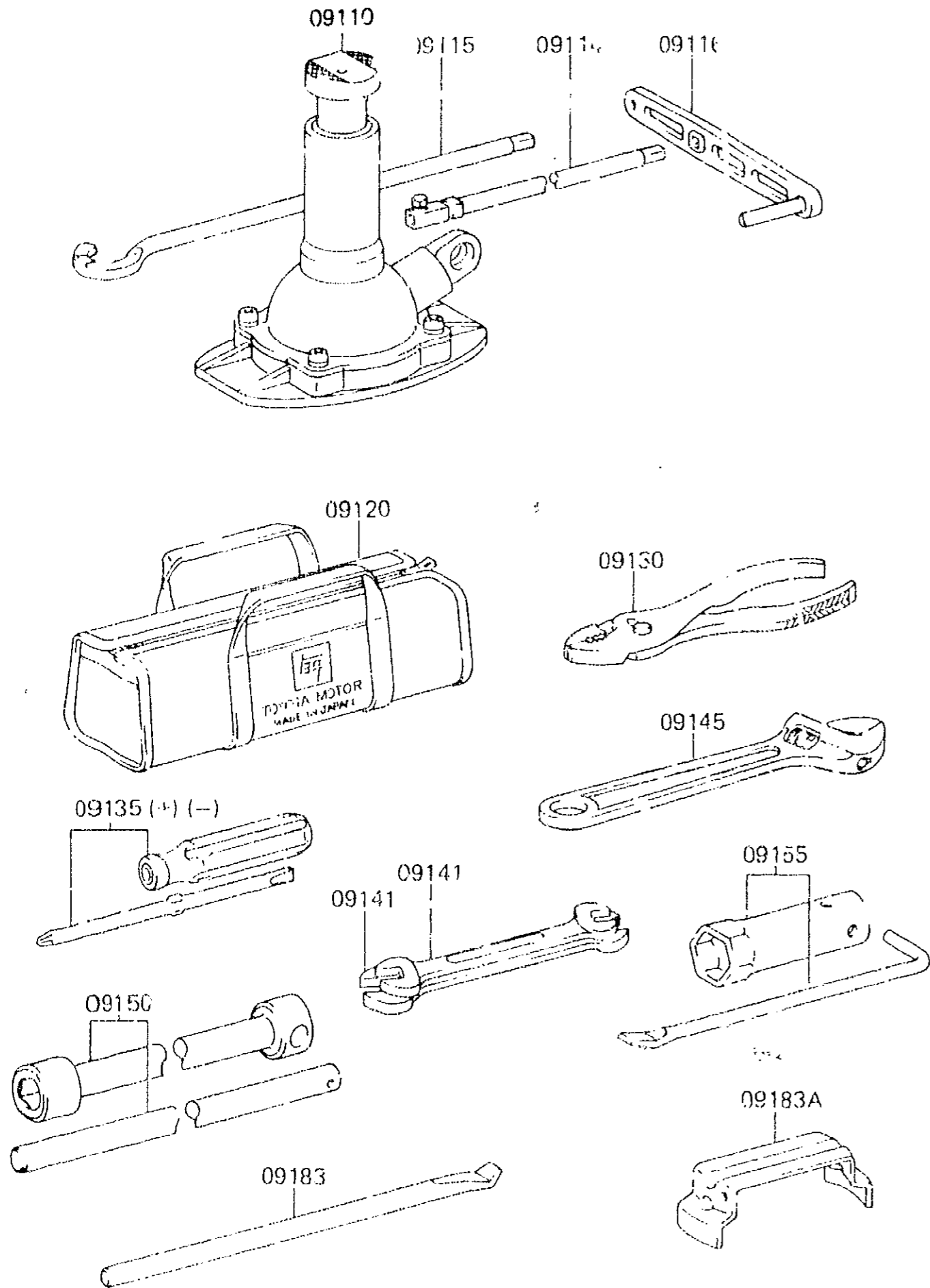


(8708-)



MT 0949.A

PROD. DATE	MODELS	DESCRIPTION	R / P	PART NUMBER	QTY.	REV. REF.	
						F	T
8708-9001	FJ62	JACK ASSY		09110-60050-	1		
						09114-60050-	2
8708-9001	FJ62	EXTENSION SUB-ASSY, JACK HANDLE		09114-60050-	2		
						09115-60030-	1
8708-9001	FJ62	ROD SUB-ASSY, JACK HANDLE		09115-60030-	1		
						09116-35041-	1
8708-9001	FJ62	LEVER, JACK HANDLE		09116-35041-	1		
						09120-60100-	1
8708-9001	FJ62	RAG, TOOL		09120-60100-	1		
						99913-11500-	1
8708-9001	FJ62	PLIERS		99913-11500-	1		
						99915-10700-	1
8708-9001	FJ62	DRIVER, SCREW		99915-10700-	1		
						99914-10810-	1
8708-9001	FJ62	SPANNER		99914-10810-	1		
						99914-11214-	1
8708-9001	FJ62	WRENCH, MONKEY	8X10	99914-10810-	1		
						99914-11214-	1
8708-9001	FJ62	WRENCH, MONKEY	12X14	99914-11214-	1		
						99911-11200-	1
8708-9001	FJ62	WRENCH, HUB NUT BOX		99911-11200-	1		
						09150-60020-	1
8708-9001	FJ62	WRENCH, SPARK PLUG		09150-60020-	1		
						09155-44010-	1
8708-9001	FJ62			09155-44010-	1		

PROD. DATE	MODELS	DESCRIPTION	R/P	PART NUMBER	QTY.	REV. REF.	
						F	T
	1 11711 CONTINUED	BEARING, CRANKSHAFT					
8708-9001	3FE..FJ62	MARK 3, NO. 1		11701-61010-03	1		
8708-9001	3FE..FJ62	MARK 4, NO. 1		11701-61010-04	1		
8708-9001	3FE..FJ62	MARK 5, NO. 1		11701-61010-05	1		
	1 13011 CONTINUED	RING SET, PISTON					
8708-9001	3FE..FJ62	STD		13011-61062-	1		
8708-9001	3FE..FJ62	O/S 0.50		13013-61062-	1		
8708-9001	3FE..FJ62	O/S 1.00		13015-61062-	1		
8708-9001	3FE..FJ62	O/S 1.50		13017-61062-	1		
	1 13041 CONTINUED	BEARING, CONNECTING ROD					
8708-9001	3FE..FJ62	MARK A	*	13041-35020-0A	6		
8708-9001	3FE..FJ62	MARK B	*	13041-35020-0B	6		
8708-9001	3FE..FJ62	MARK C	*	13041-35020-0C	6		
	1 13101 CONTINUED	PISTON SUB-ASSY, W/PIN					
8708-8801	3FE..FJ62	STD	#	13101-61031- (13101-61031-02)	6 6		
8708-8805	3FE..FJ62	O/S 1.50	#	13107-61031- (13107-61032-)	6 6		
8801-8805	3FE..FJ62	STD, MARK 1	#	13101-61031-01 (13101-61032-01)	6 6		
8801-8805	3FE..FJ62	STD, MARK 2	#	13101-61031-02 (13101-61032-02)	6 6		
8801-8805	3FE..FJ62	STD, MARK 3	#	13101-61031-03 (13101-61032-03)	6 6		
8805-9001	3FE..FJ62	MARK 1		13101-61032-01	6		
8805-9001	3FE..FJ62	MARK 2		13101-61032-02	6		
8805-9001	3FE..FJ62	MARK 3		13101-61032-03	6		

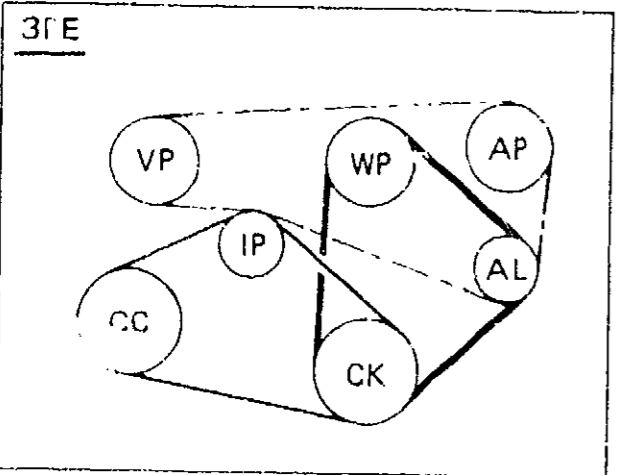
PROD. DATE	MODELS	DESCRIPTION	R/P	PART NUMBER	QTY.	REV. REF.	
						F	T
	1 13101 CONTINUED	PISTON SUB-ASSY, W/PIN					
8805-9001	3FE..FJ62	O/S 0.50		13103-61032-	6		
8805-9001	3FE..FJ62	O/S 1.00		13105-61032-	6		
8805-9001	3FE..FJ62	O/S 1.50		13107-61032-	6		
	1 13101A CONTINUED	RING, HOLE SNAP (FOR PISTON PIN)					
8708-9001	3FE..FJ62			90521-25002-	12		
	1 13201 CONTINUED	ROD SUB-ASSY, CONNECTING					
8708-9001	3FE..FJ62			13201-38011-	6		
	1 13201A CONTINUED	BUSH (FOR CONNECTING ROD SMALL END)					
8708-9001	3FE..FJ62			90999-73072-	6		
	1 13202 CONTINUED	BEARING SET, CONNECTING ROD					
8708-9001	3FE..FJ62	O/S 0.25		13204-61020-	1		
	1 13265 CONTINUED	BOLT, CONNECTING ROD					
8708-9001	3FE..FJ62			13265-39025-	12		
	1 13265A CONTINUED	NUT, HEXAGON (FOR CONNECTING ROD BOLT)					
8708-9001	3FE..FJ62			90170-10198-	12		
	1 13411 CONTINUED	CRANKSHAFT					
P 8708-8910	3FE..FJ62			13401-61021-	1		
B 8910-9001	3FE..FJ62..WGG			13401-61023-	1		
	1 13411C CONTINUED	PIN, STRAIGHT (FOR CRANKSHAFT)					
8708-9001	3FE..FJ62			90241-10017-	1		

(8708-)

PROD. DATE	JDELS	DESCRIPTION	R / P	PART NUMBER	QTY.	REV. REF.	
						F	T
8708-9001	1 16361A 3FE..FJ62	BELT, V (FOR FAN AND ALTERNATOR)		90916-02141-	1		
8708-9001	1 17610B 3FE..FJ62	BELT, V (FOR AIR PUMP)		90916-02193-	1		
8708-8808	1 88310A FJ62	BELT, V (FOR COOLER COMPRESSOR TO CRANKSHAFT PULLEY)		99332-11180-	1		
8808-3001	FJ62..WGG			99332-11175-	1		

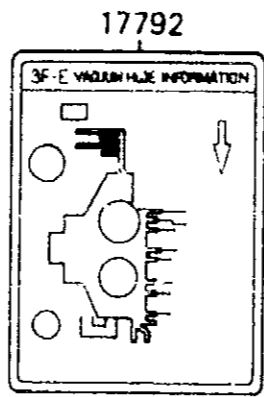
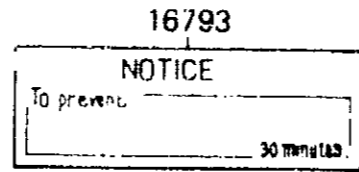
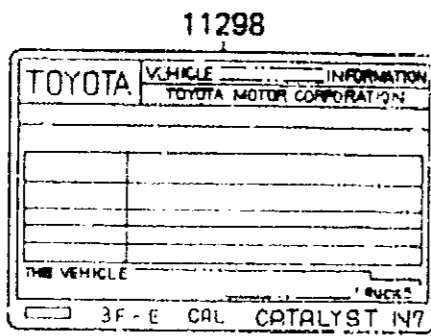
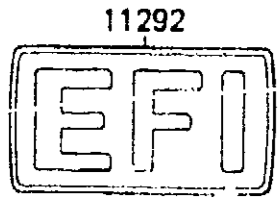
VP : Vane Pump
 AL : Alternator
 CK : Crankshaft
 CC : Cooler Compressor
 IP : Idle Pulley
 WP : Water Pump
 AP : Air Pump

	PNC		PNC
—————	16361A	-----	17610B
-----	88310A		

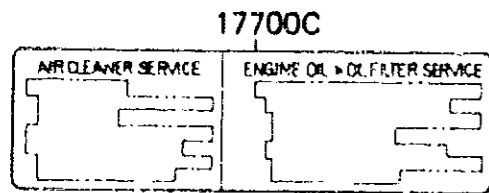


MA A059-B

(8708-)



MA A061



PROD. DATE	MODELS	DESCRIPTION	R / P	PART NUMBER	Q T Y.	REV. REF	
						F	T
		11292 PLATE, ENGINE NAME, NO.2					
8708-9001	3FE..FJ62			11292-61010-	1		
		11298 PLATE, EMISSION CONTROL INFORMATION					
8708-8808	3FE..FJ62..USA			11298-61040-	1		
8708-8808	3FE..FJ62..USA	CALIFORNIA SPEC		11298-61050-	1		
8708-8808	3FE..FJ62..CND			11298-61060-	1		
N 8808-8908	3FE..FJ62..USA			11298-61041-	1		
N 8808-8908	3FE..FJ62..USA			11298-61051-	1		
S 8808-8908	3FE..FJ62..CND			11298-61061-	1		
N 8908-9001	3FE..FJ62..WGG..USA			11298-61042-	1		
N 8908-9001	3FE..FJ62..WGG..USA	EX. EMISSION CONTROL		11298-61052-	1		
N 8908-9001	3FE..FJ62..CND			11298-61062-	1		
		16793 PLATE, FAN CAUTION					
8708-9001	3FE..FJ62			16793-61011-	1		
		17700C PLATE, AIR CLEANER CAUTION (FOR ENGINE MODEL)					
P 8708-8908	3FE..FJ62			17791-61023-	1		
B 8908-9001	3FE..FJ62..WGG			17791-61070-	1		
		17792 PLATE, ENGINE VACUUM HOSE INFORMATION					
8708-9001	3FE..FJ62			17792-61120-	1		

REVISION REFERENCE CODE LIST

A15

79143CM-00002

NOTICE

FRAME NUMBER AND VEHICLE IDENTIFICATION NUMBER

1. FRAME NUMBER MX62-123456

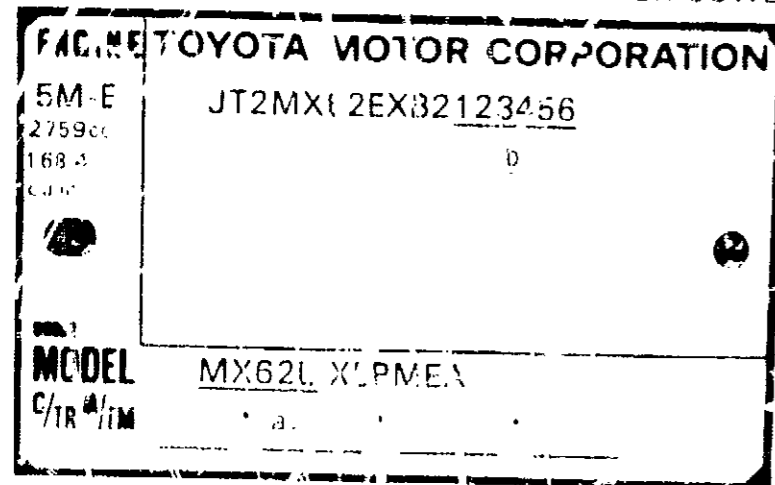
FRAME NUMBER IS GIVEN ON THE DASH COWL IN THE ENGINE ROOM FUNCTION IN TOYOTA PARTS CATALOGS LISTED IN THE REVISION REFERENCE CODE LIST TO IDENTIFY

REV. REF. CODE	ENGINE NO. OR FRAME NO.
1	MX62-123456

ENGINEERING CHANGE PERIOD AS BEFORE SO, IN LOCATING PARTS CATALOG, TAKE A LOOK AT FRAME NUMBER ON CORRESPONDING VEHICLE

2. NAME PLATE

NAME PLATE IS ATTACHED TO THE DASH COWL IN THE ENGINE ROOM. MODEL COLUMN



INDICATES FULL MODEL CODE. SO, FOR MODEL INFORMATION, REFER TO THE NAME PLATE AS BEFORE. PROCEDURE TO DETERMINE FRAME NUMBER FROM NAME PLATE IS: $a + b =$ MX62-123456

3. VEHICLE IDENTIFICATION NUMBER JT2MX62EXB2123456

VEHICLE IDENTIFICATION NUMBER IS GIVEN TO VIN PLATE ON LEFT HAND OF DASH BOARD. CERTIFICATION REGULATION PLATE ON LEFT DOOR PILLAR AND NAME PLATE

Starting Frame Number Per Each Assembly Line.
(Production from Aug. '87 up to Jan. '97)

Assembly Line	Toyota Motor Motomachi Plant (A21 - A26)
FJ62	074006 ~

REV. REF. CODE	ENGINE NO. OR FRAME NO. OR TRANS. NO.	REV. REF. CODE	ENGINE NO. OR FRAME NO. OR TRANS. NO.	REV. REF. CODE	ENGINE NO. OR FRAME NO. OR TRANS. NO.
2	FJ62-096260				
3	FJ62-096261				

GUIDE TO CONTENTS

- | | | |
|---|----------------|------------------------------------|
| 1. MODELS COVERED & CHARACTERISTICS | C 15, D 15 | (included in each fiche) |
| 2. MARK & ABBREVIATION | B 16 | (included in each fiche) |
| 3. INDEX | I 13 thru M 13 | (included in the fiche No. 4 of 4) |
| ILLUSTRATED INDEX | D 16 thru K 16 | (included in each fiche) |
| FIGURE NUMBER INDEX | L 16, M 16 | (included in each fiche) |
| 4. ILLUSTRATIONS & TEXT | From 1-A1 | (included in each fiche) |

The contents (illustrations & text) have been divided
into groups by function in the following sequence:

- Engine
- Fuel
- Power train & chassis
- Body
- Electrical

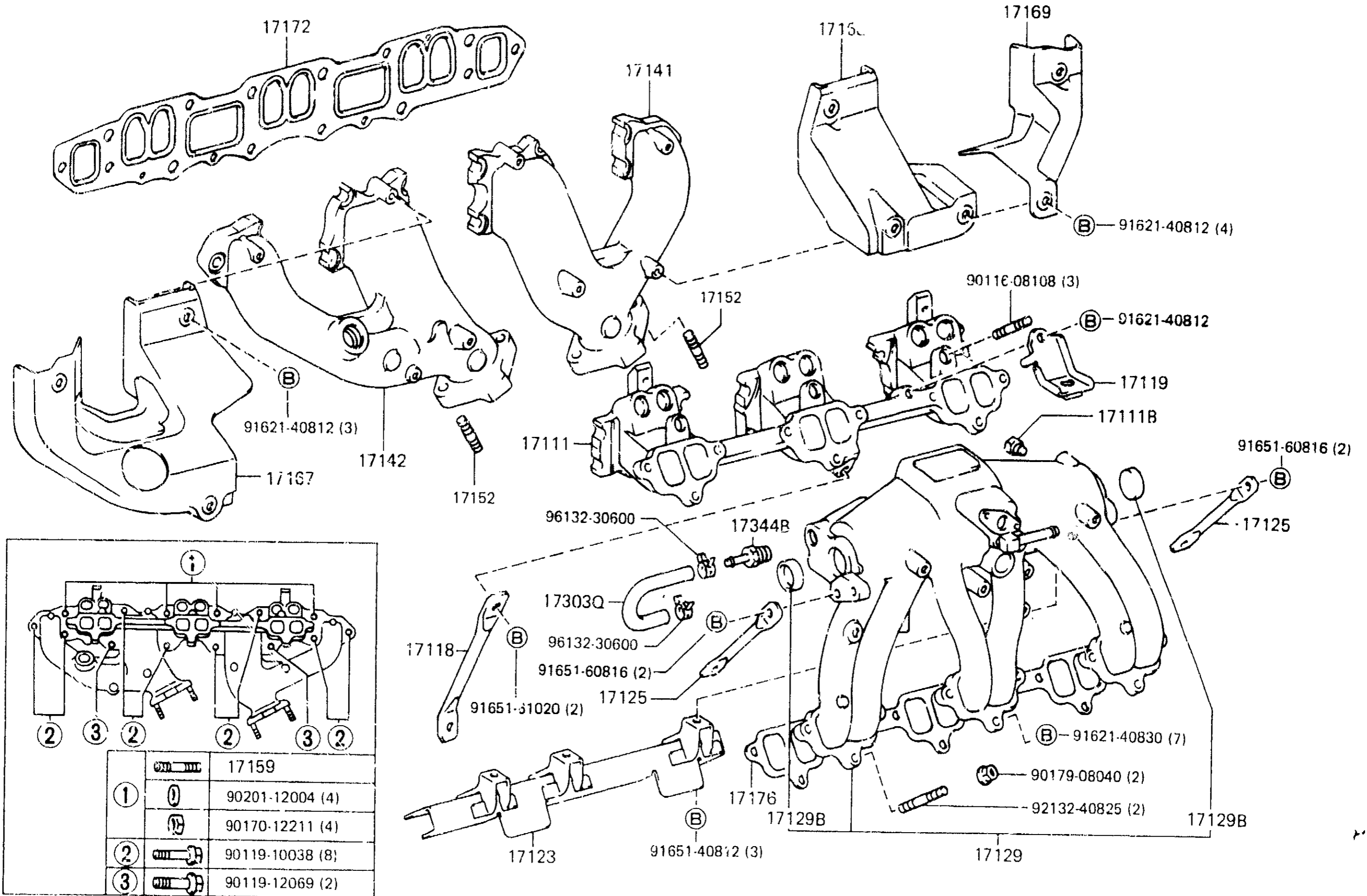
5. APPENDICES

- | | | |
|---|----------------|------------------------------------|
| PART NAME ↗ LOCATION LIST | A 12 thru H 13 | (included in the fiche No. 4 of 4) |
| PART NUMBER ↗ LOCATION LIST | A 14 thru J 14 | (included in each fiche) |
| REVISION REFERENCE CODE LIST | A 15 | (included in each fiche) |
| PRODUCTION FRAME NUMBER
REFERENCE LIST | B 15 | (included in each fiche) |

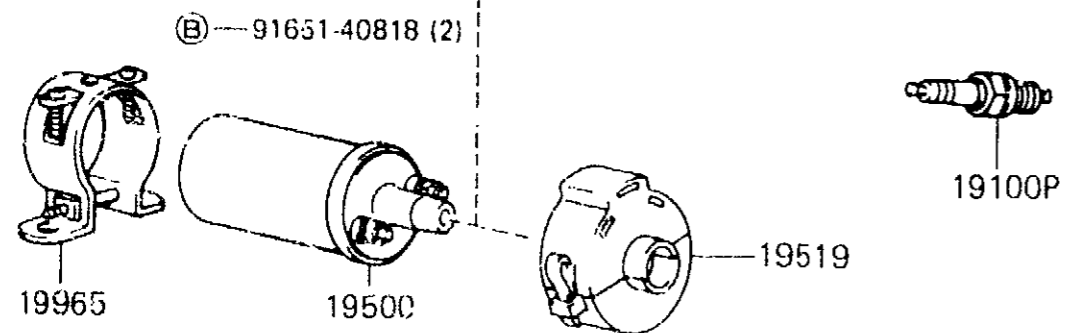
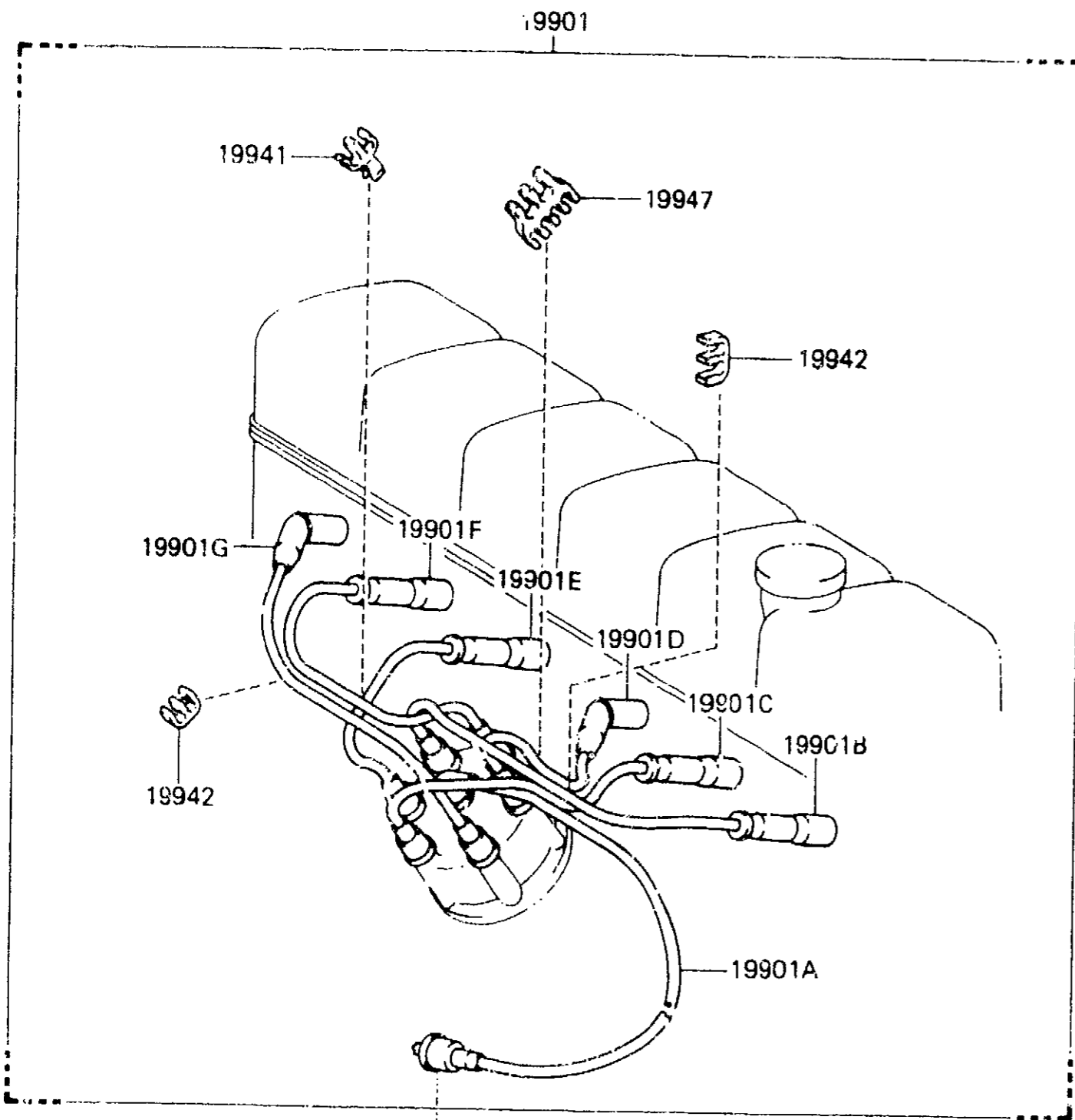
Note : SST (Special Service Tools) are not included in this parts catalog.

For related part number information can be noted in SST List, Service Bulletin
and Repair Manual.

(8708-)



(8708-)



MA 9891-B

PROD. DATE	MODELS	DESCRIPTION	R / P	PART NUMBER	Q T Y.	REV. REF	
						F	T
	1 19100P	PLUG, SPARK					
8708-9001	3FE..FJ62	W16EXR-U		90919-01064-	6		
	1 19500	COIL ASSY, IGNITION					
8708-9001	3FE..FJ62			90919-02113-	1		
	1 19519	COVER, IGNITION COIL					
8708-9001	3FE..FJ62			19519-38030-	1		
	1 19901	CORD SET, COIL AND SPARK, W/RESISTIVE					
8708-9001	3FE..FJ62			90919-21410-	1		
	1 19901A	CORD, COIL RESISTIVE					
8708-8809	3FE..FJ62			90919-13271-	1		
A 8809-9001	3FE..FJ62..WGG			90919-13328-	1		
	1 19901B	CORD, SPARK PLUG RESISTIVE, NO.1					
8708-8809	3FE..FJ62			90919-12747-	1		
A 8809-9001	3FE..FJ62..WGG			90919-12951-	1		
	1 19901C	CORD, SPARK PLUG RESISTIVE, NO.2					
8708-8809	3FE..FJ62			90919-12748-	1		
A 8809-9001	3FE..FJ62..WGG			90919-12952-	1		
	1 19901D	CORD, SPARK PLUG RESISTIVE, NO.3					
8708-8809	3FE..FJ62			90919-12745-	1		
A 8809-9001	3FE..FJ62..WGG			90919-12949-	1		
	1 19901E	CORD, SPARK PLUG RESISTIVE, NO.4					
8708-8809	3FE..FJ62			90919-12746-	1		

PART NUMBER	LOCATION	PART NUMBER	LOCATION	PART NUMBER	LOCATION	PART NUMBER	LOCATION	PART NUMBER	LOCATION	PART NUMBER	LOCATION
16363-61020-	1K2	B 17791-61070-	1A4	25770-61020-	1M4	33502-60040-	2A1	35222-60010-	2A3	35481-36012-	2I2
16381-61050-	1K2	17792-61120-	1A4	27060-61090-	1E4	33503-60020-	2A1	35223-36010-	2A3	35482-60020-	2I2
16334-61010-	1K2	17801-68020-	1F3	21212-39050-	1E4	33511-60060-	2A1	35226-36010-	2A3	35483-60010-	2I2
16400-61140-	1K2	17810-61010-	1M3	77310-72070-	1E4	33542-30110-01	2A1	-36011-	2A3	35484-60011-	2I2
16401-71010-	1L2	17841-68010-	1F3	27312-45010-	1E4	-30110-36	2A1	35231-36010-	2A3	35485-60010-	2J2
16405-61030-	1L2	17845-61011-	1F3	27330-72070-	1E4	33555-60040-	2A1	35303-60010-	2A3	35486-36010-	2J2
-90A00-	1L2	17881-61090-	1F3	27351-38051-	1E4	33623-30040-56	2A1	35308-36010-	2F1	35487-36010-	2J2
16417-24200-	1L2	17882-61070-	1F3	27359-61190-	1F4	33625-22020-	2B1	35313-36010-	2F1	35488-60010-	2F3
16418-24200-	1L2	17883-61020-	1G3	27362-72070-	1F4	33631-60020-	2B1	35321-36010-	2F1	35489-36010-	2G3
16480-90A00-	1L2	A 18450-61010-	1E3	27371-31011-	1F4	33711-60040-	2B1	-36020-	2F1	35491-36010-	2G3
16571-61110-	1L2	-61040-	1E3	27372-31011-	1F4	33723-22010-	2B1	35322-36010-	2F1	35492-36010-	2G3
16572-61020-	1L2	18495-38020-	1E7	27410-72070-	1F4	33789-36010-	2B6	-36020-	2F1	35495-36010-	2F1
16573-61040-	1L2	P 19000-61350-	1C1	27411-51210-	1F4	34101-60010-	2K1	35339-36010-	2A3	35497-36010-	2G3
16577-61130-	1L2	-61351-	1C1	27412-45012-	1F4	34421-36010-	2M2	35394-30011-	2I1	35498-36010-	2G3
16582-61010-	1L2	N 19100-61240-	1D4	27441-45050-	1F4	34001-36010-	2K1	35395-36010-	2I2	35501-36010-	2J3
16583-61010-	1L2	19101-61240-	1D4	27700-63030-	1F4	34602-36010-	2K1	35396-36010-	2A3	35505-36010-	2J3
16584-61010-	1L2	19102-61240-	1D4	27790-13010-	3H9	34613-36010-	2L1	35405-36010-	2A3	-36020-	2J3
16585-61010-	1M2	19114-61040-	1D4	28011-26042-	1G4	34710-36010-	2L1	35408-36010-	2A3	35519-60030-	3M6
16586-61010-	1M2	19115-50010-	1D4	28100-60070-	1G4	34713-36010-	2L1	35409-36010-	2B3	35520-60050-	2J3
16611-61020-	1M2	19127-61240-	1D4	28110-60070-	1G4	34731-36010-	2L1	35415-36010-	2B3	35556-60010-	2J3
16630-61020-	1K1	19195-61240-	1D4	28120-26071-	1G4	34732-36010-	2L1	35416-36010-	2B3	35557-36010-	2J3
16711-61240-	1M2	19242-61240-	1D4	28130-34060-	1G4	34737-36010-	2L1	35417-36010-	2B3	35560-36011-	2G3
-61241-	1M2	19519-38030-	1B4	28140-26070-	1G4	34738-36010-	2L1	35418-36010-	2B3	35561-60010-	2J3
16793-61011-	1A4	22202-61011-	1J4	28150-34080-	1G4	35000-60167-	2D1	35419-36010-	2B3	35569-60040-	2B1
17109-61010-	1C3	22210-61010-	1J4	28160-26070-	1G4	-60167-	2D1	35420-60030-	2B3	35572-60020-	2J3
17111-61040-	1C3	22216-74010-	1J4	28165-26040-	1H4	35013-60011-	2G1	35422-22010-	2B3	35589-36010-	2G3
17118-61030-	1C3	22233-61010-	1J4	28228-26040-	1H4	35015-60010-	2G1	-36010-	2B3	35595-36010-	2J3
17123-61010-	1C3	22250-61010-	1G3	28229-26040-	1H4	-60011-	2G1	35423-36010-	2B3	35599-36010-	2H3
17125-61010-	1C3	22270-61010-	1J4	28253-45020-	1G4	35017-60010-	2G1	35424-36010-	2B3	35602-36010-	2I2
17139-61010-	1C3	22271-61010-	1K4	28254-45020-	1H4	35019-60010-	2G1	35425-22010-	2C3	35606-36010-	2A2
17141-61080-	1C3	22275-43010-	1G3	28800-61030-	3K8	35035-36010-	2E1	-36010-	2C3	35608-36010-	2D2
17142-61050-	1C3	22278-43011-	1K4	28897-38010-	3K8	35068-36010-	2F2	35427-36010-	2F1		2K1
17167-61070-	1C3	23091-61010-	1K4	28898-26010-	3K8	35073-60010-	2G2	35428-60020-	2C3	35615-36010-	2A2
17168-61030-	1C3	23206-61010-	1K4	31478-30010-	2H8	35103-60011-	2G1	35429-36010-	2C3		2A2
17169-61040-	1C3	23207-74010-	1K4		2K8	-60012-	2G1	35430-60090-	2C3	35617-36010-	2F1
17172-61060-	1C3	23208-61010-	1K4	P 32000-60030-	2E1	35104-60010-	2G1	35432-60030-	2C3	-36020-	2E1
17176-61010-	1C3	23217-35040-	1K4	-60031-	2E1	-60011-	2G1	-60040-	2B1		2M1
17301-61010-	1I3	-35081-	1K4	-60040-	2E1	35106-60041-	2H1	35433-36010-	2C3	35621-36010-	2D2
17303-61020-	1M3	P 23220-16083-	1K4	P 32101-60010-	2E1	-60043-	2H1	35434-36010-	2C3		2L1
17306-61030-	1J3	-16190-	1K4	B -60011-	2E1	35111-60010-	2H1	35435-36011-	2C3	35623-36010-	2F2
17314-61040-	1H3	23229-16010-	1K4	P 32116-60010-	2E1	35112-36010-	2M2	35436-36011-	2C3	35631-36010-	2A2
17317-61020-	1K2	23232-28010-	1K4	B -60011-	2E1	35113-36010-	2M2	35437-36011-	2C3	35632-36010-	2D2
17318-61060-	1H3	23239-16010-	1K4	P 32117-60010-	2E1	35114-36010-	2M2	35438-60020-	2C3		2M1
17341-61030-	1I3	23249-74150-	1K4	B -60011-	2F1	35115-36010-	2M2	35440-60011-	2C3	-36020-	2F2
17342-61040-	1I3	23260-69025-	1K4	32904-60012-	2K3	35116-60010-	2H1	35444-36010-	2C3	35633-36010-	2D2
17343-61030-	1I3	23280-61010-	1K4	32905-60012-	2K3	35117-60010-	2H1	35445-36010-	2D3		2M1
17344-61020-	1I3	23280-61010-	1K4	32906-60012-	2K3	35118-60010-	2H1	35451-36010-	2D3		2B2
17344-61020-	1I3	23291-73010-	1L4	32906-60012-	2K3	35136-60010-	2H1	35452-36010-	2D3		2M1
17353-61010-	1J3	23293-74010-	1L4	32923-36010-	2K3						
17401-61210-	1E3	23300-69025-	1L4	32924-60011-	2K3	35138-60010-	2H1	35454-36010-	2D3	-36030-	2F2
17402-61010-	1E3	23801-61030-	1L4	32925-60030-	2K3	35143-36010-	2H1	35455-36010-	2D3	35634-36010-	2B2
17403-61110-	1E3	23802-61040-	1L4	32926-30020-	2L3	35144-36010-	2H1	35456-36010-	2E3		2M1
17405-61240-	1E3	23803-61010-	1L4	32928-60011-	2L3	35146-36010-	2I2	35458-36010-	2E3	-36020-	2B2
17502-61021-	1E3	23807-61010-	1L4	32942-60010-	2L3	35167-60011-	2H1	35459-36010-	2E3	-36040-	2B2
17567-61030-	1E3	25611-61050-	1M4	-60030-	2L3	-60012-	2H1	35462-36010-	2E3	-36050-	2B2
17571-61160-	1E3	25620-61110-	1M4	32943-60010-	2I3	35168-36010-	2I1	35463-36010-	2E3	35651-36010-	2B2
17572-61051-	1E3	25627-61010-	1M4	33309-60041-	2A4	35182-36010-	2H1	35464-36011-	2E3	35654-36010-	2B2
17573-61051-	1E3	25631-61040-	1M4	-60070-	2A4	35211-36010-	2M2	35466-60010-	2E3	35671-36010-	2F2
17574-61050-	1E3	25691-61020-	1A5	33325-60010-	2A4	-36011-	2M2	35467-36010-	2F3	35672-36010-	2B2
-61071-	1E3	25695-61010-	1M4	-60021-	2A4	35212-36010-	2A3	35468-36011-	2F3	35675-36010-	2B2
17610-61040-	1H3	25702-61010-	1M3	A 33403-69195-	2J1	35213-36010-	2A3	35472-36011-	2F3		2L1
17692-61020-	1M3	25710-61030-	1J3	33404-30040-	2J1	35215-36010-	2A3	35476-36010-	2F3	-36020-	2B2
17700-61230-	1F3	25716-61020-	1J3	33481-60050-	2D4	35216-36010-	2A3	35477-30030-	2F3	-36030-	2B2
17705-61130-	1F3	25820-13020-	1M3	-60051-	2D4	35219-30010-	2A3	35479-36010-	2F3	-36040-	2B2
P 17791-61023-	1A4	25860-61010-	1M3	33485-30020-	2J1	-60011-	2A3	35481-36011-	2I2	35676-36010-	2D2

B15

LAND CRUISER Station Wagon U. S. A.
PRODUCTION FRAME NUMBER REFERENCE LIST

Applicable Model	Production Date	8701	8702	8703	8704	8705	8706	8707	8708	8709	8710	8711	8712
	Assembly Line												
FJ62	TMC Honsya Plant								074039	074076	0077221	0079169	0081050

Applicable Model	Production Date	8801	8802	8803	8804	8805	8806	8807	8808	8809	8810	8811	8812
	Assembly Line												
FJ62	TMC Honsya Plant	0083764	0086005	0088379	0090616	0092239	0093490	0094801	0096292	0097372	0098711	0100682	0102775

Applicable Model	Production Date	8901	8902	8903	8904	8905	8906	8907	8908	8909	8910	8911	8912
	Assembly Line												
FJ62	TMC Honsya Plant	0104336	0105696	0107184	0109030	0110721	0111941	0113601	0115125	0116480	0117954	0119300	0120950

MARK & ABBREVIATION LIST

B16

(1) Abbreviations Under Heading MODELS in Text

Heading	Mark	Definition
MODELS	..	Among
	,	And
	+	And (Plus)
	--	Excluded (minus)
	#	All series

(2) Abbreviations Under Heading "R/P and QTY" in Text

Heading	Mark	Definition
R/P	=	Old parts number (Old)
	*	Modified old parts number which has been substituted by a multiple of parts and/or if substituted parts are specified by applicable models or other determining specifications, refer to SUPPLEMENTARY SUPPLY PARTS LIST (S.S.P.L.) for detailed information.
	□	New main part number of set substitution (New)
	•	Part number to be attached to main part (New)
	X	Number of previously supplied but currently non-supplied parts
QTY	33	Required quantity
	X	Required quantity
	Y	More than 100 units
DESCRIPTION	XXX	Number of old type parts, the supply of which will be discontinued after the lapse of a certain period
	(TRIM ●)	Trim code whose third digit is ●

(3) CHANGES TO TEXT & APPENDICES

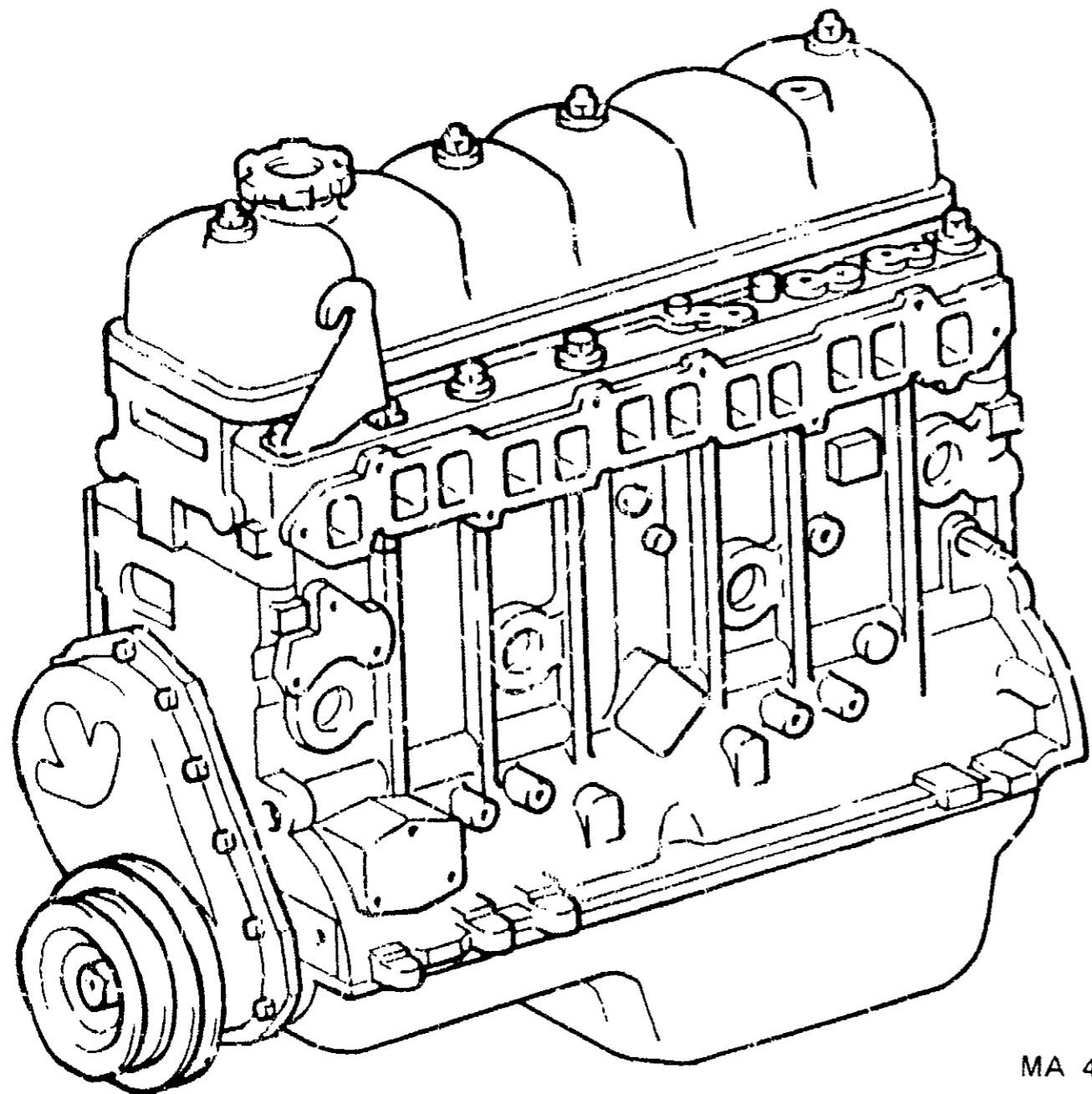
Certain codes are used to indicate changes to the text and/or appendix.

These codes appear in the marginal area of the affected page as follows:

CODE	LOCATION	EXPLANATION
C	Text	Changes of Parts Number, Model and Production Date.
B		Data with a changed part number
A		Data with a changed application model
P		Data with a changed year system (beginning end)
N	Text & Appendix	Newly available Toyota Part Number.
S	Text & Appendix	Part application expanded to include other vehicle model(s)

(8708-)

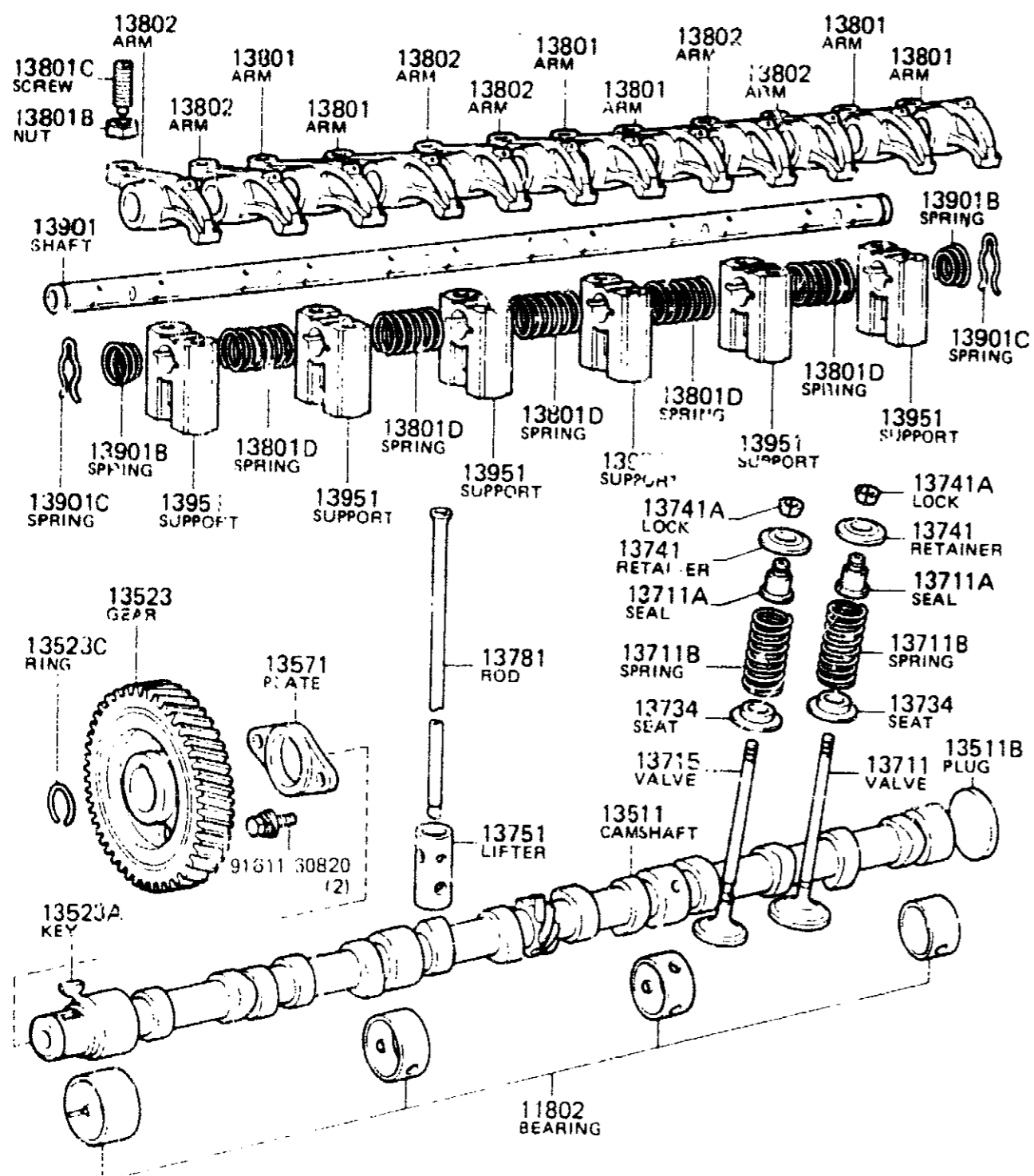
11000



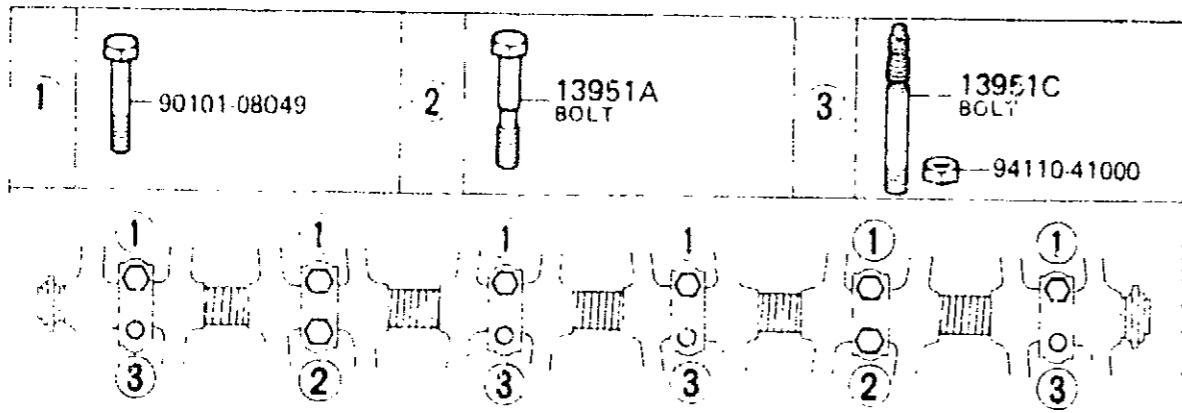
MA 4674

PROD. DATE	MODELS	DESCRIPTION	R / P	PART NUMBER	Q T Y.	REV. REF	
						F	T
	11000	ENGINE ASSY. PARTIAL					
P 8708-8910	3FE..FJ62			19000-61350-	1		
N 8910-9001	3FE..FJ62			19000-61351-	1		

(8708-)



PROD. DATE	MODELS	DESCRIPTION	R / P	PART NUMBER	Q T Y.	REV. REF	
						F	T
	1 11802	BEARING SET, CAMSHAFT					
8708-9001	3FE..FJ62	STD		11802-61010-	1		
8708-9001	3FE..FJ62	U/S 0.25		11804-61010-	1		
8708-9001	3FE..FJ62	U/S 0.50		11805-61010-	1		
	1 13511	CAMSHAFT					
8708-9001	3FE..FJ62			13511-60060-	1		
	1 13511B	PLUG, EXPANSION (FOR CAMSHAFT)					
8708-9001	3FE..FJ62			90331-48010-	1		
	1 13523	GEAR OR SPROCKET, CAMSHAFT TIMING					
8708-9001	3FE..FJ62			13523-61010-	1		
	1 13523A	KEY, WOODRUFF (FOR TIMING GEAR)					
8708-9001	3FE..FJ62			90280-05010-	1		
	1 13523C	RING, SNAP CAMSHAFT (FOR TIMING GEAR)					
8708-9001	3FE..FJ62			90520-29051-	1		
	1 13571	PLATE, CAMSHAFT THRUST					
8708-9001	3FE..FJ62			13571-61010-	1		
	1 13711	VALVE, INTAKE					
8708-9001	3FE..FJ62			13711-61010-	6		
	1 13711A	SEAL OR RING, O (FOR VALVE STEM OIL)					
8708-9001	3FE..FJ62			90913-02048-	12		
	1 13711B	SPRING, COMPRESSION (FOR INNER)					
8708-9001	3FE..FJ62			90501-45342-	12		



MA 4796 C

PROD. DATE	MODELS	DESCRIPTION	R / P	PART NUMBER	Q T Y.	REV. REF	
						F	T
8708-9001	1 17111 MANIFOLD, INTAKE 3FE..FJ62			17111-61040-	1		
8708-9001	1 17111B PLUG, NO.2 3FE..FJ62			# 90345-51025- (90345-51006-)	1		
8708-9001	1 17118 STAY, MANIFOLD 3FE..FJ62			17118-61030-	1		
8708-9001	1 17119 STAY, MANIFOLD, NO.2 3FE..FJ62			17139-61010-	1		
8708-9001	1 17123 COVER, SURGE TANK 3FE..FJ62			17123-61010-	1		
8708-9001	1 17125 STAY, SURGE TANK, NO.1 3FE..FJ62			17125-61010-	2		
8708-9001	1 17129 TANK, INTAKE AIR SURGE 3FE..FJ62			17109-61010-	1		
8708-9001	1 17129B PLUG 3FE..FJ62			95411-43000-	2		
8708-9001	1 17141 MANIFOLD, EXHAUST 3FE..FJ62			17141-61080-	1		
8708-9001	1 17142 CASE, EXHAUST MANIFOLD, NO.2 3FE..FJ62			17142-61050-	1		

PROD. DATE	MODELS	DESCRIPTION	R / P	PART NUMBER	Q T Y.	REV. REF	
						F	T
B 8708-9001	1 17152 BOLT, STUD (FOR MANIFOLD TO EXHAUST PIPE) 3FE..FJ62			90116-10087-	4		
8708-9001	1 17159 BOLT, STUD (FOR MANIFOLD TO CYLINDER HEAD) 3FE..FJ62			90116-12011-	4		
8708-9001	1 17167 INSULATOR, EXHAUST MANIFOLD HEAT, NO.1 3FE..FJ62			17167-61070-	1		
8708-9001	1 17168 INSULATOR, EXHAUST MANIFOLD HEAT, NO.2 3FE..FJ62			17168-61030-	1		
8708-9001	1 17169 INSULATOR, EXHAUST MANIFOLD HEAT, NO.3 3FE..FJ62			17169-61040-	1		
8708-9001	1 17172 GASKET, MANIFOLD TO CYLINDER HEAD 3FE..FJ62			17172-61060-	1		
8708-9001	1 17176 GASKET, AIR SURGE TANK TO INTAKE MANIFOLD 3FE..FJ62			17176-61010-	1		
8708-9001	1 173030 HOSE (FOR PIPE TO UNION) 3FE..FJ62 L=200			95333-06020-	1		
8708-9001	1 17344B UNION (FOR AIR HOSE) 3FE..FJ62			90404-54035-	1		

PART NUMBER	LOCATION	PART NUMBER	LOCATION	PART NUMBER	LOCATION	PART NUMBER	LOCATION	PART NUMBER	LOCATION	PART NUMBER	LOCATION
B 35676-36010-	2L1	36143-60020-	2B4	41201-69166-	2C5	41451-60010-	2E5	42538-60010-	2B6	44313-12040-	2E7
-36020-	2D2	-60030-	2B4		2E6		2G6	42540-60010-	2B6	-12050-	2E7
-36030-	2D2	36144-60020-	2B4	41204-60030-	2C5	P 41453-60010-	2E5	42541-60010-	2B6	-22040-	2E7
-36040-	2D2	36152-60030-	2B4		2E6	P 41453-60010-	2G6	42550-60010-	2B6	-22050-	2E7
-36070-	2F2	36164-60040-	2H4	41214-26010-	2C5	S -60011-	2E5	42560-60011-	2B6	-22060-	2E7
-36080-	2F2	36212-60090-	2D4		2E6		2G6	42562-60010-	2B6	-22070-	2E7
-36090-	2F2	36215-60030-	2D4	41226-35010-	2C5	41456-60010-	2E5	A 42601-60221-	2K5	-22080-	2E7
35701-60010-	2B2	36221-60090-	2D4		2E6		2G6	42603-35080-	2K5	44320-60090-	2E7
35706-60011-	2E2	36222-60020-	2D4	P 41231-60020-	2C5	41460-60010-	2E5	-60012-	2K5	44325-12010-	2E7
35709-36010-	2E2	36225-60050-	2D4	P -60030-	2E6		2G6	-60052-	2K5	-12020-	2E7
35712-36010-	2C2	36231-60050-	2D4	B	2C5	41464-60010-	2F5	B 42652-60060-	2L5	-12030-	2E7
	2L1	36234-60031-	2E4	B	2F6		2G6	43110-60144-	2H6	-12040-	2E7
35713-36011-	2G2	36235-60020-	2E4	41252-35010-	2C5	41465-60010-	2F5	-60211-	2H6	-12050-	2E7
35719-60010-	2E2	36237-60020-	2E4		2F6		2G6	43204-60020-	2E9	44330-30100-	2E7
35720-60010-	2G2	36241-60080-	2D4	P 41301-60020-	2D5	41466-60010-	2F5	43209-60011-	2H6	-30110-	2E7
35735-36010-	2J2	36242-60130-	2E4	P	2H6		2H6	43211-60050-	2E9	-30120-	2E7
35737-36010-	2G2	36251-60030-	2E4	S -60021-	2D5	41467-60020-	2F5	43212-60050-	2E9	-30130-	2E7
35738-60010-	2H2	36303-60130-	2F4	S	2H6	41991-60030-	2F5	43232-35010-	2E9	-30140-	2E7
35743-60010-	2H2	36307-60040-	2F4	B 41311-60070-	2D5	-60040-	2F5	43230-60011-	2E9	-30150-	2E7
35748-36010-	2H2	36308-60100-	2F4	B	2H6	42109-60050-	2F5	43234-60011-	2F9	44341-12010-	2F7
35760-60010-	2H2	36311-60041-	2F4	41315-30010-	2D5	42110-60193-	2F5	43235-60010-	2F9	44343-12040-	2F7
35761-60010-	2H2	36312-60040-	2F4		2F6	-60301-	2F5	43236-60010-	2F9	44345-12010-	2F7
35762-60010-	2H2	36313-60070-	2G4	41316-30010-	2D5	42137-55010-	2F5	43237-60030-	2F9	-12020-	2F7
35785-36010-	2E2	36314-60040-	2G4	B 41331-25010-	2G6	42101-36010-	2F5	43238-60010-	2F9	-12030-	2F7
	2M1	36324-60050-	2G4	B	2D5		2H6	43239-60020-	2F9	-12040-	2F7
35789-36010-	2M1	36327-60031-	2G4	B	2F6	P -60030-	2F5	P 43401-60012-	2F9	-12050-	2F7
-36020-	2B2	36337-60080-	2H4		2D5	42183-35010-	2F5	S -60060-	2F9	44391-14010-	2F7
	2M1	36338-60030-	2G4	-35020-	2F6	42306-60051-	2G5	43405-60016-	2J6	44410-60100-	2G7
-36040-	2F1	36343-60010-	2H4	-60020-	2D5	P 42311-60060-	2I5	P 43411-60020-	2J6	44416-60061-	2G7
-36050-	2F1	-60040-	2H4		2F6	N -60061-	2I5	N -60060-	2J6	44443-60050-	2G7
-36060-	2F1	36360-60220-	2G4	B 41341-25010-	2E5	-60080-	2I5	43412-35010-	2J6	44446-60020-	2G7
-36070-	2M1	36362-60020-	2G4	B	2F6	P 42312-60050-	2I5	-60050-	2J6	44605-30350-	2G8
-36090-	2A2	36369-60050-	3M6	-55012-	2D5	N -60051-	2I5	43422-60020-	2J5	44608-17090-	2G8
	2B2	36409-60040-	2J6		2F6	-60060-	2I5		2K6	44609-17090-	2G8
	2H2	36410-60030-	2H4	B 41342-55010-	2E5	42323-60010-	2K6	43435-60011-	2F9	44610-60530-	2G8
-36100-	2C2	36416-36010-	2H4	B	2F6	-60020-	2F9	43436-60011-	2F9	44624-20810-	2G8
-36110-	2C2	36422-36010-	2H4		2E5	42325-55010-	2I5	43502-60020-	2K6	44628-20810-	2G8
-36120-	2C2	36482-60100-	2J6	-60010-	2F6	A 42411-60011-	2I5	43509-60015-	2K6	44632-27290-	2G8
-36130-	2C2	36486-60010-	2H4	-60020-	2E5	A 42419-60011-	2J5	43512-60040-	2L6	44633-20811-	2G8
-36140-	2C2	36726-60020-	2E4		2F6	A 42420-60110-	2J5	43521-60011-	2L6	44637-20810-	2G8
35790-36010-	2H2	37110-60410-	2K4	P 41343-55010-	2E5	42427-60021-	2J5	43530-69017-	2L6	44645-10080-	2G8
35791-36010-	2L1	37140-60200-	2K4	P	2F6	42428-60011-	2J5	43531-60010-	2L6	44651-20510-	2G8
35847-36010-	2H3	37302-36020-	2L4	-60010-	2E5	42431-60020-	2I5	43532-60010-	2L6	44673-20610-	2G8
35893-36010-	2H3	-60050-	2L4	B -60030-	2E5	42441-30010-	2J5	44104-22011-	2J7	44730-24020-	2G8
35906-60050-	2B1	37305-36020-	2L4	B	2G6	42443-55020-	2J5	44105-30060-	2J7	44758-60030-	2G8
35921-60030-	2B1	-60010-	2L4	41344-35010-	2E5	42506-60010-	2A6	44107-60060-	2K7	44772-60050-	2G8
35971-60030-	2B1	37315-36020-	2L4	41345-35010-	2E5	42511-60010-	2A6	44108-60010-	2K7	44773-60030-	2G8
35972-60020-	2B1	37402-10020-	2A7	41346-35010-	2E5	42512-60010-	2A6	44110-60060-	2K7	44785-35020-	2G8
35974-60030-	2B1	-36080-	2L4	41347-35010-	2E5	42513-60010-	2A6	44111-60040-	2K7	44786-60040-	2B9
35975-60020-	2B1	B 38628-60010-	2C1	41348-35010-	2E5	42514-60010-	2A6	44115-30040-	2K7	45021-60020-	2M6
-60030-	2B1	S 41101-60041-	2B5	B 41351-25010-	2E5	42515-60010-	2A6	44116-30040-	2K7	P 45044-69055-	2L7
35976-60020-	2B1	S	2E6	B	2G6	42516-60010-	2A6	44120-60130-	2L7	N -69056-	2L7
35989-60020-	2C1	P -60080-	2B5		2E5	42517-60010-	2A6	44142-22010-	2K7	A 45045-69045-	2L7
36103-60160-	2A4	P	2E5		2G6	42518-60010-	2A6	-22020-	2L7	S -69046-	2L7
36110-6A790-	2M3	41110-60110-	2C5	41361-60010-	2E5	42521-60010-	2A6	44302-14010-	2D7	P 45046-69115-	2L7
36119-60010-	2B4		2E6		2G6	42522-60010-	2A6	44304-60021-	2D7	N -69116-	2L7
-60020-	2F4	-60111-	2B5	-60020-	2E5	42523-60010-	2A6	44305-30020-	2D7	P 45047-69065-	2L7
-60030-	2B4	-60230-	2E6	-60030-	2G6	42531-60030-	2A6	44306-60070-	2F7	N -69066-	2L7
36122-60040-	2B4		2B5	-60030-	2E5	42532-60030-	2B6	44308-35030-	2D7	45081-22020-	2M6
36124-60020-	2B4		2E6	-60030-	2G6	42533-60010-	2E6	44311-60010-	2D7	45082-60010-	2M6
36128-60021-	2F4	-60231-	2B5	-60040-	2E5	42534-60030-	2B6	44312-12010-	2E7	P 45100-60140-03	2H7
36132-60020-	2B4		2E6		2G6	42535-60010-	2B6	44313-12010-	2E7	P -60140-06	2H7
36134-60020-	2B4	41114-60010-	2C5	41375-60010-	2E5	42537-60010-	2B6	-12020-	2E7	45105-60040-	2H7
36142-60030-	2B4		2E6		2G6	-60020-	2B6	-12030-	2E7	P 45130-60101-03	2H7

1. MODELS COVERED & CHARACTERISTICS

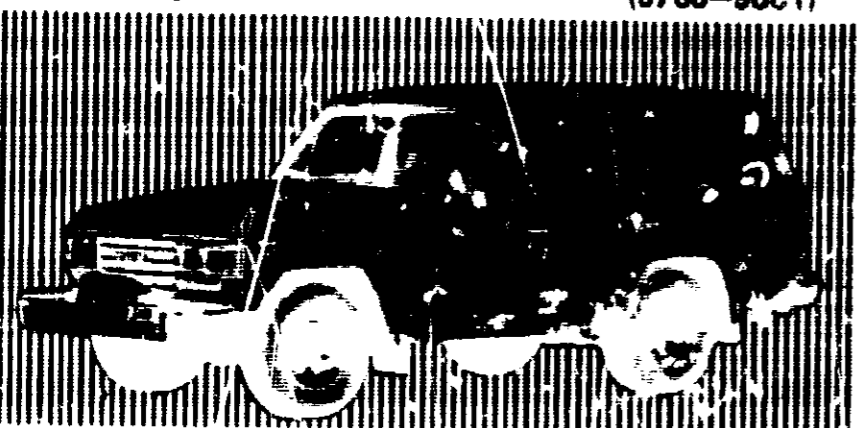
Vehicle Appearance

C15

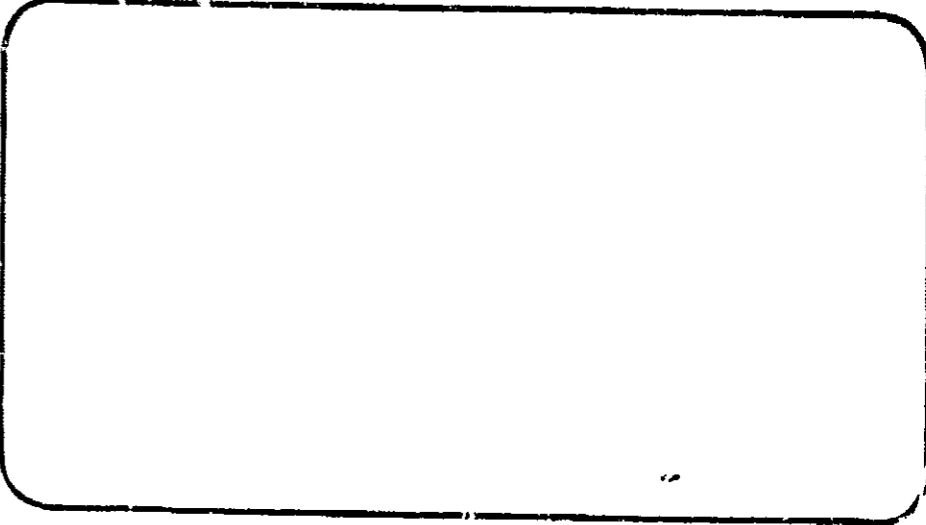
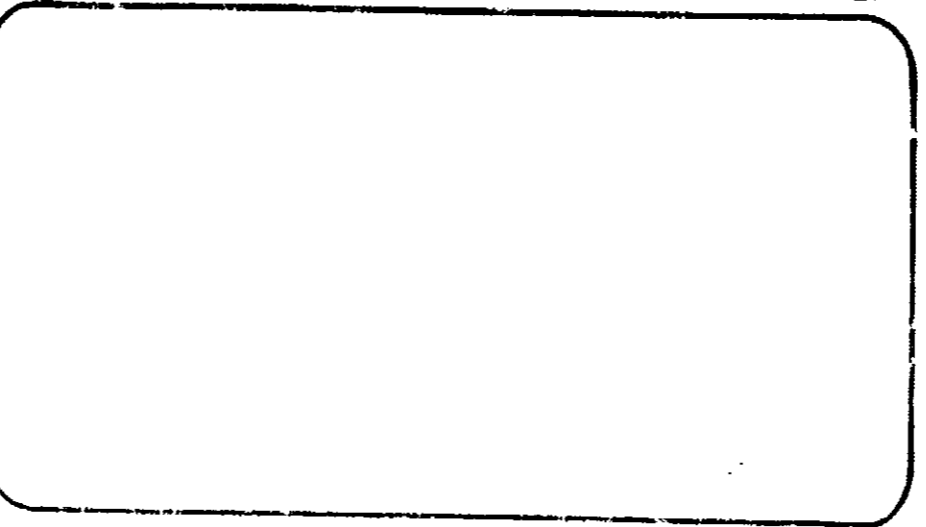
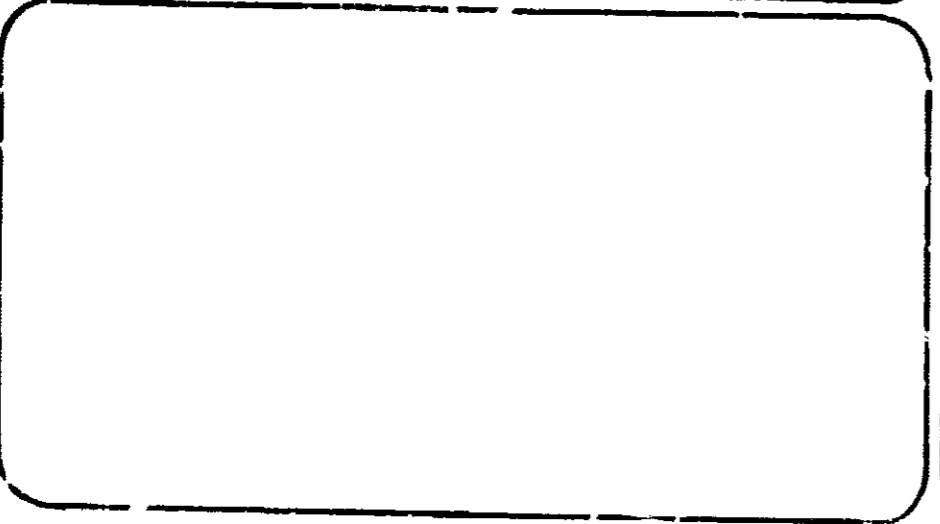
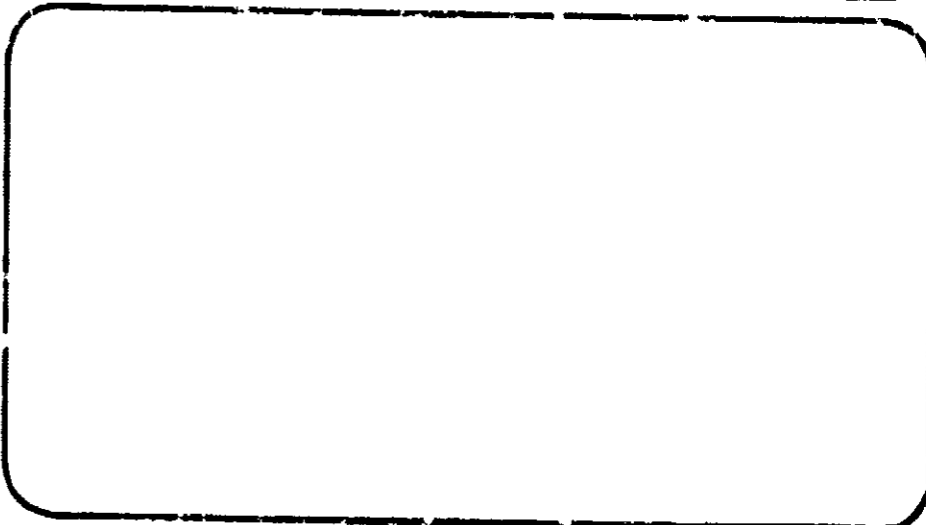
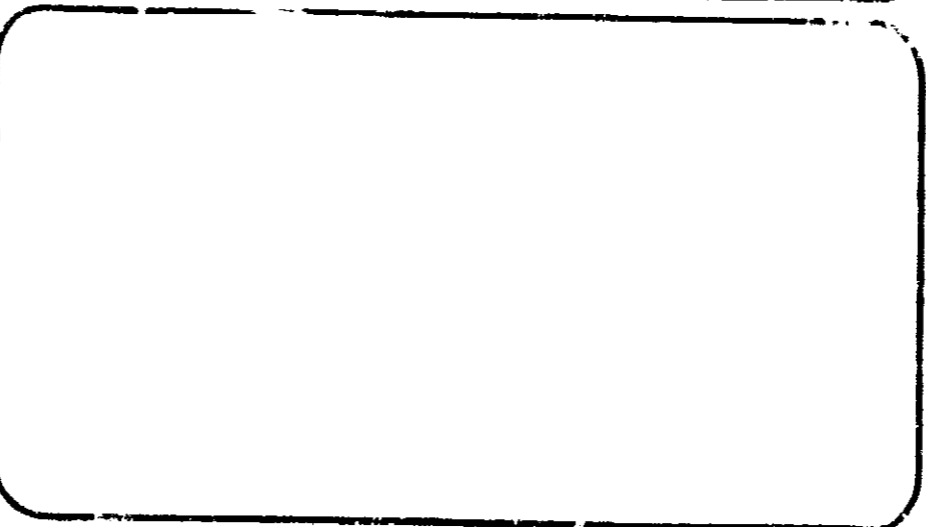
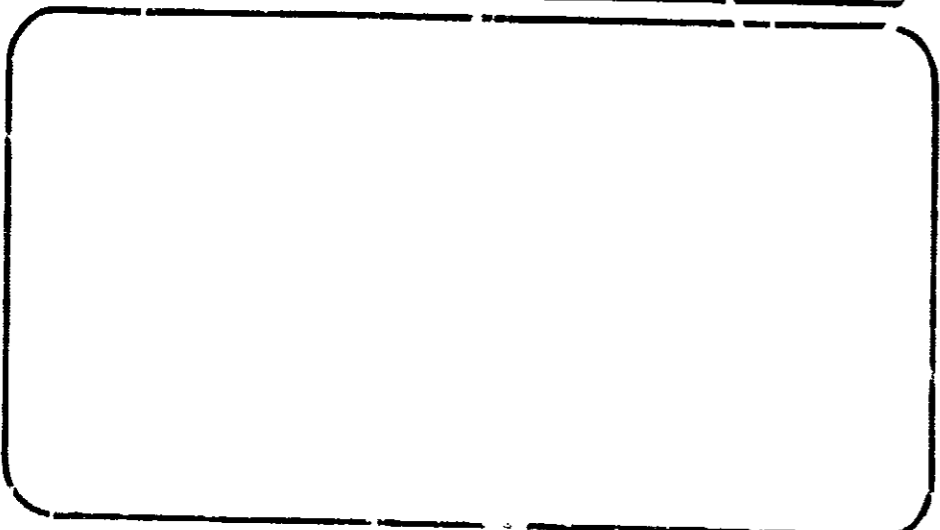
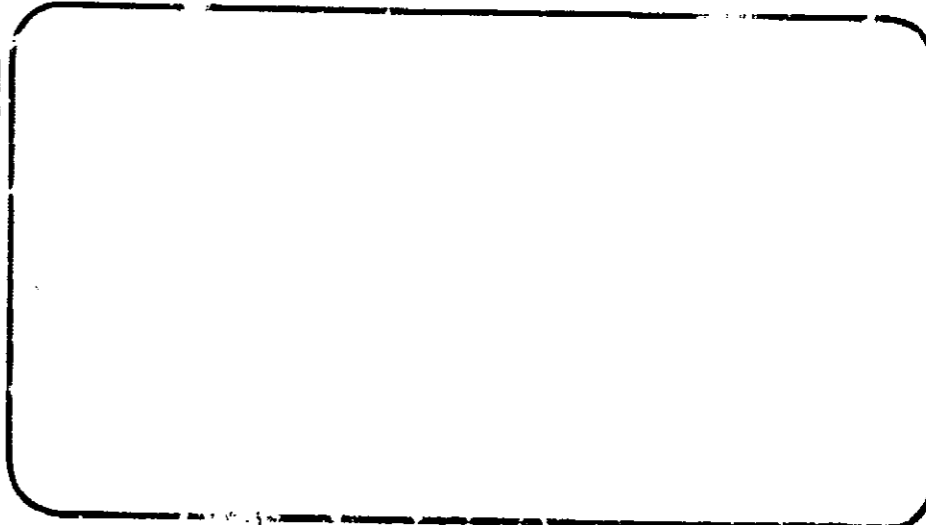
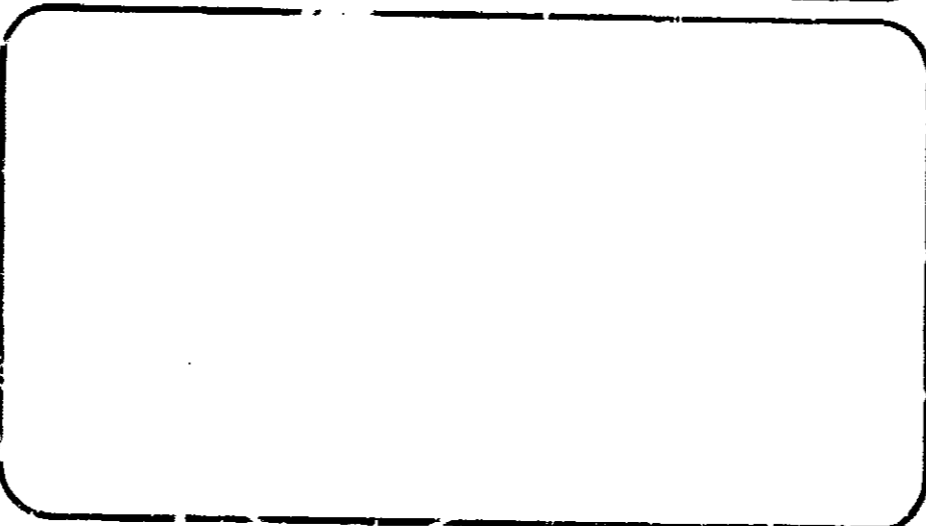
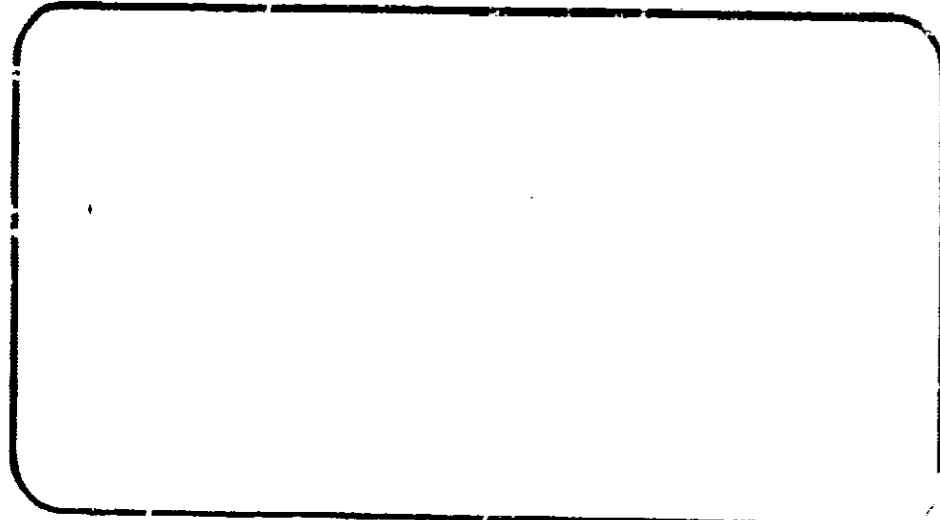
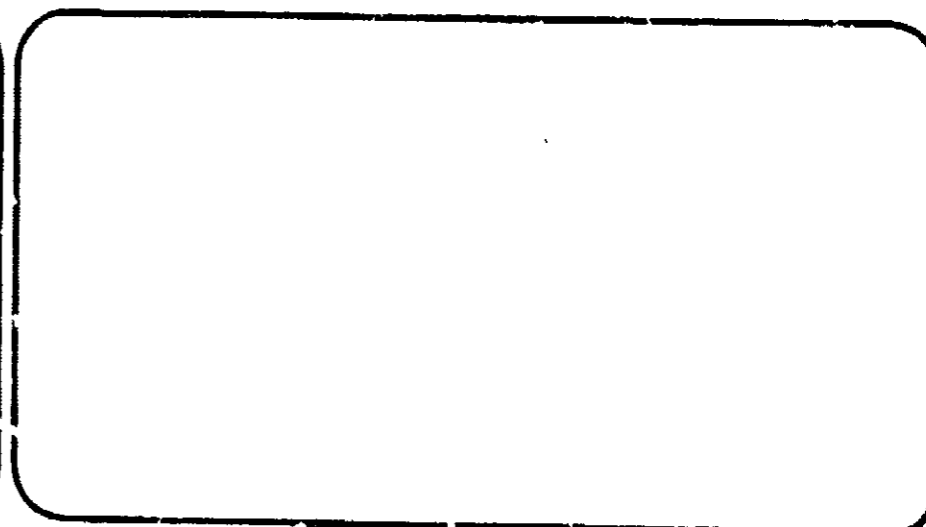
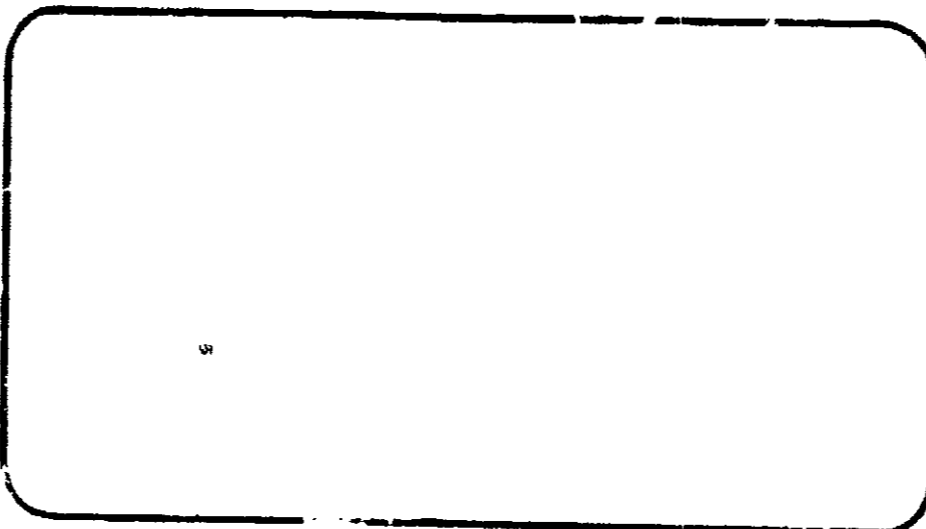
TOYOTA LAND CRUISER Station Wagon (Production from Aug. '87 up to Jan. '90)

Station Wagon

(8708-90C1)

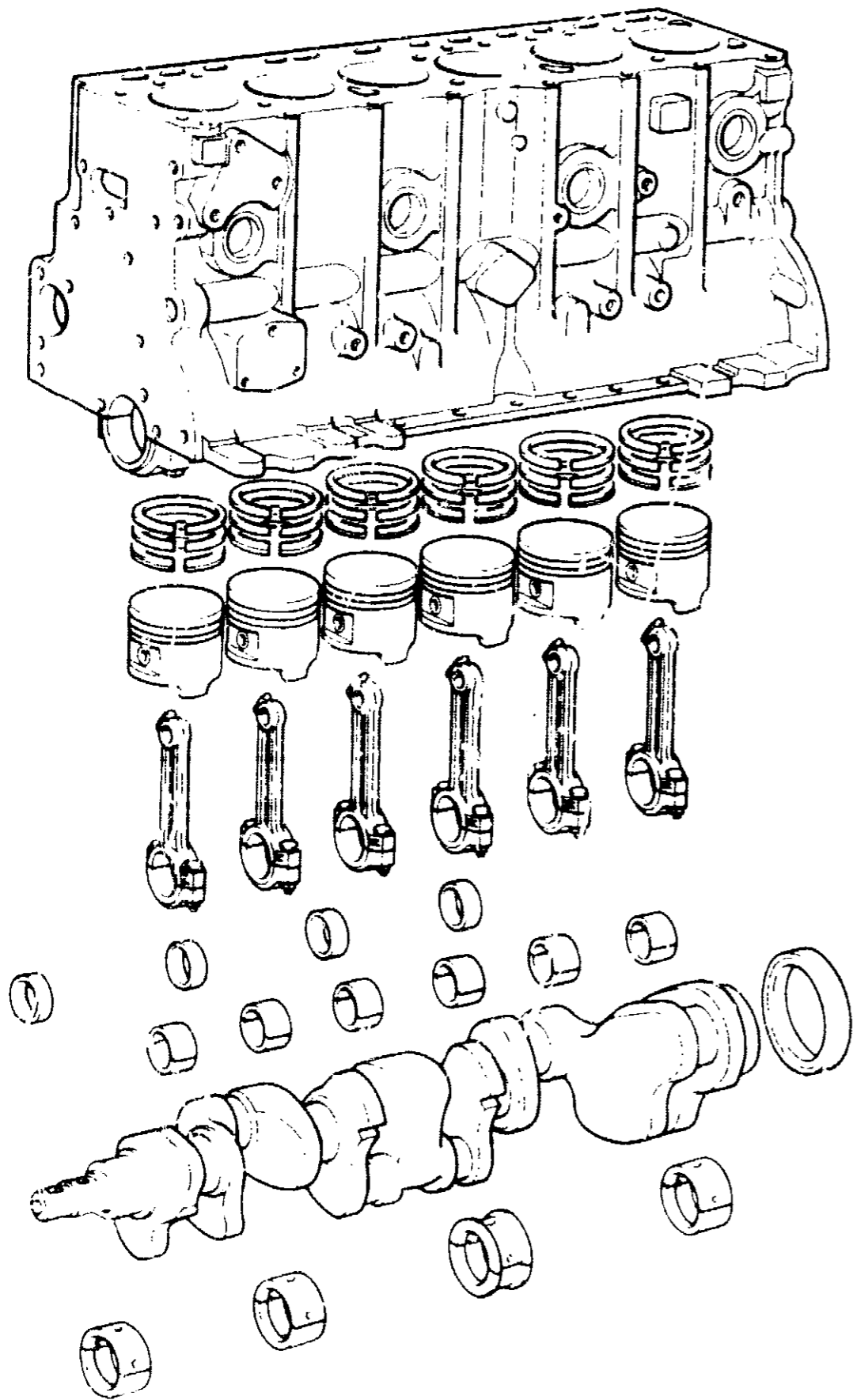


MP1966



(8708-)

11400



MA 4675-A

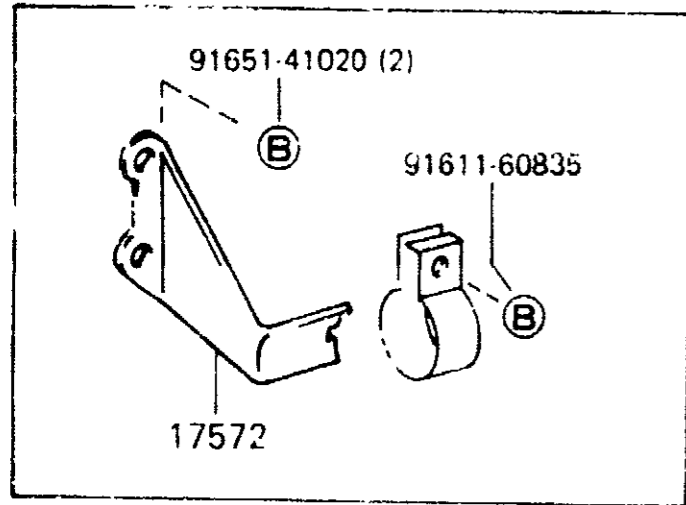
PROD. DATE	MODELS	DESCRIPTION	R / P	PART NUMBER	Q T Y.	REV. REF	
						F	T
	←-----→ 11400 BLOCK ASSY. SHORT ←-----→						
P 8708-8910	3FE..FJ62			11400-61120-	1		
B 8910-9001	3FE..FJ62			11400-61121-	1		

PROD. DATE	MODELS	DESCRIPTION	R / P	PART NUMBER	Q T Y.	REV. REF	
						F	T
8708-9001	↕ 13715 ↕ 3FE..FJ62	VALVE, EXHAUST		13715-61040-	6		
8708-9001	↕ 13734 ↕ 3FE..FJ62	SEAT, VALVE SPRING		13734-60030-	12		
8708-9001	↕ 13741 ↕ 3FE..FJ62	RETAINER, VALVE SPRING		13741-60030-	6		
8708-9001	↕ 13741 ↕ 3FE..FJ62	INTAKE		13741-61010-	6		
8708-9001	↕ 13741 ↕ 3FE..FJ62	EXHAUST		13741-61010-	6		
8708-9001	↕ 13741A ↕ 3FE..FJ62	LOCK, VALVE SPRING RETAINER		90913-03005-	12		
8708-9001	↕ 13741A ↕ 3FE..FJ62	EXHAUST		90913-03012-	12		
8708-9001	↕ 13741A ↕ 3FE..FJ62	INTAKE		90913-03012-	12		
8708-9001	↕ 13751 ↕ 3FE..FJ62	LIFTER, VALVE		13751-61020-	12		
8708-9001	↕ 13751 ↕ 3FE..FJ62	STD		13751-61020-	12		
8708-9001	↕ 13751 ↕ 3FE..FJ62	O/S 0.05		13755-61020-	12		
8708-9001	↕ 13781 ↕ 3FE..FJ62	ROD, VALVE PUSH		13781-61020-	12		
8708-9001	↕ 13801 ↕ 3FE..FJ62	ARM SUB-ASSY, VALVE ROCKER, NO.1		13811-61030-	6		
8708-9001	↕ 13801B ↕ 3FE..FJ62	NUT, HEXAGON (FOR VALVE ADJUSTING)		90170-08005-	12		
8708-9001	↕ 13801C ↕ 3FE..FJ62	SCREW, VALVE ADJUSTING		90913-05020-	12		

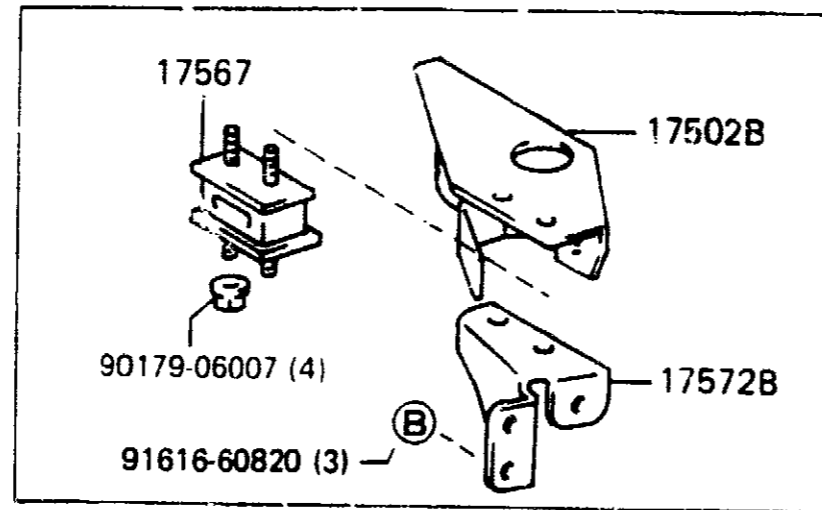
PROD. DATE	MODELS	DESCRIPTION	R / P	PART NUMBER	Q T Y.	REV. REF	
						F	T
8708-9001	↕ 13801D ↕ 3FE..FJ62	SPRING, COMPRESSION (FOR ROCKER ARM)		90501-14087-	5		
8708-9001	↕ 13802 ↕ 3FE..FJ62	ARM SUB-ASSY, VALVE ROCKER, NO.2		13812-61030-	6		
8708-9001	↕ 13901 ↕ 3FE..FJ62	SHAFT SUB-ASSY, VALVE ROCKER, NO.1		13901-61020-	1		
8708-9001	↕ 13901B ↕ 3FE..FJ62	SPRING, CONICAL (FOR VALVE ROCKER SHAFT)		90502-16004-	2		
8708-9001	↕ 13901C ↕ 3FE..FJ62	SPRING, RETAINER (FOR VALVE ROCKER SHAFT)		90524-15008-	2		
8708-9001	↕ 13951 ↕ 3FE..FJ62	SUPPORT, VALVE ROCKER, NO.1		13952-61012-	5		
8708-9001	↕ 13951A ↕ 3FE..FJ62	BOLT (FOR ROCKER SUPPORT SET)		90910-01006-	1		
8708-9001	↕ 13951A ↕ 3FE..FJ62	*13-1.75PX138-27		90910-01006-	1		
8708-9001	↕ 13951A ↕ 3FE..FJ62	*10-1.25PX75-20,*10-1.25PX75-20		90910-01012-	1		
8708-9001	↕ 13951C ↕ 3FE..FJ62	BOLT, STUD (FOR ROCKER SUPPORT)		13994-61020-	4		
8708-9001	↕ 13952 ↕ 3FE..FJ62	SUPPORT, VALVE ROCKER, NO.2		13952-61012-	1		

* — P x — — Outside diameter — Pitch x Bolt length — Thread length

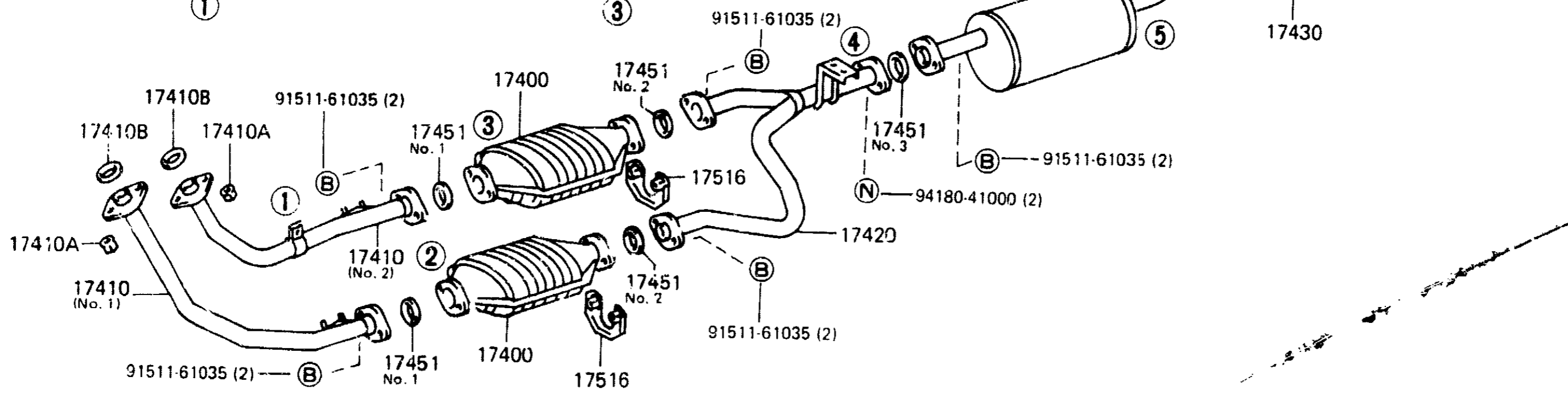
(E708-)



①



③

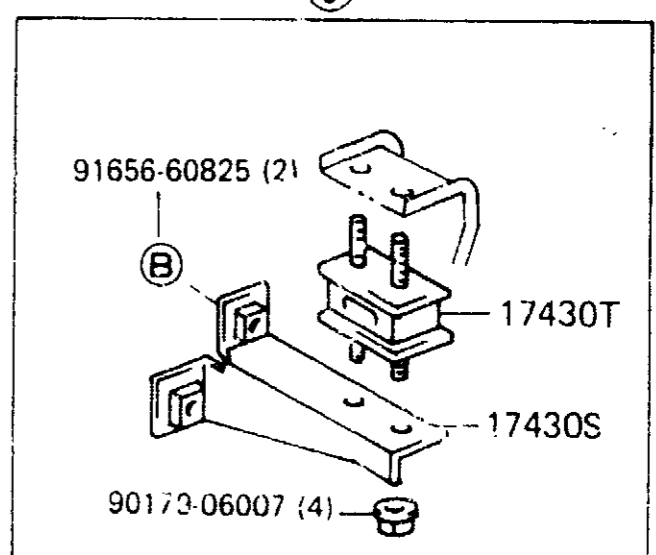
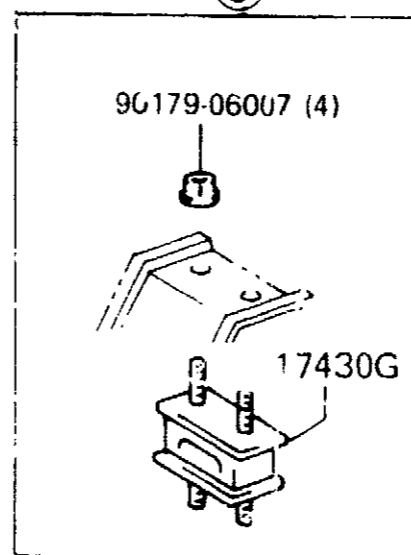
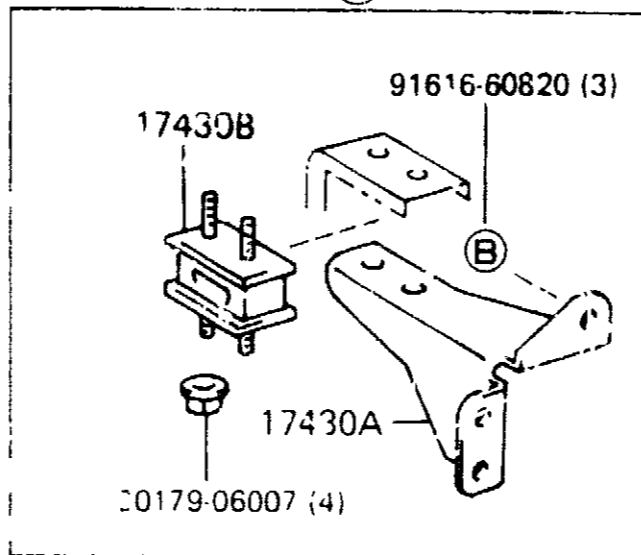
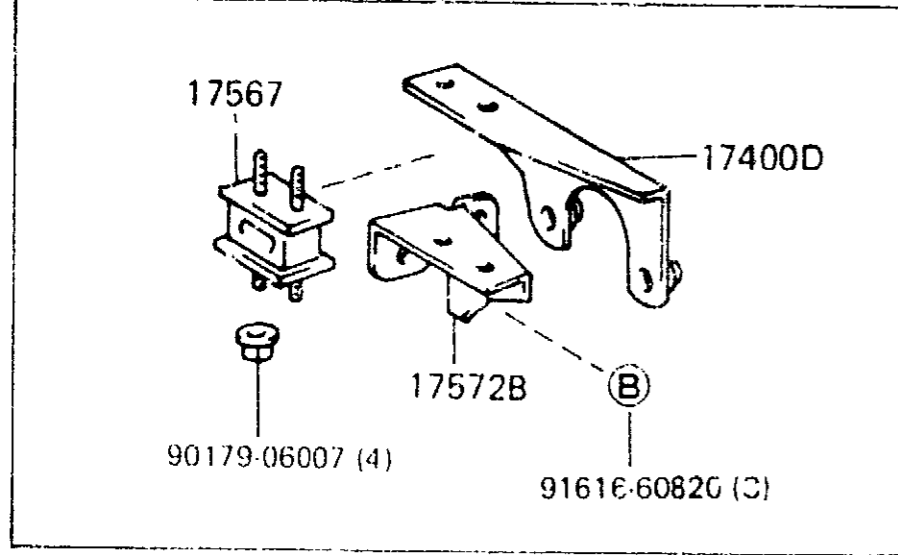


②

④

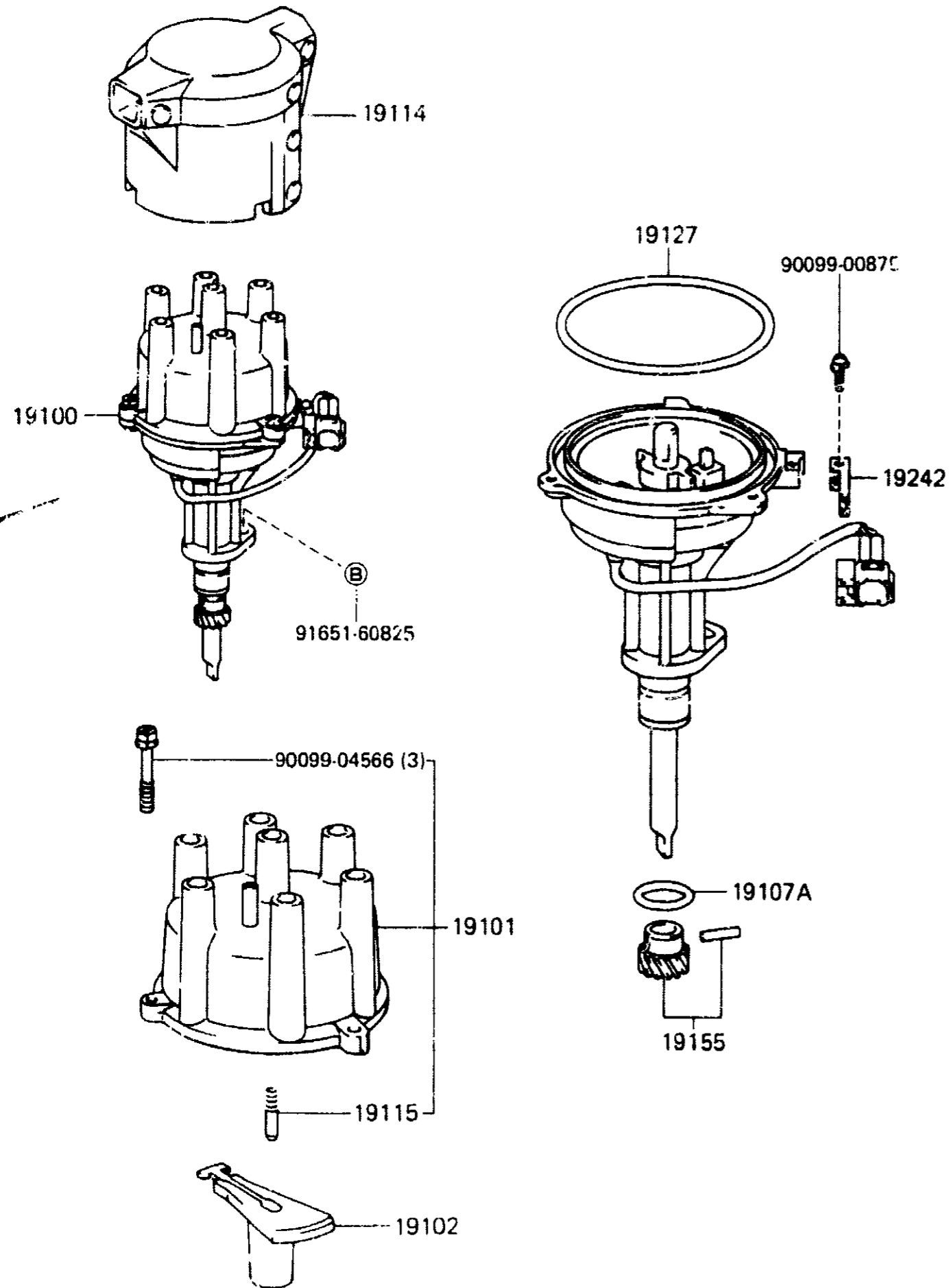
⑤

⑥



MA A060-C

(8708-)



PRGD. DATE	MODELS	DESCRIPTION	R / P	PART NUMBER	Q T Y.	REV. REF	
						F	T
8708-9001	19100 3FE..FJ62	DISTRIBUTOR ASSY		19100-61240-	1		
8708-9001	19101 3FE..FJ62	CAP SUB-ASSY, DISTRIBUTOR		19101-61240-	1		
8708-9001	19102 3FE..FJ62	ROTOR SUB-ASSY, DISTRIBUTOR		19102-61240-	1		
8708-9001	19107A 3FE..FJ62	RING, DISTRIBUTOR HOUSING G		90099-14020-	1		
8708-9001	19114 3FE..FJ62	COVER, WATER PROOF (FOR DISTRIBUTOR)		19114-61040-	1		
8708-9001	19115 3FE..FJ62	PIECE, DISTRIBUTOR CAP CENTER		19115-50010-	1		
8708-9001	19127 3FE..FJ62	PACKING, DUST PROOF		19127-61240-	1		
8708-9001	19155 3FE..FJ62	GEAR, SPIRAL, DISTRIBUTOR		19195-61240-	1		
8708-9001	19242 3FE..FJ62	CLAMP, CORD		19242-61240-	1		

PART NUMBER	LOCATION	PART NUMBER	LOCATION	PART NUMBER	LOCATION	PART NUMBER	LOCATION	PART NUMBER	LOCATION	PART NUMBER	LOCATION
P 45130-60101-06	2H7	P 46243-60030-01	2A8	47730-60021-	2H8	48247-60660-	2M9	52142-60040-	3G1	55344-90A01-	3C2
45142-12050-	2H7	P -60030-16	2A8	47731-30020-	2H8	48252-26070-	2I9	52151-60041-	3H1	55351-90A01-	3J2
45155-12030-	2H7	46341-31010-	2A8	47732-30010-	2H8		2M9	52153-60060-	3H1	55357-90A00-	3C2
45176-20030-	2H7	46410-60101-	2A8	47748-60010-	2I8	A 48253-15010-	2M9	52154-60010-	3H1	55366-90A02-	3C2
45180-60021-	2H7	46443-12020-	2B8	47750-60021-	2I8	48304-60031-	2I9	52172-60020-	3H1	55368-90A03-	3C2
45210-22050-	2A7	46451-60030-	2F8	47786-60020-	2I8	48306-60030-	2M9	52201-25020-	3E1	55374-90A01-	3C2
45215-22011-	2A7	46458-30020-	2B8	47787-60020-	2I8	48371-60050-	2M9	-35021-	3E1	55401-90A05-03	3C2
45220-60050-	2A7	46469-60020-	2B8	47910-60060-	2C9	48372-23030-	2M9	52202-25020-	3E1	-90A05-05	3C2
45222-60031-	2A7	P 47043-60050-	2J9	47920-60020-	2C9	48401-60020-	2I9	-35021-	3E1	-90A07-03	3C2
45244-60020-	2A7	B -60090-	2J8	47931-60020-	2C9	48412-60021-	2I9	52203-60030-	3E1	-90A07-05	3C2
45254-60030-	2A7	P 47044-60010-	2J8	-60021-	2C9	48413-60032-	2I9		3F1	55410-90G28-	3C2
45255-60010-	2A7	B -60040-	2J8	47933-60020-	2D9	48414-60042-	2M9	52207-60010-	3E1	P 55412-90A10-03	3C2
45260-60080-	2A7	47061-60011-	2K8	47935-35010-	2D9	48415-60042-	2M9	52208-60010-	3E1	P -90A10-05	3C2
45280-60260-	2A7	47062-60011-	2K8	47936-35010-	2D9	48416-60030-	2M9	53111-90A06-	3I1	55416-90A01-	3C2
45282-22010-	2A7	47101-60150-	2C8	47937-60010-	2D9	48475-60020-	2I9	-90A09-	3I1	P 55446-90A02-06	3C2
P 45286-60130-03	2A7	47121-30050-	2C8	48046-60052-	2L9	48511-69095-	2I9	53131-90A09-	3I1	P -90A02-13	3C2
-60130-16	2A7	47201-60310-	2D8	48047-60052-	2L9	48512-60031-	2I9	-90A10-	3I1	55458-90A00-	3C2
P 45287-60090-03	2A7	47202-60190-	2D8	48048-60021-	2H9	48531-69105-	2M9	53132-90A09-	3I1	55477-87001-	3C2
P -60090-16	2A7	B 47218-11040-	2D8	48049-60021-	2H9	48541-69025-	2A10	-90A10-	3I1	55499-60010-	2B1
45289-22020-	2A7	B	2E8	48102-60410-	2H9	48600-60020-	2A10	53202-90A04-	3A2	P 55501-90A00-06	3D2
45292-60030-	2A7	47231-20010-	2E8	48103-60410-	2I9	48811-60070-	2J9	53203-90A05-	3A2	P -90A00-23	3D2
B 45357-22010-	2L7	47231-14010-	2E8	-60411-	2I9	48812-60040-	2A10	53207-90A00-	3G3	55505-90A00-	3D2
45411-60090-	2L7	47264-30040-	2E8	48110-60410-	2H9	48815-20060-	2J9	53216-90A03-	3A2	55517-14010-	3D2
45450-69055-	2L7	47265-20050-	2E8	-60411-	2I9	-30050-	2A10	53217-90A03-	3A2	P 55521-14050-01	3D2
45457-60010-	2L7	-20060-	2E8	-60411-	2H9	48817-30010-	2J9	-90A05-	3A2	55538-22010-	3D2
A 45458-60010-	2L7	47275-22010-	2E8		2I9	48823-27010-	2A10	53292-90A00-	3A2	P 55539-20020-13	3E3
45460-69105-	2M7	47299-14010-	2E8	48111-60410-	2H9		2J9	53301-90A01-	3J1	P -20020-26	3E3
45466-36010-	2M7	47312-60610-	2B9	48112-60410-	2H9	48825-60010-	2J9	53341-90A00-	3J1	-3201-01	3D2
-55020-	2L7	47313-60180-	2B9	48114-60410-	2I9	-60031-	2A10	53381-90A00-	3J1	P 55545-90A01-03	3D2
45473-35010-	2M7	47314-60180-	2B9	-60411-	2I9	51002-60432-	3A1	53382-30060-	3J1	P -90A01-06	3D2
45475-35010-	2M7	47315-60340-	2C9	48147-60410-	2I9	51172-60010-	3C1	-90K01-	3J1	55547-90100-	3C2
45611-60040-	2M7	47316-60510-	2C9	48202-60650-	2L9	51201-60080-	3A1	53383-90A00-	3F2	55549-90A00-	3D2
45612-60040-	2M7	47322-60490-	2C9	-60651-	2L9	51202-60151-	3A1	53410-90A01-	3L1	55556-90A01-	3D2
45630-60090-	2B7	47323-60041-	2C9	-60660-	2L9	51203-60102-	3A1	53420-90A01-	3L1	55561-90A00-	3D2
45637-60060-	2B7	47324-60021-	2C9	-60661-	2L9	51204-60052-	3A1	53440-90A00-	3L1	P 55569-90A00-06	3D2
45700-69025-	2M7	47325-60100-	2C9	48203-60650-	2M9	51205-60010-	3A1	53450-90A00-	3L1	P -90A00-23	3D2
45721-60030-	2B7	47326-60110-	2C9	-60651-	2M9	51209-60090-	3A1	53451-90A00-	3L1	55571-90A06-	3D2
45804-22010-	2B7	47341-60031-	2C9	-60660-	2M9	51217-60011-	3A1	53452-90351-	3L1	55580-90A02-	3D2
45813-22010-	2B7	47347-60021-	2C9	-60661-	2M9	51218-60011-	3A1	53510-90A02-	3L1	55660-90A00-	3D2
-22020-	2B7	47354-60030-	2C9	48210-60650-	2L9	51321-60030-	3A1	53630-90A01-	3L1	55670-90A02-	3D2
-22030-	2B7	47355-60030-	2C9	-60651-	2L9	51322-60030-	3B1	53701-90G90-	3A2	55700-90G17-	3F2
-22040-	2B7	47371-35020-	2C9	-60660-	2M9	51421-60041-	3B1	53702-90A70-	3A2	55701-90A35-	3F2
-22050-	2B7	47447-60010-	2K8	-60661-	2M9	51422-60041-	3B1	53738-90A00-	3A2	55729-90A01-	3F2
45814-22010-	2B7	47449-60020-	2K8	48211-60650-	2L9	51441-60061-	3C1	53739-90A00-	3A2	55780-90A01-	3F2
-22020-	2B7	47491-20011-	2K8	-60660-	2L9	51495-60230-	3C1	53801-90G00-	3J1	55843-90A03-	3J11
45815-22060-	2B7	47509-60010-	2K8	48212-60650-	2L9	51701-60051-	3B1	53802-90A72-	3J1	55901-90A01-	3J11
-22070-	2B7	47547-20030-	2H8	-60660-	2L9	51702-60020-	3B1	53931-90A06-	3J1	55905-12070-	3F11
-22080-	2B7	-60020-	2K8	48214-60650-	2L9	51703-60020-	3B1	55016-90A75-	3A2	-22050-	3J11
-22090-	2B7	47548-60010-	2B9	-60651-	2L9	51704-60010-	3B1	-90A76-	3A2	-90A00-	3J11
-22100-	2B7	47550-60120-	2K8	-60660-	2L9	51705-60062-	3B1	55073-90A00-	3F2	55907-90A00-	3J11
45817-60010-	2B7	47611-60010-	2K8	-60661-	2L9	-60110-	3B1	55084-90A03-	3J11	55908-90A00-	3J11
45819-22011-	2B7	47612-60010-	2K8	48215-60650-	2L9	51707-60030-	3B1	55085-90A01-	3J11	55950-90A01-	3D2
45821-22010-	2B7	47616-60010-	2K8	-60651-	2L9	51709-60020-	3B1	55086-90A01-	3J11	-90A03-	3D2
45870-60030-	2B7		2L8	-60660-	2L9	51900-60100-	3D1	55087-90A01-	3J11	55959-14010-	3E2
45890-22050-	2B7	47624-60010-	2L8	-60661-	2M9	51961-36040-	3C1	55088-90A01-	3J11	P 55961-90A00-03	3E2
45897-14010-	2B7	47625-60010-	2L8	48217-60650-	2M9	-60040-	3C1	55089-90A03-	3J11	-90A00-16	3E2
45898-22010-	2B7	47626-60010-	2L8	-60651-	2M9	51966-60010-	3C1	55100-90A16-	2C8	55970-90A00-	3E2
45899-22020-	2C7	47628-30020-	2L8	-60660-	2M9	52023-60011-	3E1	55210-90A12-	3A2	55980-90A00-	3E2
46210-60040-01	2A8	47633-30020-	2L8	-60661-	2M9	52102-90A00-	3G1	55225-90A00-	3A2	56111-90A02-	3F2
-60040-16	2A8	47643-60010-	2L8	48218-60650-	2M9	52103-90A00-	3G1	P 55301-90A76-03	3C2	56121-90A01-	3G2
-60041-01	2A8	47644-60010-	2L8	-60651-	2M9	52106-60010-	3H1	-90A76-05	3C2	-90A05-	3G2
-60041-06	2A8	47655-60010-	2L8	-60660-	2M9	52107-60010-	3H1	55315-90A00-	3C2	57104-90A03-	3A2
46217-10020-01	2A8	47703-60031-	2H8	-60661-	2M9	52111-90A03-	3G1	55341-90A02-	3C2	57401-90A05-	3J2
-10020-50	2A8	47704-60031-	2H8	48217-60651-	2M9	52141-60050-	3G1	55342-90A01-	3C2	57402-90A05-	3J2

1. MODELS COVERED & CHARACTERISTICS

D15

TOYOTA LAND CRUISER Station Wagon (Production from Aug. '87 up to Jan. '90)

TOYOTA LAND CRUISER Station Wagon

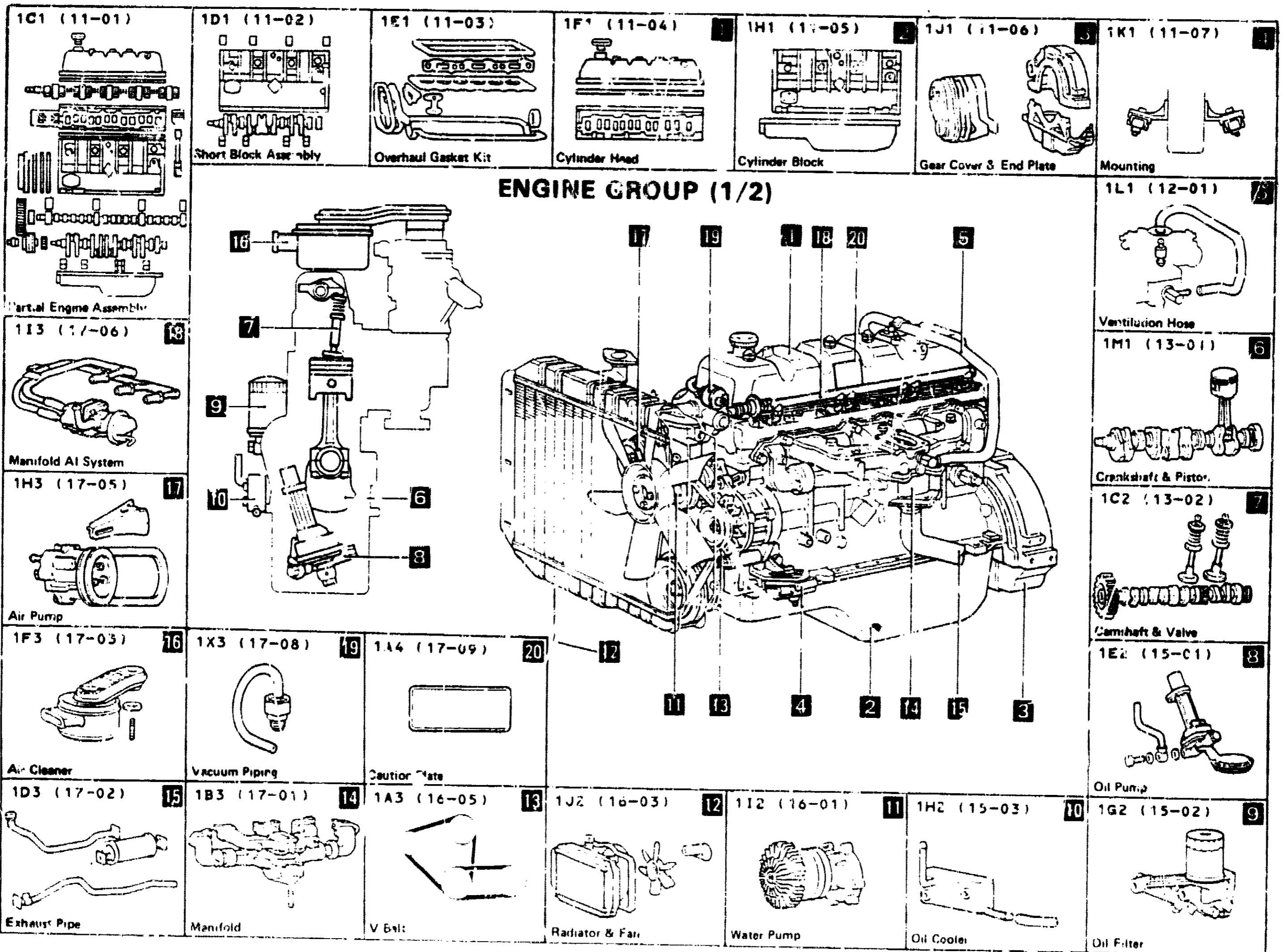
Model	Engine	Production Period	Characteristic Expressions in Catalog Model Column		Model Name
FJ62LV-PNEA	3F-E	8708-8808	WGV	USA	Station Wagon
FJ62LG-PNEA	"	8708-9001	WGG	"	"
" -PNEK	"	8708-9001	"	CND	"

WGV Station Wagon

WGG Station Wagon G type

USA For United States of America

CND For Canada



ENGINE GROUP (1/2)

1C1 (11-01)

Partial Engine Assembly

1D1 (11-02)

Short Block Assembly

1E1 (11-03)

Overhaul Gasket Kit

1F1 (11-04)

Cylinder Head

1H1 (11-05)

Cylinder Block

1J1 (11-06)

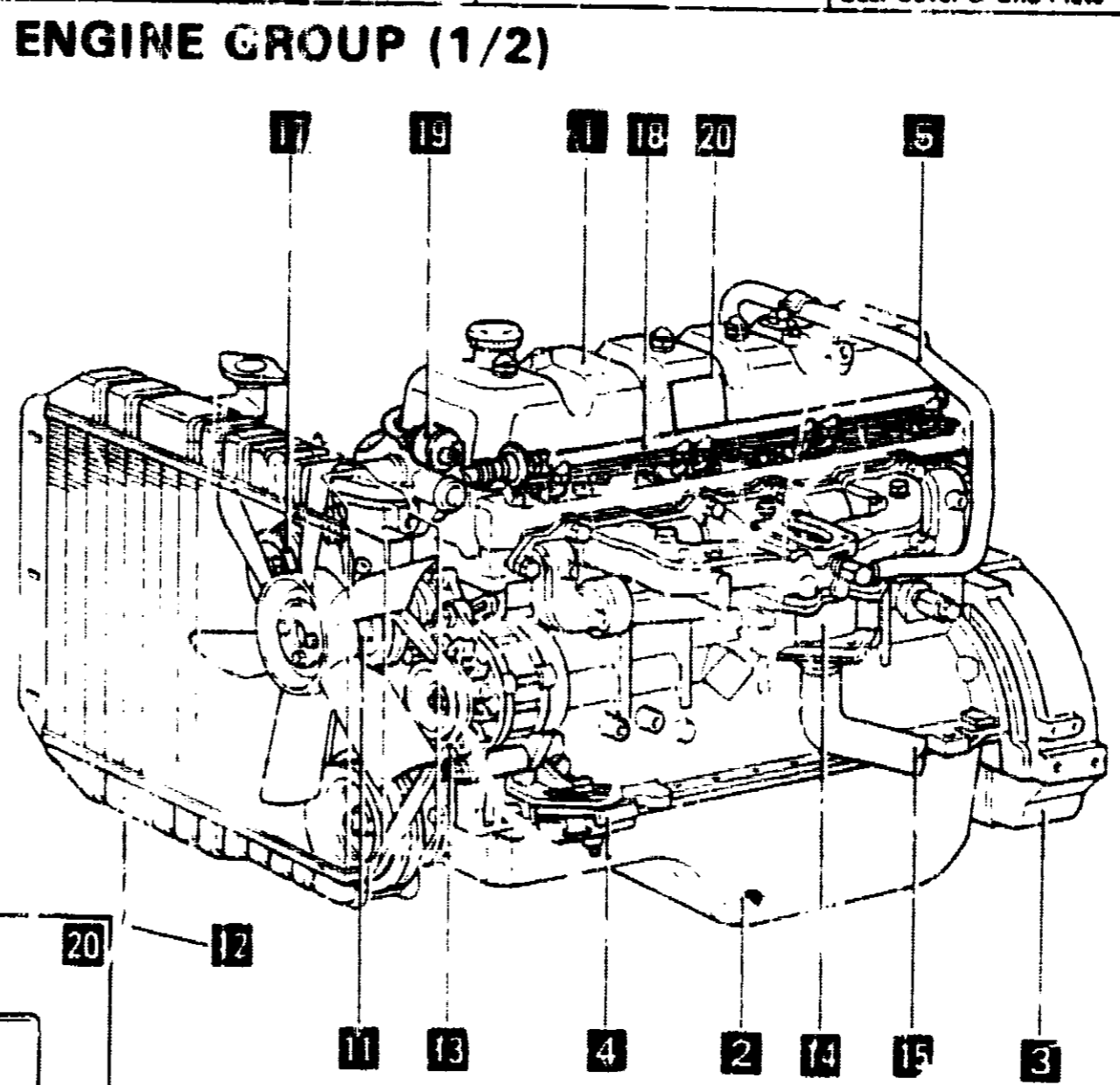
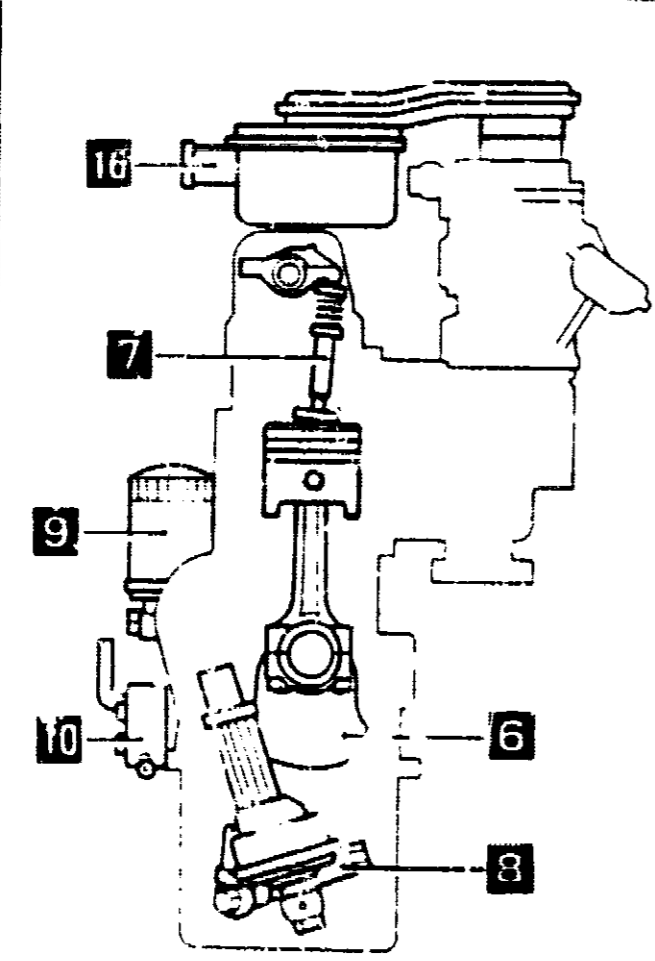
Gear Cover & End Plate

1K1 (11-07)

Mounting

1I3 (17-06)

Manifold Air System



1L1 (12-01)

Ventilation Hose

1M1 (13-01)

Crankshaft & Piston

1C2 (13-02)

Camshaft & Valve

1F3 (17-03)

Air Cleaner

1X3 (17-08)

Vacuum Piping

1A4 (17-09)

Caution Plate

1E2 (15-01)

Oil Pump

1D3 (17-02)

Exhaust Pipe

1B3 (17-01)

Manifold

1A3 (16-05)

V Belt

1J2 (16-03)

Radiator & Fan

1I2 (16-01)

Water Pump

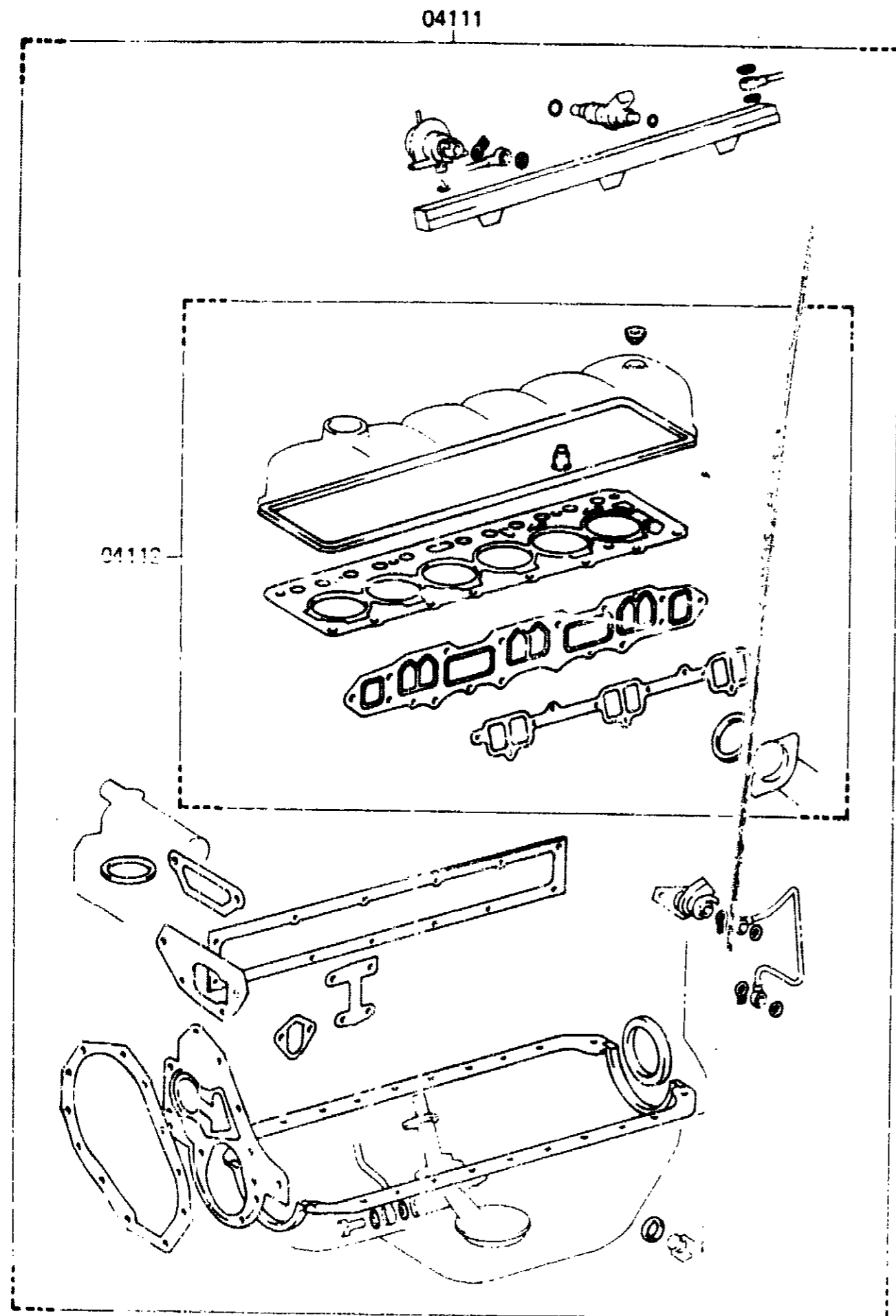
1H2 (15-03)

Oil Cooler

1G2 (15-02)

Oil Filter

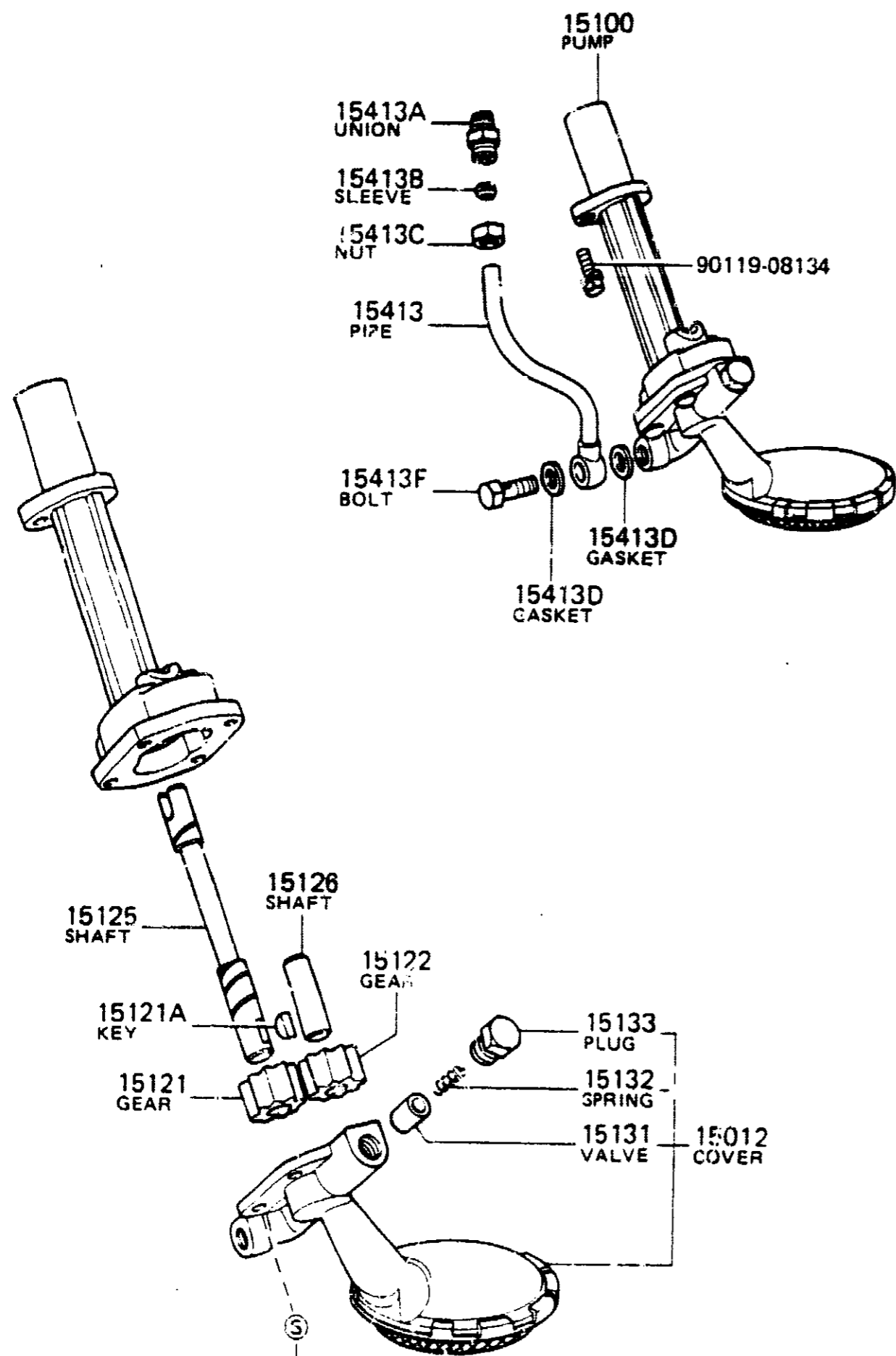
(8708-)



MA 9862

PROD. DATE	MODELS	DESCRIPTION	R / P	PART NUMBER	Q T Y.	REV. REF	
						F	T
8708-9001	04111 3FE..FJ62	GASKET KIT, ENGINE OVERHAUL		04111-61070-	1		
8708-9001	04112 3FE..FJ62	GASKET KIT, ENGINE VALVE GRIND		04112-61060-	1		

(8708-)



93311-16020 (4)

MA 2324-B

PROD. DATE	MODELS	DESCRIPTION	R / F	PART NUMBER	QTY.	REV. REF	
						F	T
8708-9001	15012	COVER SUB-ASSY, OIL PUMP		15012-60014-	1		
8708-9001	15100	PUMP ASSY, OIL		15100-61011-	1		
8708-9001	15121	GEAR, OIL PUMP DRIVE		15121-61011-	1		
8708-9001	15121A	KEY, OIL PUMP DRIVE SHAFT		90280-03009-	1		
8708-9001	15122	GEAR, OIL PUMP DRIVEN		15122-61011-	1		
8708-9001	15125	SHAFT, OIL PUMP		15125-60013-	1		
8708-9001	15126	SHAFT, OIL PUMP DRIVEN		15126-60013-	1		
8708-9001	15131	VALVE, OIL PUMP RELIEF		15131-24010-	1		
8708-9001	15132	SPRING, OIL PUMP RELIEF VALVE		15132-40010-	1		
8708-9001	15133	PLUG, OIL PUMP RELIEF VALVE		15133-24010-	1		

PROD. DATE	MODELS	DESCRIPTION	R / P	PART NUMBER	Q T Y.	REV. REF	
						F	T
A 8708-8808	17400 3FE..FJ62	CONVERTER ASSY, W/CATALYST		# 18450-61010- (18450-61040-)	2 2		002
8808-9001	3FE..FJ62..WGG			18450-61040-	2	003	
8708-9001	17400D 3FE..FJ62	BRACKET, CATALYTIC CONVERTOR SUPPORT		17573-61051-	1		
8708-9001	17410 3FE..FJ62	PIPE ASSY, EXHAUST, FRONT		17401-61210-	1		
8708-9001		NO.1					
8708-9001		NO.2		17402-61010-	1		
8708-9001	17410A 3FE..FJ62	NUT, EXHAUST PIPE SET STUD BOLT		90179-10070-	4		
8708-9001	17410B 3FE..FJ62	GASKET, EXHAUST PIPE		90917-06004-	2		
8708-9001	17420 3FE..FJ62	PIPE ASSY, EXHAUST, CENTER		17403-61110-	1		
8708-9001	17430 3FE..FJ62	PIPE ASSY, TAIL		17405-61240-	1		
8708-9001	17430A 3FE..FJ62	BRACKET, TAIL PIPE (FOR FRONT)		17574-61071-	1		
8708-9001	17430B 3FE..FJ62	CUSHION, TAIL PIPE (FOR FRONT)		17567-61030-	1		

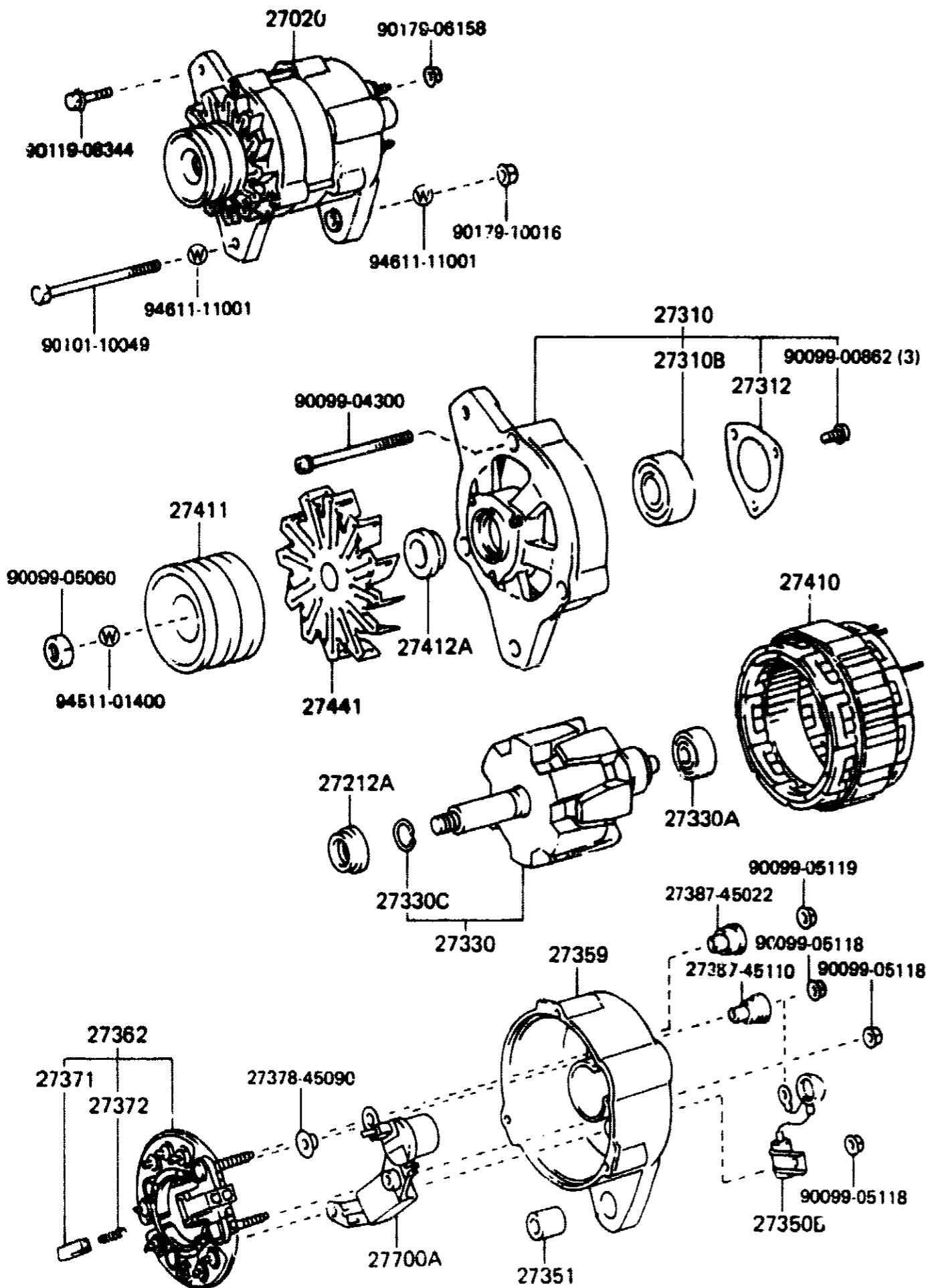
PROD. DATE	MODELS	DESCRIPTION	R / P	PART NUMBER	Q T Y.	REV. REF	
						F	T
8708-9001	17430G 3FE..FJ62	CUSHION, TAIL PIPE (FOR CENTER)		17567-61030-	1		
8708-9001	17430S 3FE..FJ62	BRACKET, TAIL PIPE (FOR REAR)		17574-61050-	1		
8708-9001	17430T 3FE..FJ62	CUSHION, TAIL PIPE (FOR REAR)		17567-61030-	1		
8708-9001	17451 3FE..FJ62	GASKET, EXHAUST PIPE		90917-06012-	2		
8708-9001		NO.1					
8708-9001		NO.2		90917-06023-	2		
8708-9001		NO.3		90917-06024-	1		
8708-9001	17502B 3FE..FJ62	BRACKET SUB-ASSY, CATALYTIC CONVERTER, FRONT		17502-61021-	1		
8708-9001	17516 3FE..FJ62	RETAINER, EXHAUST PIPE, NO.2		18495-38020-	2		
8708-9001	17567 3FE..FJ62	CUSHION, EXHAUST PIPE SUPPORT		17567-61030-	2		
8708-9001	17572 3FE..FJ62	BRACKET, EXHAUST PIPE NO.1 SUPPORT		17571-61160-	1		
8708-9001	17572B 3FE..FJ62	BRACKET, EXHAUST PIPE SUPPORT, NO.2		17572-61051-	2		

FIG. 19-03 ALTERNATOR

1E4

791430M-01109

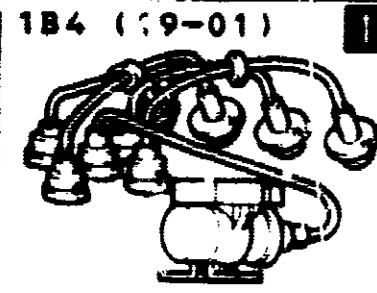
(8708-
12V 80A)



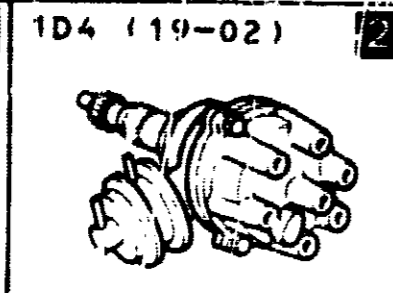
ME J463

PROB. DATE	MODELS	DESCRIPTION	F / P	PART NUMBER	QTY.	REV. REF	
						F	T
8708-9001	27020 3FE..FJ62	ALTERNATOR ASSY 12V 80A		27060-61090-	1		
8708-9001	27212A 3FE..FJ62	RING, SPACE		27212-39050-	1		
8708-9001	27310 3FE..FJ62	FRAME ASSY, DRIVE END, ALTERNATOR		27310-72070-	1		
8708-9001	27310B 3FE..FJ62	BEARING (FOR ALTERNATOR DRIVE END FRAME)		90099-10110-	1		
8708-9001	27312 3FE..FJ62	PLATE, RETAINER		27312-45010-	1		
8708-9001	27330 3FE..FJ62	ROTOR ASSY, ALTERNATOR		27330-72070-	1		
8708-9001	27330A 3FE..FJ62	BEARING (FOR ALTERNATOR ROTOR)		90099-10116-	1		
8708-9001	27330C 3FE..FJ62	RING, SNAP		90099-07048-	1		
8708-9001	27350B 3FE..FJ62	CONDENSER, ALTERNATOR		90099-52065-	1		
8708-9001	27351 3FE..FJ62	BUSH (FOR ALTERNATOR RECTIFIER END FRAME)		27351-38051-	1		

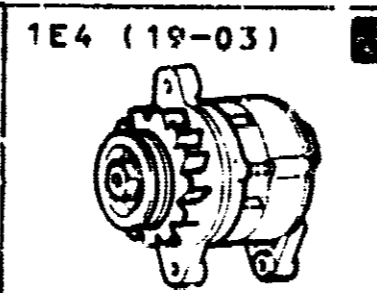
PART NUMBER	LOCA TION	PART NUMBER	LOCA TION	PART NUMBER	LOCA TION	PART NUMBER	LOCA TION	PART NUMBER	LOCA TION	PART NUMBER	LOCA TION
57405-90A07-	3H2	P 58570-90A28-03	3B3	61341-90A00-	3H3	62505-90A03-08	3D4	63372-90A00-	3F4	67610-90G04-03	314
57407-90A43-	3H2	P -9JA28-06	3B3	61342-90A00-	3H3	62506-90A03-08	3D4	P 63392-90A00-18	3F4	-90G04-06	314
-90A46-	3H2	-90A39-03	3B3	61345-90A00-	3H3	62510-90A31-03	3D4	P 63396-90A00-18	3F4	-90G07-03	314
57417-90A03-	3J2	-90A39-06	3B3	61346-90A00-	3H3	-90A31-06	3D4	P 63397-90A00-18	3F4	-90G07-06	314
57425-90A02-	3J2	58573-90A00-	3B3	61401-90A06-	3H3	P -90A34-03	3D4	63435-90A00-	3L3	P -90G42-03	314
57426-90A04-	3J2	58705-90A01-	3G7	61402-90A06-	3H3	P -90A34-06	3D4	63436-90A00-	3L3	P -90G42-06	314
57427-90A00-	3J2	58754-90A00-	3K2	61503-90A00-	3H3	P 62520-90A44-03	3D4	63437-90A00-	3L3	P -90G49-03	314
57468-90A01-	3J2	58790-90A01-	3G7	61504-90A00-	3H3	P -90A44-06	3D4	63438-90A00-	3M3	P -90G49-06	314
-90A02-	3J2	58793-90A01-	3G7	61511-90A01-	3I3	-90A52-03	3D4	63441-90A00-	3M3	67620-90G07-03	3J4
57483-90A00-	3J2	P 58825-90A01-03	3E3	61512-90A01-	3I3	-90A52-05	3D4	63442-90A00-	3M3	-90G14-03	3J4
57511-90A03-	3J2	P -90A01-06	3E3	61607-90A04-	3I3	P 62539-90A01-03	3D4	63443-90A00-	3M3	-90G14-06	3J4
57605-90A02-	3M2	P 58841-90A01-03	3E3	-90A05-	3I3	P -90A01-06	3D4	63444-90A00-	3M3	P -90G41-03	3J4
57606-90A09-	3M2	P -90A01-06	3E3	61608-90A00-	3I3	P 62549-90A00-03	3D4	63445-90A00-	3M3	P -90G41-06	3J4
57635-90A03-	3H2	P 58911-90A02-03	3E3	-90A01-	3I3	P -90A00-16	3D4	63447-90A00-	3M3	P -90G48-03	3J4
57805-90A00-	3M2	P -90A02-06	3E3	61611-90A03-	3I3	P 62613-90A07-03	3D4	63448-90A00-	3M3	P -90G48-06	3J4
58041-90A01-	3A3	P -90A03-03	3E3	61612-90A03-	3I3	-90A07-06	3D4				
58043-90A00-	3A3	P -90A03-06	3E3	61631-90A03-	3I3	P -90A09-03	3D4	63449-90A00-	3M3	67630-90A25-03	3C5
58107-90A00-	3J2	P -90A05-03	3E3	61632-90A03-	3I3	P -90A09-06	3D4	63457-90A00-	3M3	-90A25-06	3C5
58111-90A46-	3J2	P -90A05-06	3E3	61645-90A00-	3I3	62614-90A00-03	3D4	63458-90A00-	3M3	-90A28-03	3C5
58151-90A05-	3A3	P -90A06-03	3E3	61646-90A00-	3I3	-90A00-16	3D4	63459-90A00-	3M3	-90A28-06	3C5
58153-90A01-	3A3	P -90A06-06	3E3	61705-90A30-	3I3	P -90A02-03	3D4	P 64739-90K01-03	3D4	P -90A33-03	3D5
58155-90A01-	3A3	58918-90A00-	3E3	-90A40-	3I3	-90A02-06	3D4	P -90K01-06	3D4	P -90A33-06	3D5
58188-90A03-	3J2	58936-60010-	2B1	61706-90A66-	3I3	62633-90A09-08	3D4	64777-90A00-	3G7	P -90A36-03	3D5
58192-90A00-	3J2	P 58944-90A00-03	3E3	-90A67-	3I3	P -90A11-08	3D4	P 64780-90A01-13	3J5	P -90A36-06	3D5
58203-90A00-	3J2	P -90A00-06	3E3	61709-90A02-	3I3	P 62634-90A09-08	3D4	-90A01-16	3J5	67640-90A25-03	3D5
58204-90A00-	3J2	P -90A01-03	3E3	61711-90A01-	3I3	P -90A11-08	3D4	64798-90A00-	3J5	-90A25-06	3D5
58211-90A21-	3J2	P -90A01-06	3E3	61712-90A01-	3I3	P 62640-90A17-03	3D4	65061-90A13-	3J5	-90A28-03	3D5
-90A24-	3J2	P 58947-90A03-03	3E3	61733-90A02-	3I3	P -90A17-06	3D4	65507-90A01-	3M2	-90A28-06	3D5
-90A26-	3J2	P -90A03-06	3E3	-90A03-	3I3	P 62650-90A06-03	3D4	65706-90A00-	3L5	P -90A34-03	3D5
-90A28-	3J2	P 58951-90A01-03	3E3	-90A05-	3I3	P -90A06-06	3D4	65707-90A00-	3L5	P -90A34-06	3D5
58231-90A00-	3A3	P -90A01-06	3E3	61734-90A01-	3I3	62711-90A12-	3K3	65777-90A00-	3L5	P -90A37-03	3D5
58247-90A00-	3J2	58959-16010-	3F3	-90A03-	3I3	62712-90A11-	3K3	66110-90A00-	3L5	P -90A37-06	3D5
58248-90A00-	3K2	58964-30030-	3F3	-90A05-	3I3	62741-90A01-	3K3	66301-90A00-	3M2	P 67651-90A01-03	3J4
58256-90B00-	3A3	-90K00-	3F3	61743-90A02-	3I3	62795-90A00-	3D7	66318-90A00-	3M2	P -90A01-06	3J4
58261-90A04-	3K2	58965-12010-	3F3	61745-90A01-	3J3	62903-90A00-	3A4	67001-90A40-	314	67687-90A00-	3J5
58263-90A02-	3K2	-20020-	3F3	61746-90A01-	3J3	62904-90A00-	3A4	-90A44-	314	67689-90A00-	3J5
58268-90A05-	3K2	58976-20010-	3F3	61791-90B01-	3J3	62905-69015-	3A4	67002-90A47-	314	67765-90A00-	3J5
58275-90A00-	3J7	58985-90A00-	3F3	61793-90A00-	3J3	62906-69015-	3A4	-90A50-	314	67766-90A00-	3J5
58290-90A04-	3K2	58996-90A04-	3F3	P 62101-90A00-03	3C4	62909-22010-	3A4	67003-90A15-	3C5	67767-90A00-	3J5
-90A05-	3K2	58997-90A02-	3F3	P -90A00-16	3C4	63105-90A00-	3L3	-90A17-	3C5	67769-90A00-	3J5
58303-90A00-	3M2	61027-90A04-	3G3	P 62102-90A00-03	3C4	63111-90A00-	3L3	67004-90A15-	3C5	67771-22010-	3J4
58304-90A00-	3M2	61028-90A04-	3G3	P -90A00-16	3C4	-90A01-	3L3	-90A17-	3C5	-30060-	3D5
58305-90A08-	3M2	61031-90A02-	3G3	P 62163-90A00-03	3C4	63132-90A00-	3L3	67005-90A20-	3J5	P 67777-22040-23	3J4
58306-90A12-	3M2	61032-90A00-	3G3	P -90A00-16	3C4	63141-90A00-	3I3	-90A27-	3J5	P -22040-36	3J4
58307-90A00-	3M2	61034-90A00-	3J3	P 62164-90A00-03	3C4	63145-90A00-	3L3	67111-90A15-	314	P 67778-22030-23	3J4
58308-90A03-	3M2	61101-90A08-	3G3	P -90A00-16	3C4	P 63310-90A11-08	3E4	-90A18-	314	P -22030-46	3J4
58311-90A19-	3M2	61102-90A07-	3G3	62311-90A00-03	3C4	63341-90A01-	3E4	67112-90A15-	314	P 67805-90A01-	3D5
		61154-90C00-	3G4	-90A00-06	3C4	63343-90A01-	3E4	-90A18-	314	67813-90A00-	3J3
-90A20-	3M2	61161-90A03-	3G3	P -90A01-03	3C4	63344-90A01-	3E4	67113-90A05-	3C5	67814-90A00-	3J3
58315-90A07-	3M2	61162-90A03-	3G3	P -90A01-06	3C4	63353-90A00-	3E4	67114-90A05-	3C5	B 67832-90A04-	3J4
58316-90A07-	3M2	61183-90A01-	3G3	62312-90A00-03	3C4	63354-90A00-	3E4	67118-90A02-	314	P -90A07-	3J4
58325-90A00-	3M2	61184-90A00-	3G3	-90A00-06	3C4	63361-90A00-	3E4	-90A03-	314	67847-90A01-	3K5
58339-90A00-	3M2	61197-90A00-	3H3	P -90A01-03	3C4		3F4	67207-90A00-	3L5	67861-90A00-	3J4
58344-90A01-	3A3	61211-90A01-	3H3	P -90A01-06	3C4	-90A01-	3E4	67209-90A00-	3L5	67862-90A00-	3J4
58345-90A00-	3A3	61212-90A01-	3H3	62313-90A00-03	3C4	-90A02-	3F4	67285-90A00-	3L5	67868-30040-	3D5
58348-90A00-	3M2	61231-90A03-	3H3	-90A00-16	3C4		3E4	67286-90A00-	3L5		
58367-90A00-	3M2	61232-90A02-	3H3	P 62333-90A00-03	3C4	63362-90A00-	3F4	67401-90A00-	314	67871-90A00-	3D5
58410-90A00-	3G4	61263-90A01-	3H3	P -90A00-16	3C4	-90A01-	3F4	67402-90A00-	314	67872-90A00-	3D5
58418-90A00-	3G4	61264-90A01-	3H3	P 62411-90A01-03	3C4	-90A02-	3F4	67403-90A00-	314	67881-90A06-	3K5
58457-90A00-	3G4	61267-90A00-	3H3	P -90A01-16	3C4	63363-90A00-	3F4	67404-90A00-	314	67891-90A01-	3K5
P 58510-90A85-03	3B3	61268-90A00-	3H3	P 62412-90A01-03	3C4	-90A01-	3F4	67407-90A00-	3C5	P 67913-90A00-03	3B3
-90A85-06	3B3	61330-90A04-	3H3	P -90A01-16	3C4	-90A02-	3F4	67408-90A00-	3C5	P -90A00-16	3B3
P 58540-90A83-03	3B3	61340-90A05-	3H3	P 62471-90A00-18	3C4	63371-30050-	3F4	67481-90A00-	314	67917-90A00-03	3C3
-90A83-06	3B3	-90A07-	3H3	P 62472-90A00-18	3C4			67482-90A00-	314	-90A00-16	3C3



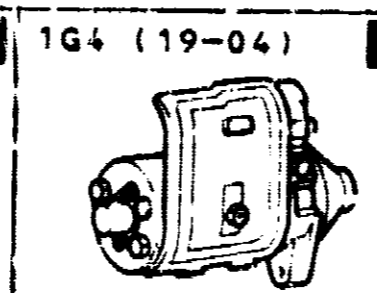
1B4 (19-01)
Ignition Coil & Cord



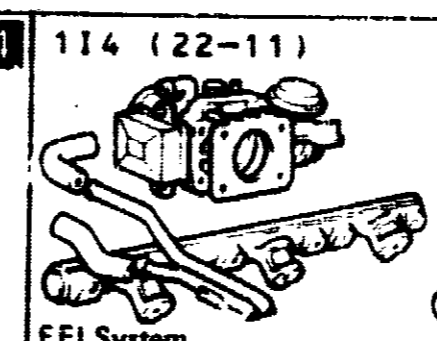
1D4 (19-02)
Distributor



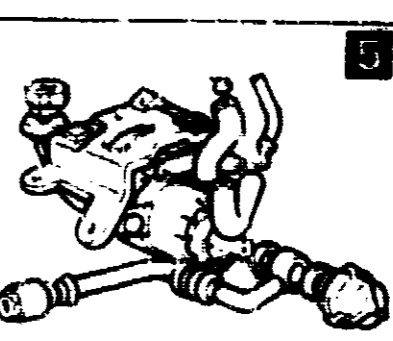
1E4 (19-03)
Alternator



1G4 (19-04)
Starter

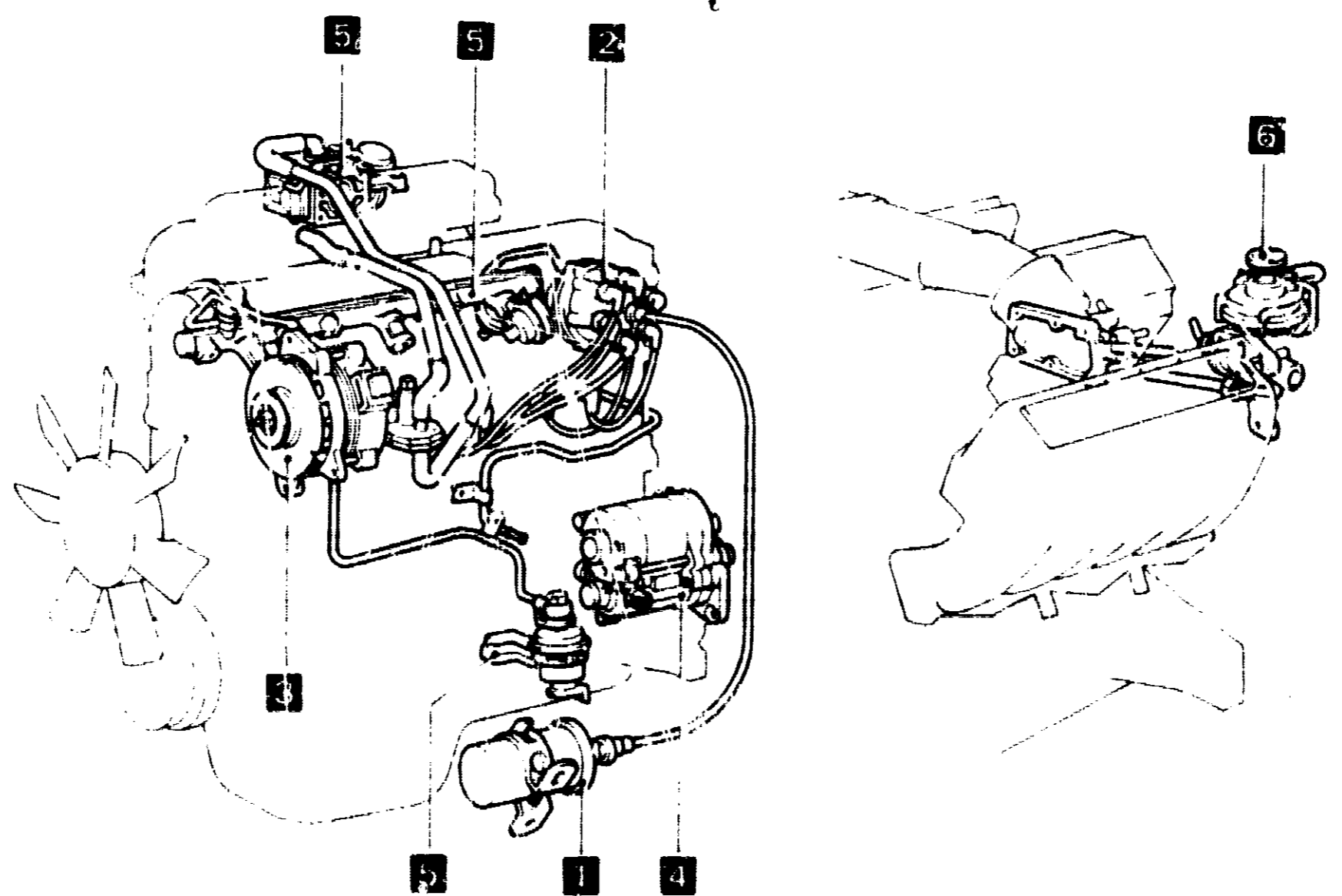


1I4 (22-11)
EFI System

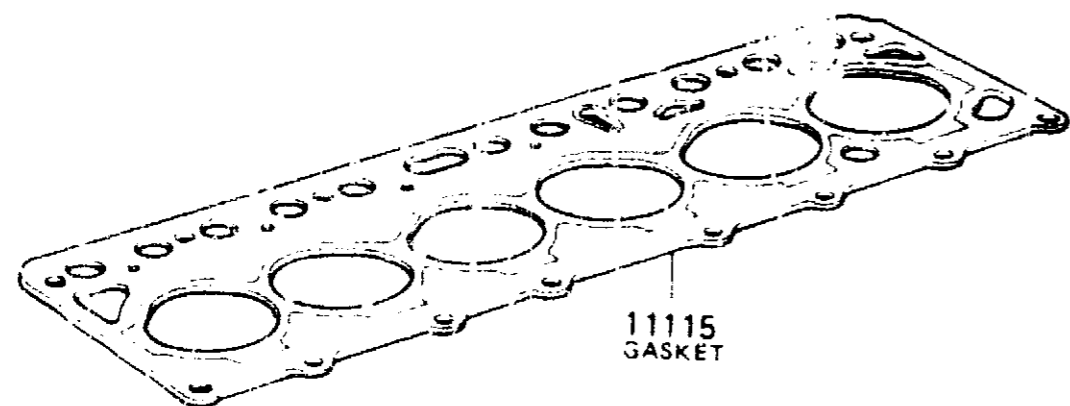
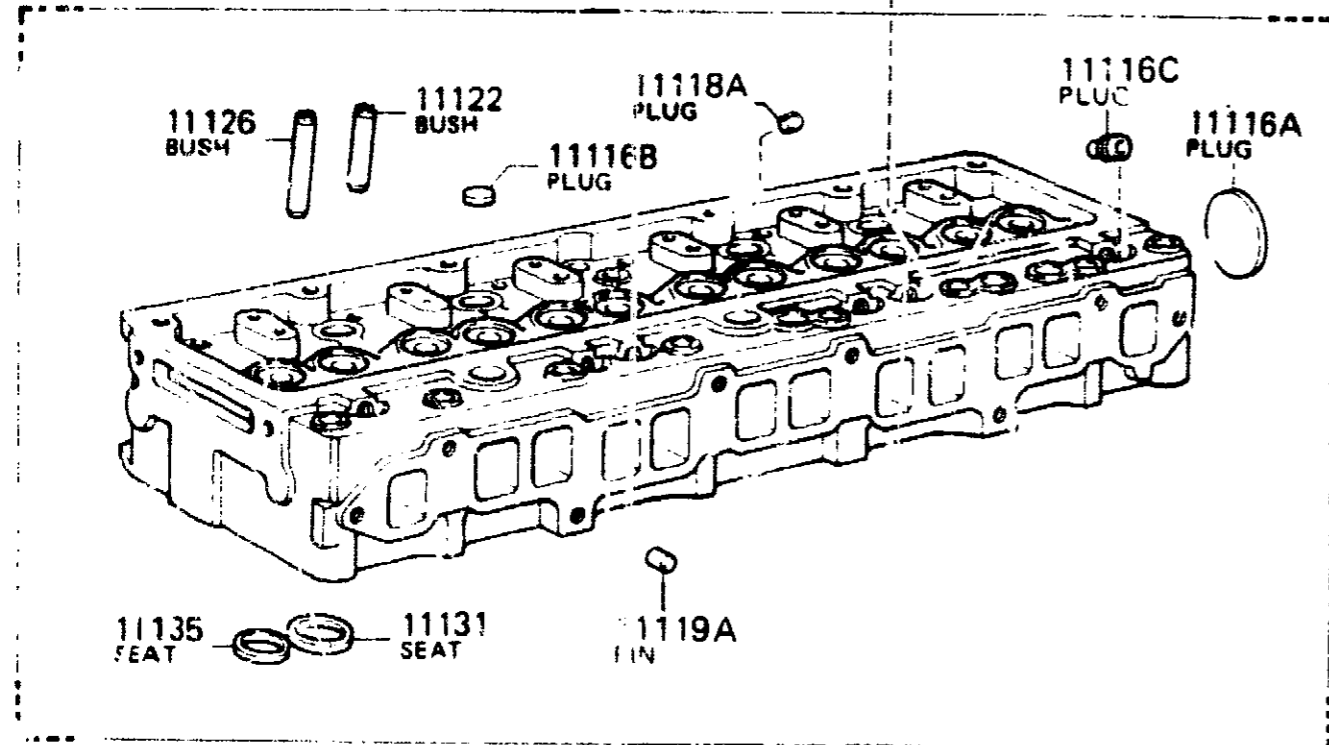
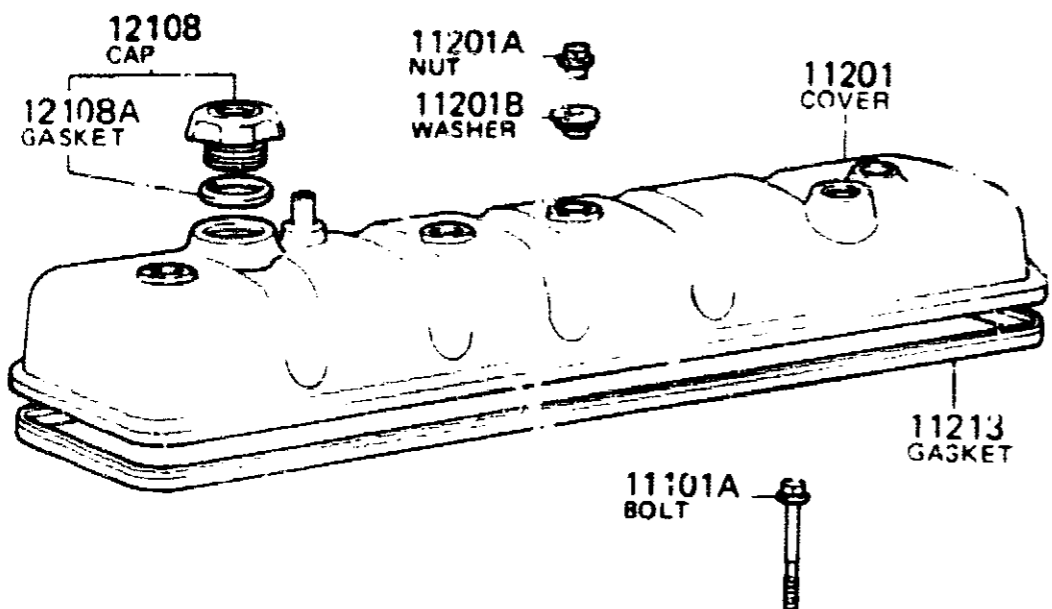


1M4 (25-01)
IGR System

ENGINE, FUEL GROUP (2/2)



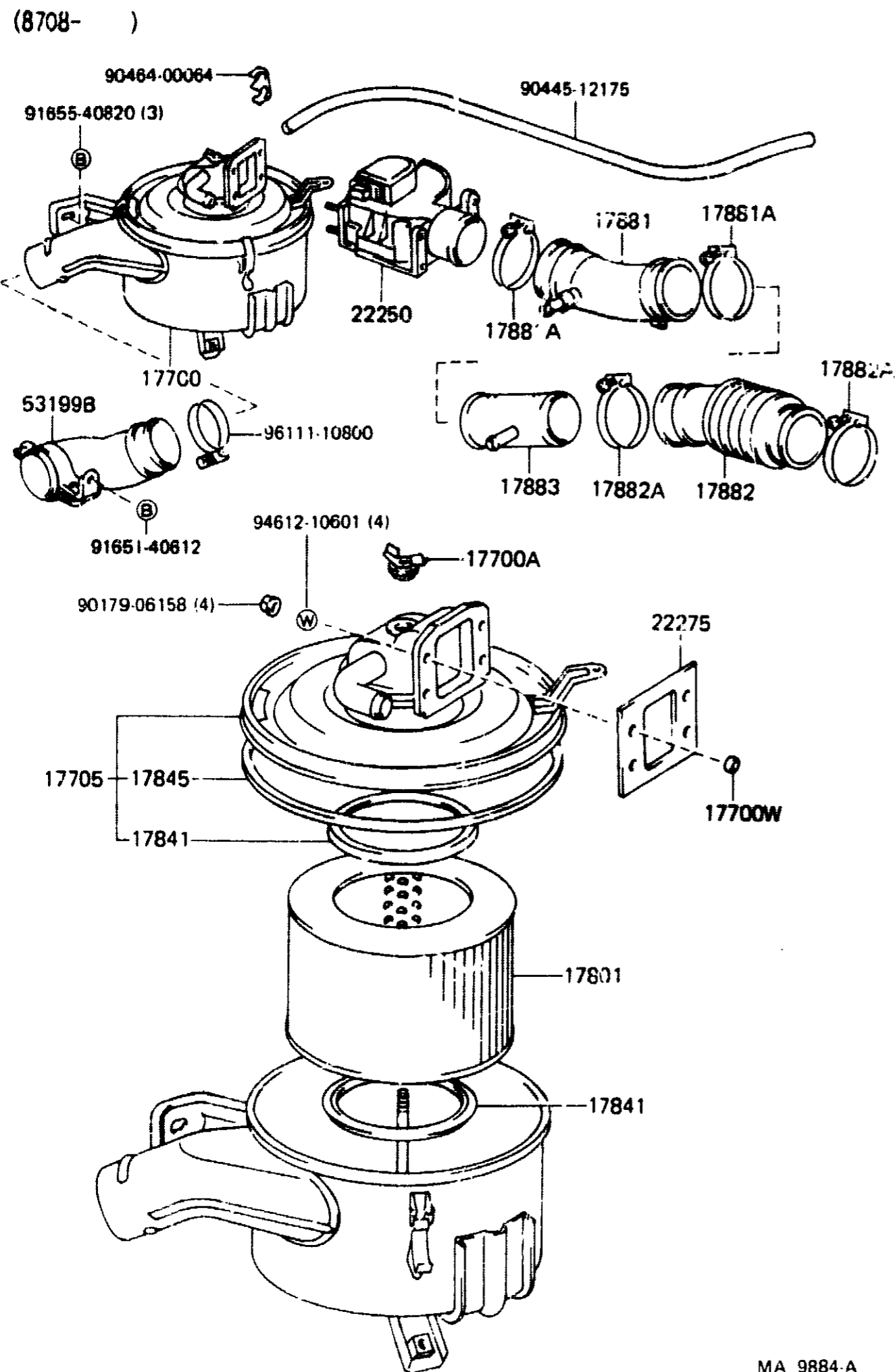
(8708--)



MA 9863

PROD. DATE	MODELS	DESCRIPTION	R / P	PART NUMBER	Q T Y.	REV. REF	
						F	T
8708-9001	3FE..FJ62	1 11101 HEAD SUB-ASSY, CYLINDER		11101-61080-	1		
8708-9001	3FE..FJ62	1 11101A BOLT (FOR CYLINDER HEAD SET)		90105-13005-	2		
8708-9001	3FE..FJ62	*13-1.75PX138-27		90910-02050-	13		
8708-9001	3FE..FJ62	*13-1.75PX120.5-27 *13-1.75PX120.5-27 7					
8708-9001	3FE..FJ62	1 11115 GASKET, CYLINDER HEAD		# 11115-61020- (11115-61030-)	1 1		
8708-9001	3FE..FJ62	1 11116A PLUG, TIGHT, NO.1		96411-45000-	1		
8708-9001	3FE..FJ62	1 11116B PLUG, TIGHT, NO.2		96411-42500-	6		
8708-9001	3FE..FJ62	1 11116C PLUG, TIGHT, NO.3		90340-14001-	2		
8708-9001	3FE..FJ62	1 11118A PLUG, STRAIGHT, NO.1		90334-07009-	1		
8708-9001	3FE..FJ62	1 11119A PIN, STRAIGHT, NO.1		90250-08120-	4		
8708-9001	3FE..FJ62	L=18, OD=8					
8708-9001	3FE..FJ62	1 11122 BUSH, VALVE GUIDE INTAKE		11122-61011-	6		
8708-9001	3FE..FJ62	STD					
8708-9001	3FE..FJ62	O/S 0.05		11123-61011-	6		

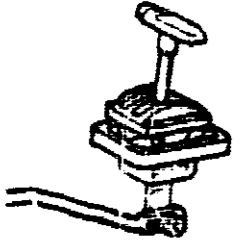
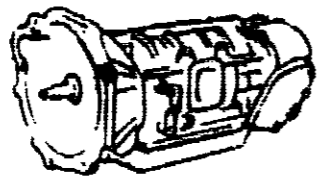
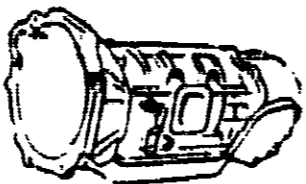


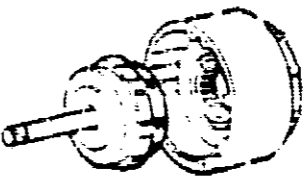

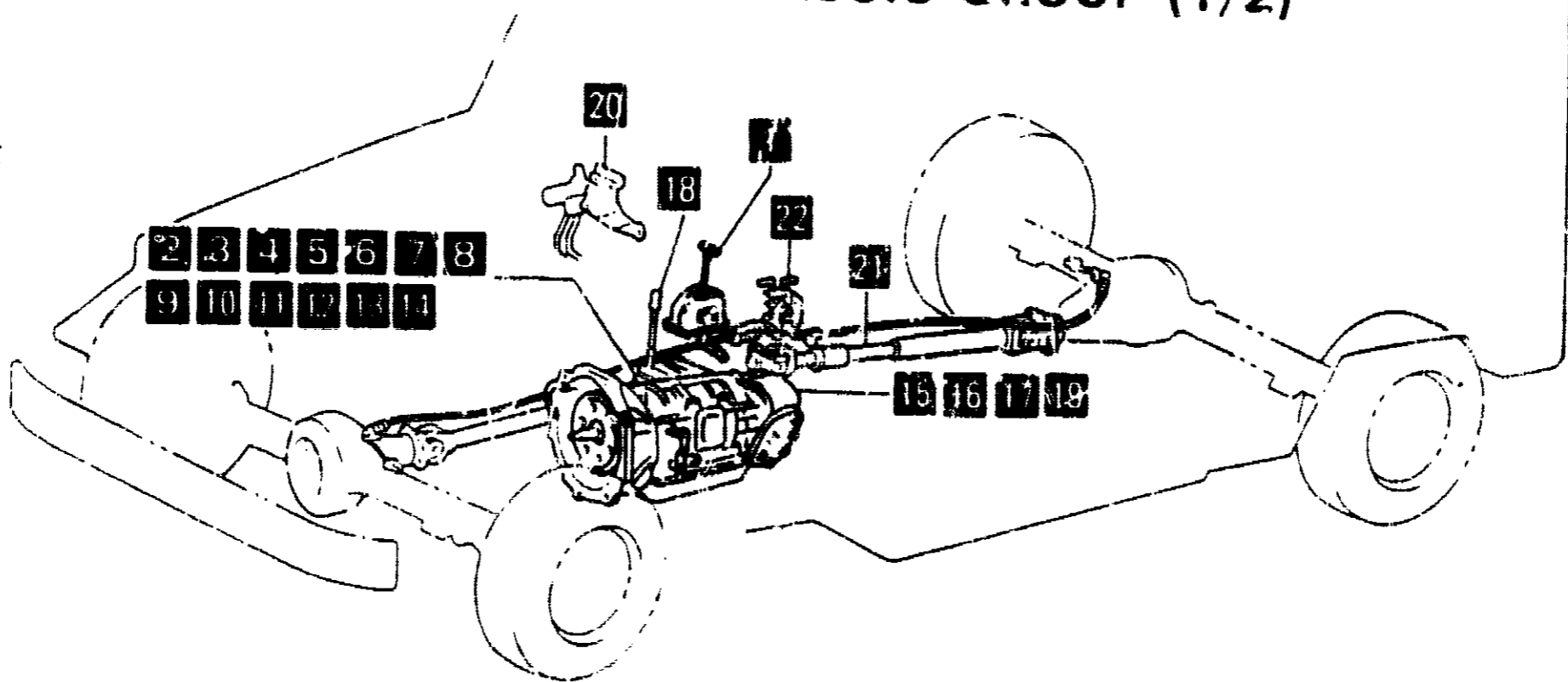
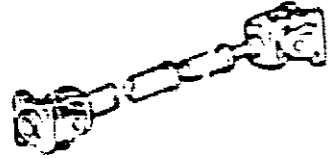
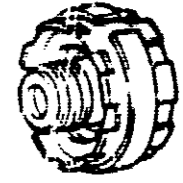

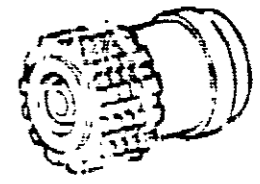



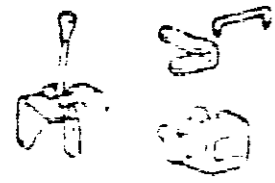

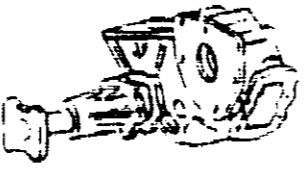
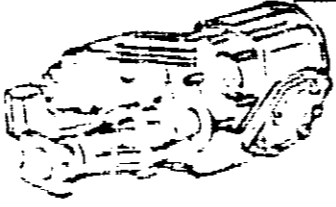
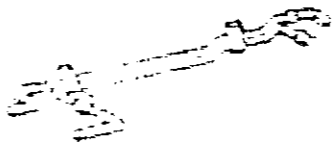
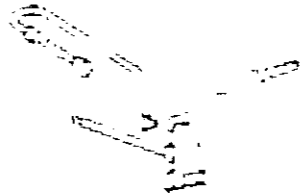


* - P = Outside diameter - Pitch x Bolt length - Thread length



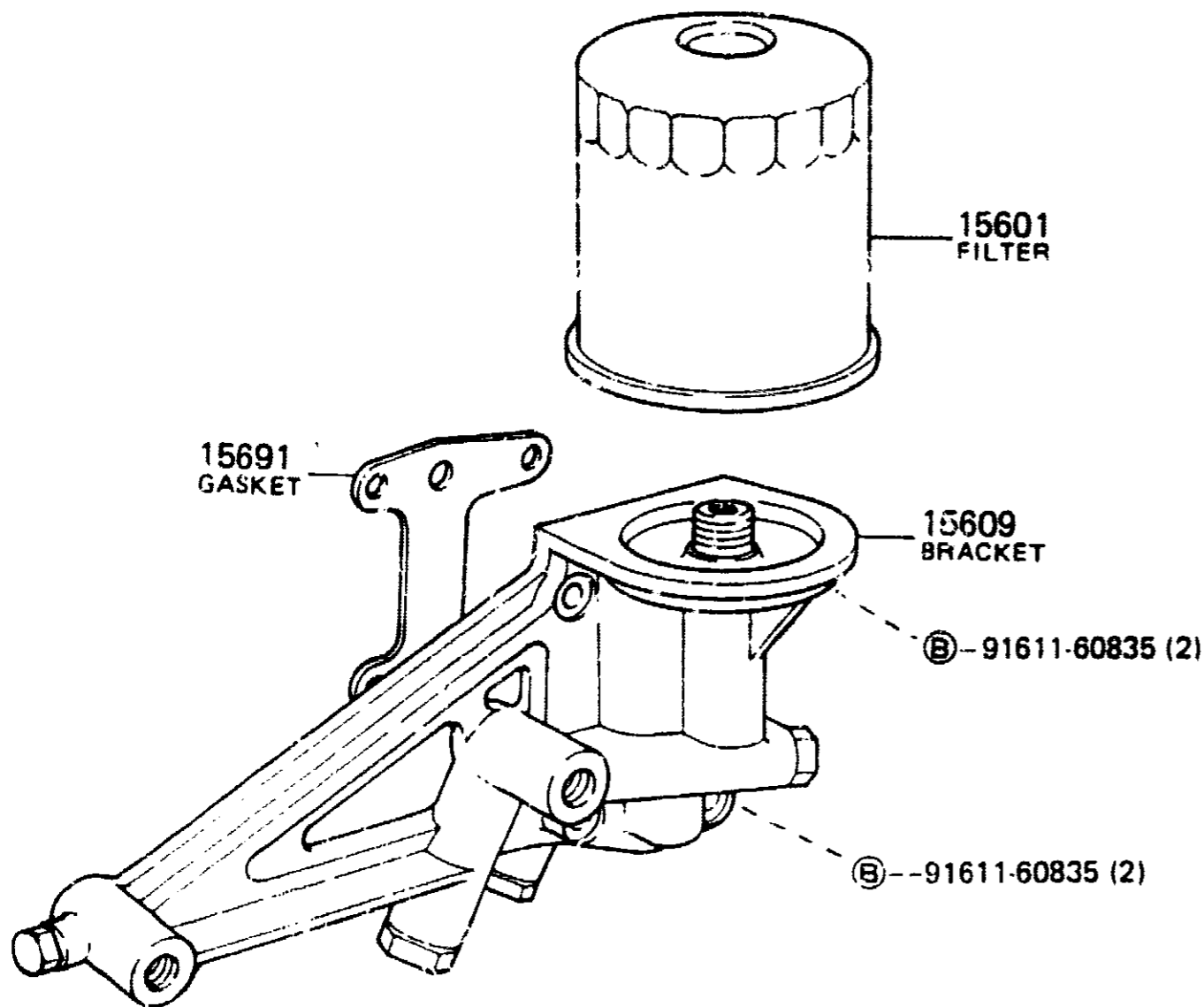
MA 9884-A

PROD. DATE	MODELS	DESCRIPTION	R / P	PART NUMBER	Q T Y.	REV. REF	
						F	T
8708-3001	17700 3FE..FJ62	CLEANER ASSY, AIR		17700-61230-	1		
8708-9001	17700A 3FE..FJ62	NUT, WING (FOR AIR CLEANER)		90175-08008-	1		
8708-9001	17700W 3FE..FJ62	SPACER (FOR AIR CLEANER)		90560-06009-	4		
8708-9001	17705 3FE..FJ62	CAP SUB-ASSY, AIR CLEANER		17705-61130-	1		
8708-9001	17801 3FE..FJ62	ELEMENT SUB-ASSY, AIR CLEANER FILTER		17801-68020-	1		
8708-9001	17841 3FE..FJ62	GASKET, FILTER ELEMENT		17841-68010-	2		
8708-9001	17845 3FE..FJ62	GASKET, AIR CLEANER CAP		17845-61011-	1		
8708-9001	17881 3FE..FJ62	HOSE, AIR CLEANER, NO.1		17881-61090-	1		
8708-9001	17881A 3FE..FJ62	CLAMP (FOR AIR CLEANER HOSE, NO.1)		96111-10930-	2		
8708-9001	17882 3FE..FJ62	HOSE, AIR CLEANER, NO.2		17882-61070-	1		

PART NUMBER	LOCA TION	PART NUMBER	LOCA TION	PART NUMBER	LOCA TION	PART NUMBER	LOCA TION	PART NUMBER	LOCA TION	PART NUMBER	LOCA TION
68111-90A01-	3J4	69310-90A02-	3L4	69971-90A01-	3B5	72510-90A00-	3G6	74404-90A00-	3L6	76608-69015-	3J3
68112-90A01-	3J4	-90A03-	3L4	69973-90A00-	3I5	72520-90A02-	3G6	74431-90A00-	3L6	76620-90A01-	3M2
68113-90A01-	3D5	69320-90A02-	3L4	69975-90A00-	3I5	P 72525-14010-13	3G6	74433-90A00-	3L6	77001-60220-	3J7
68114-90A01-	3D5	-90A03-	3L4	P 71071-90A35-03	3D6	-14010-56	3G6	74451-90A00-	3L6	77030-90A01-	3J7
68123-90A01-	3D5	69330-90A00-	3F5	P -90A35-06	3D6	P 72526-14010-43	3G6	74559-12020-	3M6	77037-90K00-	3J7
68124-90A01-	3E5	-90A01-	3F5	P 71072-90A18-03	3D6	-14010-56	3G6	-20030-	3M6	77169-14010-	1K4
68131-90A20-	3K5	69340-90A00-	3F5	P -90A18-06	3D6	72538-12010-	2B7	-20090-	3M6	77193-60031-	3J7
68141-90A03-	3K4	-90A01-	3F5	P 71073-90A44-03	3D6	P 72551-90A00-03	3G6	-60010-	3M6	77201-60150-	3J7
68142-90A01-	3E5	69350-90A03-	3M5	P -90A44-06	3D6	P -90A00-16	3G6	74564-60010-	3M6	77205-60140-	3J7
68143-90A01-	3K4	69380-90A01-	3M5	71075-90A18-03	3D6	P 72552-90A00-03	3G6	74571-28020-	3M6	77209-60041-	3J7
68170-90A01-	3K4	69390-90A00-	3M5	-90A18-06	3D6	P -90A00-16	3G6	74610-10020-18	3K6	77213-60030-	3J7
68188-90A00-	3E5	69410-90B00-	3G5	P 71077-90A41-03	3D6	72607-90A00-	3G6	-90K00-08	3K6	77244-60110-	3K7
68189-90A00-	3E5		3M4	P -90A41-06	3D6	72630-90A17-	3G6	74617-14010-18	3K6	77249-60040-	3J7
68190-90A01-	3E5	69430-90A01-	3M5	71301-90A00-	3D6	-90A20-	3G6	-16010-08	3K6	-60050-	3J7
68281-90A00-	3K5	69450-90A00-	3M5	71307-90A00-	3D6	72640-90A17-	3G6	74620-90A00-18	3K6	77250-60080-	3J7
68282-90A00-	3K5	69460-90A00-	3M5	71309-90A00-	3E6	-90A20-	3G6	P 74670-90A01-03	3K6	-60081-	3J7
68291-90A01-	3K5	69513-14010-	3A6	71354-90A00-	3E6	72645-90A00	3G6	P -90A01-06	3K6	-60090-	3J7
68610-22010-	3K4	-90A00-	3B6	P 71410-90A33-03	3E6	72651-90A00-	3G6	75330-90A00-	3C7	77261-60080-	3J7
68617-90A01-	3E5	69551-13020-	3B6	P -90A33-06	3E6	P 72660-90A00-03	3G6	75340-90A00-	3C7	77262-60030-	3J7
	3K4	-90A00-	3B6	P 71420-90A31-03	3E6	-90A00-16	3G6	75370-90A02-	3C7	77264-50030-	3K7
68630-90A00-	3E5	69552-95A00-	3B6	P -90A31-06	3E6	72670-90A02-	3G6	75415-95660-	3M5	77293-60030-	3K7
68710-14020-	3A5	69563-90A00-	3B6	P 71430-90A39-03	3E6	72680-90A02-	3G6	75430-90K00-	3C7	77305-90A01-	3K7
-30080-	3H5	69581-14010-	3B6	P -90A39-06	3E6	P 72694-90A00-03	3G6	75442-90A01-	3C7	77310-12100-	3K7
68720-14020-	3A5	69681-20040-	3B6	P 71440-90A37-03	3E6	P -90A00-16	3G6	75505-90A00-	3D7	77316-12050-	3K7
-30020-	3H5	69690-90A01-	3M5	P -90A37-06	3E6	73003-90A00-03	3H6	75506-90A00-	3E7	77358-12020-	3K7
68730-14020-	3A5	69705-90A00-	3M5	P 71460-90G12-03	3E6	-90A00-06	3H6	75531-90A00-	3D7	77366-12010-	3K7
	3H5	P 69706-90A00-03	3M5	P -90G12-06	3E6	73210-90A26-03	3H6	75533-90A00-	3D7	77601-60060-	3K7
68740-14020-	3A5	-90A00-06	3M5	P 71480-90G28-03	3E6	-90A26-06	3H6	75534-90A00-	3D7	77602-60040-	3K7
	3H5	69711-90A00-	3M4	P -90G28-06	3E6	-90A29-03	3H6	75535-90A00-	3D7	77740-60130-	3K7
68810-90A00-	3L5	69712-90A00-	3M4	71739-90A00-	3E6	P -90A29-06	3H6	75541-90A00-	3D7	77751-60020-	3K7
68868-90A00-	3L5	69713-90A00-	3G5	P 71825-90A00-03	3E6	73220-90A15-03	3H6	75543-90A00-	3D7	78111-95110-	3M7
68950-69045-	3M5	69714-90A00-	3G5	P -90A00-16	3E6	-90A15-06	3H6	75553-90A00-	3E7	78118-90K00-	3M7
68961-23010-	3H5	69722-90A00-	3M5	P 71826-90A00-03	3E6	P -90A17-03	3H6	75554-90A00-	3E7	78120-90A08-	3M7
69005-90A47-	3A6	69736-90K00-	3G5	P -90A00-16	3E6	P -90A17-06	3H6	75575-90A00-	3E7	-90A09-	3M7
-90A62-	3A6		3M4	P 71827-90A00-03	3E6	P 73230-90A17-06	3H6	75583-90A00-	3E7	78180-90A24-	3M7
69051-90A06-	3A6	P 69741-90K00-06	3G5	P -90A00-16	3E6	P -90A17-13	3H6	75586-90A00-	3E7	78184-90A01-	3M7
69052-90A06-	3A6		3M4	P 71828-90A00-03	3E6	P 73240-90A20-03	3H6	75596-90A00-	3E7	-90A03-	3M7
69055-90A06-	3A6	69747-20020-01	3M5	P -90A00-16	3E6	P -90A20-06	3H6	75631-90A01-	3M3	78410-90A03-	3M7
-90A11-	3A6	69749-12010-	3G5	P 71829-90A00-03	3E6	73330-90A04-13	3I6	75641-90A00-	3E7	-90A08-	3M7
69056-90A01-	3A6		3L1	P -90A00-16	3E6	-90A04-16	3I6	75642-90A00-	3E7	78471-90A00-	3M7
69057-90A08-	3A6		3M4	P 71835-90A00-03	3F6	-90A05-13	3I6	75645-90A00-	3E7	81105-90A27-	3A8
69058-90A02-	3A6	-30020-	3M5	P -90A00-16	3F6	-90A05-16	3I6	75646-90A00-	3E7	81106-90A27-	3A8
69205-20020-	3F5	69751-20040-	3E5	P 71836-90A00-03	3F6	-90A37-03	3I6	75710-90A02-	3I7	81110-90A28-	3A8
	3L4		3K4	P -90A00-16	3F6	-90A37-06	3I6	75720-90A02-	3E7	81111-20360-	3A8
69206-20020-	3F5	69759-30021-	3G5	P 71837-90A01-03	3F6	-90A46-03	3I6	75730-90A01-	3E7		3B8
	3L4		3M4	P -90A01-06	3F6	P 73360-90A40-03	3I6	75740-90A01-	3E7	81113-90B04-	3A8
69210-90A00-	3L4	69764-90A00-	3M5	71887-90A00-	3F6	P -90A40-06	3I6	75751-90A00-	3E7	81114-22391-	3B8
69212-90A00-	3M5	69767-90A00-	3M5	P 71910-90A01-03	3F6			75752-90A00-	3E7	81121-14320-	3A8
69220-90A00-	3L4	69770-90A02-	3G5	P -90A01-16	3F6	P 73380-90A20-03	3I6	75755-90A00-	3F7	81131-28050-	3A8
69230-90A00-	3F5	-90A03-	3G5	71930-10060-33	3F6	P -90A20-06	3I6	75756-90A00-	3F7	81150-90A28-	3B8
69240-90A00-	3F5	69780-90A02-	3G5	P -10060-36	3F6	74102-90A01-	3A7	75761-90A00-	3F7	81153-90B04-	3B8
P 69260-12010-03	3A5	-90A03-	3G5	71931-10010-33	3F6	74104-90A01-	3A7	75762-90A00-	3F7	81154-22391-	3A8
	3H5	69801-90A00-	3A5	-10010-36	3F6	P 74105-10010-10	3A7	75763-90A00-	3F7	P 81240-22070-08	3J8
	3A5	69802-90A00-	3A5	71955-90K00-01	3F6	-10010-13	3A7	75764-90A00-	3F7	-95A16-	3J8
	3H5	69803-90A00-	3H5	71956-30020-13	3F6	74135-10030-	3A7	75765-90A00-	3F7	P 81241-20060-	3J8
69273-30020-	3F5	69804-90A00-	3H5	P -30020-56	3F6	74137-10030-	3A7	75766-90A00-	3F7	81260-22030-	3J8
	3L4	69810-90A02-	3A5	71990-30020-13	3F6	P 74250-90A00-03	3K6	75812-90A00-	3E7	P 81270-95A07-	3H8
P 69277-16040-23	3F5	69820-90A02-	3A5	P -30020-56	3F6	P -90A00-16	3K6	75813-90A00-	3C7	P 81271-	3H8
	3L4	69830-90A01-	3H5	72110-90A04-	3F6	P 74310-90A28-08	3K6	75850-69015-	3F7	P 81272-1000-	3H8
	3F5	69840-90A01-	3H5	72120-90A04-	3F6	P -90A52-08	3K6	75860-69015-	3F7	P 81274-95A00-	3H8
	3L4	69901-90A03-	3B5	72130-90A03-	3F6	P 74320-90A25-08	3K6	75867-20020-	3F7	P 81510-90A13-	3C8
69285-22010-08	3A5	69902-90A02-	3B5	72140-90A00-	3F6	P -90A42-08	3K6	76603-69015-	3K1	P 81511-90A13-	3C8
	3H5	69905-90A03-	3I5	72145-90A00-	3F6	P 74348-12010-18	3K6	76604-69015-	3K1	P 81515-90A13-	3C8
69289-90A00-	3M5	69906-90A03-	3I5	72146-90A00-	3G6	P 74372-90A00-	3C11	76607-69015-	3J3	P 81520-90A13-	3C8

<p>2A1 (33-12) 1</p>  <p>Shift Lever & Retainer</p>	<p>2D1 (35-01) 2</p>  <p>Transmission Assy</p>	<p>2G1 (35-03) 3</p>  <p>Transmission Case</p>	<p>2J1 (35-05) 4</p>  <p>Speedometer Driven Gear</p>	<p>2E1 (35-02) 5</p>  <p>Torque Converter & Chain</p>	<p>2K1 (35-06) 6</p>  <p>Overdrive Gear</p>	<p>2A2 (35-07) 7</p>  <p>Multiple Disc Clutch</p>
<p>POWER TRAIN-CHASSIS GROUP (1/2)</p> 						
<p>2K4 (37-01) 21</p>  <p>Propeller Shaft</p>						<p>2D2 (35-08) 8</p>  <p>Planetary Pin Gear</p>
<p>2J4 (36-16) 20</p>  <p>Vacuum Shift Valve</p>						<p>2F2 (35-09) 9</p>  <p>Brake No. 3</p>
<p>2H4 (36-12) 19</p>  <p>Diaphragm Cylinder</p>	<p>2M5 (42-01) 22</p>  <p>Differential Lock Control</p>					<p>2G2 (35-10) 10</p>  <p>Planetary Gear</p>
<p>2F4 (36-11) 18</p>  <p>Transfer Lever</p>	<p>2C4 (36-10) 17</p>  <p>Transfer Gear</p>	<p>2A4 (36-09) 16</p>  <p>Transfer Case</p>	<p>2M3 (36-08) 15</p>  <p>Transfer Assy</p>	<p>2K3 (35-14) 14</p>  <p>Oil Cooler & Tube</p>	<p>2I3 (35-13) 13</p>  <p>Throttle Link</p>	<p>2I2 (35-11) 11</p>  <p>Governor</p>
						<p>2K2 (35-12) 12</p>  <p>Valve Body</p>

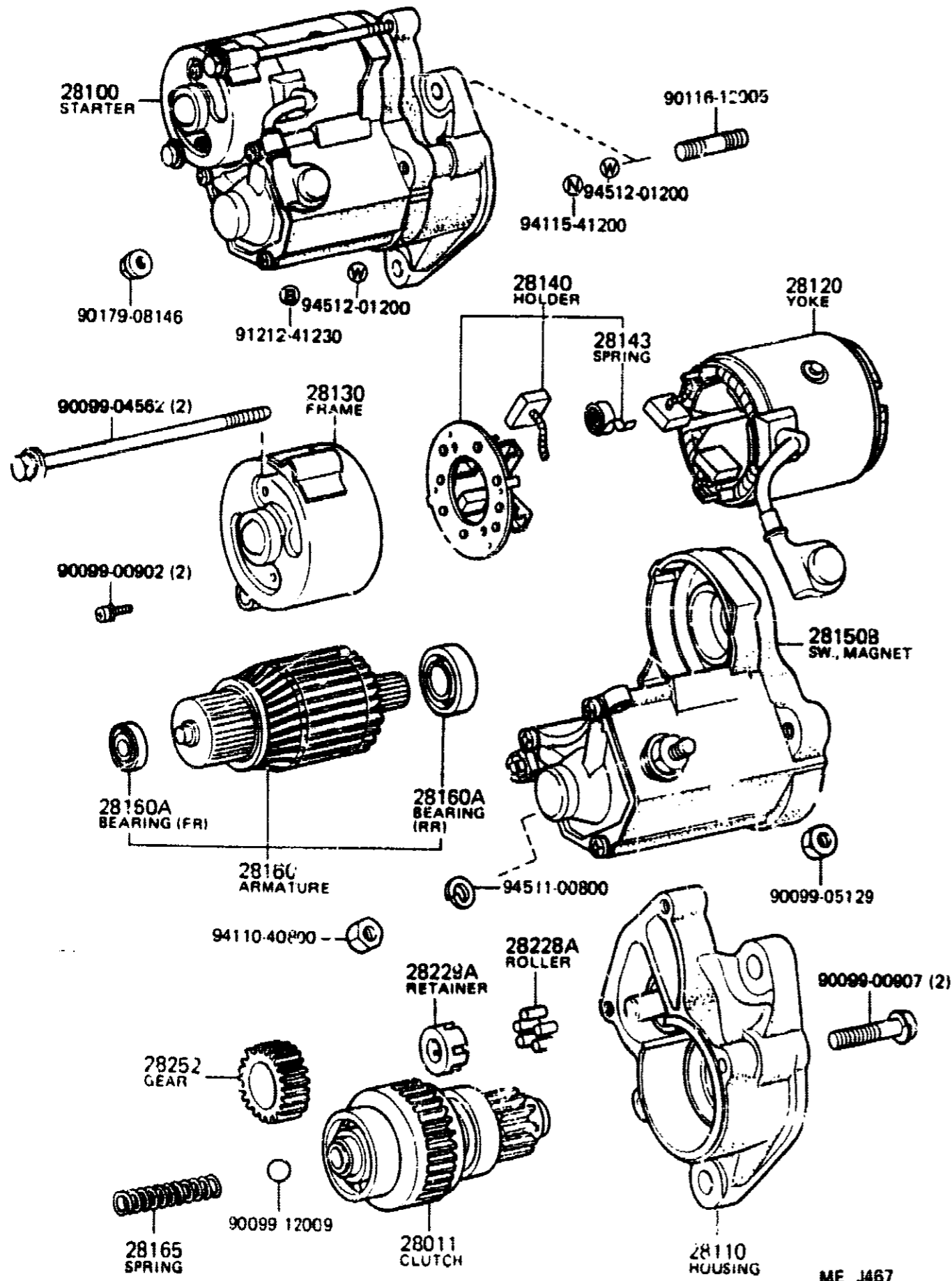
(8708-)



MA A220

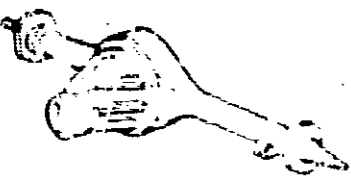



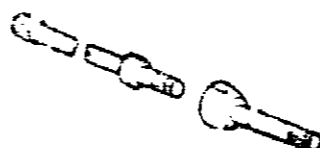

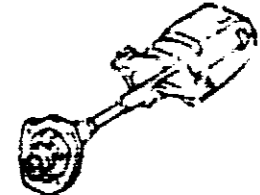
PROD. DATE	MODELS	DESCRIPTION	R / P	PART NUMBER	Q T Y.	REV. REF	
						F	T
8708-9001	15601 3FE..FJ62	FILTER SUB-ASSY, OIL		15600-41010-	1		
8708-9001	15609 3FE..FJ62	BRACKET SUB-ASSY, OIL FILTER		15609-61012-	1		
8708-9001	15691 3FE..FJ62	GASKET, OIL FILTER		15691-60010-	1		

(8708-)
12V 1.0KW

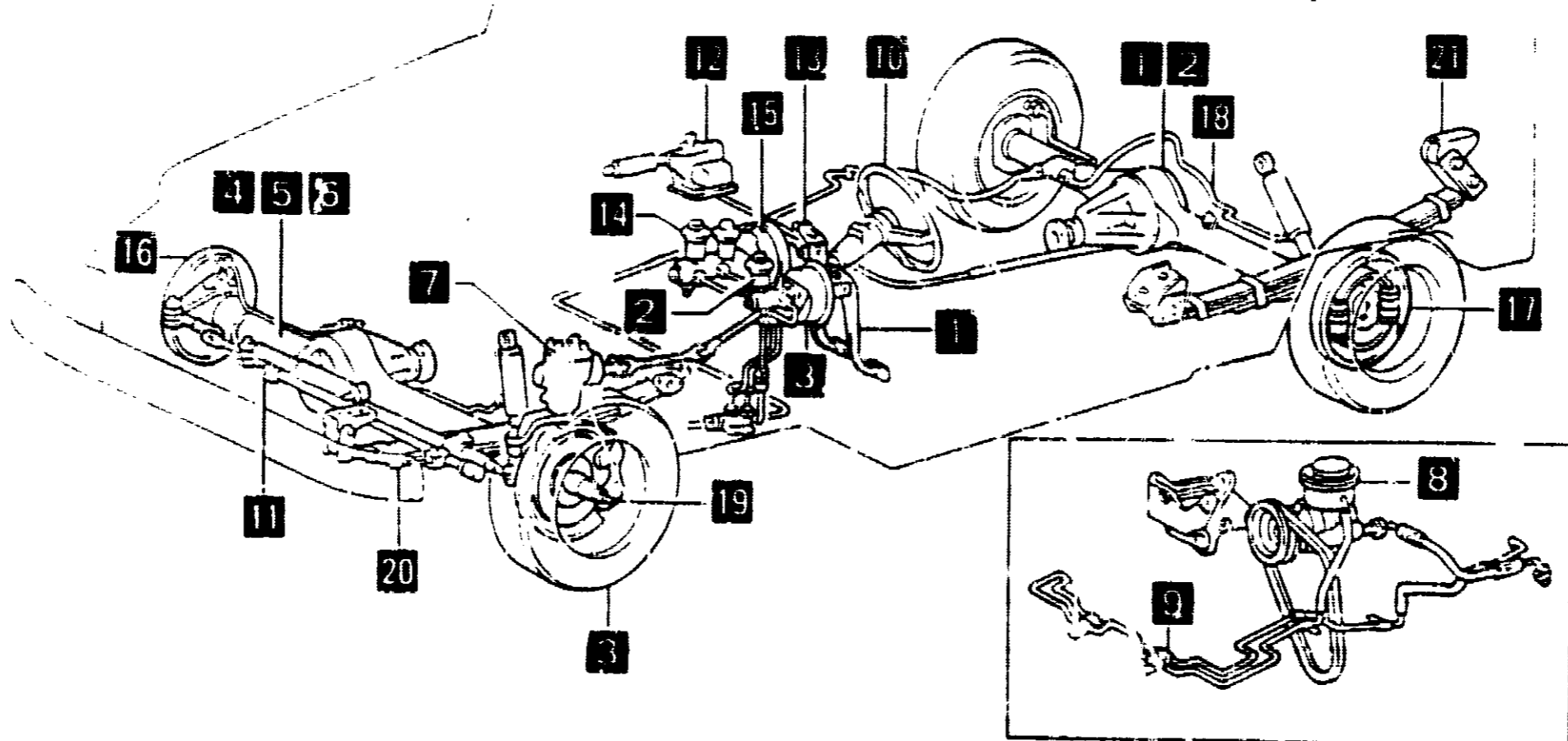


PROD. DATE	MODELS	DESCRIPTION	PART NUMBER	QTY.	REV. REF	
					F	T
8708-9001	28011	CLUTCH SUB-ASSY, STARTER	28011-26042-	1		
8708-9001	28100	STARTER ASSY 12V 1.0KW	28100-60070-	1		
8708-9001	28110	HOUSING ASSY, STARTER DRIVE	28110-60070-	1		
8708-9001	28120	YOKE ASSY, STARTER	28120-26071-	1		
8708-9001	28130	FRAME ASSY, STARTER COMMUTATOR END	28130-34060-	1		
8708-9001	28140	HOLDER ASSY, STARTER BRUSH	28140-26070-	1		
8708-9001	28143	SPRING, STARTER BRUSH	90099-17112-	4		
8708-9001	28150B	SWITCH ASSY, MAGNETIC	28150-34080-	1		
8708-9001	28160	ARMATURE ASSY, STARTER	# 28160-26070- (28160-26071-)	1		
8708-9001	28160A	BEARING, STARTER ARMATURE	28253-45020-	1		
8708-9001		FRONT	90099-10113-	1		
8708-9001		REAR				

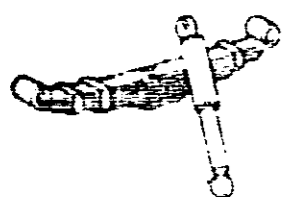
PART NUMBER	LOCATION	PART NUMBER	LOCATION	PART NUMBER	LOCATION	PART NUMBER	LOCATION	PART NUMBER	LOCATION	PART NUMBER	LOCATION
P 81521-90A13-	3C8	82181-90A00-	3A9	84722-60070-	3J9	85450-90A04-	3I10	87130-90A01-	3F11	P 88375-20010-	3C12
P 81550-90A11-	3F8	82182-90A02-	3A9	P 84730-90A00-	3J9	-90A06-	3I10	87138-22030-	3F11	P -30270-	3C12
P 81551-90A00-	3F8	82183-90A01-	3A9	N -90A02-	3J9	85460-90A02-	3I10	-90K02-	3F11	P 88376-22010-	3C12
P 81552-90A00-	3F8	82184-90A03-	3A9	84732-90A00-	3J9	85470-90A02-	3I10	87150-90A14-	3F11	P -22020-	3C12
P 81554-90A12-	3F8	82185-90A05-	3A9	84760-90A01-	3J9	85480-90A02-	3I10	87201-90A02-	3J11	88403-12030-	3C12
P 81557-90A00-	3F8	82187-90A00-	3A9	84790-90A09-	3J9	85500-90A07-	3J9	-90A04-	3J11	B -16011-	3C12
P 81558-90A00-	3G8	82282-90A04-	3B9	P 84810-90A02-07	3J9	85520-14030-	3J9	87208-90A15-	3L11	88410-22080-	3C12
P 81560-90A11-	3F8	-90A05-	3B9	P -90A02-06	3J9	85710-90A00-	3I10	-90K06-	3L11	B -60120-	3C12
P 81561-90A00-	3F8	82291-90A02-	3B9	P -90A03-03	3J9	-90A01-	3I10	87211-90A01-	3J11	88411-14050-	3B12
P 81562-90A00-	3F8	82345-12050-	3B9	P -90A03-06	3J9	85720-90A00-	3I10	87212-90A00-	3F11	B -60020-	3B12
P 81564-90A12-	3F8	-32020-	3B9	P 84820-90A08-03	3J9	-90A01-	3I10	87240-90A00-	3L11	88412-22030-	3B12
P 81564-90A12-	3F8	82616-12010-	3H9	P -90A08-06	3J9	85910-14020-	3L9	-90A02-	3F11	B -28030-	3B12
P 81610-90A03-	3D8	82650-12020-	3H9	84870-14060-	3J9	85913-30020-	3J9	87245-90A00-	3L11	88431-60040-	3C12
P 81611-90A00-	3D8	-20011-	3H9	-22040-	3J9	85915-60010-	3L9	-90A27-	3L11	-60100-	3C12
P 81612-90A00-	3D8	82670-90K00-	3B9	-90A00-	3J9	85927-60040-	3K9	-90A28-	3L11	88440-35010-	3C12
P 81615-90A03-	3D8	82683-90A20-	3H9	84956-60030-	3J9	85930-90A00-	3K9	-90A29-	3L11	88460-90A14-	3M11
P 81620-90A03-	3D8	-90A21-	3H9	85010-90A00-	3C10	85940-90A09-	3K9	-90A30-	3L11	88469-22010-	3M11
P 81621-90A00-	3D8	82821-12150-	3B9	P 85031-30020-	3G10	-90A10-	3K9	-90A40-	3L11	88470-14010-	3M11
P 81730-14110-	3E8	83101-14040-	3D9	85035-90A02-	3F10	85991-20020-	3K9	-90A41-	3L11	88472-90A01-	3M11
A -90A05-	3E8	-20040-	3D9	P -90A03-	3G10	85999-12050-	3K9	-90A50-	3L11	88482-90A00-	3G11
P 81731-14110-	3E8	-36010-	3D9	85120-90A35-	3A10	-89101-	3K9	-90K36-	3L11	P 88501-90A07-	3G11
P 81740-14110-	3E8	83110-90A46-	3D9	85160-90A07-	3A10	86120-20680-	3K10	-90K53-	3L11	P 88510-90A04-	3G11
A -90A05-	3E8	-90A47-	3D9	A 85164-90A02-	3A10	-32130-	3K10	87248-90A01-	3F11	N -90A25-	3C11
P 81741-14110-	3E8	83132-90A04-	3D9	A 85165-90A01-	3A10	-32211-	3K10	-90A03-	3F11	P 88515-87004-	3G11
P 81750-91255-	3I8	83134-90A06-	3D9	85174-12320-	3C10	-32340-	3K10	-90A22-	3L11	P 88539-90A00-	3G11
P 81751-14030-	3I8	83138-90A00-	3D9	85178-12320-	3C10	-32370-	3K10	-90A24-	3L11	88578-90A02-	3M11
P 81754-91255-	3I8	83145-90A01-	3D9	-90A00-	3A10	-32390-	3K10	-90A25-	3L11	P 88605-90A09-	3G11
P 81755-20060-	3I8	-90A02-	3D9	85190-90A02-	3A10	-90A18-	3K10	87286-90A01-	3J11	88610-90A07-	3G11
81850-90A14-	3E9	83243-90A03-	3D9	-90A06-	3C10	86128-17150-	3K10	P 87810-90A03-	3C11	P 88626-90A01-	3G11
-90A15-	3E9	83244-90A02-	3D9	85192-14010-	3A10	-17190-	3K10	P 87828-90A00-	3C11	N -90A02-	3H11
-90A25-	3E9	83245-90A03-	3D9	85195-95700-	3C10	-20020-	3K10	P -90A01-	3C11	88630-14010-	3J9
-90A31-	3E9	83246-90A05-	3D9	85210-90A01-	3A10	-20040-	3K10	P 87834-14011-28	3C11		3K9
-90A35-	3E9	83247-90A05-	3D9	85220-16270-	3A10	-22690-	3K10	A 87910-90A18-	3C11	88645-30250-	3H11
81930-90A10-	3E9	83270-90A10-	3D9	-16340-	3A10	-22710-	3K10	P -90A19-	3C11	88648-90A00-	3H11
-90A15-	3E9	-90A15-	3D9	-90A02-	3C10	-28140-	3K10	N -90A20-	3C11	88650-90A03-	3H11
81980-16010-	3H9	83320-69015-	3H9	85221-30100-	3A10	-28160-	3K10	P 87911-90A05-	3C11	88711-90A09-	3M11
82121-90A03-	3M8	83361-20030-	3I9	-90A02-	3C10	-32190-	3K10	P -32210-	3D11	88712-90A09-	3M11
-90A04-	3M8	83420-20020-	3I9	85247-90A01-	3B10	86151-90K01-	3M10	P 87940-90A09-	3D11	88716-90A27-	3H11
82122-90A01-	3M8	83520-60010-	3I9	P 85271-90A00-	3G10	86160-90A05-	3M10	P -90A11-	3C11	-90A43-	3M11
82124-90A01-	3M8	83710-90A06-	3D9	P -90A01-	3G10	-90A06-	3M10	N -90A15-	3D11	88721-90A07-	3M11
82125-90A09-	3M8	-90A13-	3D9	P -90A02-	3G10	-90A06-	3M10	88320-60151-	3B12	-90A08-	3M11
82131-90G89-	3M8	-90A20-	3D9	85276-14010-	3G10	-90K02-	3M10	B -60280-	3B12	88723-12010-	3M11
-90G98-	3M8	83910-90A11-	3D9	85310-14090-	3D10	86209-90A00-	3M10	88321-14011-	3B12	89412-12010-	3K9
82132-90A15-	3M8	84112-69295-	3I9	-22070-	3G10	86211-90A06-	3K10	B -14021-	3B12	89422-20010-	3L9
82141-90A20-	3M8	84118-90A00-	3I9	-22080-	3F10	86212-90A03-	3K10	88322-14011-	3B12	-30020-	3L9
-90A21-	3M8	84119-90A01-	3I9	85330-90A04-	3G10	86260-12180-	3K10	B -14020-	3B12	89423-60020-	3K9
82151-90A05-	3A9	84140-35080-	3I9	-90A07-	3D10	-20170-	3K10	88335-12030-	3C12	89428-14070-	3L9
-90A08-	3M8	84222-60021-	3I9	-90A08-	3F10	-30250-	3K10	-12050-	3B12	-36010-	3K9
-90A10-	3A9	-60030-	3I9	85332-20050-	3F10	86269-90K00-	3M10	B -14010-	3C12	89437-60010-	3K9
-90A13-	3A9	-60040-	3I9	-90A00-	3G10	-90K01-	3M10	B -14020-	3C12	B 89452-14050-	3L9
82152-90A05-	3A9	-60071-	3I9	-90A01-	3D10	86300-90A17-	3A11	88341-14010-	3B12	P -28030-	3L9
-90A06-	3A9	84230-22051-	3I9	85333-20020-	3D10	-90A25-	3A11	B -14020-	3B12	89462-20010-	3L9
82153-90A01-	3A9	84231-28010-	3I9	-50010-	3D10	86510-22120-	3B11	88342-14010-	3B12	-20040-	3L9
82154-90A03-	3A9	84242-90A00-	3I9	85336-10010-	3G10	86520-22120-	3B11	B -14020-	3B12	89465-69015-	3K9
82155-90A02-	3A9	84310-60700-	3I9	85338-22020-	1L2	86995-90A02-	3E9	88343-14011-	3C12	A 89466-20020-	3K9
82161-90A40-	3A9	84312-20011-	3I9	85341-90A05-	3D10	87104-90A00-	3F11	B -14020-	3C12	A -30010-	3K9
82162-90A38-	3A9	84332-69055-	3I9	-90A06-	3D10	-90K03-	3F11	88344-14011-	3C12	89530-60020-	3K9
82163-90A21-	3A9	84340-22072-	3I9	85348-91010-	3I10	87105-14020-	3F11	B -14020-	3C12	89620-14410-	3K9
82164-90A03-	3A9	84380-20010-	3I9	85349-99122-	3F10	-87002-	3F11	B 88356-12010-	3C12	89661-60010-	3L9
82166-9CA00-	3A9	84450-60150-	3I9	P 85352-2010-	3G10	87107-90A04-	3F11	B 88360-14030-	3C12	-60011-	3L9
82171-90A10-	3A9	84460-22010-	2E8	85355-14481-	3F10	-90A06-	3F11	-40010-	3C12	-60020-	3L9
82173-90A00-	3A9	84540-60020-	3I9	-20200-	3F10	87110-90A02-	3F11	88371-60101-	3C12	-60021-	3L9
		84652-69345-	3I9	85361-10070-	3H10	87126-16010-	3F11	N 60170-	3C12	89667-60010-	3M9
		84653-32020-	3J9	85440-60120-	3J9	-90A01-	3F11	P 88374-12020-	3C12	89668-60010-	3M9

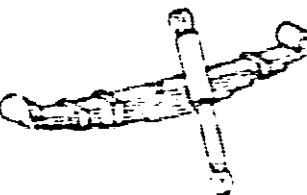
214 (41-01) 14  Rear Axle Housing	2H5 (41-02) 2  Rear Axle Shaft & Hub	2K5 (41-03) 3  Disc Wheel & Cap	2C6 (43-01) 4  Front Axle Housing	2J6 (43-02) 5  Drive Shaft	2K6 (43-03) 6  Front Axle Hub	216 (45-01) 7  Steering Column & Shaft
--	--	--	---	--	---	--


POWER TRAIN-CHASSIS GROUP (2/2)

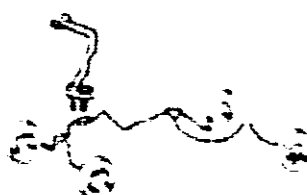


21


2K9 (48-04) 21  Rear Spring
--


2G9 (48-03) 20  Front Spring
--


2E9 (48-02) 19  Front Axle Arm
--

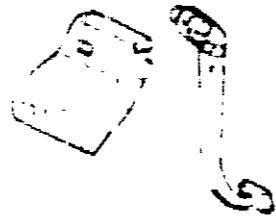
2M8 (47-08) 18  Rear Disc Brake Caliper


2J8 (47-06) 17  Rear Backing Plate
--

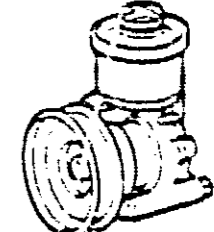
2H8 (47-05) 16  Front Disc Brake Caliper

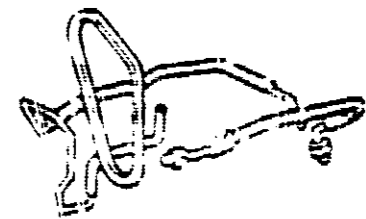
2F8 (47-03) 15  Brake Drum
--

2D8 (47-02) 14  Brake Master Cylinder

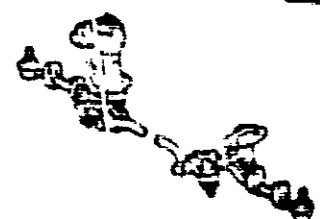
2C8 (47-01) 13  Brake Pedal & Bracket

2A8 (46-01) 12  Parking Brake & Cable

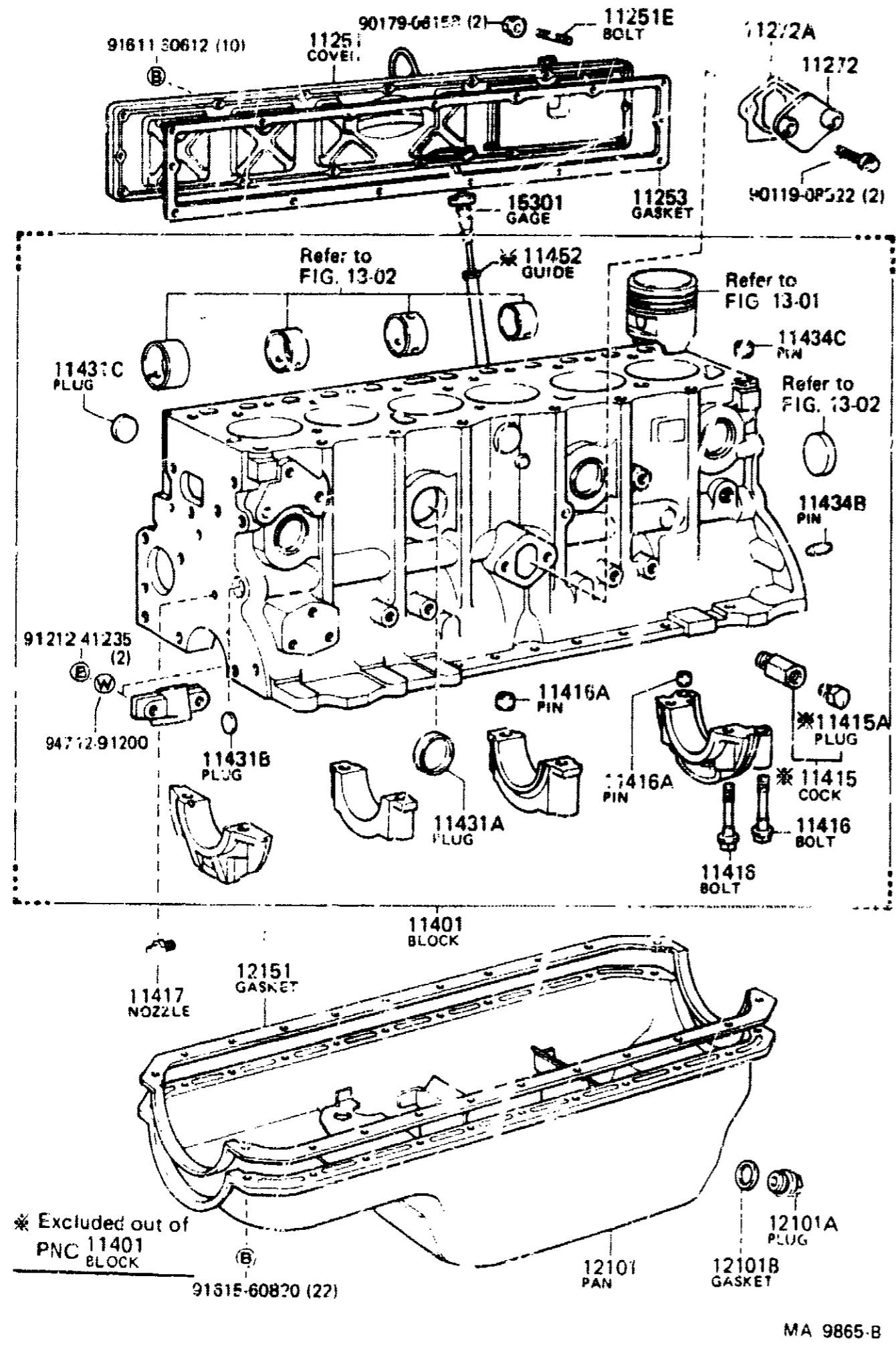
2D7 (45-02) 8  Vane Pump & Reservoir
--

2G7 (43-03) 9  Oil Cooler & Tube

2H7 (45-04) 16  Steering Wheel
--

217 (45-05) 11  Steering Gear & Link
--

(8708-)

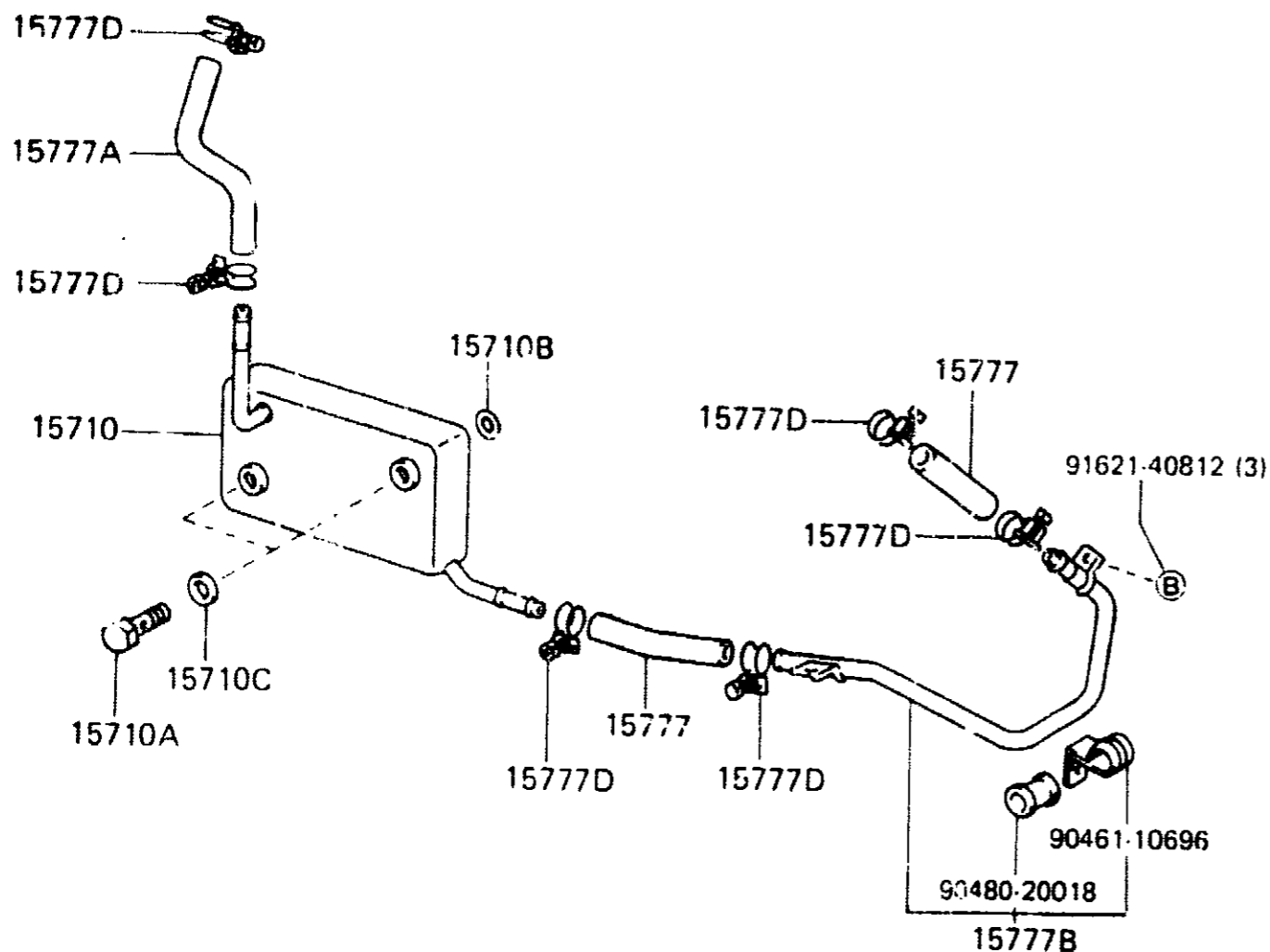


* Excluded out of PNC 11401 BLOCK

PROD. DATE	MODELS	DESCRIPTION	R / P	PART NUMBER	Q T Y.	REV. REF	
						F	T
8708-9001	3FE..FJ62	1 11251 COVER, VALVE PUSH ROD		11251-61020-	1		
8708-9001	3FE..FJ62	1 11251E BOLT, STUD (FOR VALVE PUSH ROD COVER)		90116-06022-	2		
8708-9001	3FE..FJ62	1 11253 GASKET, VALVE PUSH ROD COVER		11253-61010-	1		
8708-9001	3FE..FJ62	1 11272 COVER, CYLINDER BLOCK SIDE, NO.2		11495-61010-	1		
8708-9001	3FE..FJ62	1 11272A GASKET, CYLINDER BLOCK SIDE COVER, NO.2		90923-05011-	1		
B 8911-9001	3FE..FJ62	1 11401 BLOCK SUB-ASSY, CYLINDER		11401-69306-	1		
8708-9001	3FE..FJ62	1 11415 COCK SUB-ASSY, WATER DRAIN (FOR CYLINDER BLOCK)		96431-53828-	1		
8708-9001	3FE..FJ62	1 11415A PLUG, WATER DRAIN COCK (FOR CYLINDER BLOCK)		96432-23814-	1		
8708-9001	3FE..FJ62	1 11416 BOLT (FOR CRANKSHAFT BEARING CAP SET)		90105-14033-2	6		
8708-9001	3FE..FJ62	1 11416A PIN, RING (FOR CRANKSHAFT BEARING CAP SET)		90910-02057-26	4		
8708-9001	3FE..FJ62	L=10,0D=15.5, NO.4		90253-16014-	2		

* - P - = Outside diameter - Pitch x Bolt length - Thread length

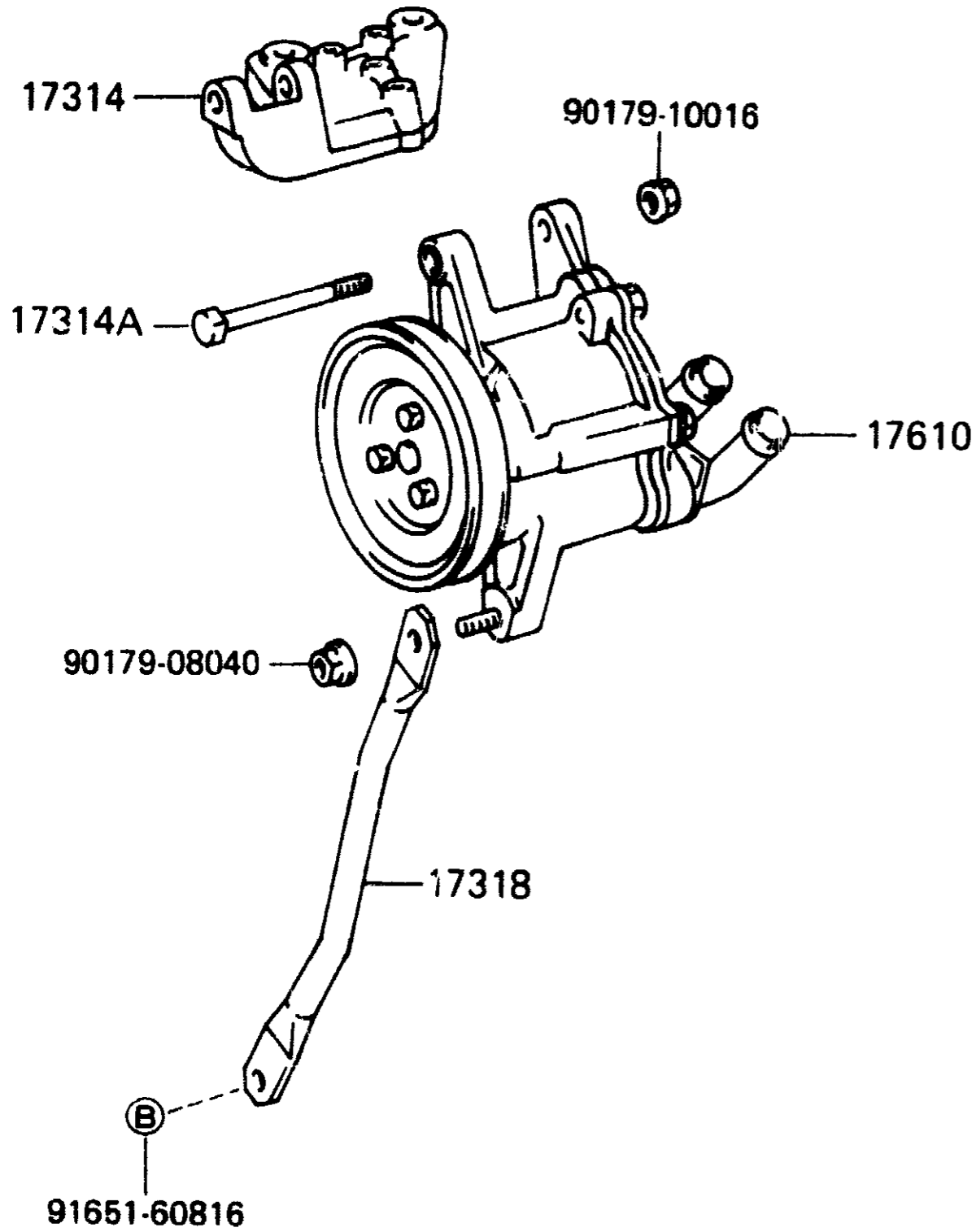
(8708-)



MA 9870

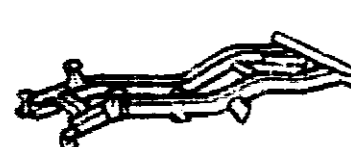

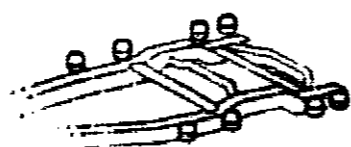
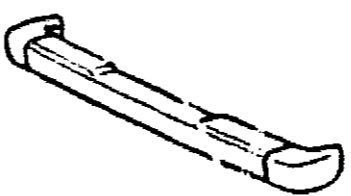
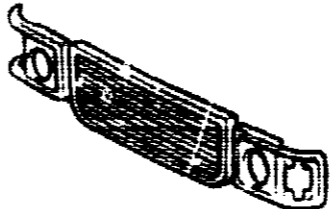
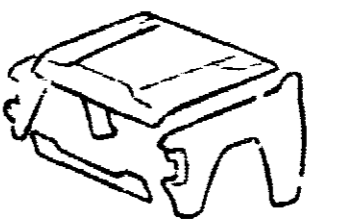
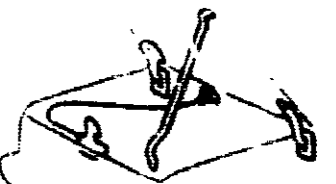
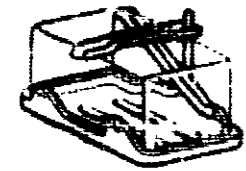
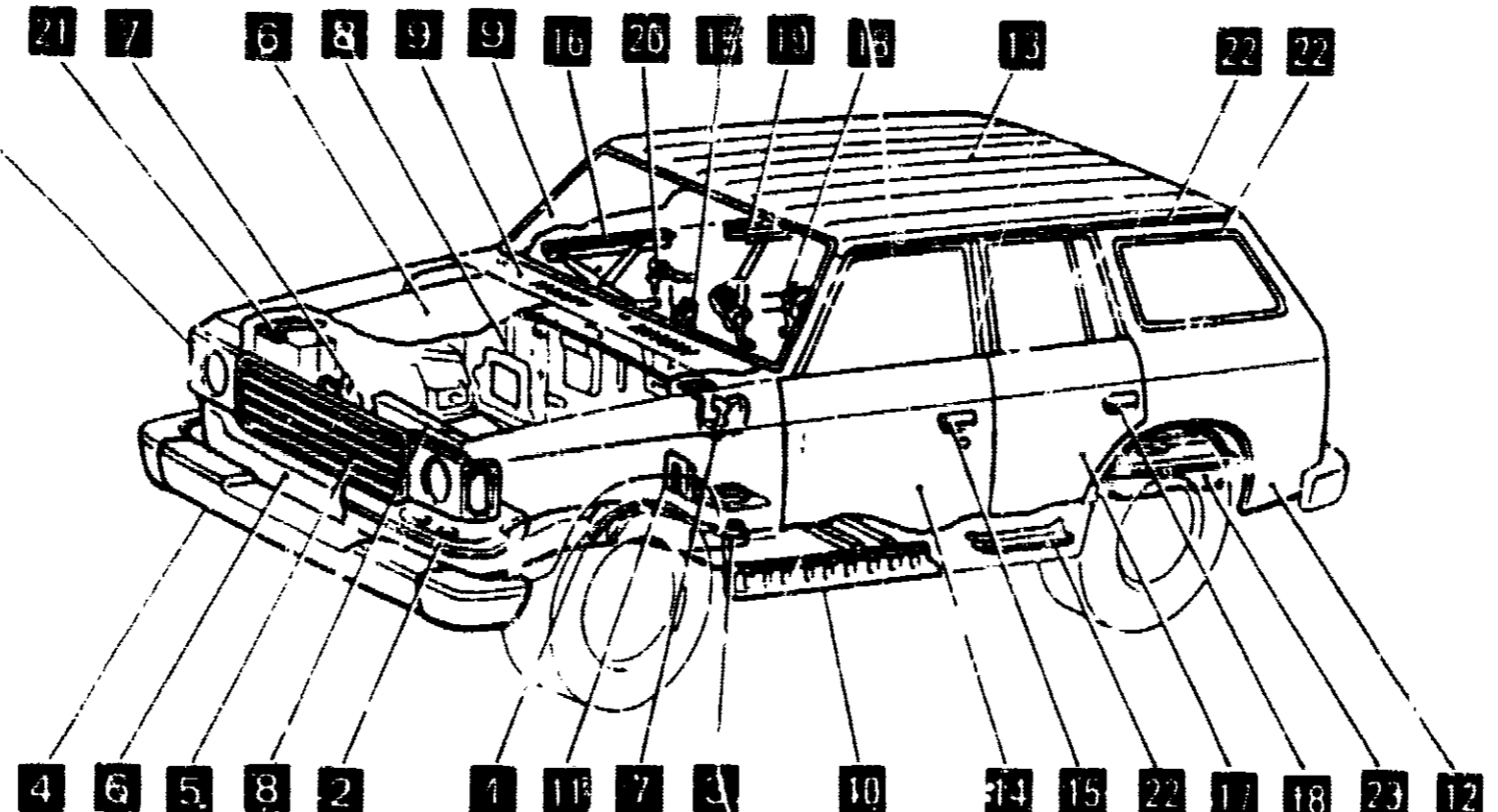
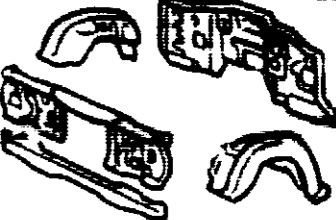
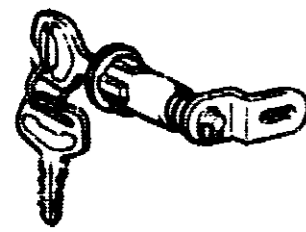

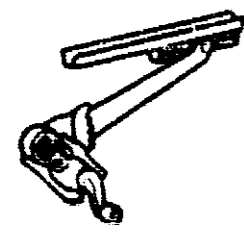
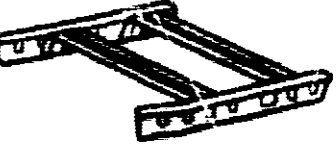

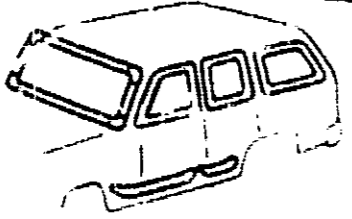


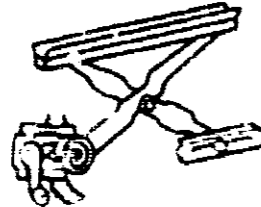
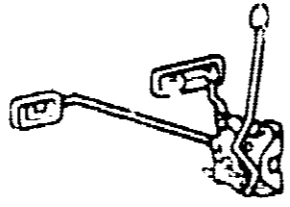


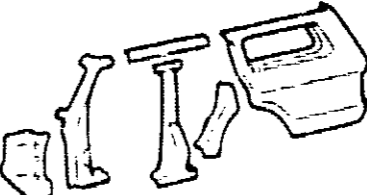

PROD. DATE	MODELS	DESCRIPTION	R / P	PART NUMBER	QTY.	REV. REF	
						F	T
8708-9001	1 15710	COOLER ASSY, OIL		15710-61010-	1		
	3FE..FJ62						
8708-9001	1 15710A	BOLT, UNION (FOR OIL COOLER)		90401-18083-	2		
	3FE..FJ62						
8708-9001	1 15710B	RING, O		90301-21176-	2		
	3FE..FJ62						
8708-9001	1 15710C	GASKET		90430-18012-	2		
	3FE..FJ62						
B 8708-9001	1 15777	HOSE, OIL COOLER		99556-30210-	1		
	3FE..FJ62	PIPE TO WATER PUMP					
B 8708-9001	3FE..FJ62	PIPE TO OIL COOLER			1		
8708-9001	1 15777A	HOSE, OIL COOLER		15777-61030-	1		
	3FE..FJ62						
8708-9001	1 15777B	PIPE, OIL COOLER		15770-61010-	1		
	3FE..FJ62						
8708-9001	1 15777D	CLAMP OR CLIP, HOSE (FOR OIL COOLER HOSE)		96112-10250-	6		
	3FE..FJ62						

(8708-)



MA 9885-A

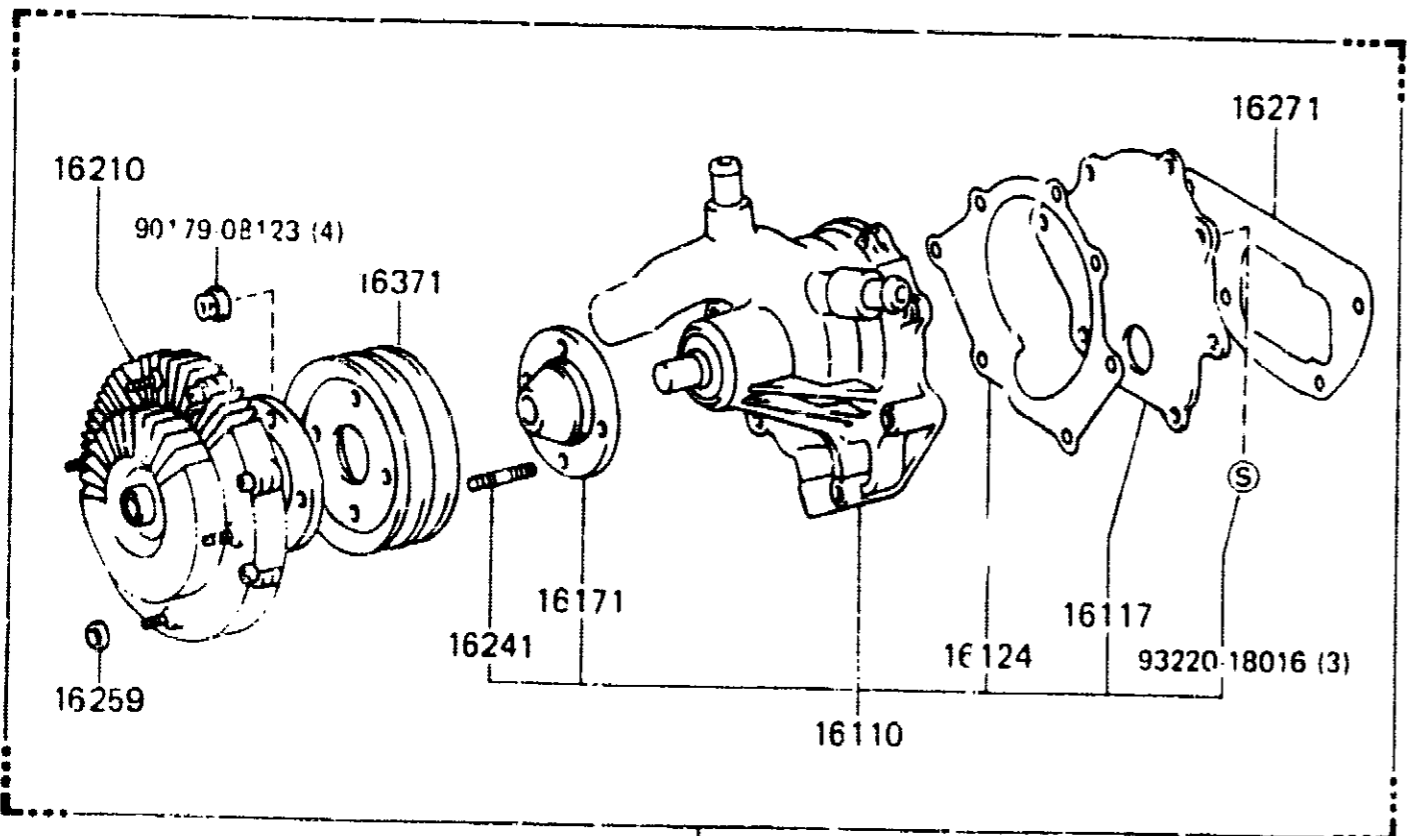
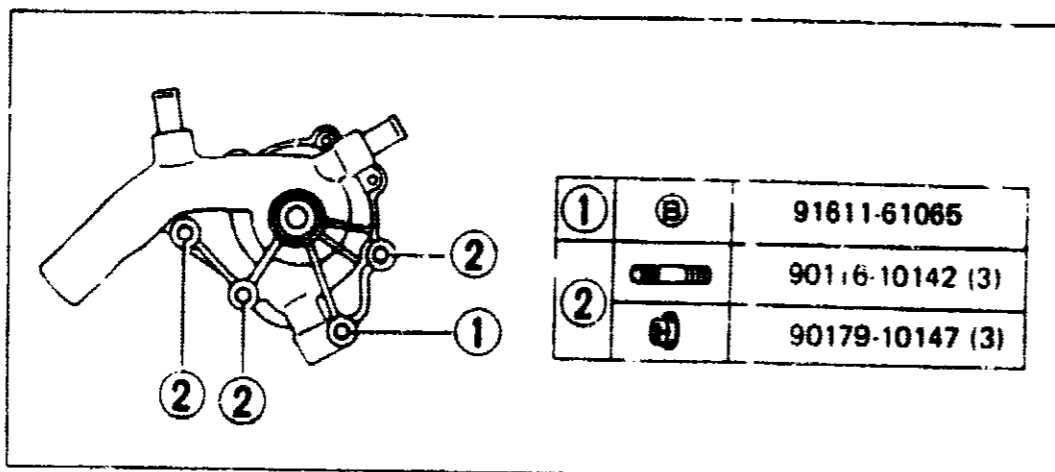
PROD. DATE	MODELS	DESCRIPTION	R / P	PART NUMBER	QTY.	REV. REF	
						F	T
8708-9001	17314 3FE..FJ62	BRACKET, AIR PUMP		17314-61040-	1		
8708-9001	17314A 3FE..FJ62	BOLT, HEXAGON (FOR AIR PUMP BRACKET SETTING)		90105-10221-	1		
8708-9001	17318 3FE..FJ62	BAR, AIR PUMP ADJUSTING NO.2		17318-61060-	1		
8708-9001	17610 3FE..FJ62	PUMP ASSY, AIR		17610-61040-	1		

<p>3A1 (51-51) 1</p>  <p>Frame</p>	<p>3C1 (51-52) 2</p>  <p>Crossmember & Under Cover</p>	<p>3E1 (52-51) 3</p>  <p>Cab & Body Mounting</p>	<p>3G1 (52-52) 4</p>  <p>Front Bumper & Stay</p>	<p>3I1 (53-51) 5</p>  <p>Radiator Grille</p>	<p>3J1 (53-53) 6</p>  <p>Hood & Front Fender</p>	<p>3L1 (53-54) 7</p>  <p>Hood Lock & Hinge</p>	
<p>3L6 (74-54) 21</p>  <p>Battery Carrier</p>	<p>BODY GROUP (1/2)</p> 					<p>3M1 (53-55) 8</p>  <p>Front Fender Apron</p>	
<p>3A6 (67-65) 20</p>  <p>Lock Cylinder Set</p>						<p>3F2 (55-53) 9</p>  <p>Cowl Panel & Glass</p>	
<p>3H5 (67-57) 19</p>  <p>Rear Door Regulator & Hinge</p>						<p>3H2 (57-51) 11</p>  <p>Floor Member</p>	
<p>3F5 (67-56) 16</p>  <p>Rear Door Lock & Handle</p>	<p>3D7 (75-52) 22</p>  <p>Moulding</p>	<p>3H7 (77-51) 23</p>  <p>Fuel Tank & Tube</p>					
<p>3C5 (67-55) 17</p>  <p>Rear Door Panel & Glass</p>	<p>3A5 (67-54) 16</p>  <p>Front Door Regulator & Hinge</p>	<p>3L4 (67-53) 15</p>  <p>Front Door Lock & Handle</p>	<p>3H4 (67-51) 14</p>  <p>Front Door Panel & Glass</p>	<p>3L3 (61-53) 13</p>  <p>Roof Panel & Back Panel</p>	<p>3G3 (61-51) 12</p>  <p>Side Member</p>	<p>3A5 (58-53) 11</p>  <p>Floor Insulator</p>	

PROD. DATE	MODELS	DESCRIPTION	R / P	PART NUMBER	Q T Y.	REV. REF	
						F	T
8708-9001	1 11416A CONTINUED 3FE..FJ62	PIN, R'NG (FOR CRANKSHAFT BEARING CAP SET) NO.1,2,3		90253-18003-	6		
8708-9001	1 11417 3FE..FJ62	NOZZLE, OIL		90915-01014-	1		
8708-9001	1 11431A 3FE..FJ62	PLUG, TIGHT, NO.1 (FOR CYLINDER BLOCK)		96411-45000-	5		
8708-9001	1 11431B 3FE..FJ62	PLUG, TIGHT, NO.2 (FOR CYLINDER BLOCK)		90344-54003-	2		
8708-9001	1 11431C 3FE..FJ62	PLUG, TIGHT, NO.3 (FOR CYLINDER BLOCK)		96411-42500-	4		
8708-9001	1 11434B 3FE..FJ62	PIN, STRAIGHT (FOR CLUTCH HOUSING SET) L=22, OD=10		90250-10192-	2		
8708-9001	1 11434C 3FE..FJ62	PIN, STRAIGHT (FOR CYLINDER HEAD SET) L=7, OD=16.5		90253-17003-	2		
8708-9001	1 11452 3FE..FJ62	GUIDE, OIL LEVEL GAGE		11452-61010-	1		
8708-9001	1 12101 3FE..FJ62	PAN SUB-ASSY, OIL		12101-61030-	1		
8708-9001	1 12101A 3FE..FJ62	PLUG (FOR OIL PAN DRAIN)		90341-12012-	1		

PROD. DATE	MODELS	DESCRIPTION	R / P	PART NUMBER	Q T Y.	REV. REF	
						F	T
8708-8803	1 12101B 3FE..FJ62	GASKET (FOR OIL PAN DRAIN PLUG)		# 90430-12011- (90430-12019-)	1		
8803-9001	3FE..FJ62			90430-12019-	1		
8708-9001	1 12151 3FE..FJ62	GASKET, OIL PAN		12151-61011-	1		
8708-9001	1 15301 3FE..FJ62	GAGE SUB-ASSY, OIL LEVEL		15301-60031-	1		

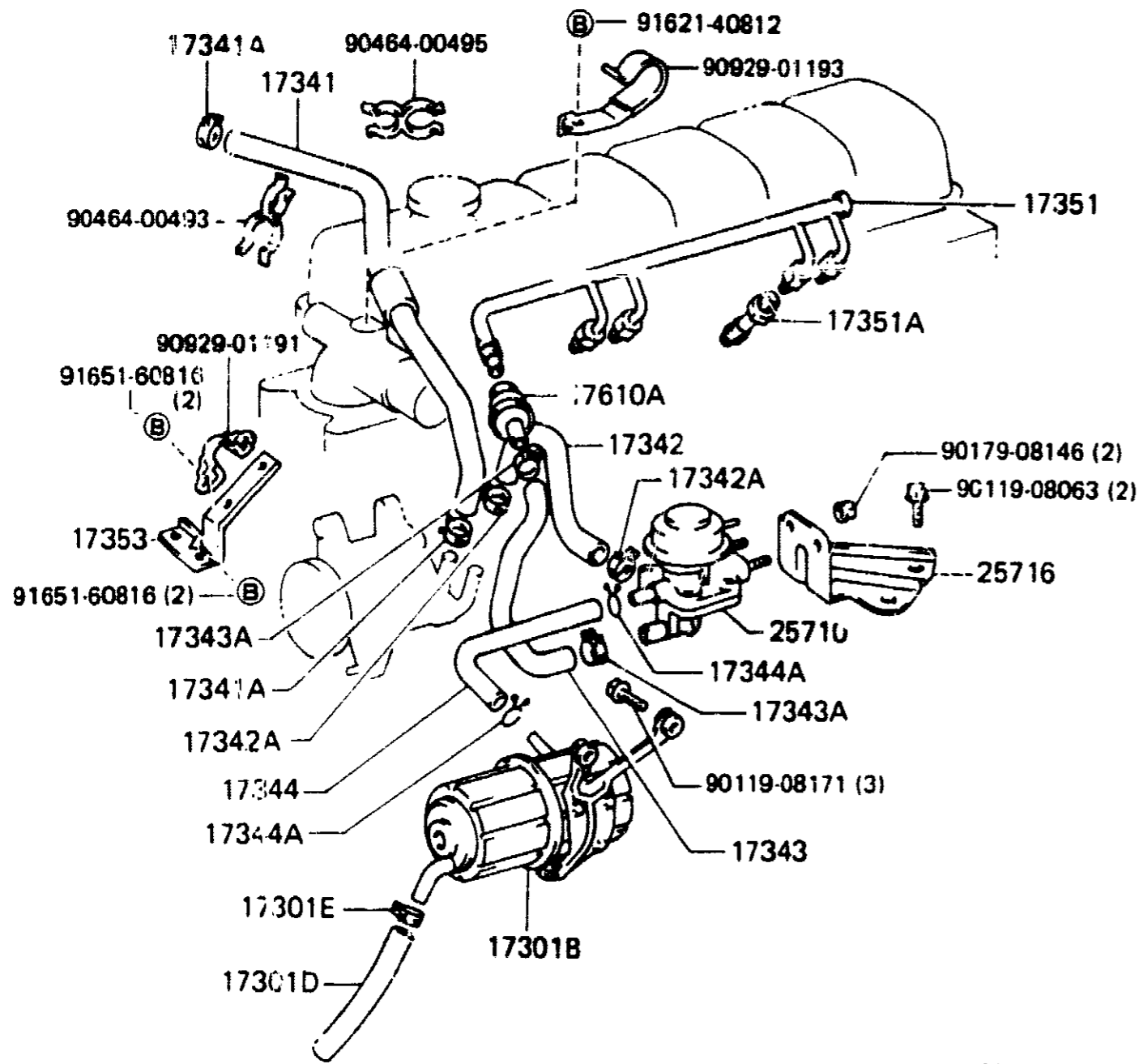
(8708-)



MA 9876-A

PROD. DATE	MODELS	DESCRIPTION	R / P	PART NUMBER	Q T Y.	REV. REF	
						F	T
8708-9001	1 16100 PUMP ASSY, WATER 3FE..FJ62			16100-69195-	1		
8708-9001	1 16110 PUMP ASSY, WATER, W/O COUPLING 3FE..FJ62			16110-61180-	1		
8708-9001	1 16117 PLATE, WATER PUMP 3FE..FJ62			16117-61110-	1		
8708-9001	1 16124 GASKET, WATER PUMP COVER 3FE..FJ62			16124-61110-	1		
8708-9001	1 16171 SEAT, WATER PUMP PULLEY 3FE..FJ62			16171-61071-	1		
8708-9001	1 16210 COUPLING ASSY, FLUID 3FE..FJ62			16210-61140-	1		
8708-9001	1 16241 BOLT, STUD (FOR WATER PUMP COUPLING) 3FE..FJ62			16198-41050-	1		
8801-9001	1 16259 GASKET, FAN 3FE..FJ62			16259-52010-	4		
8708-9001	1 16271 GASKET, WATER PUMP 3FE..FJ62			# 16271-61010- (16271-61020-)	1 1		
8708-9001	1 16371 PULLEY, FAN 3FE..FJ62			16179-61070-	1		

(8708-)

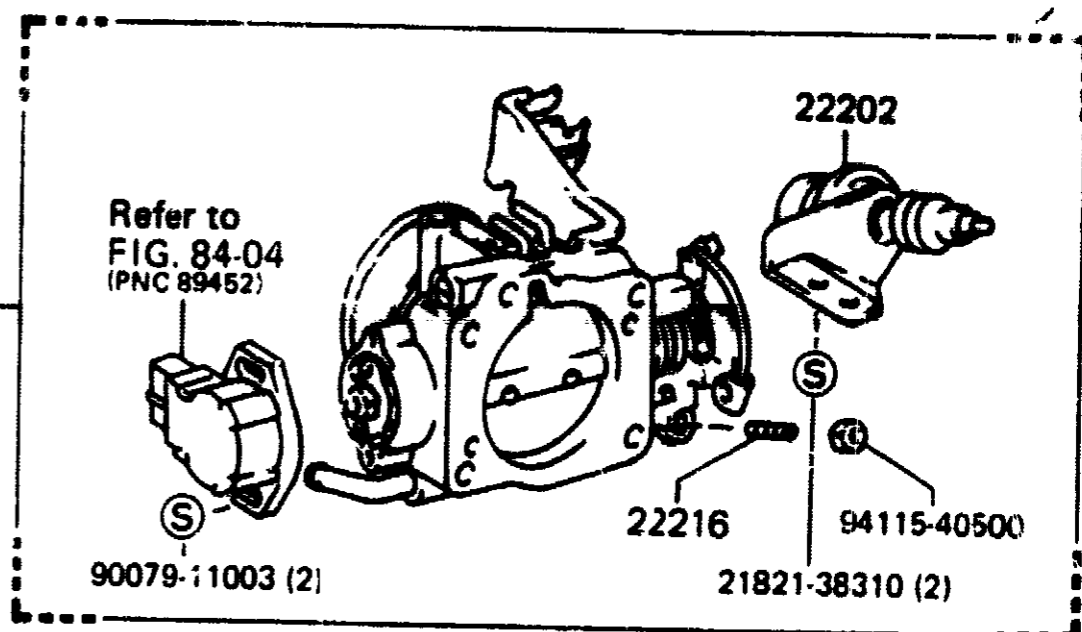
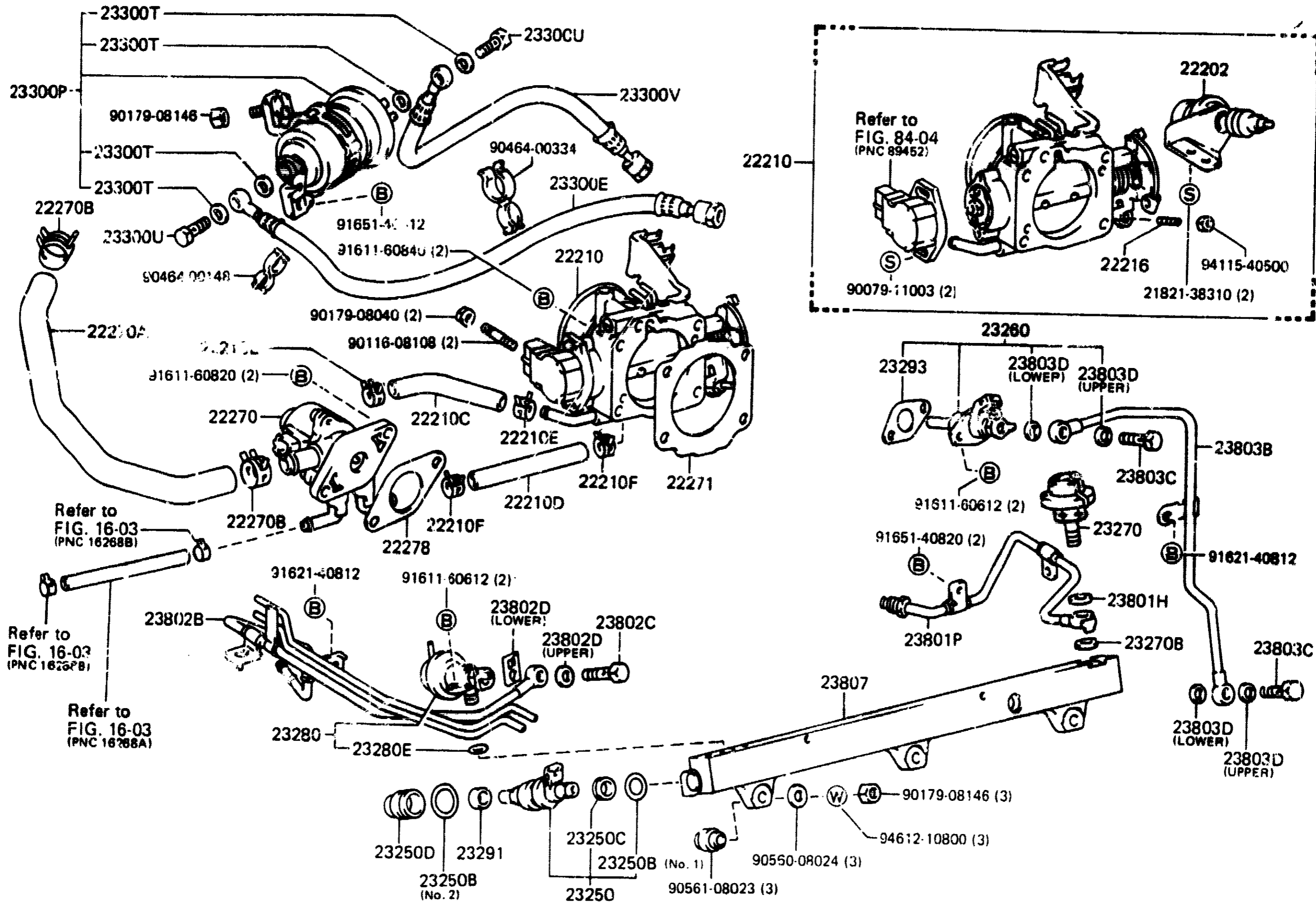


MA 9886-B





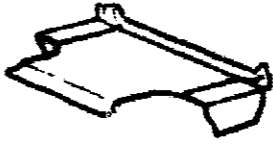

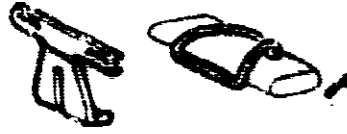
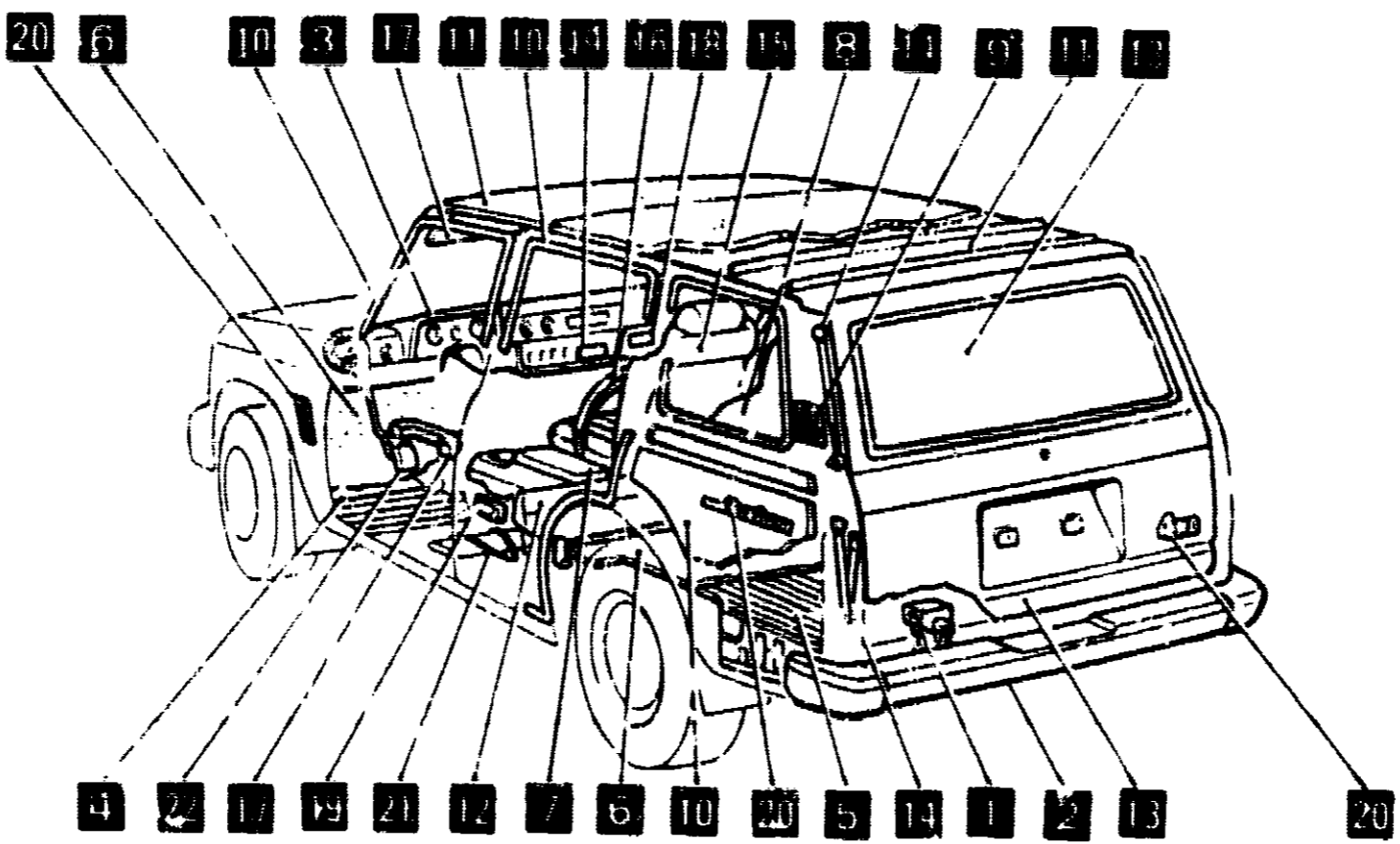
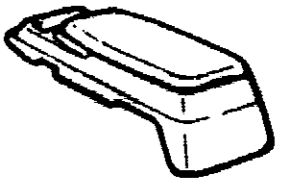



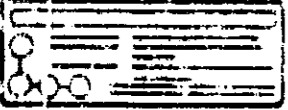


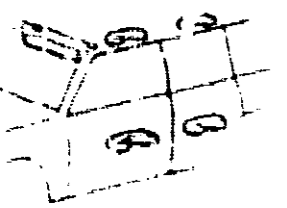
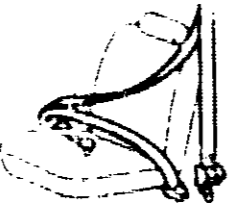

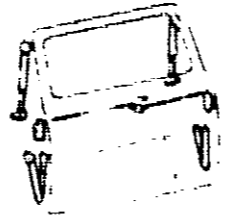
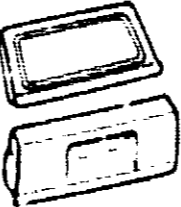
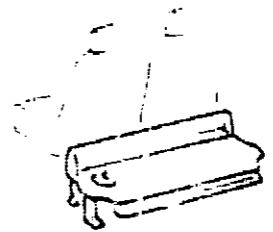

PROD. DATE	MODELS	DESCRIPTION	R / P	PART NUMBER	Q T Y.	REV. REF	
						F	T
8708-9001	3FE..FJ62	17301B SILENCER SUB-ASSY, AIR SUCTION		17301-61010-	1		
8708-9001	3FE..FJ62	17301D HOSE (FOR AIR SUCTION SILENCER)		90445-31018-	1		
8708-9001	3FE..FJ62	17301E CLIP (FOR AIR SUCTION SILENCER HOSE)		90467-28003-	1		
8708-9001	3FE..FJ62	17341 HOSE, NO. 1 (FOR AIR INJECTION SYSTEM)		17341-61030-	1		
8708-9001	3FE..FJ62	17341A CLAMP OR CLIP, NO. 1 (FOR AIR INJECTION SYSTEM HOSE, NO. 1)		90467-28003-	1		
8708-9001	3FE..FJ62	17342 HOSE, NO. 2 (FOR AIR INJECTION SYSTEM)		17342-61040-	1		
8708-9001	3FE..FJ62	17342A CLAMP OR CLIP, NO. 2 (FOR AIR INJECTION SYSTEM HOSE, NO. 2)		90467-28003-	1		
8708-9001	3FE..FJ62	17343 HOSE, NO. 3 (FOR AIR INJECTION SYSTEM)		17343-61030-	1		
8708-9001	3FE..FJ62	17343A CLAMP OR CLIP, NO. 3 (FOR AIR INJECTION SYSTEM HOSE, NO. 3)		90467-28003-	1		
8708-9001	3FE..FJ62	17344 HOSE, NO. 4 (FOR AIR INJECTION SYSTEM)		17344-61020-	1		

(8708)

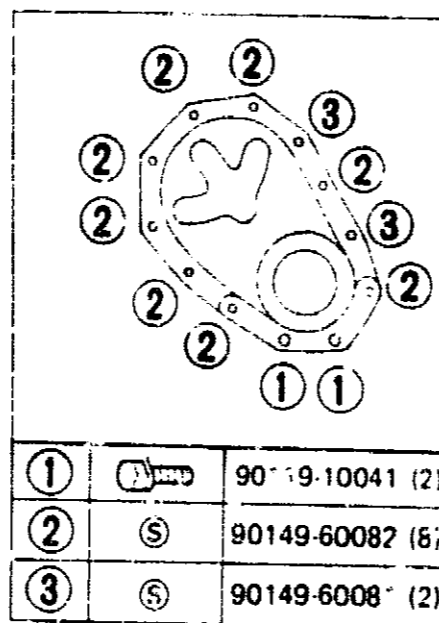
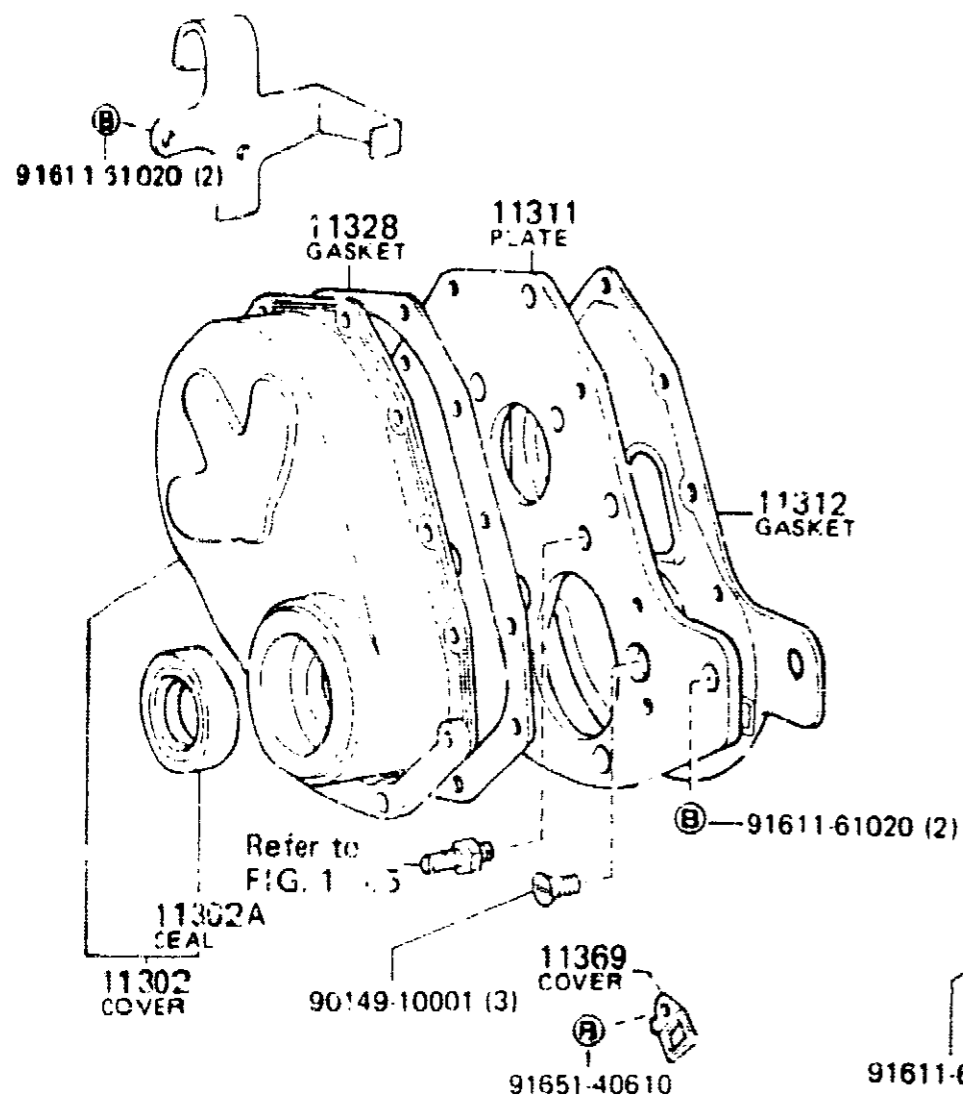
ILLUST-NO. 10F2



PART NUMBER	LOCA TION	PART NUMBER	LOCA TION	PART NUMBER	LOCA TION	PART NUMBER	LOCA TION	PART NUMBER	LOCA TION	PART NUMBER	LOCA TION
90389-18002-	2L9	90467-08011-	3F2	90501-17008-	2F3	90521-99021-	2L1	90916-03071-	1K2	S 90937-01413-	215
90401-08004-	1L4		3J1	-18677-	2F1	-99040-	2H2	90917-06004-	1E3	S -01419-	215
-12097-	1L4	-09014-	3J1	-19002-	1B3	-99041-	2H2	-06012-	1E3	90942-01047-	2K5
-14093-	1F2	-11085-	1L2	-20012-	2J8	-99042-	2G2	-06023-	1E3	-02052-	2K5
-18083-	1H2	-12035-03	3B3	-20083-	2F5	-99043-	2K1	-06024-	1E3	-02053-	2K6
90402-16042-	1F2	-12035-06	3B3		2H6	90522-32011-	2L7	-10049-	1M3	-03079-	2K5
-26002-	1M4	-13001-	1J4	-23014-	2F7	-40043-	2H8	-10065-	2J4	-03080-	2K5
90404-10018-	2G5		1K2	-27008-	2B3	-48044-	2H8	-10076-	1J3	-03081-	2K5
-10019-	2H6	-15120-	1K4	-29003-	2G4	90523-05002-	2J2	-11023-	1M3	-03082-	2K5
-14012-	1J3	-16001-	1L1	-30014-	2C3	-06004-	2B3	90919-01064-	1B4	-03083-	2K5
-16008-	1F2	-16002-	2E8	-33004-	2M2	-06005-	2E3	-02113-	1B4	-03084-	2K5
-16022-	2K3	-18002-	2G8	-40008-	2B3	90524-15008-	2F3	-03086-	1C4	-03085-	2K5
-26001-	1M4	-18003-	1L1	-45011-	2A7	90541-03015-	1D2	-12745-	1B4	-03086-	2K5
-51093-	2J4	-22003-	1J4	-45114-	2M7	-06008-	3D2	-12746-	1B	-03107-	2K5
-51319-	2G8	-23001-	1J3	-45342-	1C2	-08003-	2C8	-12747-	1E	-05009-	2L5
-54035-	1C3	-28003-	113	90502-16004-	1D2		3K7	-12748-	1B4	90945-02034-	2M6
90407-10004-	2D8	-31110-	2C9	90503-04003-	2B3	90560-06009-	1F3	-12749-	1C4	-02038-	2M6
-14005-	2K3	-32002-	2L7	90506-12031-	2K8	-10406-	2G4	-12750-	1C4	90948-01031-	219
-16006-	2K3	-42001-	1L2	-12451-	2C8	-20008-	2J3	-12949-	1B4	-02015-	2J9
-16013-	2K3	90468-12003-	218	-18031-	2K8	-35008-	2D4	-12950-	1C4	-02017-	219
90410-11005-	1F2	-18071-	3E6	-20033-	2L8	-35009-	2G2	-12951-	1B4	-02032-	2J9
-18002-	1M4	90480-01336-	2A6	-23009-	2M6	-30003-	2E4	-12952-	1B4	-02033-	2D9
90413-04005-	2J4	-13005-	1K4	-26011-	2J8	-72001-	2G2	-12953-	1C4	-02114-	219
-10042-	2B9	-13012-	2A6	-26014-	2K8	-72002-	2G2	-12954-	1C4	-03011-	2A10
-10106-	2C9	-15002-	3L1	90507-14001-	2B7	-72003-	2G2	-13271-	1C4		219
-10214-	2B9	-17019-	2A6	90508-29017-	3M7	-70004-	2H7	-13328-	1C4	P 90950-01073-03	3E3
90430-06104-	2D8	-17158-	2A8	-30004-	2J3	-06006-	212	-21410-	1B4	P -01073-06	3E3
-08009-	1L4	-17177-	2B1	90520-01002-	3A5	-09005-	1L2	90923-01349-	1L4	S 90980-05022-	3K10
-08011-	1L4	-17401-	2G4		3H5	-10004-	1K4	-01350-	1L4	S -05067-	3K10
-09253-	2D8	-18001-	1L1	-15001-	2E7	90562-18151-	2D8	-05011-	1H1	S -05106-	3K10
	2E8	-20016-	2A6	-17042-	2M6	-30002-	2J7	90925-03057-	1M3	S -05110-	3K10
-10022-	214	90501-06043-	2E3	-22013-	2H2	-31002-	2K7	90929-01189-	1M4	N -05127-	3K10
-12005-	1L4	-07005-	2B1	-27091-	2J6			-01192-	1C4	-07003-	3M8
-12011-	111	-07009-	2B1	-28036-	2J6	-32002-	2K7	90930-03075-	2B4	-07048-	3M8
-12019-	111	-07040-	2E3	-29024-	2L4	-48001-	2J7	-03094-	2G1	-07251-	3M8
-12245-	3J7	-07042-	2F3	-29025-	2L4	-67002-	2K7	90937-01117-	215	90981-05034-	3A8
-15261-	1F2	-07049-	2E3	-29026-	2L4	90564-06002-	2G3	-01118-	215	-05035-	3A8
-18008-	2A4		2F3	-29027-	2L4	-70001-	2D4	-01119-	215	-11004-	3J8
-18012-	1H2	-07065-	212	-29051-	1C2	-70002-	2D4	-01121-	215	-11010-	3E9
-26002-	2F5	-08062-	2F3	-31001-	2K6	-70003-	2D4	-01122-	215	-11018-	3D9
	2G6	-08075-	2G3	-33009-	2E2	-70004-	2D4	-01132-	2K4		3J8
-43002-	1K2	-08095-	2D3	-33107-	2E4	-70005-	2D4	-01147-	2K4	P -11020-	3E8
90445-11072-	2H1	-09056-	2D3	-33110-	2E4	-70006-	2D4	-01148-	2K4	P -12J10-	3D8
-12065-	1L2	-10087-	2K1	-50001-	2A2	-70007-	2D4	-01149-	2K4	P 90982-01414-	3K8
-12078-	1L2	-10092-	2A2		2B2	-70008-	2D4	-01150-	2K4	-02207-	3K8
-14072-	3G10	-10094-	2A3	-87001-	2L1	-70009-	2D4	-01151-	2K4	-05050-	3K8
-16038-	1L1	-10098-	2B3	90521-01002-	2F2	-70010-	2D4	-01152-	2K4	-08251-	3B9
-18089-	2G7	-10099-	2G3		2A7	-70011-	2E4	-01184-	2K4		
						-70012-	2E4				
-18090-	2G7	-10107-	2C3	-22011-	2A7	-70013-	2E4	-01191-	2K4	-09002-	3H9
-22015-	3J7	-10108-	2B2	-22012-	2A7	90587-08001-	2A6	-01192-	2K4	-09003-	3H9
-22904-	3J7	-10126-	2G3	-22013-	2A7	90910-01006-	1D2	-01193-	2K4	-09004-	3H9
-31018-	113	-10138-	2A8	-25002-	1A2	-01012-	1D2	-01194-	2K4	-09005-	3H9
90445-06013-	3F10	-10745-	2A8	-44002-	2D7	-02050-	1F1	-01268-	2K4	90987-01003-	3J9
-06292-	3F10	-11024-	2A3		2K7	-02057-	1H1	-01269-	2K4	-02004-	3H9
90447-12058-	3K7	-11030-	2A3	-75023-	2E4	-04012-	3F2	-01408-	215		3K9
90460-01001-	2G7	-11041-	2E3	-90002-	2L1	-12079-	1M3	-01409-	215	-02006-	3J9
90461-10387-	2H6	-12083-	2G3	-99017-	2B2	90913-02048-	1C2	-01410-	215	-03001-	3J9
-10558-	2G5	-12086-	212		2L1	-03005-	1D2	-01411-	215	-04002-	3J9
90462-12038-	2K3	-12090-	2A3	-99018-	2H2	-03012-	1D2	-01412-	215	90999-00066-	3A6
90464-00105-	1C4	-12099-	2H7	-94319-	2L1	-05020-	1D2	-01413-	215	-00104-	3A6
-00208-	1C4	-12103-	2E7	-99021-	2D2	90915-01014-	111	-01414-	215	-73072-	1A2
90467-06161-18	3E4	-14087-	1D2		2F2	90916-02141-	1A3	-01415-	215	-02003-	2J4
-07041-03	3E3	-15006-	2E3		2H2	-02193-	1A3	-01416-	215	91121-51070-	2C8
-07041-06	3E3	-15115-	2F4		2K1	-03052-	1K2	-01417-	215	91511-60850-	2F1

<p>3D1 (51-53) 1</p>  <p>Spare Wheel Carrier</p>	<p>3H1 (52-53) 2</p>  <p>Rear Bumper & Stay</p>	<p>3B2 (55-51) 3</p>  <p>Instrument Panel</p>	<p>3I2 (58-51) 4</p>  <p>Front Floor Panel & Member</p>		<p>3L2 (58-52) 5</p>  <p>Rear Floor Panel & Member</p>	<p>3E3 (58-54) 6</p>  <p>Floor Mat & Pad</p>	
<p>3G7 (75-54) 7</p>  <p>Tool Box & License Bracket</p>	<p>BODY GROUP (2/2)</p> 					<p>3D3 (58-55) 7</p>  <p>Console Box</p>	
<p>3B7 (75-51) 20</p> <p>TOYOTA 4WD</p> <p>Emblem & Name Plate</p>						<p>3K3 (61-52) 8</p>  <p>Side Window</p>	
<p>3A7 (74-56) 19</p>  <p>Ash Receptacle</p>						<p>3A6 (61-55) 9</p>  <p>Rear & Roof Ventilator</p>	
<p>3M6 (74-55) 18</p>  <p>Caution Plate</p>	<p>3L7 (78-51) 23</p>  <p>Accelerator Link</p>						<p>3B4 (64-51) 11</p>  <p>Inside Trim Board</p>
<p>3J6 (74-51) 17</p>  <p>Aerostat & View</p>	<p>3HC (77-52) 16</p>  <p>Seat Belt</p>	<p>3C6 (71-51) 15</p>  <p>Seat & Seat Track</p>	<p>3L5 (67-62) 14</p>  <p>Back Door Lock & Hinge</p>	<p>3J5 (67-61) 13</p>  <p>Back Door Panel & Glass</p>	<p>3G4 (64-55) 12</p>  <p>Deck Board & Deck Trim Cover</p>	<p>3E4 (64-52) 11</p>  <p>Roof Headling & Pad</p>	

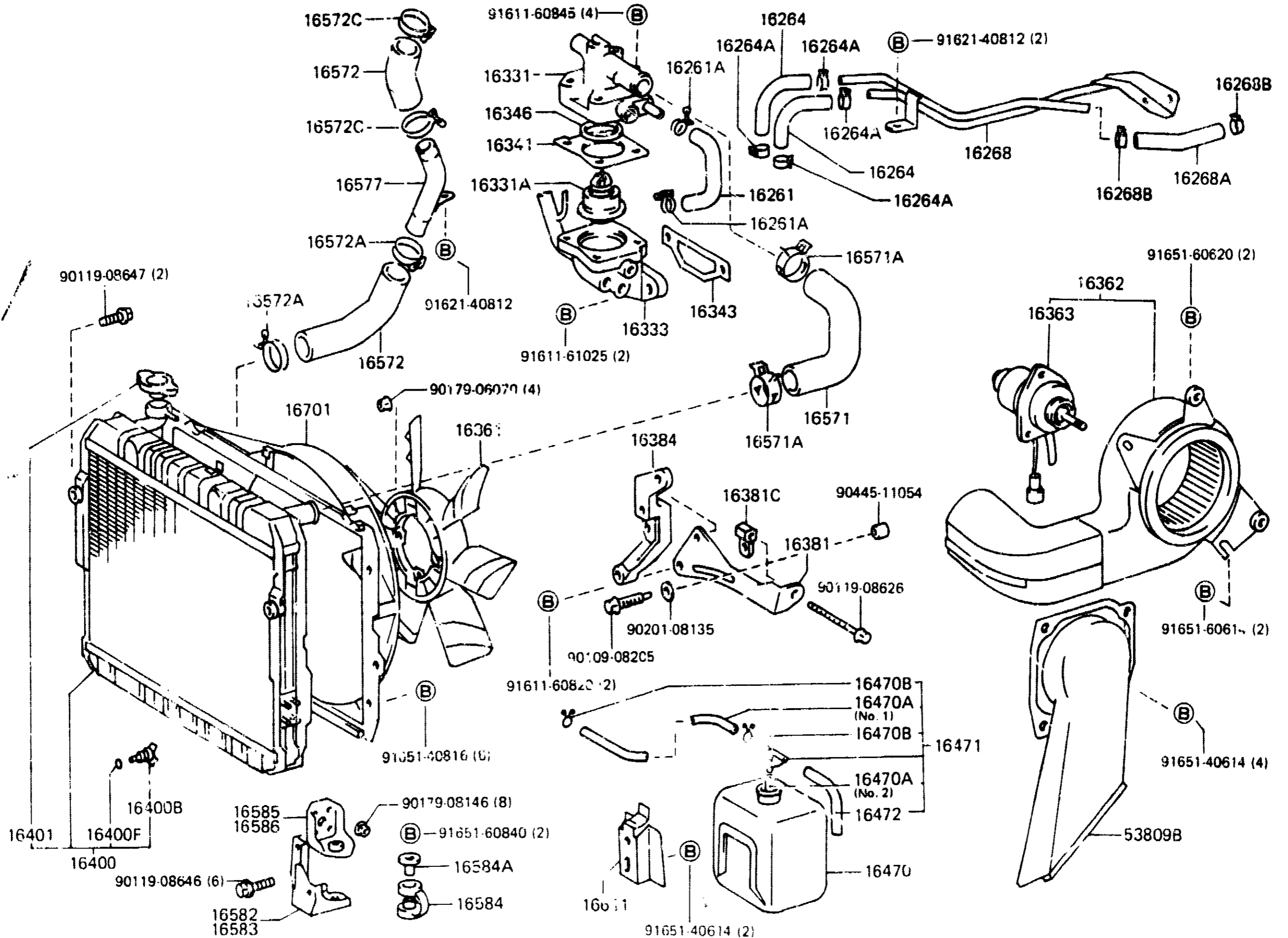
(8708-)



MA B164-A

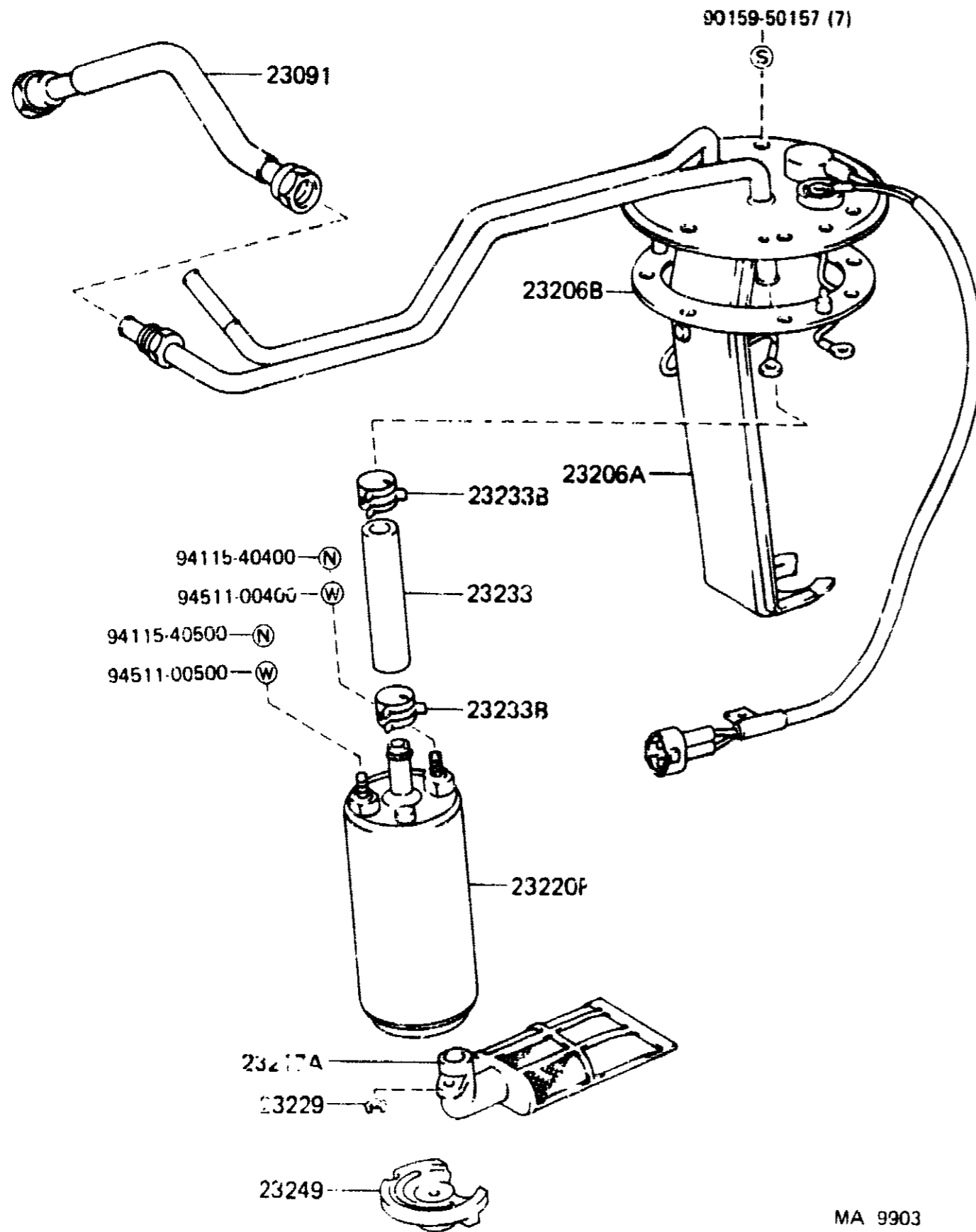
PROB. DATE	MODELS	DESCRIPTION	R / P	PART NUMBER	QTY.	REV. REF	
						F	T
8708-9001	3FE..FJ62	1 11302 COVER SUB-ASSY, TIMING CHAIN OR BELT		11302-61031-	1		
8708-9001	3FE..FJ62	1 11302A SEAL, OIL (FOR TIMING GEAR COVER)		90311-45008-	1		
8708-9001	3FE..FJ62	1 11311 PLATE, FRONT END		11311-61020-	1		
P 8708-9001	3FE..FJ62	1 11312 GASKET, FRONT END PLATE		# 11312-61020- (11312-61021-)	1		
B 9001-9001	3FE..FJ62..WGG			11312-61021-	1		
8708-9001	3FE..FJ62	1 11328 GASKET, TIMING GEAR (OR CHAIN) COVER		11328-61010-	1		
8708-9001	3FE..FJ62	1 11369 COVER, FLYWHEEL HOUSING FRONT		11369-60011-	1		

(8708-)



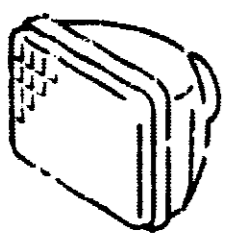
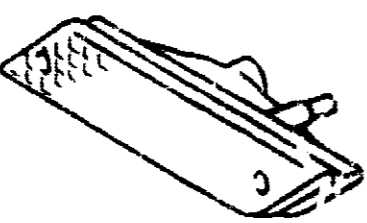

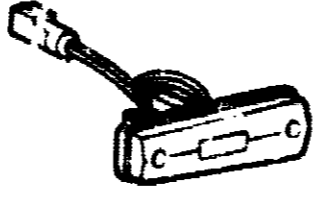
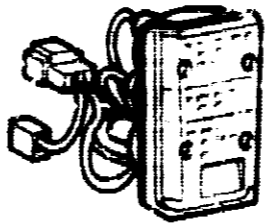
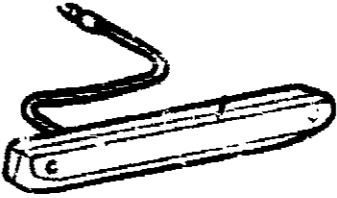
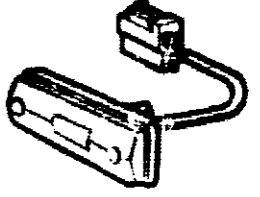
(8708-)

ILLUST. NO. 20F2

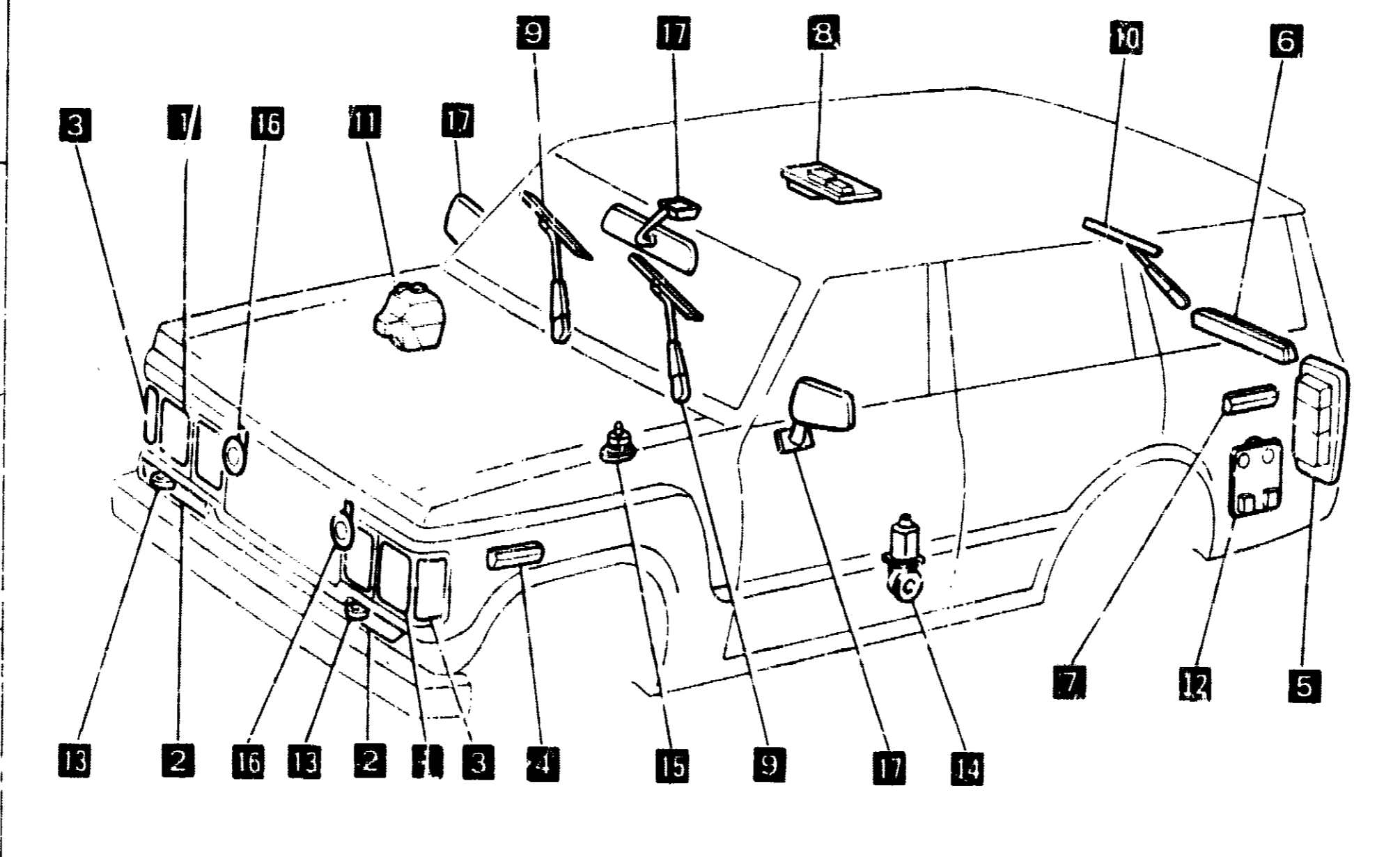



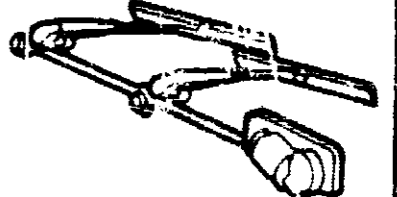
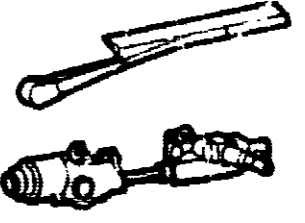
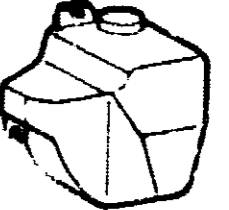
MA 9903



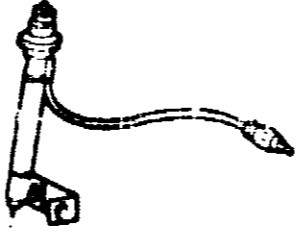

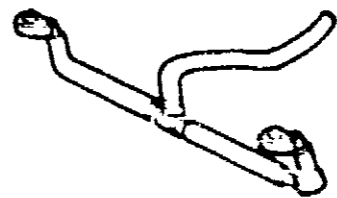
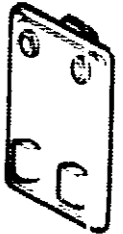
PROD. DATE	MODELS	DESCRIPTION	R / P	PART NUMBER	QTY.	REV. REF	
						F	T
8708-9001	3FE..FJ62	22202 DASHPOT SUB-ASSY		22202-61011-	1		
8708-9001	3FE..FJ62	22210 BODY ASSY, THROTTLE		22210-61010-	1		
8708-9001	3FE..FJ62	22210C HOSE, WATER BY-PASS, NO.1		99555-10125-	1		
8708-9001	3FE..FJ62	22210D HOSE, WATER BY-PASS, NO.2		99555-10125-	1		
8708-9001	3FE..FJ62	22210E CLAMP OR CLIP, HOSE (FOR WATER BY-PASS HOSE, NO.1)		90467-13001-	2		
8708-9001	3FE..FJ62	22210F CLAMP OR CLIP, HOSE (FOR WATER BY-PASS HOSE, NO.2)		90467-13001-	2		
8708-9001	3FE..FJ62	22216 SCREW, DASH POT ADJUSTING		22216-74010-	2		
8708-9001	3FE..FJ62	22270 VALVE ASSY, IDLE SPEED CONTROL		22270-61010-	1		
8708-9001	3FE..FJ62	22270A HOSE, AIR, NO.1 (FOR IDLE SPEED CONTROL VALVE)		22233-61010-	1		
8708-9001	3FE..FJ62	22270B CLIP (FOR AIR HOSE)		90467-22003-	2		

<p>3A8 (81-01) 1</p>  <p>Headlamp</p>	<p>3C8 (81-03) 2</p>  <p>Front Turn Signal Lamp</p>	<p>3D8 (81-04) 3</p>  <p>Front Clearance Lamp</p>	<p>3E8 (81-05) 4</p>  <p>Front Marker Lamp</p>	<p>3F8 (81-11) 5</p>  <p>Rear Combination Lamp</p>	<p>3H8 (81-13) 6</p>  <p>License Plate Lamp</p>	<p>3I8 (81-14) 7</p>  <p>Rear Side Marker Lamp</p>
---	---	--	--	--	---	--

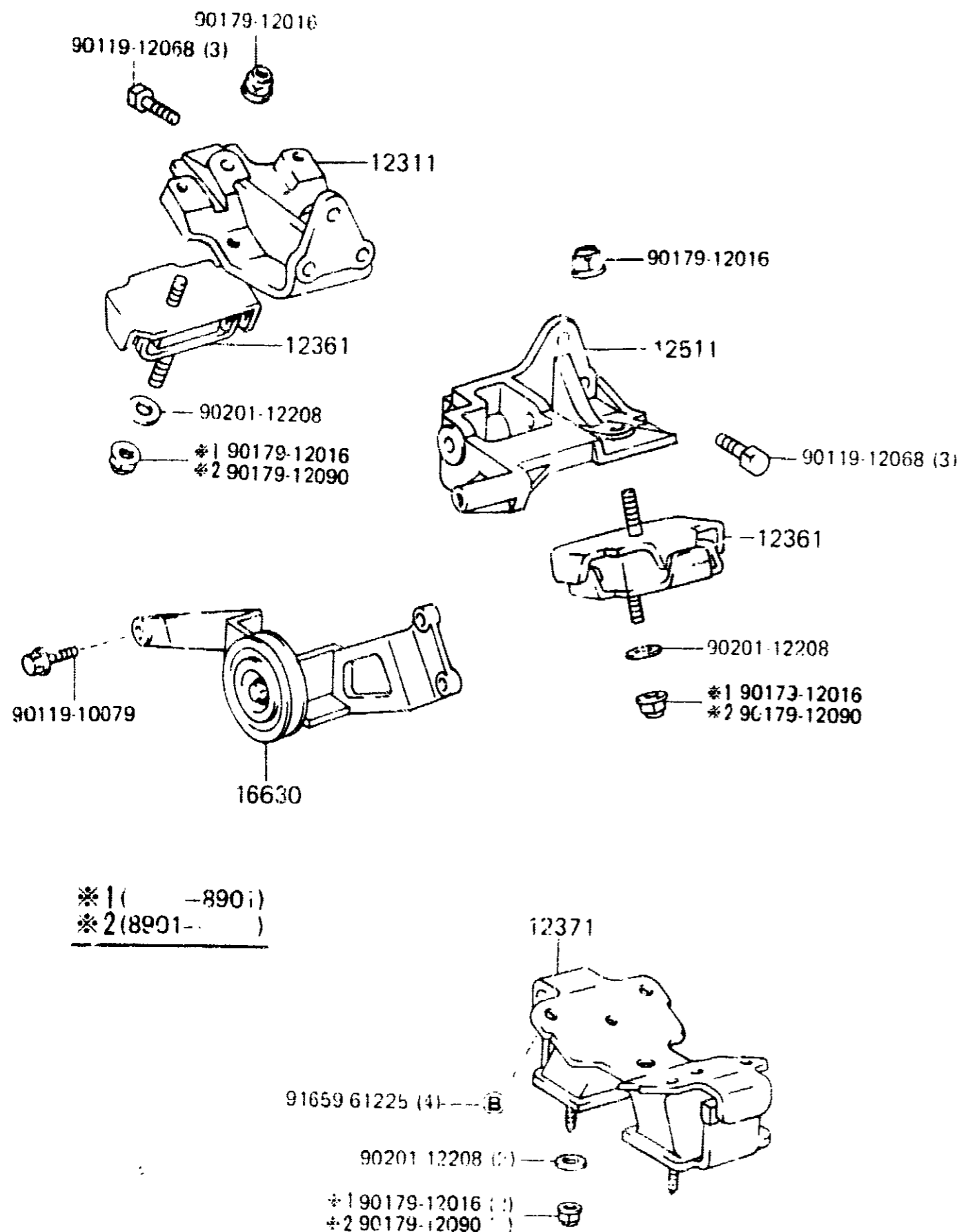
ELECTRICAL GROUP (1/2)



<p>3J8 (81-21) 8</p>  <p>Interior Lamp</p>
<p>3A10 (85-01) 9</p>  <p>Windshield Wiper</p>
<p>3C10 (85-02) 10</p>  <p>Rear Wiper</p>
<p>3D10 (85-03) 11</p>  <p>Windshield Washer</p>

<p>3C11 (87-01) 17</p>  <p>Mirror</p>	<p>3B11 (86-11) 16</p>  <p>Horn</p>	<p>3A11 (86-04) 15</p>  <p>Antenna</p>	<p>3I10 (85-11) 14</p>  <p>Door Motor & Door Solenoid</p>	<p>3G10 (85-05) 13</p>  <p>Headlamp Cleaner</p>	<p>3F10 (85-04) 12</p>  <p>Rear Washer</p>
---	--	--	---	---	--

(8708-)



MA 9866B

PROD. DATE	MODELS	DESCRIPTION	R / P	PART NUMBER	Q T Y.	REV. REF	
						F	T
8708-9001	1 12311 3FE..FJ62	BRACKET, ENGINE MOUNTING, FRONT NO.1 RH		12311-61071-	1		
8708-3809	1 12361 3FE..FJ62	INSULATOR ENGINE MOUNTING, FRONT		# 12361-61030- (12361-61031-)	2		
A 8809-9001	3FE..FJ62..WGG			12361-61031-	2		
8708-8809	1 12371 3FE..FJ62	INSULATOR, ENGINE MOUNTING, REAR NO.1		# 12371-61040- (12371-61041-)	1		
A 8809-9001	3FE..FJ62..WGG			12371-61041-	1		
P 8708-8909	1 12511 3FE..FJ62	BRACKET, ALTERNATOR, NO.1		# 12511-61060- (12511-61061-)	1		
B 8909-9001	3FE..FJ62..WGG			12511-61061-	1		
8708-9001	1 16630 3FE..FJ62	PULLEY ASSY, IDLER		16630-61020-	1		

PROD. DATE	MODELS	DESCRIPTION	R/P	PART NUMBER	QTY.	REV. REF.	
						F	T
8708-9001	1 16261 HOSE, WATER BY-PASS 3FE..FJ62			16261-61020-	1		
8708-9001	1 16261A CLAMP OR CLIP, HOSE (FOR WATER BY-PASS HOSE) 3FE..FJ62			96112-10250-	2		
8708-9001	1 16264 HOSE, WATER BY-PASS, NO.2 3FE..FJ62			16264-61010-	2		
8708-9001	1 16264A CLAMP OR CLIP (FOR WATER BY-PASS HOSE, NO.2) 3FE..FJ62			90467-13001-	4		
8708-9001	1 16268 PIPE, WATER BY-PASS, NO.1 3FE..FJ62			16268-61010-	1		
8708-9001	1 16268A HOSE (FOR WATER BY-PASS PIPE) 3FE..FJ62			93555-10125-	1		
8708-9001	1 16268B CLAMP OR CLIP, HOSE (FOR WATER BY-PASS PIPE) 3FE..FJ62			90467-13001-	2		
8708-9001	1 16331 OUTLET, WATER 3FE..FJ62			16303-61020-	1		
8708-8805	1 16331A THERMOSTAT 3FE..FJ62	*WAX 88-100		# 90916-03071- (90916-03052-)	1		
8805-3001	3FE..FJ62	*WAX88-100		90916-03052-	1		
8708-9001	1 16333 HOUSING, WATER OUTLET 3FE..FJ62			16304-61030-	1		

PROD. DATE	MODELS	DESCRIPTION	R/P	PART NUMBER	QTY.	REV. REF.	
						F	T
8708-9001	1 16341 GASKET, WATER OUTLET 3FE..FJ62			= 16341-61020- (16341-61030-)	1		
8708-9001	1 16343 GASKET, WATER OUTLET HOUSING 3FE..FJ62			16343-61010-	1		
8708-9001	1 16346 GASKET, THERMOSTAT 3FE..FJ62			90430-43002-	1		
8708-9001	1 16361 FAN 3FE..FJ62			16361-61020-	1		
8708-9001	1 16362 FAN, NO.2 3FE..FJ62			16360-61015-	1		
8708-9001	1 16363 MOTOR, COOLING FAN 3FE..FJ62			16363-61020-	1		
8708-9001	1 16381 BAR, FAN BELT ADJUSTING 3FE..FJ62			16381-61050-	1		
8708-9001	1 16381C BAR, FAN BELT ADJUSTING, NO.2 3FE..FJ62			17317-61020-	1		
8708-3001	1 16384 BRACKET, FAN BELT ADJUSTING BAR 3FE..FJ62			16384-61010-	1		
8708-9001	1 16400 RADIATOR ASSY 3FE..FJ62			16400-61140-	1		

*WAX = WAX TYPE (Opening temperature - Fully open temperature)

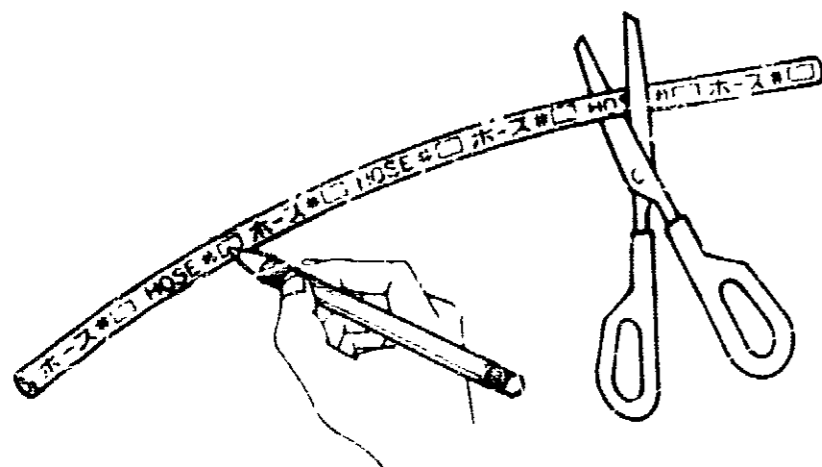
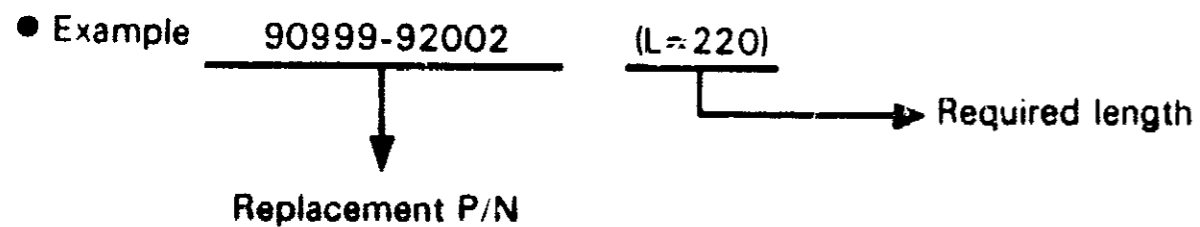
(8708-)

Vacuum Hose Supply Method

Supply of Vacuum Hose is determined in length specified below.

Necessary Length	Part Number	Length available
Below 300 mm	90999-92002	300 mm
301 to 600 mm	90999-92003	600 mm
601 to 950 mm	90999-92004	950 mm
951 to 1300 mm	90999-92006	1300 mm
1301 to 1650 mm	90999-92007	1650 mm
1651 to 2600 mm	90999-92008	2600 mm

1. Actual replacement to vehicle could be made by cutting the hose into desired length.
2. Unlike the vacuum hose already installed in the vehicle, this replacement vacuum hose does not have the hose number printed on it. Accordingly, before installing this vacuum hose, write on it the same hose number as that written on the vacuum hose to be removed as shown below.



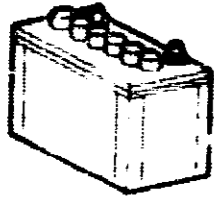
1. As hose is supplied in 300 mm length, cut off excess to meet desired length of 220 mm.
2. Using an oil-based marking pen or a ball-point pen, write the hose number at both ends of the hose, in accordance with the original hose number.

MA 9504-B

PROD. DATE	MODELS	DESCRIPTION	R/P	PART NUMBER	QTY.	REV. REF	
						F	T
8708-9001	↔ 22271 ↔ 3FE..FJ62	GASKET, THROTTLE BODY		22271-61010-	1		
8708-9001	↔ 22278 ↔ 3FE..FJ62	GASKET, IDLE SPEED CONTROL VALVE		22278-43011-	1		
8708-9001	↔ 23091 ↔ 3FE..FJ62	TUBE SUB-ASSY, FUEL PUMP		23091-61010-	1		
8708-9001	↔ 23206A ↔ 3FE..FJ62	BRACKET, FUEL PUMP		23206-61010-	1		
8708-9001	↔ 23206B ↔ 3FE..FJ62	GASKET, FUEL PUMP BRACKET		77169-14010-	1		
F 8708-8909	↔ 23217A ↔ 3FE..FJ62	FILTER, FUEL PUMP		# 23217-35081- (23217-35040-)	1		
8708-9001	↔ 23220P ↔ 3FE..FJ62	PUMP ASSY, FUEL		DENSO, DENSO 23217-35040-	1		
8708-9001	↔ 23220P ↔ 3FE..FJ62	PUMP ASSY, FUEL		AISAN # 23220-16083- (23220-16084-)	1		
8708-9001	↔ 23229 ↔ 3FE..FJ62	CLIP (FOR FUEL PUMP FILTER)		DENSO 23220-16190-	1		
8708-9001	↔ 23233 ↔ 3FE..FJ62	HOSE, FUEL PUMP		23229-16010-	1		
8708-9001	↔ 23233 ↔ 3FE..FJ62	HOSE, FUEL PUMP		23233-16010-	1		

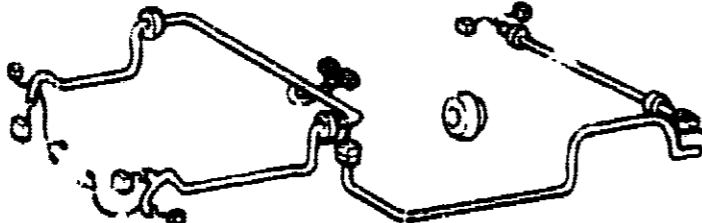
PROD. DATE	MODELS	DESCRIPTION	R/P	PART NUMBER	QTY.	REV. REF	
						F	T
8708-9001	↔ 23233B ↔ 3FE..FJ62	CLIP (FOR FUEL PUMP HOSE)		90457-13001-	2		
8708-9001	↔ 23249 ↔ 3FE..FJ62	RUBBER, CUSHION (FOR FUEL PUMP)		23249-74150-	1		
8708-9001	↔ 23250 ↔ 3FE..FJ62	INJECTOR ASSY, FUEL		23209-61010-	6		
8708-9001	↔ 23250B ↔ 3FE..FJ62	RING, O (FOR FUEL INJECTOR)		NO. 1, NO. 1 90301-07001-	6		
8708-9001	↔ 23250C ↔ 3FE..FJ62	GROMMET (FOR FUEL INJECTOR)		NO. 2, NO. 2 90301-19006-	6		
8708-9001	↔ 23250D ↔ 3FE..FJ62	SPACER (FOR FUEL INJECTOR)		90480-13005-	6		
8708-9001	↔ 23260 ↔ 3FE..FJ62	INJECTOR ASSY, COLD START FUEL		90561-10004-	6		
8708-9001	↔ 23270 ↔ 3FE..FJ62	DAMPER ASSY, FUEL PRESSURE PULSATION		23260-69025-	1		
8708-9001	↔ 23270B ↔ 3FE..FJ62	GASKET (FOR PULSATION DAMPER HOSE)		23207-74010-	1		
8708-9001	↔ 23280 ↔ 3FE..FJ62	REGULATOR ASSY, FUEL PRESSURE		23232-28.10-	1		
8708-9001	↔ 23280 ↔ 3FE..FJ62	REGULATOR ASSY, FUEL PRESSURE		23280-61010-	1		

3K8 (82-01) **1**



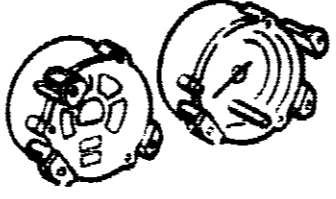
Battery & Cable

3L8 (82-02) **2**



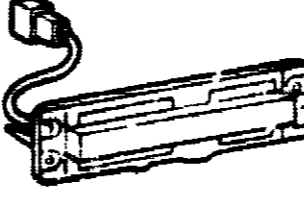
Wiring & Clamp

3C9 (83-01) **3**



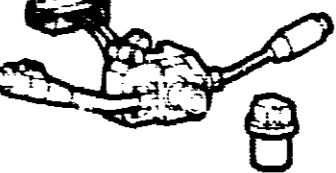
Meter

3E9 (83-02) **4**



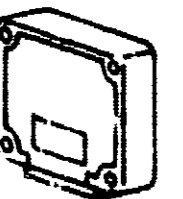
Indicator

3F9 (84-01) **5**



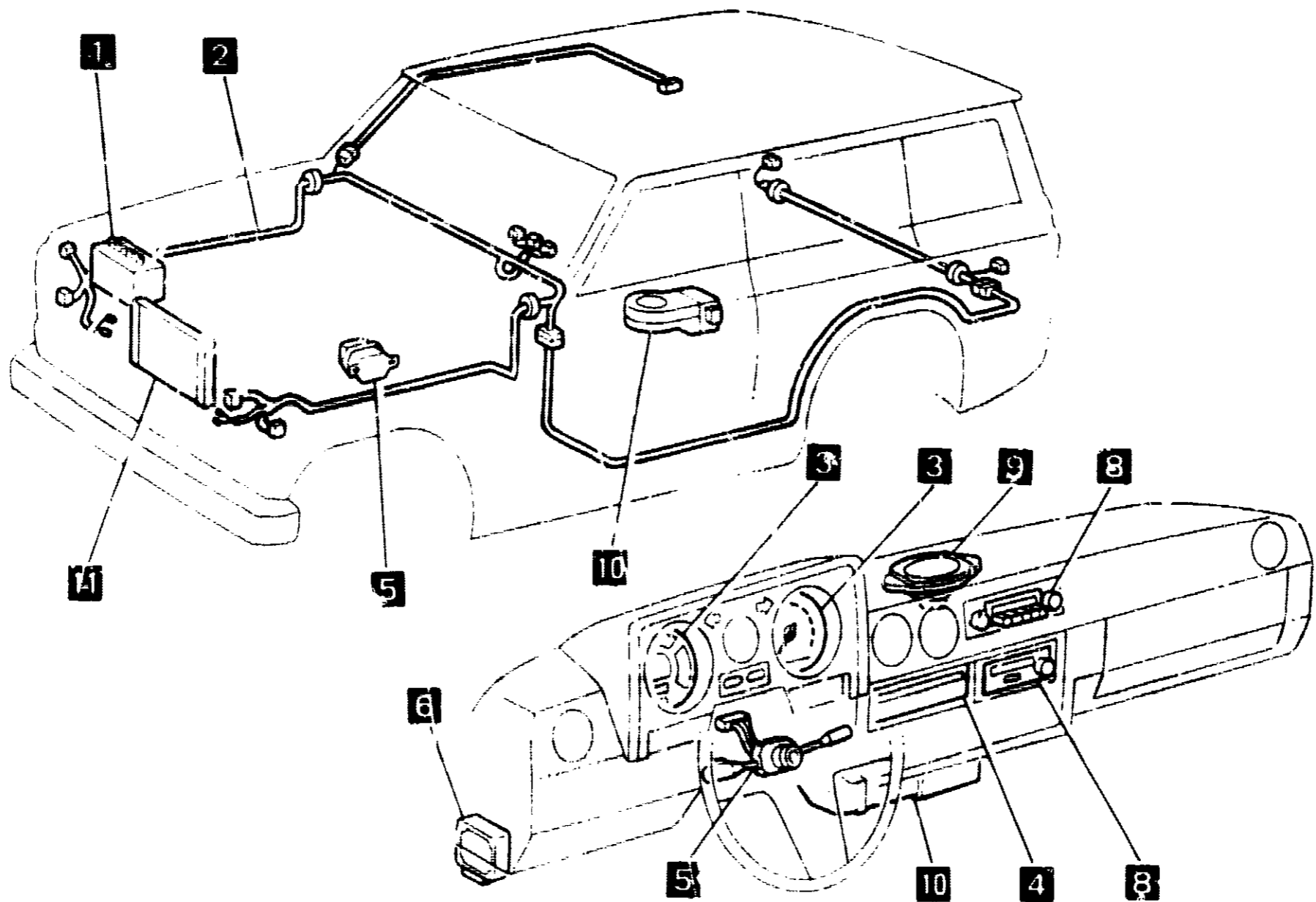
Switch & Relay

3L9 (84-04) **6**

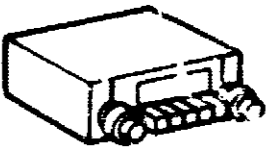


EFI

ELECTRICAL GROUP (2/2)

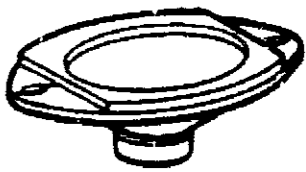


3J10 (86-01) **8**



Radio & Tape Player

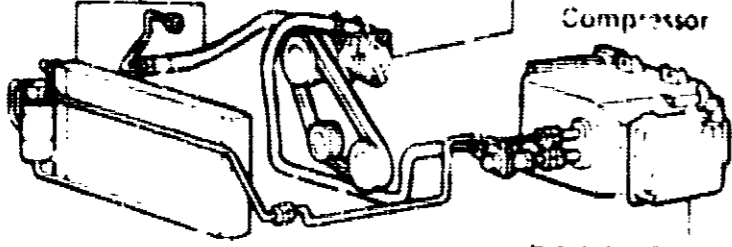
3L10 (86-02) **9**



Speaker

3M11 (87-18) Piping **11**

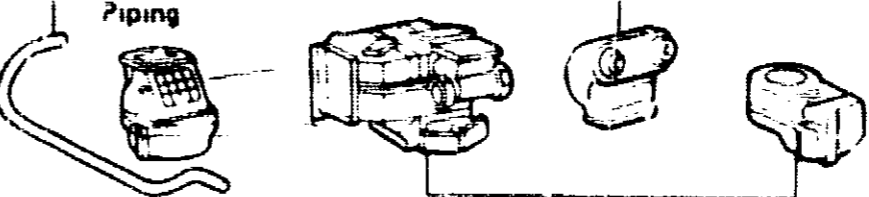
3A12 (87-19) Compressor



3G11 (87-14) Unit

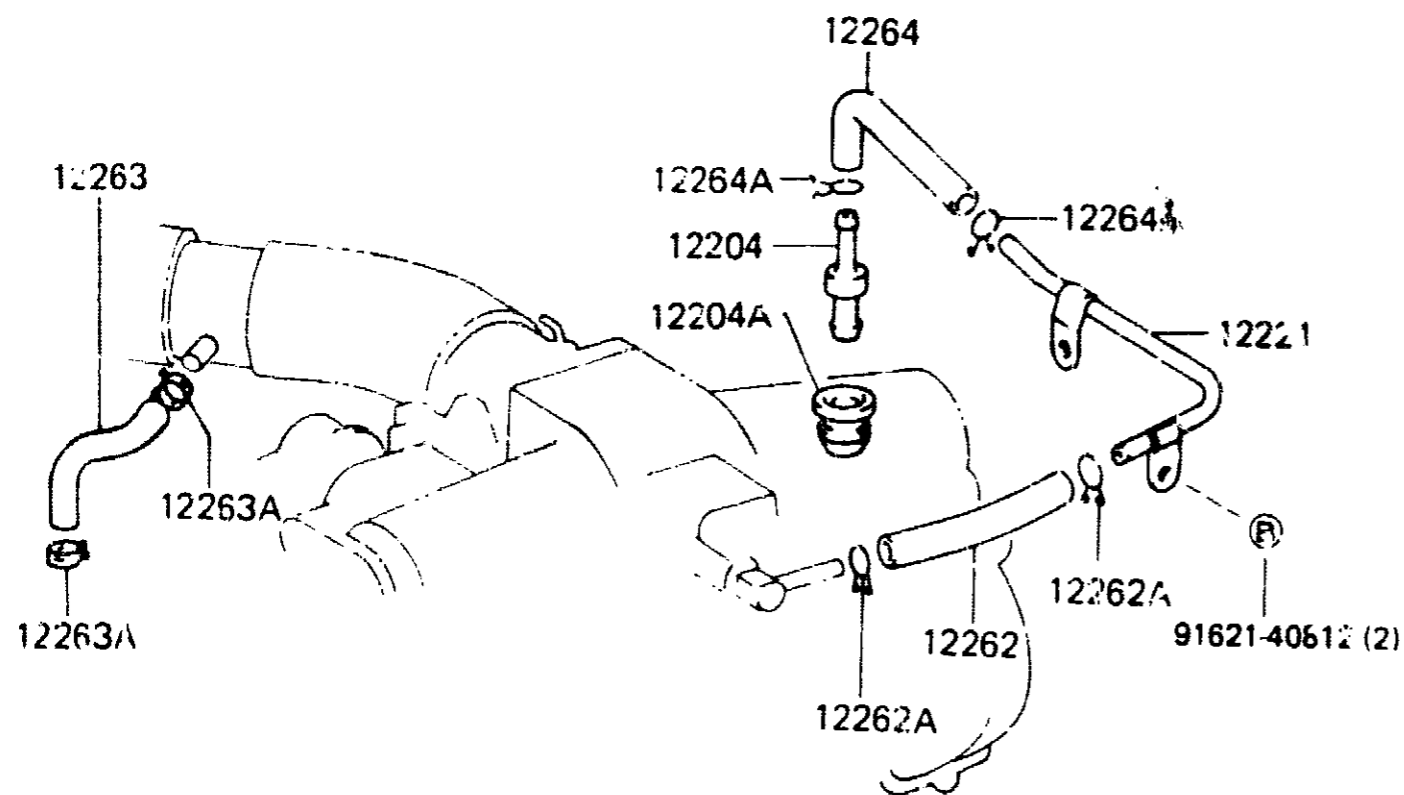
3K11 (87-16) Piping

3I11 (87-15) Duct



3E11 (87-12) Unit

(8708-)



PROD. DATE	MODELS	DESCRIPTION	R / P	PART NUMBER	Q T Y.	REV. REF	
						F	T
6708-9001	1 12204	VALVE SUB-ASSY, VENTILATION		12204-35040-	1		
8708-9001	3FE..FJ62						
8708-9001	1 12204A	GROMMET (FOR VENTILATION SYSTEM)		90470-18001-	1		
8708-9001	3FE..FJ62						
3708-9001	1 12221	TUBE, VENTILATION NO.1		12221-61010-	1		
3708-9001	3FE..FJ62						
8708-9001	1 12262	HOSE, VENTILATION, NO.2		12261-61060-	1		
8708-9001	3FE..FJ62						
3708-9001	1 12252A	CLIP (FOR VENTILATION HOSE NO.2)		90467-15120-	2		
3708-9001	3FE..FJ62						
9708-9001	1 12263	HOSE, VENTILATION, NO.3		12262-61020-	1		
9708-9001	3FE..FJ62						
8708-9001	1 12263A	CLIP (FOR VENTILATION HOSE)		90467-19002-	2		
8708-9001	3FE..FJ62						
8708-9001	1 12264	HOSE, VENTILATION, NO.4		90445-16038-	1		
8708-9001	3FE..FJ62						
8708-9001	1 12264A	CLIP (FOR VENTILATION HOSE)		90467-15120-	2		
8708-9001	3FE..FJ62						

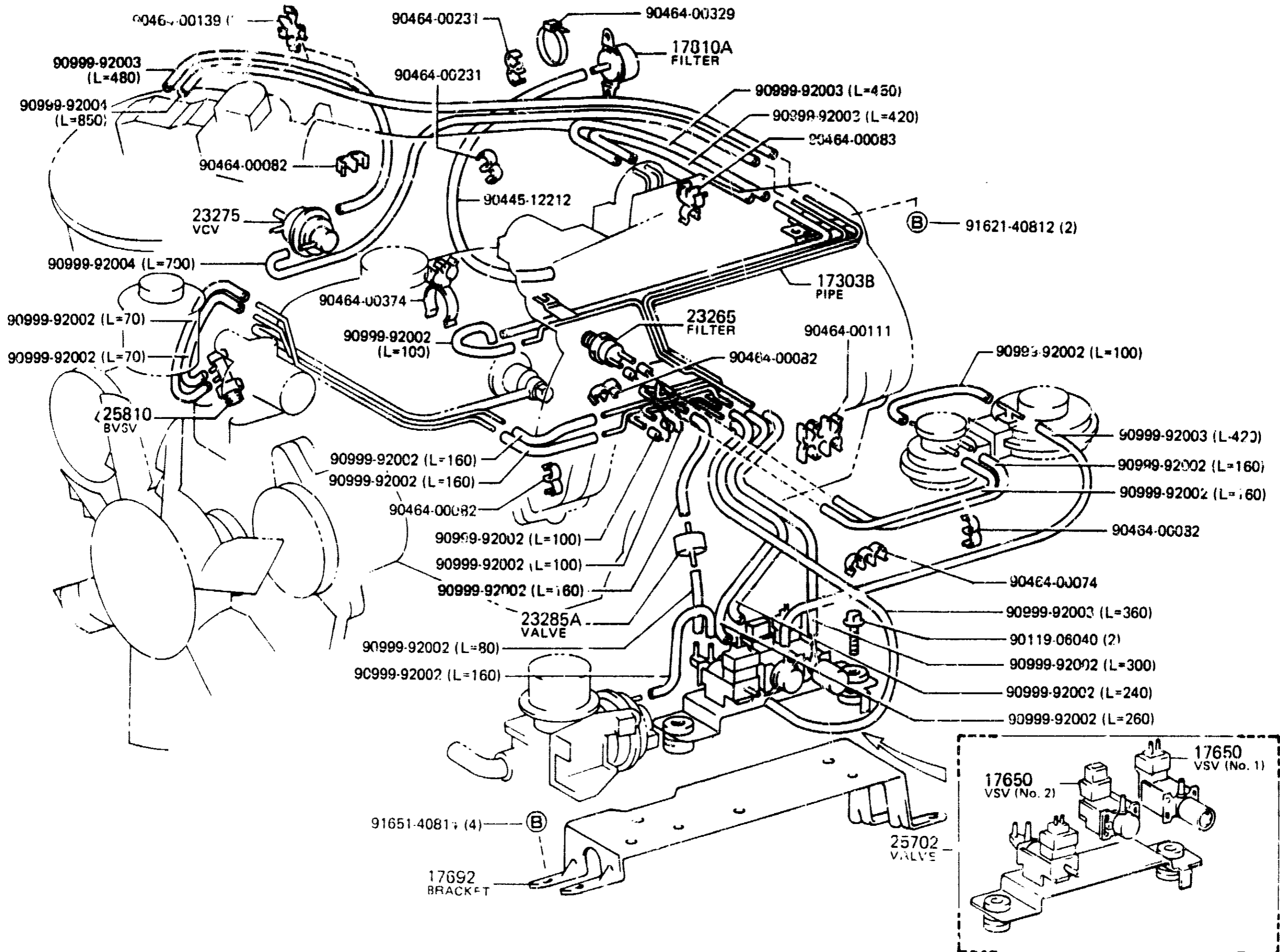
MA 9867-A

PROD. DATE	MODELS	DESCRIPTION	R / P	PART NUMBER	QTY.	REV. REF	
						F	T
8708-9001	1 16400B 3FE..FJ62	PLUG, RADIATOR DRAIN COCK		16417-24200-	1		
8708-9001	1 16400F 3FE..FJ62	PACKING (FOR RADIATOR DRAIN COCK)		16418-24200-	1		
8708-9001	1 16401 3FE..FJ62	CAP SUB-ASSY, RADIATOR		16401-71010-	1		
8708-9001	1 16470 3FE..FJ62	TANK ASSY, RADIATOR RESERVE		16480-90A00-	1		
8708-8808	1 16470A 3FE..FJ62	HOSE OR PIPE (FOR RADIATOR RESERVE TANK) *H,L=670,NO.1		90445-12065-	1		
8808-9001	1 16470B 3FE..FJ62..WGG	CLAMP OR CLIP (FOR RADIATOR RESERVE TANK HOSE) *H,L=760,NO.1			1		
8808-9001	1 16471 3FE..FJ62..WGG	CAP SUB-ASSY, RESERVE TANK *H,L=150,NO.2		30445-12078-	1		
8708-9001	1 16472 3FE..FJ62	HOSE, BREATHER		90467-11085-	2		
8708-9001	1 16571 3FE..FJ62	HOSE, RADIATOR, INLET		16405-90A00-	1		
8708-9001	1 16571A 3FE..FJ62	CLAMP OR CLIP, HOSE (FOR RADIATOR INLET)		16405-61030-	1		

PROD. DATE	MODELS	DESCRIPTION	R / P	PART NUMBER	QTY.	REV. REF	
						F	T
8708-9001	1 16572 3FE..FJ62	HOSE, RADIATOR, OUTLET WATER PUMP SIDE		90467-42001-	2		
8708-9001	1 16572A 3FE..FJ62	CLAMP OR CLIP, HOSE (FOR RADIATOR OUTLET, NO.1)		16572-61020-	1		
8708-8803	1 16572B 3FE..FJ62	CLAMP OR CLIP, HOSE (FOR RADIATOR OUTLET, NO.2)		16573-61040-	1		
8803-9001	1 16577 3FE..FJ62	PIPE, RADIATOR		96111-10510-	2		
8708-9001	1 16582 3FE..FJ62	BRACKET, RADIATOR, NO.1		96111-10500-	2		
8708-9001	1 16583 3FE..FJ62	BRACKET, RADIATOR, NO.2		16577-61130-	1		
8708-9001	1 16584 3FE..FJ62	INSULATOR, RADIATOR MOUNTING		16582-61010-	1		
8708-9001	1 16584A 3FE..FJ62	SPACER, RADIATOR MOUNTING INSULATOR		16583-61010-	1		
8708-9001	1 16571 3FE..FJ62	HOSE, RADIATOR, INLET		16584-61010-	2		
8708-9001	1 16571A 3FE..FJ62	CLAMP OR CLIP, HOSE (FOR RADIATOR INLET)		90561-09005-	2		

*H,L - Cut hose to length as specified in remarks

(8708-)



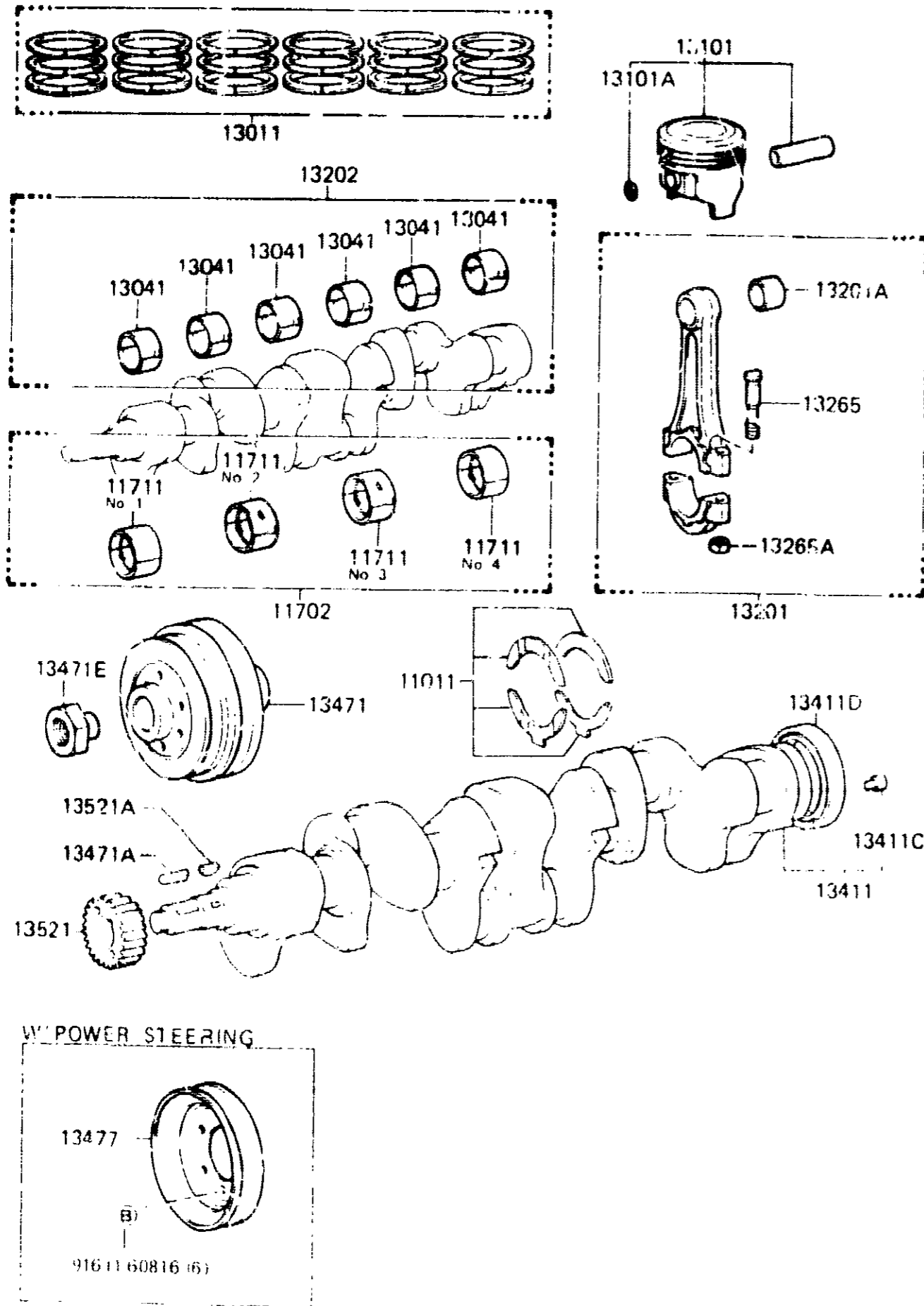
PRD. DATE	MODELS	DESCRIPTION	R / P	PART NUMBER	Q T Y.	REV. REF	
						F	T
8708-9001	↔ 23280E ↔ 3FE..FJ62	RING, O (FOR FUEL PRESSURE REGULATOR)		90301-07001-	1		
8708-9001	↔ 23291 ↔ 3FE..FJ62	INSULATOR, INJECTOR VIBRATION		23291-73010-	6		
8708-9001	↔ 23293 ↔ 3FE..FJ62	GASKET, COLD START INJECTOR		23293-74010-	1		
8708-9001	↔ 23300E ↔ 3FE..FJ62	HOSE, FUEL		90923-01349-	1		
8708-9001	↔ 23300P ↔ 3FE..FJ62	FILTER, FUEL (FOR E-1)		23300-69025-	1		
8708-9001	↔ 23300T ↔ 3FE..FJ62	GASKET (FOR FUEL FILTER)		90430-12005-	4		
8708-9001	↔ 23300U ↔ 3FE..FJ62	BOLT, UNION (FOR FUEL FILTER)		90401-12097-	2		
8708-9001	↔ 23300V ↔ 3FE..FJ62	HOSE, FUEL (FOR FUEL FILTER INLET)		90923-01350-	1		
8708-9001	↔ 23801H ↔ 3FE..FJ62	GASKET		90430-12005-	1		
8708-9001	↔ 23801P ↔ 3FE..FJ62	PIPE SUB-ASSY. FUEL, NO.1		23801-61030-	1		

PRJD. DATE	MODELS	DESCRIPTION	R / P	PART NUMBER	Q T Y.	REV. REF	
						F	T
8708-9001	↔ 23802B ↔ 3FE..FJ62	PIPE SUB-ASSY, FUEL, NO.2		23802-61040-	1		
8708-9001	↔ 23802C ↔ 3FE..FJ62	BOLT, UNION		90401-08004-	1		
8708-8710	↔ 23802D ↔ 3FE..FJ62	GASKET		90430-08009-	1		
8708-8710		UPPER					
8708-8710		LOWER		90430-08011-	1		
8710-9001					2		
8708-9001	↔ 23803B ↔ 3FE..FJ62	PIPE SUB-ASSY, FUEL, NO.3		23803-61010-	1		
8708-9001	↔ 23803C ↔ 3FE..FJ62	BOLT, UNION		90401-08004-	2		
8708-8710	↔ 23803D ↔ 3FE..FJ62	GASKET		90430-08009-	2		
8708-8710		UPPER					
8708-8710		LOWER		90430-08011-	2		
8710-9001					4		
8708-9001	↔ 23807 ↔ 3FE..FJ62	PIPE SUB-ASSY, FUEL DELIVERY		23807-61010-	1		

FIGURE NUMBER INDEX

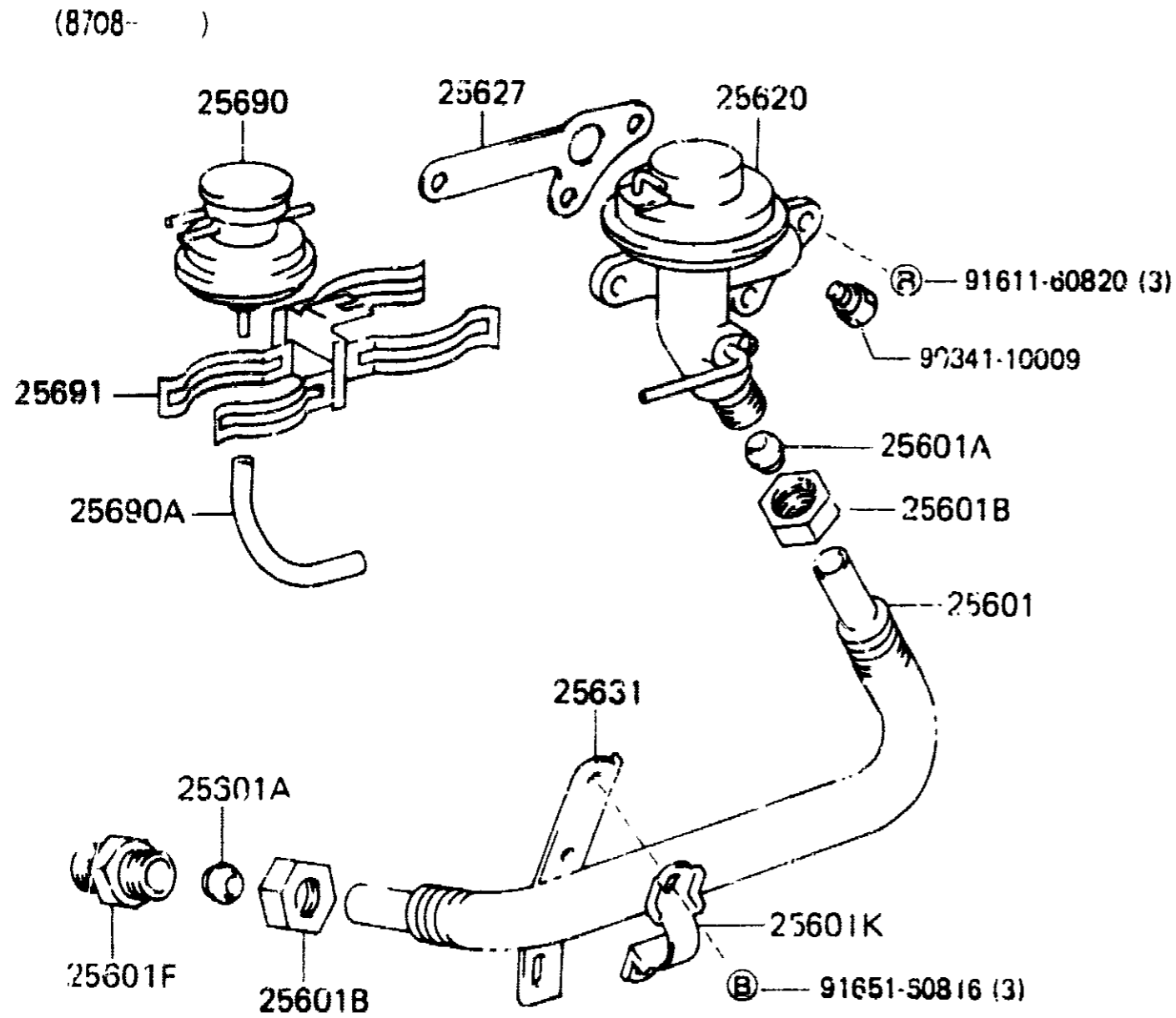
LOCATION	FIG. No.	SUMMARY	LOCATION	FIG. No.	SUMMARY	LOCATION	FIG. No.	SUMMARY
TOOL GROUP			POWER TRAIN - CHASSIS GROUP					
1A1	09-01	STANDARD TOOL	2A1	33-12	SHIFT LEVER & RETAINER	2G7	45-03	OIL COOLER & TUBE
ENGINE GROUP			2D1	35-01	TRANSAXLE OR TRANSMISSION ASSY & GASKET KIT (ATM)	2H7	45-04	STEERING WHEEL
1C1	11-01	PARTIAL ENGINE ASSEMBLY	2E1	35-02	TORQUE CONVERTER, FRONT OIL PUMP & CHAIN (ATM)	2I7	45-05	STEERING GEAR & LINK
1D1	11-02	SHORT BLOCK ASSEMBLY	2G1	35-03	TRANSMISSION CASE & OIL PAN (ATM)	2A8	46-01	PARKING BRAKE & CABLE
1E1	11-03	ENGINE OVERHAUL GASKET KIT	2J1	35-05	SPEEDOMETER DRIVEN GEAR (ATM)	2C8	47-01	BRAKE PEDAL & BRACKET
1F1	11-04	CYLINDER HEAD	2K1	35-06	OVERDRIVE GEAR (ATM)	2D8	47-02	BRAKE MASTER CYLINDER
1H1	11-05	CYLINDER BLOCK	2A2	35-07	BRAKE BAND & MULTIPLE DISC CLUTCH (ATM)	2F8	47-03	BRAKE BOOSTER
1J1	11-06	TIMING GEAR COVER & REAR END PLATE	2D2	35-08	CENTER SUPPORT & PLANETARY SUN GEAR (ATM)	2H8	47-05	FRONT DISC BRAKE CALIPER & DUST COVER
1K1	11-07	MOUNTING	2F2	35-09	BRAKE NO. 3, 1ST & REVERSE BRAKE (ATM)	2J8	47-06	REAR BACKING PLATE & WHEEL CYLINDER
1L1	12-01	VENTILATION HOSE	2G2	35-10	PLANETARY GEAR, REVERSE PISTON & COUNTER GEAR (ATM)	2M8	47-08	BRAKE TUBE & CLAMP
1M1	13-01	CRANKSHAFT & PISTON	2I2	35-11	REAR OIL PUMP & GOVERNOR (ATM)	2E9	48-02	FRONT AXLE ARM & STEERING KNUCKLE
1C2	13-02	CAMSHAFT & VALVE	2K2	35-12	VALVE BODY & OIL STRAINER (ATM)	2G9	48-03	FRONT SPRING & SHOCK ABSORBER
1E2	15-01	OIL PUMP	2I3	35-13	THROTTLE LINK & VALVE LEVER (ATM)	2K9	48-04	REAR SPRING & SHOCK ABSORBER
1G2	15-02	OIL FILTER	2K3	35-14	OIL COOLER & TUBE (ATM)			
1H2	15-03	OIL COOLER	2M3	36-08	TRANSFER ASSEMBLY & GASKET KIT			
1I2	16-01	WATER PUMP	2A4	36-09	TRANSFER CASE & EXTENSION HOUSING			
1J2	16-03	RADIATOR & WATER OUTLET	2C4	36-10	TRANSFER GEAR			
1A3	16-05	V BELT	2F4	36-11	TRANSFER LEVER & SHIFT ROD			
1B3	17-01	MANIFOLD	2H4	36-12	DIAPHRAGM CYLINDER			
1D3	17-02	EXHAUST PIPE	2J4	36-16	TRANSFER VACUUM PIPING			
1F3	17-03	AIR CLEANER	2K4	37-01	PROPELLER SHAFT & UNIVERSAL JOINT			
1H3	17-05	AIR PUMP	2M4	41-01	REAR AXLE HOUSING & DIFFERENTIAL			
1I3	17-06	MANIFOLD AIR INJECTION SYSTEM	2H5	41-02	REAR AXLE SHAFT & HUB			
1K3	17-08	VACUUM PIPING	2K5	41-03	DISK WHEEL & WHELL CAP			
1A4	17-09	CAUTION PLATE & NAME PLATE	2M5	42-01	DIFFERENTIAL LOCK CONTROL			
1B4	19-01	IGNITION COIL & SPARK PLUG	2C6	43-01	FRONT AXLE HOUSING & DIFFERENTIAL			
1D4	19-02	DISTRIBUTOR	2J6	43-02	DRIVE SHAFT			
1E4	19-03	ALTERNATOR	2K6	43-03	FRONT AXLE HUB			
1G4	19-04	STARTER	2M6	43-04	STEERING COLUMN & SHAFT			
FUEL GROUP			2D7	43-05	VANE PUMP & RESERVOIR			
1I4	22-11	FUEL INJECTION SYSTEM						
1M4	25-01	EXHAUST GAS RECIRCULATION SYSTEM						

(8708-)



PRGD. DATE	MODELS	DESCRIPTION	R/P	PART NUMBER	QTY.	REV. REF	
						F	T
	1 11011	WASHER SET, CRANKSHAFT THRUST					
8708-9001	3FE..FJ62	STD		11011-61010-	1		
8708-9001	3FE..FJ62	O/S 0.125		11012-61010-	1		
8708-9001	3FE..FJ62	O/S 0.250		11013-61010-	1		
	1 11702	BEARING SET, CRANKSHAFT					
8708-9001	3FE..FJ62	U/S 0.25		11704-61010-	1		
8708-9001	3FE..FJ62	U/S 0.50		11705-61010-	1		
	1 11711	BEARING, CRANKSHAFT					
8708-9001	3FE..FJ62	MARK 1, NO. 2		11071-61010-01	1		
8708-9001	3FE..FJ62	MARK 2, NO. 2		11071-61010-02	1		
8708-9001	3FE..FJ62	MARK 3, NO. 2		11071-61010-03	1		
8708-9001	3FE..FJ62	MARK 4, NO. 2		11071-61010-04	1		
8708-9001	3FE..FJ62	MARK 5, NO. 2		11071-61010-05	1		
8708-9001	3FE..FJ62	MARK 1, NO. 3		11072-61010-01	1		
8708-9001	3FE..FJ62	MARK 2, NO. 3		11072-61010-02	1		
8708-9001	3FE..FJ62	MARK 3, NO. 3		11072-61010-03	1		
8708-9001	3FE..FJ62	MARK 4, NO. 3		11072-61010-04	1		
8708-9001	3FE..FJ62	MARK 5, NO. 3		11072-61010-05	1		
8708-9001	3FE..FJ62	MARK 1, NO. 4		11073-61010-01	1		
8708-9001	3FE..FJ62	MARK 2, NO. 4		11073-61010-02	1		
8708-9001	3FE..FJ62	MARK 3, NO. 4		11073-61010-03	1		
8708-9001	3FE..FJ62	MARK 4, NO. 4		11073-61010-04	1		
8708-9001	3FE..FJ62	MARK 5, NO. 4		11073-61010-05	1		
8708-9001	3FE..FJ62	MARK 1, NO. 1		11701-61010-01	1		
8708-9001	3FE..FJ62	MARK 2, NO. 1		11701-61010-02	1		

MA 9868



MA 9905-A

PROD. DATE	MODELS	DESCRIPTION	R / P	PART NUMBER	QTY.	REV. REF.	
						F	T
8708-9001	3FE..FJ62	1 25601 PIPE SUB-ASSY, EGR, NO.1		25611-61050-	1		
8708-9001	3FE..FJ62	1 25601A SLEEVE, BALL, EGR PIPE, NO.1		90410-18002-	2		
8708-9001	3FE..FJ62	1 25601B NUT, UNION, EGR PIPE, NO.1		90402-26002-	2		
8708-9001	3FE..FJ62	1 25601F UNION (FOR EGR PIPE, NO.1)		90404-26003-	1		
8708-9001	3FE..FJ62	1 25601K CLAMP (FOR EGR PIPE)		90929-01189-	1		
8708-9001	3FE..FJ62	1 25620 VALVE ASSY, EGR		25620-61110-	1		
8708-9001	3FE..FJ62	1 25627 GASKET, EGR VALVE		25627-61010-	1		
8708-9001	3FE..FJ62	1 25631 STAY, EGR PIPE, NO.1		25631-61040-	1		
8708-9001	3FE..FJ62	1 25690 MODULATOR ASSY, EGR VACUUM		25870-61020-	1		
8708-9001	3FE..FJ62	1 25690A HOSE (FOR EGR VACUUM MODULATOR)		25695-61010-	1		

FIGURE NUMBER INDEX

M16

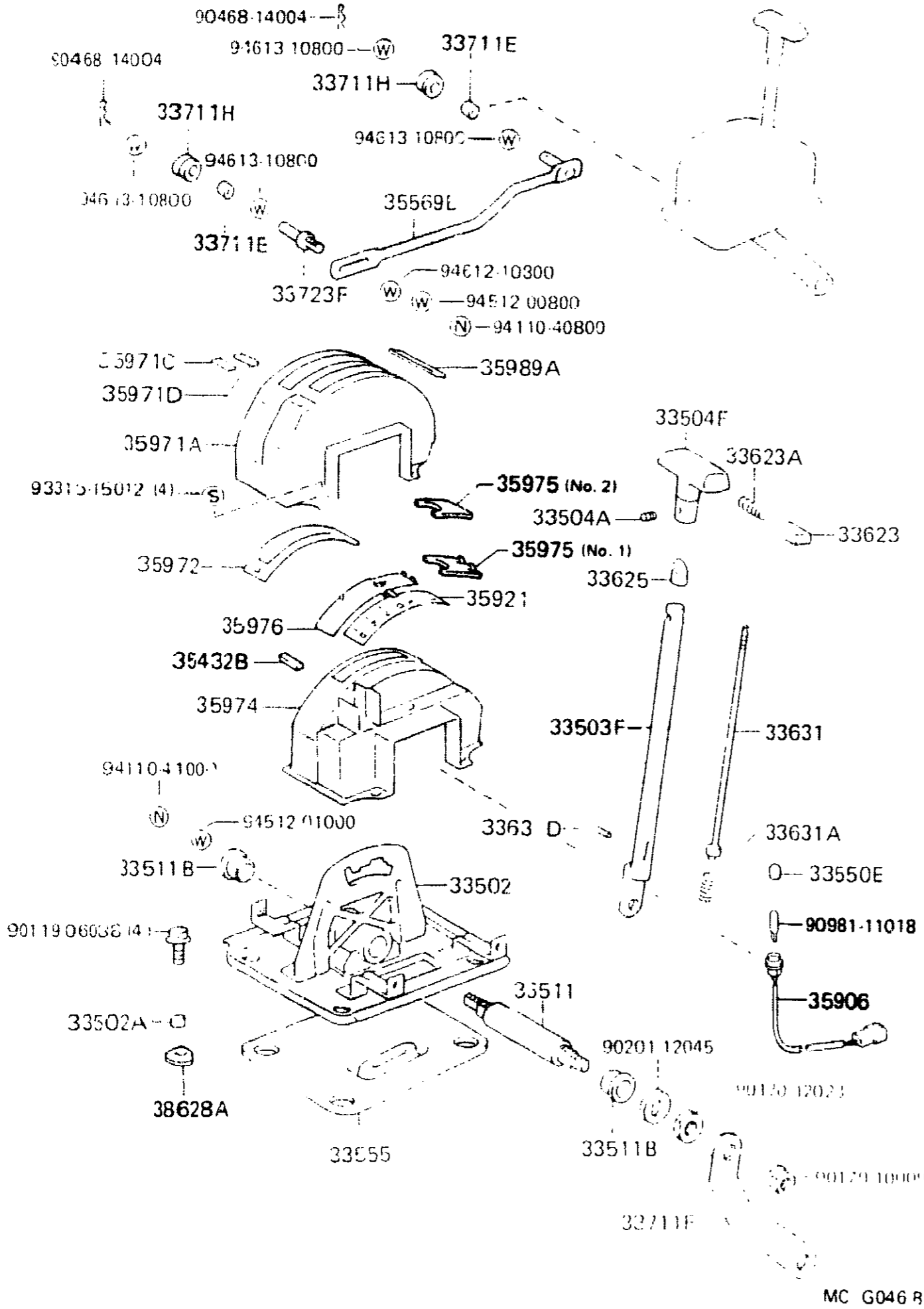
LOCATION	FIG. No.	SUMMARY	LOCATION	FIG. No.	SUMMARY	LOCATION	FIG. No.	SUMMARY
BODY GROUP			ELECTRICAL GROUP					
3A1	51-51	FRAME	3C6	71-51	SEAT & SEAT TRACK	3G10	85-05	HEADLAMP CLEANER
3C1	51-52	SUSPENSION CROSSMEMBER & UNDER COVER	3H6	71-52	SEAT BELT	3I10	85-11	DOOR MOTOR & DOOR SOLENOID
3D1	51-53	SPARE WHEEL CARRIER	3J6	74-51	ARMREST & VISOR	3J10	86-01	RADIO & TAPE PLAYER
3E1	52-51	CAB MOUNTING & BODY MOUNTING	3L5	74-54	BATTERY CARRIER	3L10	86-02	SPEAKER
3G1	52-52	FRONT BUMPER & BUMPER STAY	3M6	74-55	CAUTION PLATE	3A11	86-04	ANTENNA
3H1	52-53	REAR BUMPER & BUMPER STAY	3A7	74-56	ASH RECEPTACLE	3B11	86-11	HORN
3I1	53-51	RADIATOR GRILLE	3B7	75-51	EMBLEM & NAME PLATE	3C11	87-01	MIRROR
3J1	53-53	HOOD & FRONT FENDER	3D7	75-52	MOULDING	3E11	87-12	HEATING & AIR CONDITIONING - HEATER UNIT & BLOWER
3L1	53-54	HOOD LOCK & HINGE	3G7	75-54	TOOL BOX & LICENSE PLATE BRACKET	3G11	87-14	HEATING & AIR CONDITIONING - COOLER UNIT
3M1	53-55	FRONT FENDER APRON & DASH PANEL	3H7	77-51	FUEL TANK & TUBE	3I11	87-15	HEATING & AIR CONDITIONING - CONTROL & AIR DUCT
3B2	55-51	INSTRUMENT PANEL & GLOVE COMPARTMENT	3L7	78-51	ACCELERATOR LINK	3K11	87-16	HEATING & AIR CONDITIONING - WATER PIPING
3F2	55-53	COWL PANEL & WINDSHIELD GLASS	ELECTRICAL GROUP			3M11	87-18	HEATING & AIR CONDITIONING - COOLER PIPING
3H2	57-51	FLOOR MEMBER	3A8	81-01	HEADLAMP	3A12	87-19	HEATING & AIR CONDITIONING - COMPRESSOR
3I2	58-51	FRONT FLOOR PANEL & FRONT FLOOR MEMBER	3C8	81-03	FRONT TURN SIGNAL LAMP			
3L2	58-52	REAR FLOOR PANEL & REAR FLOOR MEMBER	3D8	81-04	FRONT CLEARANCE LAMP			
3A3	58-50	FLOOR INSULATOR	3E8	81-05	FRONT MARKER LAMP			
3B3	58-54	FLOOR MAT & SILENCER PAD	3F8	81-11	REAR COMBINATION LAMP			
3D3	58-55	CONSOLE BOX & BRACKET	3H8	81-13	REAR LICENSE PLATE LAMP			
3G3	61-51	SIDE MEMBER	3I8	81-14	REAR SIDE MARKER LAMP			
3K3	61-52	SIDE WINDOW	3J8	81-21	INTERIOR LAMP			
3L3	61-53	ROOF PANEL & BACK PANEL	3K8	82-01	BATTERY & BATTERY CABLE			
3A4	61-55	REAR VENTILATOR & ROOF VENTILATOR	3L8	82-02	WIRING & CLAMP			
3B4	64-51	INSIDE TRIM BOARD	3C9	83-01	METER			
3E4	64-52	ROOF HEADLINING & SILENCER PAD	3E9	83-02	INDICATOR			
3G4	64-55	DECK BOARD & DECK TRIM COVER	3F9	84-01	SWITCH & RELAY			
3H4	67-51	FRONT DOOR PANEL & GLASS	3L9	84-04	ELECTRONIC FUEL INJECTION SYSTEM			
3L4	67-53	FRONT DOOR LOCK & HANDLE	3A10	85-01	WINDSHIELD WIPER			
3A5	67-54	FRONT DOOR WINDOW REGULATOR & HINGE	3C10	85-02	REAR WIPER			
3C5	67-55	REAR DOOR PANEL & GLASS	3D10	85-03	WINDSHIELD WASHER			
3F5	67-56	REAR DOOR LOCK & HANDLE	3F10	85-04	REAR WASHER			
3H5	67-57	REAR DOOR WINDOW REGULATOR & HINGE						
3J5	67-51	BACK DOOR PANEL & GLASS						
3L5	67-62	BACK DOOR LOCK & HINGE						
3A6	67-65	LOCK CYLINDER SET						

FIG. 33-12 SHIFT LEVER & RETAINER

2A1

791430M-01119

(8708-)



MC G046 B

PROD. DATE	MODELS	DESCRIPTION	R / P	PART NUMBER	QTY.	REV. REF	
						F	T
8708-9001	FJ62	33502 PLATE SUB-ASSY, SHIFT LEVER		33502-60040-	1		
8708-9001	FJ62	33502A COLLAR (FOR FLOOR SHIFT SETTING)		90387-0606E-	4		
8708-9001	FJ62	33503F LEVER SUB-ASSY, SHIFT (FOR FLOOR SHIFT)		33503-60020-	1		
8708-9001	FJ62	33504A BOLT OR PIN (FOR SHIFT LEVER KNOB SETTING)		90113-05034-	2		
8708-9001	FJ62	33504F KNOB SUB-ASSY, SHIFT LEVER (FOR FLOOR SHIFT)		33542-30110-01	1		
8708-9001	FJ62			BLACK (TRIM)			
8708-9001	FJ62			SEPIA BROWN (TRIM)			
8708-9001	FJ62	33511 SHAFT, CONTROL (FOR FLOOR SHIFT)		33511-60060-	1		
8708-9001	FJ62	33511B BUSH (FOR CONTROL SHAFT)		90385-16008-	2		
8708-9001	FJ62	33550E CAP (FOR FLOOR SHIFT POSITION INDICATOR LAMP)		90339-04014-	1		
8708-9001	FJ62	33555 BOOT, SHIFT LEVER		33555-60040-	1		
8708-9001	FJ62	33623 BUTTON, SHIFT LEVER KNOB		33623-30040-56	1		
8708-9001	FJ62			BROWN (TRIM)			

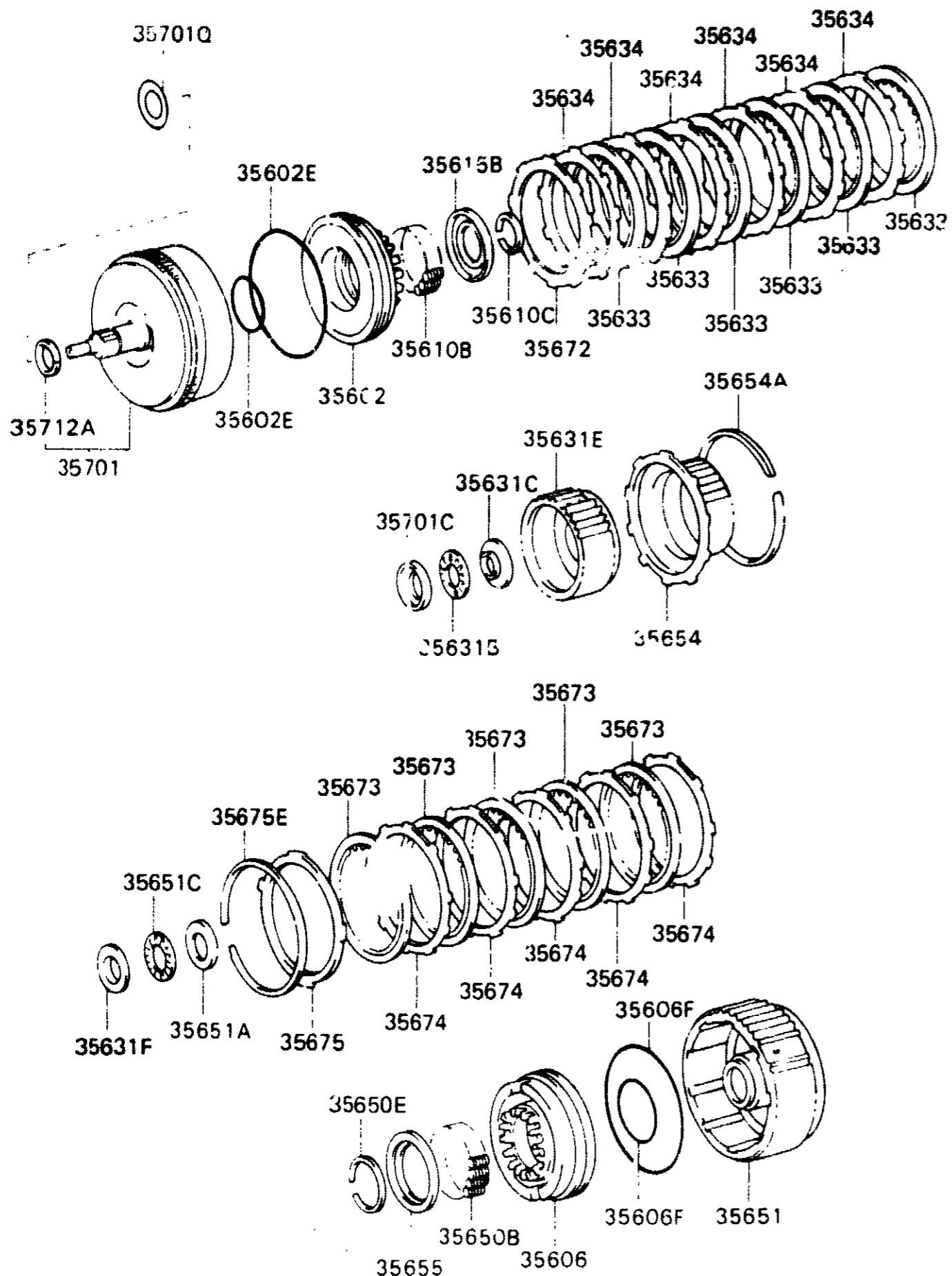
MC G046 B

FIG. 35-07 BRAKE BAND & MULTIPLE DISC CLUTCH (ATM)

2A2

79143CM-01132

(8708-
A440F)



MC E261 C

PROD. DATE	MODELS	DESCRIPTION	R / P	PART NUMBER	QTY.	REV. REF	
						F	T
8708-9001	FJ62	PISTON SUB-ASSY, FRONT CLUTCH		35602-36010-	1		
8708-9001	FJ62	RING, O (FOR FRONT CLUTCH PISTON)					
8708-9001	FJ62	INNER		90301-62004-	1		
8708-9001	FJ62	OUTER		90301-99027-	1		
8708-9001	FJ62	PISTON SUB-ASSY, REAR CLUTCH		35606-36010-	1		
8708-9001	FJ62	RING, O (FOR REAR CLUTCH PISTON)					
8708-9001	FJ62	INNER		90301-62004-	1		
8708-9001	FJ62	OUTER		90301-99028-	1		
8708-9001	FJ62	SPRING, COMPRESSION (FOR FRONT CLUTCH PISTON RETURN)			22		
8708-9001	FJ62	RING, SHAFT SNAP (FOR FRONT CLUTCH PISTON RETURN SPRING)					
8708-9001	FJ62			90520-50001-	1		
8708-9001	FJ62	SEAT, FRONT CLUTCH PISTON RETURN SPRING					
8708-9001	FJ62			35615-36010-	1		
8708-9001	FJ62	BEARING, THRUST (FRONT CLUTCH HUB)					
8708-9001	FJ62			90374-34001-	2		
8708-9001	FJ62	RACE, THRUST BEARING (FOR FRONT CLUTCH HUB FRONT)					
8708-9001	FJ62			35789-36090-	2		
8708-9001	FJ62	HUB, FRONT CLUTCH					
8708-9001	FJ62			35631-36010-	1		

PROD. DATE	MODELS	DESCRIPTION	R / P	PART NUMBER	Q T Y.	REV. REF	
						F	T
8708-9001	FJ62	SPRING, COMPRESSION (FOR LOCK UP SIGNAL VALVE)		90501-12090-	1		
8708-9001	FJ62	VALVE, LOCK UP RELAY		35212-36010-	1		
8708-9001	FJ62	SPRING, COMPRESSION (FOR LOCK UP RELAY VALVE)		90501-11024-	1		
8708-9001	FJ62	VALVE, LOCK UP RELAY CONTROL		35213-36010-	1		
8708-9001	FJ62	PIN, STRAIGHT (FOR LOCK UP RELAY VALVE SLEEVE)		90250-03051-	1		
8708-900	62	SLEEVE NO.1 SIDE		90250-04054-	1		
8708-9001	FJ62	SLEEVE, LOCK UP RELAY VALVE, NO.1		35215-36010-	1		
8708-9001	FJ62	SLEEVE, LOCK UP RELAY VALVE, NO.2		35216-36010-	1		
8708-8709	FJ62	PLUG, LOCK UP SIGNAL VALVE		# 35219-60010- (35219-60011-)	1		
8709-9001	FJ62			35219-60011-	1		
8708-9001	FJ62	PLATE, LOCK UP RELAY VALVE BODY		35222-60010-	1		

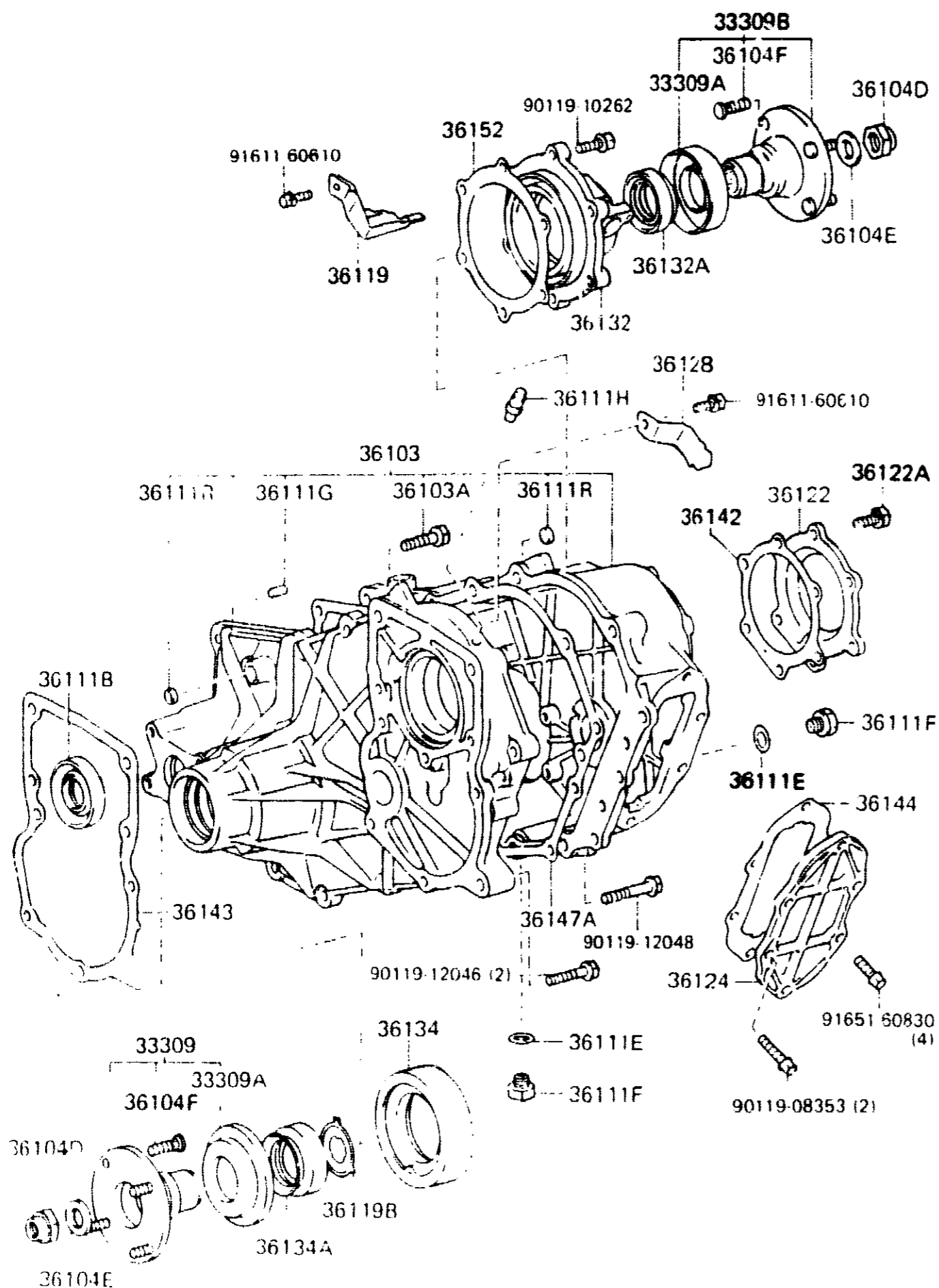
PROD. DATE	MODELS	DESCRIPTION	R / P	PART NUMBER	Q T Y.	REV. REF	
						F	T
8708-9001	FJ62	ASKET, LOCK UP RELAY VALVE BODY		35223-36010-	1		
8708-8709	FJ62	SEAT, LOCK UP SIGNAL VALVE SPRING		# 35226-36010- (35226-36011-)	1		
8709-9001	FJ62			35226-36011-	1		
8708-9001	FJ62	TUBE, LOCK UP SIGNAL VALVE APPLY		35231-36010-	1		
8708-9001	FJ62	STRAINER SUB-ASSY, OIL		35303-60010-	1		
8708-9001	FJ62	GASKET, OIL STRAINER		35339-36010-	1		
8708-9001	FJ62	STRAINER, THROTTLE OIL		35396-36010-	1		
8708-9001	FJ62	PLUG SUB-ASSY, SECONDARY DOWN SHIFT		35405-36010-	1		
8708-9001	FJ62	SPRING, COMPRESSION (FOR SECONDARY DOWN SHIFT PLUG)		90501-10094-	1		
8708-9001	FJ62	PLUG SUB-ASSY, PRIMARY DOWN SHIFT		35408-36010-	1		
8708-9001	FJ62	SPRING, COMPRESSION (FOR PRIMARY DOWN SHIFT PLUG)		90501-11030-	1		

FIG. 36-09 TRANSFER CASE & EXTENSION HOUSING

2A4

791430M-01158

(8708-

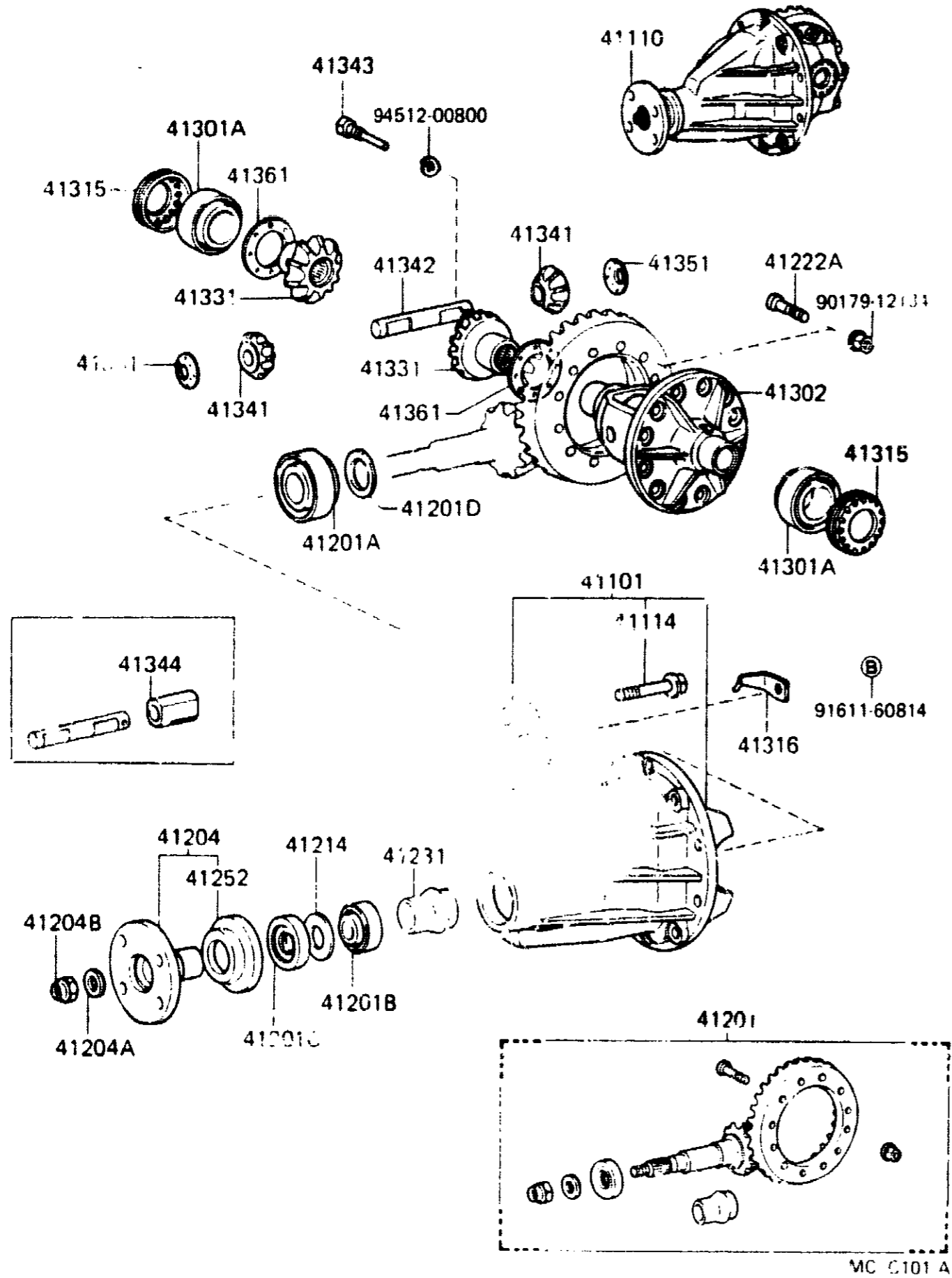


PRCD. DATE	MODELS	DESCRIPTION	R / P	PART NUMBER	Q T Y.	REV. REF	
						F	T
8708-9001	FJ62	FLANGE SUB-ASSY, TRANSFER OUTPUT SHAFT COMPANION		33309-60070-	1		
8708-9001	FJ62	DEFLECTOR, DUST		33325-60010-	1		
8708-9001	FJ62	FR		33325-60021-	1		
8708-9001	FJ62	RR					
8708-9001	FJ62	FLANGE SUB-ASSY, OUTPUT SHAFT COMPANION		33309-60041-	1		
8708-9001	FJ62	CASE SUB-ASSY, TRANSFER		36103-60160-	1		
8708-9001	FJ62	BOLT (FOR TRANSFER CASE)		91651-61030-	3		
8708-9001	FJ62	*10-1.25PX30-30		91651-61040-	8		
8708-9001	FJ62	NUT (FOR TRANSFER OUTPUT SHAFT)		90179-22005-	2		
8708-9001	FJ62	WASHER, PLATE (FOR TRANSFER OUTPUT SHAFT)		90201-22005-	2		
8708-9001	FJ62	BOLT (FOR TRANSFER OUTPUT SHAFT COMPANION FLANGE)		90114-11124-	8		
8708-9001	FJ62	SEAL, OIL (FOR TRANSFER CASE)		90316-48003-	1		
8708-9001	FJ62	GASKET (FOR TRANSFER CASE)		90430-18008-	2		

* - Px - = Outside diameter - Pitch x Bolt length - Thread length

(8708-)

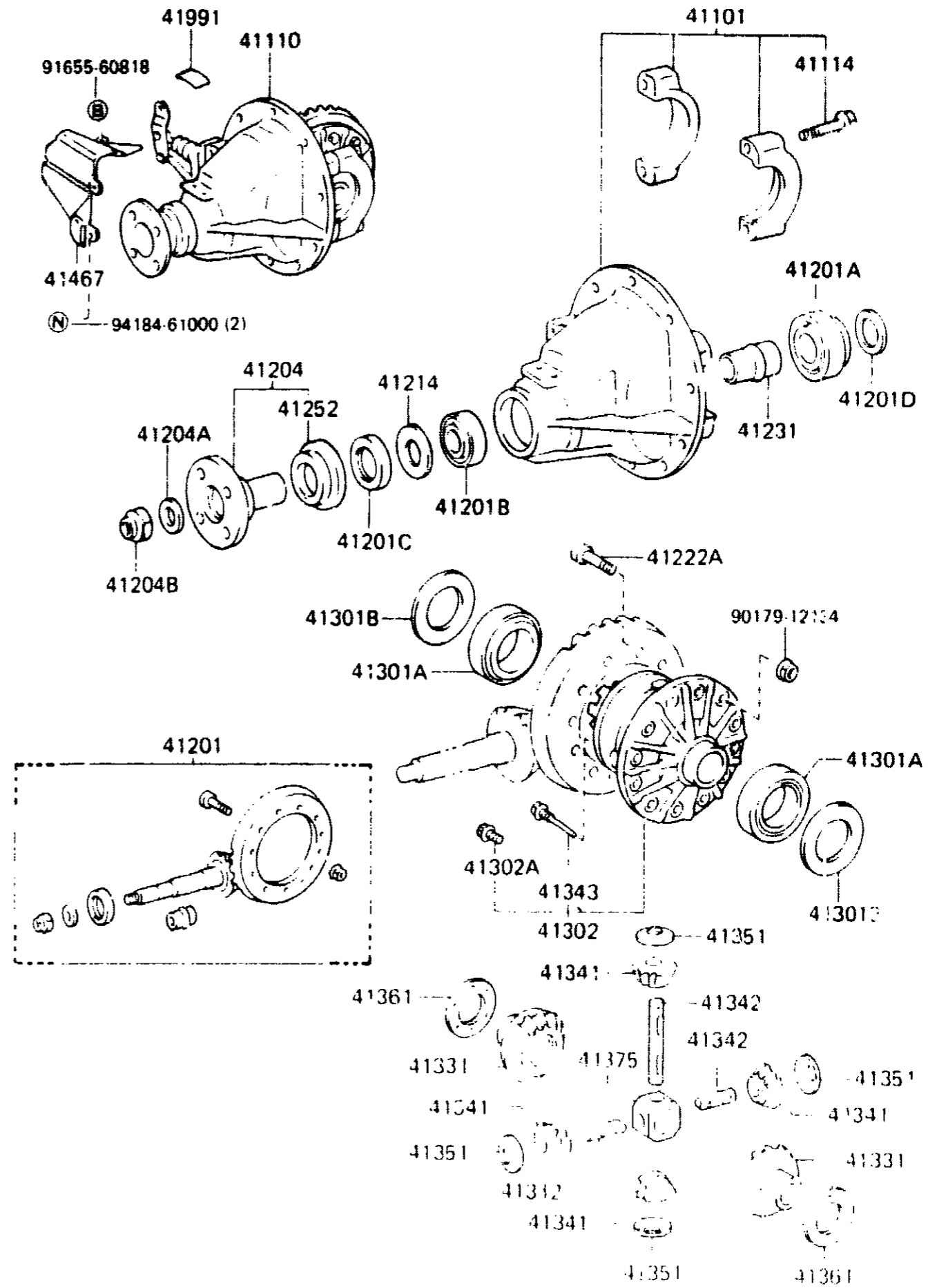
ILLUST. NO. 20F3



(8708-)

ILLUST. NO. 20F3

W/ Differential Lock



PROD. DATE	MODELS	DESCRIPTION	R/P	PART NUMBER	QTY.	REV. REF	
						F	T
8708-9001	FJ62	ROD SUB-ASSY, DIFFERENTIAL LOCK CABLE LINK		42506-60010-	2		
8708-9001	FJ62	PIN, W/HOLE (FOR DIFFERENTIAL LOCK LEVER)		90240-10148-	2		
8708-9001	FJ62	LEVER, DIFFERENTIAL LOCK, FRONT		42511-60010-	1		
8708-9001	FJ62	LEVER, DIFFERENTIAL LOCK, REAR		42512-60010-	1		
8708-9001	FJ62	BRACKET, DIFFERENTIAL LOCK (DIFFERENTIAL LOCK)		42513-60010-	1		
8708-9001	FJ62	GROMMET (FOR DIFFERENTIAL LOCK LEVER)		90480-17019-	2		
8708-9001	FJ62	GROMMET (FOR DIFFERENTIAL LOCK BRACKET)		90480-13012-	3		
8708-9001	FJ62	COLLER (FOR DIFFERENTIAL LOCK BRACKET)		90387-09011-	3		
8708-9001	FJ62	KNOB, DIFFERENTIAL LOCK, FRONT		42514-60010-	1		
8708-9001	FJ62	KNOB, DIFFERENTIAL LOCK, REAR		42515-60010-	1		

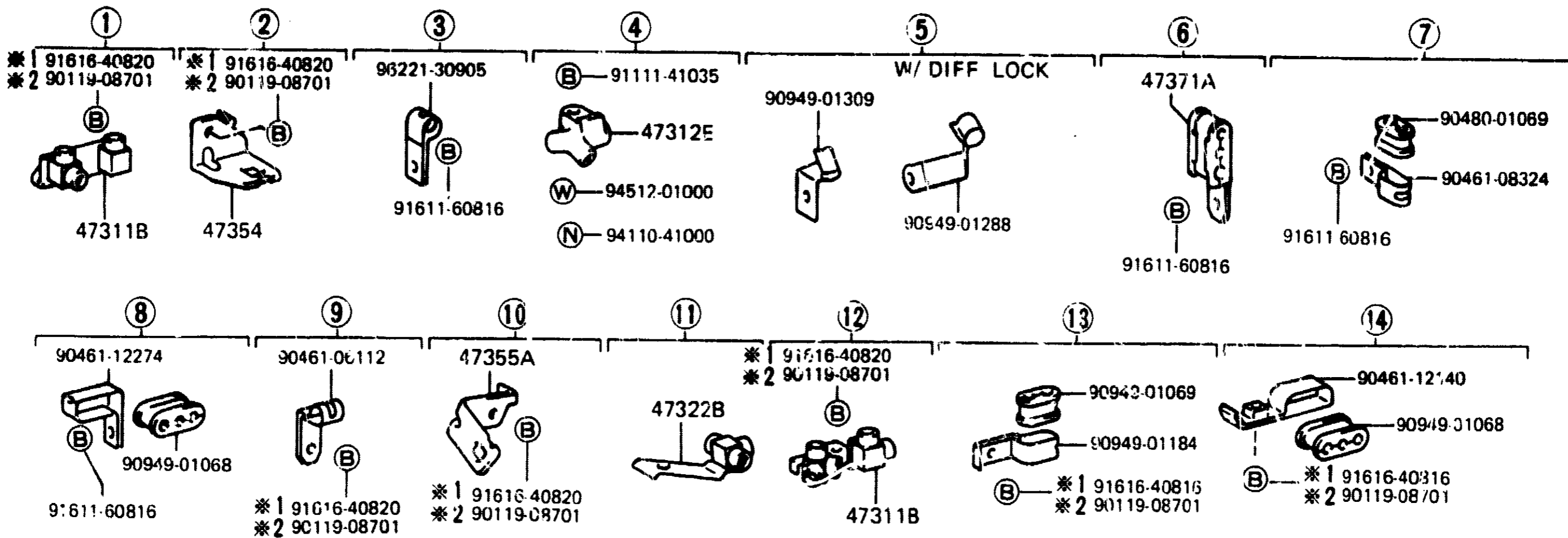
PROD. DATE	MODELS	DESCRIPTION	R/P	PART NUMBER	QTY.	REV. REF	
						F	T
8708-9001	FJ62	LINK, DIFFERENTIAL LOCK, FRONT		42516-60010-	1		
8708-9001	FJ62	LINK, DIFFERENTIAL LOCK, REAR		17-60010-	1		
8708-9001	FJ62	SHAFT, DIFFERENTIAL LOCK LINK		42518-60010-	1		
8708-9001	FJ62	TURN BUCKLE (FOR DIFFERENTIAL LOCK ROD)		90587-08001-	2		
8708-9001	FJ62	GROMMET (FOR DIFFERENTIAL LOCK ROD)		90480-01336-	1		
8708-9001	FJ62	GROMMET (FOR DIFFERENTIAL LOCK ROD)		90480-20016-	2		
8708-9001	FJ62	ROD, DIFFERENTIAL LOCK, NO.1		42521-60010-	2		
8708-9001	FJ62	ROD, DIFFERENTIAL LOCK, NO.2		42522-60010-	2		
8708-9001	FJ62	COVER, DIFFERENTIAL LOCK GROMMET		42523-60010-	1		
8708-9001	FJ62	SHAFT, DIFFERENTIAL LOCK CONTROL, FRONT		42531-60030-	1		

PROD. DATE	MODELS	DESCRIPTION	R/P	PART NUMBER	QTY.	REV. REF	
						F	T
8708-9001	45201F	RING, O (FOR STEERING MAIN SHAFT)		96711-24045-	1		
8708-9001	45201G	SPRING, COMPRESSION (FOR STEERING MAIN SHAFT)		90501-45011-	1		
8708-9001	45205E	RING, SNAP (FOR STEERING COLUMN TUBE)		90521-01002-	1		
8708-9001	45210	SHAFT ASSY, STEERING MAIN		45210-22050-	1		
8708-9001	45215	COLLAR, MAIN SHAFT BEARING THRUST		45215-22011-	1		
8708-9001	45220	SHAFT ASSY, STEERING INTERMEDIATE		45220-60050-	1		
8708-9001	45222F	COVER, DUST		45222-60031-	1		
8708-9001	45231C	BEARING, UNIVERSAL JOINT SPIDER (FOR STEERING MAIN SHAFT)		37402-10020-	4		
8708-9001	45231D	RING, HOLE SNAP (FOR STEERING MAIN SHAFT)		90521-22011-	4		
8708-9001		T=1.2		90521-22012-	4		
8708-9001		T=1.25		90521-22013-	4		
8708-9001		T=1.30					
8708-9001	45244	YOKE, STEERING WORM		45244-60020-	1		

PROD. DATE	MODELS	DESCRIPTION	R/P	PART NUMBER	QTY.	REV. REF	
						F	T
8708-9001	45254	SHIELD, STEERING COLUMN HOLE		45254-60030-	1		
8708-9001	45255	PLATE, STEERING COLUMN HOLE COVER		45255-60010-	1		
8708-9001	45255A	GROMMET OR RING, O (FOR STEERING COLUMN CLAMP)		90301-60122-	1		
8708-9001	45260	SHAFT ASSY, STEERING INTERMEDIATE, NO.2		45260-60080-	1		
8708-9001	45280A	BRACKET ASSY, STEERING COLUMN, UPPER		45280-60260-	1		
P 8708-9001	45286	COVER, STEERING COLUMN		45286-60130-03	1		
P 8708-9001		GRAY (TRIM1), UPR		45286-60130-16	1		
P 8708-9001		SEPIA BROWN (TRIM4), UPR		45287-60090-03	1		
P 8708-9001		GRAY (TRIM1), LWR		45287-60090-16	1		
P 8708-9001		SEPIA BROWN (TRIM4), LWR					
8708-9001	45289A	SUPPORT, STEERING COLUMN COVER		45289-22020-	1		
8708-9001	45291	SEAL, MAIN SHAFT UPPER DUST		45282-22010-	1		
8708-9001	45292	SEAL, MAIN SHAFT LOWER DUST		45292-60030-	1		

(8708-)

ILLUST. NO. 20F3



*1 (-8807)
*2 (8807-)

MC E394-3

CONTENTS
(PART NUMBER - LOCATION)

A14

791430M-00026
C4044 - 16361

04044 - 16361	A14
16363 - 35676	B14
35676 - 45130	C14
45130 - 57402	D14
57405 - 67917	E14
68111 - 81520	F14
81521 - 89668	G14
89669 - 90389	H14
90389 - 91511	I14
91611 - 95775	J14

PART NUMBER	LOCATION	PART NUMBER	LOCATION	PART NUMBER	LOCATION
04044-60150-	2J7	11253-61010-	1H1	13103-61032-	1A2
04111-61070-	1E1	11292-61010-	1A4	13105-61032-	1A2
04112-61060-	1E1	11298-61040-	1A4	13107-61031-	1A2
04351-60011-	2D1 N	-61041-	1A4	-61032-	1A2
04371-10011-	2M6 N	-61042-	1A4	13201-38011-	1A2
-36030-	2K4	-61050-	1A4	13204-61020-	1A2
04412-60030-	2B5 N	-61051-	1A4	13265-34025-	1A2
04434-60012-	2E9 N	-61052-	1A4	13401-61021-	1A2
04443-60330-	2G8	-61060-	1A4	-61023-	1A2
04445-60030-	2J7 S	-61061-	1A4	13470-61030-	1B2
04446-30030-	2D7 N	-61062-	1A4	13471-61010-	1B2
-35010-	2D7	11302-61031-	1J1	13511-60060-	1C2
04455-60020-	2J7	11311-61020-	1J1	13521-61010-	1B2
04474-60010-	2J8 P	11312-61020-	1J1	13523-61010-	1C2
04476-60050-	2J8 B	-61021-	1J1	13571-61010-	1C2
04477-60010-	2B9	11328-61010-	1J1	13711-61010-	1C2
04479-30030-	2H8	11369-60011-	1J1	13715-61040-	1D2
04481-60030-	2H9 P	11400-61120-	1D1	13734-60030-	1D2
04482-60040-	2H9 B	-61121-	1D1	13741-60030-	1D2
	2L9 B	11401-69306-	1H1	-61010-	1D2
04483-60050-	2L9	11452-61010-	1I1	13751-61020-	1D2
04491-60030-	2H8	11495-61010-	1H1	13755-61020-	1D2
04493-60160-	2D8	11701-61010-01	1M1	13781-61020-	1D2
04495-60010-	2J8	-61010-02	1M1	13811-61030-	1D2
-60011-	2J8	-61010-03	1A2	13812-61030-	1D2
09114-60050-	1A1	-61010-04	1A2	13901-61020-	1D2
09115-60030-	1A1	-61010-05	1A2	13952-61012-	1D2
09116-35041-	1A1	11704-61010-	1M1	13994-61020-	1D2
09120-60100-	1A1	11705-61010-	1M1	15012-60014-	1E2
09150-60020-	1A1	11802-61010-	1C2	15100-61011-	1E2
09155-44010-	1A1	11804-61010-	1C2	15121-61011-	1E2
09183-00030-	1B1	11805-61010-	1C2	15122-61011-	1E2
-60010-	1B1	12101-61030-	1I1	15125-60013-	1E2
11011-61010-	1M1	12151-61011-	1I1	15126-60013-	1E2
11012-61010-	1M1	12157-10010-	2F5	15131-24010-	1E2
11013-61010-	1M1		2H1	15132-40010-	1E2
11071-61010-01	1M1		2H6	15133-24010-	1E2
-61010-02	1M1	12180-61010-	1G1	15301-60031-	1I1
-61010-03	1M1	12195-71020-	1G1	15403-60020-	1F2
-61010-04	1M1	12204-35040-	1L1	15600-41010-	1B2
-61010-05	1M1	12221-61010-	1L1	15609-61012-	1G2
11072-61010-01	1M1	12261-61060-	1L1	15691-60010-	1G2
-61010-02	1M1	12262-61020-	1L1	15710-61010-	1H2
-61010-03	1M1	12311-61071-	1K1	15770-61010-	1H2
-61010-04	1M1	12361-61030-	1K1	15777-61030-	1H2
-61010-05	1M1 A	-61031-	1K1	16100-69195-	1I2
11073-61010-01	1M1	12371-61040-	1K1	16110-61180-	1I2
-61010-02	1M1 A	-61041-	1K1	16117-61110-	1I2
-61010-03	1M1 P	12511-61060-	1K1	16124-61110-	1I2
-61010-04	1M1 B	-61061-	1K1	16171-61071-	1I2
-61010-05	1M1	13011-61062-	1A2	16173-61070-	1I2
11101-61080-	1F1	13013-61062-	1A2	16198-41050-	1I2
11115-61020-	1F1	13015-61062-	1A2	16210-61140-	1I2
11122-61011-	1F1	13017-61062-	1A2	16259-52010-	1I2
11123-61011-	1F1	13041-35020-0A	1A2	16261-61020-	1K2
11126-61011-	1G1	-35020-0B	1A2	16264-61010-	1K2
11127-61011-	1G1	-35020-0C	1A2	16268-61010-	1K2
11131-61010-	1G1	13101-61031-	1A2	16271-61010-	1I2
11132-61010-	1G1	-61031-01	1A2	16303-61020-	1K2
11135-60010-	1G1	-61031-02	1A2	16304-61030-	1K2
11136-60030-	1G1	-61031-03	1A2	16341-61020-	1K2
11201-61041-	1G1	-61032-01	1A2	16343-61010-	1K2
11213-61020-	1G1	-61032-02	1A2	16360-61010-	1K2
11251-61020-	1H1	-61032-03	1A2	16361-61020-	1K2

PROD. DATE	MODELS	DESCRIPTION	R / P	PART NUMBER	Q T Y.	REV. REF	
						F	T
8708-9001	FJ62	33623A SPRING, COMPRESSION		90501-07009-	1		
8708-9001	FJ62	33625 SLEEVE, SHIFT LEVER KNOB		33625-22020-	1		
8708-9001	FJ62	33631 ROD, DETENT		33631-60020-	1		
8708-9001	FJ62	33631A SPRING, COMPRESSION (FOR DETENT ROD)		90501-07005-	1		
8708-9001	FJ62	33631D PIN, GROOVED (FOR DETENT ROD)		90256-04001-	1		
8708-9001	FJ62	33711E BUSH (FOR CONTROL SHAFT LEVER)		90369-08005-	2		
8708-9001	FJ62	33711F LEVER, CONTROL SHAFT (FOR FLOOR SHIFT)		33711-60040-	1		
8708-9001	FJ62	33711H GROMMET (FOR CONTROL SHAFT LEVER)		90480-11177-	2		
8708-9001	FJ62	35723F SWIVEL, CONNECTING ROD (FOR FLOOR SHIFT)		33723-22010-	1		
8708-9001	FJ62	35432B PLATE, POSITION INDICATOR (FOR FLOOR SHIFT)		35432-60040-	1		

PROD. DATE	MODELS	DESCRIPTION	R / P	PART NUMBER	Q T Y.	REV. REF	
						F	T
8708-9001	FJ62	35569B ROD, TRANSMISSION CONTROL (FOR FLOOR SHIFT)		35569-60040-	1		
8708-9001	FJ62	35906 WIRE SUB-ASSY, INDICATOR LAMP		35906-60050-	1		
8708-9001	FJ62	35921 PLATE, CONTROL POSITION INDICATOR		35921-60030-	1		
8708-9001	FJ62	35971A HOUSING, POSITION INDICATOR, UPPER		35971-60030-	1		
8708-9001	FJ62	35971C LENS, PARKING BRAKE WARNING LAMP		55499-60010-	1		
8708-9001	FJ62	35971D LENS, CONSOLE END PANEL LAMP		58936-60010-	1		
8708-9001	FJ62	35972 COVER, POSITION INDICATOR HOUSING		35972-60020-	1		
8708-9001	FJ62	35974 HOUSING, POSITION INDICATOR, LOWER		35974-60030-	1		
3708-9001	FJ62	35975 COVER, SLIDE (FOR POSITION INDICATOR)		NO-1 35975-60020-	1		
8708-9001	FJ62			NO-2 35975-60030-	1		
8708-9001	FJ62	35976 COVER, SLIDE, NO.2 (FOR POSITION INDICATOR)		35976-60020-	1		

PROD. DATE	MODELS	DESCRIPTION	R / P	PART NUMBER	Q T Y.	REV. REF	
						F	T
8708-9001	1 35631F FJ62	RACE, THRUST BEARING (FOR REAR CLUTCH DRUM)		35789-36090-	1		
8708-9001	1 35633 FJ62	DISC, CLUTCH (FOR FRONT CLUTCH)		35633-36020-	6		
8708-9001	1 35634 FJ62	PLATE, FRONT CLUTCH		35634-36010-	6		
8708-9001	FJ62	T=1.8		35634-36020-	1		
8708-9001	FJ62	T=2.4		35634-36040-	1		
8708-9001	FJ62	T=2.0		35634-36050-	1		
8708-9001	FJ62	T=2.2					
8708-9001	1 35650B FJ62	SPRING, COMPRESSION (FOR REAR CLUTCH PISTON RETURN)		90501-10108-	22		
8708-9001	1 35650E FJ62	RING, O (FOR REAR CLUTCH PISTON OUTER)		90520-50001-	1		
8708-9001	1 35651 FJ62	DRUM, REAR CLUTCH		35651-36010-	1		
8708-9001	1 35651A FJ62	RACE, THRUST BEARING (FOR REAR CLUTCH DRUM)		35789-36020-	1		
8708-9001	1 35651C FJ62	BEARING, THRUST NEEDLE ROLLER (FOR REAR CLUTCH DRUM)		90374-34001-	1		
8708-9001	1 35654 FJ62	HUB, REAR CLUTCH		35654-36010-	1		

PROD. DATE	MODELS	DESCRIPTION	R / P	PART NUMBER	Q T Y.	REV. REF	
						F	T
8708-9001	1 35654A FJ62	RING, HOLE SNAP (FOR REAR CLUTCH HUB)		90521-99017-	1		
8708-9001	1 35655 FJ62	SEAT, REAR CLUTCH PISTON RETURN SPRING		35615-36010-	1		
8708-9001	1 35672 FJ62	PLATE, CLUTCH CUSHION		35672-36010-	1		
8708-9001	1 35673 FJ62	DISC, REAR CLUTCH		35633-36020-	5		
8708-9001	1 35674 FJ62	PLATE, REAR CLUTCH		35634-36010-	5		
8708-9001	1 35675 FJ62	FLANGE, REAR CLUTCH		35675-36010-	1		
8708-9001	FJ62	T=1.8		35675-36020-	1		
8708-9001	FJ62	T=5.0		35675-36030-	1		
8708-9001	FJ62	T=5.2		35675-36040-	1		
8708-9001	FJ62	T=5.4					
8708-9001	FJ62	T=5.6					
8708-9001	1 35675E FJ62	RING, HOLE SNAP (FOR REAR CLUTCH FLANGE)		90521-99017-	1		
8708-9001	1 35701 FJ62	SHAFT SUB-ASSY, INPUT		35701-60010-	1		
8708-9001	1 35701C FJ62	RACE, THRUST BEARING (FOR INPUT SHAFT REAR)		35789-36020-	2		

PROD. DATE	MODELS	DESCRIPTION	R / F	PART NUMBER	Q T Y.	REV. REF	
						F	T
8708-9001	↔ 35409 ↔ FJ62	SPRING SUB-ASSY, MANUAL DETENT		35409-36010-	1		
8708-9001	↔ 35415F ↔ FJ62	VALVE, PRIMARY REGULATOR		35415-36010-	1		
8708-9001	↔ 35415H ↔ FJ62	SPRING, COMPRESSION (FOR PRIMARY REGULATOR VALVE)		90501-19002-	1		
8708-9001	↔ 35415J ↔ FJ62	WASHER (FOR PRIMARY REGULATOR VALVE)		90201-06566-	1		
8708-9001	↔ 35415P ↔ FJ62	RING, E (FOR PRIMARY REGULATOR VALVE)		90523-06004-	X		
8708-9001	↔ 35416 ↔ FJ62	PLUNGER, PRIMARY REGULATOR VALVE, NO.1		35416-36010-	1		
8708-9001	↔ 35417A ↔ FJ62	SLEEVE, PRIMARY REGULATOR VALVE		35417-36010-	1		
8708-9001	↔ 35418 ↔ FJ62	VALVE, MANUAL		35418-36010-	1		
8708-9001	↔ 35419 ↔ FJ62	VALVE, CHECK, NO.1		35419-36010-	1		
8708-9001	↔ 35419A ↔ FJ62	SPRING, COMPRESSION (FOR CHECK VALVE)		90501-10098-	1		

PROD. DATE	MODELS	DESCRIPTION	R / P	PART NUMBER	Q T Y.	REV. REF	
						F	T
8708-9001	↔ 35420 ↔ FJ62	BODY ASSY, LOWER VALVE		35420-60030-	1		
8708-9001	↔ 35420D ↔ FJ62	BAL. (FOR LOWER VALVE BODY)		90360-06004-	2		
8708-9001	↔ 35420E ↔ FJ62	SPRING (FOR LOWER VALVE BODY)		90503-04003-	2		
8708-9001	↔ 35421F ↔ FJ62	PISTON, ACCUMULATOR, NO.2		35423-36010-	1		
8708-9001	↔ 35421G ↔ FJ62	SPRING, COMPRESSION (FOR ACCUMULATOR PISTON NO.2)		90501-40008-	1		
8708-9001	↔ 35421H ↔ FJ62	RING (FOR ACCUMULATOR PISTON NO.2)		90301-29003-	1		
8708-9001	↔ 35422F ↔ FJ62	STOPPER, VALVE VIBRATING		90301-37004-	1		
8708-9001	↔ 35424C ↔ FJ62	PISTON, C-1 ACCUMULATOR		35422-22010-	1		
8708-9001	↔ 35424D ↔ FJ62	SPRING, COMPRESSION (FOR C-1 ACCUMULATOR PISTON)		35422-36010-	1		

PROD. DATE	MODELS	DESCRIPTION	R / P	PART NUMBER	Q T Y.	REV. REF	
						F	T
8708-9001	FJ62	FILLER PLUG		90341-19006-	1		
8708-9001	FJ62	DRAIN PLUG		90341-18057-	1		
8708-9001	FJ62	PIN, STRAIGHT (FOR TRANSFER CASE)		90250-10006-	2		
8708-9001	FJ62	PLUG, BREATHER (FOR TRANSFER CASE)		90930-03075-	1		
8708-9001	FJ62	PLUG, TIGHT (FOR TRANSFER CASE)		96411-11600-	2		
8708-9001	FJ62	RECEIVER, TRANSFER OIL, NO.1		36119-60010-	1		
8708-9001	FJ62	RECEIVER, TRANSFER OIL, NO.2		36119-60030-	1		
8708-9001	FJ62	COVER, TRANSFER CASE, NO.2		36122-60040-	1		
8708-9001	FJ62	BOLT (FOR TRANSFER CASE) COVER NO.2 *10-1.25PX20-20		91611-61020-	6		
8708-9001	FJ62	COVER, TRANSFER POWER TAKE-OFF		36124-60020-	1		
8708-9001	FJ62	DEFLECTOR, BREATHER OIL		36128-60021-	1		

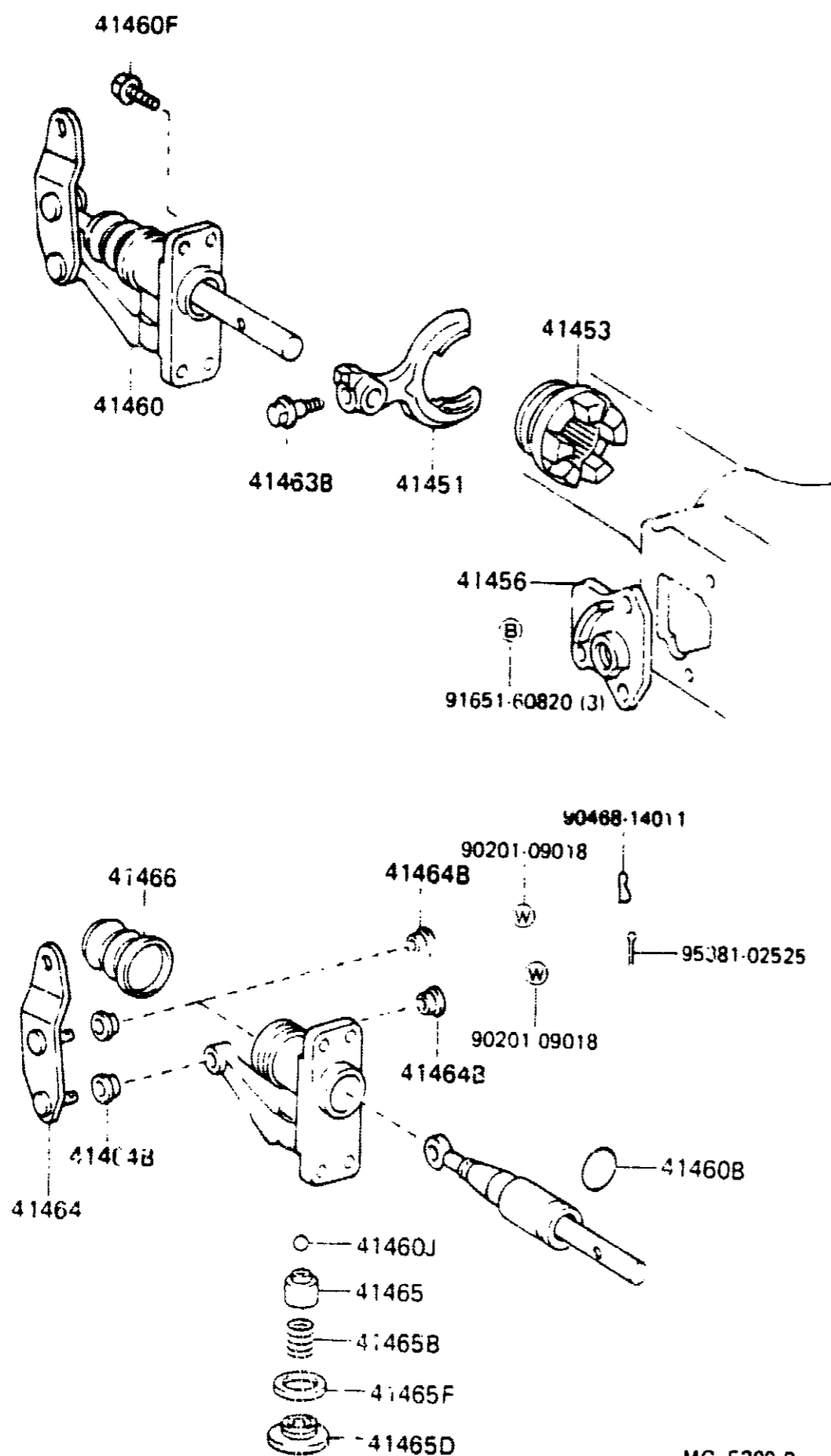
PROD. DATE	MODELS	DESCRIPTION	R / P	PART NUMBER	Q T Y.	REV. REF	
						F	T
8708-9001	FJ62	RETAINER, OUTPUT SHAFT BEARING, REAR NO.1		36132-60020-	1		
8708-9001	FJ62	SEAL, OIL (FOR OUTPUT SHAFT RETAINER)		90311-48010-	1		
8708-9001	FJ62	RETAINER, OUTPUT SHAFT BEARING, FRONT		36134-60020-	1		
8708-9001	FJ62	SEAL, OIL (FOR OUTPUT SHAFT BEARING FRONT RETAINER)		90311-48009-	1		
8708-9001	FJ62	GASKET, TRANSFER COVER		36142-60030-	1		
8708-9001	FJ62	GASKET, TRANSFER CASE, FRONT		36143-60030-	1		
8708-9001	FJ62	GASKET, TRANSFER POWER TAKE-OFF COVER		36144-60020-	1		
8708-9001	FJ62	GASKET, TRANSFER CASE		36143-60020-	1		
8708-9001	FJ62	GASKET, OUTPUT SHAFT BEARING RETAINER		36152-60030-	1		

* - P x - = Outside diameter - Pitch x Bolt length - Thread length

(8708-)

ILLUST.NO. 30F3

Differential Lock



MC E290-B

PROD. DATE	MODELS	DESCRIPTION:	R / P	PART NUMBER	Q T Y.	REV. REF	
						F	T
		04412 GASKET KIT, DIFFERENTIAL CARRIER					
8708-9001	FJ62			04412-60030-	1		
		41101 CARRIER SUB-ASSY, DIFFERENTIAL, REAR					
P 8708-8906	FJ62	W(DIFFERENTIAL LOC K)		# 41101-60080- -(41101-60081-) (90116-10075-)	1 1 2		
S 8911-9001	FJ62..WGG			41101-60041-	1		
8708-8911	FJ62			41101-60040-	1		
8906-9001	FJ62..WGG	W(DIFFERENTIAL LOC K)		41101-60081-	1		
		41110 CARRIER ASSY, DIFFERENTIAL, REAR					
P 8708-8906	FJ62	*AXC=K084, *FGR=37:9, W(DIFFERENTIAL LOCK)		# 41110-60230- -(41110-60231-) (90116-10075-)	1 1 2		
8708-8911	FJ62	*FGR=37:9		# 41110-60110- -(41110-60111-) (90919-01692-)	1 1 1		
N 8906-9001	FJ62..WGG	*FGR=37:9, W(DIFFERENTIAL LOCK)		41110-60231-	1		
N 8911-9001	FJ62..WGG	*FGR=37:9		41110-60111-	1		
		41110A BOLT (FOR REAR DIFFERENTIAL CARRIER SET)					
P 8708-8906	FJ62	S=16&12.5, L=30.5, W(DIFFERENTIAL LOCK)		90116-10074-	6		
8708-9001	FJ62	S=16&12.5, L=30.5			8		
8708-9001	FJ62	S=18&12.5, L=53.5		90116-10075-	2		
8708-9001	FJ62	S=15&12.5, L=35.5		90116-10076-	10		
8708-9001	FJ62	S=32&12.5, L=91.4		90116-10124-	2		
B 8906-9001	FJ62..WGG	S=16 & 12.5, L=30.5		90116-10074-	4		
B 8906-9001	FJ62..WGG	S=18 & 12.5, L=53.5		90116-10075-	4		

*AXC=Axle Code(Stated in TRANS/AXLE Column of Name Plate) *FGR=Final Gear Ratio

PROD. DATE	MODELS	DESCRIPTION	R / P	PART NUMBER	Q T Y.	REV. REF	
						F	T
8708-9001	FJ62	W(DIFFERENTIAL LOCK)		90386-13014-	4		
8708-9001	FJ62	W(DIFFERENTIAL LOCK)			8		
8708-9001	FJ62	SHAFT, DIFFERENTIAL LOCK CONTROL, REAR		42532-60030-	1		
8708-9001	FJ62	BRACKET, DIFFERENTIAL LOCK CONTROL, FRONT NO.1		42533-60010-	1		
8708-9001	FJ62	BRACKET, DIFFERENTIAL LOCK CONTROL, FRONT NO.2		42534-60030-	1		
8708-9001	FJ62	BRACKET, DIFFERENTIAL LOCK CONTROL, REAR NO.1		42535-60010-	1		
8708-9001	FJ62	COVER, CONTROL SHAFT DUST, NO.1					
8708-9001	FJ62	RH		42537-60010-	2		
8708-9001	FJ62	LH		42537-60020-	2		
8708-9001	FJ62	COVER, CONTROL SHAFT DUST, NO.2		33789-36010-	4		
8708-9001	FJ62	COVER, CONTROL SHAFT DUST, NO.3					
8708-9001	FJ62	W(DIFFERENTIAL LOCK)		42537-60010-	2		
8708-9001	FJ62	COVER, CONTROL SHAFT DUST, NO.4		33789-36010-	2		

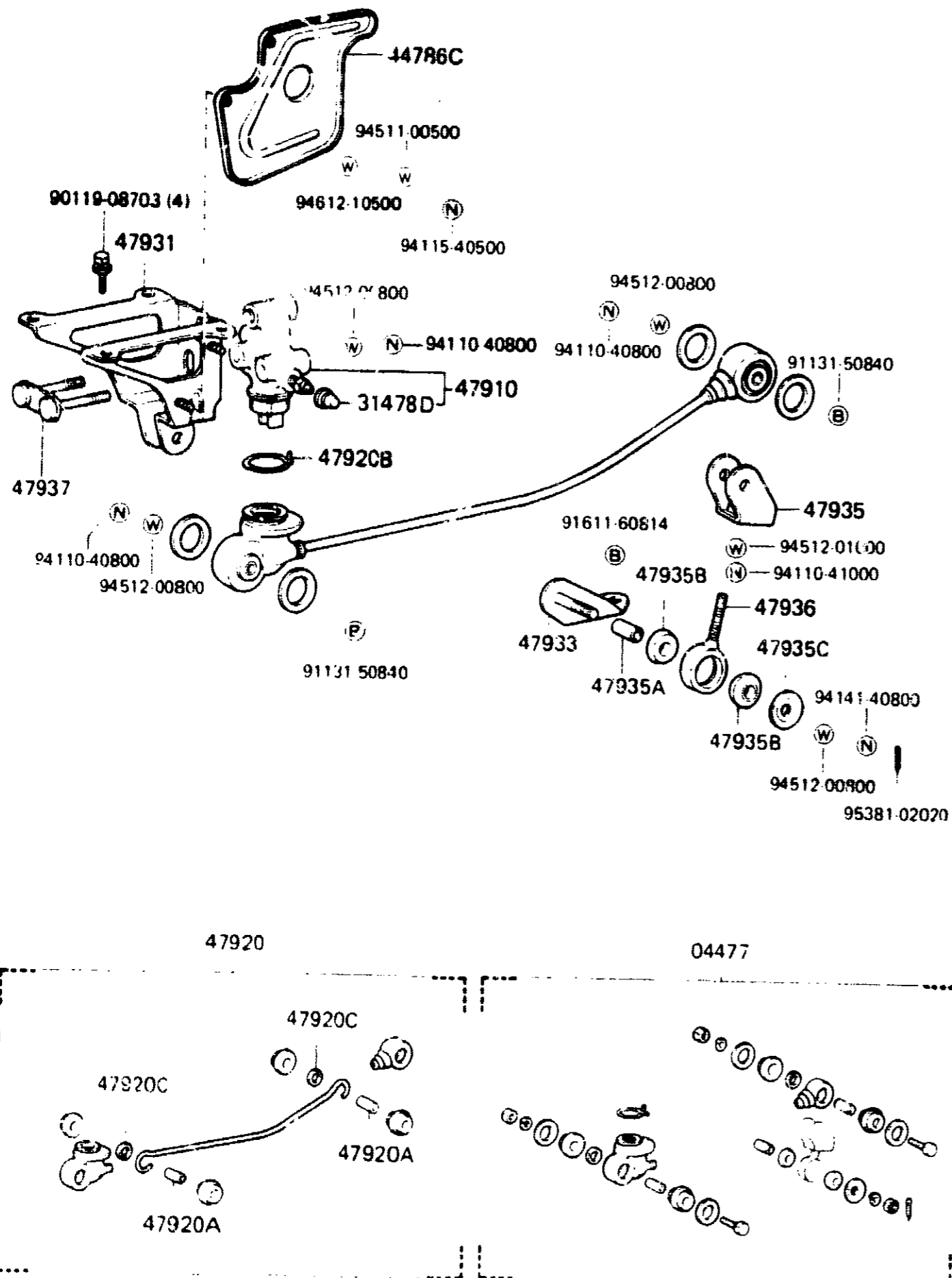
PROD. DATE	MODELS	DESCRIPTION	R / P	PART NUMBER	Q T Y.	REV. REF	
						F	T
8708-9001	FJ62	STAY, CONTROL SHAFT BRACKET		42538-60010-	1		
8708-9001	FJ62	CABLE ASSY, DIFFERENTIAL LOCK, FRONT		42540-60010-	1		
8708-9001	FJ62	BRACKET, DIFFERENTIAL LOCK CABLE		42541-60010-	2		
8708-9001	FJ62	CABLE ASSY, DIFFERENTIAL LOCK, REAR		42550-60010-	1		
8708-9001	FJ62	LINK ASSY, DIFFERENTIAL LOCK CABLE		42560-60011-	2		
8708-9001	FJ62	PIN, W/HOLE (FOR DIFFERENTIAL LOCK CABLE LINK)		90240-09001-	2		
8708-9001	FJ62	SHAFT, DIFFERENTIAL LOCK CABLE LINK		42562-60010-	2		
8708-9001	FJ62	BUSH (FOR DIFFERENTIAL LOCK CABLE LINK SHAFT)		90386-13014-	4		

PROD. DATE	MODELS	DESCRIPTION	R / P	PART NUMBER	Q T Y.	REV. REF	
						F	T
8708-9001	FJ62	PROTECTOR, INTERMEDIATE LINK JOINT, UPPER		45636-60090-	1		
8708-9001	FJ62	PROTECTOR, INTERMEDIATE LINK JOINT, LOWER		45637-60060-	1		
8708-9001	FJ62	LEVER SUB-ASSY, STEERING TILT		45804-22010-	1		
8708-9001	FJ62	COLLAR, TILT STEERING SUPPORT, NO.1		45813-22010-	1		
8708-9001	FJ62	D=17.996-18.003		45813-22020-	1		
8708-9001	FJ62	D=18.003-18.010		45813-22030-	1		
8708-9001	FJ62	D=18.010-18.017		45813-22040-	1		
8708-9001	FJ62	D=18.017-18.024		45813-22050-	1		
8708-9001	FJ62	D=17.969-17.996		45813-22060-	X		
8708-9001	FJ62	COLLAR, TILT STEERING SUPPORT, NO.2		45814-22010-	1		
8708-9001	FJ62	D=17.982-18.000		45814-22020-	1		
8708-9001	FJ62	D=18.000-18.018		45815-22060-	X		
8708-9001	FJ62	SHIM, TILT STEERING SUPPORT		45815-22070-	X		
8708-9001	FJ62	T=0.2		45815-22080-	X		
8708-9001	FJ62	T=0.5		45815-22090-	X		
8708-9001	FJ62	T=0.8		45815-22100-	X		
8708-9001	FJ62	T=1.4					
8708-9001	FJ62	T=1.8					

PROD. DATE	MODELS	DESCRIPTION	R / P	PART NUMBER	Q T Y.	REV. REF	
						F	T
8708-9001	FJ62	STOPPER, STEERING SHAFT THRUST		45817-60010-	2		
8708-9001	FJ62	RETAINER, TILT LEVER		45819-22011-	1		
8708-9001	FJ62	COLLAR (FOR TILT LEVER RETAINER)		90587-08002-	1		
8708-9001	FJ62	REINFORCE, TILT STEERING SUPPORT, NO.1		45821-22010-	1		
8708-9001	FJ62	SPRING, TENSION (FOR STEERING TILT LEVER)		90507-14001-	1		
8708-9001	FJ62	PIN (FOR STEERING TILT LEVER)		72538-12010-	1		
8708-9001	FJ62	TUBE ASSY, STEERING COLUMN		45870-60030-	1		
8708-9001	FJ62	PAWL ASSY, TILT STEERING		45890-22050-	1		
8708-9001	FJ62	BOLT, STEERING LOCK SET		45897-14010-	1		
8708-9001	FJ62	BOLT, RETURN SPRING SET		45898-22010-	1		

(8708-)

ILLUST. NO. 30F3



MC E373-B

P.R.D. DATE	MODELS	DESCRIPTION	R / P	PART NUMBER	QTY.	REV. REF	
						F	T
8708-9001	FJ62	1 04477 BUSH & BOOT KIT, LOAD SENSING SPRING		04477-60010-	1		
8801-9001	FJ62	1 31478D CAP, BLEEDER PLUG (FOR LSPV)		47548-60010-	1		
8708-9001	FJ62	1 44786C INSULATOR, LOAD SENSING VALVE HEAT		44786-60040-	1		
8708-9001	FJ62	1 47311B WAY, NO.1 (FOR FRONT BRAKE TUBE)		90413-10214-	1		
8708-9001	FJ62	1 47311G HOSE, FLEXIBLE (FOR BRAKE TUBE)		96940-33005-	1		
8708-9001	FJ62	1 47312 TUBE, FRONT BRAKE, NO.2		47312-60610-	1		
8708-9001	FJ62	1 47312E WAY, NO.2 (FOR FRONT BRAKE TUBE)		90413-10042-	1		
8708-9001	FJ62	1 47313 TUBE, FRONT BRAKE, NO.3		47313-60180-	1		
8708-9001	FJ62	1 47313A HOSE, FLEXIBLE (FOR FRONT)		96940-39855-	2		
8708-9001	FJ62	1 47314 TUBE, FRONT BRAKE, NO.4		47314-60180-	1		

PART NUMBER	LOCATION	PART NUMBER	LOCATION	PART NUMBER	LOCATION	PART NUMBER	LOCATION	PART NUMBER	LOCATION	PART NUMBER	LOCATION
16363-61020-	1K2	B 17791-61070-	1A4	25870-61020-	1M4	33502-60040-	2A1	35222-60010-	2A3	35481-36012-	212
16331-61050-	1K2	17792-61120-	1A4	27060-61090-	1E4	33503-60020-	2A1	35223-36010-	2A3	35482-60020-	212
16384-61010-	1K2	17801-68020-	1F3	27212-39050-	1E4	33511-60060-	2A1	35226-36010-	2A3	35483-60010-	212
16400-61140-	1K2	17810-61010-	1M3	27310-72070-	1E4	33542-30110-01	2A1	-3601-	2A3	35484-60011-	212
16401-71010-	1L2	17847-66010-	1F3	27312-45010-	1E4	-30110-36	2A1	35231-36010-	2A3	35485-60010-	2J2
16405-61030-	1L2	17845-61011-	1F3	27330-72070-	1E4	33555-60040-	2A1	35303-60010-	2A3	35486-36010-	2J2
-90A00-	1L2	17891-61090-	1F3	27351-38051-	1E4	33623-30040-56	2A1	35308-36010-	2F1	35487-36010-	2J2
16417-24200-	1L2	17882-61070-	1F3	27359-61190-	1F4	33625-22020-	2B1	35313-36010-	2F1	35488-60010-	2F3
16418-24200-	1L2	17883-61020-	1G3	27362-72070-	1F4	33631-60020-	2B1	35321-36010-	2F1	35489-36010-	2G3
16480-90A00-	1L2	A 18450-61010-	1E3	27371-31011-	1F4	33711-60040-	2B1	-36020-	2F1	35491-36010-	2G3
16571-61110-	1L2	-61040-	1E3	27372-31011-	1F4	33723-22010-	2B1	35322-36010-	2F1	35492-36010-	2G3
16572-61020-	1L2	18495-38020-	1E3	27410-72070-	1F4	33727-36010-	2B6	-36020-	2F1	35495-36010-	2F1
16573-61040-	1L2	P 19000-61350-	1C1	27411-61210-	1F4	34101-60010-	2K1	35339-36010-	2A3	35497-36010-	2G3
16577-61130-	1L2	N -61351-	1C1	27412-45012-	1F4	34421-36010-	2M2	35394-30011-	211	35498-36010-	2G3
16582-61010-	1L2	19100-61240-	1D4	27441-45050-	1F4	34601-36010-	2K1	35395-36010-	212	35501-36010-	2J3
16583-61010-	1L2	19101-61240-	1D4	27700-63030-	1F4	34602-36010-	2K1	35396-36010-	2A3	35505-36010-	2J3
16584-61010-	1L2	19102-61240-	1D4	27790-13010-	3H9	34613-36010-	2L1	35405-36010-	2A3	-36020-	2J3
16585-61010-	1M2	19114-61040-	1D4	28011-26042-	1G4	34710-36010-	2L1	35408-36010-	2A3	35519-60030-	3M6
16586-61010-	1M2	19115-50010-	1D4	28100-60070-	1G4	34713-36010-	2L1	35409-36010-	2B3	35520-60050-	2J3
16611-61020-	1M2	19127-61240-	1D4	28110-60070-	1G4	34731-36010-	2L1	35415-36010-	2B3	35556-60010-	2J3
16630-61020-	1K1	19195-61240-	1D4	28120-26071-	1G4	34732-36010-	2L1	35416-36010-	2B3	35557-36010-	2J3
16711-61240-	1M2	19242-61240-	1D4	28130-34060-	1G4	34737-36010-	2L1	35417-36010-	2B3	35560-36011-	2G3
-61241-	1M2	19519-38030-	1B4	28140-26070-	1G4	34738-36010-	2L1	35418-36010-	2B3	35561-60010-	2J3
16793-61011-	1A4	22202-61011-	1J4	28150-34080-	1G4	35000-60162-	2D1	35419-36010-	2B3	35569-60040-	2B1
17109-61010-	1C3	22210-61010-	1J4	28160-26070-	1G4	-60163-	2D1	35420-60030-	2B3	35572-60020-	2J3
17111-61040-	1C3	22216-74010-	1J4	28165-26040-	1H4	35013-60011-	2G1	35422-22010-	2B3	35589-36010-	2G3
17118-61030-	1C3	22233-61010-	1J4	28228-26040-	1H4	35015-60010-	2G1	-36010-	2B3	35595-36010-	2J3
17123-61010-	1C3	22250-61010-	1G3	28229-26040-	1H4	-60011-	2G1	35423-36010-	2B3	35599-36010-	2H3
17125-61010-	1C3	22270-61010-	1J4	28253-45020-	1G4	35017-60010-	2G1	35424-36010-	2B3	35602-36010-	2A2
17139-61010-	1C3	22271-61010-	1K4	28254-45020-	1H4	35019-60010-	2G1	35425-22010-	2C3	35606-36010-	2A2
17141-61080-	1C3	22275-43010-	1G3	28800-61030-	3K8	35035-36010-	2E1	-36010-	2C3	35608-36010-	2D2
17142-61050-	1C3	22278-43011-	1K4	28897-38010-	3K8	35068-36010-	2F2	35427-36010-	2F1		2K1
17167-61070-	1C3	23091-61010-	1K4	28898-26010-	3K8	35073-60010-	2G2	35428-60020-	2C3	35615-36010-	2A2
17168-61030-	1C3	23206-61010-	1K4	31478-50010-	2H3	35103-60011-	2G1	35429-36010-	2C3		2B2
17169-61040-	1C3	23207-74010-	1K4		2K3	-60012-	2G1	35430-60090-	2C3	35617-36010-	2F1
17172-61060-	1C3	23209-61010-	1K4	P 32000-60050-	2E1	35104-60010-	2G1	35432-60030-	2C3	-36020-	2E2
17176-61010-	1C3	23217-35040-	1K4	B -60031-	2E1	60011-	2G1	-60040-	2B1		2M1
17301-61010-	1L3	-35081-	1K4	-60040-	2E1	35106-60041-	2H1	35433-36010-	2C3	35621-36010-	2D2
17303-61020-	1M3	P 23220-16083-	1K4	P 32101-60010-	2E1	-60043-	2H1	35434-36010-	2C3		2L1
17306-61030-	1J3	-16190-	1K4	B -60011-	2E1	35111-60010-	2H1	35435-36011-	2C3	35623-36010-	2F2
17314-61040-	1H3	23229-16010-	1K4	P 32116-60010-	2E1	35112-36010-	2M2	35436-36011-	2C3	35631-36010-	2A2
17317-61020-	1K2	23232-28010-	1K4	B -60011-	2E1	35113-36010-	2M2	35437-36011-	2C3	35632-36010-	2D2
17318-61060-	1H3	23239-16010-	1K4	P 32117-60010-	2E1	35114-36010-	2M2	35438-60020-	1C3		2M1
17341-61030-	113	23249-74050-	1K4	B -60011-	2E1	35115-36010-	2M2	35440-60011-	2C3	-36020-	2F2
17342-61040-	113	23260-69025-	1K4	32904-60012-	2K3	35116-60010-	2H1	35444-36010-	2C3	35633-36010-	2D2
17343-61030-	113	23280-61010-	1K4	32905-60012-	2K3	35117-60010-	2H1	35445-36010-	2D3		2M1
17344-61020-	113	23291-73010-	1L4	32906-60012-	2K3	35118-60010-	2H1	35451-36010-	2D3	-36020-	2B2
17353-61010-	1J3	23293-74010-	1L4	32923-36010-	2K3	35136-60010-	2H1	35452-36010-	2D3		2M1
17401-61210-	1E3	23300-69025-	1L4	32924-60011-	2K3	35138-60010-	2H1	35454-36010-	2D3	-36030-	2B2
17402-61010-	1E3	23301-61030-	1L4	32925-60030-	2K3	35143-36010-	2H1	35455-36010-	2D3	35634-6010-	2B2
17403-61110-	1E3	23802-61040-	1L4	32926-30020-	2L3	35144-36010-	2H1	35456-36010-	2E3		2M1
17405-61240-	1E3	23803-61010-	1L4	32928-60011-	2L3	35146-36010-	212	35458-36010-	2E3	-36020-	2B2
17502-61021-	1E3	23807-61010-	1L4	32942-60010-	2L3	35167-60011-	2H1	35459-36010-	2E3	-36040-	2B2
17567-61030-	1E3	25611-61050-	1M4	-60050-	2L3	-60012-	2H1	35462-36010-	2E3	-36050-	2B2
17571-61160-	1E3	25620-61110-	1M4	32943-60010-	2L3	35168-36010-	211	35467-36010-	2E3	35651-36010-	2B2
17572-61051-	1E3	25627-61010-	1M4	33309-60041-	2A4	35182-36010-	2H1	35464-36011-	2E3	35654-36010-	2B2
17573-61051-	1E3	25631-61040-	1M4	-60070-	2A4	35211-36010-	2M2	35466-60010-	2E3	35671-36010-	2F2
17574-61050-	1E3	25691-61020-	1A5	33325-60010-	2A4	-36011-	2M2	35467-36010-	2F3	35672-36010-	2B2
-61071-	1E3	25695-61010-	1M4	-60021-	2A4	35212-36010-	2A3	35468-36011-	2F3	35675-36010-	2B2
17610-61040-	1H3	25702-61010-	1M3	A 33403-69195-	2J1	35213-36010-	2A3	35472-36011-	2F3		2L1
17692-61020-	1M3	25710-61030-	1J3	33404-30040-	2J1	35215-36010-	2A3	35476-36010-	2F3	-36020-	2B2
17700-61230-	1F3	25716-61020-	1J3	33461-60050-	2D4	35216-36010-	2A3	35477-30030-	2F3	-36030-	2B2
17705-61150-	1F7	25820-13020-	1M3	-60051-	2D4	35219-60010-	2A3	35479-36010-	2F3	-36040-	2B2
P 17791-61025-	1A4	25860-61010-	1M3	33485-30020-	2J1	-60011-	2A3	35481-36011-	212	35676-36010-	2D2

B15

LAND CRUISER Station Wagon U. S. A.
PRODUCTION FRAME NUMBER REFERENCE LIST

Applicable Model	Production Date	8701	8702	8703	8704	8705	8706	8707	8708	8709	8710	8711	8712
	Assembly Line												
FJ62	TMC Honsya Plant								074039	075376	007721	079169	0081250

Applicable Model	Production Date	8801	8802	8803	8804	8805	8806	8807	8808	8809	8810	8811	8812
	Assembly Line												
FJ62	TMC Honsya Plant	0083764	0086005	0088379	0090616	0092239	0093499	0094861	0096292	0097372	0098711	0100682	0102775

Applicable Model	Production Date	8901	8902	8903	8904	8905	8906	8907	8908	8909	8910	8911	8912
	Assembly Line												
FJ62	TMC Honsya Plant	0104333	0105696	0107184	0109036	0110711	0111341	0113601	0115125	0116480	0117954	0119300	0120955

MARK & ABBREVIATION LIST

B16

(1) Abbreviations Under Heading MODELS in Text

Heading	Mark	Definition
MODELS	..	Among
	.	And
	+	And (Plus)
	-	Excluded (minus)
	#	All series

(2) Abbreviations Under Heading R/P and QTY in Text

Heading	Mark	Definition
R/P	=	Old parts number (Old)
	X	Modified old parts number which has been substituted by a multiple of parts and/or if substituted parts are specified by applicable models or other determining specifications refer to SUBSTITUTE SUPPLY PARTS LIST (S.S.P.L.) for detailed information. (Old)
	∩	New main part number of set substitution (New)
	.	Part number to be attached to main part (New)
	X	Number of previously supplied but currently non-supplied parts
QTY	33	Required quantity
	X	Required quantity
	Y	More than 100 units
DESCRIPTION	XXX	Number of old type parts, the supply of which will be discontinued after the lapse of a certain period
	(TRIM ●)	Trim code whose third digit is ●

(3) CHANGES TO TEXT & APPENDICES

Certain codes are used to indicate changes to the text and/or appendix.

These codes appear in the marginal area of the affected page as follows:

CODE	LOCATION	EXPLANATION
C	Text	Changes of Parts Number, Model and Production Date.
B		Data with a changed part number
A		Data with a changed application model
P		Data with changed year system (beginning/end)
N	Text & Appendix	Newly available Toyota Part Number
S	Text & Appendix	Part application expanded to include other vehicle model(s)

PROD. DATE	MODELS	DESCRIPTION	R / P	PART NUMBER	Q T Y.	REV. REF	
						F	T
8708-9001	FJ62	RING, O (FOR C-1 ACCUMULATOR PISTON)		90301-22003-	1		
8708-9001	FJ62	FR		90301-24002-	1		
8708-9001	FJ62	PISTON, C-2 ACCUMULATOR		35425-36010-	1		
8708-9001	FJ62	SPRING, COMPRESSION (FOR C-2 ACCUMULATOR PISTON)		90501-30014-	1		
8708-9001	FJ62	RING, O (FOR C-2 ACCUMULATOR PISTON)		90301-28003-	1		
8708-9001	FJ62	UPR		90301-33006-	1		
8708-9001	FJ62	LWR		35425-22010-	1		
8708-9001	FJ62	SEAT, PRIMARY REGULATOR VALVE SLEEVE		35428-60020-	1		
8708-9001	FJ62	PLUG, 2-3 SHIFT TIMING VALVE		35429-36010-	2		
8708-9001	FJ62	TUBE, LINE PRESSURE		35430-60090-	1		
8708-9001	FJ62	BODY ASSY, REAR UPPER VALVE		90360-06004-	7		
8708-9001	FJ62	BALL (FOR REAR UPPER VALVE BODY) OD=6.35		35432-60030-	1		

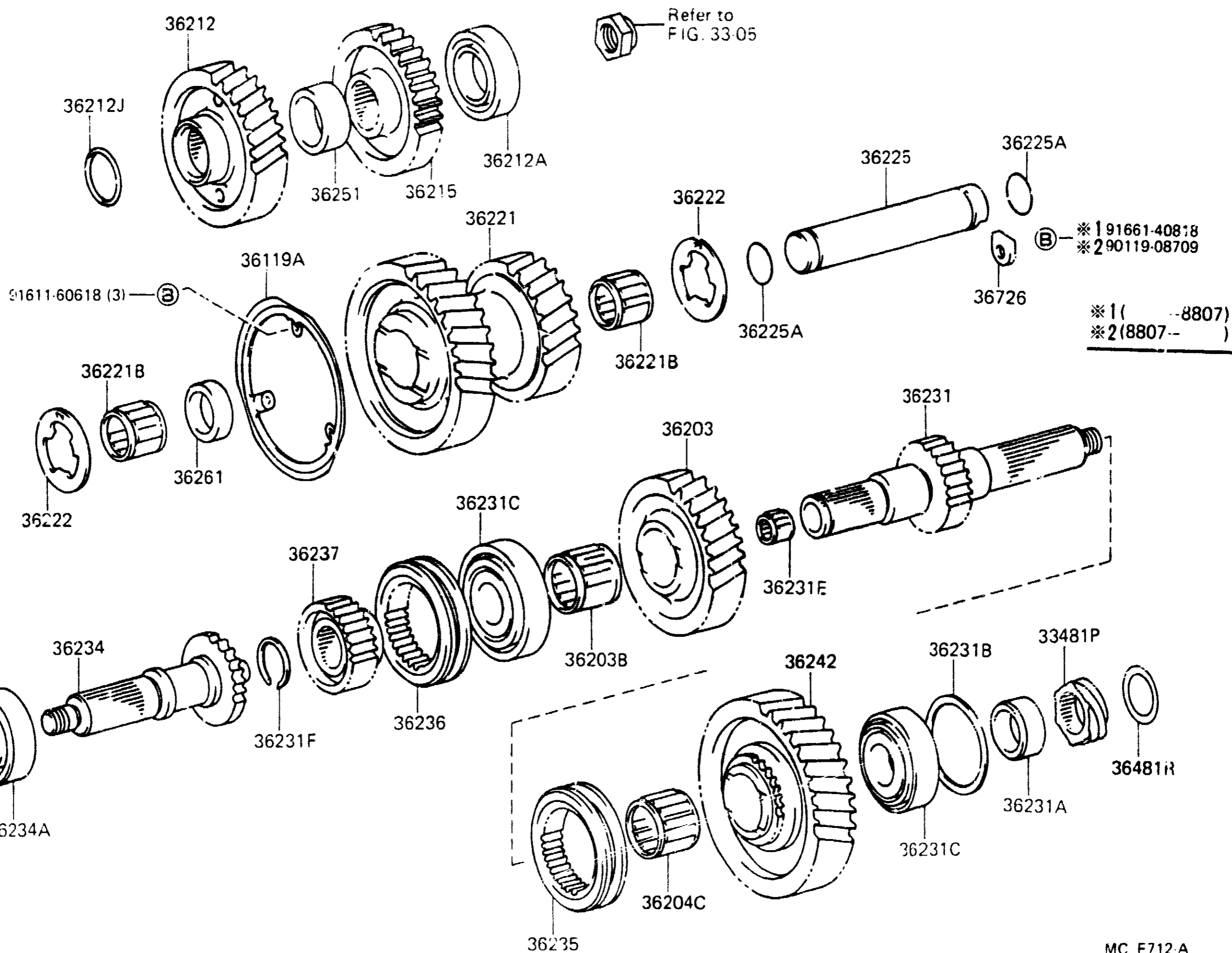
PROD. DATE	MODELS	DESCRIPTION	R / P	PART NUMBER	Q T Y.	REV. REF	
						F	T
8708-9001	FJ62	GASKET, VALVE BODY, NO.1		35433-36010-	1		
8708-9001	FJ62	GASKET, VALVE BODY, NO.2		35434-36010-	1		
8708-9001	FJ62	GASKET, VALVE BODY PLATE, NO.3		35435-36011-	1		
8708-9001	FJ62	GASKET, VALVE BODY PLATE, NO.4		35436-36011-	1		
8708-9001	FJ62	PLATE, VALVE BODY COVER		35437-36011-	1		
8708-9001	FJ62	SLEEVE, 2-3 SHIFT TIMING VALVE PLUG		35438-60020-	1		
B 8708-9001	FJ62	PIN, STRAIGHT (FOR 2-3 SHIFT TIMING VALVE PLUG SLEEVE)		90250-03051-	1		
8708-9001	FJ62	BODY ASSY, FRONT UPPER VALVE		35440-60011-	1		
8708-9001	FJ62	VALVE, INTERMEDIATE MODULATOR		35444-36010-	1		
8708-9001	FJ62	SPRING, COMPRESSION (FOR INTERMEDIATE MODULATOR VALVE)		90501-10107-	1		

FIG. 36-10 TRANSFER GEAR

2C4

791430M-01160

(8708-)



MC F712-A

MCF712A

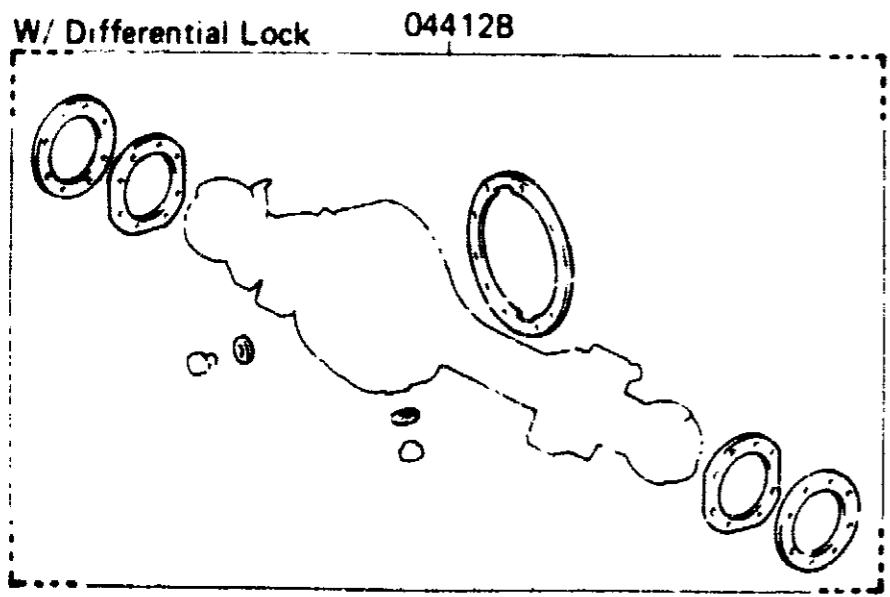
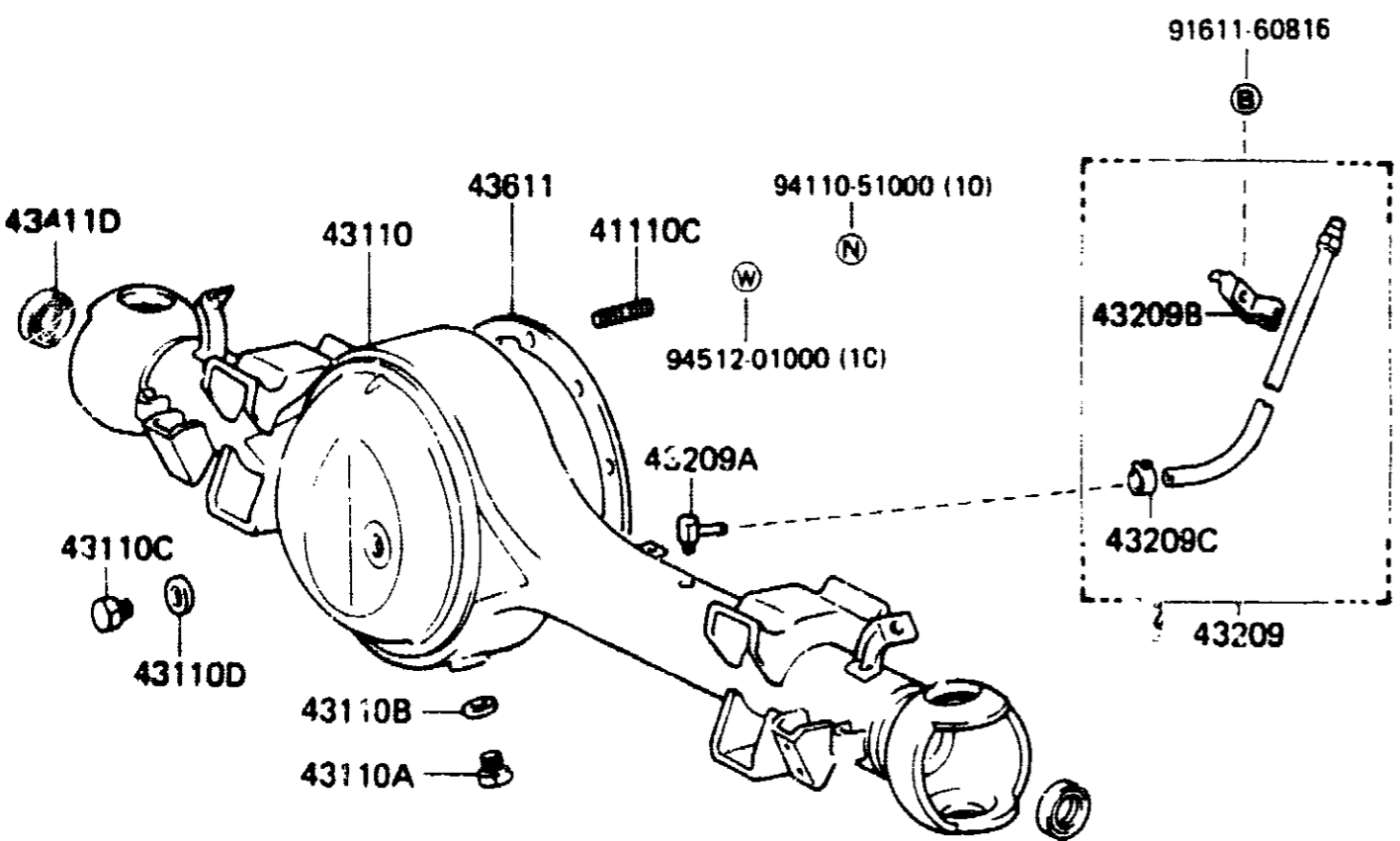
PROD. DATE	MODELS	DESCRIPTION	R / P	PART NUMBER	Q T Y.	REV. REF	
						F	T
8708-9001	FJ62	BCLT, REAR DIFFERENTIAL BEARING CAP W(DIFFERENTIAL LOC K)		41114-60010-	4		
8708-9001	FJ62			90105-12053-	4		
8708-9001	FJ62	FINAL GEAR KIT, DIFFERENTIAL, REAR *FGR=37:9		41201-69166-	1		
8708-8911	FJ62	BEARING, TAPERED ROLLER (FOR REAR DRIVE PINION REAR)		# 90366-40004- (90366-40059-)	1		
B 8911-9001	FJ62..WGG			90366-40059-	1		
P 8708-8911	FJ62	BEARING, TAPERED ROLLER (FOR REAR DRIVE PINION FRONT)		90366-30011-	1		
A 8911-8912	FJ62..WGV			∕	1		
A 8911-8912	FJ62..WGG	W(DIFFERENTIAL LOC K)		∕	1		
B 8911-9001	FJ62..WGG			90366-30038-	1		
P 8708-8911	FJ62	SEAL, OIL (FOR REAR DIFFERENTIAL CARRIER)		90311-38134-	1		
B 8911-9001	FJ62..WGG			90311-38035-	1		
8708-9001	FJ62	WASHER, PLATE (FOR REAR DIFFERENTIAL DRIVE PINION)		90201-40551-	1		
8708-9001	FJ62			90201-40552-	1		
8708-9001	FJ62			90201-40553-	1		
8708-9001	FJ62			90201-40554-	1		
8708-9001	FJ62			90201-40555-	1		

*FGR=Final Gear Ratio

PROD. DATE	MODELS	DESCRIPTION	R / P	PART NUMBER	Q T Y.	REV. REF	
						F	T
8708-9001	FJ62	WASHER, PLATE (FOR REAR DIFFERENTIAL DRIVE PINION) CONTINUED		90201-40556-	1		
8708-9001	FJ62	T=1.30		90201-40557-	1		
8708-9001	FJ62	T=1.35		90201-40558-	1		
8708-9001	FJ62	T=1.40		90201-40559-	1		
8708-9001	FJ62	T=1.45		90201-40560-	1		
8708-9001	FJ62	T=1.50		90201-40561-	1		
8708-9001	FJ62	T=1.55					
8708-9001	FJ62	FLANGE SUB-ASSY, DRIVE PINION COMPANION, REAR		41204-60030-	1		
8708-9001	FJ62	WASHER, PLATE (FOR DRIVE PINION)		90201-22007-	1		
8708-9001	FJ62	NUT (FOR DRIVE PINION)		90179-22011-	1		
8708-9001	FJ62	SPACER, REAR DIFFERENTIAL DRIVE PINION OIL		41214-26010-	1		
8708-9001	FJ62	BOLT (FOR REAR RING GEAR SET)		41226-35010-	12		
P 8708-8911	FJ62	SPACER, REAR DIFFERENTIAL DRIVE PINION BEARING		41231-60020-	1		
B 8911-9001	FJ62..WGG			41231-60030-	1		
8708-9001	FJ62	DEFLECTOR, DUST (FOR REAR DIFFERENTIAL)		41252-35010-	1		

(8708-)

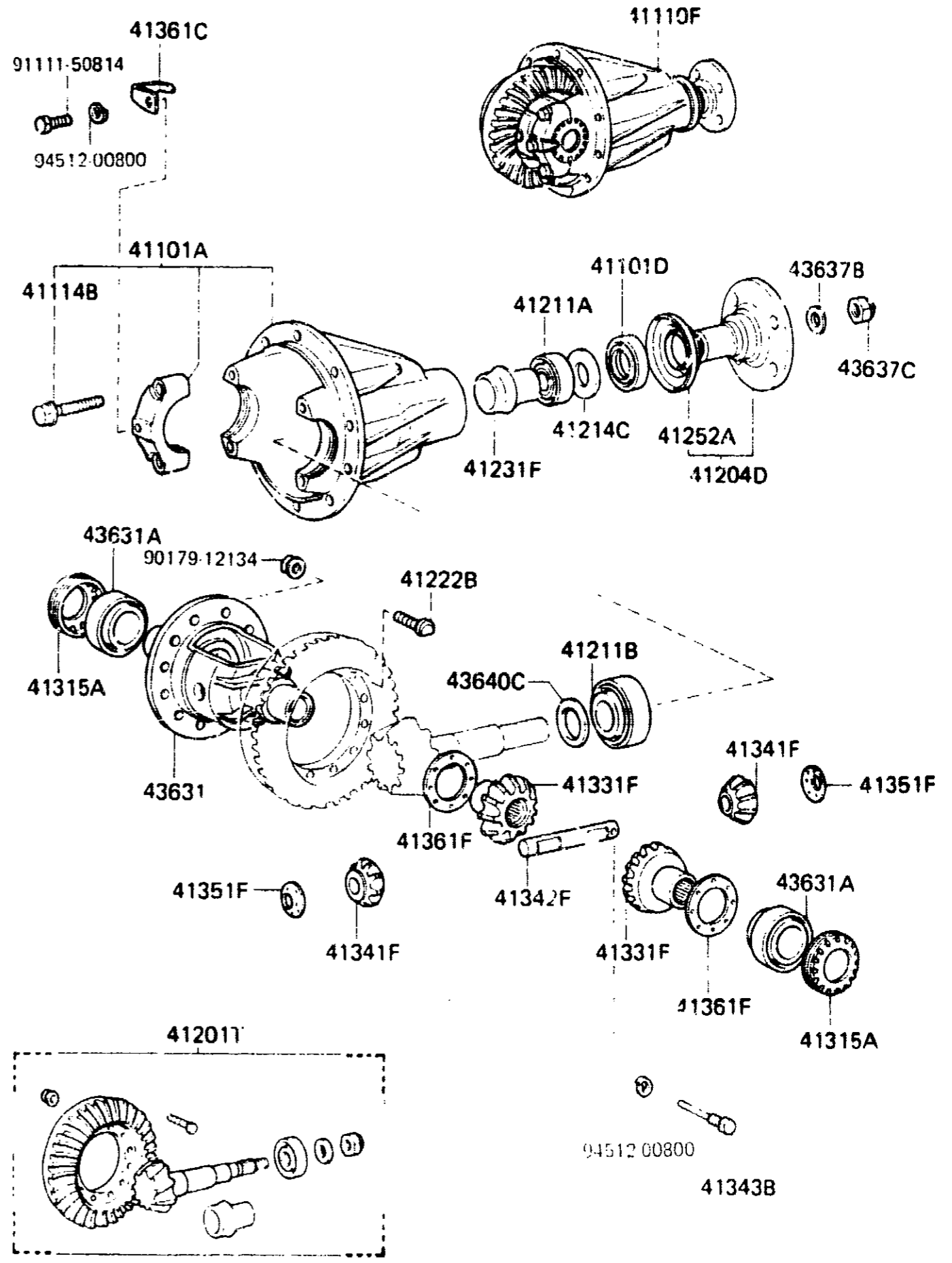
ILLUST.NO. 10F3



MC E295-F

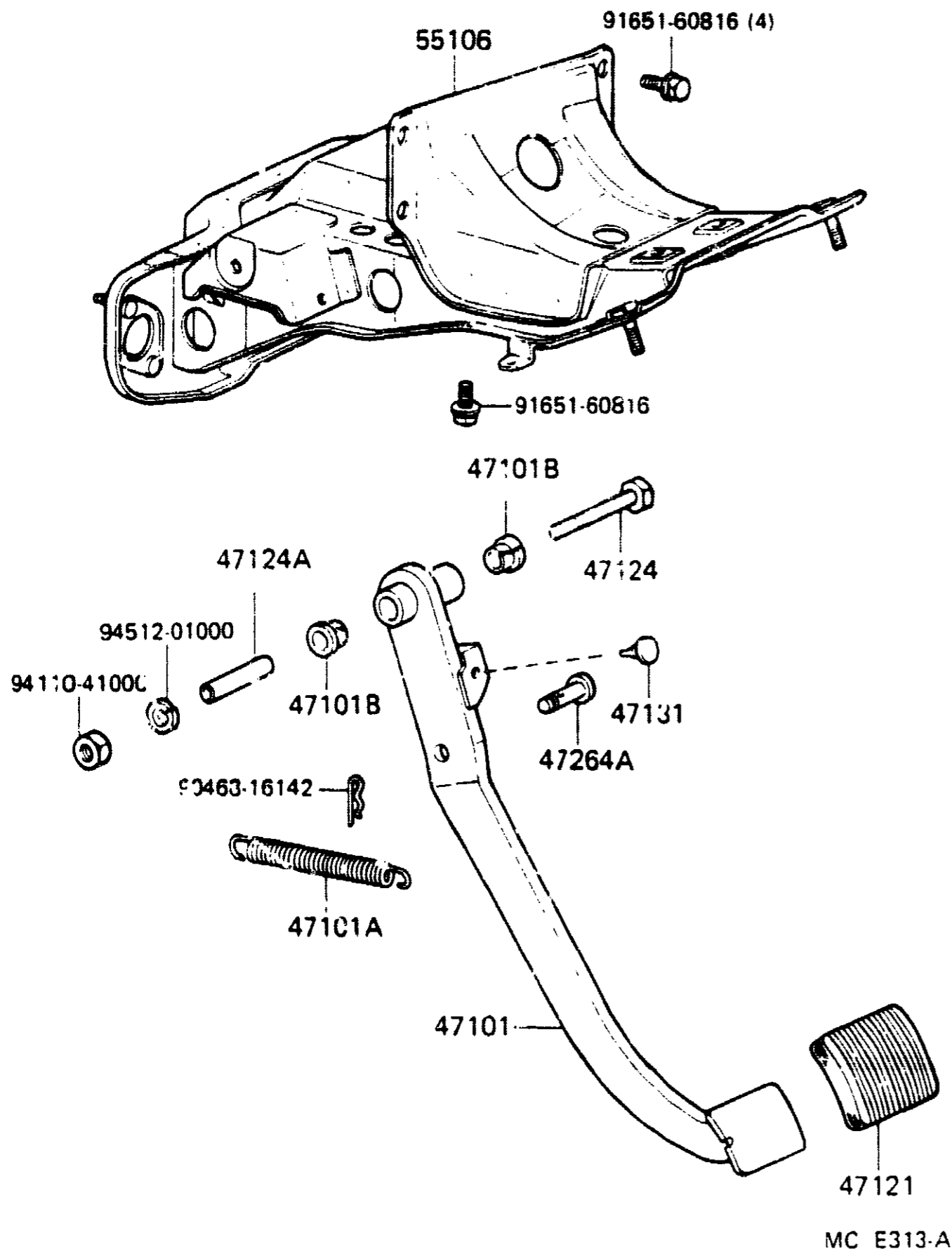
(8708-)

ILLUST.NO. 20F3



MC E296-C

(8708-)



PROD. DATE	MODELS	DESCRIPTION	R / P	PART NUMBER	QTY.	REV. REF	
						F	T
8708-9001	FJ62	1 47101 PEDAL SUB-ASSY, BRAKE		47101-60150-	1		
8708-9001	FJ62	1 47101A SPRING (FOR BRAKE PEDAL RETURN)		90506-12451-	1		
8708-9001	FJ62	1 47101B BUSH (FOR BRAKE PEDAL)		90386-13192-	2		
8709-9001	FJ62	1 47121 PAD, BRAKE PEDAL		47121-30050-	1		
8708-9001	FJ62	1 47124 SHAFT, BRAKE PEDAL		91121-51070-	1		
8708-9001	FJ62	1 47124A COLLAR (FOR BRAKE PEDAL SHAFT)		90387-10004-	1		
8708-9001	FJ62	1 47131 CUSHION (FOR STOP LAMP SWITCH)		90541-06008-	1		
8708-9001	FJ62	1 47264A PIN (FOR PUSH ROD)		90249-10017-	1		
8708-9001	FJ62	1 55106 SUPPORT SUB-ASSY, BRAKE PEDAL		55106-90A16-	1		

PROD. DATE	MODELS	DESCRIPTION	R / P	PART NUMBER	Q T Y.	REV. REF	
						F	T
8708-9001	FJ62	TUBE, FRONT BRAKE, NO.5		47315-60340-	1		
8708-9001	FJ62	TUBE, FRONT BRAKE, NO.6		47316-60310-	1		
8708-9001	FJ62	HOSE, FLEXIBLE (FOR REAR BRAKE TUBE)		96940-33805-	1		
8708-9001	FJ62	TUBE, REAR BRAKE, NO.2		47322-60490-	1		
8708-9001	FJ62	WAY, NO.2 (FOR REAR BRAKE TUBE)		90413-10106-	1		
8708-9001	FJ62	TUBE, REAR BRAKE, NO.3		47323-60041-	1		
8708-9001	FJ62	TUBE, REAR BRAKE, NO.4		47324-60021-	1		
8708-9001	FJ62	TUBE, REAR BRAKE, NO.5		47325-60100-	1		
8708-9001	FJ62	TUBE, REAR BRAKE, NO.6		47326-60110-	1		
8708-9001	FJ62	TUBE, WHEEL CYLINDER, FRONT RH NO.1		47341-60031-	1		

PROD. DATE	MODELS	DESCRIPTION	R / P	PART NUMBER	Q T Y.	REV. REF	
						F	T
8708-9001	FJ62	TUBE, WHEEL CYLINDER, FRONT LH NO.1		47343-60021-	1		
8708-9001	FJ62	BRACKET, FRONT FLEXIBLE HOSE		47354-60030-	1		
8708-9001	FJ62	BRACKET, FLEXIBLE HOSE, NO.5		47355-60030-	1		
8708-9001	FJ62	CLAMP, BRAKE TUBE, NO.1		47371-35020-	4		
8708-9001	FJ62	VALVE ASSY, LOAD SENSING PROPORTIONING		47910-60060-	1		
8708-9001	FJ62	SPRING ASSY, LOAD SENSING		47920-60020-	1		
B 8708-9001	FJ62	COLLAR (FOR LOAD SENSING SPRING)		90387-08099-	2		
8708-9001	FJ62	CLIP (FOR LOAD SENSING VALVE BOOT)		90467-31110-	1		
8708-9001	FJ62	WASHER (FOR LOAD SENSING SPRING)		90202-10103-	2		
8708-8807	FJ62	BRACKET, LOAD SENSING VALVE		# 47931-60020- (47931-60021-)	1		002
8807-9001	FJ62			47931-60021-	1		003

PART NUMBER	LOCATION	PART NUMBER	LOCATION	PART NUMBER	LOCATION	PART NUMBER	LOCATION	PART NUMBER	LOCATION	PART NUMBER	LOCATION	
B 35676-36010-	2L1	36143-60020-	2B4	41201-69166-	2C5	41451-60010-	2E5	42538-60010-	2B6	44313-12049-	2E7	
-36020-	2D2	-60030-	2B4		2E6		2G6	42540-60010-	2B6	-12050-	2E7	
-36030-	2D2	36144-60020-	2B4	41204-60030-	2C5	P 41453-60010-	2E5	42541-60010-	2B6	-22040-	2E7	
-36040-	2D2	36152-60030-	2B4		2E6	P	2G6	42550-60010-	2B6	-22050-	2E7	
-36070-	2F2	36164-60040-	2H4	41214-26010-	2C5	S	2E5	42560-60011-	2B6	-22060-	2E7	
-36080-	2F2	36212-60090-	2D4		2E6	S	2G6	42562-60010-	2B6	-22070-	2E7	
-36090-	2F2	36215-60030-	2D4	41226-35010-	2C5		2E5	A 42601-60221-	2K5	-22080-	2E7	
35701-60010-	2H2	36221-60090-	2D4		2E6		2G6	42603-35080-	2K5	44320-60090-	2E7	
35706-60011-	2E2	36222-60020-	2D4	P 41231-60020-	2C5		2E5	-60012-	2K5	44325-12010-	2E7	
35709-36010-	2E2	36225-60050-	2D4	P	2E6		2G6	-60052-	2K5	-12020-	2E7	
35712-36010-	2C2	36231-60050-	2D4	B	2C5		2F5	B 42652-60060-	2L5	-12030-	2E7	
	2L1	36234-60031-	2E4	B	2F5		2G6	43110-60144-	2H6	-12040-	2E7	
35713-36011-	2G2	36235-60020-	2E4		2C5		2F5	-60211-	2H6	-12050-	2E7	
35719-60010-	2E2	36237-60020-	2E4	41252-35010-	2C5		2G6	43204-60020-	2E9	44330-30100-	2E7	
35720-60010-	2G2	36241-60080-	2D4	P 41301-60020-	2D5		2F5	43209-60011-	2H6	-30110-	2E7	
35735-36010-	2J2	36242-60130-	2E4	P	2H6		2H6	43211-60050-	2E9	-30120-	2E7	
35737-36010-	2G2	36251-60030-	2E4	S	2D5		2F5	43212-60050-	2E9	-30130-	2E7	
35738-60010-	2H2	36303-60130-	2F4	S	2H6		2F5	43232-35010-	2E9	-30140-	2E7	
35743-60010-	2H2	36307-60040-	2F4	B	2D5		2F5	43233-60011-	2E9	-30150-	2E7	
35748-36010-	2H2	36308-60100-	2F4	B	2H6		2F5	43234-60011-	2F9	44341-12010-	2F7	
35760-60010-	2H2	36311-60041-	2F4		2D5		2F5	43235-60010-	2F9	44343-12040-	2F7	
35761-60010-	2H2	36312-60040-	2F4		2F6		2F5	43236-60010-	2F9	44345-12010-	2F7	
35762-60010-	2H2	36313-60070-	2G4		2D5		2F5	43237-60030-	2F9	-12020-	2F7	
35785-36010-	2E2	36314-60040-	2G4	B	2G6		2F5	43238-60010-	2F9	-12030-	2F7	
	2M1	36324-60050-	2G4	B	2D5		2H6	43239-60020-	2F9	-12040-	2F7	
35789-36010-	2M1	36327-60031-	2G4	B	2F6		2F5	P 43401-60012-	2F9	-12050-	2F7	
-36020-	2B2	36337-60080-	2H4		2D5		2F5	S	-60060-	2F9	44391-14010-	2F7
	2M1	36338-60030-	2G4		2F6		2G5	43405-60016-	2J6	44410-60170-	2G7	
-36040-	2F1	36343-60010-	2H4		2D5		2I5	P 43411-60020-	2J6	44416-60061-	2G7	
-36050-	2F1	-60040-	2H4		2F6		2I5	N	-60060-	2J6	44443-60050-	2G7
-36060-	2F1	36360-60220-	2G4	B	2E5		2I5	43412-35010-	2J6	44446-60020-	2G7	
-36070-	2M1	36362-60020-	2G4	B	2F6		2I5	-60050-	2J6	44605-30350-	2G8	
-36090-	2A2	36369-60030-	3M6		2D5		2I5	43422-60020-	2J6	44608-17090-	2G8	
	2B2	36409-60040-	2J4		2F6		2I5		2K6	44609-17090-	2G8	
	2H2	36410-60030-	2H4	B	2E5		2K6	43435-60011-	2F9	44610-60530-	2G8	
-36100-	2C2	36416-36010-	2H4	B	2F6		2F9	43436-60011-	2F9	44624-20810-	2G8	
-36110-	2C2	36422-36010-	2H4		2E5		2I5	43502-60020-	2K6	44628-20810-	2G8	
-36120-	2C2	36482-60100-	2J4		2F6		2I5	43509-60015-	2K6	44632-27290-	2G8	
-36130-	2C2	36486-60010-	2H4		2E5		2J5	43512-60040-	2L5	44633-20811-	2G8	
-36140-	2C2	36720-60020-	2E4		2F6		2J5	43521-60011-	2L6	44637-20810-	2G8	
35790-36010-	2H2	37110-60410-	2K4	P	2E5		2J5	43530-69017-	2L6	44645-10080-	2G8	
35791-36010-	2L1	37140-60200-	2K4	P	2F6		2J5	43531-60010-	2L6	44651-20810-	2G8	
35847-36010-	2H3	37302-36020-	2L4		2E5		2J5	43532-60010-	2L6	44673-20810-	2G8	
35893-36010-	2H3	-60050-	2L4	B	2E5		2J5	44104-22011-	2J7	44730-24020-	2G8	
35906-60050-	2B1	37305-36020-	2L4	B	2G6		2J5	44105-30060-	2J7	44758-60030-	2G8	
35921-60030-	2B1	-60010-	2L4		2E5		2A6	44107-60060-	2K7	44772-60050-	2G8	
35971-60030-	2B1	37315-36020-	2L4		2E5		2A6	44108-60010-	2K7	44773-60030-	2G8	
35972-60020-	2B1	37402-10020-	2A7		2E5		2A6	44110-60160-	2K7	44785-35020-	2G8	
35974-60030-	2B1	-36080-	2L4		2E5		2A6	44111-60040-	2K7	44786-60040-	2B9	
35975-60020-	2B1	38628-60010-	2C1		2E5		2A6	44115-30040-	2K7	45025-60020-	2M6	
-60030-	2B1	41101-60041-	2B5	B	2E5		2A6	44116-30040-	2K7	45044-69055-	2L7	
35976-60020-	2B1		2E6	B	2G6		2A6	44120-60130-	2L7	-69056-	2L7	
35989-60010-	2C1	-60080-	2B5		2E5		2A6	44142-22010-	2K7	A 45045-69045-	2L7	
36103-60160-	2A4		2E6		2G6		2A6	-22020-	2L7	S	-69046-	2L7
36110-60190-	2M3	41110-60110-	2B5		2C5		2A6	44302-14010-	2D7	P 45046-69115-	2L7	
36119-60010-	2D4		2E6		2G6		2A6	44304-60021-	2D7	N	-69116-	2L7
-60020-	2D4	-60111-	2B5		2E5		2A6	44305-30020-	2D7	P	45047-69065-	2L7
-60030-	2B4		2E6		2G6		2A6	44306-60070-	2F7	N	-69066-	2L7
36122-60040-	2B4	-60230-	2B5		2E5		2B6	44308-35030-	2D7		45081-22020-	2M6
36124-60020-	2B4		2E6		2G6		2B6	44311-60010-	2D7		45082-60010-	2M6
36128-60021-	2B4	-60231-	2B5		2E5		2B6	44312-12010-	2E7	P	45100-60140-03	2H7
36132-60020-	2B4		2E6		2G6		2B6	44313-12010-	2E7	P	-60140-06	2H7
36134-60020-	2B4	41111-60010-	2C5		2E5		2B6	-12020-	2E7		45105-60040-	2H7
36142-60030-	2B4		2E6		2G6		2B6	-12030-	2E7	P	45130-60101-03	2H7

1. MODELS COVERED & CHARACTERISTICS

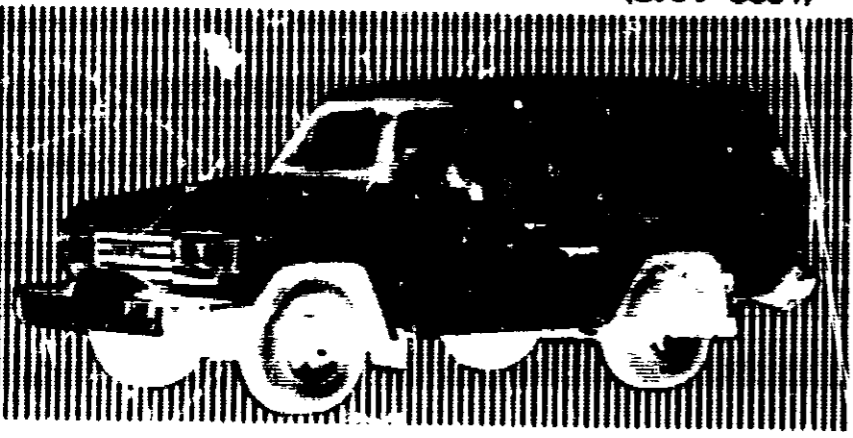
Vehicle Appearance

C15

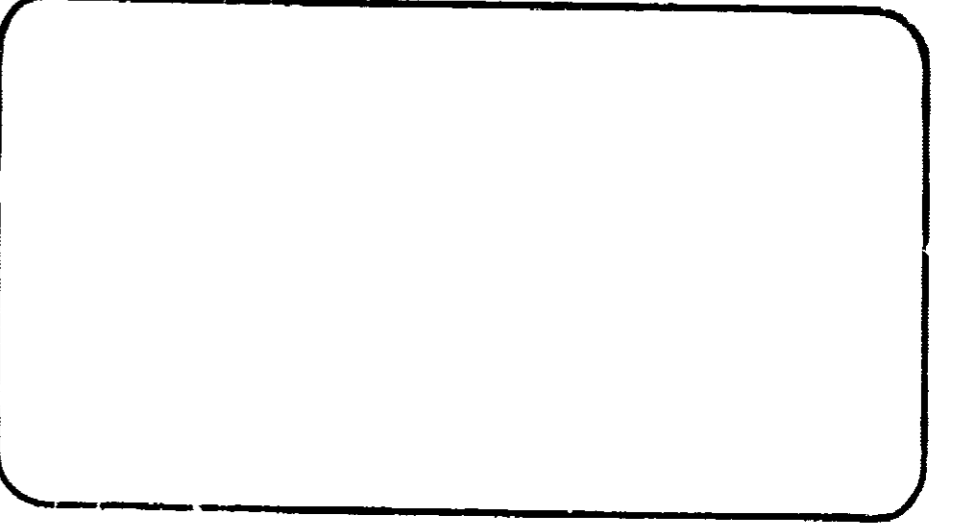
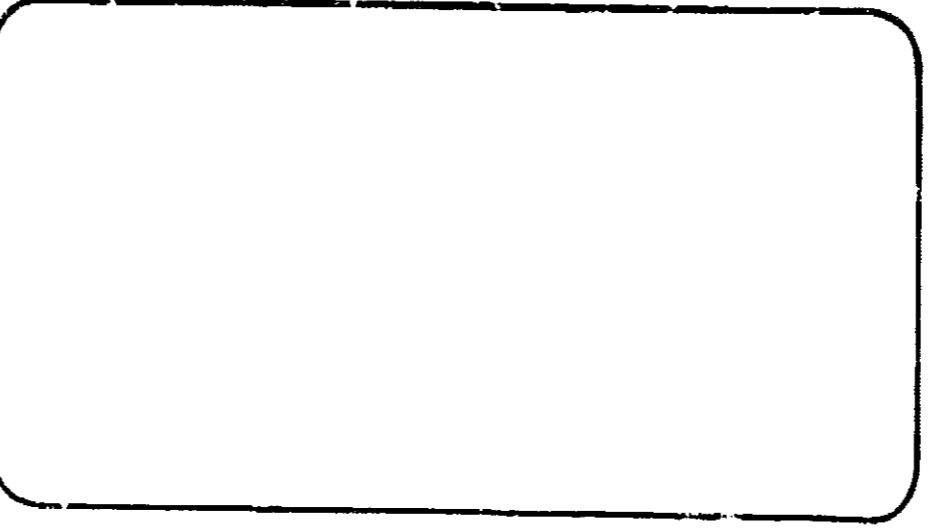
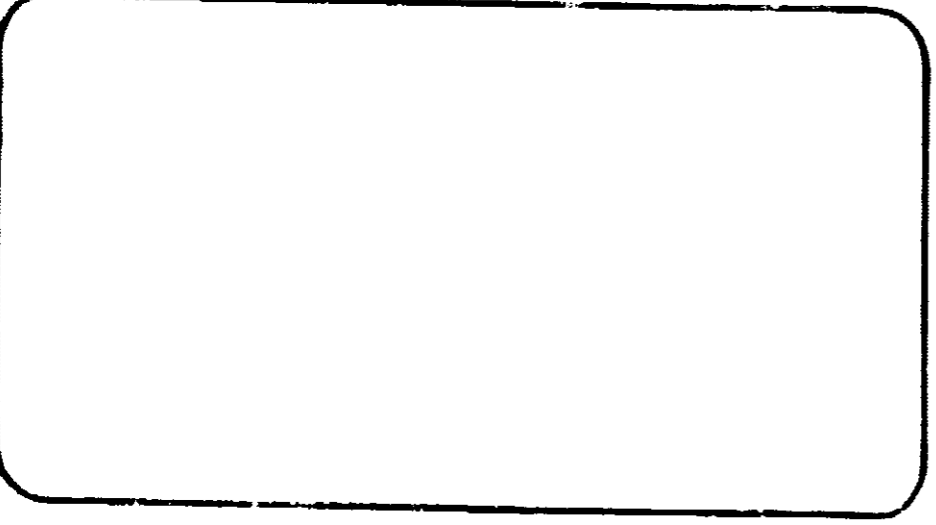
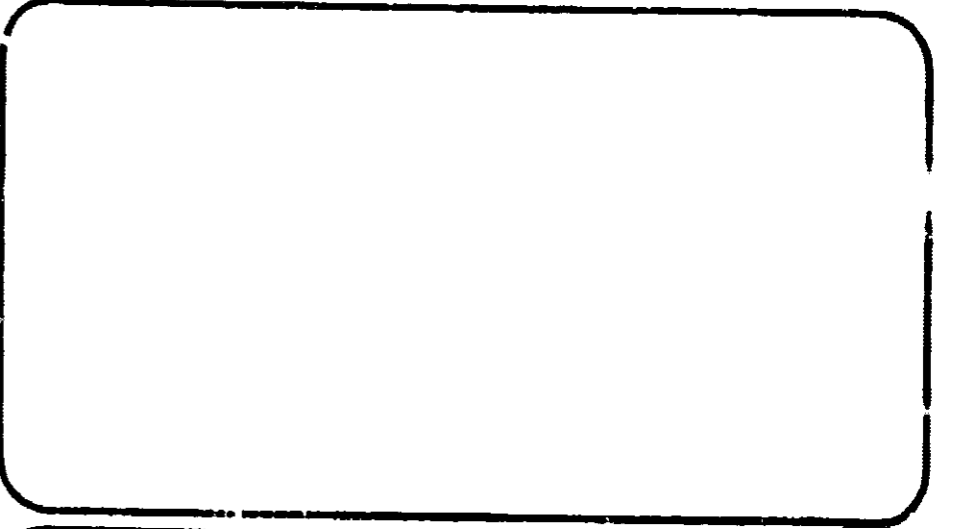
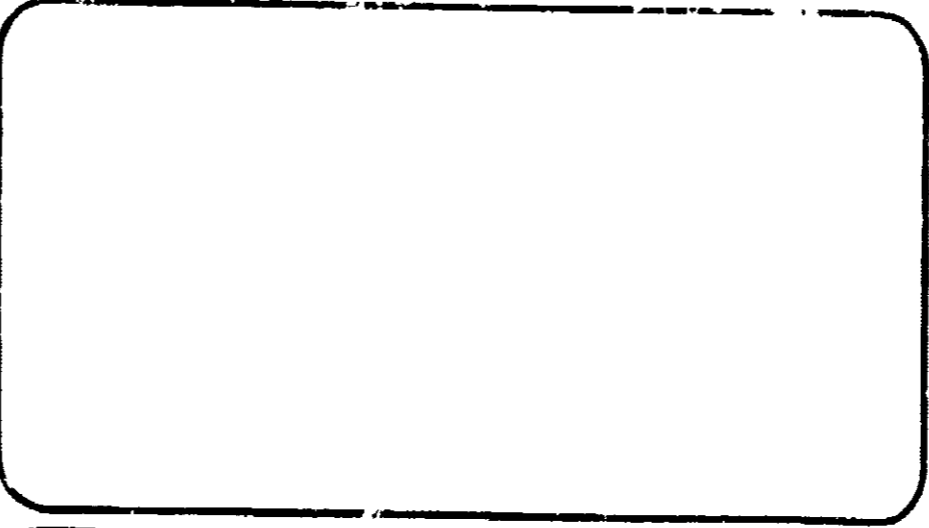
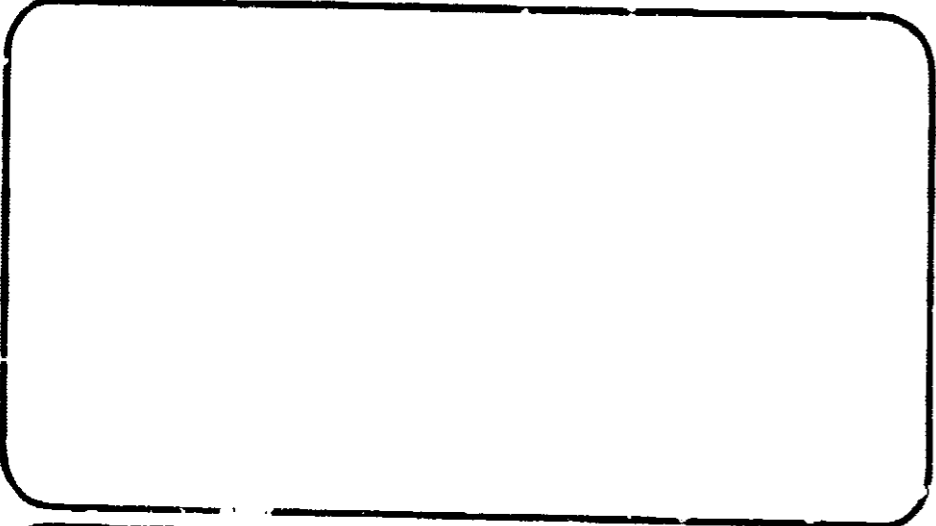
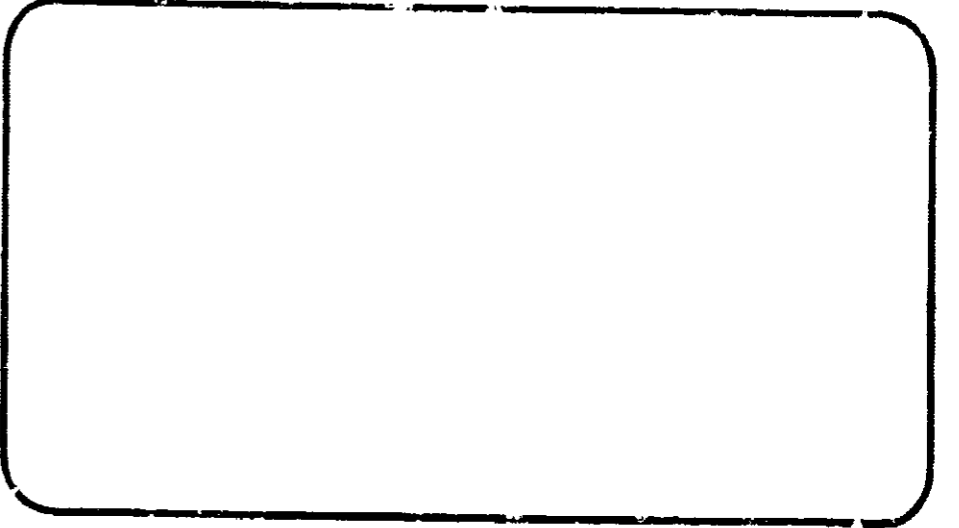
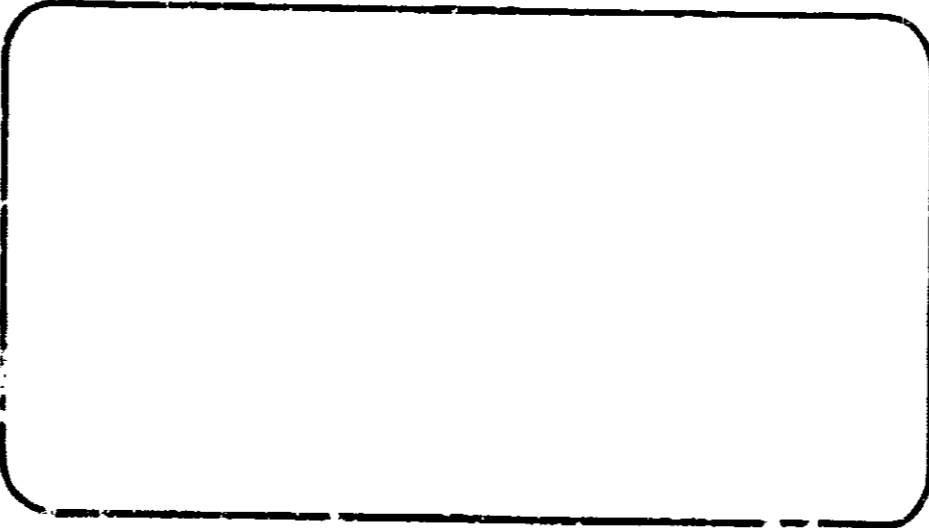
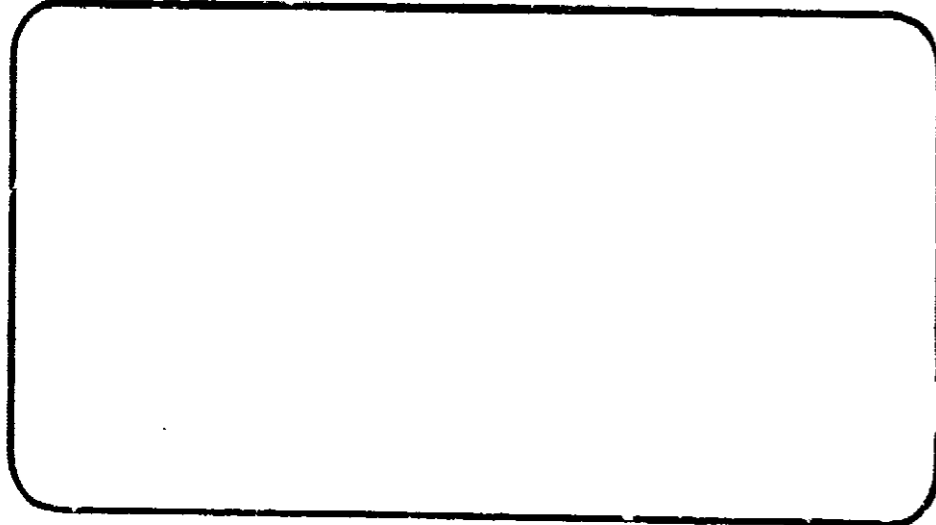
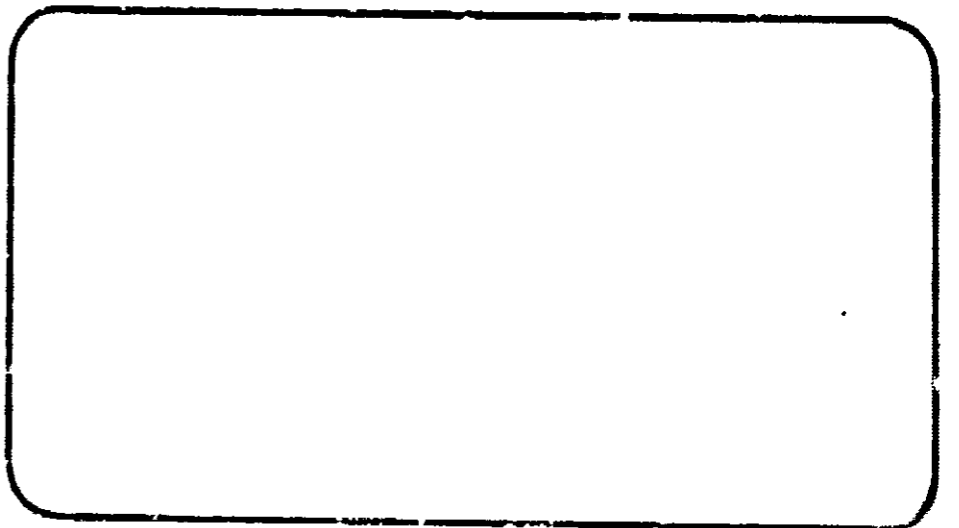
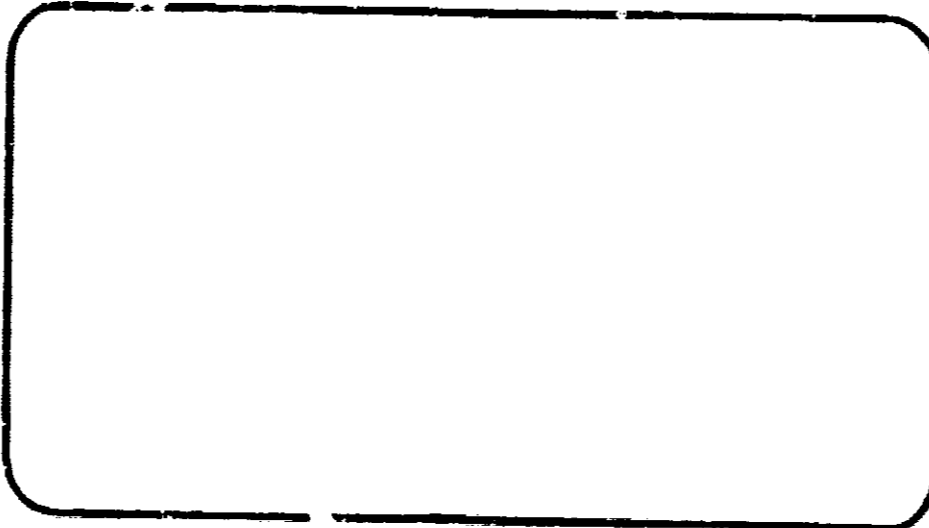
TOYOTA LAND CRUISER Station Wagon (Production from Aug. '87 up to Jan. '90)

Station Wagon

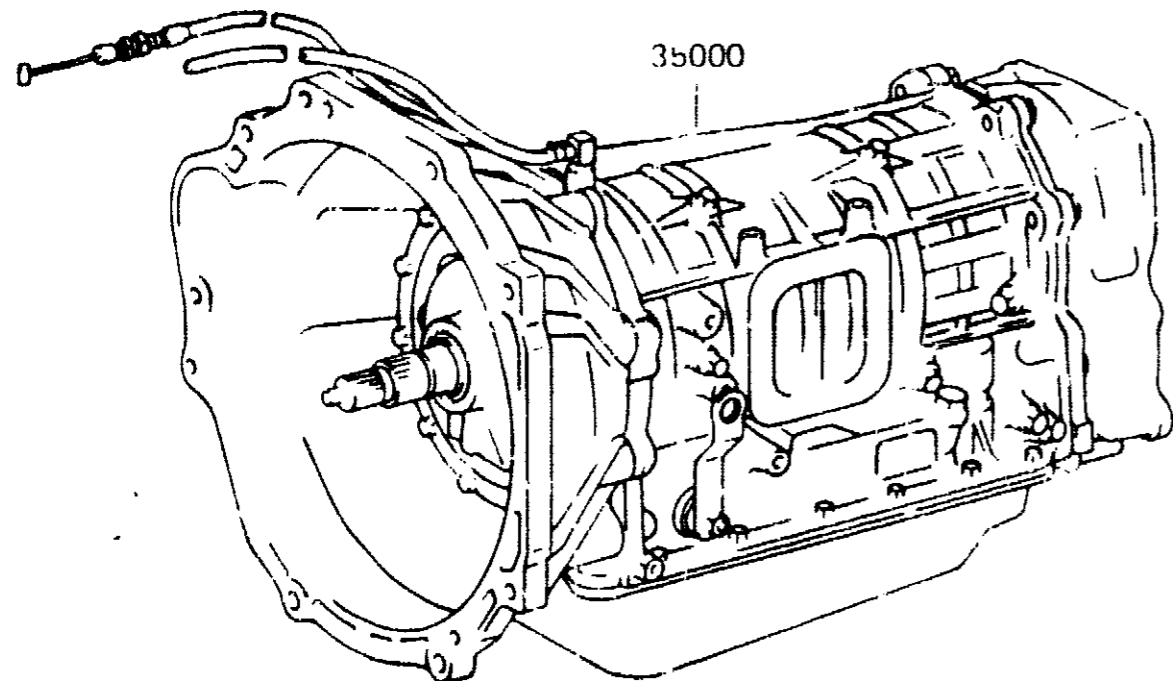
(8709-9001)



MP1985

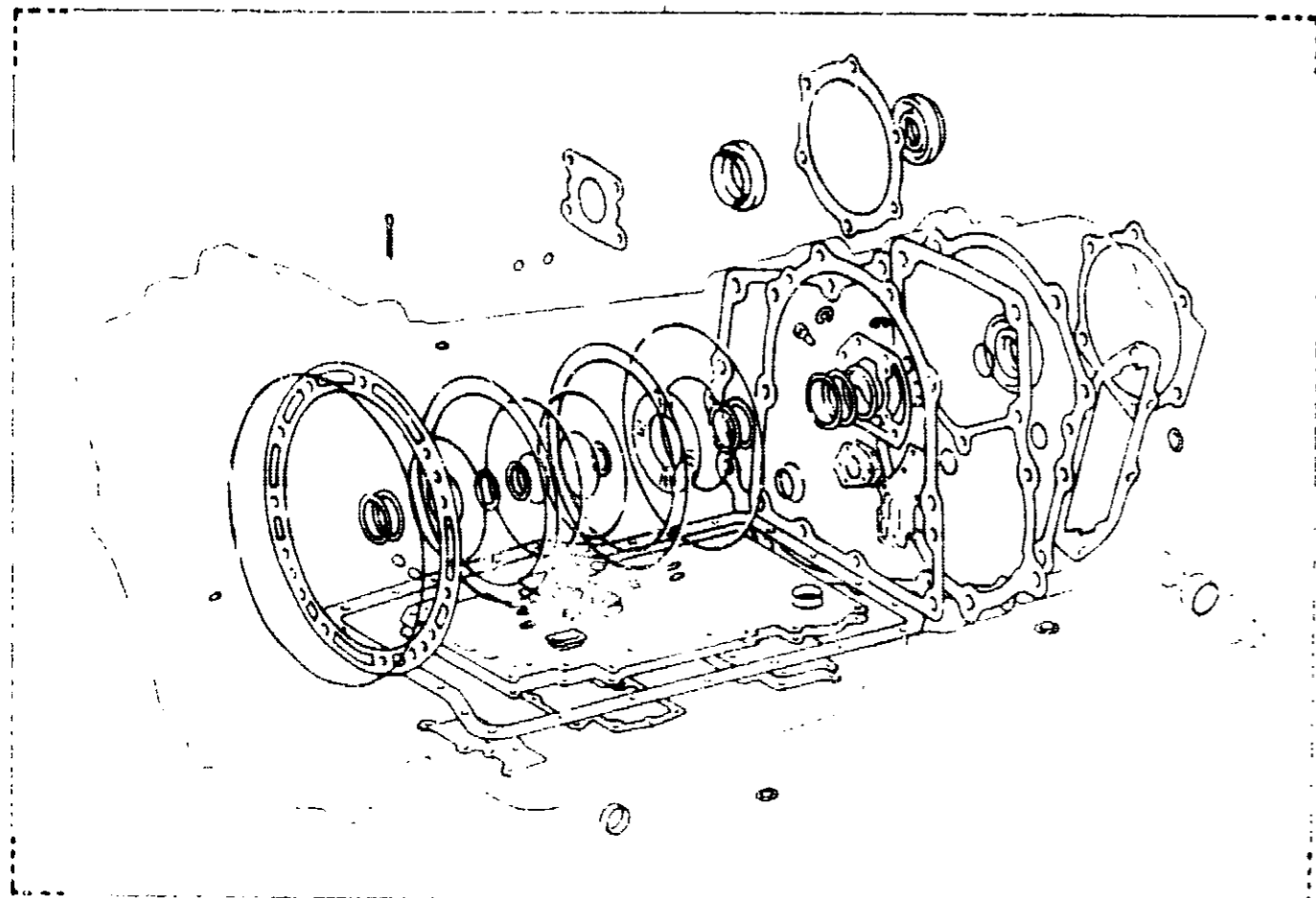


(8708-
A440F)



35000

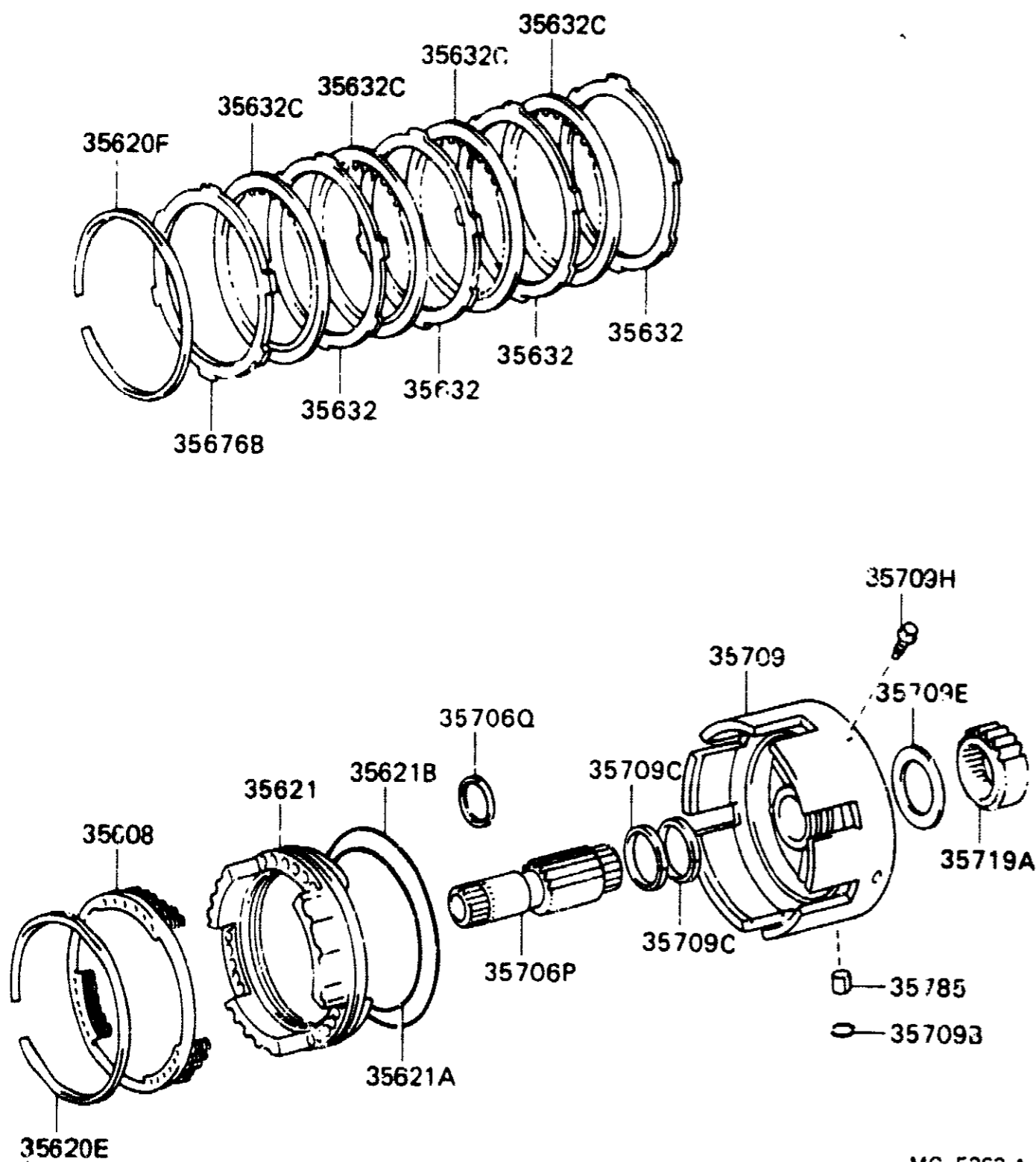
04351A



MC F089

PROD. DATE	MODELS	DESCRIPTION	R / P	PART NUMBER	Q T Y.	REV. REF	
						F	T
8708-9001	FJ62	GASKET KIT, TRANSAXLE OVERHAUL (ATM)		04351-60011-	1		
8708-8803	FJ62	TRANSMISSION ASSY, AUTOMATIC		# 35000-60162- (35000-60163-)	1		
8803-9001	FJ62			35000-60163-	1		

(8708-
A440F)



MC E262-A

PROD. DATE	MODELS	DESCRIPTION	R / P	PART NUMBER	Q T Y.	REV. REF	
						F	T
8708-9001	FJ62	35608 SPRING SUB-ASSY, 2ND BRAKE PISTON RETURN		35608-36010-	1		
8708-9001	FJ62	35620E RING, HOLE SNAP (FOR BRAKE PISTON RETURN SPRING)		90521-99021-	1		
8708-9001	FJ62	35620F RING, HOLE SNAP (FOR BRAKE NO.1 FLANGE)		90521-99021-	1		
8708-9001	FJ62	35621 PISTON, BRAKE, NO.1		35621-36010-	1		
8708-9001	FJ62	35621A RING, O (FOR BRAKE PISTON OUTER)		90301-99030-	1		
8708-9001	FJ62	35621B RING, O (FOR BRAKE PISTON INNER)		90301-99031-	1		
8708-9001	FJ62	35632 PLATE, BRAKE		35632-36010-	4		
8708-9001	FJ62	35632C DISC, CLUTCH (FOR BRAKE)		35633-36010-	4		
8708-9001	FJ62	35676B FLANGE, BRAKE, NO.1		35676-36010-	1		
8708-9001	FJ62		T=5.0	35676-36020-	1		
8708-9001	FJ62		T=5.2	35676-36030-	1		
8708-9001	FJ62		T=5.4	35676-36040-	1		
8708-9001	FJ62		T=5.6		1		

PROD. DATE	MODELS	DESCRIPTION	R / P	PART NUMBER	Q T Y.	REV. REF	
						F	T
B 8708-9001	FJ62	1 35444B KEY, STRAIGHT (FOR INTERMEDIATE MODULATOR VALVE)		90282-03006-	1		
B 8708-9001	FJ62	1 35444C PLUG (FOR INTERMEDIATE MODULATOR VALVE)		90339-04017-	1		
8708-9001	FJ62	1 35445 VALVE, LOW MODULATOR		35445-36010-	1		
8708-9001	FJ62	1 35445A SPRING, COMPRESSION (FOR LOW MODULATOR VALVE)		90501-08095-	1		
8708-9001	FJ62	1 35445F KEY, STRAIGHT (FOR LOW MODULATOR VALVE)		90282-03007-	1		
8708-9001	FJ62	1 35445G PLUG (FOR LOW MODULATOR VALVE)		90339-04009-	1		
8708-9001	FJ62	1 35451A PIN, STRAIGHT (FOR THROTTLE VALVE SLEEVE)		90250-03036-	2		
8708-9001	FJ62	1 35451C SLEEVE, THROTTLE VALVE, NO.1		35451-36010-	1		
8708-9001	FJ62	1 35452A PLUG (FOR 2-3 SHIFT VALVE PLUG)		90339-05008-	1		
8708-9001	FJ62	1 35452B PIN, STRAIGHT (FOR 2-3 SHIFT VALVE PLUG)		90250-02016-	1		

PROD. DATE	MODELS	DESCRIPTION	R / P	PART NUMBER	Q T Y.	REV. REF	
						F	T
8708-9001	FJ62	1 35452F PLUG, 2-3 SHIFT VALVE		35452-36010-	1		
8708-9001	FJ62	1 35453 VALVE, DETENT REGULATOR		35445-36010-	1		
8708-9001	FJ62	1 35453A SPRING, COMPRESSION (FOR DETENT REGULATOR VALVE)		90501-09056-	1		
8708-9001	FJ62	1 35453B KEY, STRAIGHT (FOR DETENT REGULATOR VALVE)		90282-03006-	1		
8708-9001	FJ62	1 35453C PLUG (FOR DETENT REGULATOR VALVE)		90339-04015-	1		
8708-9001	FJ62	1 35454 VALVE, LOW COAST SHIFT		35454-36010-	1		
8708-9001	FJ62	1 35454A KEY, STRAIGHT (FOR LOW COAST SHIFT VALVE)		90282-03006-	1		
8708-9001	FJ62	1 35454B PLUG (FOR LOW COAST SHIFT VALVE)		90339-06004-	1		
8708-9001	FJ62	1 35455 PLUG, 1-2 SHIFT VALVE LOW		35455-36010-	1		
8708-9001	FJ62	1 35455A PLUG (FOR 1-2 SHIFT VALVE LOW PLUG)		90339-06009-	1		

PROD. DATE	MODELS	DESCRIPTION	R / P	PART NUMBER	QTY.	REV. REF.	
						F	T
8708-8709	FJ62	GEAR, SPEEDOMETER DRIVE (FOR TRANSFER)		# 33481-60050- (33481-60051-)	1		
8709-9001	FJ62			33481-60051-	1		
8708-9001	FJ62	RECEIVER, TRANSFER OIL (FOR TRANSFER IDLER GEAR)		36119-60020-	1		
8708-9001	FJ62	GEAR SUB-ASSY, TRANSFER HIGH SPEED OUTPUT		36241-60080-	1		
8708-9001	FJ62	BEARING (FOR TRANSFER HIGH SPEED OUTPUT GEAR)		90364-40001-	1		
8708-9001	FJ62	BEARING, NEEDLE ROLLER (FOR TRANSFER LOW GEAR)		90364-40001-	1		
8708-9001	FJ62	GEAR, TRANSFER INPUT		36212-60090-	1		
8708-9001	FJ62	BEARING, RADIAL BALL (FOR TRANSFER INPUT GEAR)		90363-35013-	1		
8708-9001	FJ62	RING, O (FOR TRANSFER INPUT GEAR)		90301-34005-	1		
8708-9001	FJ62	GEAR, POWER TAKE-OFF DRIVE		36215-60030-	1		
8708-9001	FJ62	GEAR, TRANSFER IDLER		36221-60090-	1		

PROD. DATE	MODELS	DESCRIPTION	R / P	PART NUMBER	QTY.	REV. REF.	
						F	T
8708-9001	FJ62	BEARING (FOR TRANSFER IDLER GEAR)		90364-38012-	2		
8708-9001	FJ62	WASHER, TRANSFER IDLER GEAR SIDE THRUST		36222-60020-	2		
8708-9001	FJ62	SHAFT, TRANSFER IDLER GEAR		36225-60050-	1		
8708-9001	FJ62	RING, O (FOR TRANSFER IDLER SHAFT)		90301-34004-	2		
8708-9001	FJ62	SHAFT, TRANSFER OUTPUT, REAR		36231-60050-	1		
8708-9001	FJ62	SPACER (FOR TRANSFER OUTPUT SHAFT)		90560-35008-	1		
8708-9001	FJ62	SHIM (FOR TRANSFER OUTPUT SHAFT)		90564-70001-	X		
8708-9001	FJ62			90564-70002-	1		
8708-9001	FJ62			90564-70003-	1		
8708-9001	FJ62			90564-70004-	1		
8708-9001	FJ62			90564-70005-	1		
8708-9001	FJ62			90564-70006-	1		
8708-9001	FJ62			90564-70007-	1		
8708-9001	FJ62			90564-70008-	1		
8708-9001	FJ62			90564-70009-	1		
8708-9001	FJ62			90564-70010-	1		

PROD. DATE	MODELS	DESCRIPTION	R / P	PART NUMBER	Q T Y.	REV. REF	
						F	T
		1 41301A BEARING, TAPERED ROLLER (FOR REAR DIFFERENTIAL CASE)					
P 8708-8911	FJ62			90368-45066-	2		
8708-9001	FJ62	W(DIFFERENTIAL LOCK)		90366-60002-	2		
B 8911-9001	FJ62..WGG			90368-50024-	2		
		1 41301B WASHER (FOR REAR DIFFERENTIAL TAPERED ROLLER BEARING)					
8708-9001	FJ62	T=2.67, MARK 01		90201-79001-	X		
8708-9001	FJ62	T=2.70, MARK 02		90201-79002-	X		
8708-9001	FJ62	T=2.73, MARK 03		90201-79003-	X		
8708-9001	FJ62	T=2.76, MARK 04		90201-79004-	X		
8708-9001	FJ62	T=2.79, MARK 05		90201-79005-	X		
8708-9001	FJ62	T=2.82 MARK 06		90201-79006-	X		
8708-9001	FJ62	T=2.85 MARK 07		90201-79007-	X		
8708-9001	FJ62	T=2.88 MARK 08		90201-79008-	X		
8708-9001	FJ62	T=2.91 MARK 09		90201-79009-	X		
8708-9001	FJ62	T=2.94 MARK 10		90201-79010-	X		
8708-9001	FJ62	T=2.97 MARK 11		90201-79011-	X		
8708-9001	FJ62	T=3.00 MARK 12		90201-79012-	X		
8708-9001	FJ62	T=3.03 MARK 13		90201-79013-	X		
8708-9001	FJ62	T=3.06 MARK 14		90201-79014-	X		
8708-9001	FJ62	T=3.09 MARK 15		90201-79015-	X		
8708-9001	FJ62	T=3.12 MARK 16		90201-79016-	X		
8708-9001	FJ62	T=3.15 MARK 17		90201-79017-	X		
8708-9001	FJ62	T=3.18 MARK 18		90201-79018-	X		
8708-9001	FJ62	T=3.21 MARK 19		90201-79019-	X		
8708-9001	FJ62	T=3.24 MARK 20		90201-79020-	X		

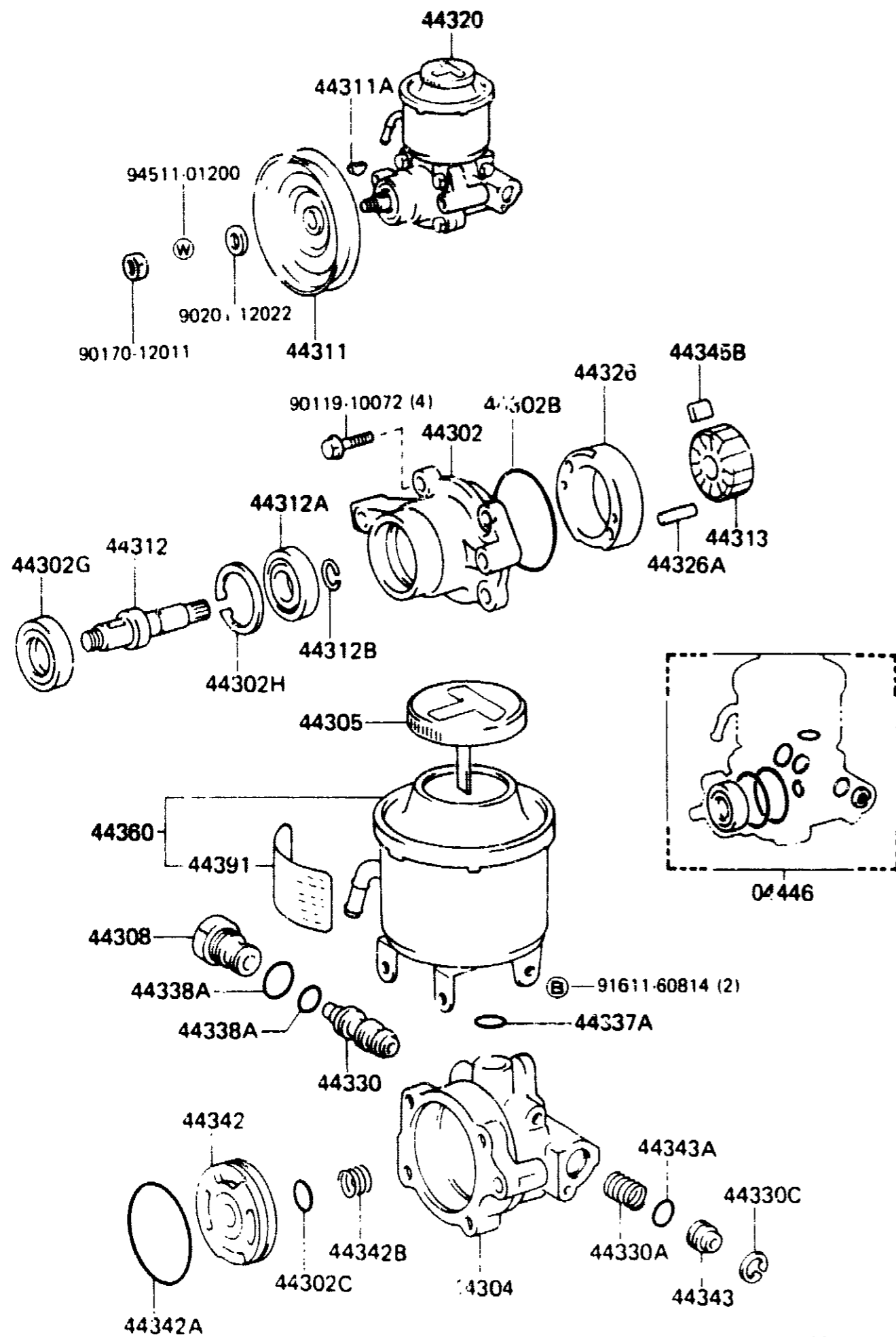
PROD. DATE	MODELS	DESCRIPTION	R / P	PART NUMBER	Q T Y.	REV. REF	
						F	T
		1 41301B WASHER (FOR REAR DIFFERENTIAL TAPERED ROLLER BEARING)					
8708-9001	FJ62	T=3.27 MARK 21		90201-79021-	X		
8708-9001	FJ62	T=3.30 MARK 22		90201-79022-	X		
8708-9001	FJ62	T=3.33 MARK 23		90201-79023-	X		
		1 41302 CASE SUB-ASSY, DIFFERENTIAL					
P 8708-8912	FJ62	W(DIFFERENTIAL LOCK)		41301-60020-	1		
8708-8911	FJ62			41311-36010-			
B 8911-9001	FJ62..WGG			41311-60070-	1		
S 8912-9001	FJ62..WGG	W(DIFFERENTIAL LOCK)		41301-60021-	1		
		1 41302A BOLT (FOR DIFFERENTIAL CASE)					
8708-9001	FJ62	W(DIFFERENTIAL LOCK)		90109-10091-	10		
		1 41315 NUT, REAR DIFFERENTIAL BEARING ADJUSTING					
8708-9001	FJ62			41315-30010-	2		
		1 41316 LOCK, REAR DIFFERENTIAL BEARING ADJUSTING NUT					
8708-9001	FJ62			41316-30010-	1		
		1 41331 GEAR, REAR DIFFERENTIAL SIDE					
8708-8808	FJ62			41331-35020-	2		
8708-9001	FJ62	W(DIFFERENTIAL LOCK)		41331-60020-	2		
B 8808-9001	FJ62..WGG			41331-25010-	2		
		1 41341 PINION, REAR DIFFERENTIAL					
8708-8808	FJ62			41341-55012-	2		
8708-9001	FJ62	W(DIFFERENTIAL LOCK)			4		

FIG. 45-02 VANE PUMP & RESERVOIR (POWER STEERING PUMP)

207

791430H-01200

(8708-)



MC E303

MC E303

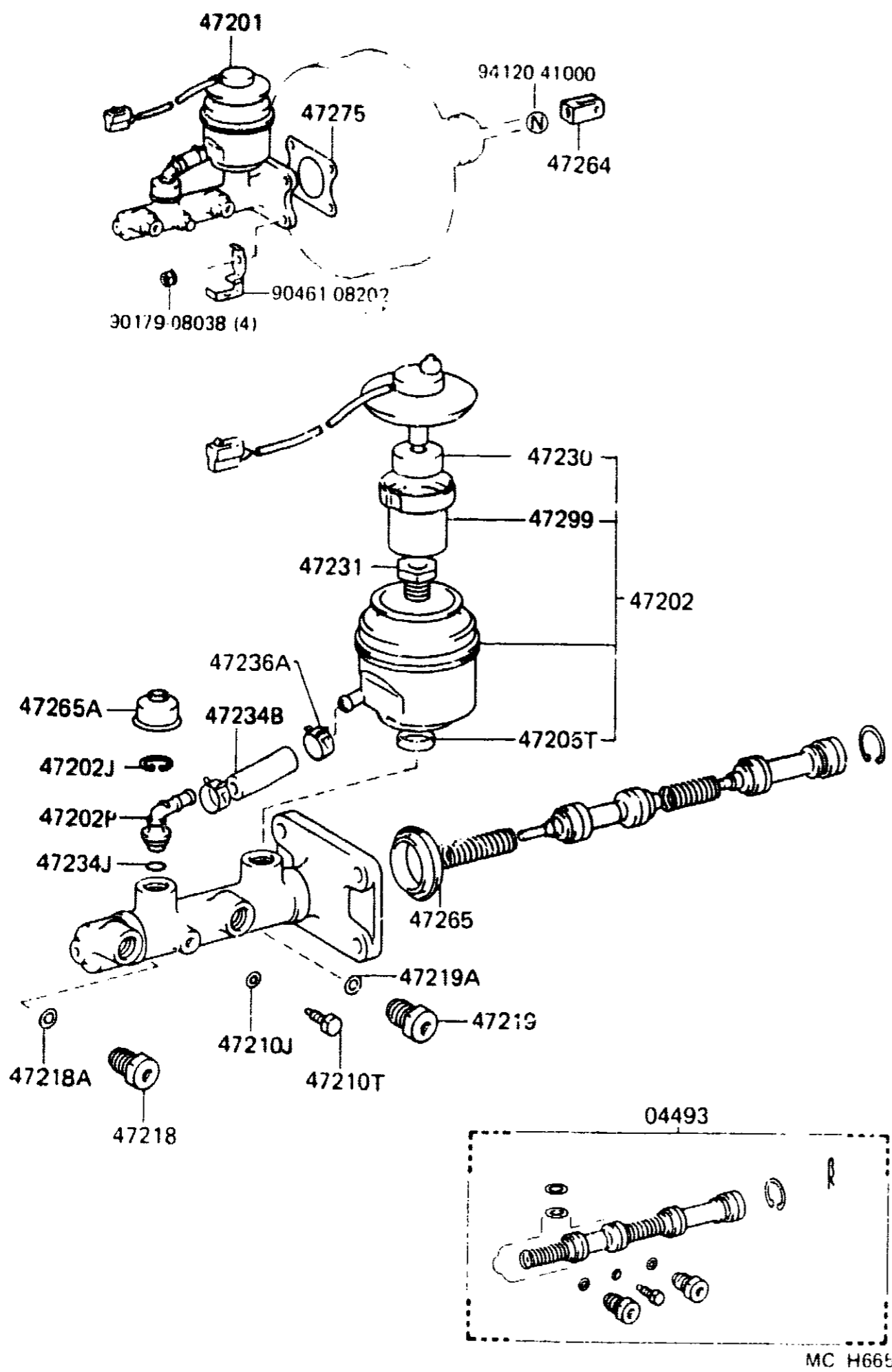
PROD. DATE	MODELS	DESCRIPTION	R / P	PART NUMBER	QTY.	REV. REF.	
						F	T
		04446 GASKET KIT, POWER STEERING PUMP					
8708-8804	FJ62			# 04446-35010- (04446-30030-)	1		
8804-9001	FJ62			04446-30030-	1		
		44302 HOUSING SUB-ASSY, VANE PUMP, FRONT					
8708-9001	FJ62			44302-14010-	1		
		44302B RING, O (FOR VANE PUMP HOUSING)					
8708-9001	FJ62			90301-60001-	1		
		44302C RING, O (FOR PUMP HOUSING)					
8708-9001	FJ62	OD=19.6, ID=15.8		96711-19016-	1		
		44302G SEAL, TYPE T OIL (FOR VANE PUMP HOUSING)					
8708-9001	FJ62			90311-24001-	1		
		44302H RING, HOLE SNAP (FOR VANE PUMP HOUSING OIL SEAL)					
8708-9001	FJ62			90521-44002-	1		
		44304 HOUSING SUB-ASSY, VANE PUMP, REAR					
8708-9001	FJ62			44304-60021-	1		
		44305 CAP SUB-ASSY, VANE PUMP OIL RESERVOIR					
8708-9001	FJ62			44305-30020-	1		
		44308 UNION SUB-ASSY, PRESSURE PORT					
8708-9001	FJ62			44308-35030-	1		
		44311 PULLEY, VANE PUMP					
8708-9001	FJ62			44311-60010-	1		

FIG. 47-02 BRAKE MASTER CYLINDER

2D8

791430M-01213

(8708-)



PROD. DATE	MODELS	DESCRIPTION	R / P	PART NUMBER	Q T Y.	REV. REF	
						F	T
8708-9001	FJ62	04493 CYLINDER KIT, BRAKE MASTER		04493-60160-	1		
8708-9001	FJ62	47201 CYLINDER SUB-ASSY, BRAKE MASTER		47201-60340-	1		
8708-9001	FJ62	47202 RESERVOIR SUB-ASSY, BRAKE MASTER CYLINDER		47202-60090	1		
8708-9001	FJ62	47202J RING, SNAP (FOR BRAKE MASTER CYLINDER SIDE)		96151-02000-	1		
8708-9001	FJ62	47202P UNION, RESERVOIR (FOR BRAKE MASTER CYLINDER SIDE)		90407-10004-	1		
8708-9001	FJ62	47205T RING (FOR BRAKE MASTER CYLINDER RESERVOIR, NO.2)		90562-18151-	1		
8708-9001	FJ62	47210J GASKET (FOR MASTER CYLINDER)		90430-06104-	1		
8708-9001	FJ62	47210T BOLT (FOR BRAKE MASTER CYLINDER)		90109-06008-	1		
B 8708-9001	FJ62	47218 PLUG, MASTER CYLINDER FLUID OUTLET		47218-12040-	1		
8708-9001	FJ62	47218A GASKET (FOR FLUID OUTLET PLUG)		90430-09253-	1		

PART NUMBER	LOCATION	PART NUMBER	LOCATION	PART NUMBER	LOCATION	PART NUMBER	LOCATION	PART NUMBER	LOCATION	PART NUMBER	LOCATION	PART NUMBER	LOCATION
P 45130-60101-06	2H7	P 46243-60030-01	2A8	47730-60021-	2H8	48247-60660-	2M9	52142-60040-	3G1	55344-90A01-	3C2		
45142-12050-	2H7	P -60030-16	2A8	47731-30020-	2H8	48252-26070-	219	52151-60041-	3H1	55351-90A01-	3C2		
45155-12030-	2H7	46341-31010-	2A8	47732-30010-	2H8		2M9	52153-60060-	3H1	55357-90A00-	3C2		
45176-20030-	2H7	46410-60101-	2A8	47744-60010-	218	A 48253-15010-	2M9	52154-60010-	3H1	55366-90A02-	3C2		
45180-60021-	2H7	46443-12020-	2B8	47730-60021-	218	48304-60031-	219	52172-60020-	3H1	55368-90A03-	3C2		
45210-22050-	2A7	46451-60030-	2B8	47786-60020-	218	48306-60030-	2M9	52201-25020-	3E1	55374-90A01-	3C2		
45215-22011-	2A7	46458-30020-	2B8	47787-60020-	218	48371-60050-	2M9	-35021-	3E1	55401-90A05-03	3C2		
45220-60050-	2A7	46469-60020-	2B8	47910-60060-	2C9	48372-23030-	2M9	52202-25020-	3E1	-90A05-05	3C2		
45222-60031-	2A7	P 47043-60050-	2J8	47920-60020-	2C9	48401-60020-	219	-35021-	3E1	-90A07-03	3C2		
45244-60020-	2A7	B -60090-	2J8	47931-60020-	2C9	48412-60021-	219	52203-60030-	3E1	-90A07-05	3C2		
45254-60030-	2A7	P 47044-60010-	2J8	-60021-	2C9	48413-60032-	219		3F1	55410-90G28-	3C2		
45255-60010-	2A7	B -60040-	2J8	47933-60020-	2D9	48414-60042-	2M9	52207-60010-	3E1	P 55412-90A10-03	3C2		
45260-60080-	2A7	47061-60011-	2K8	47935-35010-	2D9	48415-60042-	2M9	52208-60010-	3E1	P -90A10-05	3C2		
45280-60260-	2A7	47062-60011-	2K8	47936-35010-	2D9	48416-60030-	2M9	53111-90A06-	3I1	55416-90A01-	3C2		
45282-22010-	2A7	47101-60150-	2C8	47937-60010-	2D9	48475-60020-	219	-90A09-	3I1	P 55446-90A02-06	3C2		
P 45286-60130-03	2A7	47121-30050-	2C8	48046-60052-	2L9	48511-69095-	219	53131-90A09-	3I1	P -90A02-13	3C2		
P -60130-16	2A7	47201-60340-	2D8	48047-60052-	219	48512-60031-	219	-90A10-	3I1	55458-90A00-	3C2		
P 45287-60090-03	2A7	47202-60090-	2D8	48048-60021-	2M9	48531-69105-	2M9	53132-90A09-	3I1	55477-87001-	3C2		
P -60090-16	2A7	B 47218-12040-	2D8	48049-60021-	2M9	48541-69025-	2A10	-90A10-	3I1	55499-60010-	2B1		
45289-22020-	2A7	B	2E8	48102-60410-	2M9	48802-60020-	2A10	53202-90A04-	3A2	F 55501-90A00-06	3D2		
45292-60030-	2A7	47231-20010-	2E8	48103-60410-	219	48811-60070-	2J9	53203-90A05-	3A2	P -90A00-23	3D2		
B 45357-22010-	2L7	47234-14010-	2E8	-60411-	219	48812-60040-	2A10	53207-90A00-	1G3	55505-90A00-	3D2		
45411-60090-	2L7	47264-30040-	2E8	48110-60410-	2M9	48815-20060-	2J9	53216-90A03-	3A2	55517-14010-	3D2		
45450-69055-	2L7	47265-20050-	2E8	-60411-	219	-30050-	2A10	53217-90A03-	3A2	P 55521-14050-01	3D2		
45457-60010-	2L7	-20060-	2E8	-60411-	2M9	48817-30010-	2J9	-90A05-	3A2	55538-22010-	3D2		
A 45458-60010-	2L7	47275-22010-	2E8	48111-60410-	2M9	48823-27010-	2A10	53292-90A00-	3A2	P 55539-20020-13	3E3		
45460-69105-	2M7	47299-14010-	2E8	48112-60410-	2M9	48825-60010-	2J9	53301-90A01-	3J1	P -20020-26	3E3		
45466-36010-	2M7	47312-60610-	2B9	48114-60410-	219	-60031-	2A10	53341-90A00-	3J1	-32010-01	3D2		
-55020-	2L7	47313-60180-	2B9	-60411-	219	51002-60432-	3A1	53381-90A00-	3J1	P 55545-90A01-03	3D2		
45473-35010-	2M7	47314-60180-	2B9	-60411-	219	51172-60010-	3C1	53382-30060-	3J1	P -90A01-06	3D2		
45475-35010-	2M7	47315-60340-	2C9	48147-60410-	219	51201-60080-	3A1	-90K01-	3J1	55547-90A00-	3D2		
45611-60040-	2M7	47316-60310-	2C9	48202-60650-	2L9			53383-90A00-	3F2	55549-90A00-	3D2		
45612-60040-	2M7	47322-60490-	2C9	-60651-	2L9	51202-60151-	3A1	53410-90A01-	3L1	55556-90A01-	3D2		
45636-60090-	2B7	47323-60041-	2C9	-60660-	2L9	51203-60102-	3A1	53420-90A01-	3L1	55561-90A00-	3D2		
45637-60060-	2B7	47324-60021-	2C9	-60661-	2L9	51204-60052-	3A1	53440-90A00-	3L1	P 55569-90A00-06	3D2		
45700-69025-	2M7	47325-60100-	2C9	48203-60650-	2M9	51205-60010-	3A	53450-90A00-	3L1	P -90A00-23	3D2		
45721-60030-	2B7	47326-60110-	2C9	-60651-	2M9	51209-60090-	219	53451-90A00-	3L1	55581-90A06-	3D2		
45804-22010-	2B7	47341-60031-	2C9	-60660-	2M9	51217-60011-	3A1	53452-90351-	3L1	55650-90A02-	3D2		
45813-22010-	2B7	47343-60021-	2C9	-60661-	2M9	51218-60011-	3A1	53510-90A02-	3L1	55660-90A00-	3D2		
-22020-	2B7	47354-60030-	2C9	48210-60650-	2L9	51321-60030-	3A1	53630-90A01-	3L1	55670-90A02-	3D2		
-22030-	2B7	47355-60030-	2C9	-60651-	2L9	51322-60030-	3B1	53701-90G90-	3A2	55700-90G17-	3F2		
-22040-	2B7	47371-35020-	2C9	-60660-	2M9	51421-60041-	3B1	53702-90A70-	3A2	55701-90A35-	3F2		
-22050-	2B7	47447-60010-	2K8	-60661-	2M9	51422-60041-	3B1	53738-90A00-	3A2	55729-90A01-	3F2		
45814-22010-	2B7	47449-30020-	2K8	48211-60650-	2L9	51441-60061-	3C1	53739-90A00-	3A2	55780-90A01-	3F2		
-22020-	2B7	47491-20011-	2K8	-60660-	2L9	51495-60230-	3C1	53801-90G00-	3J1	55843-90A03-	3J11		
45615-22060-	2B7	47509-60010-	2K8	48212-60650-	2L9	51701-60051-	3B1	53802-90A72-	3J1	55901-90A01-	3J11		
-22070-	2B7	47547-20030-	2H8	-60660-	2L9	51702-60020-	3B1	53931-90A06-	3J1	55905-12070-	3F11		
-22080-	2B7	-60020-	2K8	48214-60650-	2L9	51703-60020-	3B1	55016-90A75-	3A2	-22050-	3J11		
-22090-	2B7	47548-60010-	2B9	-60651-	2L9	51704-60010-	3B1	-90A75-	3A2	-90A00-	3J11		
-22100-	2B7	47550-60120-	2K8	-60660-	2L9	51705-60062-	3B1	55073-90A00-	3F2	55907-90A00-	3J11		
45817-60010-	2B7	47611-60010-	2K8	-60661-	2L9	-60110-	3B1	55084-90A03-	3J11	55908-90A00-	3J11		
45819-22011-	2B7	47612-60010-	2K8	48215-60650-	2L9	51707-60030-	3B1	55085-90A01-	3J11	55950-90A01-	3D2		
45821-22010-	2B7	47616-60010-	2K8	-60651-	2L9	51709-60020-	3B1	55086-90A01-	3J11	-90A03-	3D2		
45870-60030-	2B7		2L8	-60660-	2L9	51900-60100-	3D1	55087-90A01-	3J11	55959-14010-	3E2		
45890-22050-	2B7	47624-60010-	2L8	-60661-	2M9	51961-36040-	3C1	55088-90A01-	3J11	P 55961-90A00-03	3E		
45897-14010-	2B7	47625-60010-	2L8	48217-60650-	2M9	-60040-	3C1	55089-90A03-	3J11	P -90A00-16	3E		
45898-22010-	2B7	47626-60010-	2L8	-60651-	2M9	51966-60010-	3C1	55106-90A16-	2C8	55970-90A00-	3E		
45899-22020-	2C7	47628-35020-	2L8	-60660-	2M9	52023-60011-	3E1	55210-90A12-	3A2	55980-90A00-	3E		
46210-60040-01	2A8	47633-35020-	2L8	-60661-	2M9	52102-90A00-	3G1	55225-90A00-	3A2	56111-90A02-	3G1		
-60040-16	2A8	47643-60010-	2L8	48216-60650-	2M9	52103-90A00-	3G1	55301-90A76-03	3C2	56121-90A01-	3G1		
-60041-01	2A8	47644-60010-	2L8	-60651-	2M9	52106-60010-	3H1	-90A76-05	3C2	-90A05-	3G2		
-60041-06	2A8	47655-60010-	2L8	-60660-	2M9	52107-60010-	3H1	55315-90A00-	3C2	57104-90A03-	3A2		
46217-10020-01	2A8	47703-60031-	2H8	-60661-	2M9	52111-90A03-	3G1	55341-90A02-	3C2	57401-90A05-	3J2		
-10021-56	2A8	47704-60031-	2H8	48247-60651-	2M9	52141-60050-	3G1	55342-90A01-	3C2	57402-90A05-	3J2		

1. MODELS COVERED & CHARACTERISTICS**015****TOYOTA LAND CRUISER Station Wagon (Production from Aug. '87 up to Jan. '90)****TOYOTA LAND CRUISER Station Wagon**

Model	Engine	Production Period	Characteristic Expressions in Catalog Model Column		Model Name
FJ62LV-PNEA	3F-E	8708-8808	WGV	USA	Station Wagon
FJ62LG-PNEA	"	8708-9001	WGG	"	"
" PNEK	"	8708-9001	"	CND	"

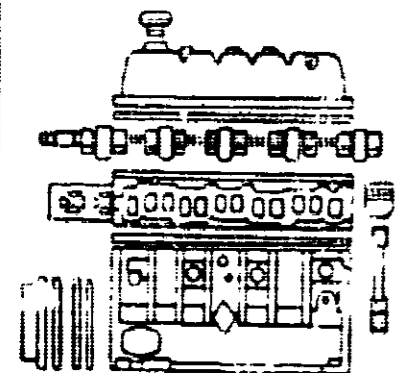
WGV Station Wagon

WGG Station Wagon G type

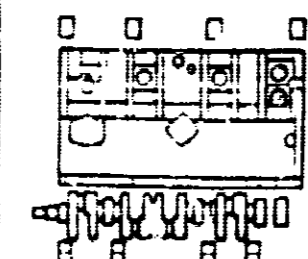
USA For United States of America

CND For Canada

1C1 (11-01)

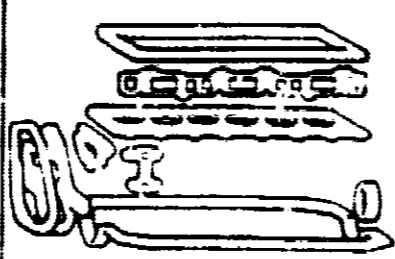


1D1 (11-02)



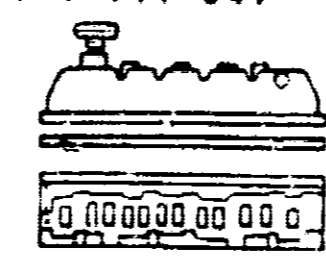
Short Block Assembly

1E1 (11-03)



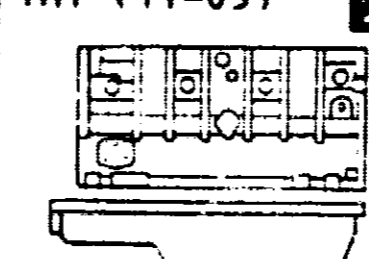
Overhaul Gasket Kit

1F1 (11-04)



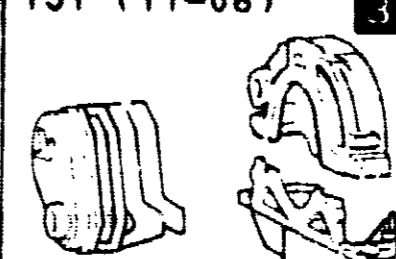
Cylinder Head

1H1 (11-05)



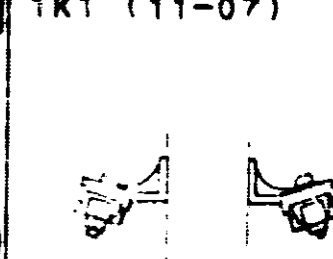
Cylinder Block

1J1 (11-06)



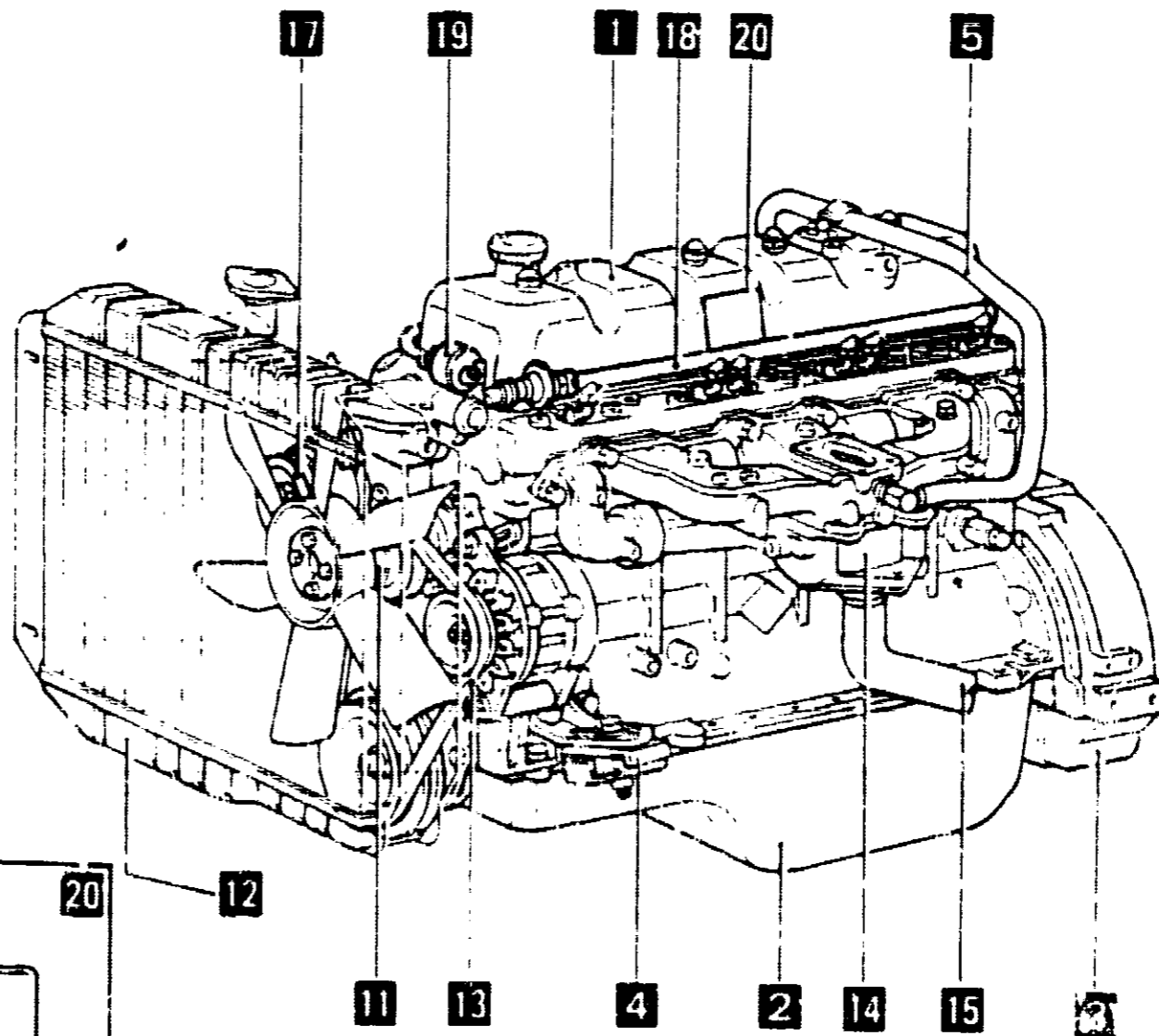
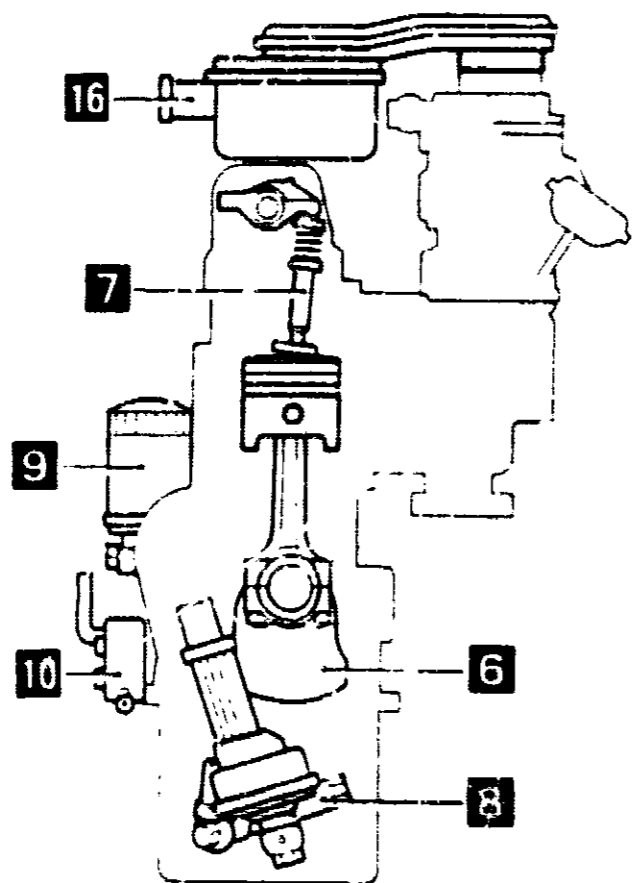
Gear Cover & End Plate

1KT (11-07)



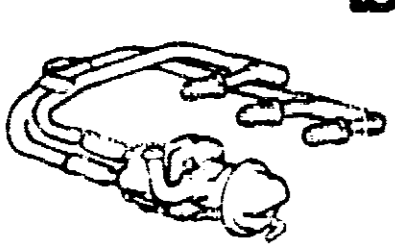
Mounting

ENGINE GROUP (1/2)



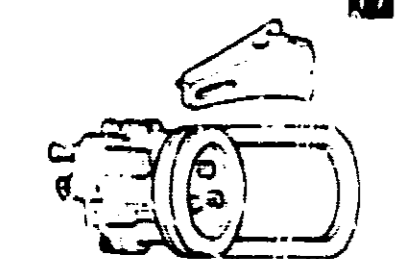
Partial Engine Assembly

1I3 (17-06)



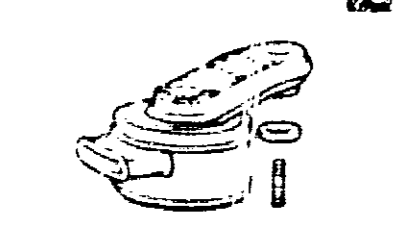
Manifold Air System

1H3 (17-05)



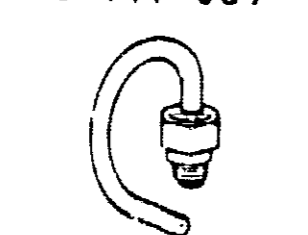
Air Pump

1F3 (17-03)



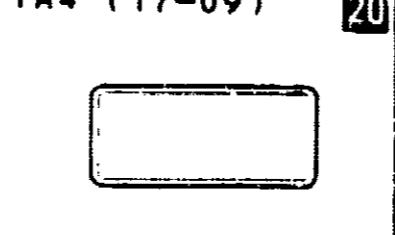
Air Cleaner

1K3 (17-08)



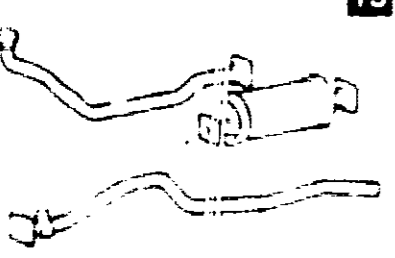
Vacuum Piping

1A4 (17-09)



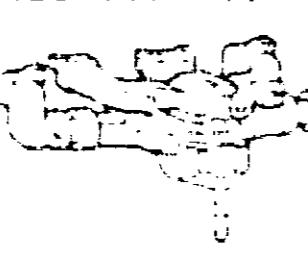
Caution Plate

1D3 (17-02)



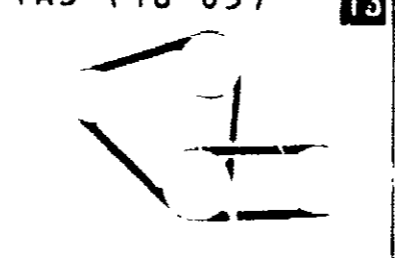
Exhaust Pipe

1B3 (17-01)



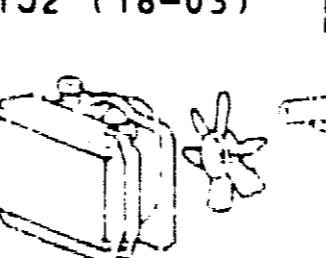
Manifold

1A3 (16-05)



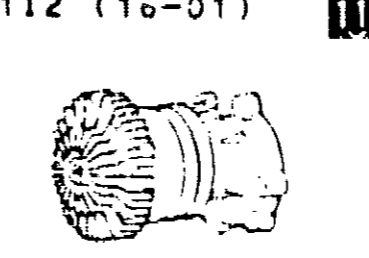
V Belt

1J2 (16-03)



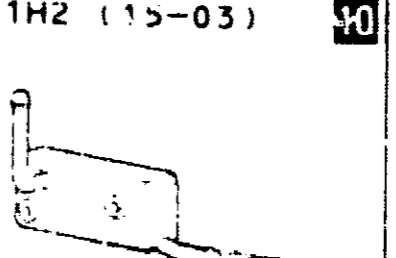
Radiator & Fan

1I2 (16-01)



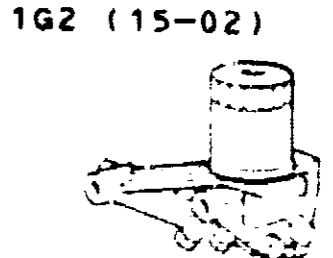
Water Pump

1H2 (15-03)



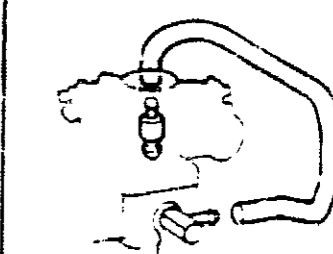
Oil Cooler

1G2 (15-02)



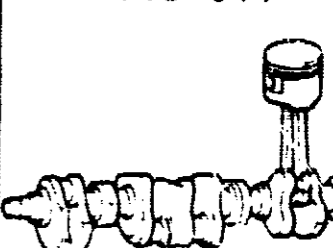
Oil Filter

1L1 (12-01)



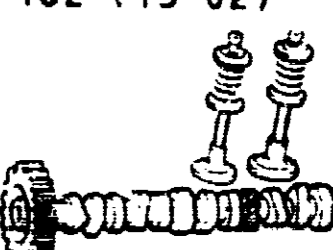
Ventilation Hose

1M1 (13-01)



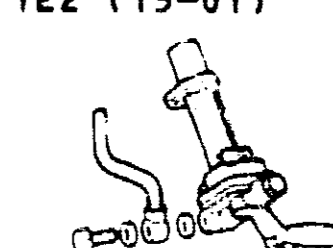
Crankshaft & Piston

1C2 (13-02)



Camshaft & Valve

1E2 (15-01)



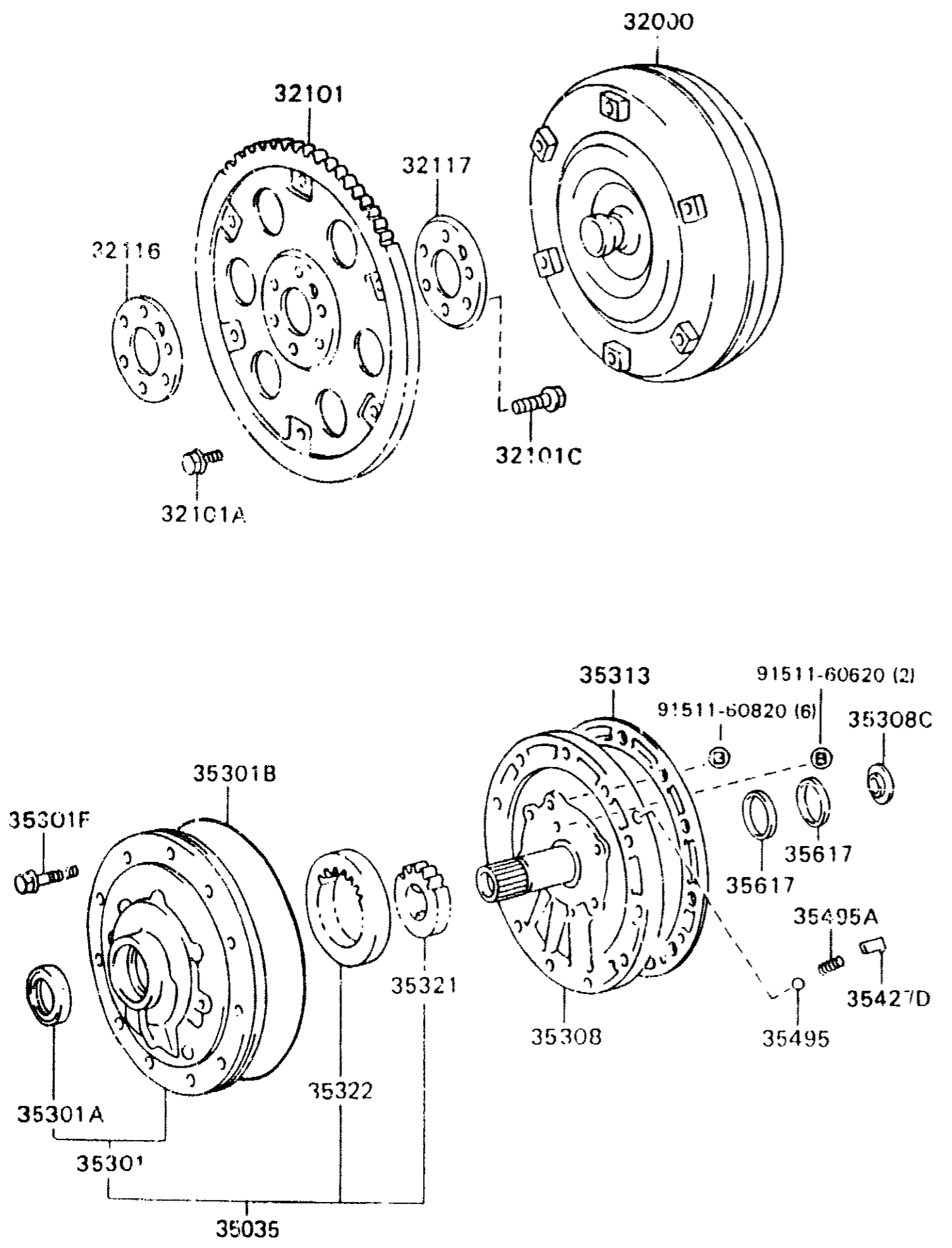
Oil Pump

FIG. 35-02 TORQUE CONVERTER, FRONT OIL PUMP & CHAIN (ATM)

2E1

791430M-01123

(8708-
A440F)



MC F791-A

PROD. DATE	MODELS	DESCRIPTION	R / P	PART NUMBER	QTY.	REV. REF	
						F	1
	32000	CONVERTER ASSY, TORQUE					
8708-8809	FJ62			# 32000-60040- (32000-6003C-)	1		
P 8809-8910	FJ62..WGG			32000-60030-	1		
B 8910-9001	FJ62..WGG			32000-60031-	1		
	32101	GEAR SUB-ASSY, DRIVE PLATE & RING					
P 8708-8906	FJ62			32101-60010-	1		008
B 8906-9001	FJ62..WGG			32101-60011-	1	009	
	32101A	BOLT (FOR DRIVE PLATE & TORQUE CONVERTER SETTING)					
8708-9001	FJ62	*8-1.25Px14-10, BLACK		90119-08497-	5		
8708-9001	FJ62	*8-1.25Px14-9, OLIVE GREEN		90119-08523-	1		
	32101C	BOLT, HEXAGON (FOR DRIVE PLATE SETTING)					
P 8708-8906	FJ62			# 90105-10115- (90105-10270-)	6		008
B 8906-9001	FJ62..WGG			90105-11030-	6	009	
	32116	SPACER, DRIVE PLATE, FRONT					
P 8708-8906	FJ62			32116-60010-	1		008
B 8906-9001	FJ62..WGG			32116-60011-	1	009	
	32117	SPACER, DRIVE PLATE, REAR					
P 8708-8906	FJ62			32117-60010-	1		008
B 8906-9001	FJ62..WGG			32117-60011-	1	009	
	35035	BODY SUB-ASSY, FR OIL PUMP & GEAR					
8708-9001	FJ62			35035-36010-	1		

* - Px - = Outside diameter - Pitch - Bolt length - Thread length

PROD. DATE	MODELS	DESCRIPTION	R / P	PART NUMBER	QTY.	REV. REF.	
						F	T
8708-9001	FJ62	1 35455B PIN, STRAIGHT (FOR 1-2 SHIFT VALVE LOW PLUG)		90250-03050-	1		
8708-9001	FJ62	1 35456 VALVE, 2-3 SHIFT		35456-36010-	1		
8708-9001	FJ62	1 35456A SPRING, COMPRESSION (FOR 2-3 SHIFT VALVE)		90501-11041-	1		
8708-9001	FJ62	1 35456C PLUG (FOR 2-3 SHIFT VALVE)		90339-04011-	1		
8708-9001	FJ62	1 35456E PIN, STRAIGHT (FOR 2-3 SHIFT VALVE)		90282-03006-	1		
8708-9001	FJ62	1 35458D VALVE, CUT BACK		35458-36010-	1		
8708-9001	FJ62	1 35458E PLUG (FOR CUT BACK VALVE)		90339-04017-	1		
8708-9001	FJ62	1 35458H KEY, STRAIGHT (FOR CUT BACK VALVE)		90282-03006-	1		
8708-9001	FJ62	1 35459A SLEEVE, THROTTLE VALVE, NO.2		35459-36010-	1		
8708-9001	FJ62	1 35459B SPRING (FOR THROTTLE VALVE SLEEVE)		90501-15006-	1		

PROD. DATE	MODELS	DESCRIPTION	R / P	PART NUMBER	QTY.	REV. REF.	
						F	T
8708-9001	FJ62	1 35462E VALVE, PRIMARY THROTTLE		35462-36010-	1		
8708-9001	FJ62	1 35462F SPRING, COMPRESSION (FOR PRIMARY THROTTLE VALVE)		90501-07049-	1		
8708-9001	FJ62	1 35462G RING, E (FOR PRIMARY THROTTLE VALVE)		90523-06005-	X		
8708-9001	FJ62	1 35463B VALVE, 1-2 RELAY		35463-36010-	1		
8708-9001	FJ62	1 35463D PLUG (FOR 1-2 RELAY VALVE)		90339-04019-	1		
8708-9001	FJ62	1 35463E SPRING, COMPRESSION (FOR 1-2 RELAY VALVE)		90501-06043-	1		
8708-9001	FJ62	1 35463F PIN, STRAIGHT (FOR 1-2 SHIFT VALVE)		90250-03051-	1		
8708-9001	FJ62	1 35464 VALVE, 1-2 SHIFT		35464-36011-	1		
8708-9001	FJ62	1 35464A SPRING, COMPRESSION (FOR 1-2 SHIFT VALVE)		90501-07040-	1		
8708-9001	FJ62	1 35466E VALVE, 2ND LOCK		35466-60010-	1		

PROD. DATE	MODELS	DESCRIPTION	R / P	PART NUMBER	Q T Y.	REV. REF	
						F	T
	↔ 36231B CONTINUED	SHIM (FOR TRANSFER OUTPUT SHAFT)					
8708-9001	FJ62	T=1.30		90564-70011-	1		
8708-9001	FJ62	T=1.40		90564-70012-	1		
8708-9001	FJ62	T=1.50		90564-70013-	1		
	↔ 36231C	BEARING, TAPER ROLLER (FOR TRANSFER OUTPUT SHAFT)					
8708-9001	FJ62	FR		90366-35011-	1		
8708-9001	FJ62	RR		90366-35054-	1		
	↔ 36231E	BEARING, NEEDLE ROLLER (FOR TRANSFER OUTPUT SHAFT FRONT)					
8708-9001	FJ62			90364-17010-	1		
	↔ 36231F	RING, SHAFT SNAP (FOR TRANSFER OUTPUT SHAFT)					
8708-9001	FJ62	T=2.30-2.35		90520-33107-	1		
8708-9001	FJ62	T=2.6		90520-33110-	1		
	↔ 36234	SHAFT, TRANSFER OUTPUT, FRONT					
8708-9001	FJ62			36234-60031-	1		
	↔ 36234A	BEARING (FOR TRANSFER OUTPUT FRONT SHAFT)					
8708-9001	FJ62			90363-35013-	1		
	↔ 36234B	RING, SNAP (FOR TRANSFER OUTPUT FRONT BEARING)					
8708-9001	FJ62	T=1.6		90521-75023-	1		
	↔ 36235	SLEEVE, TRANSFER HIGH AND LOW CLUTCH					
8708-9001	FJ62			36235-60020-	1		
	↔ 36236	SLEEVE, FRONT DRIVE CLUTCH					
8708-9001	FJ62			36235-60020-	1		

PROD. DATE	MODELS	DESCRIPTION	R / P	PART NUMBER	Q T Y.	REV. REF	
						F	T
	↔ 36237	HUB, TRANSFER CLUTCH					
8708-9001	FJ62			36237-60020-	1		
	↔ 36242	GEAR, TRANSFER LOW					
8708-9001	FJ62			36242-60130-	1		
	↔ 36251	SPACER, TRANSFER INPUT SHAFT					
8708-9001	FJ62			36251-60030-	1		
	↔ 36261	SPACER, TRANSFER IDLER GEAR					
8708-9001	FJ62			90560-38003-	1		
	↔ 36481R	WASHER, PLATE (FOR SPEEDMETER DRIVE GEAR)					
8708-9001	FJ62			90201-35002-	1		
	↔ 36726	PLATE, LOCK (FOR TRANSFER GEAR)					
8708-9001	FJ62			36726-60020-	1		

PROD. DATE	MODELS	DESCRIPTION	R / P	PART NUMBER	QTY.	REV. REF	
						F	T
B 8808-9001	41341 CONTINUED FJ62..WGG	PINION, REAR DIFFERENTIAL		41341-25010-	2		
B 8708-9001	41342 FJ62	SHAFT, REAR DIFFERENTIAL PINION		41342-55010-	1		
8708-9001	FJ62	L=136.0, W(DIFFERENTIAL LOCK)		41342-60010-	1		
8708-9001	FJ62	L=60.5, W(DIFFERENTIAL LOCK)		41342-60020-	2		
P 8708-8911	41343 FJ62	PIN, DIFFERENTIAL PINION SHAFT		41343-55010-	1		
8708-9001	FJ62	W(DIFFERENTIAL LOCK)		41343-60010-	1		
B 8911-9001	FJ62..WGG			41343-60030-	1		
8708-9001	41344 FJ62	SPACER, DIFFERENTIAL PINION SHAFT		41344-35010-	1		
8708-9001	FJ62	H=29.8		41345-35010-	1		
8708-9001	FJ62	H=30.2		41346-35010-	1		
8708-9001	FJ62	H=30.6		41347-35010-	1		
8708-9001	FJ62	H=29.0		41348-35010-	1		
8708-9001	FJ62	H=29.4					
8708-8808	41351 FJ62	WASHER, REAR DIFFERENTIAL PINION THRUST		41351-35011-	2		
8708-9001	FJ62	W(DIFFERENTIAL LOCK)			4		
B 8808-9001	FJ62..WGG			41351-25010-	2		
8708-9001	41361 FJ62	WASHER, REAR DIFFERENTIAL SIDE GEAR THRUST NO. 1		41361-60010-	2		
		T=1.60					

PROD. DATE	MODELS	DESCRIPTION	R / P	PART NUMBER	QTY.	REV. REF	
						F	T
8708-9001	41361 CONTINUED FJ62	WASHER, REAR DIFFERENTIAL SIDE GEAR THRUST NO. 1		41361-60020-	2		
8708-9001	FJ62	T=1.75		41361-60030-	2		
8708-9001	FJ62	T=1.90		41361-60040-	2		
8708-9001	FJ62	T=2.05					
8708-9001	41375 FJ62	HOLDER, PINION SHAFT		41375-60010-	1		
8708-9001	FJ62						
8708-9001	41451 FJ62	FORK, REAR DIFFERENTIAL LOCK SHIFT		41451-60010-	1		
P 8708-8912	FJ62						
S 8912-9001	FJ62..WGG						
8708-9001	41453 FJ62	SLEEVE, REAR DIFFERENTIAL LOCK		41453-60010-	1		
8708-9001	FJ62			41453-60011-	1		
8708-9001	41456 FJ62	COVER, REAR DIFFERENTIAL LOCK		41456-60010-	1		
8708-9001	FJ62						
8708-9001	41460 FJ62	CYLINDER ASSY, REAR DIFFERENTIAL LOCK		41460-60010-	1		
8708-9001	FJ62						
8708-9001	41460B FJ62	RING O (FOR REAR DIFFERENTIAL LOCK CYLINDER)		96711-24023-	1		
8708-9001	FJ62						
8708-9001	41460F FJ62	BOLT (FOR REAR DIFFERENTIAL LOCK CYLINDER SET)		90105-08114-	4		
8708-9001	FJ62						
8708-9001	41460J FJ62	BALL (FOR REAR DIFFERENTIAL LOCK CYLINDER)		90360-10003-	1		

PROD. DATE	MODELS	DESCRIPTION	R/P	PART NUMBER	QTY.	REV. REF	
						F	T
	I 41101A I	CARRIER SUB-ASSY, DIFFERENTIAL, FRONT					
P 8708-8906	FJ62	W(DIFFERENTIAL LOC K)		# 41101-60080- (41101-60081-) (90116-10075-)	1 1 2		
8906-9001	FJ62..WGG	W(DIFFERENTIAL LOC K)		41101-60081-	1		
S 8911-9001	FJ62..WGG			41101-60041-	1		
8708-8911	FJ62			41101-60040-	1		
	I 41101D I	SEAL, OIL (FOR FRONT DIFFERENTIAL CARRIER)					
P 8708-8911	FJ62			90311-38134-	1		
B 8911-9001	FJ62..WGG			90311-38035-	1		
	I 41110C I	BOLT, STUD (FOR FRONT DIFFERENTIAL CARRIER)					
P 8708-8906	FJ62	S=16&12.5,L=30.5,W (DIFFERENTIAL LOCK)		90116-10074-	6		
8708-9001	FJ62	S=16&12.5,L=30.5		⚡	8		
8708-9001	FJ62	S=18&12.5,L=53.5		90116-10075-	2		
8708-9001	FJ62	S=19.0&12.5,L=78.4		90116-10122-	2		
B 8906-9001	FJ62..WGG	S=16 & 12.5,L=30.5		90116-10074-	4		
B 8906-9001	FJ62..WGG	S=18 & 12.5,L=53.5		90116-10075-	4		
	I 41110F I	CARRIER ASSY, DIFFERENTIAL, FRONT					
P 8708-8906	FJ62	*AXC=K084,*FGR=37:9,W(DIFFERENTIAL LOCK)		# 41110-60230- (41110-60231-) (90116-10075-)	1 1 2		
8708-8911	FJ62	*FGR=37:9		# 41110-60110- (41110-60111-) (90949-01692-)	1 1 1		
N 8906-9001	FJ62..WGG	*FGR=37:9,W(DIFFERENTIAL LOCK)		41110-60231-	1		
N 8911-9001	FJ62..WGG	*FGR=37:9		41110-60111-	1		

PROD. DATE	MODELS	DESCRIPTION	R/P	PART NUMBER	QTY.	REV. REF	
						F	T
	I 41114B I	BOLT, FRONT DIFFERENTIAL BEARING CAP					
8708-9001	FJ62	W(DIFFERENTIAL LOC K)		41114-60010-	4		
8708-9001	FJ62			90105-12053-	4		
	I 41201T I	FINAL GEAR KIT, DIFFERENTIAL, FRONT					
8708-9001	FJ62	*FGR=37:9		41201-69166-	1		
	I 41204D I	FLANGE SUB-ASSY, DRIVE PINION COMPANION, FRONT					
8708-9001	FJ62			41204-60030-	1		
	I 41211A I	BEARING, TAPERED ROLLER (FOR FRONT DRIVE PINION FRONT)					
P 8708-8911	FJ62			90366-30011-	1		
A 8911-8912	FJ62..WGV			⚡	1		
A 8911-8912	FJ62..WGG	W(DIFFERENTIAL LOC K)		⚡	1		
B 8911-9001	FJ62..WGG			90366-30038-	1		
	I 41211B I	BEARING, TAPERED ROLLER (FOR FRONT DRIVE PINION REAR)					
8708-8911	FJ62			# 90366-40004- (90366-40059-)	1 1		
B 8911-9001	FJ62..WGG			90366-40059-	1		
	I 41214C I	SLINGER, FRONT DIFFERENTIAL DRIVE PINION OIL					
8708-9001	FJ62			41214-26010-	1		
	I 41222B I	BOLT, HEXAGON (FOR FRONT RING GEAR SET)					
8708-9001	FJ62			41226-35010-	12		
	I 41231F I	SPACE. FRONT DIFFERENTIAL DRIVE PINION BEARING					
P 8708-8911	FJ62			41231-60020-	1		

*AXC=Axle Code(Stated in TRANS/AXLE Column of Name Plate) *FGR=Final Gear Ratio

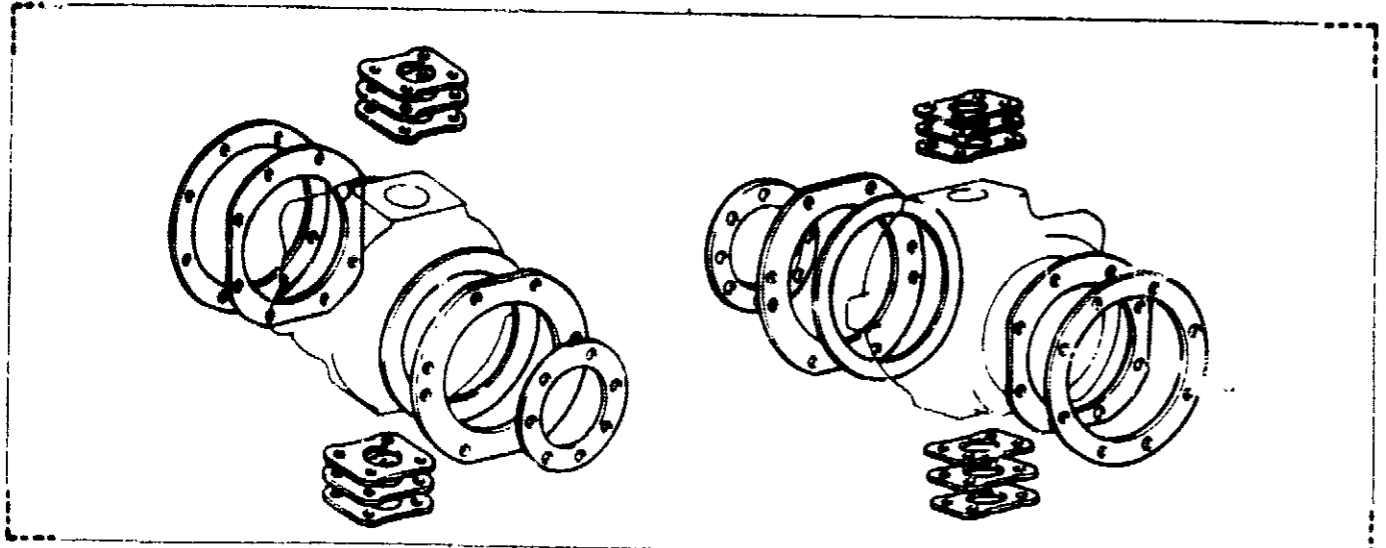
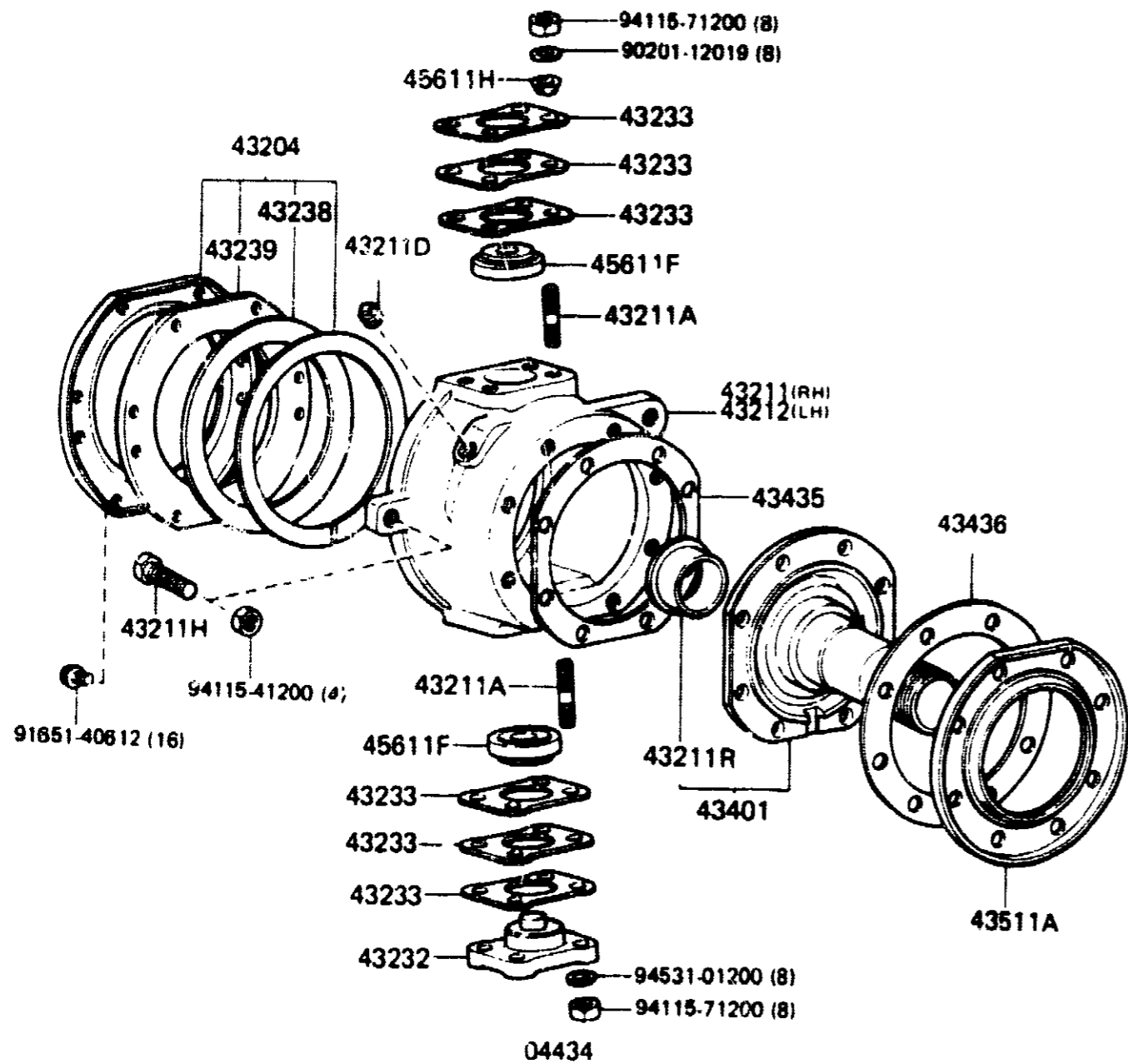
PROD. DATE	MODELS	DESCRIPTION	R / P	PART NUMBER	Q T Y.	REV. REF	
						F	T
8708-9001	FJ62	KEY, VANE PUMP PULLEY		90280-05008-	1		
8708-9001	FJ62	SHAFT, VANE PUMP		44312-12010-	1		
8708-9001	FJ62	BEARING (FOR VANE PUMP SHAFT)		90363-17004-	1		
8708-9001	FJ62	RING, SHAFT SNAP (FOR VANE PUMP SHAFT)		90520-15001-	1		
8708-8810	FJ62	ROTOR, VANE PUMP		# 44313-12010- (44313-22040-)	1		
8708-8810	FJ62	NO MARK		# 44313-12020- (44313-22050-)	1		
8708-8810	FJ62	MARK 1		# 44313-12030- (44313-22060-)	1		
8708-8810	FJ62	MARK 2		# 44313-12040- (44313-22070-)	1		
8708-8810	FJ62	MARK 3		# 44313-12050- (44313-22080-)	1		
8708-8810	FJ62	MARK 4		44313-22040-	1		
8810-9001	FJ62..WGG	NO MARK		44313-22050-	1		
8810-9001	FJ62..WGG	MARK 1		44313-22060-	1		
8810-9001	FJ62..WGG	MARK 2		44313-22070-	1		
8810-9001	FJ62..WGG	MARK 3		44313-22080-	1		
8810-9001	FJ62..WGG	MARK 4		44320-60090-	1		
8708-9001	FJ62	PUMP ASSY, VANE					

PROD. DATE	MODELS	DESCRIPTION	R / P	PART NUMBER	Q T Y.	REV. REF	
						F	T
8708-9001	FJ62	RING, CAM (FOR VANE PUMP)		44325-12010-	1		
8708-9001	FJ62	NO MARK		44325-12020-	1		
8708-9001	FJ62	MARK 1		44325-12030-	1		
8708-9001	FJ62	MARK 2		44325-12040-	1		
8708-9001	FJ62	MARK 3		44325-12050-	1		
8708-9001	FJ62	MARK 4					
8708-9001	FJ62	PIN, STRAIGHT (FOR VANE PUMP CAM RING)		90250-05008-	2		
8708-9001	FJ62	OD=5.0, L=25					
8708-9001	FJ62	VALVE ASSY, FLOW CONTROL		44330-30100-	1		
8708-9001	FJ62	MARK A		44330-30110-	1		
8708-9001	FJ62	MARK B		44330-30120-	1		
8708-9001	FJ62	MARK C		44330-30130-	1		
8708-9001	FJ62	MARK D		44330-30140-	1		
8708-9001	FJ62	MARK E		44330-30150-	1		
8708-9001	FJ62	MARK F					
8708-9001	FJ62	SPRING, COMPRESSION (FOR FLOW CONTROL VALVE)		90501-12103-	1		
8708-9001	FJ62						
8708-9001	FJ62	RING, SNAP (FOR FLOW CONTROL VALVE)		96151-01700-	1		
8708-9001	FJ62						
8708-9001	FJ62	RING, O (FOR POWER STEERING SUCTION PORT)		96711-19013-	1		
8708-9001	FJ62						
8708-9001	FJ62	RING, O (FOR PRESSURE PORT UNION)		90301-22001-	1		

PROD. DATE	MODELS	DESCRIPTION	R / P	PART NUMBER	Q T Y.	REV. REF	
						F	T
B 8708-9001	FJ62	PLUG, MASTER CYLINDER FLUID OUTLET (FOR REAR SIDE)		47218-12040-	1		
8708-9001	FJ62	GASKET (FOR FLUID OUTLET PLUG REAR SIDE)		90430-09253-	1		
8708-9001	FJ62	CAP ASSY, BRAKE MASTER CYLINDER RESERVOIR FILLER		84460-22010-	1		
8708-9001	FJ62	BOLT, BRAKE MASTER CYLINDER RESERVOIR SET		47231-20010-	1		
8708-9001	FJ62	TUBE, RESERVOIR, NO.1		47234-14010-	1		
8708-9001	FJ62	RING, O (FOR RESERVOIR TUBE)		90301-14001-	1		
8708-9001	FJ62	CLIP (FOR RESERVOIR TUBE)		90467-16001-	2		
8708-9001	FJ62	CLEVIS, MASTER CYLINDER PUSH ROD		47264-30040-	1		
8708-9001	FJ62	BOOT, MASTER CYLINDER		47265-20050-	1		
8708-9001	FJ62	BOOT, MASTER CYLINDER NO.1		47265-20060-	1		

PROD. DATE	MODELS	DESCRIPTION	R / P	PART NUMBER	Q T Y.	REV. REF	
						F	T
8708-9001	FJ62	GASKET, BRAKE MASTER CYLINDER		47275-22010-	1		
8708-9001	FJ62	STRAINER, BRAKE MASTER CYLINDER RESERVOIR		47299-14010-	1		

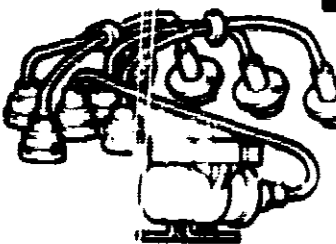
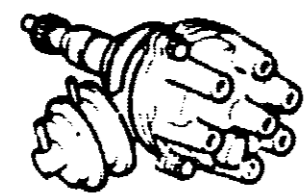
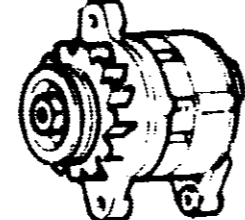
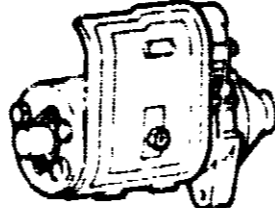
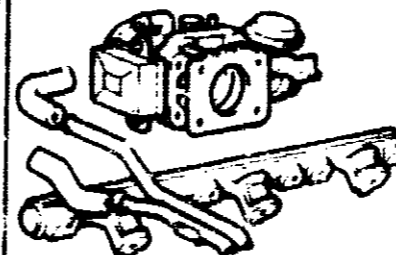
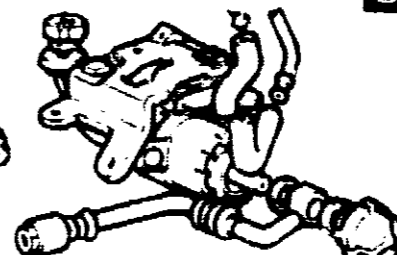
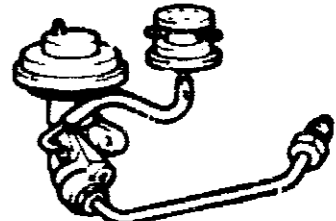
(8708-)



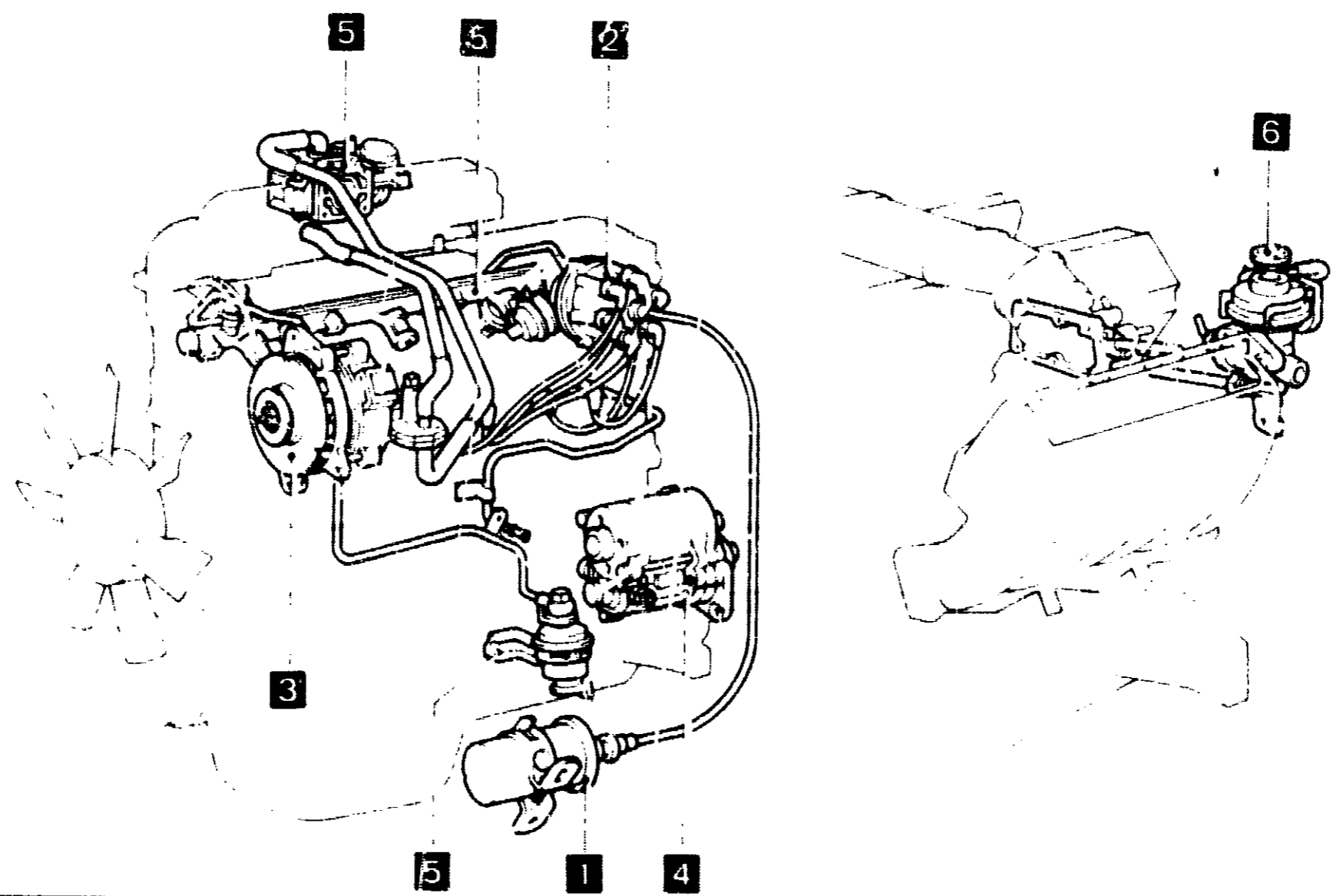
MC E327-A

PROD. DATE	MODELS	DESCRIPTION	R / P	PART NUMBER	QTY.	REV. REF	
						F	T
8708-9001	FJ62	04434 GASKET KIT, FRONT AXLE OVERHAUL		04434-60012-	1		
8708-9001	FJ62	43204 SEAL SUB-ASSY, STEERING KNUCKLE OIL		43204-60020-	2		
8708-9001	FJ62	43211 KNUCKLE, STEERING, RH		43211-60050-	1		
8708-9001	FJ62	43211A BOLT, STUD (FOR STEERING SET)		90116-12007-	16		
8708-9001	FJ62	43211D PLUG (FOR STEERING KNUCKLE)		90345-53020-	2		
8708-9001	FJ62	43211H BOLT, ROUND HEXAGON		90106-12022-	4		
P 8708-9001	FJ62	43211R BUSH (FOR STEERING KNUCKLE)		# 90381-33001- (90381-33002-)	2 2		
B 9001-9001	FJ62..WGG	43212 KNUCKLE, STEERING, LH		90381-33002-	2		
8708-9001	FJ62	43232 CAP, STEERING KNUCKLE BEARING		43212-60050-	1		
8708-9001	FJ62	43232		43232-35010-	2		
8708-9001	FJ62	43233 SHIM, STEERING KNUCKLE ADJUST, NO.1	T=0.2	43233-60011-	X		

PART NUMBER	LOCATION	PART NUMBER	LOCATION	PART NUMBER	LOCATION	PART NUMBER	LOCATION	PART NUMBER	LOCATION	PART NUMBER	LOCATION
57405-90A07-	3H2	P 58570-90A28-03	3B3	61341-90A00-	3H3	62505-90A03-08	3D4	63372-90A00-	3F4	67610-90G04-03	314
57407-90A43-	3H2	P -90A28-06	3B3	61342-90A00-	3H3	62506-90A03-08	3D4	P 63392-90A00-18	3F4	-90G04-06	314
-90A46-	3H2	-90A39-03	3B3	61345-90A00-	3H3	62510-90A31-03	3D4	P 63396-90A00-18	3F4	-90G07-03	314
57417-90A03-	3J2	-90A39-06	3B3	61346-90A00-	3H3	-90A31-06	3D4	P 63397-90A00-18	3F4	-90G07-06	314
57425-90A02-	3J2	58573-90A00-	3B1	61401-90A06-	3H3	-90A34-03	3D4	63435-90A00-	3L3	P -90G42-03	314
57426-90A04-	3J2	58705-90A01-	3G7	61402-90A06-	3H3	-90A34-06	3D4	63436-90A00-	3L3	P -90G42-06	314
57427-90A00-	3J2	58754-90A00-	3K2	61503-90A00-	3H3	P 62520-90A44-03	3D4	63437-90A00-	3L3	P -90G49-03	314
57468-90A01-	3J2	58790-90A01-	3G7	61504-90A00-	3H3	-90A44-06	3D4	63438-90A00-	3M3	P -90G49-06	314
-90A02-	3J2	58793-90A01-	3G7	61511-90A01-	313	-90A52-03	3D4	63439-90A00-	3M3	67620-90G07-03	3J4
57483-90A00-	3J2	P 58825-90A01-03	3E3	61512-90A01-	313	-90A52-06	3D4	63441-90A00-	3M3	-90G07-06	3J4
57511-90A03-	3J2	P -90A01-06	3E3	61607-90A04-	313	P 62539-90A01-03	3D4	63442-90A00-	3M3	-90G14-03	3J4
57605-90A02-	3M2	P 58841-90A01-03	3E3	-90A05-	313	P -90A01-06	3D4	63443-90A00-	3M3	-90G14-06	3J4
57606-90A09-	3M2	P -90A01-06	3E3	61608-90A00-	313	P 62549-90A00-03	3D4	63444-90A00-	3M3	P -90G41-03	3J4
57635-90A03-	3H2	P 58911-90A02-03	3E3	-90A01-	313	P -90A00-16	3D4	63445-90A00-	3M3	P -90G41-06	3J4
57805-90A00-	3M2	P -90A02-06	3E3	61611-90A03-	313	P 62613-90A07-03	3D4	63447-90A00-	3M3	P -90G48-03	3J4
58041-90A01-	3A3	P -90A03-03	3E3	61612-90A03-	313	-90A07-06	3D4	63448-90A00-	3M3	P -90G48-06	3J4
58043-90A00-	3A3	P -90A03-06	3E3	61631-90A03-	313	P -90A09-03	3D4	63449-90A00-	3M3	67630-90A25-03	3C5
58107-90A00-	3J2	P -90A05-03	3E3	61632-90A03-	313	P -90A09-06	3D4	63457-90A00-	3M3	-90A25-06	3C5
58111-90A46-	3J2	P -90A05-06	3E3	61645-90A00-	313	62614-90A00-03	3D4	63458-90A00-	3M3	-90A28-03	3C5
58151-90A05-	3A3	P -90A06-03	3E3	61646-90A00-	313	-90A00-16	3D4	63459-90A00-	3M3	-90A28-06	3C5
58153-90A01-	3A3	P -90A06-06	3E3	61705-90A30-	313	P -90A02-03	3D4	P 64739-90K01-03	3D4	P -90A33-03	3D5
58155-90A01-	3A3	58918-90A00-	3E3	-90A40-	313	-90A02-06	3D4	P -90K01-06	3D4	P -90A33-06	3D5
58186-90A03-	3J2	58936-60010-	2B1	61706-90A66-	313	62633-90A09-08	3D4	64777-90A00-	3G7	P -90A36-03	3D5
58192-90A00-	3J2	P 58944-90A00-03	3E3	-90A67-	313	P -90A11-08	3D4	P 64780-90A01-13	3J5	P -90A36-06	3D5
58203-90A00-	3J2	P -90A00-06	3E3	61709-90A02-	313	62634-90A09-08	3D4	P -90A01-16	3J5	67640-90A25-03	3D5
58204-90A00-	3J2	P -90A01-03	3E3	61711-90A01-	313	-90A11-08	3D4	64798-90A00-	3J5	-90A25-06	3D5
58211-90A21-	3J2	P -90A01-06	3E3	61712-90A01-	313	P 62640-90A17-03	3D4	65061-90A13-	3J5	-90A28-03	3D5
-90A24-	3J2	P 58947-90A03-03	3E3	61733-90A02-	313	P -90A17-06	3D4	65557-90A01-	3M2	-90A28-06	3D5
-90A26-	3J2	P -90A03-06	3E3	-90A03-	313	P 62650-90A06-03	3D4	65706-90A00-	3L5	P -90A34-03	3D5
-90A28-	3J2	P 58951-90A01-03	3E3	-90A05-	313	P -90A06-06	3D4	65707-90A00-	3L5	P -90A34-06	3D5
58231-90A00-	3A3	P -90A01-06	3E3	61734-90A01-	313	62711-90A12-	3K3	65777-90A00-	3L5	P -90A37-03	3D5
58247-90A00-	3J2	58959-16010-	3F3	-90A03-	313	62712-90A11-	3K3	66110-90A00-	3L5	P -90A37-06	3D5
58248-90A00-	3K2	58964-30030-	3F3	-90A05-	313	62741-90A01-	3K3	66301-90A00-	3M2	P 67651-90A01-03	3J4
58256-90B00-	3A3	-90K00-	3F3	61743-90A02-	313	62795-90A00-	3D7	66318-90A00-	3M2	P -90A01-06	3J4
58261-90A04-	3K2	58965-12010-	3F3	61745-90A01-	313	62903-90A00-	3A4	67001-90A40-	314	67687-90A00-	3J5
58263-90A02-	3K2	-20020-	3F3	61746-90A01-	3J3	62904-90A00-	3A4	-90A44-	314	67689-90A00-	3J5
58268-90A05-	3K2	58976-20010-	3F3	61791-90B01-	3J3	62905-69015-	3A4	67002-90A47-	314	67765-90A00-	3J5
58279-90A00-	3J7	58985-90A00-	3F3	61793-90A00-	3J3	62906-69015-	3A4	-90A50-	314	67766-90A00-	3J5
58290-90A04-	3K2	58996-90A04-	3F3	P 62101-90A00-03	3C4	62909-22010-	3A4	67003-90A15-	3C5	67767-90A00-	3J5
-90A05-	3K2	58997-90A02-	3F3	P -90A00-16	3C4	63105-90A00-	3L3	-90A17-	3C5	67769-90A00-	3J5
58303-90A00-	3M2	61027-90A04-	3G3	P 62102-90A00-03	3C4	63111-90A00-	3L3	67004-90A15-	3C5	67771-22010-	3J4
58304-90A00-	3M2	61028-90A04-	3G3	P -90A00-16	3C4	-90A01-	3L3	-90A17-	3C5	-30060-	3D5
58305-90A08-	3M2	61031-90A02-	3G3	P 62163-90A00-03	3C4	63132-90A00-	3L3	67005-90A20-	3J5	P 67777-22040-23	3J4
58306-90A12-	3M2	61032-90A00-	3G3	P -90A00-16	3C4	63141-90A00-	3L3	-90A27-	3J5	P -22040-36	3J4
58307-90A00-	3M2	61034-90A00-	3J3	P 62164-90A00-03	3C4	63145-90A00-	3L3	67111-90A15-	314	P 67778-22030-23	3J4
58308-90A03-	3M2	61101-90A08-	3G3	P -90A00-16	3C4	F 63310-90A11-08	3E4	-90A18-	314	P -22030-46	3J4
58311-90A19-	3M2	61102-90A07-	3G3	62311-90A00-07	3C4	63341-90A01-	3E4	67112-90A15-	314	P 67805-90A01-	3D5
-90A20-	3M2	61154-90C00-	3G4	-90A00-06	3C4	63343-90A01-	3E4	-90A18-	314	67813-90A00-	3J3
58315-90A07-	3M2	61161-90A03-	3G3	P -90A01-03	3C4	63344-90A01-	3E4	67113-90A05-	3C5	67814-90A00-	3J3
58316-90A07-	3M2	61162-90A03-	3G3	P -90A01-06	3C4	63353-90A00-	3E4	67114-90A05-	3C5	B 67832-90A04-	3J4
58325-90A00-	3M2	61183-90A01-	3G3	62312-90A00-03	3C4	63354-90A00-	3E4	67118-90A02-	314	P -90A07-	3J4
58339-90A00-	3M2	61184-90A00-	3G3	-90A00-06	3C4	63361-90A00-	3E4	-90A03-	314	67847-90A01-	3K5
58344-90A01-	3A3	61197-90A00-	3H3	P -90A01-03	3C4	-90A01-	3E4	67207-90A00-	3L5	67861-90A00-	3J4
58345-90A00-	3A3	61211-90A01-	3H3	P -90A01-06	3C4	62313-90A00-03	3C4	67209-90A00-	3L5	67862-90A00-	3J4
58348-90A00-	3M2	61212-90A01-	3H3	62313-90A00-03	3C4	-90A00-16	3C4	67285-90A00-	3L5	67868-30040-	3D5
58367-90A00-	3M2	61231-90A03-	3H3	P 62333-90A00-03	3C4	-90A02-	3E4	67286-90A00-	3L5	67871-90A00-	3J4
58410-90A00-	3G4	61232-90A02-	3H3	P -90A00-16	3C4	63362-90A00-	3F4	67401-90A00-	314	67872-90A00-	3D5
58418-90A00-	3G4	61263-90A01-	3H3	P 62411-90A01-03	3C4	-90A01-	3F4	67402-90A00-	314	67881-90A06-	3K5
58457-90A00-	3G4	61264-90A01-	3H3	P -90A01-16	3C4	-90A02-	3F4	67403-90A00-	314	67891-90A01-	3K5
P 58510-90A85-03	3E3	61267-90A00-	3H3	P 62412-90A01-03	3C4	63363-90A00-	3F4	67404-90A00-	314	P 67913-90A00-03	3B3
-90A85-06	3E3	61330-90A04-	3H3	P -90A01-16	3C4	-90A01-	3F4	67407-90A00-	3C5	P -90A00-16	3B3
P 58540-90A83-03	3B3	61340-90A05-	3H3	P 62471-90A00-13	3C4	-90A02-	3F4	67408-90A00-	314	67917-90A00-03	3C3
-90A83-06	3B3	-90A07-	3H3	P 62472-90A00-13	3C4	63371-30050-	3F4	67481-90A00-	314	-90A00-16	3C3

1B4 (19-01) 1  Ignition Coil & Cord	1D4 (19-02) 2  Distributor	1E4 (19-03) 3  Alternator	1G4 (19-04) 4  Starter	1I4 (22-11) 5  EFI System	5 	1M4 (25-01) 6  EGR System
--	--	--	--	---	---	---

ENGINE, FUEL GROUP (2/2)



PROD. DATE	MODELS	DESCRIPTION	R / P	PART NUMBER	Q T Y.	REV. REF	
						F	T
8708-9001	FJ62	SEAL, OIL (FOR FRONT OIL PUMP)		90311-42010-	1		
8708-9001	FJ62	RING, O (FOR FRONT OIL PUMP BODY)		90301-99029-	1		
8708-9001	FJ62	BOLT (FOR FRONT OIL PUMP SETTING)		91511-60850-	11		
8708-9001	FJ62	COVER SUB-ASSY, FRONT OIL PUMP		35308-36010-	1		
8708-9001	FJ62	RACE, THRUST BEARING (FOR FRONT OIL PUMP COVER)		35789-36040-	1		
8708-9001	FJ62	T=0.8		35789-36050-	1		
8708-9001	FJ62	T=1.0		35789-36060-	1		
8708-9001	FJ62	T=1.4					
8708-9001	FJ62	GASKET, FRONT OIL PUMP COVER		35313-36010-	1		
8708-9001	FJ62	GEAR, FRONT OIL PUMP DRIVE		35321-36010-	1		
8708-9001	FJ62	T=18.451-18.486		35321-36020-	1		
8708-9001	FJ62	T=18.435-18.450					
8708-9001	FJ62	GEAR, FRONT OIL PUMP DRIVEN		35322-36010-	1		
8708-9001	FJ62	T=18.451-18.486		35322-36020-	1		
8708-9001	FJ62	T=18.435-18.450					
8708-9001	FJ62	SEAT, CHECK VALVE SPRING		35427-36010-	1		

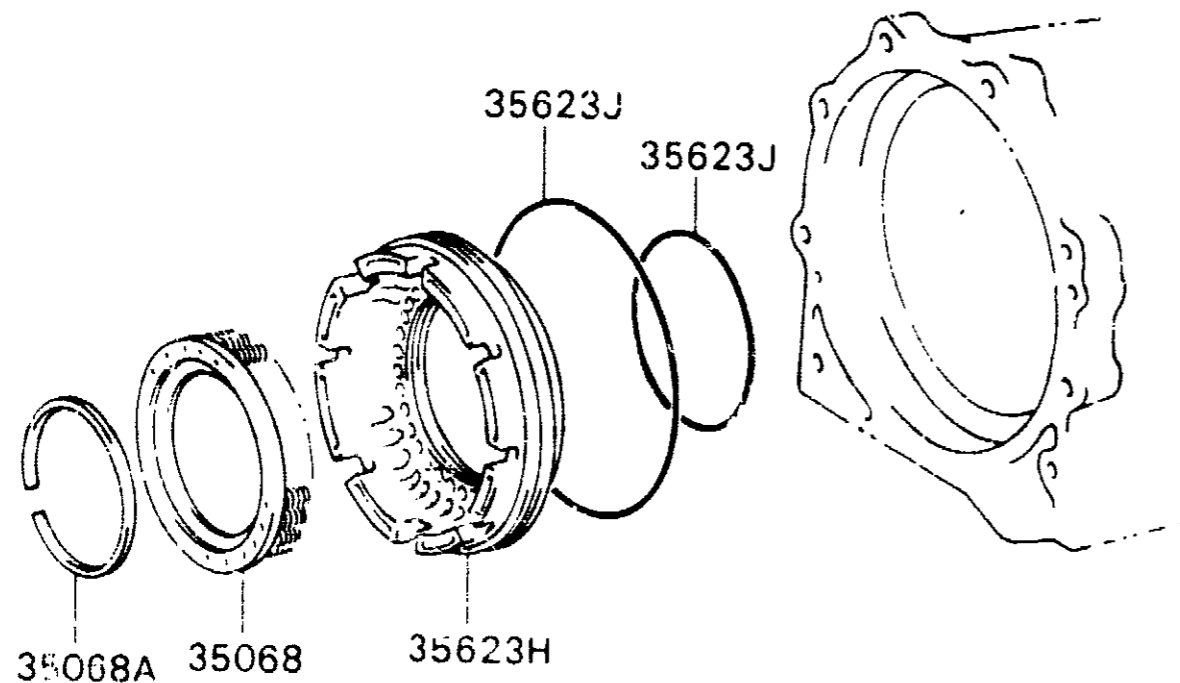
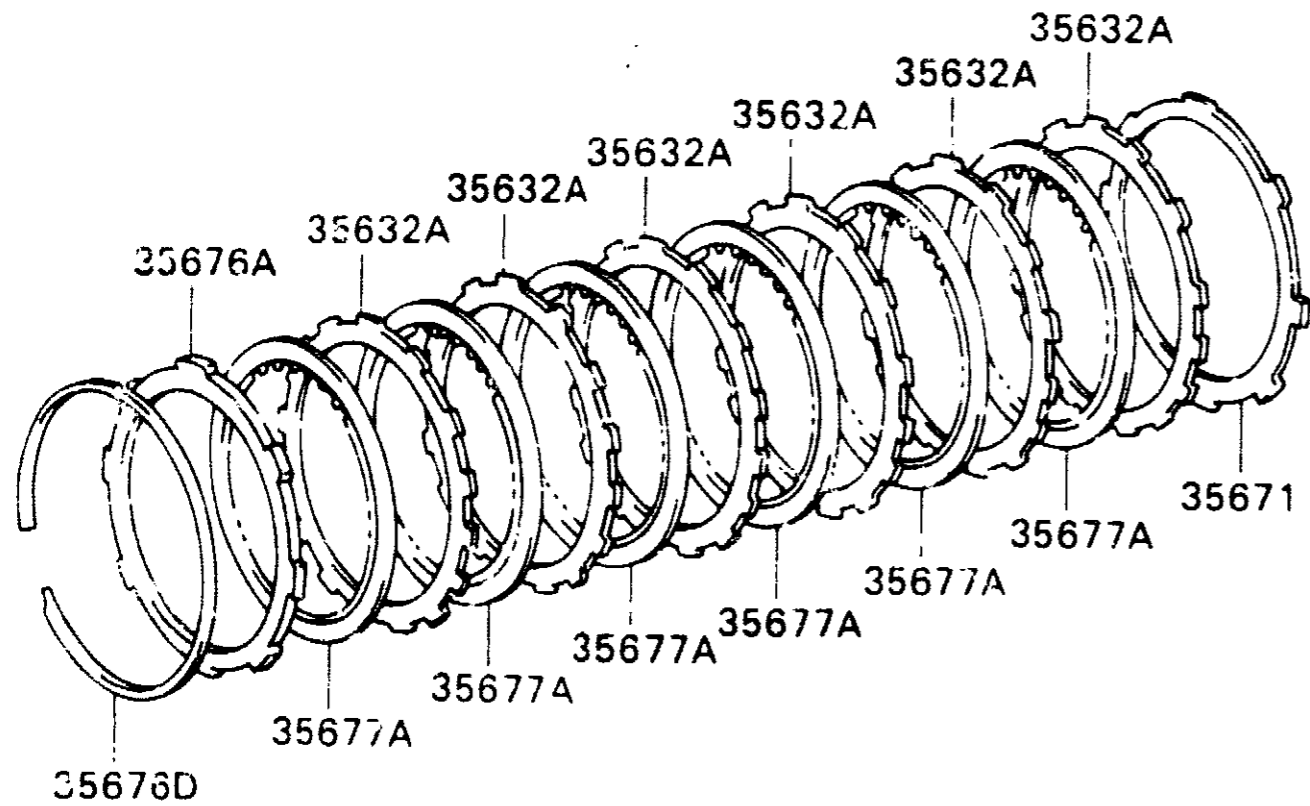
PROD. DATE	MODELS	DESCRIPTION	R / P	PART NUMBER	Q T Y.	REV. REF	
						F	T
8708-9001	FJ62	BALL, CHECK		35495-36010-	1		
8708-9001	FJ62	SPRING, COMPRESSION (FOR CHECK BALL)		90501-18677-	1		
8708-9001	FJ62	RING, CLUTCH DRUM OIL SEAL		35617-36010-	2		

FIG. 35-09 BRAKE NO.3, 1ST & REVERSE BRAKE (ATM)

2F2

791430M-01137

(8708-
A440F)



MC B717

PROJ. DATE	MODELS	DESCRIPTION	R / P	PART NUMBER	Q T Y.	REV. REF	
						F	T
8708-9001	FJ62	35068 SPRING SUB-ASSY, 1ST & REVERSE BRAKE RETURN		35068-36010-	1		
8708-9001	FJ62	35068A RING, SHAFT SNAP (FOR 1ST & REVERSE BRAKE RETURN SPRING)		90520-87001-	1		
8708-9001	FJ62	35623H PISTON, 1ST & REVERSE BRAKE		35623-36010-	1		
8708-9001	FJ62	35623J RING, O (FOR 1ST & REVERSE BRAKE)					
8708-9001	FJ62		INNER	90301-94002-	1		
8708-9001	FJ62		OUTER	90301-99030-	1		
8708-9001	FJ62	35632A PLATE, BRAKE (FOR 1ST & REVERSE BRAKE)		35632-36020-	6		
8708-9001	FJ62	35671 PLATE, BRAKE CUSHION		35671-36010-	1		
8708-9001	FJ62	35676A FLANGE, BRAKE (FOR 1ST & REVERSE BRAKE)					
8708-9001	FJ62		T=6.65	35676-36070-	1		
8708-9001	FJ62		T=7.05	35676-36080-	1		
8708-9001	FJ62		T=7.45	35676-36090-	1		
8708-9001	FJ62	35676D RING, HOLE SNAP (FOR 1ST & REVERSE BRAKE FLANGE)		90521-99021-	1		
8708-9001	FJ62	35677A DISC, CLUTCH (FOR 1ST & REVERSE BRAKE)		35633-36030-	6		

PROD. DATE	MODELS	DESCRIPTION	R / P	PART NUMBER	Q T Y.	REV. REF	
						F	T
8708-9001	FJ62	35466F SPRING, COMPRESSION (FOR 2ND LOCK VALVE)		90501-08062-	1		
8708-9001	FJ62	35466G KEY, STRAIGHT (FOR 2ND LOCK VALVE)		90282-03005-	1		
8708-9001	FJ62	35466J PLUG (FOR 2ND LOCK VALVE)		90339-04017-	1		
8708-9001	FJ62	35467B VALVE, INTERMEDIATE COAST SHIFT		35467-36010-	1		
8708-9001	FJ62	35468C VALVE, SECONDARY REGULATOR		35468-36011-	1		
8708-9001	FJ62	35468D SPRING, COMPRESSION (FOR SECONDARY REGULATOR VALVE)		90501-17008-	1		
8708-9001	FJ62	35468E KEY, STRAIGHT (FOR SECONDARY REGULATOR VALVE)		90282-03006-	1		
8708-9001	FJ62	35468F PLUG (FOR SECONDARY REGULATOR VALVE)		90339-04010-	1		
8708-9001	FJ62	35472 COVER, VALVE BODY, NO.2		35472-36011-	1		
8708-3001	FJ62	35476A PLUG, STRAIGHT (FOR 3RD COAST SHIFT)		90339-04012-	1		

PROD. DATE	MODELS	DESCRIPTION	R / P	PART NUMBER	Q T Y.	REV. REF	
						F	T
8708-9001	FJ62	35476B PIN, LOCATING (FOR 3RD COAST SHIFT)		90250-02016-	1		
8708-9001	FJ62	35476C VALVE, 3RD COAST		35476-36010-	1		
8708-9001	FJ62	35477A VALVE, OVERDRIVE CLUTCH EXHAUST		35477-30030-	1		
8708-9001	FJ62	35477B SPRING, COMPRESSION (FOR OVERDRIVE CLUTCH EXHAUST VALVE)		90501-07042-	1		
8708-9001	FJ62	35477F PLUG (FOR OVERDRIVE CLUTCH EXHAUST VALVE)		90339-04021-	1		
B 8708-9001	FJ62	35477G KEY, STRAIGHT (FOR 3RD COAST SHIFT)		90282-03006-	1		
8708-9001	FJ62	35479B VALVE, SECONDARY THROTTLE		35479-36010-	1		
8708-9001	FJ62	35479E SPRING, COMPRESSION (FOR SECONDARY THROTTLE VALVE)		90501-07049-	1		
8708-9001	FJ62	35479F RING, E (FOR SECONDARY THROTTLE VALVE)		90523-06005-	1		
8708-9001	FJ62	35488 VALVE, 2-3 SHIFT TIMING		35488-60010-	1		

PROD. DATE	MODELS	DESCRIPTION	R / P	PART NUMBER	Q T Y.	REV. REF	
						F	T
8708-9001	FJ62	BOLT (FOR REAR DIFFERENTIAL LOCK SHIFT FORK SHAFT SET)		90105-06052-	1		
8708-9001	FJ62	LEVER, REAR DIFFERENTIAL LOCK CYLINDER		41464-60010-	1		
8708-9001	FJ62	BUSH (FOR REAR DIFFERENTIAL LOCK CYLINDER LVER)		90386-09009-	4		
8708-9001	FJ62	RETAINER, REAR DIFFERENTIAL LOCK SPRING		41465-60010-	1		
8708-9001	FJ62	SPRING, COMPRESSION (FOR REAR DIFFERENTIAL LOCK RETAINER)		90501-20083-	1		
8708-9001	FJ62	PLUG (FOR REAR DIFFERENTIAL LOCK CYLINDER)		90341-26001-	1		
8708-9001	FJ62	GASKET (FOR REAR DIFFERENTIAL LOCK CYLINDER)		90430-26002-	1		
8708-9001	FJ62	BOOT, REAR DIFFERENTIAL LOCK CYLINDER		41466-60010-	1		
8708-9001	FJ62	PROTECTOR, DIFFERENTIAL LOCK CYLINDER		41467-60020-	1		
8708-9001	FJ62..CND	PLATE, CAUTION ENGLISH		41991-60030-	1		
8708-9001	FJ62..USA				1		
8708-9001	FJ62..CND	PLATE, CAUTION FRENCH		41991-60040-	1		

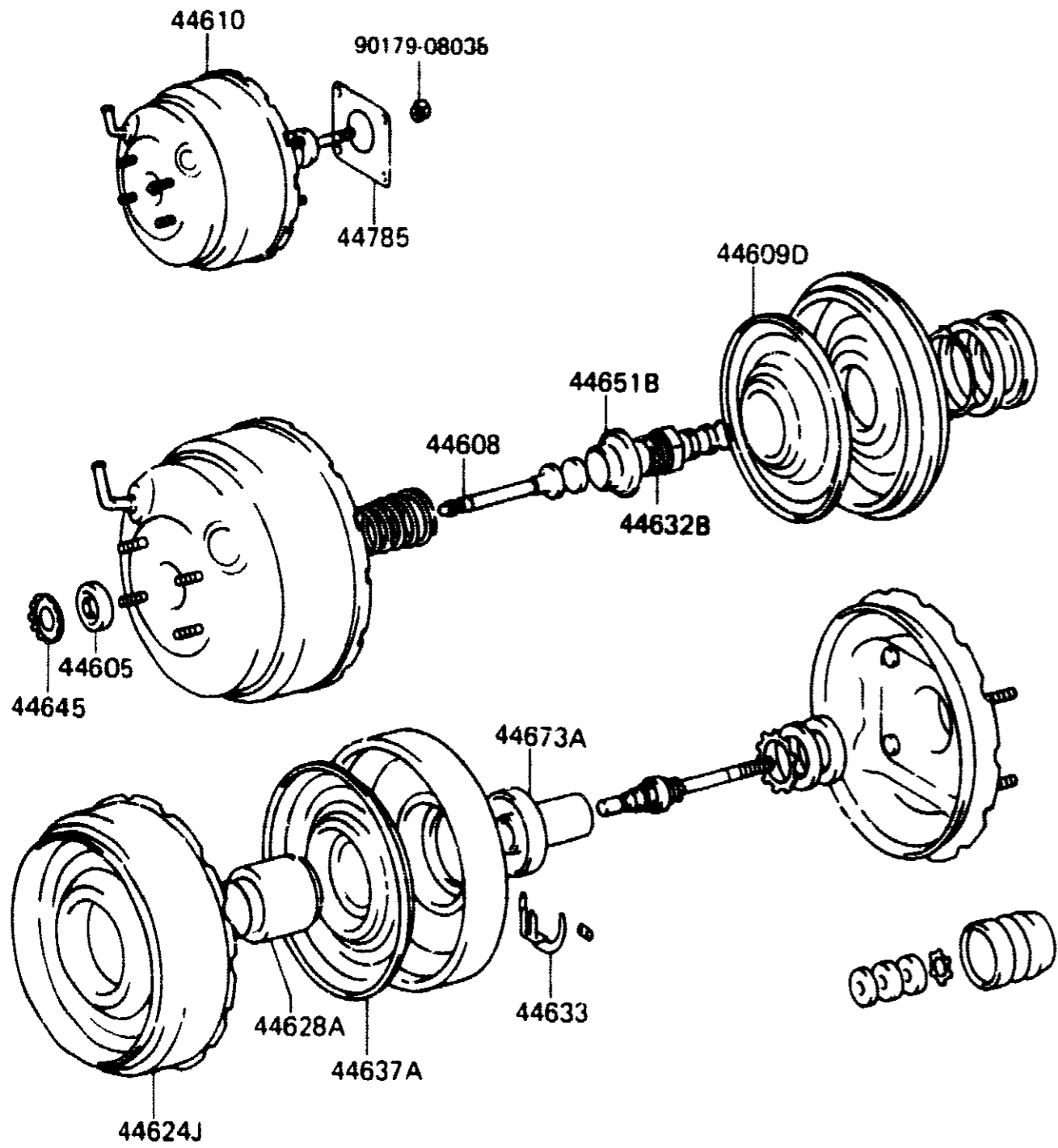
PROD. DATE	MODELS	DESCRIPTION	R / P	PART NUMBER	Q T Y.	REV. REF	
						F	T
8708-9001	FJ62	COVER SUB-ASSY, REAR AXLE HOUSING		42109-60050-	1		
8708-9001	FJ62	HOUSING ASSY, REAR AXLE		42110-60193-	1		
8708-9001	FJ62	W(DIFFERENTIAL LOCK)		42110-60301-	1		
8708-9001	FJ62	PLUG (FOR REAR AXLE HOUSING FILLER)		90341-18006-	1		
8708-9001	FJ62	GASKET (FOR REAR AXLE HOUSING FILLER PLUG)		12157-10010-	1		
8708-9001	FJ62	GASKET (FOR REAR AXLE HOUSING DRAIN PLUG)		12157-10010-	1		
8708-9001	FJ62	PLUG (FOR REAR AXLE HOUSING DRAIN)		90341-18057-	1		
8708-9001	FJ62	COLLAR, REAR AXLE HOUSING SIDE		42137-55010-	2		
8708-9001	FJ62	GASKET, REAR DIFFERENTIAL CARRIER		42181-36010-	1		
P 8708-9001	FJ62	W(DIFFERENTIAL LOCK)		42181-60030-	1		
8708-9001	FJ62	GASKET, REAR AXLE HOUSING COVER		42183-35010-	1		

PROD. DATE	MODELS	DESCRIPTION	R / P	PART NUMBER	Q T Y.	REV. REF	
						F	T
B 8911-9001	←-----→ 41231F CONTINUED FJ62..WGG	SPACER, FRONT DIFFERENTIAL DRIVE PINION BEARING		41231-60030-	1		
8708-9001	←-----→ 41252A FJ62	DEFLECTOR, DUST (FOR FRONT DIFFERENTIAL)		41252-35010-	1		
8708-9001	←-----→ 41301N FJ62	BEARING, TAPERED ROLLER (FOR FRONT AXLE DEFERENTIAL)		90366-60002-	2		
8708-9001	←-----→ 41301Q FJ62	WASHER (FOR FRONT DIFFERENTIAL TAPERED ROLLER BEARING)		90201-79001-	X		
8708-9001		T=2.67, MARK 01		90201-79002-	X		
8708-9001		T=2.70, MARK 02		90201-79003-	X		
8708-9001		T=2.73, MARK 03		90201-79004-	X		
8708-9001		T=2.76, MARK 04		90201-79005-	X		
8708-9001		T=2.79, MARK 05		90201-79006-	X		
8708-9001		T=2.82 MARK 06		90201-79007-	X		
8708-9001		T=2.85 MARK 07		90201-79008-	X		
8708-9001		T=2.88 MARK 08		90201-79009-	X		
8708-9001		T=2.91 MARK 09		90201-79010-	X		
8708-9001		T=2.94 MARK 10		90201-79011-	X		
8708-9001		T=2.97 MARK 11		90201-79012-	X		
8708-9001		T=3.00 MARK 12		90201-79013-	X		
8708-9001		T=3.03 MARK 13		90201-79014-	X		
8708-9001		T=3.06 MARK 14		90201-79015-	X		
8708-9001		T=3.09 MARK 15		90201-79016-	X		
8708-9001		T=3.12 MARK 16		90201-79017-	X		
8708-9001		T=3.15 MARK 17		90201-79018-	X		
8708-9001		T=3.18 MARK 18					

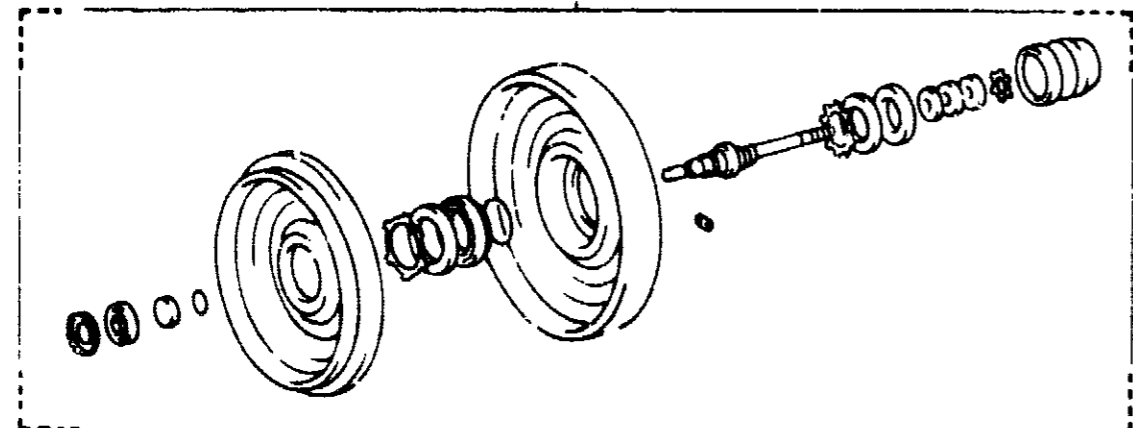
PROD. DATE	MODELS	DESCRIPTION	R / P	PART NUMBER	Q T Y.	REV. REF	
						F	T
8708-9001	←-----→ 41301Q CONTINUED FJ62	WASHER (FOR FRONT DIFFERENTIAL TAPERED ROLLER BEARING)		90201-79019-	X		
8708-9001		T=3.21 MARK 19		90201-79020-	X		
8708-9001		T=3.24 MARK 20		90201-79021-	X		
8708-9001		T=3.27 MARK 21		90201-79022-	X		
8708-9001		T=3.30 MARK 22		90201-79023-	X		
8708-9001		T=3.33 MARK 23					
8708-9001	←-----→ 41315A FJ62	NUT, FRONT DIFFERENTIAL BEARING ADJUSTING		41315-30010-	2		
8708-8808	←-----→ 41331F FJ62	GEAR, FRONT DIFFERENTIAL SIDE		41331-35020-	2		
8708-9001		W(DIFFERENTIAL LOCK)		41331-60020-	2		
B 8808-9001				41331-25010-	2		
8708-8808	←-----→ 41341F FJ62	PINION, FRONT DIFFERENTIAL		41341-55012-	2		
8708-9001		W(DIFFERENTIAL LOCK)			4		
B 8808-9001				41341-25010-	2		
B 8708-9001	←-----→ 41342F FJ62	SHAFT, FRONT DIFFERENTIAL PINION, NO. 1		41342-55010-	1		
8708-9001		L=136.0, W(DIFFERENTIAL LOCK)		41342-60010-	1		
8708-9001		L=60.5, W(DIFFERENTIAL LOCK)		41342-60020-	2		
P 8708-8911	←-----→ 41343B FJ62	PIN, FRONT DIFFERENTIAL PINION SHAFT		41343-55010-	1		

(8708-)

ILLUST.NO. 10F2



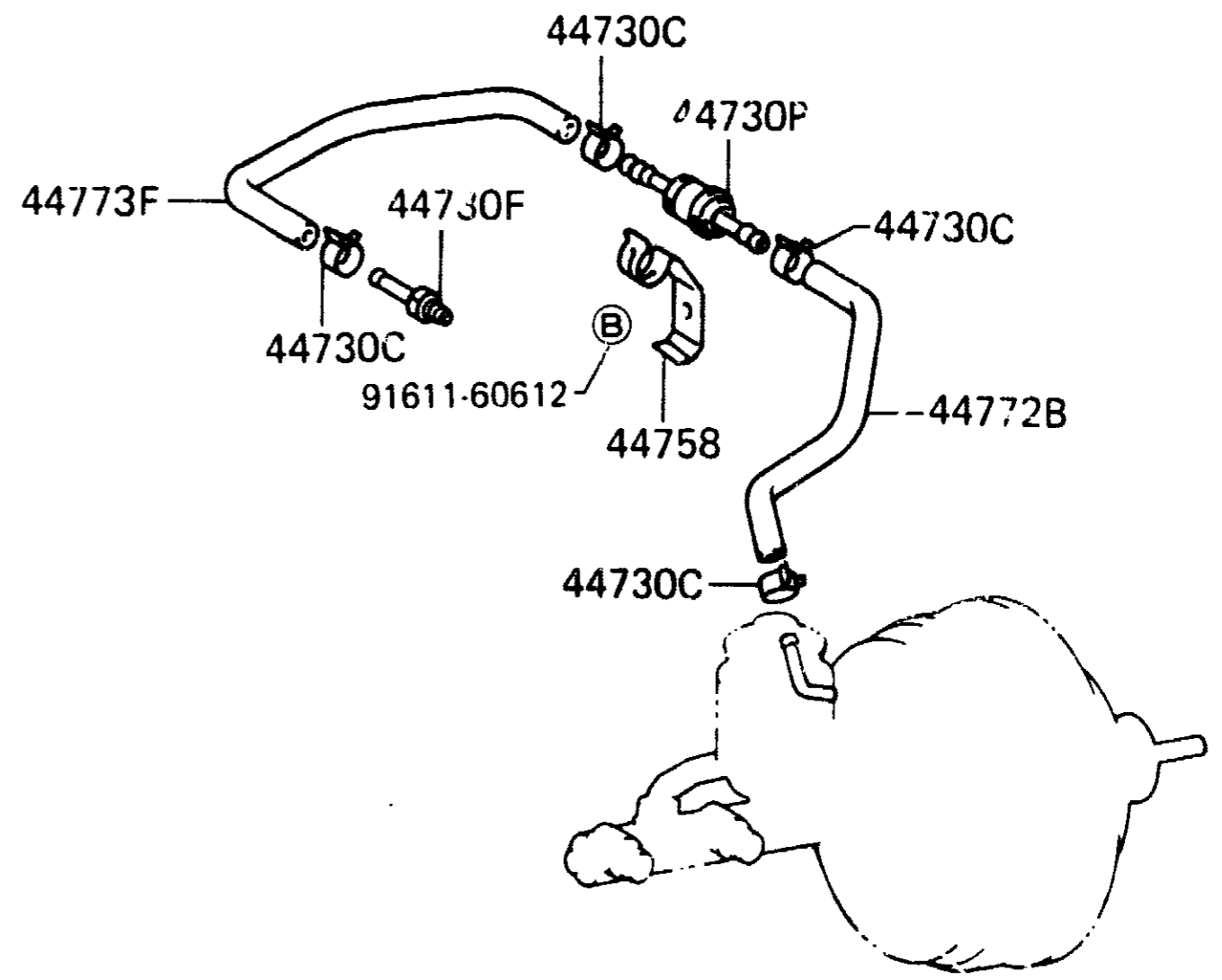
04443



MC E391 C

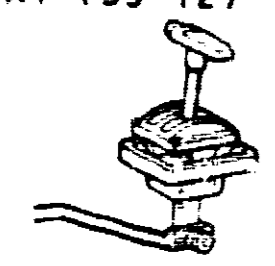
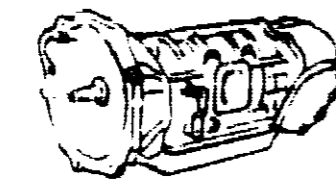
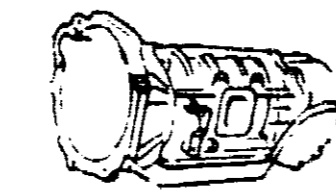


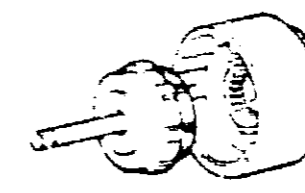

(8708-)

ILLUST.NO. 20F2

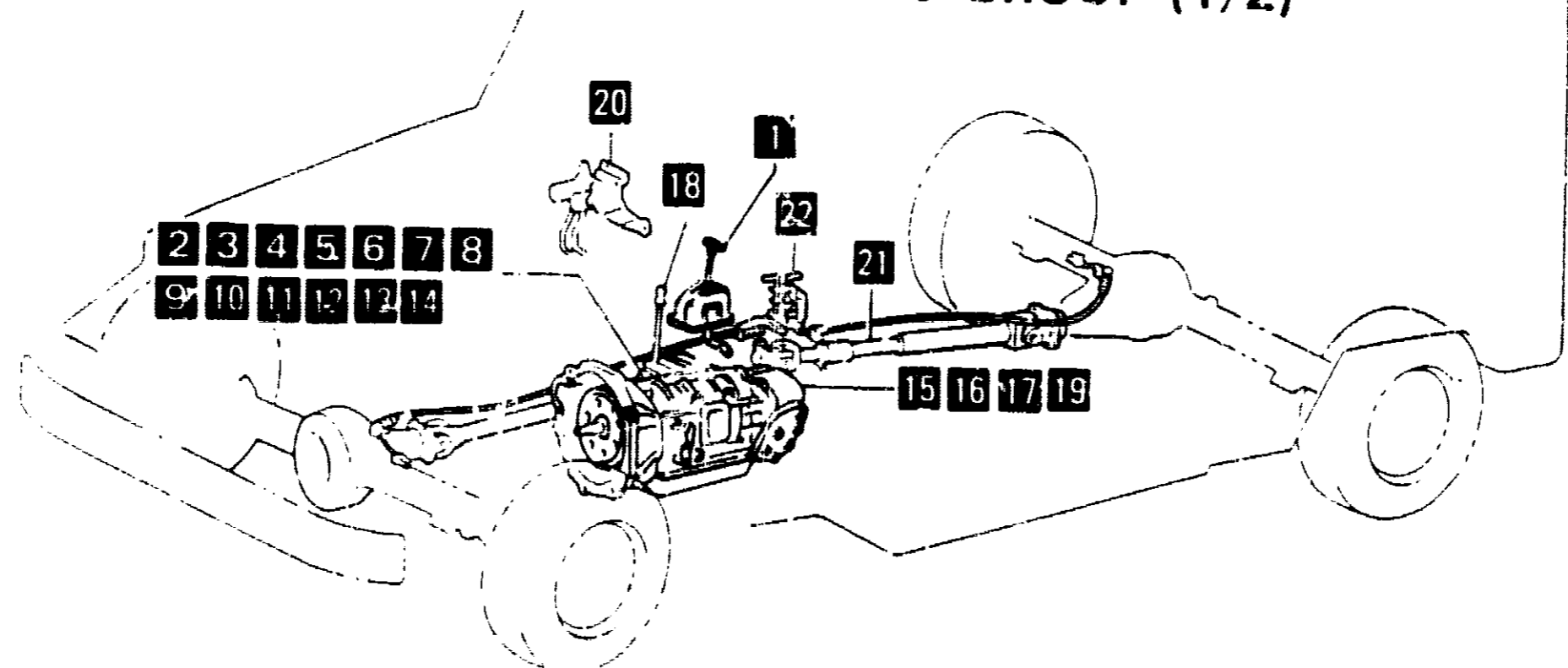



MC E392

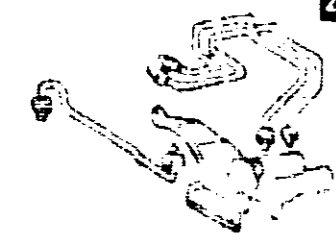
PART NUMBER	LOCATION	PART NUMBER	LOCATION	PART NUMBER	LOCATION	PART NUMBER	LOCATION	PART NUMBER	LOCATION	PART NUMBER	LOCATION
68111-90A01-	3J4	69310-90A02-	3L4	69971-90A01-	3B5	72510-90A03-	3G6	74404-90A00-	3L6	76608-69015-	3J3
68112-90A01-	3J4	-90A03-	3L4	69973-90A00-	3I5	72520-90A02-	3G6	74431-90A00-	3L6	76628-90A01-	3M2
68113-90A01-	3D5	69320-90A02-	3L4	69975-90A00-	3I5	P 72525-14010-13	3G6	74433-90A00-	3L6	77001-60220-	3J7
68114-90A01-	3D5	-90A03-	3L4	P 71071-90A35-03	3D6	P -14010-56	3G6	74451-90A00-	3L6	77030-90A01-	3J7
68123-90A01-	3D5	69330-90A00-	3F5	P -90A35-06	3D6	P 72526-14010-43	3G6	74559-12020-	3M6	77037-90K00-	3J7
68124-90A01-	3E5	-90A01-	3F5	P 71072-90A18-03	3D6	P -14010-56	3G6	-20030-	3M6	77169-14010-	1K4
68131-90A20-	3K5	69340-90A00-	3F5	P -90A18-06	3D6	72538-12010-	2B7	-20090-	3M6	77193-60031-	3J7
68141-90A03-	3K4	-90A01-	3F5	P 71073-90A44-03	3D6	P 72551-90A00-03	3G6	-60010-	3M6	77201-60150-	3J7
68142-90A01-	3E5	69350-90A03-	3M5	P -90A44-06	3D6	P -90A00-16	3G6	74564-60010-	3M6	77205-60140-	3J7
68143-90A01-	3K4	69380-90A01-	3M5	71075-90A18-03	3D6	P 72552-90A00-03	3G6	74571-28020-	3M6	77209-60041-	3J7
68170-90A01-	3K4	69390-90A00-	3M5	-90A18-06	3D6	P -90A00-16	3G6	74610-10020-18	3K6	77213-60030-	3J7
68188-90A00-	3E5	69410-90B00-	3G5	P 71077-90A41-03	3D6	72607-90A00-	3G6	-90K00-08	3K6	77244-60110-	3K7
68189-90A00-	3E5		3M4	P -90A41-06	3D6	72630-90A17-	3G6	74617-14010-18	3K6	77249-60040-	3J7
68190-90A01-	3E5	69430-90A01-	3M5	71301-90A00-	3D6	-90A20-	3G6	-16010-08	3K6	-60050-	3J7
68281-90A00-	3K5	69450-90A00-	3M5	71307-90A00-	3D6	72640-90A17-	3G6	74620-90A00-18	3K6	77250-60080-	3J7
68282-90A00-	3K5	69460-90A00-	3M5	71309-90A00-	3E6	-90A20-	3G6	P 74670-90A01-03	3K6	-60081-	3J7
68291-90A01-	3K5	69513-14010-	3A6	71354-90A00-	3E5	72645-90A00-	3G6	P -90A01-06	3K6	-60090-	3J7
68610-22010	3K4	-90A00-	3B6	P 71410-90A33-03	3E6	72651-90A00-	3G6	75330-90A00-	3C7	77261-60080-	3J7
68617-90A01-	3E5	69551-13020-	3B6	P -90A33-06	3E6	P 72660-90A00-03	3G6	75340-90A00-	3C7	77262-60030-	3J7
	3K4	-90A00-	3B6	P 71420-90A31-03	3E6	P -90A00-16	3G6	75370-90A02-	3C7	77264-60030-	3K7
68630-90A00-	3E5	69552-95A00-	3B6	P -90A31-06	3E6	72670-90A02-	3G6	75415-95660-	3M5	77293-60030-	3K7
68710-14020-	3A5	69563-90A00-	3B6	P 71430-90A39-03	3E6	72680-90A02-	3G6	75430-90K00-	3C7	77305-90A01-	3K7
-30080-	3H5	69581-14010-	3B6	P -90A39-06	3E6	P 72694-90A00-03	3G6	75442-90A01-	3C7	77310-12100-	3K7
68720-14020-	3A5	69681-20040-	3B6	P 71440-90A37-03	3E6	P -90A00-16	3G6	75505-90A00-	3D7	77316-12050-	3K7
-30020-	3H5	69690-90A01-	3M5	P -90A37-06	3E5	73003-90A00-03	3H6	75506-90000-	3E7	77358-12020-	3K7
68730-14020-	3A5	69705-90A00-	3M5	P 71460-90G12-03	3E6	-90A00-06	3H6	75531-90A00-	3D7	77366-12010-	3K7
	3H5	P 69706-90A00-03	3M5	P -90G12-06	3E6	73210-90A26-03	3H6	75533-90A00-	3D7	77601-60060-	3K7
68740-14020-	3A5	P -90A00-06	3M5	P 71480-90G28-03	3E6	-90A26-06	3H6	75534-90A00-	3D7	77602-60040-	3K7
	3H5	69711-90A00-	3M4	P -90G28-06	3E6	P -90A29-03	3H6	75535-90A00-	3D7	77740-60130-	3K7
68810-90A00-	3I5	69712-90A00-	3M4	71739-90A00-	3E6	P -90A29-06	3H6	75541-90A00-	3D7	77751-60020-	3K7
68868-90A00-	3L5	69713-90A00-	3G5	P 71825-90A00-03	3E6	73220-90A15-03	3H6	75543-90A00-	3D7	78111-95110-	3M7
68950-69045-	3M5	69714-90A00-	3G5	P -90A00-16	3E6	-90A15-06	3H6	75553-90A00-	3E7	78118-90K00-	3M7
68961-23010-	3M5	69722-90A00-	3M5	P 71826-90A00-03	3E6	P -90A17-03	3H6	75554-90A00-	3E7	78120-90A08-	3M7
69005-90A47-	3A6	69736-90K00-	3G5	P -90A00-16	3E6	P -90A17-06	3H6	75575-90A00-	3E7	-90A09-	3M7
-90A62-	3A6		3M4	P 71827-90A00-03	3E6	P -90A17-13	3H6	75583-90A00-	3E7	78180-90A04-	3M7
69051-90A06-	3A6	P 69741-90K00-06	3G5	P -90A00-16	3E6	P -90A17-13	3H6	75586-90A00-	3E7	78184-90A01-	3M7
69052-90A06-	3A6		3M4	P 71828-90A00-03	3E6	P -90A20-03	3H6	75596-90A00-	3E7	-90A03-	3M7
69055-90A06-	3A6	69747-20020-01	3M5	P -90A00-16	3E6	P -90A20-06	3H6	75631-90A01-	3M3	78410-90A03-	3M7
-90A11-	3A6	69749-12010-	3G5	P -90A00-16	3E6	73330-90A04-13	3I6	75641-90A00-	3E7	-90A08-	3M7
69056-90A01-	3A6		3L1	P 71835-90A00-03	3F6	-90A04-16	3I6	75642-90A00-	3E7	78471-90A00-	3M7
69057-90A08-	3A6		3M4	P -90A00-16	3F6	-90A05-13	3I6	75645-90A00-	3E7	81105-90A27-	3A8
69058-90A02-	3A6	-30020-	3M5	P -90A00-16	3F6	-90A05-16	3I6	75646-90A00-	3E7	81106-90A27-	3A8
69205-20020-	3F5	69751-20040-	3E5	P -90A00-16	3F6	-90A37-03	3I6	75710-90A02-	3E7	81110-90A28-	3A8
	3L4		3K4	P -90A00-16	3F6	-90A37-06	3I6	75720-90A02-	3E7	81111-20360-	3A8
69206-20020-	3F5	69759-30021-	3G5	P -90A01-06	3F6	P -90A46-03	3I6	75730-90A01-	3E7		3B8
	3L4		3M4	P 71837-90A01-03	3F6	P -90A46-06	3I6	75740-90A01-	3E7	81113-90BC4-	3A8
69210-90A00-	3L4	69764-90A00-	3M5	71887-90A00-	3F6	P 73360-90A40-03	3I6	75751-90A00-	3E7	81114-22391-	3B0
69212-90A00-	3M5	69767-90A00-	3M5	P 71910-90A01-03	3F6	P -90A40-06	3I6	75752-90A00-	3E7	81121-14520-	3A8
69220-90A00-	3L4	69770-90A02-	3G5	P -90A01-16	3F6	P 73380-90A20-03	3I6	75755-90A00-	3F	81131-28050-	3A8
69230-90A00-	3F5	-90A03-	3G5	71930-10060-33	3F6	P -90A20-06	3I6	75756-90A00-	3F	81150-90A28-	3B8
69240-90A00-	3F5	69780-90A02-	3G5	P -10060-36	3F6	74102-90A01-	3A7	75761-90A00-	3F7	81153-90B04-	3B8
69260-12010-03	3A5	-90A03-	3G5	71931-10010-33	3F6	74104-90A01-	3A7	75762-90A00-	3F7	81154-22391-	3A8
	3H5	69801-90A00-	3A5	-10010-36	3F6	P 74105-10010-10	3A7	75763-90A00-	3F7	81240-22070-08	3J8
-12010-46	3A5	69802-90A00-	3A5	71955-90K00-01	3F6	-10010-13	3A7	75764-90A00-	3F7	-95A16-	3J8
	3H5	69803-90A00-	3H5	71956-30020-13	3F6	74135-10030-	3A7	75765-90A00-	3F7	P 81241-20060-	3J8
69273-30020-	3F5	69804-90A00-	3H5	-30020-56	3F6	74137-10030-	3A7	75766-90A00-	3F7	P 81260-22030-	3J8
	3L4	69810-90A02-	3A5	71990-30020-13	3F6	P 74250-90A00-03	3K6	75812-90100-	3E7	P 81270-95A07-	3H8
69277-16040-23	3F5	69820-90A02-	3A5	-30020-56	3F6	P -90A00-16	3K6	75813-90A00-	3E7	P 81271-13070-	3H8
	3L4	69830-90A01-	3H5	72110-90A04-	3F6	P 74310-90A28-08	3K6	75850-69015-	3F7	P 81272-13070-	3H8
-16040-36	3F5	69840-90A01-	3H5	72120-90A04-	3F6	P -90A52-08	3K6	75861-69015-	3F7	P 81274-95A00-	3H8
	3L4	69901-90A03-	3B5	72130-90A03-	3F6	P 74320-90A25-08	3K6	75907-20020-	3F7	P 81510-90A13-	3C8
69285-22010-08	3A5	69902-90A02-	3B5	72140-90A00-	3F6	P -90A42-08	3K6	76003-69015-	3K1	P 81511-90A13-	3C8
	3H5	69905-90A03-	3I5	72145-90A00-	3F6	P 74348-12010-18	3K6	76004-69015-	3K1	P 81515-90A13-	3C8
69289-90A00-	3M5	69906-90A03-	3I5	72146-90A00-	3G6	P 74372-90A00-	3C11	76607-69015-	3J3	P 81520-90A13-	3C8


<p>2A1 (33-12) 1</p>  <p>Shift Lever & Retainer</p>	<p>2D1 (35-01) 2</p>  <p>Transmission Assy</p>	<p>2G1 (35-03) 3</p>  <p>Transmission Case</p>	<p>2J1 (35-05) 4</p>  <p>Speedometer Driven Gear</p>	<p>2E1 (35-02) 5</p>  <p>Torque Converter & Chain</p>	<p>2K1 (35-06) 6</p>  <p>Overdrive Gear</p>	<p>2A2 (35-07) 7</p>  <p>Multiple Disc Clutch</p>
---	--	---	--	---	---	---


POWER TRAIN-CHASSIS GROUP (1/2)

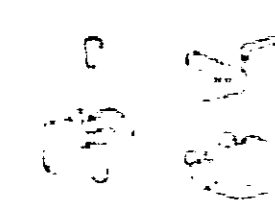


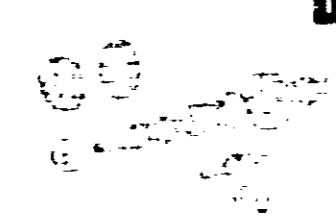
<p>2K4 (37-01) 21</p>  <p>Propeller Shaft</p>


<p>2J4 (36-16) 20</p>  <p>Vacuum Shift Valve</p>
--


<p>2H4 (36-12) 19</p>  <p>Diaphragm Cylinder</p>
--

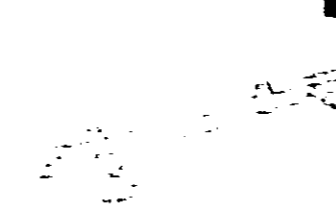
<p>2M5 (42-01) 22</p>  <p>Differential Lock Control</p>

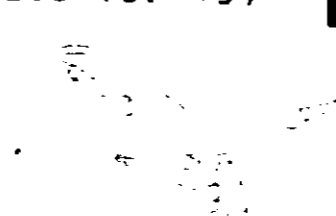
<p>2F4 (36-11) 18</p>  <p>Transfer Lever</p>
--

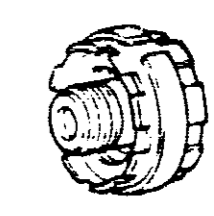
<p>2C4 (36-10) 17</p>  <p>Transfer Gear</p>

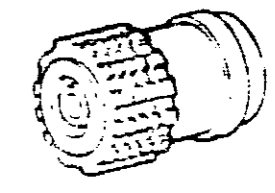
<p>2A4 (36-09) 16</p>  <p>Transfer Case</p>
--

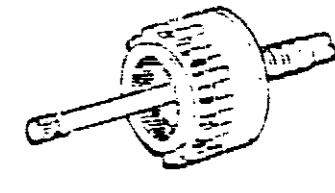
<p>2M3 (36-08) 15</p>  <p>Transfer Assy</p>


<p>2Y3 (35-14) 14</p>  <p>Oil Cooler & Tube</p>

<p>2I3 (35-13) 13</p>  <p>Throttle Link</p>

<p>2D2 (35-08) 8</p>  <p>Planetary Sun Gear</p>

<p>2F2 (35-09) 9</p>  <p>Brake No. 3</p>

<p>2G2 (35-10) 10</p>  <p>Planetary Gear</p>
--

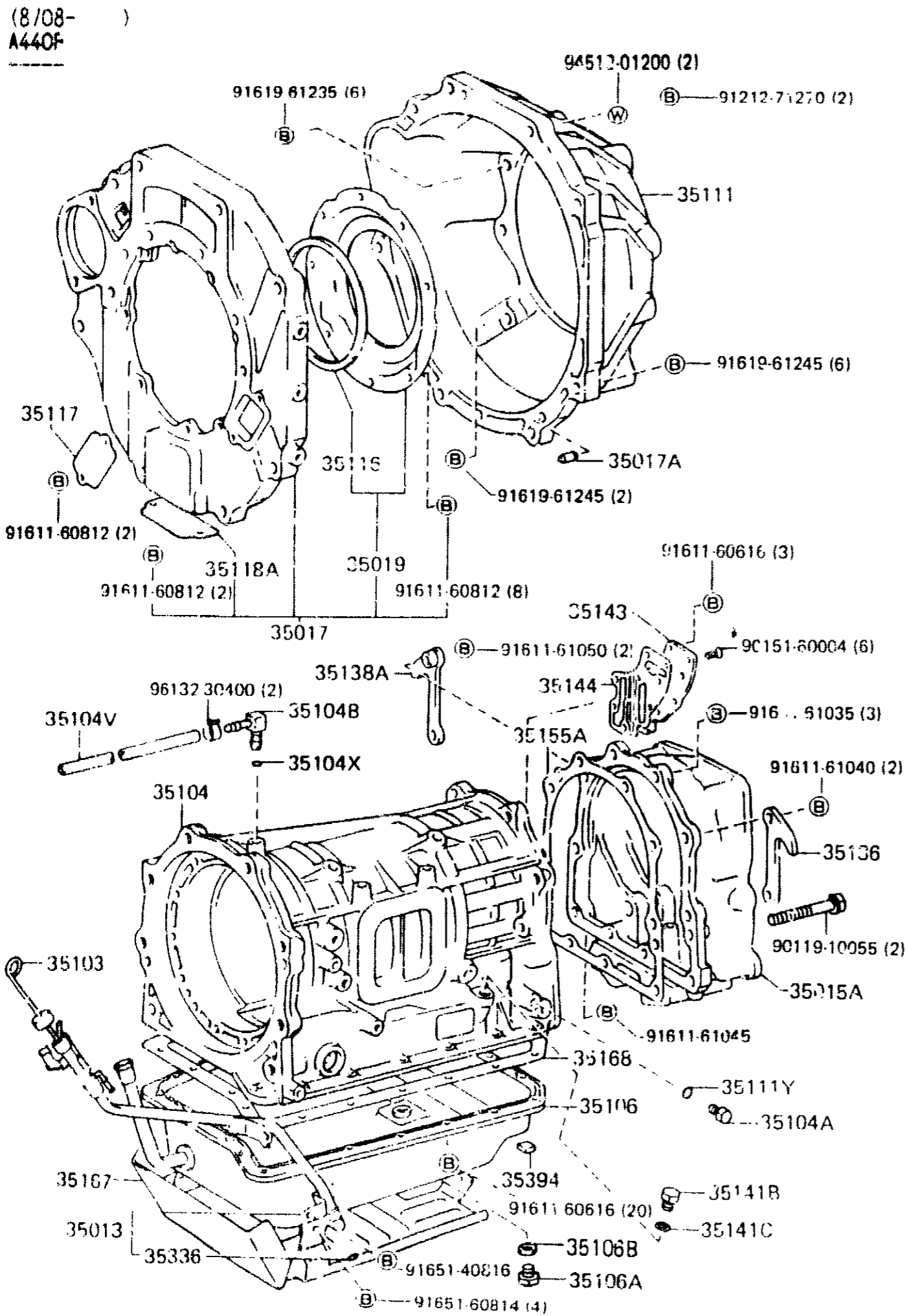
<p>2I2 (35-11) 11</p>  <p>Governor</p>
--

<p>2K2 (35-12) 12</p>  <p>Valve Body</p>
--

FIG. 35-03 TRANSMISSION CASE & OIL PAN (ATM)

2G1

791430M-01125

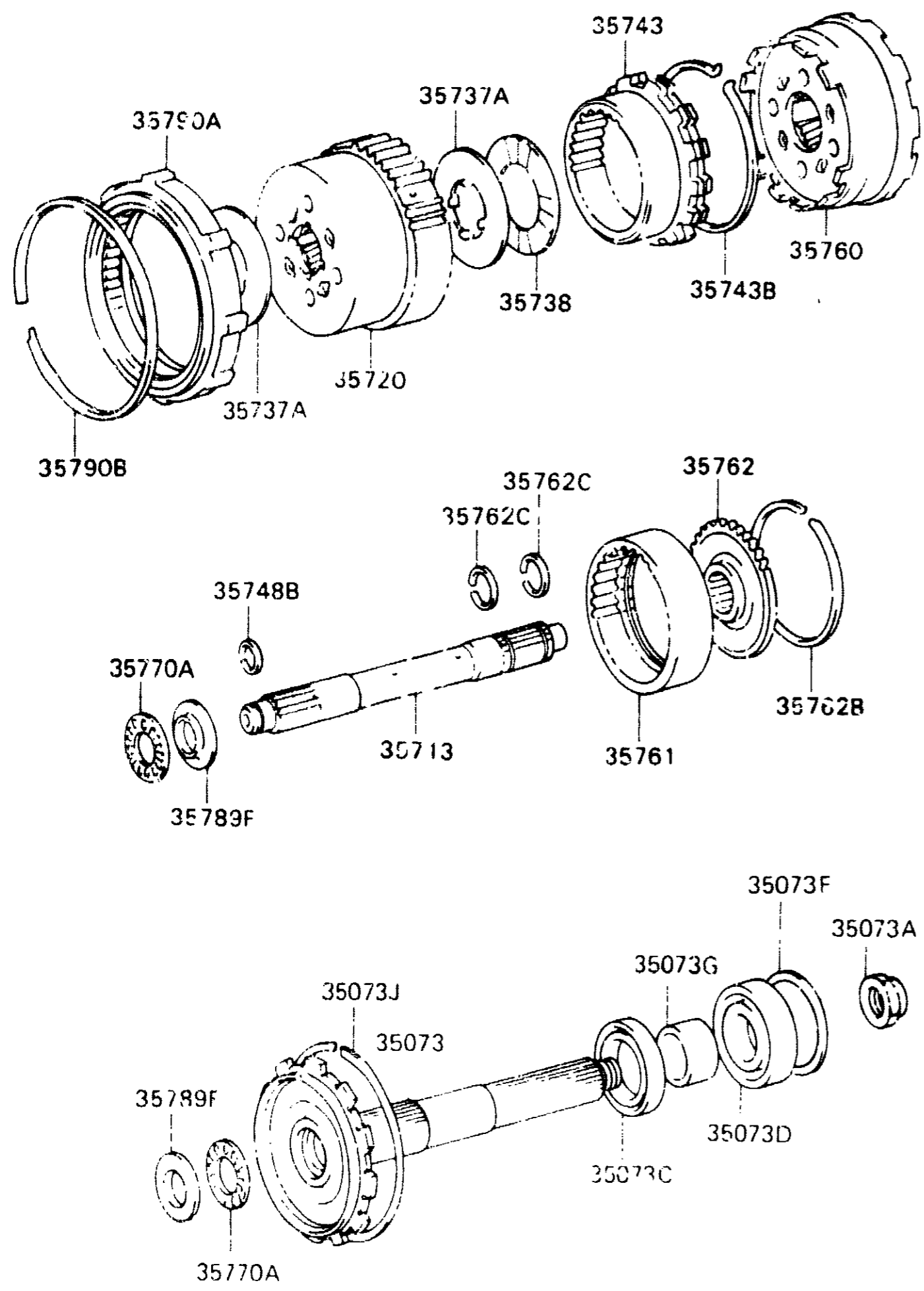


MC F548

PRCD. DATE	MODELS	DESCRIPTION	R / P	PART NUMBER	QTY.	REV. REF.	
						F	T
8708-9001	FJ62	TUBE SUB-ASSY, TRANSMISSION OIL FILLER		35013-60011-	1		
8708-8712	FJ62	ADAPTER SUB-ASSY, TRANSMISSION CASE, REAR		35015-60010-	1		
8712-9001	FJ62			35015-60011-	1		
8708-9001	FJ62	ADAPTOR SUB-ASSY, TRANSMISSION HOUSING, FRONT		35017-60010-	1		
8708-9001	FJ62	PIN, STRAIGHT (FOR TRANSMISSION HOUSING ADAPTOR, FRONT) L=22, OD=10		90250-10192-	2		
8708-9001	FJ62	COVER SUB-ASSY, TRANSMISSION CASE DUST		35019-60010-	1		
8708-8803	FJ62	GAGE SUB-ASSY, TRANSMISSION OIL LEVEL		35103-60011-	1		
8803-9001	FJ62			35103-60012-	1		
P 8708-8909	FJ62	CASE SUB-ASSY, AUTOMATIC TRANSMISSION		35104-60010-	1		
N 8909-9001	FJ62..WGG			35104-60011-	1		
F 8708-8909	FJ62	PLUG, AUTOMATIC TRANSMISSION CASE		90341-08001-	6		
B 8909-9001	FJ62..WGG				7		
8708-9001	FJ62	PLUG, BREATHER, NO.1 (ATM)		90930-03094-	1		

FIG. 35-10 PLANETARY GEAR, REVERSE PISTON & COUNTER GEAR(ATM)

(8708-
A440F)



PROD. DATE	MODELS	DESCRIPTION	R / P	PART NUMBER	QTY.	REV. REF	
						F	T
8708-9001	FJ62	SHAFT SUB-ASSY, OUTPUT		35073-60010-	1		
8708-9001	FJ62	NUT (FOR OUTPUT SHAFT)		90179-26004-	1		
8708-9001	FJ62	BEARING, RADIAL BALL (FOR OUTPUT SHAFT FRONT)		90363-45008-	1		
8708-9001	FJ62	BEARING, RADIAL BALL (FOR OUTPUT SHAFT REAR)		90363-35022-	1		
8708-9001	FJ62	SPACER (FOR OUTPUT SHAFT REAR BEARING)		90560-72001-	1		
8708-9001	FJ62	T=2.3		90560-72002-	1		
8708-9001	FJ62	T=2.4		90560-72003-	1		
8708-9001	FJ62	T=2.5		90560-35009-	1		
8708-9001	FJ62	SPACER (FOR OUTPUT SHAFT)		90560-35009-	1		
8708-9001	FJ62	RING, HOLE SNAP (FOR OUTPUT SHAFT)		90521-99042-	1		
8708-9001	FJ62	SHAFT, INTERMEDIATE		35713-36011-	1		
8708-9001	FJ62	GEAR ASSY, FRONT PLANETARY		35720-60010-	1		
8708-9001	FJ62	WASHER, PLANETARY CARRIER THRUST, NO.1		35737-36010-	2		

MC E263

PROD. DATE	MODELS	DESCRIPTION	R / P	PART NUMBER	Q T Y.	REV. REF	
						F	T
8708-9001	FJ62	35488A SPRING, COMPRESSION (FOR 2-3 SHIFT TIMING VALVE)		90501-10126-	1		
8708-9001	FJ62	35489 VALVE, 3-2 KICK DOWN ORIFICE CONTROL		35489-36010-	1		
8708-9001	FJ62	35489A SPRING (FOR 3-2 KICK DOWN ORIFICE CONTROL VALVE)		90501-08075	1		
8708-9001	FJ62	35489F KEY, STRAIGHT (FOR 3-2 KICK DOWN ORIFICE CONTROL VALVE)		90282-03007-	1		
8708-9001	FJ62	35489G PLUG (FOR 3-2 KICK DOWN ORIFICE CONTROL VALVE)		90339-04017-	1		
8708-9001	FJ62	35491A VALVE, ACCUMULATOR CONTROL, NO.1		35491-36010-	1		
8708-9001	FJ62	35491B SPRING, COMPRESSION (FOR ACCUMULATOR CONTROL VALVE NO.1)		90501-12083-	1		
8708-9001	FJ62	35491C KEY, STRAIGHT (FOR ACCUMULATOR CONTROL VALVE NO.1)		90282-03007-	1		
8708-9001	FJ62	35491D PLUG (FOR ACCUMULATOR CONTROL VALVE NO.1)		90339-04016-	1		
8708-9001	FJ62	35492A VALVE, MANUAL DOWN TIMING		35492-36010-	1		

PROD. DATE	MODELS	DESCRIPTION	R / P	PART NUMBER	Q T Y.	REV. REF	
						F	T
8708-9001	FJ62	35492B PLUG (FOR MANUAL DOWN TIMING VALVE)		90339-06008-	1		
8708-9001	FJ62	35492D KEY, STRAIGHT (FOR MANUAL DOWN TIMING VALVE)		90282-03006-	1		
8708-9001	F. 62	35497 VALVE, 3-4 SHIFT		35497-36010-	1		
8708-9001	F. 62	35497A SPRING, COMPRESSION (FOR 3-4 SHIFT VALVE)		90501-10099-	1		
8708-9001	F. 62	35497C PLUG (FOR 3-4 SHIFT VALVE)		90339-05009-	1		
8708-9001	FJ62	35498 VALVE, 3-4 COAST SHIFT		35498-36010-	1		
8708-9001	FJ62	35499A PIN, STRAIGHT (FOR 3-4 SHIFT VALVE)		90282-03006-	1		
8708-9001	FJ62	35560 CAM ASSY, THROTTLE VALVE		35560-36011-	1		
8708-9001	FJ62	35560A SHIM (FOR THROTTLE VALVE CAM)		90564-06002-	X		
8708-9001	FJ62	35589 SPACER, MANUAL DITENT SPRING		35589-36010-	1		

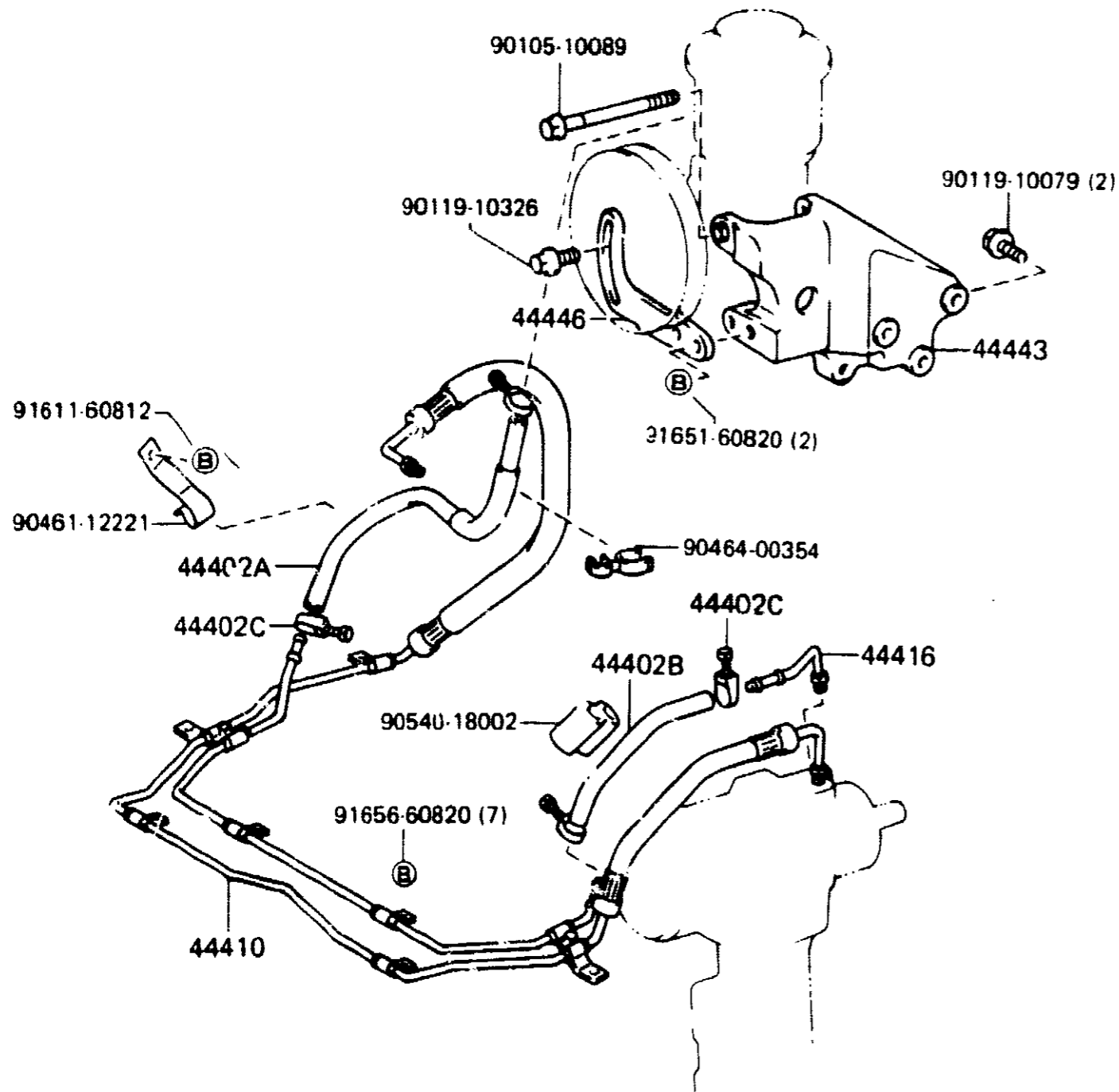
PROD. DATE	MODELS	DESCRIPTION	R / P	PART NUMBER	Q T Y.	REV. REF	
						F	T
8708-9001	FJ62	SHAFT, TRANSFER FRONT DRIVE SHIFT		36313-60070-	1		
8706-9001	FJ62	SPRING, COMPRESSION (FOR TRANSFER FR DRIVE SHIFT SHAFT)		90501-29003-	1		
8708-9001	FJ62	SHAFT, TRANSFER HIGH AND LOW SHIFT FORK		36314-60040-	1		
8708-9001	FJ62	BUSH, TRANSFER SHIFT LEVER		36324-60050-	2		
8708-9001	FJ62	SHAFT, TRANSFER SHIFT LEVER		36327-60031-	1		
8706-9001	FJ62	CLEVIS, TRANSFER SHIFT ROD		36338-60030-	1		
8708-9001	FJ62	SPACER (FOR HIGH & LOW SHIFT ROD)		90560-10406-	1		
8708-9001	FJ62	PIN (FOR HIGH & LOW SHIFT ROD)		90240-10157-	1		
8708-9001	FJ62	PIN (FOR HIGH & LOW SHIFT ROD)		90240-08128-	1		
8708-9001	FJ62	GROMMET (FOR HIGH & LOW SHIFT ROD)		90460-17401-	1		

PROD. DATE	MODELS	DESCRIPTION	R / P	PART NUMBER	Q T Y.	REV. REF	
						F	T
8708-9001	FJ62	LEVER ASSY, TRANSFER HIGH & LOW SHIFT		36360-60220-	1		
8708-9001	FJ62	LEVER, TRANSFER HIGH AND LOW SHIFT OUTER		36362-60020-	1		

PROD. DATE	MODELS	DESCRIPTION	R / P	PART NUMBER	Q T Y.	REV. REF	
						F	T
B 8911-9001	CONTINUED FJ62..WGG	PIN, FRONT DIFFERENTIAL PINION SHAFT		41343-60030-	1		
8708-8808	FJ62	WASHER, FRONT DIFFERENTIAL PINION THRUST		41351-35011-	2		
8708-9001	FJ62	W(DIFFERENTIAL LOCK)			4		
B 8808-9001	FJ62..WGG			41351-25010-	2		
B 8708-9001	FJ62	LOCK, FRONT DIFFERENTIAL BEARING ADJUSTING NUT		41316-30010-	1		
8708-9001	FJ62	WASHER, FRONT DIFFERENTIAL SIDE GEAR THRUST, NO. 1		41361-60010-	2		
8708-9001	FJ62	T=1.75		41361-60020-	2		
8708-9001	FJ62	T=1.90		41361-60030-	2		
8708-9001	FJ62	T=2.05		41361-60040-	2		
8708-9001	FJ62	HOLDER, FRONT DIFFERENTIAL PINION SHAFT		41375-60010-	1		
8708-9001	FJ62	FORK, FRONT DIFFERENTIAL LOCK SHIFT		41451-60010-	1		
P 8708-8912	FJ62	SLEEVE, FRONT DIFFERENTIAL LOCK		41453-60010-	1		
S 8912-9001	FJ62..WGG			41453-60011-	1		
8708-9001	FJ62	COVER, FRONT DIFFERENTIAL LOCK		41456-60010-	1		

PROD. DATE	MODELS	DESCRIPTION	R / P	PART NUMBER	Q T Y.	REV. REF	
						F	T
8708-9001	FJ62	CYLINDER ASSY, FRONT DIFFERENTIAL LOCK		41460-60010-	1		
8708-9001	FJ62	BALL (FOR FRONT DIFFERENTIAL LOCK CYLINDER)		90360-10003-	1		
8708-9001	FJ62	RING, O (FOR FRONT DIFFERENTIAL LOCK CYLINDER)		96711-24023-	1		
8708-9001	FJ62	BOLT, (FOR FRONT DIFFERENTIAL LOCK CYLINDER SET)		90105-08114-	4		
8708-9001	FJ62	BOLT (FOR FRONT DIFFERENTIAL LOCK SHIFT FORK SHAFT SET)		90105-06052-	1		
8708-9001	FJ62	LEVER, FRONT DIFFERENTIAL LOCK CYLINDER		41464-60010-	1		
8708-9001	FJ62	BUSH (FOR FRONT DIFFERENTIAL LOCK CYLINDER)		90386-09009-	4		
8708-9001	FJ62	RETAINER, FRONT DIFFERENTIAL LOCK SPRING		41465-60010-	1		
8708-9001	FJ62	PLUG, (FOR FRONT DIFFERENTIAL LOCK CYLINDER)		90341-26001-	1		
8708-9001	FJ62	GASKET (FOR FRONT DIFFERENTIAL LOCK CYLINDER)		90430-26002-	1		

(6708-)



MC E389-D

PROD. DATE	MODELS	DESCRIPTION	R / P	PART NUMBER	QTY.	REV. REF	
						F	T
8708-9001	FJ62	HOSE, POWER STEERING OIL COOLER INLET		90445-18090-	1		
8708-9001	FJ62	HOSE, POWER STEERING OIL COOLER OUTLET		90445-18089-	1		
8708-9001	FJ62	CLAMP, POWER STEERING OIL COOLER INLET HOSE		90460-01001-	4		
8708-9001	FJ62	TUBE ASSY, PRESSURE FEED		44410-60170-	1		
8708-9001	FJ62	TUBE, RETURN (FOR STEERING GEAR OUTLET)		44416-60061-	1		
8708-9001	FJ62	BRACKET, PUMP		44443-60050-	1		
8708-9001	FJ62	STRUT, ADJUSTING		44446-60020-	1		

PROD. DATE	MODELS	DESCRIPTION	R / P	PART NUMBER	Q T Y.	REV. REF	
						F	T
8708-9001	↔ 04443 ↔ FJ62	BOOSTER KIT, BRAKE		04443-60330-	1		
8708-9001	↔ 44605 ↔ FJ62	PLATE & SEAL SUB-ASSY, BOOSTER		44605-30350-	1		
8708-9001	↔ 44608 ↔ FJ62	PUSH ROD SUB-ASSY, BOOSTER		44608-17090-	1		
8708-9001	↔ 44609D ↔ FJ62	PLATE & RETAINER SUB-ASSY, BOOSTER		44609-17090-	1		
8708-9001	↔ 44610 ↔ FJ62	BOOSTER ASSY, BRAKE		44610-60530-	1		
8708-9001	↔ 44624J ↔ FJ62	PLATE, BOOSTER CENTER		44624-20810-	1		
8708-9001	↔ 44628A ↔ FJ62	BODY, BOOSTER CENTER		44628-20810-	1		
8708-9001	↔ 44632B ↔ FJ62	HUB, BOOSTER REACTION DISK		44632-27290-	1		
8708-9001	↔ 44633 ↔ FJ62	KEY, BOOSTER VALVE PLUNGER		44633-20811-	1		
8708-9001	↔ 44637A ↔ FJ62	PLATE, BOOSTER DIAPHRAGM		44637-20810-	1		

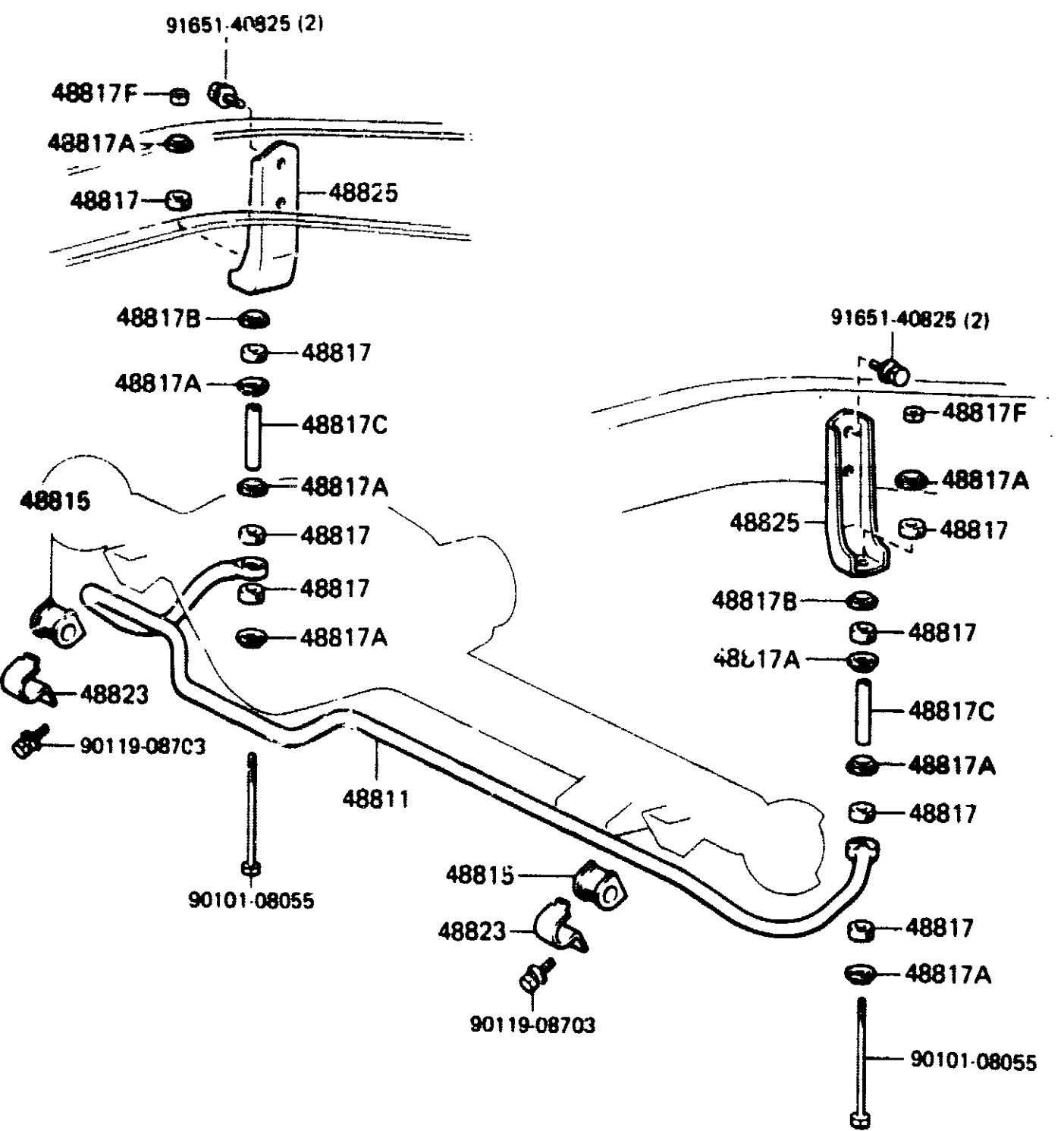
PROD. DATE	MODELS	DESCRIPTION	R / P	PART NUMBER	Q T Y.	REV. REF	
						F	T
8708-9001	↔ 44645 ↔ FJ62	RETAINER, BOOSTER PUSH ROD SEAL		44645-10080-	1		
8708-9001	↔ 44651B ↔ FJ62	NUT, BOOSTER		44651-20810-	1		
8708-9001	↔ 44673A ↔ FJ62	BODY, BOOSTER VALVE		44673-20810-	1		
8708-9001	↔ 44730C ↔ FJ62	CLIP (FOR VACUUM HOSE)		90467-16002-	4		
8708-9001	↔ 44730F ↔ FJ62	UNION, VACUUM HOSE (FOR MANIFOLD SIDE)		90404-51319-	1		
8708-9001	↔ 44730P ↔ FJ62	VALVE ASSY, VACUUM CHECK, NO. 1		44730-24020-	1		
8708-9001	↔ 44758 ↔ FJ62	BRACKET, VACUUM CHECK VALVE		44758-60030-	1		
8708-9001	↔ 44772B ↔ FJ62	HOSE, CHECK VALVE TO BRAKE BOOSTER		44772-60050-	1		
8708-9001	↔ 44773F ↔ FJ62	HOSE, UNION TO CHECK VALVE		44773-60030-	1		
8708-9001	↔ 44785 ↔ FJ62	GASKET, BRAKE BOOSTER		44785-35020-	1		

(8708-) WGG

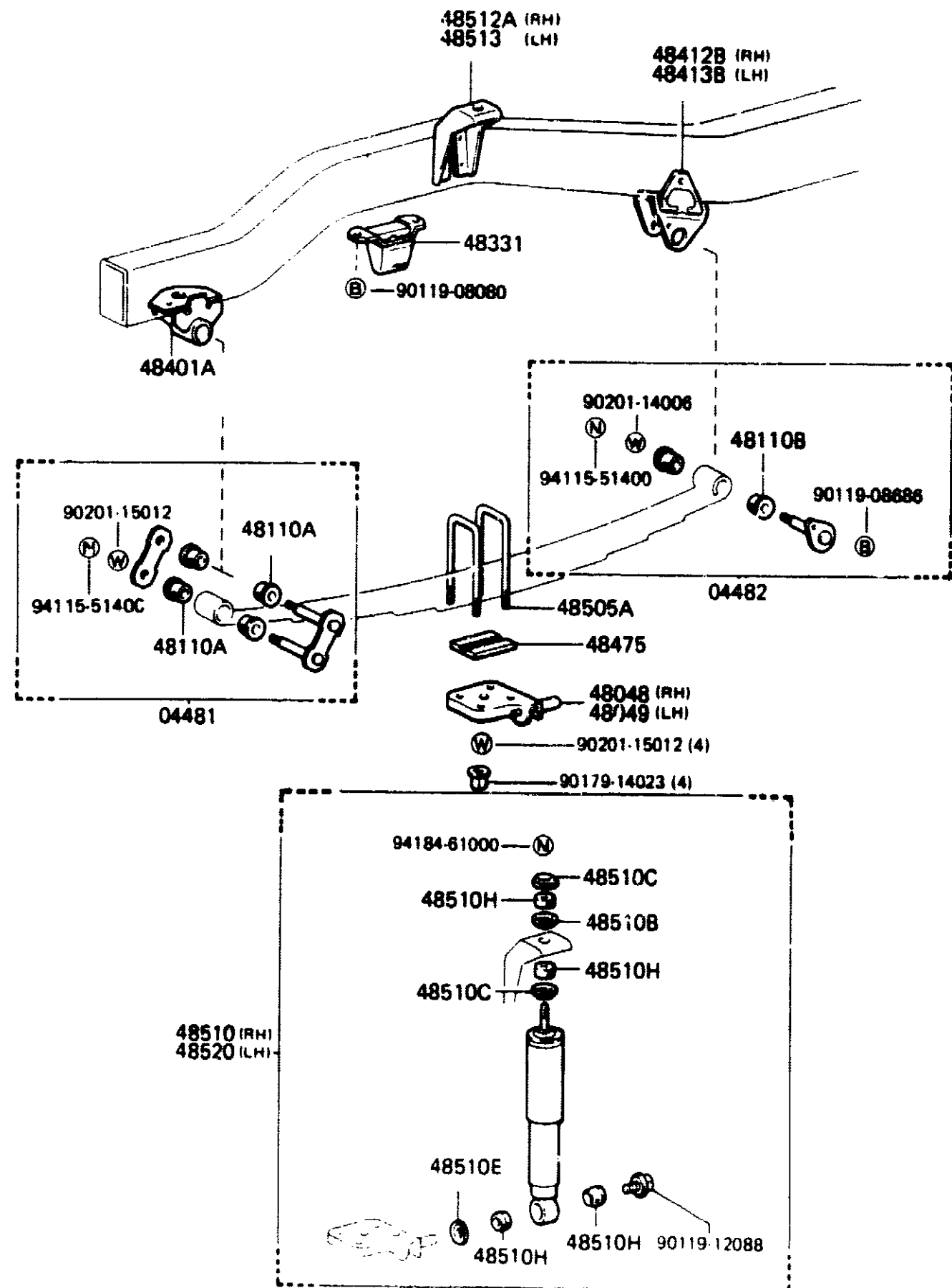
ILLUST.NO. 10F3

(8708-)

ILLUST.NO. 20F3

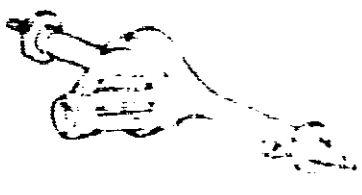



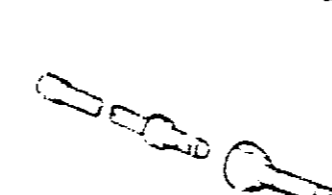

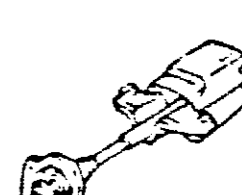
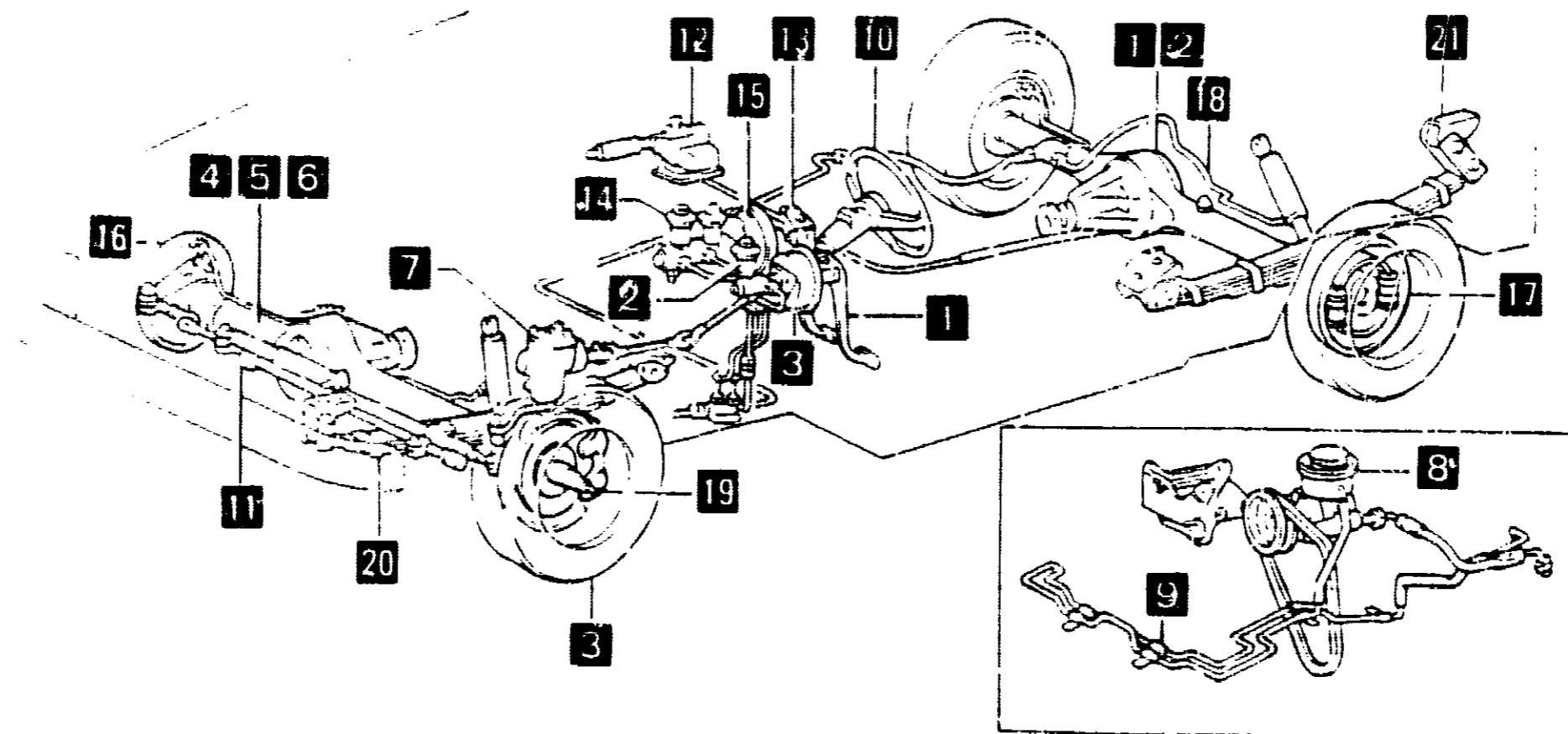
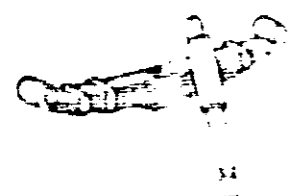
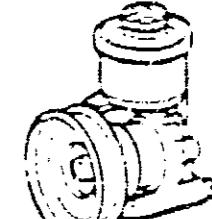
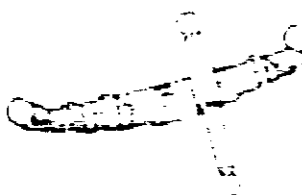
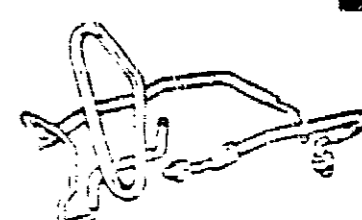







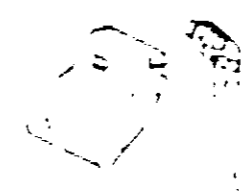
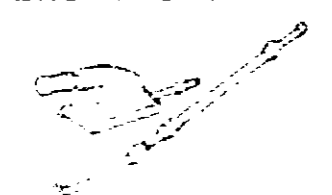


MC E328-C



MC E329-D

PART NUMBER	LOCATION	PART NUMBER	LOCATION	PART NUMBER	LOCATION	PART NUMBER	LOCATION	PART NUMBER	LOCATION	PART NUMBER	LOCATION
P 81521-90A13-	3C8	82181-90A00-	3A9	84722-60070-	3J9	85450-90A04-	3I10	87130-90A01-	3F11	P 88375-20010-	3C12
P 81550-90A11-	3F8	82182-90A02-	3A9	P 84730-90A00-	3J9	-90A06-	3I10	87136-22030-	3F11	P -30270-	3C12
P 81551-90A0J-	3F8	82183-90A01-	3A9	N -90A02-	3J9	85460-90A02-	3I10	-90K02-	3F11	P 88376-22010-	3C12
P 81552-90A00-	3F8	82184-90A03-	3A9	84732-90A00-	3J9	85470-90A02-	3I10	87150-90A14-	3F11	P -22020-	3C12
P 81554-90A12-	3F8	82185-90A05-	3A9	84760-90A01-	3J9	85480-90A02-	3I10	87201-90A02-	3J11	88403-12030-	3C12
P 81557-90A00-	3F8	82187-90A00-	3A9	84790-90A07-	3J9	85500-90A07-	3J9	-90A04-	3J11	B -16011-	3C12
P 81558-90A00	3G8	82282-90A04-	3B9	P 84810-90A02-03	3J9	85520-14030-	3J9	87208-90A15-	3L11	88410-22080-	3C12
P	3F8	-90A05-	3B9	P -90A02-06	3J9	85710-90A00-	3I10	-90K06-	3L11	B -60120-	3C12
P	3G8	82291-90A02-	3B9	P -90A03-03	3J9	-90A01-	3I10	87211-90A01-	3J11	88411-14050-	3B12
P 81560-90A11-	3F8	82345-12050-	3B9	P -90A03-06	3J9	85720-90A00-	3I10	87212-90A00-	3F11	B -60020-	3B12
P 81561-90A00-	3F8	-32020-	3B9	P 84820-90A08-03	3J9	-90A01-	3I10	87240-90A00-	3L11	88412-22030-	3B12
P 81562-90A00-	3F8	82616-12010-	3H9	P -90A08-06	3J9	85910-14020-	3L9	-90A02-	3F11	B -28030-	3B12
P 81564-90A12-	3F8	82650-12020-	3H9	84870-14060-	3J9	85913-30020-	3J9	87245-90A00-	3L11	88431-60040-	3C12
P 81610-90A03-	3D8	-20011-	3H9	-27040-	3J9	85915-60010-	3L9	-90A27-	3L11	-60100-	3C12
P 81611-90A00-	3D8	82670-90K00-	3E9	-90A00-	3J9	85927-60040-	3K9	-90A28-	3L11	88440-35010-	3C12
P 81612-90A00-	3D8	82683-90A20-	3H9	84956-60050-	3J9	85930-90A00-	3K9	-90A29-	3L11	88460-90A14-	3M11
P 81615-90A03-	3D8	-90A21-	3H9	85010-90A00-	3C10	85940-90A09-	3K9	-90A30-	3L11	88469-22010-	3M11
P 81620-90A03-	3D8	82821-12150-	3B9	P 85031-30020-	3G10	-90A10-	3K9	-90A40-	3L11	88470-14010-	3M11
P 81621-90A00-	3D8	83101-14040-	3D9	85035-90A02-	3F10	85991-22020-	3K9	-90A41-	3L11	88472-90A01-	3M11
P 81730-14110-	3E8	-20040-	3D9	P -90A03-	3G10	85999-12050-	3K9	-90A50-	3L11	88482-90A00-	3G11
A -90A05-	3E8	-36010-	3D9	85120-90A35-	3A10	-89101-	3K9	-90K36-	3L11	P 88501-90A07-	3G11
P 81731-14110-	3E8	83110-90A46-	3D9	85160-90A07-	3A10	86120-20680-	3K10	-90K53-	3L11	P 88510-50A04-	3G11
P 81740-14110-	3E8	-90A47-	3D9	A 85164-90A02-	3A10	-32130-	3K10	87248-90A01-	3F11	N -90A25-	3G11
A -90A05-	3E8	83132-90A04-	3D9	A 85165-90A01-	3A10	-32211-	3K10	-90A03-	3F11	88515-87004-	3G11
P 81741-14110-	3E8	83134-90A06-	3D9	85174-12320-	3C10	-32340-	3K10	-90A22-	3L11	P 88539-90A00-	3G11
P 81750-91255-	3I8	83138-90A00-	3D9	85178-12320-	3C10	-32370-	3K10	-90A24-	3L11	88578-90A02-	3M11
P 81751-14030-	3I8	83145-90A01-	3D9	-90A00-	3A10	-32390-	3K10	-90A25-	3L11	P 88605-90A09-	3G11
P 81754-91255-	3I8	-90A02-	3D9	85190-90A02-	3A10	-90A18-	3K10	87286-90A01-	3J11	88610-90A07-	3G11
P 81755-20060-	3I8	83243-90A03-	3D9	-90A06-	3C10	86128-17150-	3K10	P 87810-90A03-	3C11	P 88626-90A01-	3G11
P 81850-90A14-	3E9	83244-90A02-	3D9	85192-14010-	3A10	-17190-	3K10	P 87828-90A00-	3C11	N -90A02-	3H11
-90A15-	3E9	83245-90A03-	3D9	85195-95700-	3C10	-20020-	3K10	P -90A01-	3C11	88630-14010-	3J9
-90A25-	3E9	83246-90A05-	3D9	85210-90A01-	3A10	-20040-	3K10	P 87834-14011-28	3C11		3K9
-90A31-	3E9	83247-90A05-	3D9	85220-16270-	3A10	-22690-	3K10	P 87910-90A18-	3C11	88645-30250-	3H11
-90A35-	3E9	83270-90A10-	3D9	-16340-	3A10	-22710-	3K10	P -90A19-	3C11	88648-90A00-	3H11
81930-90A10-	3E9	-90A15-	3D9	-90A02-	3C10	-28140-	3K10	P -90A20-	3C11	88650-90A03-	3H11
-90A15-	3E9	83320-69015-	3H9	85221-30100-	3A10	-28160-	3K10	P 87911-90A05-	3C11	88711-90A09-	3M11
81980-16010-	3H9	83361-20030-	3I9	-90A02-	3C10	-32100-	3K10	P -32210-	3K10	P 87940-90A09-	3D11
82121-90A03-	3M8	83420-20020-	3I9	85247-90A01-	3B10	86151-90K01-	3M10	P -90A11-	3C11	88712-90A09-	3M11
-90A04-	3M8	83520-60010-	3I9	P 85271-90A00-	3G10	86160-90A05-	3M10	N -90A15-	3D11	88716-90A27-	3H11
82122-90A01-	3K8	83710-90A06-	3D9	P -90A01-	3G10	-90A06-	3M10	88320-60151-	3B12	-90A43-	3M11
82124-90A01-	3M8	-90A13-	3D9	P -90A02-	3G10	-90K02-	3M10	B -60280-	3B12	88721-90A07-	3M11
82125-90A09-	3M8	-90A20-	3D9	85276-14010-	3G10	86209-90A00-	3M10	88321-14011-	3B12	89412-12010-	3K9
82131-90G89-	3M8	83910-90A11-	3D9	85310-1408-	3D10	86211-90A06-	3K10	B -14021-	3B12	89422-20010-	3L9
-90G98-	3M8	84112-69795-	3I9	-22070-	3G10	86212-90A03-	3K10	88322-14011-	3B12	-30020-	3L9
82132-90A15-	3M8	84118-90A00-	3I9	-22080-	3F10	86260-12180-	3K10	B -14020-	3B12	89423-60020-	3K9
82141-90A20-	3M8	84119-90A01-	3I9	85330-90A04-	3G10	-20170-	3K10	88335-12030-	3C12	89428-14070-	3L9
-90A21-	3M8	84140-35080-	3I9	-90A07-	3D10	-30250-	3K10	-12050-	3B12	-36010-	3K9
82151-90A05-	3A9	84222-60021-	3I9	-90A08-	3F10	86269-90K00-	3I10	B -14010-	3C12	89437-60010-	3K9
-90A08-	3M8	-60030-	3I9	85332-20050-	3F10	-90K01-	3M10	B -14020-	3C12	B 89452-14050-	3L9
-90A10-	3A9	-60040-	3I9	-90A00-	3G10	86300-90A17-	3A11	88341-14010-	3B12	P -28030-	3L9
-90A13-	3A9	-60071-	3I9	-90A01-	3D10	-90A25-	3A11	B -14020-	3B12	89462-20010-	3L9
82152-90A05-	3A9	84230-22051-	3I9	85333-20020-	3D10	86510-22120-	3B11	88342-14010-	3B12	-20040-	3L9
-90A06-	3A9	84231-28010-	3I9	-60010-	3D10	86520-22120-	3B11	B -14020-	3B12	89465-69015-	3K9
82153-90A01-	3A9	84242-90A00-	3I9	85336-10010-	3G10	86995-90A02-	3E9	88343-14011-	3C12	A 89466-20020-	3K9
82154-90A03-	3A9	84310-60700-	3I9	85338-22020-	1L2	87104-90A00-	3F11	B -14020-	3C12	A -30010-	3K9
82155-90A02-	3A9	84312-20011-	3I9	85341-90A05-	3D10	-90K03-	3F11	88344-14011-	3C12	89530-60020-	3K9
82161-90A40-	3A9	84332-69055-	3I9	-90A08-	3D10	87105-14020-	3F11	B -14020-	3C12	89620-14410-	3K9
82162-90A38-	3A9	84340-22072-	3I9	85348-89101-	3D10	-87002-	3F11	B 88356-12010-	3C12	89661-60010-	3L9
82163-90A21-	3A9	84380-20010-	3I9	85349-89122-	3F10	87107-90A04-	3F11	B -40010-	3C12	-60020-	3L9
82164-90A03-	3A9	84450-60150-	3I9	P 85352-12010-	3G10	-90A06-	3F11	88371-60101-	3C12	-60021-	3L9
82166-90A00-	3A9	84460-22010-	2E8	85355-14481-	3F10	87110-90A02-	3F11	-60170-	3C12	89667-60010-	3M9
82171-90A10-	3A9	84540-60020-	3I9	-20200-	3F10	87126-16010-	3F11	N -90A01-	3F11	P 88374-12020-	3C11
82173-90A00-	3A9	84652-69351-	3I9	85440-60120-	3J9						

<p>2M4 (41-01) 1</p>  <p>Rear Axle Housing</p>	<p>2H5 (41-02) 2</p>  <p>Rear Axle Shaft & Hub</p>	<p>2K5 (41-03) 3</p>  <p>Disc Wheel & Cap</p>	<p>2C6 (43-01) 4</p>  <p>Front Axle Housing</p>	<p>2J6 (43-02) 5</p>  <p>Drive Shaft</p>	<p>2K6 (43-03) 6</p>  <p>Front Axle Hub</p>	<p>2M6 (45-01) 7</p>  <p>Steering Column & Shaft</p>
<p>POWER TRAIN-CHASSIS GROUP (2/2)</p>						
						
<p>2K9 (48-04) 21</p>  <p>Rear Spring</p>						<p>2D7 (45-02) 8</p>  <p>Vane Pump & Reservoir</p>
<p>2G9 (48-03) 20</p>  <p>Front Spring</p>						<p>2G7 (45-03) 9</p>  <p>Oil Cooler & Tube</p>
<p>2E9 (48-02) 19</p>  <p>Front Axle Arm</p>						<p>2H7 (45-04) 10</p>  <p>Steering Wheel</p>
<p>2M8 (47-06) 18</p>  <p>Rear Disc Brake Caliper</p>	<p>2J8 (47-06) 17</p>  <p>Rear Backing Plate</p>	<p>2H8 (47-05) 16</p>  <p>Front Disc Brake Caliper</p>	<p>2F8 (47-03) 15</p>  <p>Brake Booster</p>	<p>2D8 (47-02) 14</p>  <p>Brake Master Cylinder</p>	<p>2C8 (47-01) 13</p>  <p>Brake Pedal & Bracket</p>	<p>2A8 (46-01) 12</p>  <p>Parking Brake & Cable</p>

PROD. DATE	MODELS	DESCRIPTION	R / P	PART NUMBER	Q T Y.	REV. REF	
						F	T
8708-9001	FJ62	HOSE (FOR BREATHER PLUG)		90445-11072-	1		
8708-9001	FJ62	RING, O (FOR BREATHER PLUG)		90301-06005-	1		
8708-8803	FJ62	PAN SUB-ASSY, AUTOMATIC TRANSMISSION OIL		35106-60041-	1		
8803-8906	FJ62			(35106-60042-	1		
N 8906-9001	FJ62..WGG			35106-60042-	1		
				35106-60043-	1		
8708-9001	FJ62	PLUG SUB-ASSY, DRAIN (ATM)		90341-18057-	1		
8708-9001	FJ62	GASKET, DRAIN PLUG (ATM)		12157-10010-	1		
8708-9001	FJ62	HOUSING, AUTOMATIC TRANSMISSION		35111-60010-	1		
P 8708-8909	FJ62	RING, O (FOR AUTOMATIC TRANSMISSION CASE)		90301-06196-	6		
B 8909-9001	FJ62..WGG				7		
8708-9001	FJ62	SEAL, TRANSMISSION CASE DUST		35116-60010-	1		
8708-9001	FJ62	COVER, ADAPTOR, NO.1		35117-60010-	1		

PROD. DATE	MODELS	DESCRIPTION	R / P	PART NUMBER	Q T Y.	REV. REF	
						F	T
8708-9001	FJ62	COVER, ADAPTER, NO.2		35118-60010-	1		
8708-9001	FJ62	HANGER, TRANSMISSION, NO.1		35136-60010-	1		
8708-8712	FJ62	HANGER, TRANSMISSION, NO.2		35133-60010-	1		
8712-9001	FJ62			35136-60010-	1		
8708-9001	FJ62	PLUG (FOR AUTOMATIC TRANSMISSION CASE)		90341-16010-	1		
8708-9001	FJ62	WASHER, PLATE (FOR AUTOMATIC TRANSMISSION CASE)		90201-15013-	1		
8708-9001	FJ62	COVER, TRANSMISSION CASE, REAR		35143-36010-	1		
3708-9001	FJ62	GASKET, TRANSMISSION CASE REAR COVER		35144-36010-	1		
8708-9001	FJ62	GASKET, TRANSMISSION CASE ADPTOR		35182-36010-	1		
P 8708-8906	FJ62	PROTECTOR, TRANSMISSION OIL PAL		35167-60011-	1		
				(35167-60012-	1		
N 8906-9001	FJ62..WGG			35167-60012-	1		

PROD. DATE	MODELS	DESCRIPTION	R / P	PART NUMBER	Q T Y.	REV. REF	
						F	T
8708-9001	FJ62	WASHER, PLANETARY CARRIER THRUST, NO.2		35738-60010-	1		
8708-9001	FJ62	GEAR, FRONT PLANETARY RING		35743-60010-	1		
8708-8712	FJ62	RING, HOLE SNAP (FOR FRONT PLANETARY RING GEAR)		90521-99040-	1		
8712-9001	FJ62			90521-99018-	1		
8708-9001	FJ62	RING, INTERMEDIATE SHAFT OIL SEAL		35748-36010-	1		
8708-9001	FJ62	GEAR ASSY, REAR PLANETARY		35760-60010-	1		
8708-9001	FJ62	GEAR, REAR PLANETARY RING		35761-60010-	1		
8708-9001	FJ62	FLANGE, REAR PLANETARY RING GEAR		35762-60010-	1		
8708-9001	FJ62	RING, HOLE SNAP (FOR REAR PLANETARY RING GEAR FLANGE)		90521-99041-	1		
8708-9001	FJ62	RING, SHAFT SNAP (FOR REAR PLANETARY RING GEAR)		90520-22015-	2		
8708-9001	FJ62	BEARING, THRUST (FOR OUTPUT SHAFT)		90374-34001-	2		

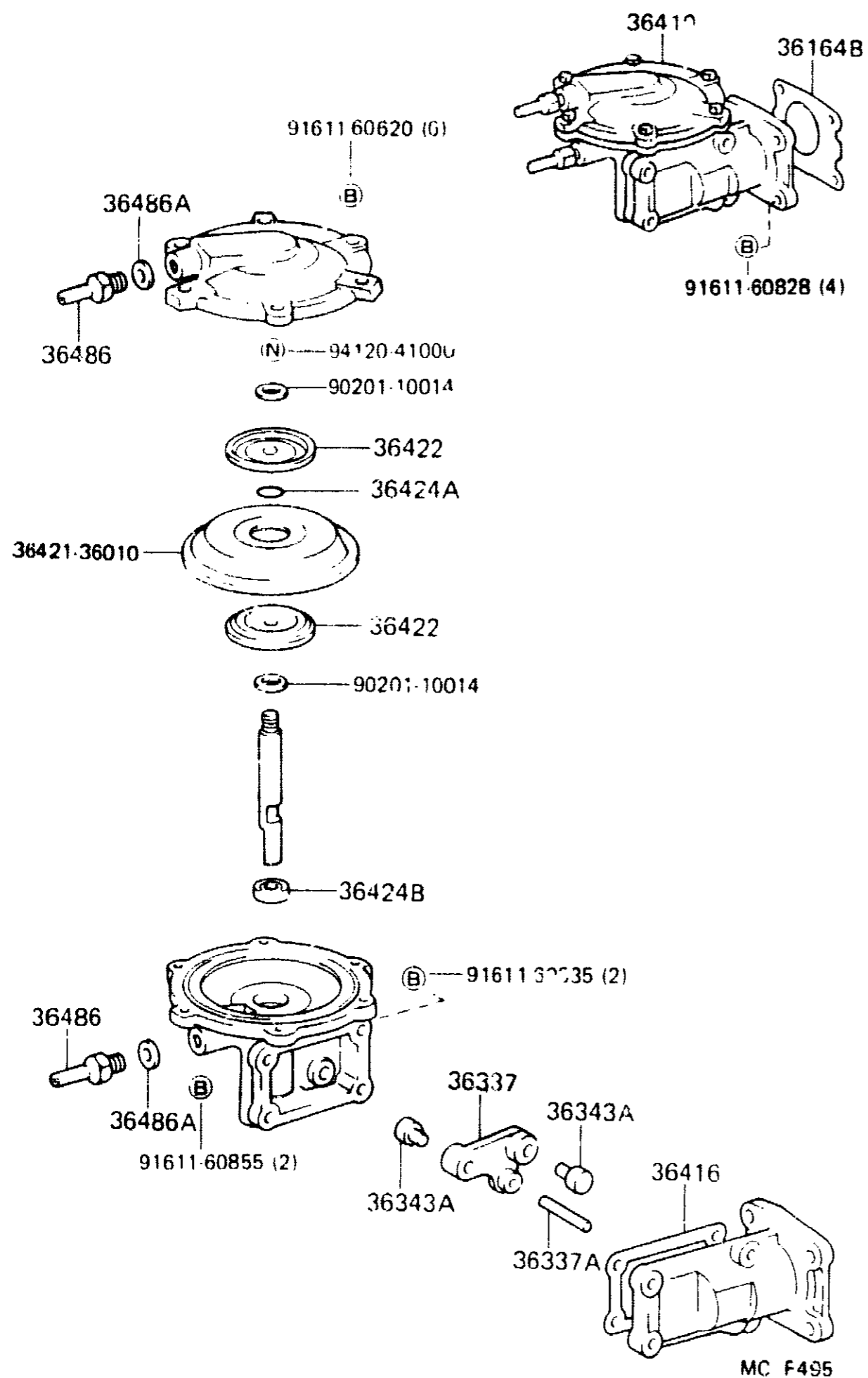
PROD. DATE	MODELS	DESCRIPTION	R / P	PART NUMBER	Q T Y.	REV. REF	
						F	T
8708-9001	FJ62	RACE, THRUST BEARING (FOR REAR PLANETARY FLANGE)		35789-36090-	2		
8708-9001	FJ62	CLUTCH ASSY, 1 WAY		35790-36010-	1		
8708-9001	FJ62	RING, HOLE SNAP (FOR 1 WAY CLUTCH)		90521-99021-	1		

FIG. 36-12 DIAPHRAGM CYLINDER & TRANSFER VACUUM ACTUATOR

2H4

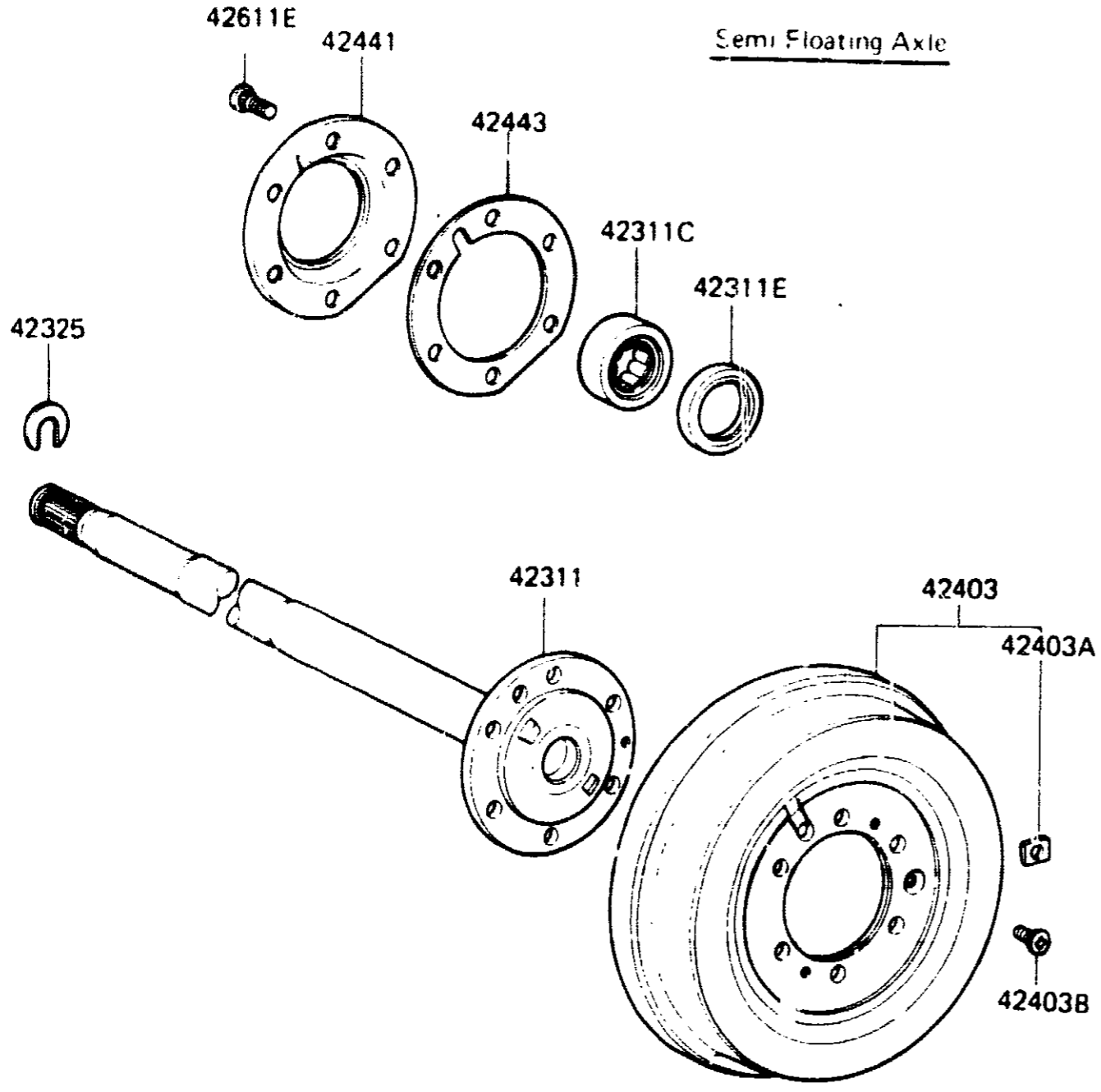
791430M-01165

(8708-)



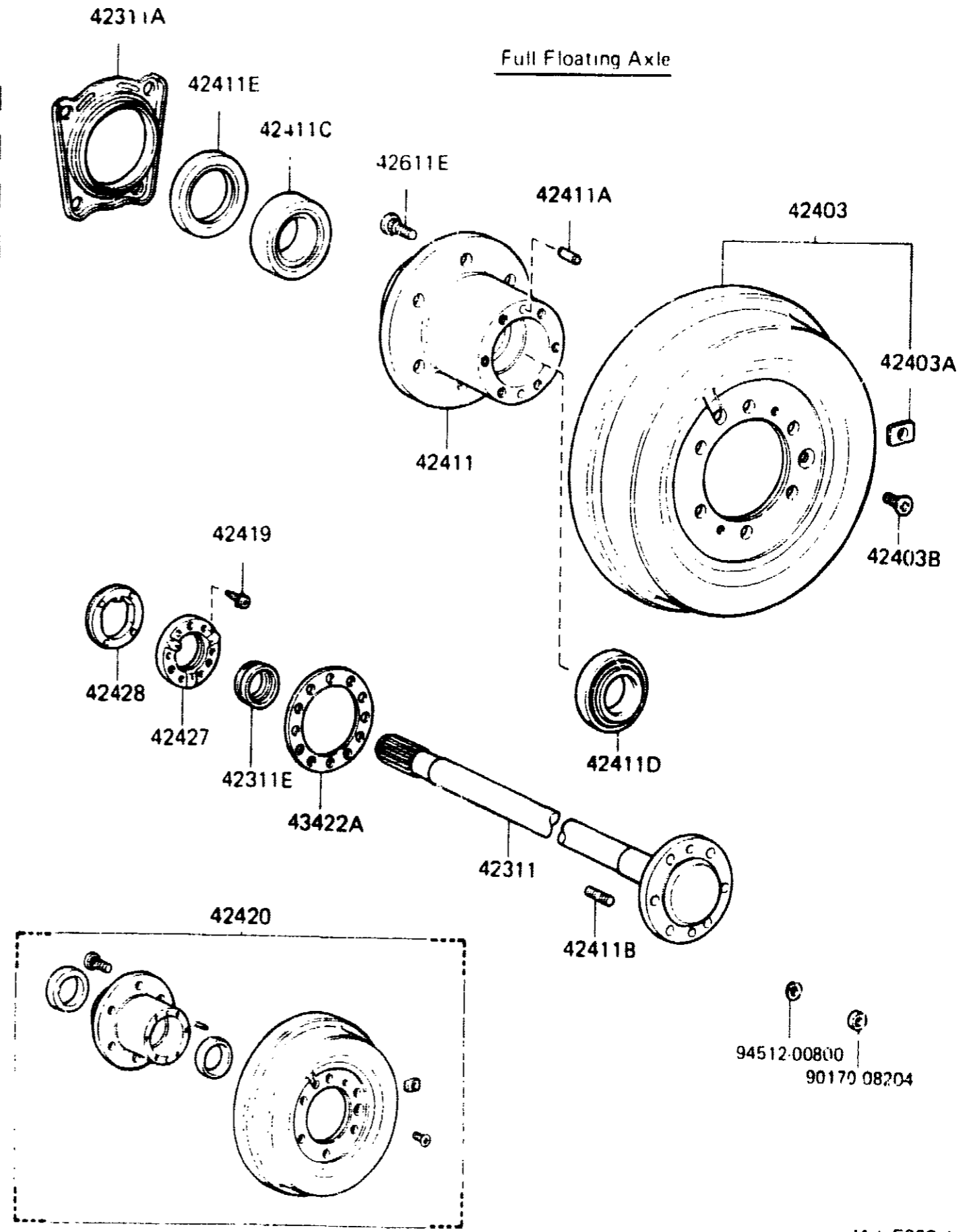
PROD. DATE	MODELS	DESCRIPTION	R / P	PART NUMBER	QTY.	REV. REF	
						F	T
8708-9001	FJ62	36164B GASKET, TRANSFER SHIFT SHAFT GUIDE		36164-60040-	1		
8708-9001	FJ62	36337 LEVER, FRONT DRIVE SHIFT LINK		36337-60080-	1		
8708-9001	FJ62	36337A PIN, STRAIGHT (FOR FRONT DRIVE SHIFT LINK LEVER)		90250-08024-	1		
8708-9001	FJ62	36343A SHOE, FR DRIVE SHIFT LINK LEVER (FOR VACUUM MAGNET TYPE)		36343-60010-	1		
8708-9001	FJ62	36410 CYLINDER ASSY, DIAPHRAGM		36410-60030-	1		
8708-9001	FJ62	36416 GASKET, DIAPHRAGM CYLINDER		36416-36010-	1		
8708-9001	FJ62	36422 PLATE, TRANSFER DIAPHRAGM		36422-36010-	2		
8708-9001	FJ62	36424A RING, O (FOR DIAPHRAGM PUSH ROD)		96711-19010-	1		
8708-9001	FJ62	36424B SEAL, TYPE T, OIL (FOR DIAPHRAGM PUSH ROD)		90311-13066-	1		
8708-9001	FJ62	36486 TUBE, SUCTION		36486-60010-	2		

(8708-)



MC E291

(8708-)

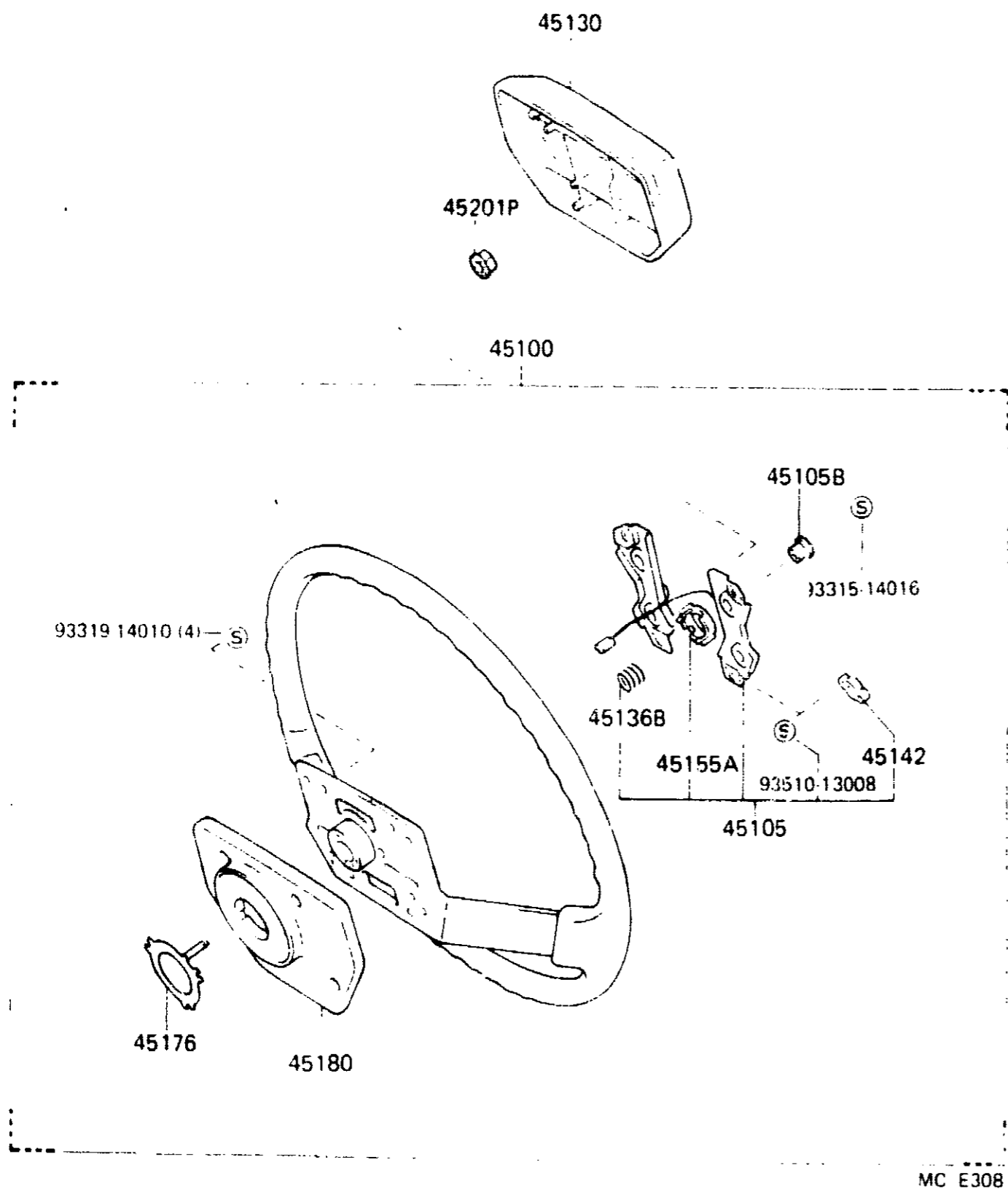


MC E292-A

PROD. DATE	MODELS	DESCRIPTION	R / P	PART NUMBER	Q T Y.	REV. REF	
						F	T
8708-9001	FJ62	SPRING, COMPRESSION (FOR REAR DIFFERENTIAL LOCK RETAINER)		90501-20083-	1		
8708-9001	FJ62	BOOT, FRONT DIFFERENTIAL LOCK CYLINDER		41466-60010-	1		
8708-9001	FJ62	HOUSING ASSY, FRONT AXLE		43110-60144-	1		
8703-9001	FJ62	W(DIFFERENTIAL LOCK)		43110-60211-	1		
B 8708-9001	FJ62	PLUG SUB-ASSY, DRAIN		90341-18057-	1		
8708-9001	FJ62	GASKET, DRAIN		12157-10010-	1		
B 8708-9001	FJ62	PLUG (FOR FRONT AXLE HOUSING)		90341-18006-	1		
8708-9001	FJ62	GASKET (FOR FRONT AXLE HOUSING PLUG)		12157-10010-	1		
8708-9001	FJ62	HOSE SUB-ASSY, FRONT AXLE BREATHER		43209-60011-	1		
8708-9001	FJ62	UNION (FOR FRONT AXLE BREATHER HOSE)		90404-10019-	1		
8708-9001	FJ62	CLAMP (FOR FRONT AXLE BREATHER HOSE)		90461-10587-	1		

PROD. DATE	MODELS	DESCRIPTION	R / P	PART NUMBER	Q T Y.	REV. REF	
						F	T
8708-9001	FJ62	CLIP, HOSE (FOR FRONT AXLE BREATHER HOSE)		96132-30600-	1		
8708-9001	FJ62	SEAL, TYPE OIL (FOR FRONT DRIVE SHAFT)		90311-33085-	2		
8708-9001	FJ62	GASKET, FRONT AXLE DIFFERENTIAL CARRIER		42181-36010-	1		
P 8708-8912	FJ62	CASE, FRONT AXLE DIFFERENTIAL		41301-60020-	1		
B 8708-8911	FJ62	W(DIFFERENTIAL LOCK)		41311-36010-	1		
B 8911-9001	FJ62..WGG			41311-6007C-	1		
S 8912-9001	FJ62..WGG	W(DIFFERENTIAL LOCK)		41301-60021-	1		
P 8708-8911	FJ62	BEARING, FRONT AXLE DIFFERENTIAL		90368-45066-	2		
B 8911-9001	FJ62..WGG			90368-50024-	2		
8708-9001	FJ62	WASHER, PLATE (FOR FRONT AXLE DRIVE PINION)		90201-22007-	1		
8708-9001	FJ62	NUT, CASTLE (FOR FRONT AXLE DRIVE PINION)		90179-22011-	1		
8708-9001	FJ62	SPACER OR WASHER, FRONT AXLE DRIVE PINION THRUST		90201-40551-	1		
8708-9001	FJ62		T=1.05	90201-40552-	1		
8708-9001	FJ62		T=1.10	90201-40553-	1		
8708-9001	FJ62		T=1.15	90201-40554-	1		
8708-9001	FJ62		T=1.20		1		

(8708-)



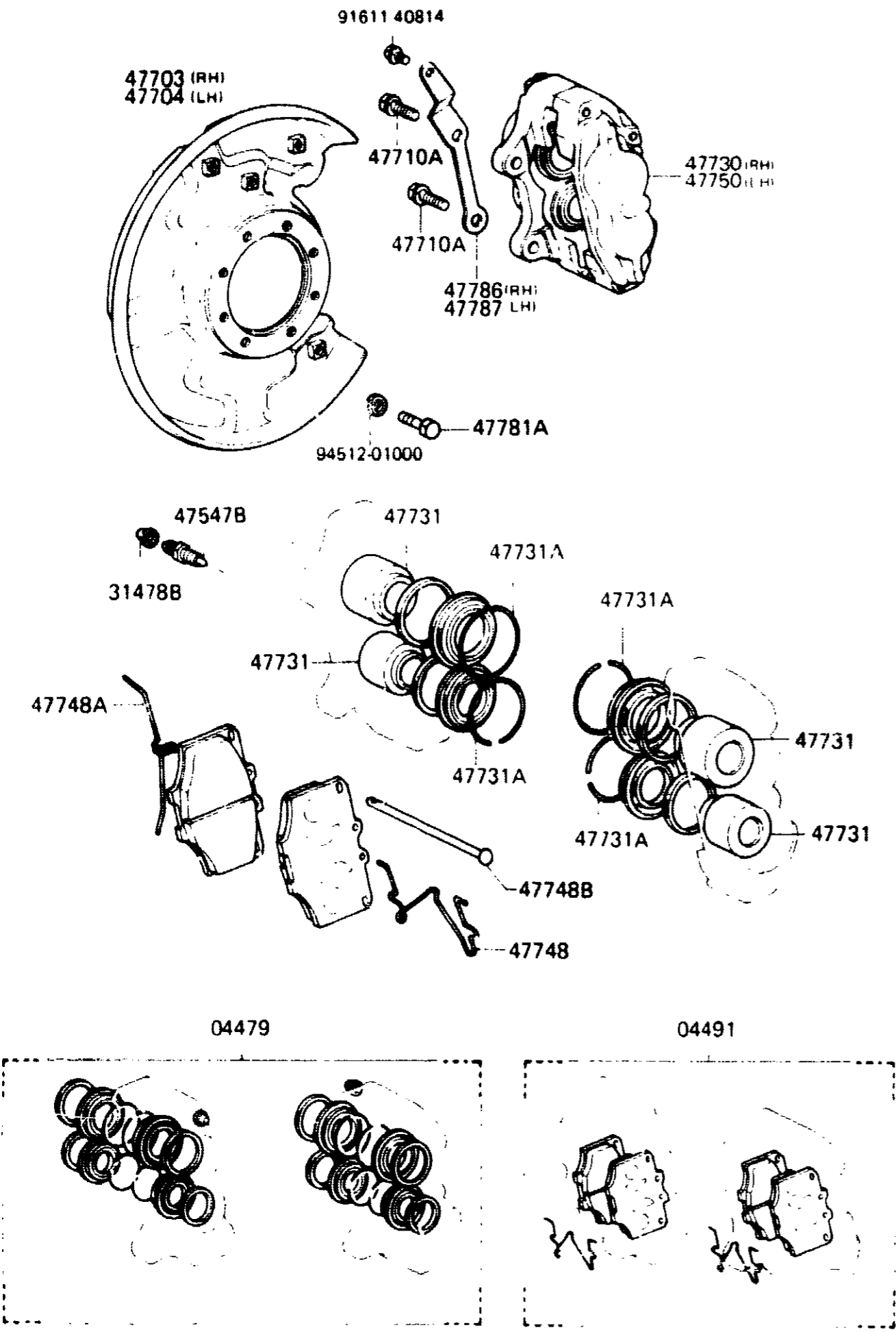
PROD. DATE	MODELS	DESCRIPTION	R / P	PART NUMBER	Q T Y.	REV. REF	
						F	T
	45100	WHEEL ASSY, STEERING					
P 8708-9001	FJ62	SHADOW GRAY(TRIM1)		45100-60140-03	1		
P 8708-9001	FJ62	SEPIA BROWN(TRIM4)		45100-60140-06	1		
	45105	PLATE SUB-ASSY, HORN BUTTON CONTACT, NO.1					
8708-9001	FJ62			45 05-60040-	1		
	45105B	SPACER (FOR HORN BUTTON CONTACT PLATE)					
8708-9001	FJ62			90561-04010-	4		
	45130	BUTTON ASSY, HORN					
P 8708-9001	FJ62	SHADOW GRAY(TRIM1)		45130-60101-03	1		
P 8708-9001	FJ62	SEPIA BROWN(TRIM4)		45130-60101-06	1		
	45136B	SPRING, COMPRESSION (FOR HORN BUTTON CONTACT PLATE)					
8708-9001	FJ62			90501-12099-	4		
	45142	SEAT, HORN BUTTON CONTACT, NO.1					
8708-9001	FJ62			45142-12050-	4		
	45155A	SPACER, HORN CONTACT					
8708-9001	FJ62			45155-12030-	4		
	45176	RING, HORN CONTACT					
8708-9001	FJ62			45176-20030-	1		
	45180	COVER SUB-ASSY, STEERING WHEEL					
8708-9001	FJ62			45180-60021-	1		
	45201P	NUT, STEERING WHEEL SET					
8708-9001	FJ62			90179-12086-	1		

FIG. 47-05 FRONT DISC BRAKE CALIPER & DUST COVER

2H8

791430M-01217

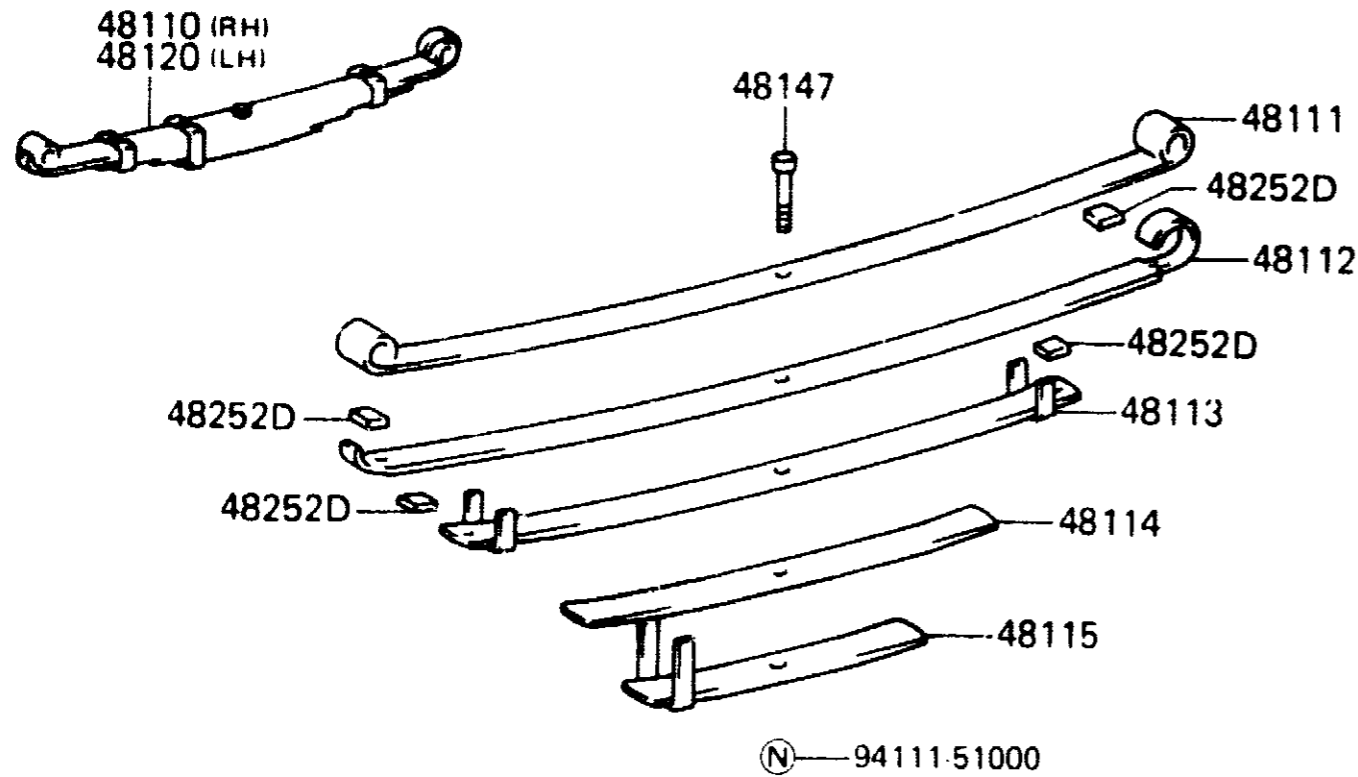
(8708-)



PROD. DATE	MODELS	DESCRIPTION	R / P	PART NUMBER	Q T Y.	REV. REF	
						F	T
8708-9001	FJ62	04479 CYLINDER KIT, DISC BRAKE, FRONT		04479-30030-	1		
8708-9001	FJ62	04491 PAD KIT, DISC BRAKE, FRONT		04491-60030-	1		
8708-9001	FJ62	31478B CAP, BLEEDER PLUG (FOR FRONT DISC BRAKE)		31478-30010-	2		
8708-9001	FJ62	47547B PLUG, BLEEDER (FOR FRONT DISC BRAKE)		47547-20030-	2		
8708-9001	FJ62	47703 COVER SUB-ASSY, DISC BRAKE DUST, FRONT RH		47703-60031-	1		
8708-9001	FJ62	47704 COVER SUB-ASSY, DISC BRAKE DUST, FRONT LH		47704-60031-	1		
8708-9001	FJ62	47710A BOLT, HEXAGON (FOR FRONT DISC BRAKE CALIPER)		90101-12060-	4		
8708-9001	FJ62	47730 CYLINDER ASSY, FRONT DISC BRAKE, RH		47730-60021-	1		
8708-9001	FJ62	47731 PISTON, FRONT DISC BRAKE		47731-30020-	4		
8708-9001	FJ62	47731A RING, SET (FOR FRONT DISC BRAKE PISTON)		47732-30010-	4		
8708-9001	FJ62	47731 PISTON, FRONT DISC BRAKE		90522-40043-	4		
8708-9001	FJ62	47731A RING, SET (FOR FRONT DISC BRAKE PISTON)		90522-48044-	4		

(8708-)

ILLUST.NO. 30F3



MC F459-A

PROD. DATE	MODELS	DESCRIPTION	R / P	PART NUMBER	QTY.	REV. REF	
						F	T
8708-9001	FJ62	SHACKLE KIT, FRONT SPRING		04481-60030-	2		
8708-9001	FJ62	PIN KIT, FRONT SPRING		04482-60040-	2		
8708-9001	FJ62	SEAT SUB-ASSY, SPRING, RH		48048-60021-	1		
8708-9001	FJ62	SEAT SUB-ASSY, SPRING, LH		48049-60021-	1		
8708-8803	FJ62	SPRING ASSY, FRONT, RH		# 48110-60410- (48110-60411-)	1		
8803-9001	FJ62			48110-60411-	1		
8708-9001	FJ62	BUSH (FOR FRONT SPRING SHACKLE)		90389-18002-	8		
8708-9001	FJ62	BUSH (FOR FRONT SPRING PIN)		90389-18002-	4		
8708-9001	FJ62	LEAF, FRONT SPRING, NO. 1		48111-60410-	2		
8708-9001	FJ62	LEAF, FRONT SPRING, NO. 2		48112-60410-	2		
8708-9001	FJ62	LEAF, FRONT SPRING, NO. 3		48102-60410-	2		

PART NUMBER	LOCATION	PART NUMBER	LOCATION	PART NUMBER	LOCATION	PART NUMBER	LOCATION	PART NUMBER	LOCATION	PART NUMBER	LOCATION	
89669-60010-	3M9	90176-08014-	1G1	90201-79012-	2F6	90254-04012-	2J3	90311-24001-	2D7	90363-17004-	2E7	
P 90096-90022-	3C12	90179-06158-	3C10	-79013-	2D5	-05016-	2F4	-33085-	2H6	-18001-	2M6	
90099-01458-	3C10	-08026-	3A10	-79014-	2D5	90256-04001-	2B1	-38035-	2C5	-28001-	2M6	
-05141-	3C10	-10070-	1E3	-79015-	2D5	90280-03009-	1E2		2E6	-30007-	2M6	
-07048-	1C4	-12086-	2H7	-79016-	2D5	-05008-	2E7	-38134-	2C5	-35013-	2D4	
-10110-	1E4	-22005-	2A4	-79017-	2D5	-05010-	1B2		2E6		2E4	
-10113-	1G4	-22010-	1B2	-79018-	2D5		1C2	-42010-	2F1	-35022-	2G2	
-10116-	1E4	-22011-	2C5	-79019-	2D5	90281-07004-	1B2	-45008-	1J1	-45008-	2G2	
-10133-	3B12		2H6	-79020-	2D5	90282-03005-	2F3	-47001-	215	90364-17010-	2E4	
-14020-	1D4	-26004-	2G2	-79021-	2D5	-03006-	2D3	-48009-	2B4	-32003-	2K7	
-17112-	1G4	90201-06566-	2B3	-79022-	2D5		2E3	-48010-	2B4	-38012-	2D4	
-32103-	3D10	-12042-	2J3	-79023-	2D5		2F3	-62001-	2J5	-40001-	2D4	
-33332-	3D10	-16012-	2J3		2D5		2G3		2K6	90365-47013-	215	
	3E10	-16013-	2H1		2D5		2D3	-99005-	1B2	90366-17001-	2F9	
-52065-	1E4	-22005-	2A4	-79020-	2D5		2G3	90312-32002-	2K7	-30011-	2C5	
90101-10439-	218	-22007-	2C5		2D5	90301-06005-	2H1	90313-13001-	2F4		2E6	
-12021-	2J8		2H6	-79021-	2D5	P -06196-	2H1	-93001-	215	B -30038-	2C5	
-12060-	2H8	-30003-	2J7	-79022-	2D5	-07001-	1K4	-93011-	2F9	B	2E6	
90105-06052-	2F5	-35002-	2E4	-79023-	2D5		1L4	90316-48003-	2A4		2E4	
	2G6	-40551-	2C5		2D5		2E2	90331-48010-	1C2		2E4	
-06069-	212	-40552-	2H6		2D5		2K1	90334-07009-	1F1		2C5	
-08114-	2E5	-40553-	2C5	90202-10103-	2C9		211	90339-04009-	2D3		2E6	
	2G6	-40554-	2H6	90206-12001-	2J3		-11006-	-04010-	2F3	B	-40059-	2C5
-10096-	2E2	-40555-	2C5	90209-52001-	2E2		-14001-	-04011-	2E3	B	2E6	
	2K1	-40556-	2H6	-52002-	2E2		-18004-	-04012-	2F3		-60002-	2D5
P -10115-	2E1	-40557-	2C5	-52003-	2E2		-19006-	-04014-	2A1		2F6	
-10221-	1H3		2H6	-52004-	2E2		-21176-	-04015-	2D3	P	90368-45066-	2D5
-11013-	2K4		2C5	90210-10101-	2L7		-22001-	-04016-	2G3	P	2H6	
B -11030-	2E1		216	-13001-	1G1		-22003-	-04017-	2D3		2J5	
-12018-	3J7		2C5	90213-06013-	2K8		-24002-		2E3		2L6	
-12053-	2C5		216		2K8		-26003-		2F3		2J5	
	2E6		2C5		2K8		-28003-		2G3		2K6	
-13005-	1F1		216	-07010-	2K8		-29003-	-04019-	2E3	B	-50024-	2D5
-14033-	1H1	-40558-	2C5	90214-42030-	2L6			-04021-	2F3	B	2H6	
90106-12022-	2E9	-40559-	216	90215-42025-	2L6		-32002-	-05008-	2D3		90369-22004-	2K7
90109-06008-	2D8	-40560-	2C5	90240-06158-	218		-33002-	-05009-	2G3		90374-25004-	2L1
-10091-	2D5	-40561-	216	-08042-	2B8		-33006-	-06004-	2D3		-28007-	2L1
90113-05034-	2A1	-40562-	2C5	-08128-	2G4		-34004-	-06008-	2G3		-30003-	2J7
-10003-	215	-40563-	216	-09001-	2B6		-34005-	-06009-	2D3		-34001-	2A2
90114-11124-	2A4	-40564-	2C5	-10148-	2A6		-37004-	90340-14001-	1F1		2B2	
90116-06022-	1H1	-40565-	216	-10157-	2G4		-51001-	-25001-	2M7		2H2	
-08325-	215	-79001-	2D5	90241-10017-	1A2		-53002-	90341-08001-	2G1		2L1	
	2K6	-79002-	2F6	90249-08068-	2K8		-59003-	-12012-	111	P	90381-33001-	2E9
P -10074-	2B5	-79003-	2D5	-10017-	2C8		-60001-	-15001-	2F4	B	-33002-	2E9
P -10075-	2E6	-79004-	2F6	90250-02016-	2D3		-60122-	-16010-	2H1		90385-10064-	2D9
	2B5		2F6	-03036-	2D3		-62004-	-18006-	2B4		12029-	2A9
	2B5		2D5	-03050-	2E3		-64002-		2F5		-16008-	2A1
							-64005-		2H6		-19003-	219
B -10087-	1C3		2F6	-03051-	2A3		-65145-	-18057-	2B4		-19057-	2A10
-10122-	2E6	-79005-	2D5		2C3		-94002-		2F5		90386-08155-	3M7
-10124-	2B5	-79006-	2F6		2E3		-99027-		2H1		-05009-	2F5
-12007-	2E9	-79007-	2D5		2M2				2H6			2G6
-12011-	1C3	-79008-	2F6		2A3		-99028-	-26001-	2F5		-13014-	2B6
90117-14032-	2L9	-79009-	2D5		2E7		-99029-		2G6		-13192-	2C8
-14036-	219	-79010-	2F6		215		-99030-	90344-54003-	111		90387-06065-	2A1
-14051-	219	-79011-	2D5		2K6			90345-51025-	1C3		-08002-	2B7
-14180-	2L9	-79012-	2F6		2H4			-53020-	2E9	B	-08099-	2C9
90119-08497-	2E1		2D5		1F1			90360-06004-	2B3	B		2D9
-08523-	2E1		2F6		2B4		-99031-		2C3		-09006-	2J9
90170-08005-	1D2	-79010-	2D5		111				2K7		-09111-	2A6
-10198-	1A2	-79011-	2F6		2G1				215		-10004-	2C8
	2L7	-79012-	2D5	90253-16014-	1H1				2J3		90389-02001-	3D9
90171-14042-	2L7		2F6	-17003-	111		90310-09001-	-06021-	2K7		-08005-	2B1
90175-08008-	1F3		2D5	-18003-	111		-35001-	-09001-	2B3		-18002-	2H9
								-10003-	2E5			
								-13066-	2F4			
								-19002-	2G6			

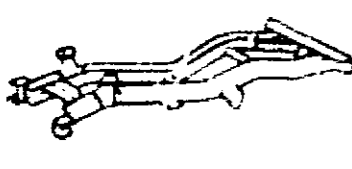
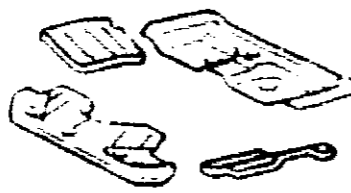
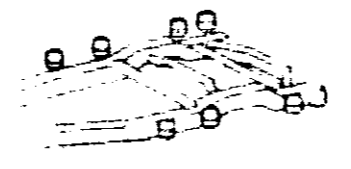
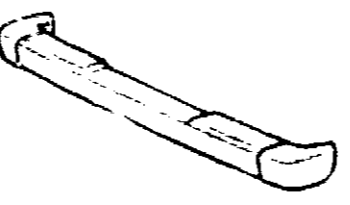
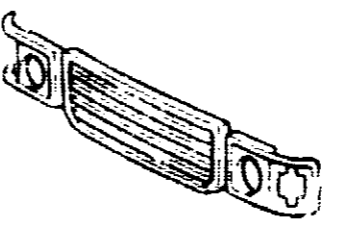
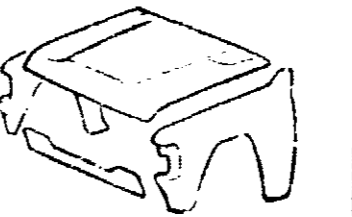
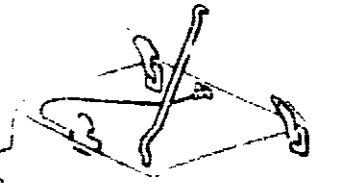
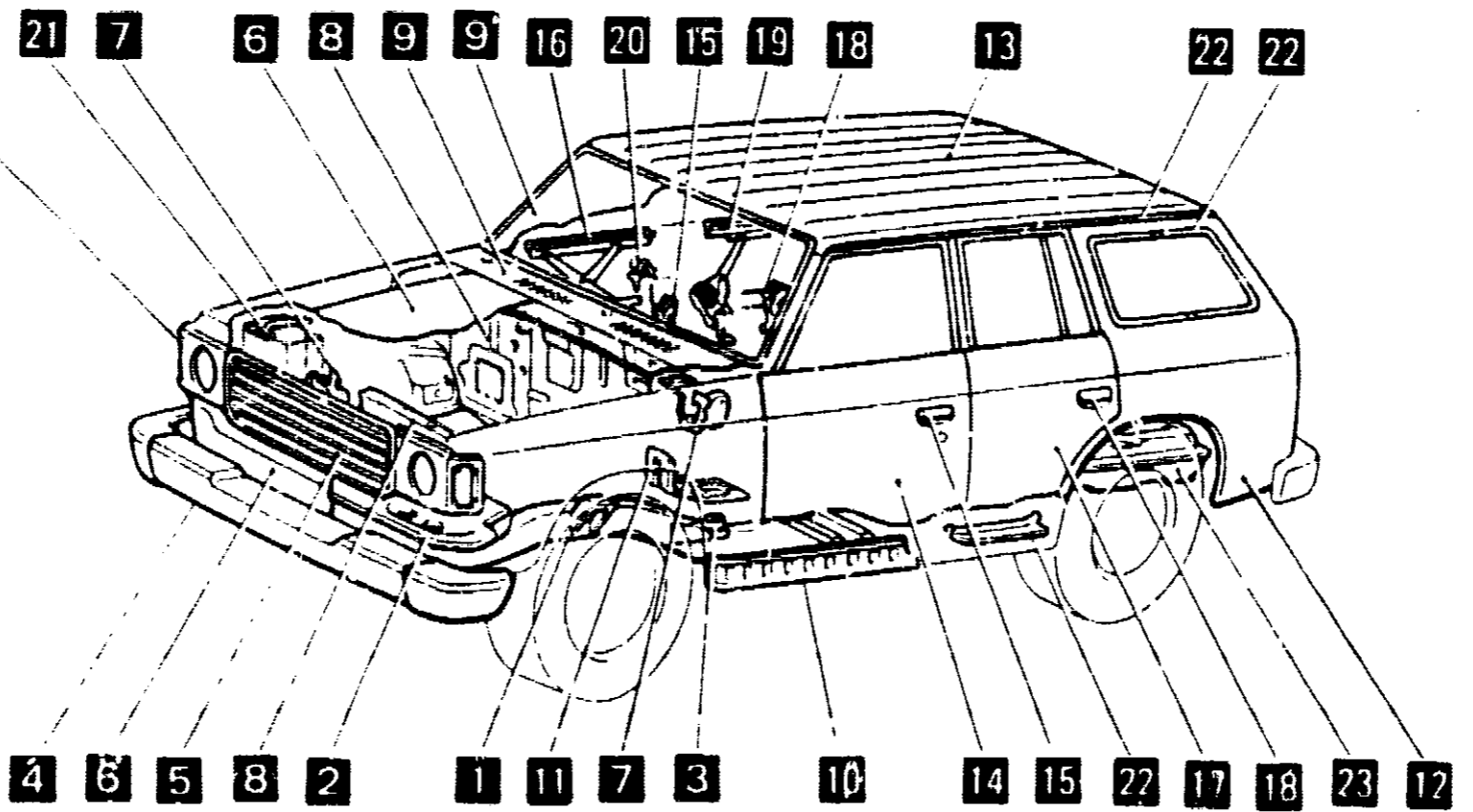
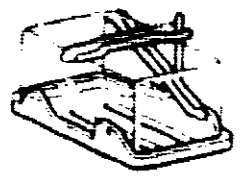
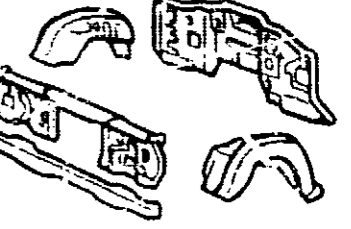
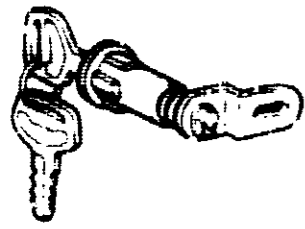

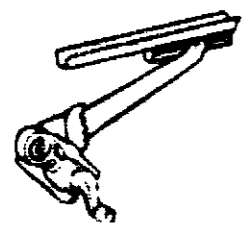
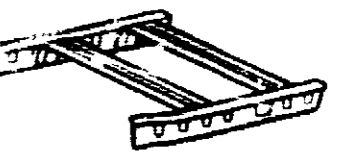
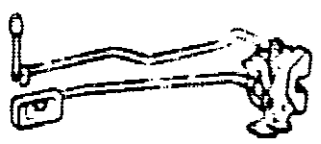
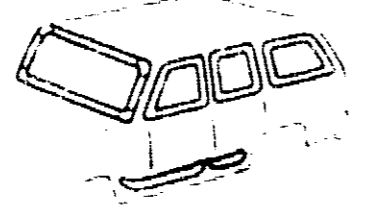


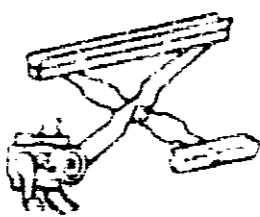
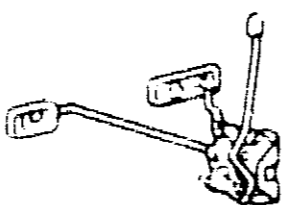


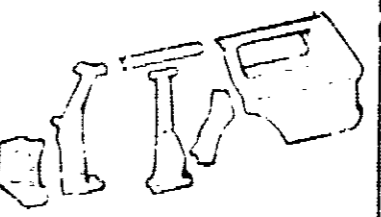
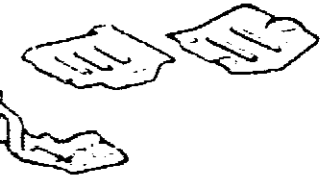
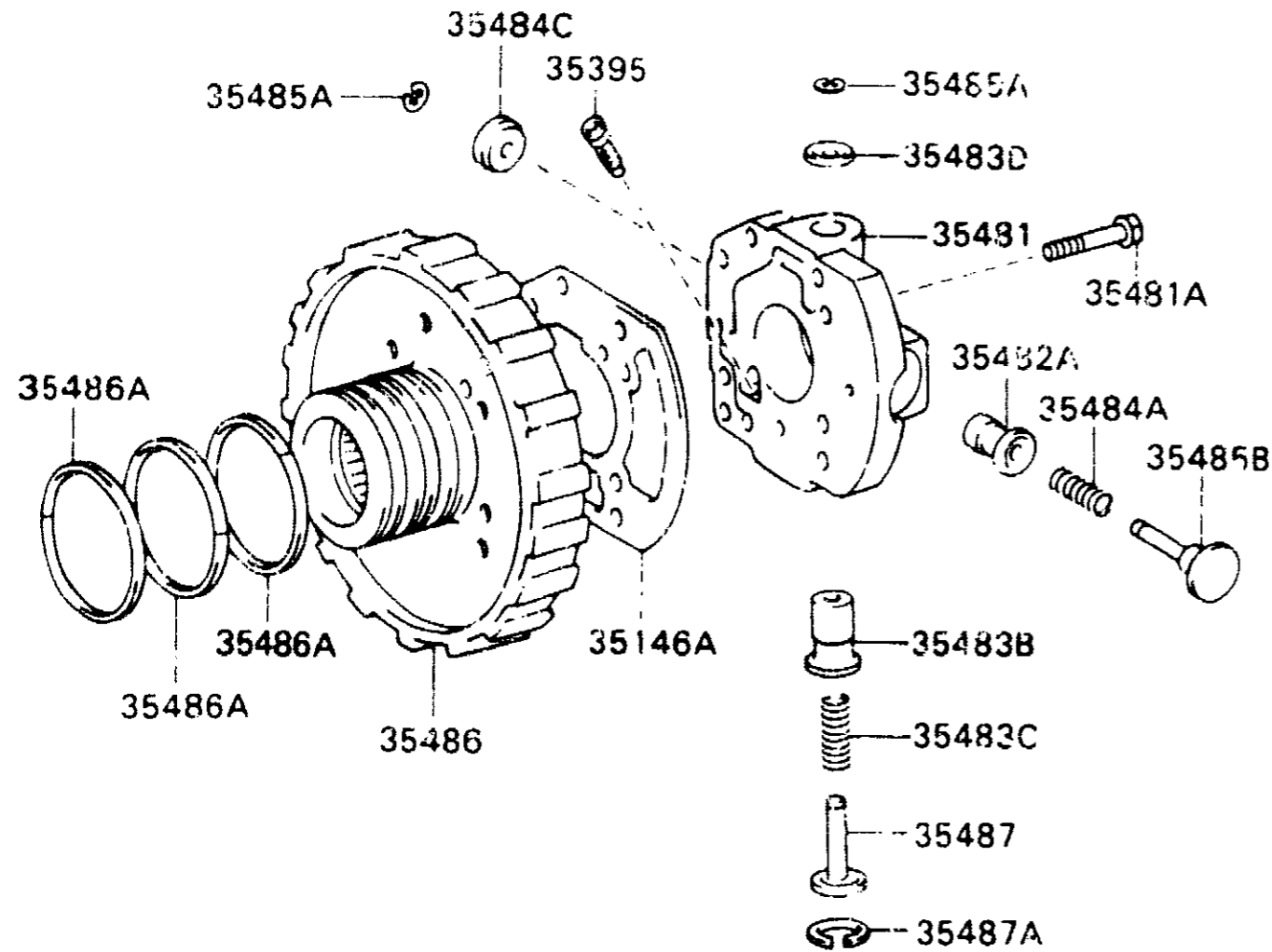
<p>3A1 (51-51) 1</p>  <p>Frame</p>	<p>3C1 (51-52) 2</p>  <p>Crossmember & Under Cover</p>	<p>3E1 (52-51) 3</p>  <p>Car & Body Mounting</p>	<p>3G1 (52-52) 4</p>  <p>Front Bumper & Stay</p>	<p>3I1 (53-51) 5</p>  <p>Radiator Grille</p>	<p>3J1 (53-53) 6</p>  <p>Hood & Front Fend'r.</p>	<p>3L1 (53-54) 7</p>  <p>Hood Lock & Hinge</p>
<p>BODY GROUP (1/2)</p> 						
<p>3L6 (74-54) 21</p>  <p>Battery Carrier</p>						<p>3M1 (53-55) 8</p>  <p>Front Fender Apron</p>
<p>3A6 (67-65) 20</p>  <p>Lock Cylinder Set</p>						<p>3F2 (55-53) 3</p>  <p>Cov'r Panel & Glass</p>
<p>3H5 (67-57) 19</p>  <p>Rear Door Regulator & Hinge</p>						<p>3H2 (57-51) 10</p>  <p>Floor Member</p>
<p>3F5 (67-56) 18</p>  <p>Rear Door Lock & Handle</p>	<p>3D1 (75-52) 22</p>  <p>Moulding</p>	<p>3H7 (77-51) 23</p>  <p>Fuel Tank & Tube</p>				
<p>3C5 (67-55) 17</p>  <p>Rear Door Panel & Glass</p>	<p>3A5 (67-54) 16</p>  <p>Front Door Regulator & Hinge</p>	<p>3L4 (67-53) 15</p>  <p>Front Door Lock & Handle</p>	<p>3H4 (67-51) 14</p>  <p>Front Door Panel & Glass</p>	<p>3L3 (61-53) 13</p>  <p>Roof Panel & Back Panel</p>	<p>3G3 (61-51) 12</p>  <p>Side Member</p>	<p>3A3 (58-53) 11</p>  <p>Floor Insulator</p>

FIG. 35-11 REAR OIL PUMP & GOVERNOR (ATM)

(8708-
A440F)

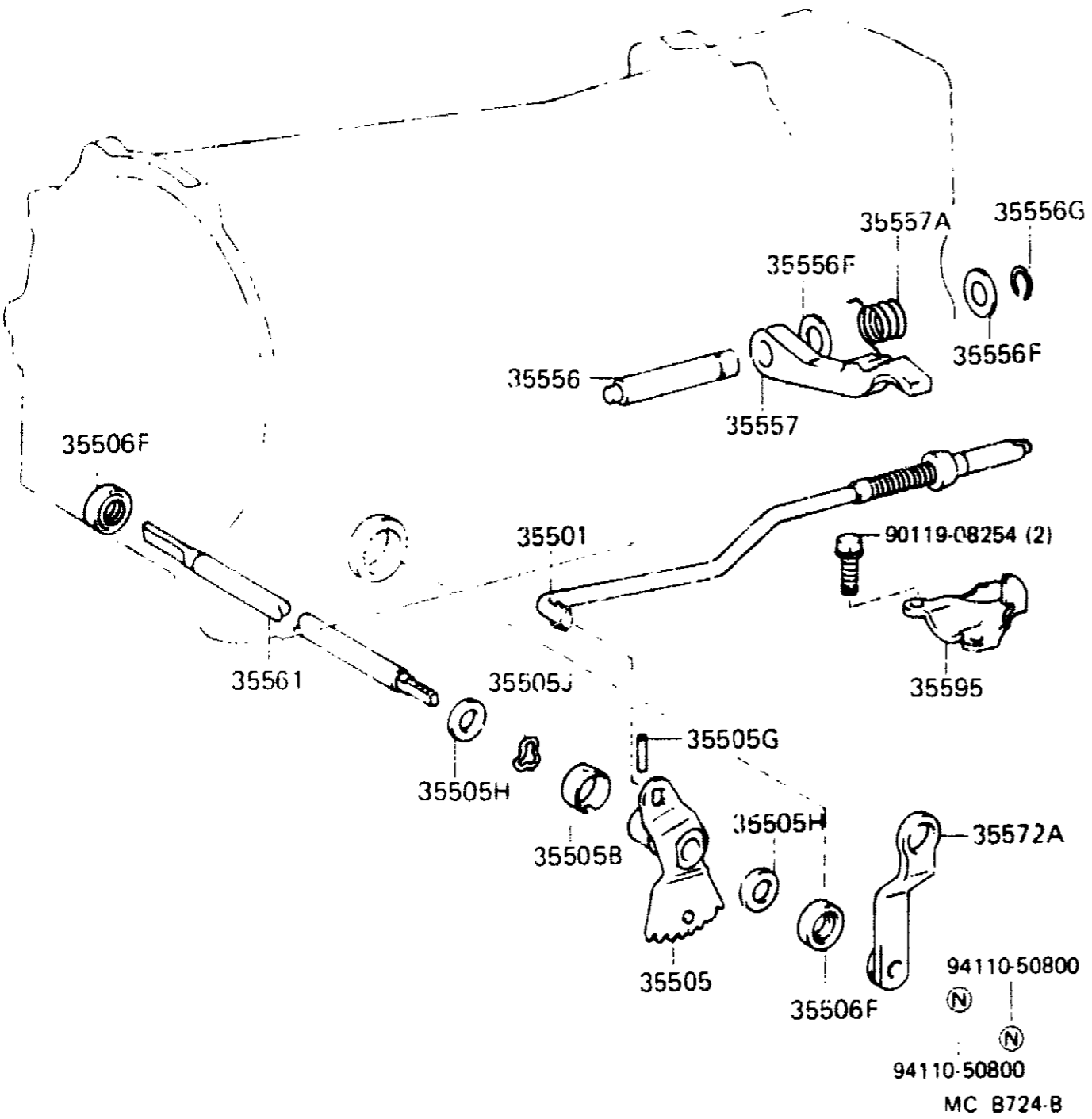


MC E264-A

PROD. DATE	MODELS	DESCRIPTION	R / P	PART NUMBER	Q T Y.	REV. REF	
						F	T
8708-9001	FJ62	1 35146A GASKET, GOVERNOR BODY		35146-36010-	1		
8708-9001	FJ62	1 35395 STRAINER, GOVERNOR OIL		35395-36010-	1		
8708-8709	FJ62	1 35481 BODY, GOVERNOR		# 35481-36011- (35481-36012-)	1		
8709-9001	FJ62			35481-36012-	1		
8708-9001	FJ62	1 35481A BOLT (FOR GOVERNOR BODY)		90105-06069-	8		
8708-9001	FJ62	1 35482A VALVE, GOVERNOR, NO.1		35482-60020-	1		
8708-9001	FJ62	1 35483B VALVE, GOVERNOR, NO.2		35483-60010-	1		
8708-9001	FJ62	1 35483C SPRING, COMPRESSION (FOR GOVERNOR VALVE NO.2)		90501-12086-	1		
8708-9001	FJ62	1 35483D SPACER (FOR GOVERNOR VALVE NO.2)		90561-06006-	1		
8708-9001	FJ62	1 35484A SPRING, COMPRESSION (FOR GOVERNOR WEIGHT)		90501-07065-	1		
8708-9001	FJ62	1 35484C WEIGHT, GOVERNOR		35434-60011-	1		

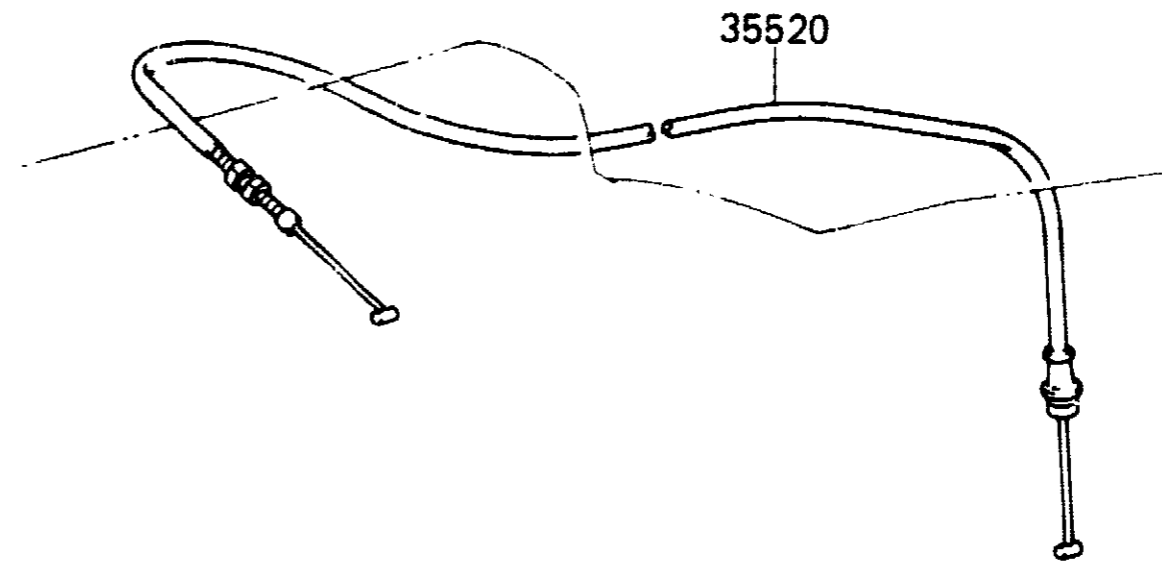
(8708-)

ILLUST.NO. 10F2



(8708-)

ILLUST.NO. 20F2



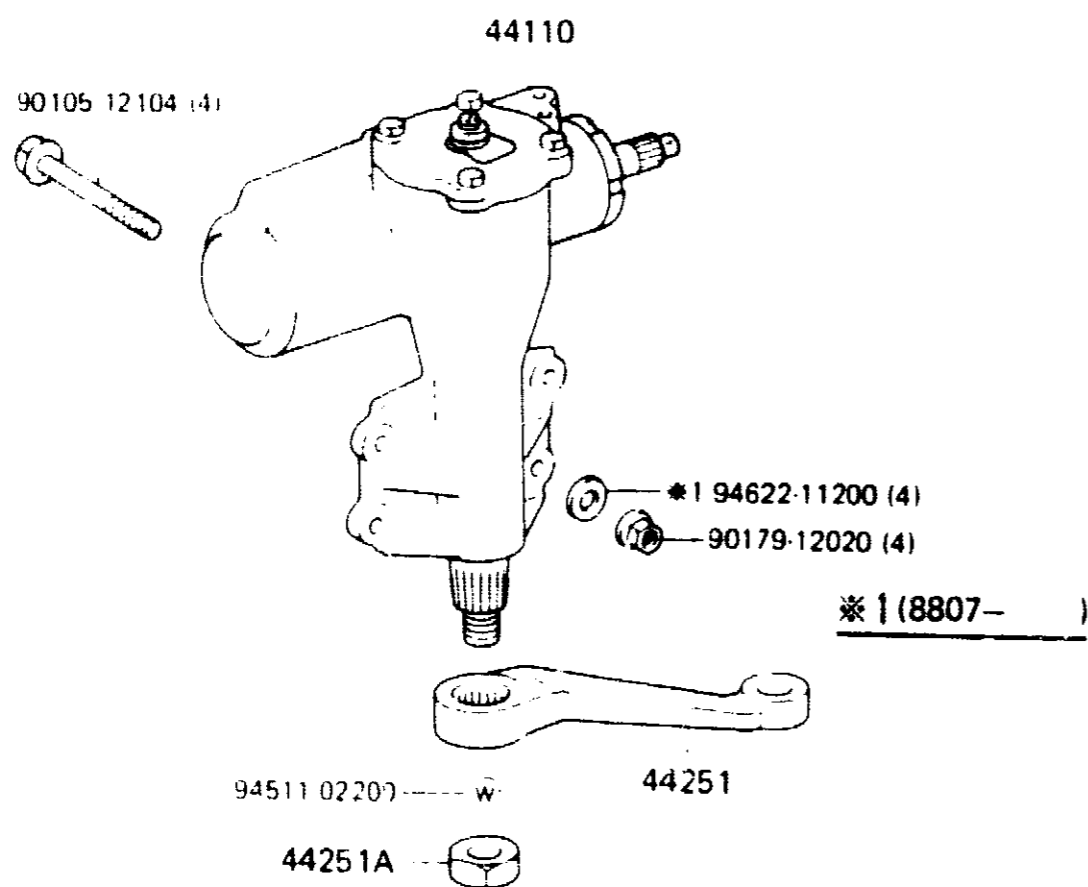
MC F730

PROD. DATE	MODELS	DESCRIPTION	R/P	PART NUMBER	QTY.	REV. REF	
						F	T
	↔ 42311	SHAFT, REAR AXLE					
P 8708-8905	FJ62	RH		# 42311-60060- (42311-60061-)	1 1		
P 8708-8905	FJ62	LH		# 42312-60050- (42312-60051-)	1 1		
8708-9001	FJ62	W(DIFFERENTIAL LOCK), RH		42311-60080-	1		
8708-9001	FJ62	W(DIFFERENTIAL LOCK), LH		42312-60060-	1		
N 8905-9001	FJ62..WGG	RH		42311-60061-	1		
N 8905-9001	FJ62..WGG	LH		42312-60051-	1		
	↔ 42311A	SEAL, OIL (FOR REAR AXLE SHAFT)					
8708-9001	FJ62			90313-93001-	2		
	↔ 42311C	BEARING (FOR REAR AXLE SHAFT)					
8708-9001	FJ62			90365-47013-	2		
	↔ 42311E	SEAL, OIL (FOR REAR AXLE SHAFT OUTER)					
8708-9001	FJ62	W(DIFFERENTIAL LOCK)		90310-35001-	2		
8708-9001	FJ62			90311-47001-	2		
	↔ 42325	LOCK, REAR AXLE SHAFT					
8708-9001	FJ62			42325-55010-	2		
	↔ 42403	DRUM SUB-ASSY, REAR BRAKE					
8708-9001	FJ62			42431-60020-	2		
	↔ 42403A	PIECE, BALANCE (FOR REAR BRAKE DRUM)					
8708-9001	FJ62	10G		90937-01117-	X		
8708-9001	FJ62	20G		90937-01118-	X		

PROD. DATE	MODELS	DESCRIPTION	R/P	PART NUMBER	QTY.	REV. REF	
						F	T
	↔ 42403A	PIECE, BALANCE (FOR REAR BRAKE DRUM)					
8708-9001	FJ62	30G		90937-01119-	X		
8708-9001	FJ62	50G		90937-01121-	X		
8708-9001	FJ62	60G		90937-01122-	X		
S 9001-9001	FJ62..WGG	20G		90937-01408-	X		
S 9001-9001	FJ62..WGG	30G		90937-01409-	X		
S 9001-9001	FJ62..WGG	40G		90937-01410-	X		
S 9001-9001	FJ62..WGG	50G		90937-01411-	X		
S 9001-9001	FJ62..WGG	60G, W(DIFFERENTIAL LOCK)		90937-01412-	X		
S 9001-9001	FJ62..WGG	70G		90937-01413-	X		
S 9001-9001	FJ62..WGG	80G		90937-01414-	X		
S 9001-9001	FJ62..WGG	90G		90937-01415-	X		
S 9001-9001	FJ62..WGG	100G		90937-01416-	X		
S 9001-9001	FJ62..WGG	110G		90937-01417-	X		
S 9001-9001	FJ62..WGG	120G		90937-01418-	X		
S 9001-9001	FJ62..WGG	10G		90937-01419-	X		
	↔ 42403B	BOLT, SET (FOR REAR BRAKE DRUM SETTING)					
8708-9001	FJ62			90113-10003-	2		
	↔ 42411	HUB, REAR AXLE					
A 8708-9001	FJ62			42411-60011-	2		
	↔ 42411A	PIN, STRAIGHT (FOR REAR AXLE HUB)					
A 8708-9001	FJ62			90250-0357-	4		
	↔ 42411B	BOLT, STUD (FOR REAR AXLE HUB)					
8708-9001	FJ62			90116-08325-	2		

(8708-)

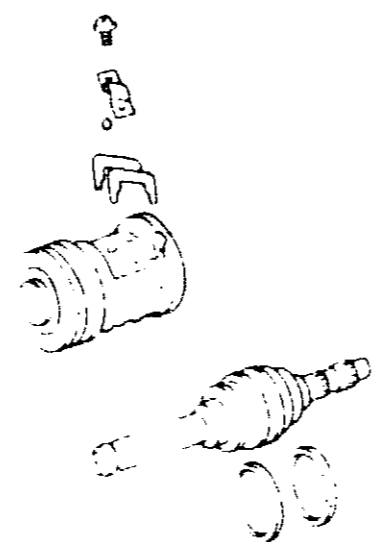
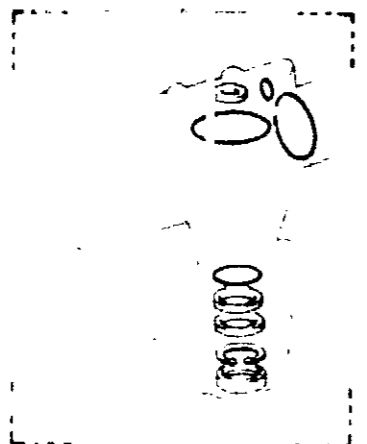
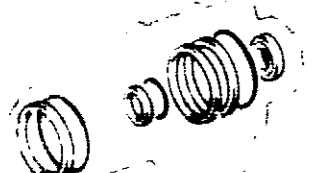
ILLUST.NO. 10F3



04445

04044

04455A

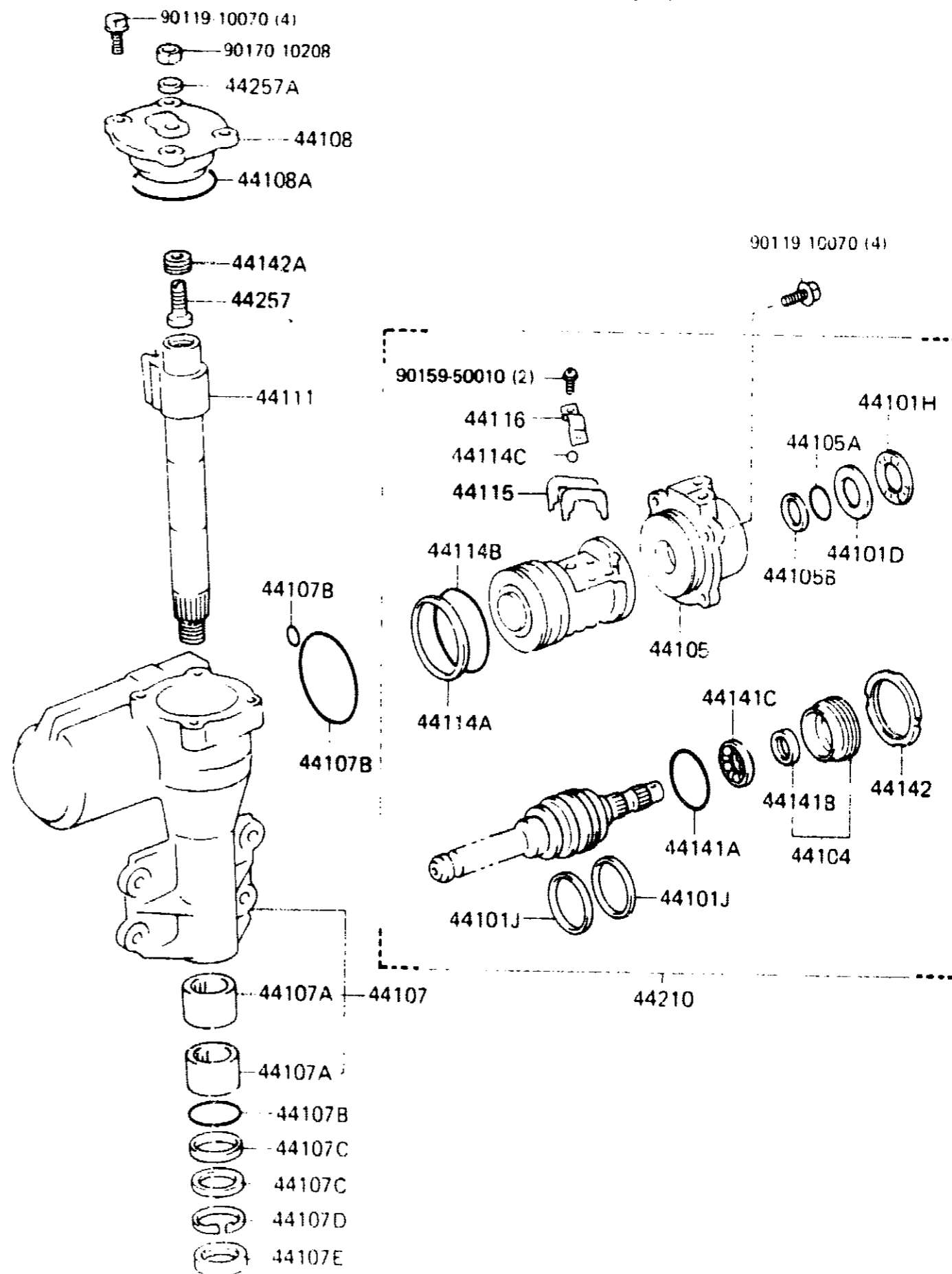


MC E357 C

MCE357B

(8708-)

ILLUST.NO. 20F3



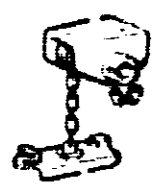

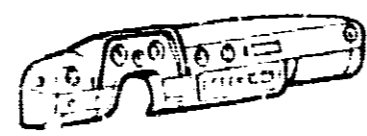
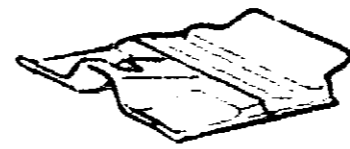

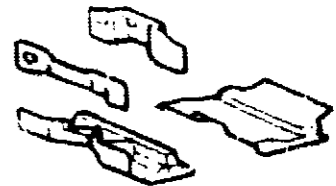

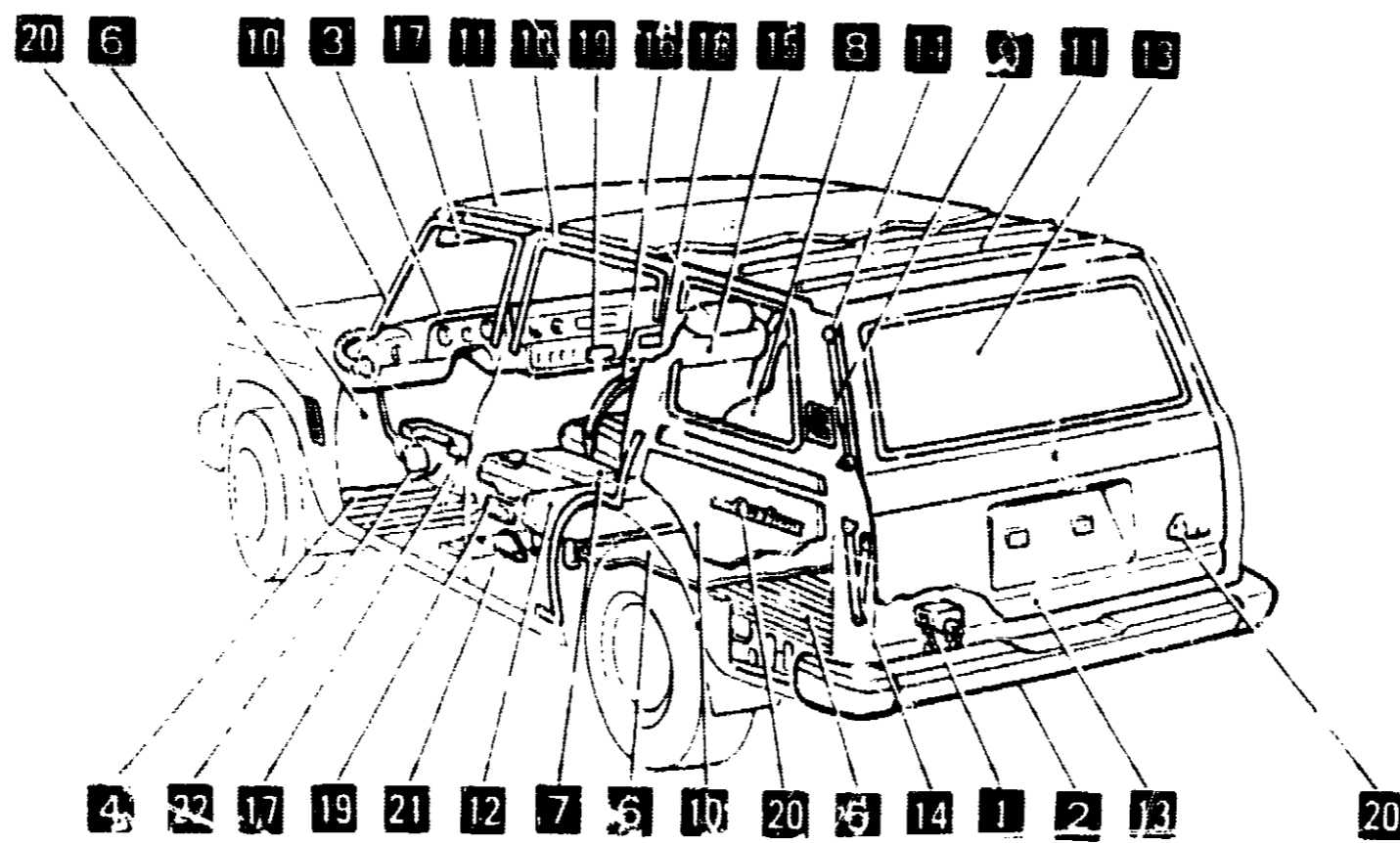
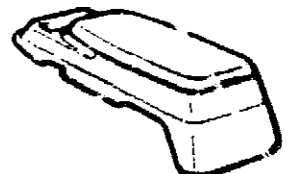



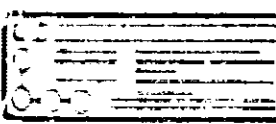


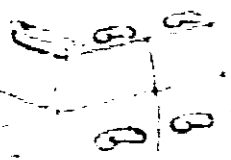


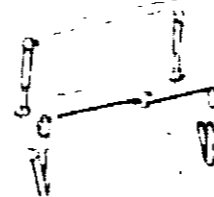

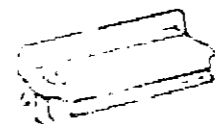
MC 358 B

MCE358B

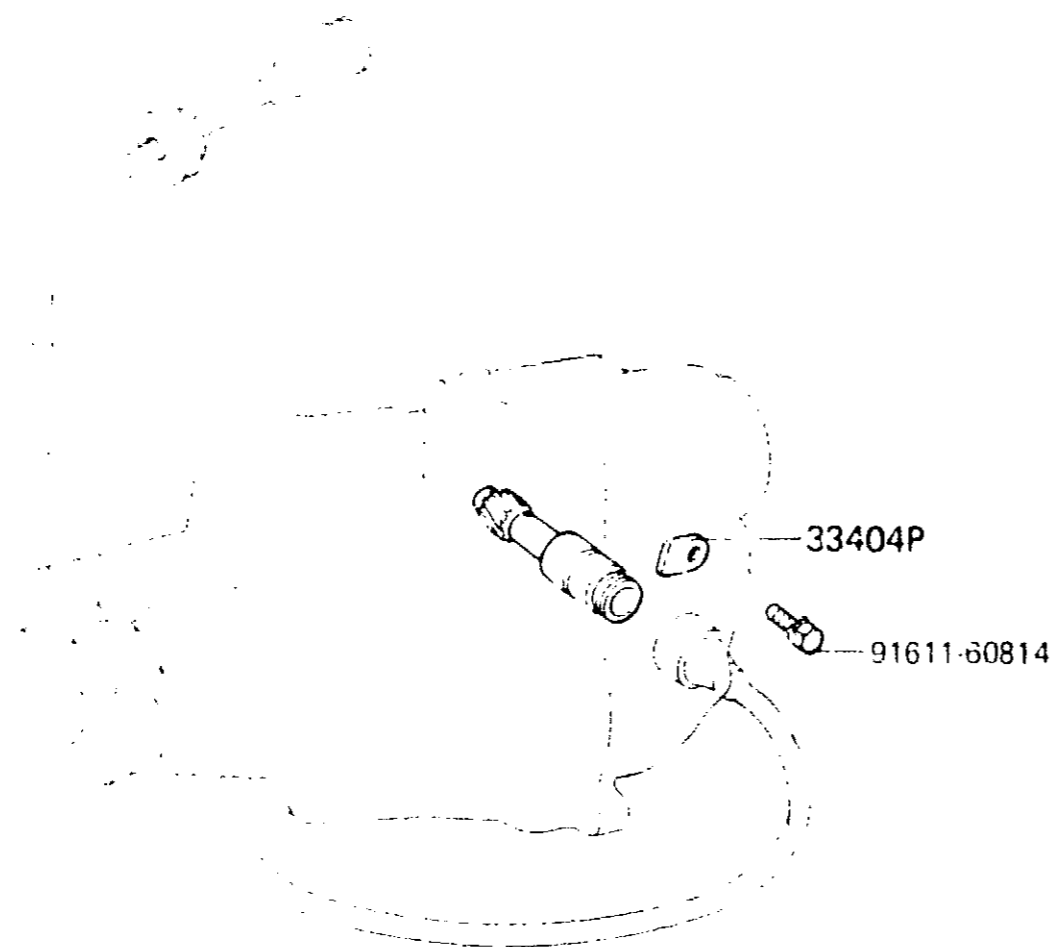
PROD. DATE	MODELS	DESCRIPTION	R / P	PART NUMBER	Q T Y.	REV. REF	
						F	T
8708-8803 8803-9001	FJ62 FJ62	LEAF, FRONT SPRING, NO.4		48114-60410- 48114-60411-	2 2		
8708-8803 8803-9001	FJ62 FJ62	LEAF, FRONT SPRING, NO.5		48103-60410- 48103-60411-	2 2		
8708-8803 8803-9001	FJ62 FJ62	SPRING ASSY, FRONT, LH		# 48110-60410- (48110-60411-) 48110-60411-	1 1 1		
8708-8803 8803-9001	FJ62 FJ62	BOLT, FRONT SPRING, CENTER		48147-60410- 48147-60223-	2 2		
8708-9001	FJ62	SILENCER		48252-26070-	8		
8708-9001	FJ62	BUMPER, FRONT SPRING, NO.1		48304-60031-	2		
8708-9001	FJ62	BRACKET SUB-ASSY, SPRING, NO.1		48401-60020-	2		
8708-9001	FJ62	BRACKET, SPRING, NO.2, RH		48412-60021-	1		
8708-9001	FJ62	BRACKET, SPRING, NO.2, LH		48413-60032-	1		

PROD. DATE	MODELS	DESCRIPTION	R / P	PART NUMBER	Q T Y.	REV. REF	
						F	T
8708-9001	FJ62	PLATE, DISTANCE (FOR FRONT)		48475-60020-	1		
8708-9001 8708-9001	FJ62 FJ62	BOLT, U (FOR FRONT SPRING) L=190 L=200		90117-14036- 90117-14051-	X X		
8708-9001	FJ62	ABSORBER ASSY, SHOCK, FRONT RH		48511-69095-	1		
8708-9001	FJ62	RETAINER, CUSHION, NO.1 (FOR FRONT SHOCK ABSORBER)		90948-02017-	2		
8708-9001	FJ62	RETAINER, CUSHION, NO.2 (FOR FRONT SHOCK ABSORBER)		90948-02114-	4		
8708-9001	FJ62	WASHER, FRONT SHOCK ABSORBER CUSHION, NO.2		90948-03011-	2		
8708-9001 8708-9001	FJ62 FJ62	BUSH (FOR FRONT SHOCK ABSORBER) LWR UPR		90385-19003- 90948-01031-	4 4		
8708-9001	FJ62	BRACKET, FRONT SHOCK ABSORBER, UPPER RH		48512-60031-	1		
8708-9001	FJ62	BRACKET, FRONT SHOCK ABSORBER, UPPER LH		48512-60031-	1		
8708-9001	FJ62	ABSORBER ASSY, SHOCK, FRONT LH		48511-69095-	1		

PART NUMBER	LOCATION	PART NUMBER	LOCATION	PART NUMBER	LOCATION	PART NUMBER	LOCATION	PART NUMBER	LOCATION	PART NUMBER	LOCATION
90389-18002-	2L9	90467-08011-	3F2	90501-17008-	2F3	90521-99021-	2L1	90916-03071-	1K2	S 90937-01418-	7I5
90401-08004-	1L4		3J1	-18677-	2F1	-99040-	2H2	90917-06004-	1E3	S -01419-	2I5
-12097-	1L4	-09014-	3J1	-19002-	2B3	-99041-	2H2	-06012-	1E3	90942-01047-	2K5
-14093-	1F2	-11085-	1L2	-20012-	2J8	-99042-	2G2	-06023-	1E3	-02052-	2J5
-18083-	1H2	-12035-03	3B3	-20083-	2F5	-99043-	2K1	-06024-	1E3	-02053-	2K6
90402-16042-	1F2	-12035-06	3B3		2H6	90522-32011-	2L7	-10049-	1M3	-03079-	2K5
-26002-	1M4	-13001-	1J4	-23014-	2F7	-40043-	2H8	-10065-	2J4	-03080-	2K5
90404-10018-	2G5		1K2	-27008-	2B3	-48044-	2H8	-10076-	1J3	-03081-	2K5
-10019-	2H6		1K4	-29003-	2G4	90523-05002-	2J2	-11023-	1M3	-03082-	2K5
-14012-	1J3	-15120-	1L1	-30014-	2C3	-06004-	2B3	90915-01064-	1B4	-03083-	2K5
-16008-	1F2	-16001-	2E8	-33004-	2M2	-06005-	2E3	-02113-	1B4	-03084-	2K5
-16022-	2K3	-16002-	2G8	-40008-	2B3	90524-15008-	1D2	-03086-	1C4	-03085-	2K5
-26003-	1M4	-18002-	1L1	-45011-	2A7	90541-03015-	3D2	-12745-	1B4	-03086-	2K5
-51093-	2J4	-22003-	1J4	-45114-	2M7	-06008-	2C8	-12746-	1B4	-03107-	2K5
-51319-	2G8	-23001-	1J3	-45347-	1C2	-08003-	3K7	-12747-	1B4	-05009-	2L5
-54035-	1C3	-28003-	1I3	90502-16004-	1D2			-12748-	1B4	90945-02034-	2M6
90407-10004-	2D8	-71110-	2C9	90503-04003-	2B3	90560-06009-	1F3	-12749-	1C4	-02038-	2M6
-14005-	2K3	-32002-	2L7	90506-12031-	2K8	-10406-	2D4	-12750-	1C4	90948-01031-	2I9
-16006-	2K3	-42001-	1L2	-12451-	2C9	-20008-	2J3	-12949-	1B4	-02015-	2J9
-16013-	2K3	90468-12003-	2I8	-18031-	2K8	-35008-	2D4	-12950-	1C4	-02017-	2I9
90410-11005-	1F2	-18071-	3E6	-20033-	2L8	-35009-	2G2	-12951-	1B4	-02032-	2J9
-18002-	1M4	90480-01336-	2A6	-23009-	2M6	-38003-	2E4	-12952-	1B4	-02033-	2D9
90413-04005-	2J4	-13005-	1K4	-26011-	2J8	-72001-	2G2	-12953-	1C4	-02114-	2I9
-10042-	2B9	-13012-	2A6	-26014-	2K8	-72002-	2G2	-12954-	1C4	-03011-	2A10
-10106-	2C9	-15002-	3L1	90507-14001-	2B7	-72003-	2G2	-13271-	1B4		2I9
-10214-	2B9	-17019-	2A6	90508-29017-	3M7	90561-04010-	2H7	-13328-	1B4	P 90950-01073-03	3E3
90430-06104-	2D8	-17158-	2A8	-30004-	2J3	-06006-	2I2	-21410-	1B4	P -01073-06	3E3
-08009-	1L4	-17177-	2B1	90520-01002-	3A5	-09005-	1L2	90923-01349-	1L4	S 90980-05022-	3K10
-08011-	1L4	-17401-	2G4	-15001-	3H5	-10004-	1K4	-01350-	1L4	S -05067-	3K10
-09253-	2D8	-18001-	1L1	-17042-	2E7	90562-18151-	2D8	-05011-	1H1	S -05106-	3K10
-10022-	2E8	-20016-	2A6	-22013-	2M6	-30002-	2J7	90925-03057-	1M3	S -05110-	3K10
	2I4	90501-06043-	2E3		2H2	-31002-	2K7	90929-01189-	1M4	N -05127-	3K10
-12005-	1L4	-07005-	2B1	-27091-	2J6	-32002-	2K7	-01192-	1C4	-07003-	3M8
-12011-	1I1	-07009-	2B1	-28036-	2J6	-48001-	2J7	90930-03075-	2B4	-07048-	3M8
-12019-	1I1	-07040-	2E3	-29024-	2L4	-67002-	2K7	-03094-	2G1	-07251-	3M8
-12245-	3J7	-07042-	2F3	-29025-	2L4	90564-06002-	2G3	90937-01117-	2I5	90981-05034-	3A8
-15261-	1F2	-07049-	2E3	-29026-	2L4	-70001-	2D4	-01118-	2I5	-05035-	3A8
-18008-	2A4		2F3	-29027-	2L4	-70002-	2D4	-01119-	2I5	P -11004-	3J8
-18012-	1H2	-07065-	2I2	-29051-	1C2	-70003-	2D4	-01121-	2I5	-11010-	3E9
-26002-	2F5	-08062-	2F3	-31001-	2K6	-70004-	2D4	-01122-	2I5	-11018-	3D9
	2G6	-08075-	2G3	-33009-	2E2	-70005-	2D4	-01132-	2K4		3J8
-43002-	1K2	-08095-	2D3	-33107-	2E4	-70006-	2D4	-01147-	2K4	P -11020-	3E8
90445-11072-	2H1	-09056-	2D3	-35110-	2E4	-70007-	2D4	-01148-	2K4	P -12010-	3D8
-12065-	1L2	-10087-	2K1	-50001-	2A2	-70008-	2D4	-01149-	2K4	P 90982-01414-	3K8
-12078-	1L2	-10092-	2A2		2B2	-70009-	2D4	-01150-	2K4	-02207-	3K8
-14072-	3G10	-10094-	2A3	-87001-	2L1	-70010-	2D4	-01151-	2K4	-05030-	3K8
-16038-	1L1	-10098-	2B3	90521-01002-	2F2	-70011-	2E4	-01152-	2K4	-08251-	3B9
-18089-	2G7	-10099-	2G3		2A7	-70012-	2E4	-01184-	2K4		
-18090-	2G7	-10107-	2C3	-22011-	2A7	-70013-	2E4	-01191-	2K4	-09002-	3H9
-22015-	3J7	-10108-	2B2	-22012-	2A7	90587-08001-	2A6	-01192-	2K4	-09003-	3H9
-22904-	3J7	-10126-	2G3	-22013-	2A7	90910-01006-	1D2	-01193-	2K4	-09004-	3H9
-31018-	1I3	-10138-	2A8	-25002-	1A2	-01012-	1D2	-01194-	2K4	-09005-	3H9
90446-06013-	3F10	-10745-	2A8	-44002-	2D7	-02050-	1F1	-01268-	2K4	90987-01003-	3J9
-06292-	3F10	-11024-	2A3		2K7	-02057-	1H1	-01269-	2K4	-02004-	3H9
90447-12058-	3K7	-11030-	2A3	-75023-	2E4	-04012-	3F2	-01408-	2I5		3K9
90460-01001-	2G7	-11041-	2E3	-90002-	2L1	-12079-	1M3	-01409-	2I5	-02006-	3J9
90461-10387-	2H6	-12083-	2G3	-99017-	2B2	90913-02048-	1C2	-01410-	2I5	-03001-	3J9
-10558-	2G5	-12086-	2I2		2L1	-03005-	1D2	-01411-	2I5	-04002-	3J9
90462-12038-	2K3	-12090-	2A3	-99016-	2H2	-03012-	1D2	-01412-	2I5	90999-00066-	3A6
90464-00105-	1C4	-12099-	2H7	-99019-	2L1	-05020-	1D2	-01413-	2I5	-00104-	3A6
-00208-	1C4	-12103-	2E7	-99021-	2D2	90915-01014-	1I1	-01414-	2I5	-73072-	1A2
90467-06161-18	3E4	-14087-	1D2		2F2	90916-02141-	1A3	-01415-	2I5	S -92003-	2J4
-07041-03	3E3	-15006-	2E3		2H2	-02193-	1A3	-01416-	2I5	91121-51070-	2C8
-07041-06	3E3	-6115-	2F4		2K1	-03052-	1K2	-01417-	2I5	91111-60850-	2F1

<p>3D1 (51-53) 1</p>  <p>Spare Wheel Carrier</p>	<p>3H1 (52-53) 2</p>  <p>Rear Bumper & Stay</p>	<p>3B2 (55-51) 3</p>  <p>Instrument Panel</p>	<p>3I2 (58-51) 4</p>  <p>Front Floor Panel & Member</p>	<p>3I.2 (58-52) 5</p>  <p>Rear Floor Panel & Member</p>	<p>3B3 (58-54) 6</p>  <p>Floor Mat & Pad</p>	
<p>BODY GROUP (2/2)</p>						
<p>3G7 (75-54) 21</p>  <p>Tool Box & License Bracket</p>					<p>3D3 (58-55) 7</p>  <p>Console Box</p>	
<p>3B7 (75-51) 20</p> <p>TOYOTA</p> <p>4WD</p> <p>Emblem & Name Plate</p>					<p>3K3 (61-52) 8</p>  <p>Side Window</p>	
<p>3A7 (74-56) 19</p>  <p>Ash Receptacle</p>					<p>3A4 (61-55) 9</p>  <p>Rear & Roof Ventilator</p>	
<p>3M6 (74-55) 18</p>  <p>Caution Plate</p>	<p>3L7 (78-51) 22</p>  <p>Accelerator Link</p>					<p>3B4 (64-51) 10</p>  <p>Inside Trim Board</p>
<p>3J6 (74-51) 17</p>  <p>Armrest & Visor</p>	<p>3H6 (71-52) 16</p>  <p>Seat Belt</p>	<p>3C6 (71-51) 15</p>  <p>Seat & Seat Track</p>	<p>3L5 (67-62) 14</p>  <p>Back Door Lock & Hinge</p>	<p>3J5 (67-61) 13</p>  <p>Back Door Panel & Glass</p>	<p>3G4 (64-55) 12</p>  <p>Deck Board & Deck Trim Cover</p>	

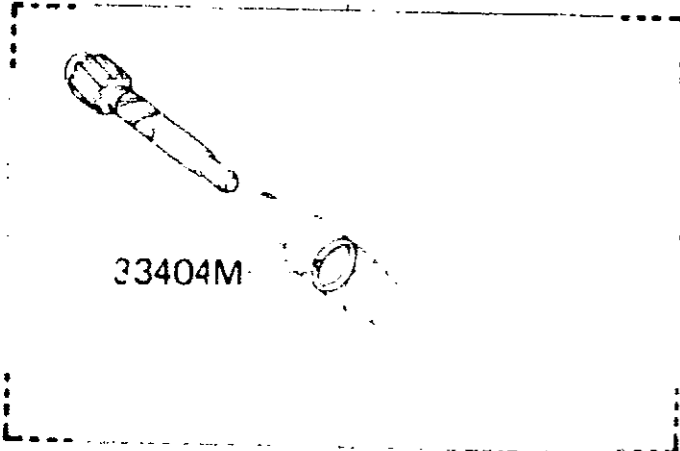
(8708-
A440F)



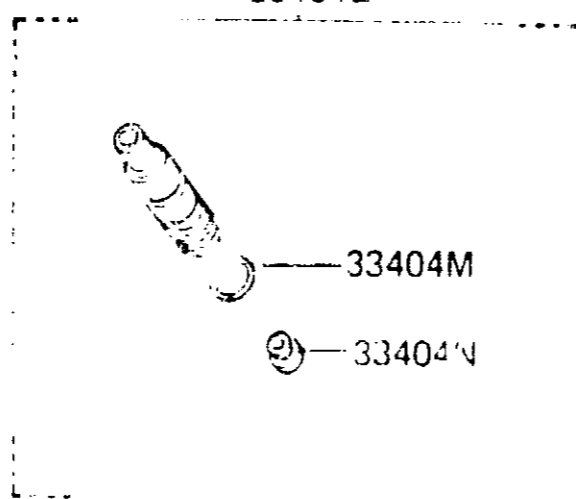
PROD. DATE	MODELS	DESCRIPTION	R / P	PART NUMBER	QTY.	REV. REF	
						F	T
	33403G	GEAR SUB-ASSY, SPEEDOMETER DRIVEN (ATM)					
A 8708-9001	FJ62	N=18, MARK 6:18		33403-69195-	1		
	33404L	SLEEVE SUB-ASSY, SPEEDOMETER SHAFT (FOR ATM)					
8708-9001	FJ62			33404-30040-	1		
	33404M	RING, O (FOR ATM SPEEDOMETER SHAFT SLEEVE)					
8708-9001	FJ62			90301-18004-	1		
	33404N	SEAL OIL (FOR ATM SPEEDOMETER SHAFT SLEEVE)					
8708-9001	FJ62			90110-09001-	1		
	33404P	PLATE, SPEEDOMETER SLEEVE LOCK (FOR ATM)					
8708-9001	FJ62			33485-30020-	1		

33403G

33404L



33404M



33404M

33404N

MC F090 A

PROD. DATE	MODELS	DESCRIPTION	R / P	PART NUMBER	Q T Y.	REV. REF	
						F	T
8708-9001	FJ62	ROD SUB-ASSY, PARKING LOCK		35501-36010-	1		
8708-8709	FJ62	LEVER SUB-ASSY, MANUAL VALVE		35505-36010-	1		
8709-9001	FJ62			35505-36020-	1		
8708-9001	FJ62	SPACER (FOR MANUAL VALVE LEVER)		90560-20008-	1		
8708-9001	FJ62	PIN, SLTTED SPRING (FOR MANUAL VALVE LEVER)		90254-04012-	1		
P 8708-8909	FJ62	WASHER, PLATE (FOR MANUAL VALVE LEVER)		90201-12042-	2		
P 8708-8909	FJ62	WASHER, WAVE (FOR MANUAL VALVE LEVER)		90206-12001-	1		
8708-9001	FJ62	SEAL, OIL (FOR MANUAL VALVE LEVER SHAFT)		90311-12002-	2		
8708-9001	FJ62	CABLE ASSY, THROTTLE		35520-60050-	1		
8708-9001	FJ62	SHAFT, PARKING LOCK PAWL		35556-60010-	1		
8708-9001	FJ62	WASHER, PLATE (FOR PARKING LOCK PAWL SHAFT)		90201-16012-	2		

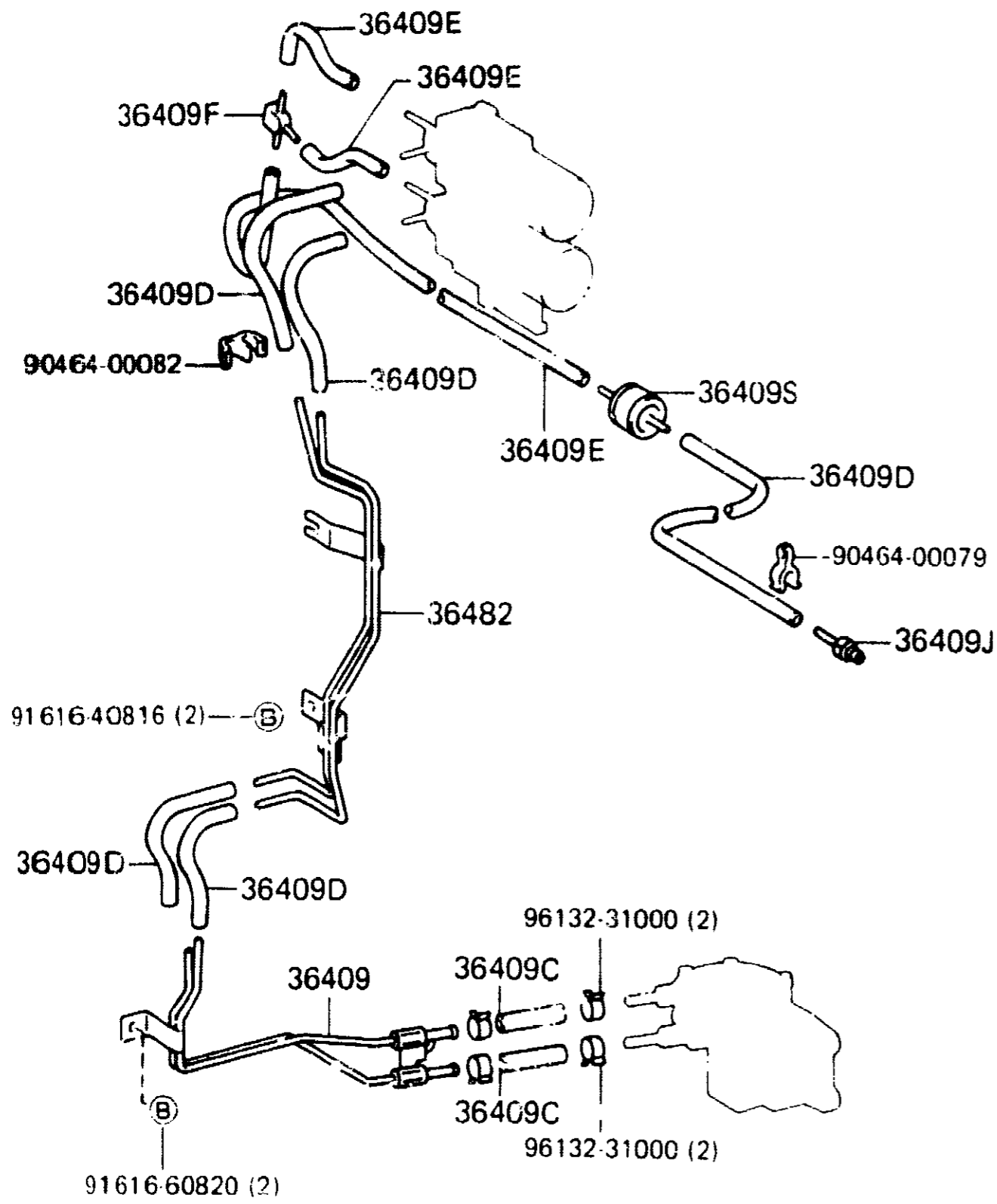
PROD. DATE	MODELS	DESCRIPTION	R / P	PART NUMBER	Q T Y.	REV. REF	
						F	T
8708-9001	FJ62	RING, SNAP (FOR PARKING LOCK PAWL SHAFT)		96150-01600-	1		
8708-9001	FJ62	PAWL, PARKING LOCK		35557-36010-	1		
8708-9001	FJ62	SPRING, TORSION (FOR PARKING LOCK PAWL)		90508-30004-	1		
8708-9001	FJ62	SHAFT, MANUAL VALVE LEVER		35561-60010-	1		
8708-9001	FJ62	LEVER, TRANSMISSION CONTROL SHAFT		35572-60020-	1		
8708-9001	FJ62	BRACKET, PARKING LOCK PAWL		35595-36010-	1		

FIG. 36-16 TRANSFER VACUUM PIPING

2J4

791430M-01167

(8708-)



MC E381-C

PROD. DATE	MODELS	DESCRIPTION	R / P	PART NUMBER	Q T Y.	REV. REF	
						F	T
8708-9001	FJ62	36409 SUPPORT SUB-ASSY, VACUUM TUBE UNION		36409-60040-	1		
8708-9001	FJ62	36409C HOSE, VACUUM, NO.1 (FOR FRONT DRIVE SHIFT) L=340		95441-09340-	2		
S 8708-9001	FJ62	36409D HOSE, VACUUM, NO.2 (FOR FRONT DRIVE SHIFT) *H,L=360		90999-92003-	1		
8708-9001	FJ62			# 95411-19930- (90999-92002-)	2		
8708-9001	FJ62			# 95411-19930- (90999-92002-)	2		
S 8708-9001	FJ62	36409E HOSE, VACUUM, NO.3 (FOR FRONT DRIVE SHIFT) *H,L=390		90999-92003-	1		
8708-9001	FJ62			# 95411-19930- (90999-92002-)	2		
8708-9001	FJ62	36409F WAY, 3 (FOR FRONT DRIVE SHIFT)		90413-04005-	1		
8708-9001	FJ62	36409J UNION (FOR FRONT DRIVE SHIFT)		90404-51093-	1		
8708-9001	FJ62	36409S VALVE, CHECK (FOR FRONT DRIVE SHIFT)		90917-10065-	1		
8708-9001	FJ62	36482 TUBE, FRONT DRIVE VACUUM, NO.2		36482-60100-	1		

*H,L = Cut hose to length as specified in remarks

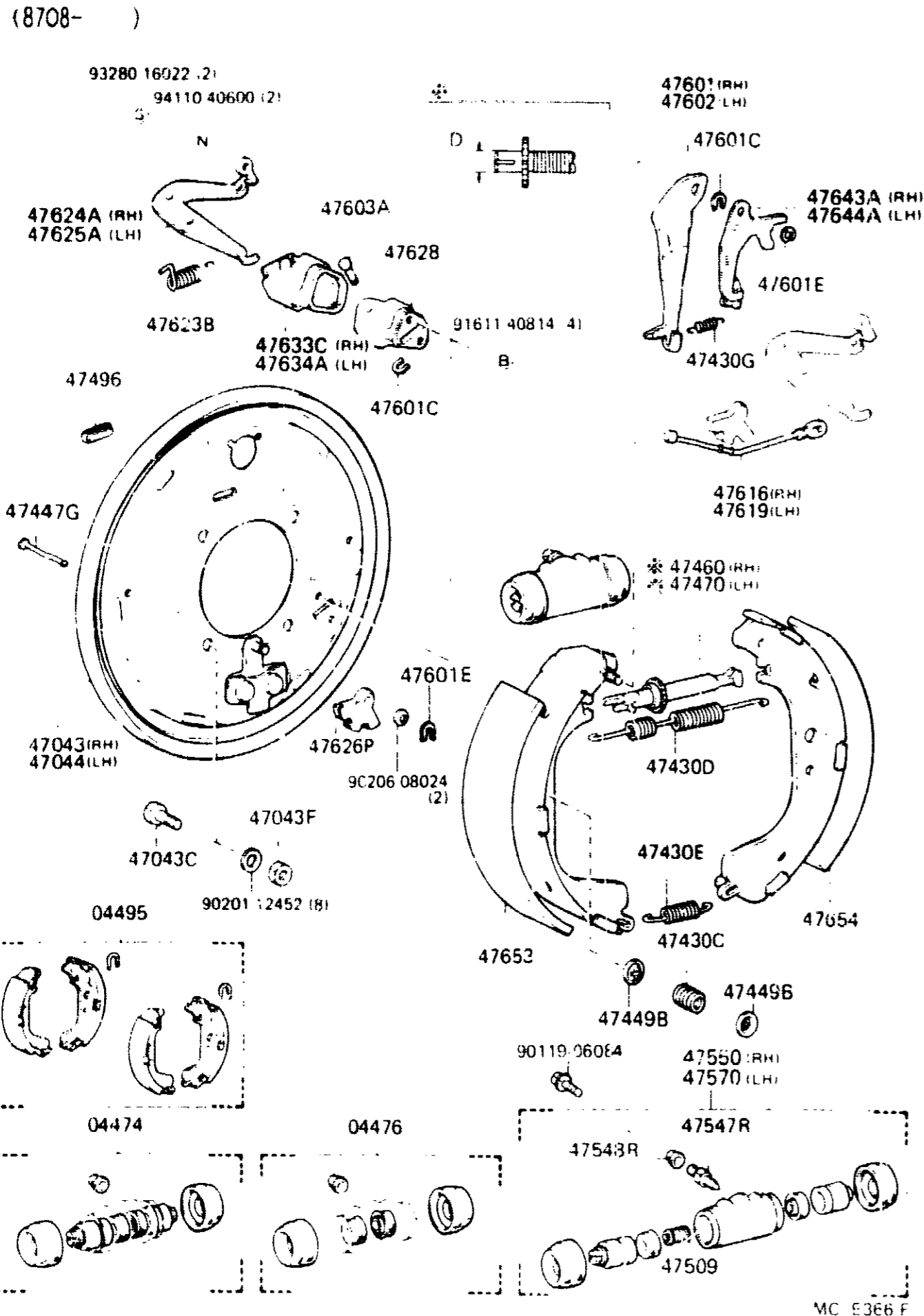
PROD. DATE	MODELS	DESCRIPTION	R / P	PART NUMBER	Q T Y.	REV. REF	
						F	T
8708-9001	FJ62	BEARING, TAPERED ROLLER (FOR REAR AXLE INNE' BEARING)		90368-49084-	2		
8708-9001	FJ62	BEARING, TAPERED ROLLER (FOR REAR AXLE OUTER BEARING)		90368-45087-	2		
8708-9001	FJ62	SEAL, OIL (FOR REAR AXLE HUB)		90311-62001-	2		
8708-9001	FJ62	SCREW, REAR AXLE BEARING LOCK NUT		42419-60011-	4		
A 8708-9001	FJ62	HUB (OR SHAFT) & BRAKE DRUM REAR AXLE, RH		42420-60110-	2		
8708-9001	FJ62	NUT, REAR AXLE BEARING LOCK		42427-60021-	2		
8708-9001	FJ62	PLATE, REAR AXLE LOCK NUT		42428-60011-	2		
8708-9001	FJ62	DEFLECTOR, BRAKE DRUM OIL		42441-30010-	1		
8708-9001	FJ62	GASKET, BRAKE DRUM OIL DEFLECTOR		42443-55020-	1		
8708-9001	FJ62	BOLT, HUB (FOR REAR AXLE)		90942-02052-	6		

PROD. DATE	MODELS	DESCRIPTION	R / P	PART NUMBER	Q T Y.	REV. REF	
						F	T
8708-9001	FJ62	GASKET, REAR AXLE OUTER SHAFT FLANGE		43422-60020-	2		

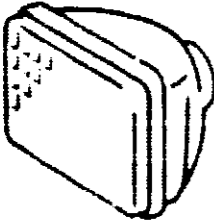
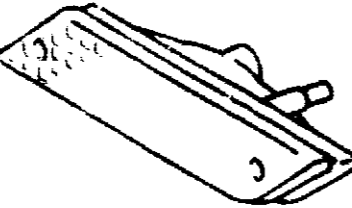

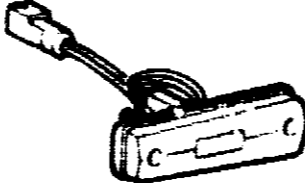
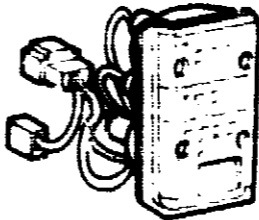

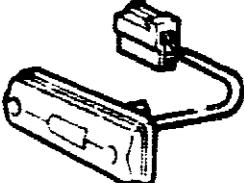
FIG. 47-06 REAR BACKING PLATE & WHEEL CYLINDER

2J8

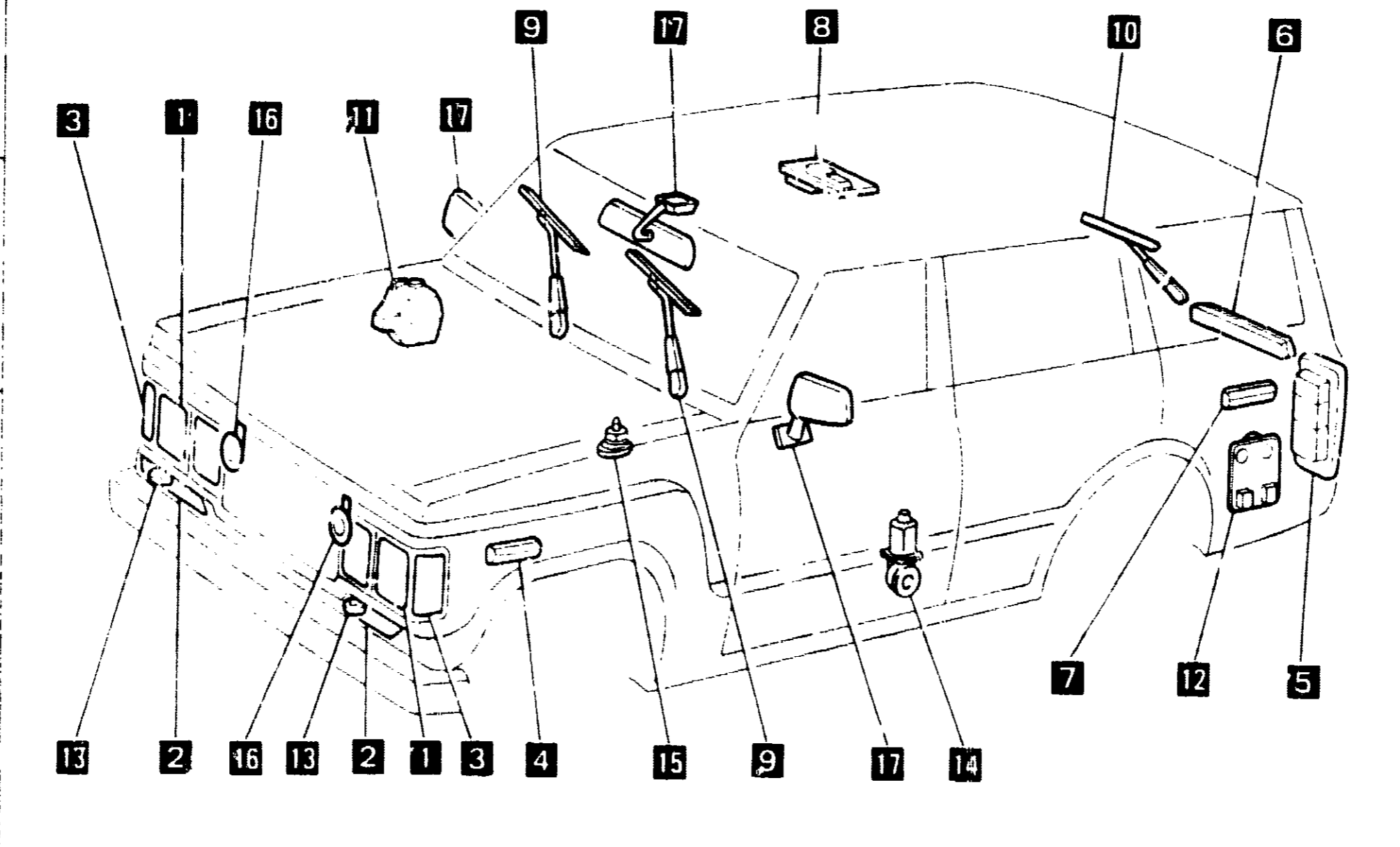
791430M-01219


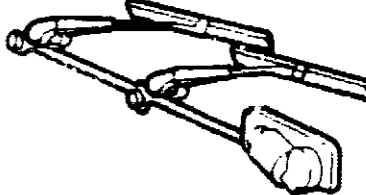
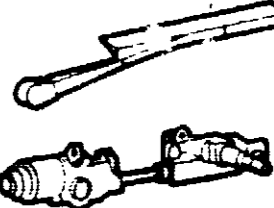
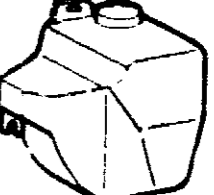


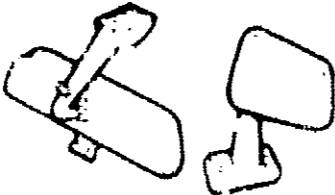

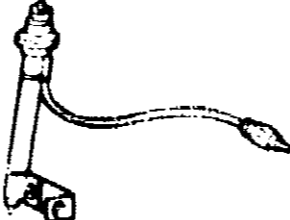

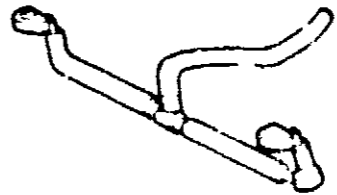
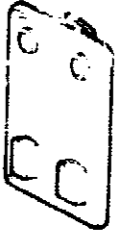
PROD. DATE	MODELS	DESCRIPTION	R / P	PART NUMBER	Q T Y.	REV. REF	
						F	T
8708-9001	FJ62	04474 CYLINDER KIT, REAR WHEEL		04474-60010-	2		
8708-9001	FJ62..WGG	04476 CUP KIT, REAR WHEEL CYLINDER		04476-60050-	2		
8708-8809	FJ62	04495 SHOE KIT, REAR BRAKE		# 04495-60010- (04495-60011-)	1		
8809-9001	FJ62..WGG			04495-60011-	1		
P 8708-9001	FJ62	47043 PLATE SUB-ASSY, BRAKE BACKING, REAR RH		47043-60050-	1		
B 9001-9001	FJ62..WGG			47043-60090-	1		
8708-9001	FJ62	47043C BOLT (FOR BACKING PLATE TO REAR AXLE HOUSING SETTING) L=351.5		90101-12021-	8		
8708-9001	FJ62	47043F NUT (FOR BACKING PLATE TO REAR AXLE HOUSING SETTING)		94110-40600-	2		
8708-9001	FJ62			94115-71200-	8		
P 8708-9001	FJ62	47044 PLATE SUB-ASSY, BRAKE BACKING, REAR LH		47044-60010-	1		
B 9001-9001	FJ62..WGG			47044-60040-	1		
8708-5001	FJ62	47430C SPRING (FOR REAR BRAKE SHOE HOLD DOWN)		90501-20012-	2		
8708-9001	FJ62	47430D SPRING, TENSION (FOR REAR BRAKE SHOE RETURN)		90506-26011-			

<p>3A8 (81-01) 1</p>  <p>Headlamp</p>	<p>3C8 (81-03) 2</p>  <p>Front Turn Signal Lamp</p>	<p>3D8 (81-04) 3</p>  <p>Front Clearance Lamp</p>	<p>3E8 (81-05) 4</p>  <p>Front Marker Lamp</p>	<p>3F8 (81-11) 5</p>  <p>Rear Combination Lamp</p>	<p>3H8 (81-13) 6</p>  <p>License Plate Lamp</p>	<p>3I8 (81-14) 7</p>  <p>Rear Side Marker Lamp</p>
---	---	--	--	--	---	--

ELECTRICAL GROUP (1/2)

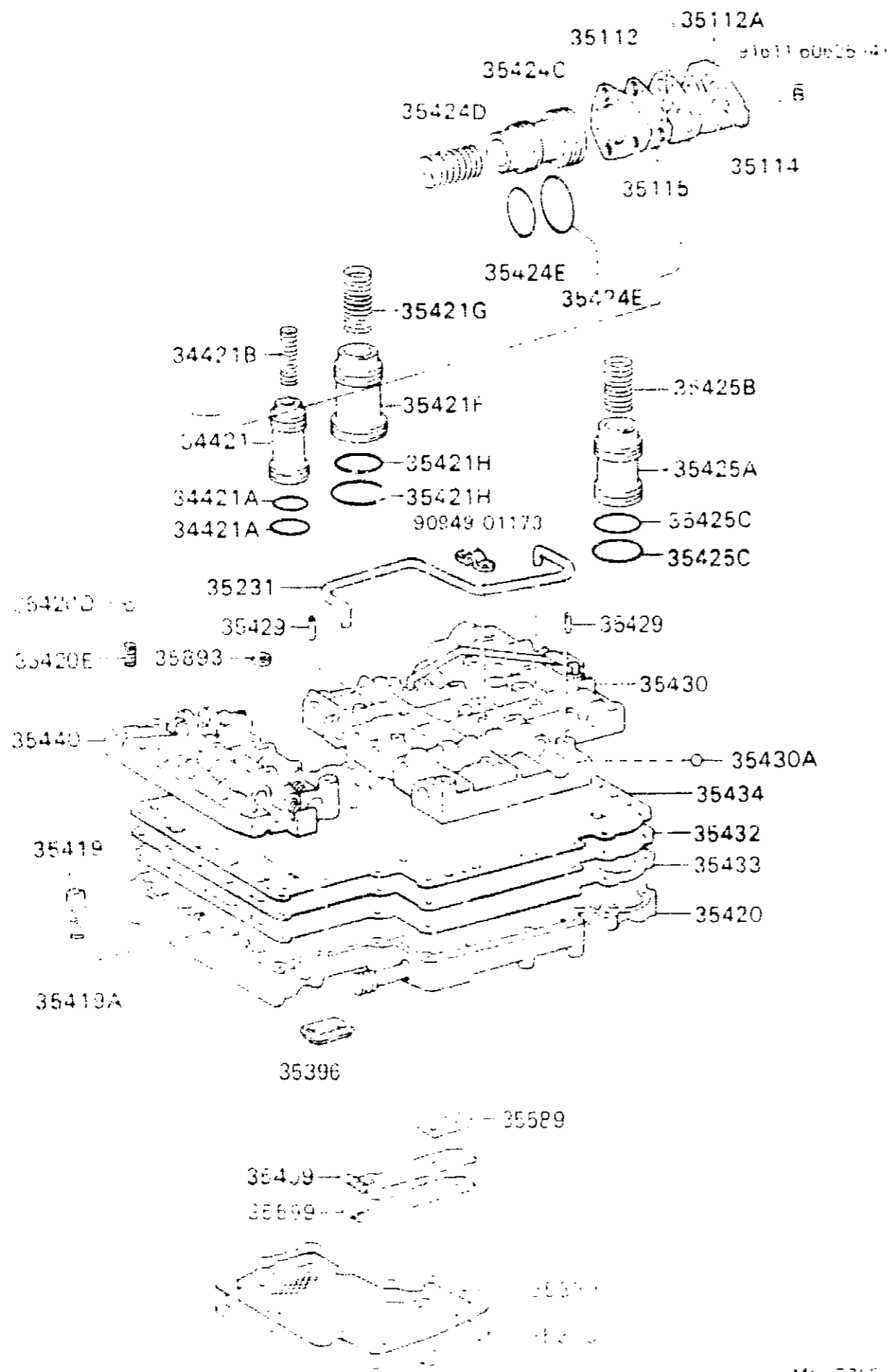


<p>3J8 (81-21) 8</p>  <p>Interior Lamp</p>
<p>3A10 (85-01) 9</p>  <p>Windshield Wiper</p>
<p>3C10 (85-02) 10</p>  <p>Rear Wiper</p>
<p>3D10 (85-03) 11</p>  <p>Windshield Washer</p>

<p>3C11 (87-01) 17</p>  <p>Mirror</p>	<p>3B11 (86-11) 16</p>  <p>Horn</p>	<p>3A11 (86-04) 15</p>  <p>Antenna</p>	<p>3I10 (85-11) 14</p>  <p>Door Motor & Door Solenoid</p>	<p>3G10 (85-05) 13</p>  <p>Headlamp Cleaner</p>	<p>3F10 (85-04) 12</p>  <p>Rear Washer</p>
---	--	--	---	---	--

(8708-)
A440F

ILLUST. NO. 10F5

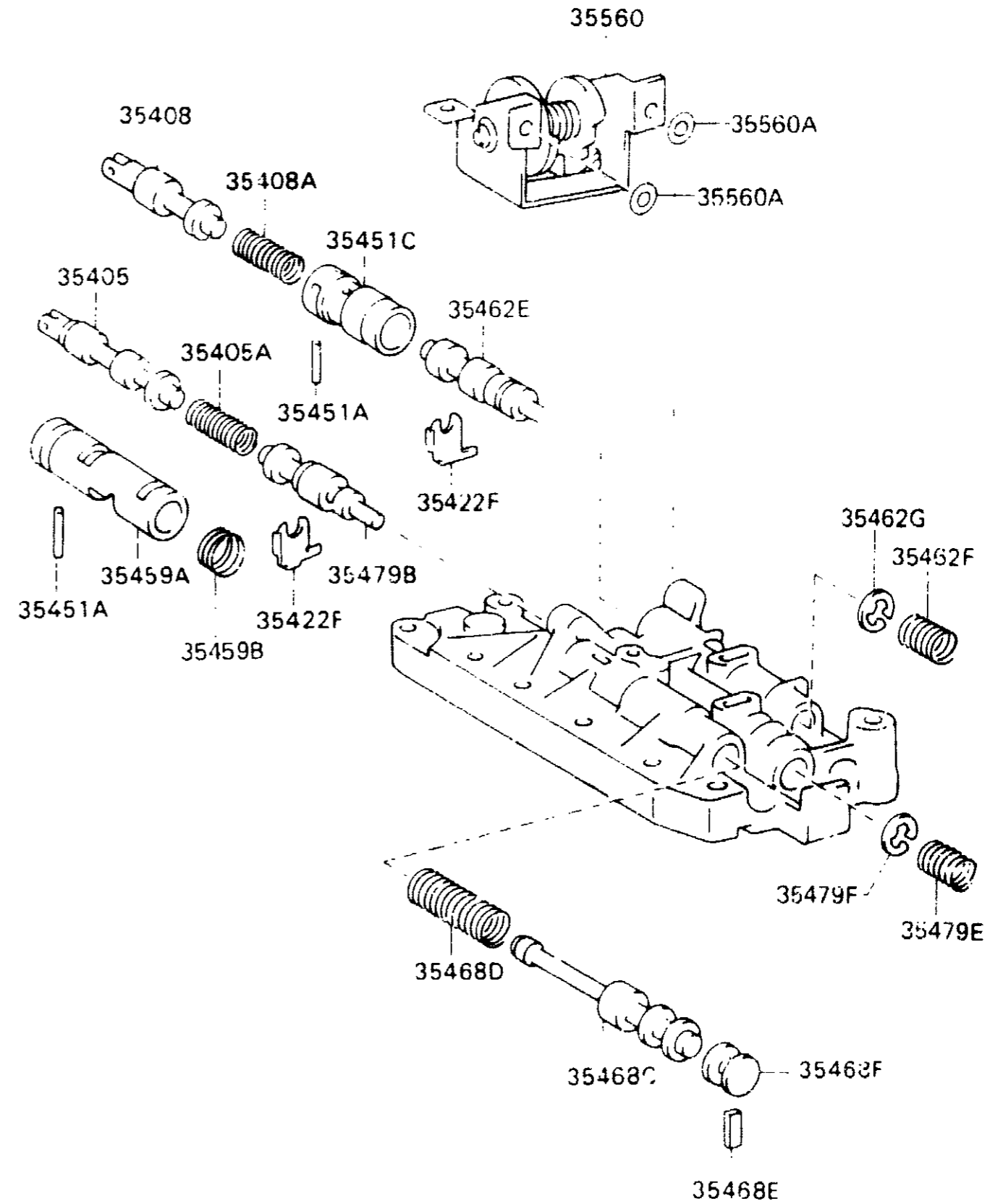


MC E262

(8708-)
A440F

ILLUST. NO. 20F5

Front Upper Valve Body

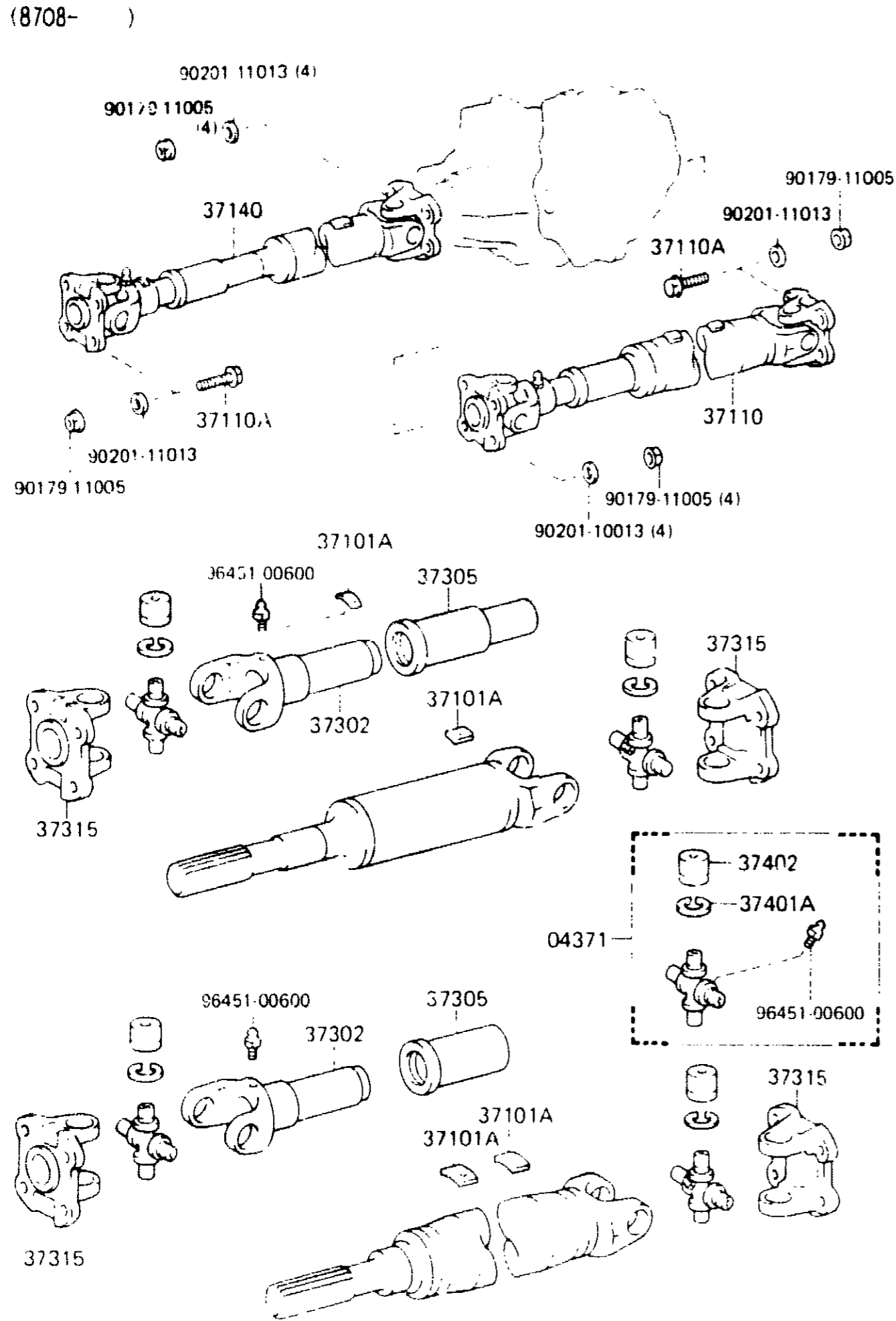


MC E265

FIG. 37-01 PROPELLER SHAFT & UNIVERSAL JOINT

2K4

791430M-01168



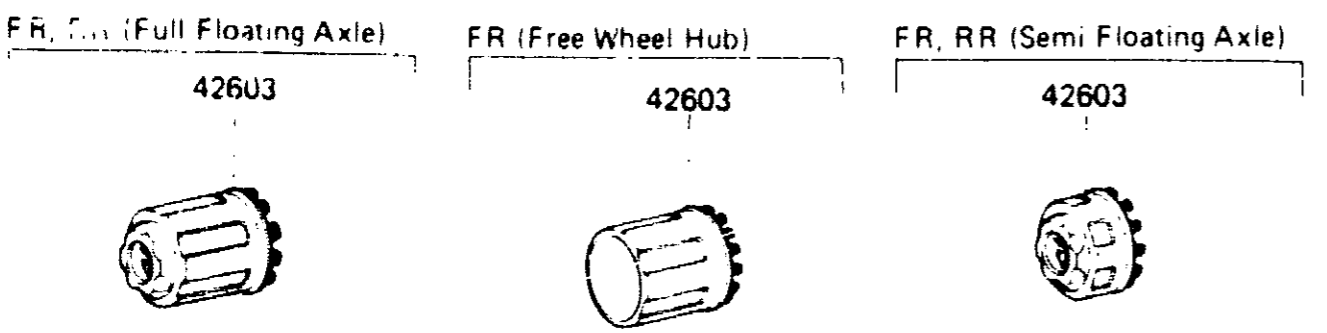
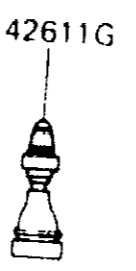
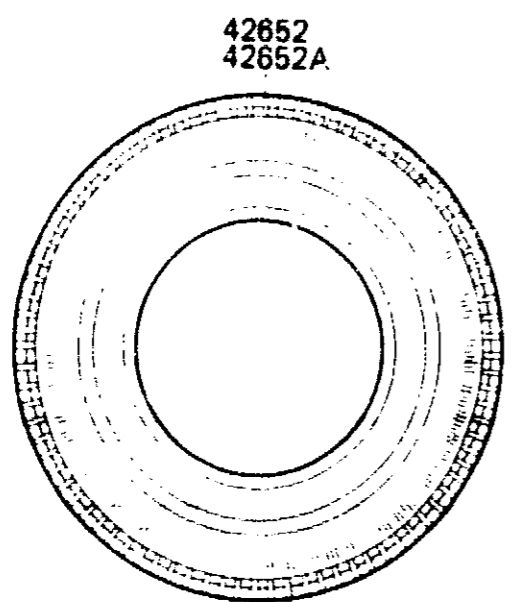
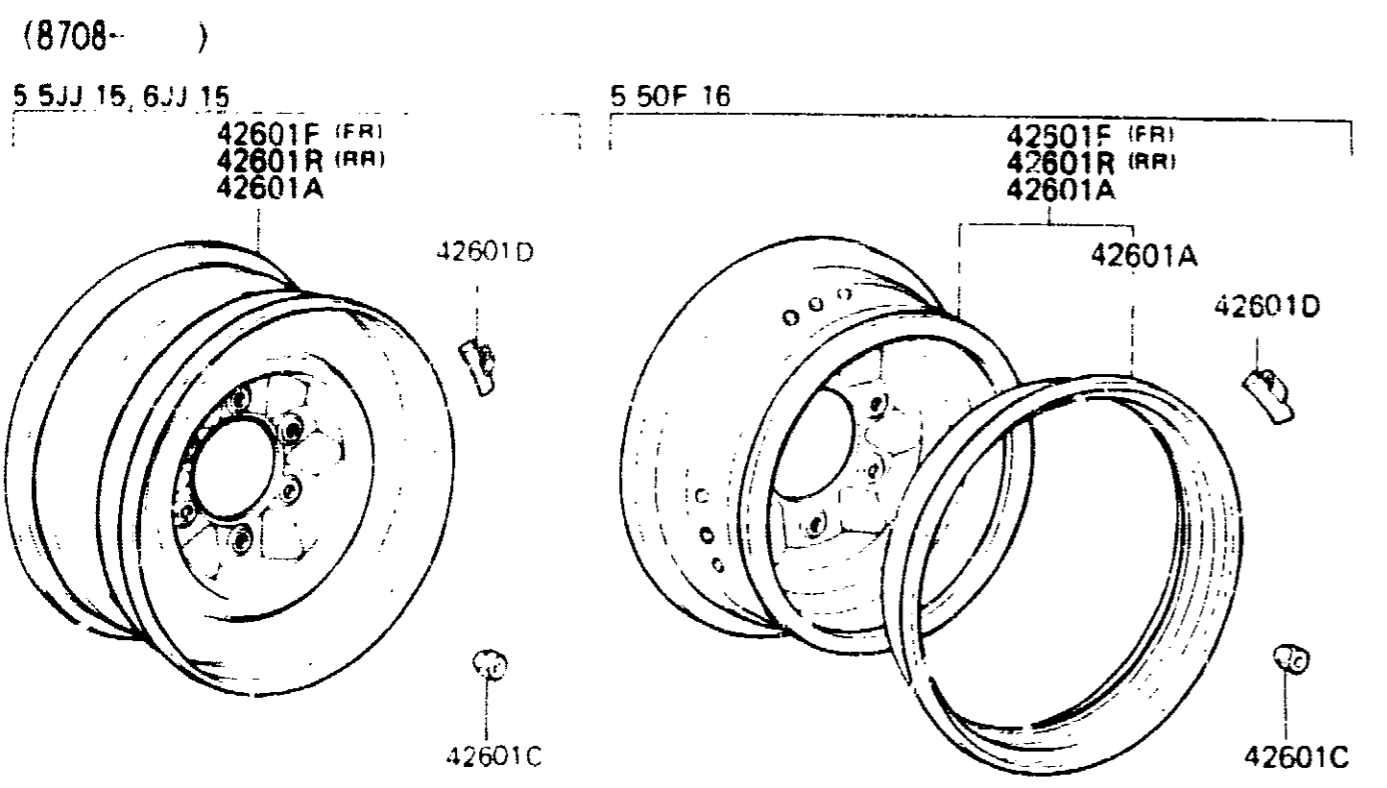
PROD. DATE	MODELS	DESCRIPTION	K / P	PART NUMBER	QTY.	REV. REF	
						F	T
8708-9001	FJ62	04371 SPIDER KIT, UNIVERSAL JOINT (FOR PROPELLER SHAFT)		04371-36030-	2		
8708-9001	FJ62	10G		90937-01132-	X		
8708-9001	FJ62	2G		90937-01147-	X		
8708-9001	FJ62	4G		90937-01148-	X		
8708-9001	FJ62	6G		90937-01149-	X		
8708-9001	FJ62	8G		90937-01150-	X		
8708-9001	FJ62	12G		90937-01151-	X		
8708-9001	FJ62	14G		90937-01152-	X		
8708-9001	FJ62	4G, FR SLEEVE YOKE		90937-01184-	X		
8708-9001	FJ62	8G, FR SLEEVE YOKE		90937-01191-	X		
8708-9001	FJ62	12G, FR SLEEVE YOKE		90937-01192-	X		
8708-9001	FJ62	16G		90937-01193-	X		
8708-9001	FJ62	20G		90937-01194-	X		
8708-9001	FJ62	36G		90937-01268-	X		
8708-9001	FJ62	40G		90937-01269-	X		
8708-9001	FJ62	37110 SHAFT ASSY, PROPELLER		37110-60410-	1		
8708-9001	FJ62	37110A BOLT (FOR PROPELLER SHAFT & DIFFERENTIAL SETTING)		90105-11013-	4		
8708-9001	FJ62	37140 SHAFT ASSY, PROPELLER, FRONT		37140-60290-	1		

MC B756 B

FIG. 41-03 DISC WHEEL & WHEEL CAP

2K5

791430M-01181



MC E383 A

PROD. DATE	MODELS	DESCRIPTION	R / P	PART NUMBER	Q T Y.	REV. REF	
						F	T
A 8708-9001	FJ62	42601A WHEEL, DISC (FOR SPARE)		42601-60221-D	1		
		6JJ-15, CHROM PLATE					
8708-9001	FJ62	42601C NUT, HUB (FOR AXLE)		90942-01047-	24		
8708-9001	FJ62	42601D WEIGHT, BALANCE (FOR DISC WHEEL)		90942-03079-	X		
		20G					
8708-9001	FJ62			90942-03080-	X		
8708-9001	FJ62			90942-03081-	X		
8708-9001	FJ62			90942-03082-	X		
8708-9001	FJ62			90942-03083-	X		
8708-9001	FJ62			90942-03084-	X		
8708-9001	FJ62			90942-03085-	X		
8708-9001	FJ62			90942-03086-	X		
8708-9001	FJ62			90942-03107-	X		
8708-9001	FJ62	42601F WHEEL, DISC (FOR FRONT)		42601-60221-D	2		
		6JJ-15, CHROM PLATE					
8708-9001	FJ62	42601R WHEEL, DISC (FOR REAR)		42601-60221-D	2		
		6JJ-15, CHROM PLATE					
8708-9001	FJ62	42603 ORNAMENT SUB-ASSY, WHEEL HUB		42603-35080-	2		
		FR, w/*FWH					
8708-9001	FJ62			42603-60012- (42603-60013-)	2		
						RR, *FFA	
8708-9001	FJ62			42603-60052-	2		
		RR, *SFA					

*FWH = Free Wheel Hub *SFA = Semi-Floating Axle *FFA = Full-Floating Axle

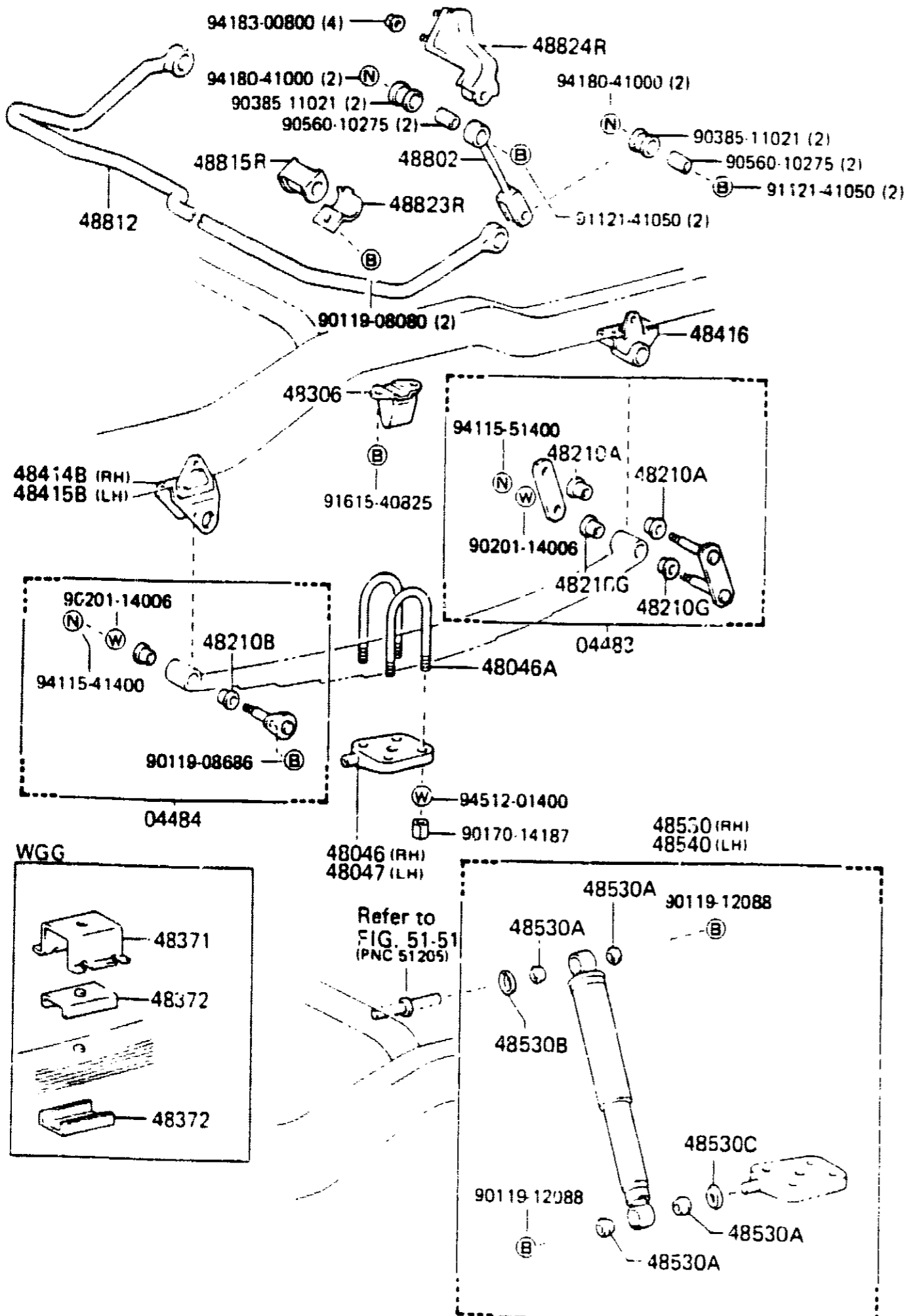
PROD. DATE	MODELS	DESCRIPTION	R / P	PART NUMBER	Q T Y.	REV. REF		
						F	T	
8708-9001	FJ62	HOUSING SUB-ASSY, POWER STEERING GEAR		44107-60060-	1			
8708-9001	FJ62	BEARING, NEEDLE ROLLER (FOR POWER STEERING GEAR HOUSING)		90364-32003-	2			
8708-9001	FJ62	RING, O (FOR POWER STEERING GEAR HOUSING)						
8708-9001	FJ62	OD=40.7, T=3.5		90301-33002-	1			
8708-9001	FJ62	OD=70.0, T=2.5		90301-65145-	1			
8708-9001	FJ62	OD=13.6, T=1.9		96711-19010-	1			
8708-9001	FJ62	RING (FOR POWER STEERING GEAR HOUSING)						
8708-9001	FJ62	OD=34.1, T=4.0		90562-31002-	1			
8708-9001	FJ62	OD=40.0, T=3.0		90562-32002-	1			
8708-9001	FJ62	RING, HOLE SNAP (FOR POWER STEERING GEAR HOUSING)						
8708-9001	FJ62			90521-44002-	1			
8708-9001	FJ62	SEAL, OIL (FOR POWER STEERING GEAR HOUSING)						
8708-9001	FJ62			90312-32002-	1			
8708-9001	FJ62	COVER SUB-ASSY, SIDE						
8708-9001	FJ62			44108-60010-	1			
8708-9001	FJ62	RING, O (FOR SIDE COVER)						
8708-9001	FJ62			90301-64002-	1			
8708-9001	FJ62	GEAR ASSY, POWER STEERING						
8708-9001	FJ62			44110-60060-	1			

PROD. DATE	MODELS	DESCRIPTION	R / P	PART NUMBER	Q T Y.	REV. REF		
						F	T	
8708-9001	FJ62	SHAFT, CROSS						
8708-9001	FJ62			44111-60040-	1			
8708-9001	FJ62	RING (FOR POWER PISTON NUT)						
8708-9001	FJ62			90562-67002-	1			
8708-9001	FJ62	RING, O (FOR POWER PISTON NUT)						
8708-9001	FJ62			90301-64005-	1			
8708-9001	FJ62	BALL (FOR POWER PISTON NUT)						
8708-9001	FJ62			90360-06021-	44			
8708-9001	FJ62	GUIDE, BALL						
8708-9001	FJ62			44115-30040-	2			
8708-9001	FJ62	CLAMP, BALL GUIDE						
8708-9001	FJ62			44116-30040-	1			
8708-9001	FJ62	RING, O (FOR ADJUSTER PLUG)						
8708-9001	FJ62			90301-51001-	1			
8708-9001	FJ62	SEAL, OIL (FOR ADJUSTER PLUG)						
8708-9001	FJ62			90311-19002-	1			
8708-9001	FJ62	BEARING (FOR ADJUSTER PLUG)						
8708-9001	FJ62			90369-22004-	1			
8708-9001	FJ62	NUT, LOCK						
8708-9001	FJ62			44142-22010-	1			

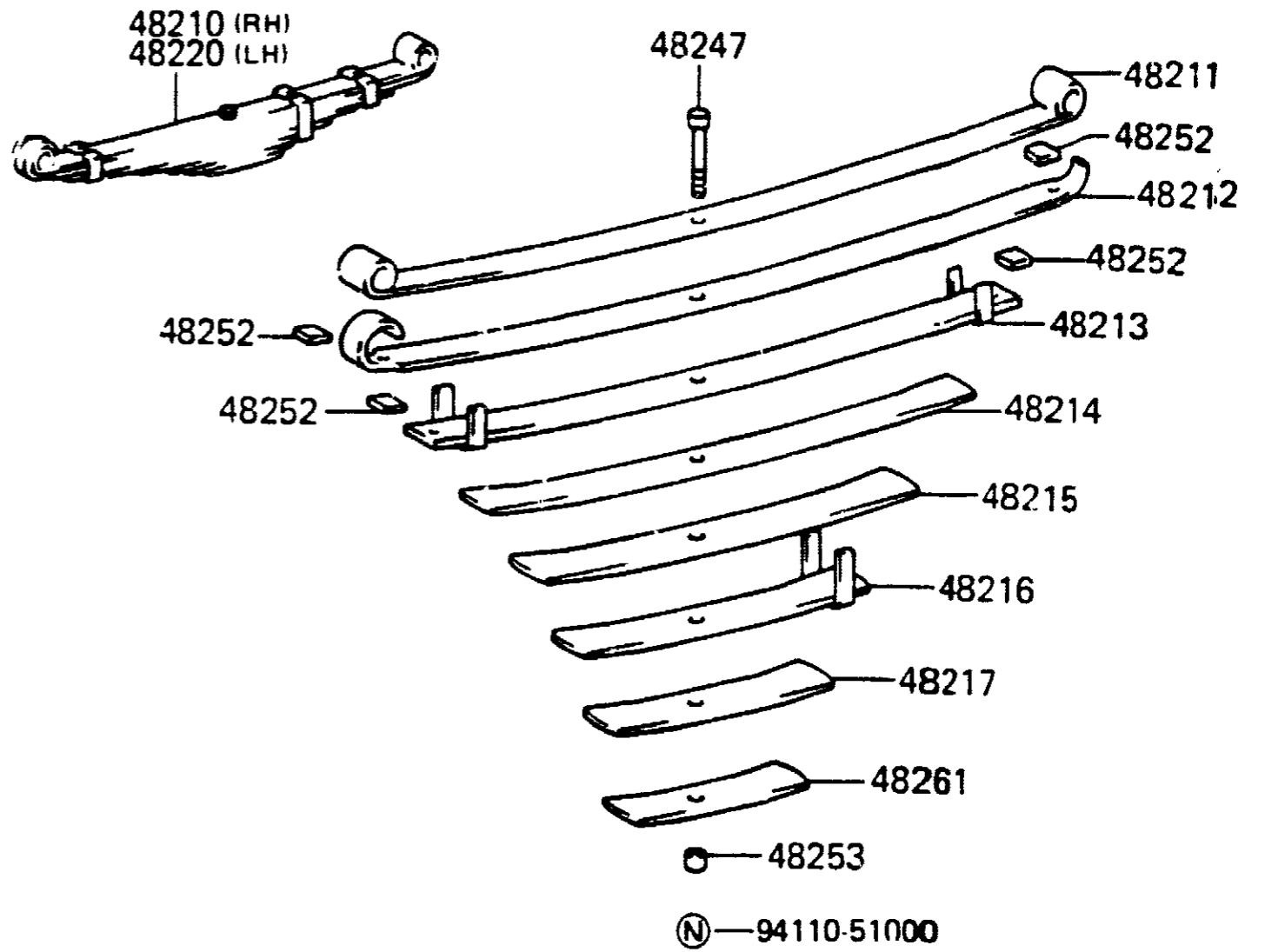
PROD. DATE	MODELS	DESCRIPTION	R / P	PART NUMBER	Q T Y.	REV. REF		
						F	T	
8708-9001	47430D CONTINUED FJ62	SPRING, TENSION (FOR REAR BRAKE SHOE RETURN) LH		90506-26014-	1			
8708-9001	47430E FJ62	SPRING, TENSION (FOR REAR BRAKE SHOE RETURN)		90506-18031-	1			
8708-9001	47430G FJ62	SPRING, TENSION (FOR REAR BRAKE AUTOMATIC ADJUST LEVER)		90506-12031-	1			
8708-9001	47447G FJ62	PIN, SHOE HOLD DOWN SPRING (FOR REAR BRAKE)		47447-60010-	2			
8708-9001	47449B FJ62	CUP, SHOE HOLD DOWN SPRING (FOR REAR BRAKE)		47449-30020-	4			
8708-9001	47460 FJ62	ADJUSTER ASSY, SHOE, RH (FOR REAR BRAKE)		47061-60011-	1			
8708-9001	47470 FJ62	ADJUSTER ASSY, SHOE, LH (FOR REAR BRAKE)		47062-60011-	1			
8708-9001	47496 FJ62	PLUG, HOLE (FOR REAR BRAKE)		47491-20011-	1			
8708-9001	47509 FJ62	SPRING SUB-ASSY, REAR WHEEL CYLINDER PISTON		47509-60010-	2			
8708-9001	47547R FJ62	PLUG, BLEEDER (FOR DRUM BRAKE, REAR)		47547-60020-	2			

PROD. DATE	MODELS	DESCRIPTION	R / P	PART NUMBER	Q T Y.	REV. REF		
						F	T	
8708-9001	47548R FJ62	CAP, BLEEDER PLUG (FOR DRUM BRAKE, REAR)		31478-30010-	2			
8708-9001	47550 FJ62	CYLINDER ASSY, REAR WHEEL BRAKE (FOR RH, FRONT OR UPPER)		47550-60120-	2			
8708-9001	47570 FJ62	CYLINDER ASSY, REAR WHEEL BRAKE (FOR LH, FRONT OR UPPER)		47550-60120-	2			
8708-9001	47601 FJ62	LEVER SUB-ASSY, PARKING BRAKE SHOE, RH (FOR REAR BRAKE)		47611-60010-	1			
8708-9001	47601C FJ62	WASHER, C (FOR REAR BRAKE)		90213-06013-	2			
8708-9001	47601E FJ62	RING, E (FOR REAR BRAKE)		90213-07010-	1			
8708-9001	47601E FJ62	FOR ADJUST LEVER		96160-00500-	1			
8708-9001	47601E FJ62	FOR SEGMENTAL PULL EY		96160-00600-	2			
8708-9001	47602 FJ62	LEVER SUB-ASSY, PARKING BRAKE SHOE, LH (FOR REAR BRAKE)		47612-60010-	1			
8708-9001	47603A FJ62	PIN, W/HOLE (FOR REAR BRAKE)		90249-08068-	2			
8708-9001	47616 FJ62	WIRE, PARKING BRAKE, RH		47616-60010-	2			


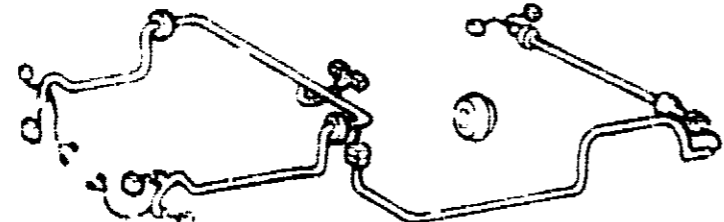
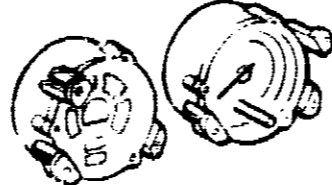
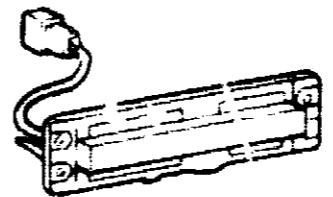
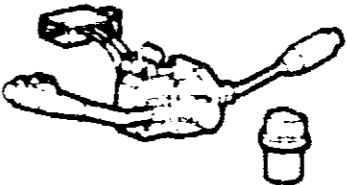
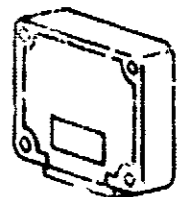
(8708-)



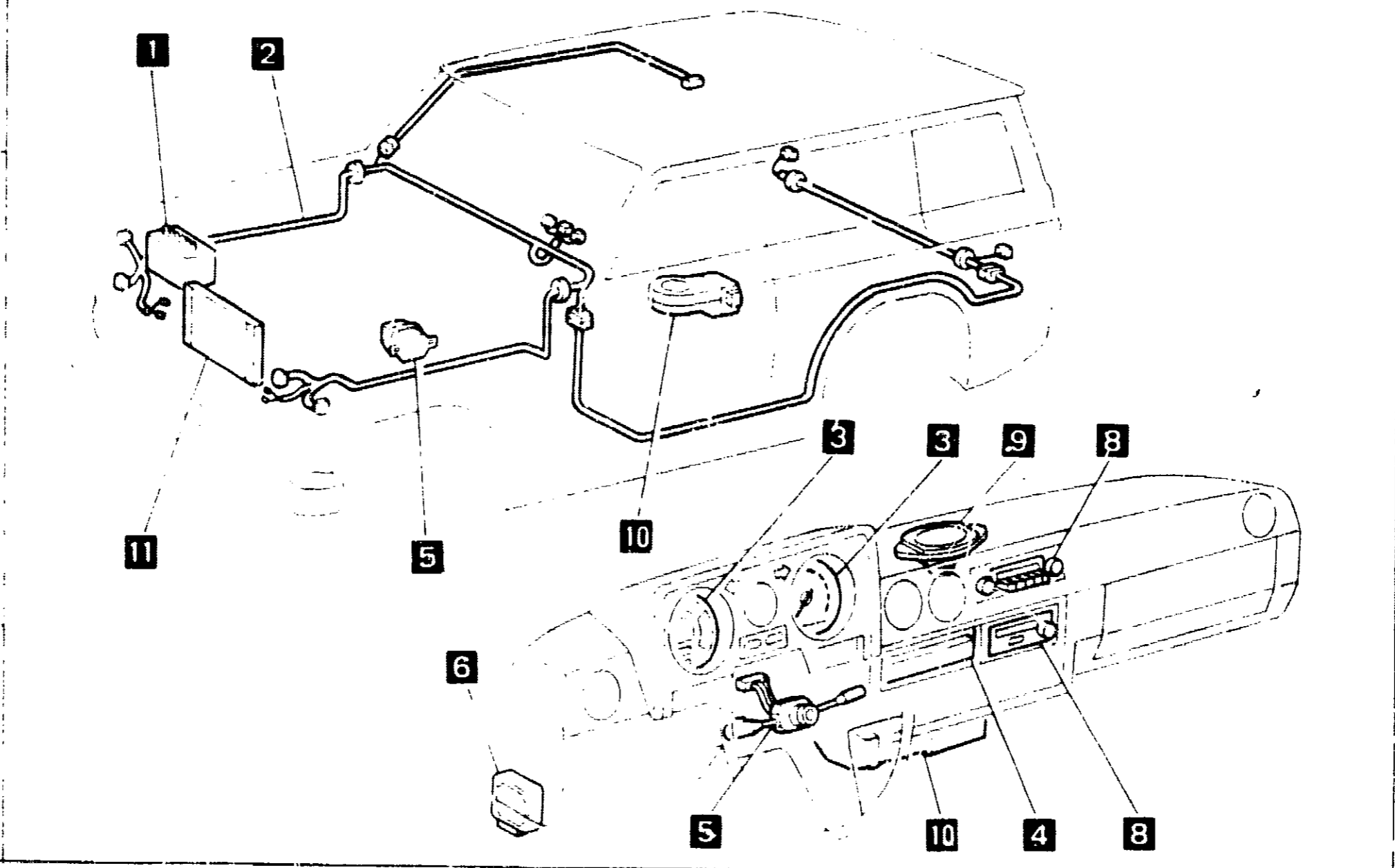
(8708-)

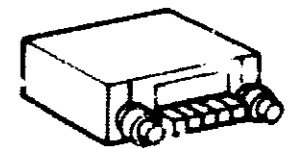
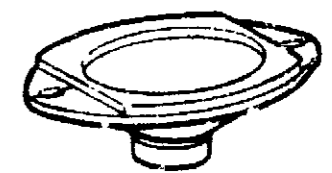


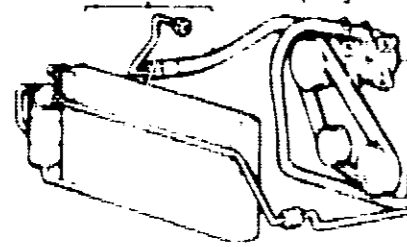


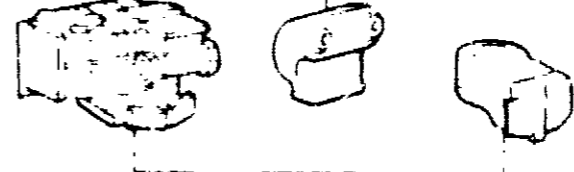

MC F457

<p>3K8 (82-01)</p>  <p>Battery & Cable</p>	<p>3L8 (82-02)</p>  <p>Wiring & Clamp</p>	<p>3C9 (83-01)</p>  <p>Meter</p>	<p>3E9 (83-02)</p>  <p>Indicator</p>	<p>3F9 (84-01)</p>  <p>Switch & Relay</p>	<p>3L9 (84-04)</p>  <p>EFI</p>
---	---	---	---	--	---

ELECTRICAL GROUP (2/2)



<p>3J10 (86-01)</p>  <p>Radio & Tone Player</p>
<p>3L10 (86-02)</p>  <p>Speaker</p>

<p>3M11 (87-18) Piping</p> 	<p>3A12 (87-19) Compressor</p> 	<p>3K11 (87-16) Piping</p> 	<p>3I11 (87-15) Duct</p> 	<p>3G11 (87-14) Unit</p> 
--	--	--	--	--

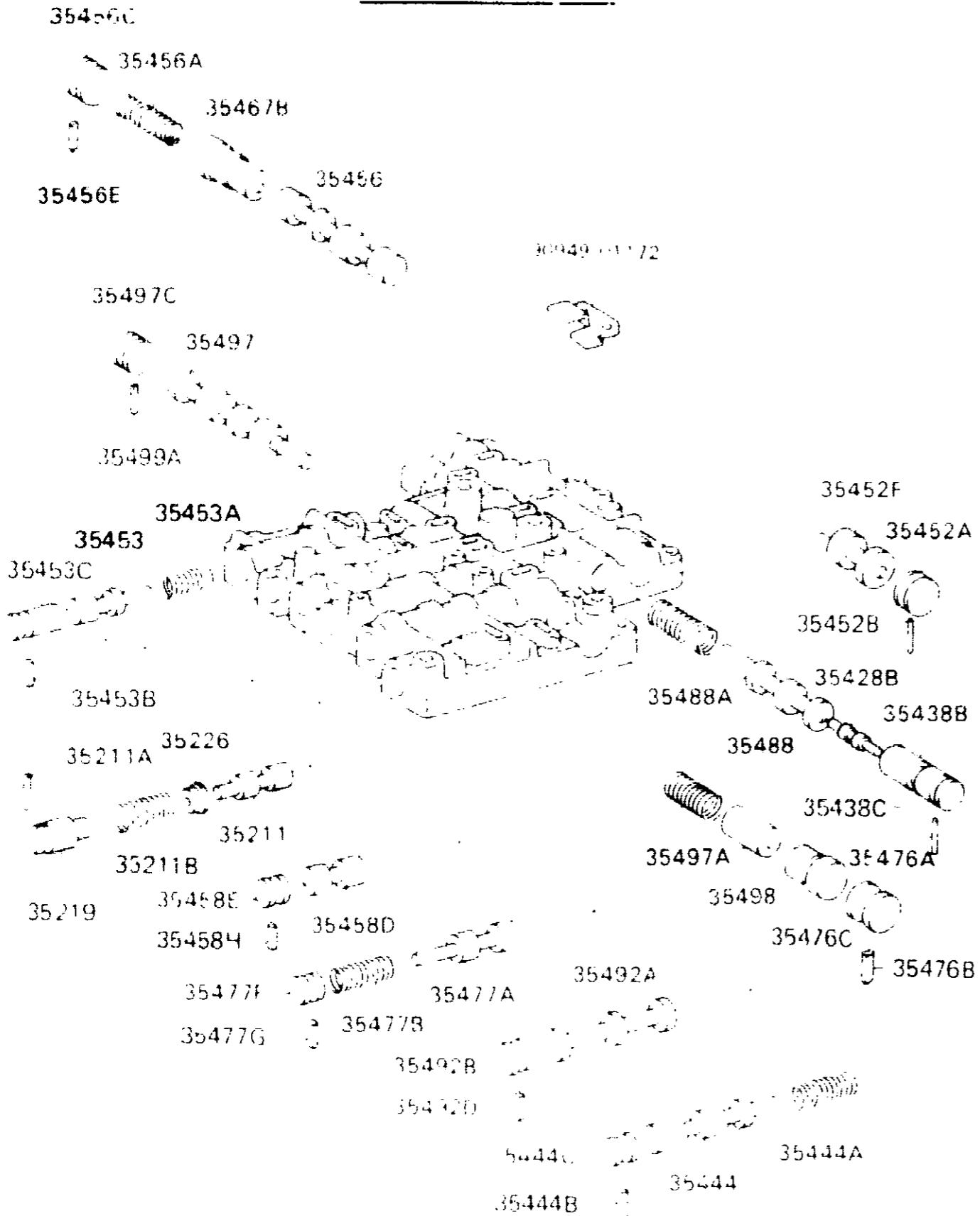
PROD. DATE	MODELS	DESCRIPTION	R / P	PART NUMBER	REV. REF		
					Q	T	Y.
8708-9001	FJ62	SEAT, OVERDRIVE DIRECT CLUTCH RETURN SPRING		34613-36010-			
B 8708-9001	FJ62	FLANGE, OVERDRIVE CLUTCH T=5.0		35675-33010-			
8708-9001	FJ62	RING, HOLE SNAP (FOR OVERDRIVE CLUTCH FLANGE)		90521-99017-			
8708-9001	FJ62	PISTON, OVERDRIVE BRAKE		35621-36010-			
8708-9001	FJ62	RING, O (FOR OVERDRIVE BRAKE PISTON) OUTER		90301-99030-			
8708-9001	FJ62	INNER		90301-99031-			
B 8708-9001	FJ62	FLANGE, OVERDRIVE BRAKE, NO. 1 T=5.0		35676-36010-			
8708-9001	FJ62	RING, HOLE SNAP (FOR OVERDRIVE BRAKE FLANGE)		90521-99021-			
8708-9001	FJ62	GEAR ASSY, OVERDRIVE PLANETARY		34710-36010-			
8708-9001	FJ62	BEARING, THRUST NEEDLEROLLER (FOR OVERDRIVE PLANETARY GEAR) RR		90374-25004-			
8708-9001	FJ62	RR		90374-28007-			
8708-9001	FJ62	RACE, 1 WAY CLUTCH OUTER (FOR OVERDRIVE)		34713-36010-			

PROD. DATE	MODELS	DESCRIPTION	R / P	PART NUMBER	REV. REF		
					Q	T	Y.
8708-9001	FJ62	CLUTCH, 1 WAY (FOR OVERDRIVE)		35791-36010-			
8708-9001	FJ62	RING, HOLE SNAP (FOR 1 WAY CLUTCH)		90521-90002-			
8708-9001	FJ62	GEAR, OVERDRIVE PLANETARY RING		34731-36010-			
8708-9001	FJ62	RINGS, HOLE SNAP (FOR OVERDRIVE PLANETARY RING GEAR)		90521-99019-			
8708-9001	FJ62	FLANGE, OVERDRIVE PLANETARY RING GEAR		34732-36010-			
8708-9001	FJ62	RING, OIL SEAL (FOR OVERDRIVE PLANETARY RING GEAR FLANGE)		35712-36010-			
8708-9001	FJ62	BEARING, THRUST (FOR OVERDRIVE PLANETARY RING GEAR FLANGE)		90374-34001-			
8708-9001	FJ62	WASHER, OVERDRIVE PLANETARY GEAR THRUST, NO. 1		34737-36010-			
8708-9001	FJ62	WASHER, OVERDRIVE PLANETARY GEAR THRUST, NO. 2		34738-36010-			
8708-9001	FJ62	RING, SHAFT SNAP (FOR OVERDRIVE DIRECT CLUTCH)		90374-25004-			

(8708-)
A440F

ILLUST. NO. 30F5

Rear Upper Valve Body



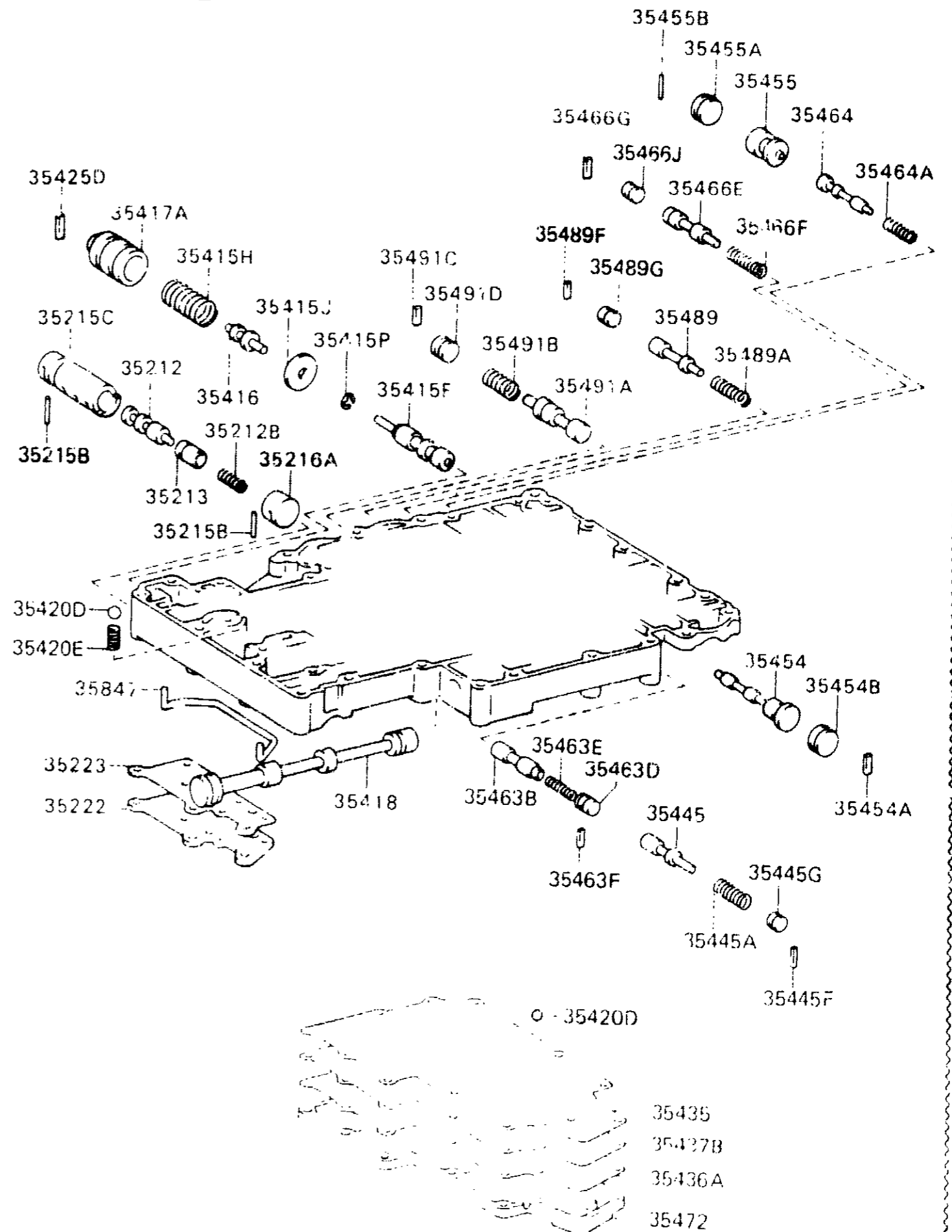
MC E266 E

MCF266E

(8708-)
A440F

ILLUST. NO. 40F5

Lower Valve Body



MC E267 A

MCF267A

PROD. DATE	MODELS	DESCRIPTION	R / P	PART NUMBER	Q T Y.	REV. REF	
						F	T
8708-9001	FJ62	I 42611G VALVE (FOR TUBELESS TIRE) I 42652 TIRE		90942-05009-	5		
B 8708-9001	FJ62	I 42652A TIRE (FOR SPARE) P225/75R15, *(B), *(D)		42652-60060-	4		
E 8708-9001	FJ62	I 42652A TIRE (FOR SPARE) P225/75R15, *(B), *(D)		42652-60060-	1		

PROD. DATE	MODELS	DESCRIPTION	R / P	PART NUMBER	Q T Y.	REV. REF	
						F	T

* (B) - Bridgestone Company Limited

* (D) - Dunlop Rubber Company (Japan) Limited.

PROD. DATE	MODELS	DE.SCRPTION	R / F	PART NUMBER	Q T Y.	REV. REF	
						F	T
8708-9001	FJ62	NUT, LOCK, NO.1		44142-2100-	1		
8708-9001	FJ62	VALVE ASSY, POWER STEERING CONTROL		44120-60130-	1		
8708-9001	FJ62	ARM, PITMAN		45411-60090-	1		
B 8708-9001	FJ62	NUT, CASTLE (FOR PITMAN ARM)		90170-22058-	1		
B 8708-9001	FJ62	SCREW, CROSSHAFT ADJUSTING		45357-22010-	1		
8708-9001	FJ62	WASHER, SEAL (FOR CROSSHAFT ADJUSTING SCRFW)		90210-10001-	1		
A 8708-8905	FJ62	END SUB-ASSY, STEERING RELAY ROD, RH		# 45045-69045- (45045-60H01-)	1		
S 8905-9001	FJ62..WGG			45045-69046-	1		
8708-9001	FJ62	NUT, CASTLE (FOR RELAY ROD)		90171-14042-	2		
8708-9001	FJ62	RING, SET (FOR RELAY ROD)		90467-32002-	4		
P 8708-8905	FJ62	END SUB-ASSY, STEERING RELAY ROD, LH		# 45044-69055- (45044-60H00-)	1		

PROD. DATE	MODELS	DESCRIPTION	R / F	PART NUMBER	Q T Y.	REV. REF	
						F	T
N 8905-9001	FJ62..WGG	CONTINUED END SUB-ASSY, STEERING RELAY ROD, LH		45044-69056-	1		
P 8708-8905	FJ62	END SUB-ASSY, TIE ROD, RH		# 45046-69115- (45046-60H05-)	1		
N 8905-9001	FJ62..WGG			45046-69116-	1		
8708-9001	FJ62	NUT, CASTLE (FOR TIE ROD END)		90171-14042-	2		
8708-9001	FJ62	RING, SET (FOR TIE ROD END DUST SEAL)		90522-32011-	2		
P 8708-8905	FJ62	END SUB-ASSY, TIE ROD, LH		# 45047-69065- (45047-60H01-)	1		
N 8905-9001	FJ62..WGG			45047-69066-	1		
8708-9001	FJ62	ROD ASSY, STEERING RELAY		45 50-69055-	1		
8708-9001	FJ62	CLAMP, STEERING RELAY ROD END		45466-55020-	2		
A 8708-9001	FJ62	SEAL, STEERING LINK DUST, RH		45452-60010-	1		
8708-	FJ62	SEAL, STEERING LINK DUST, LH		45457-60010-	1		

PROD. DATE	MODELS	DESCRIPTION	R / P	PART NUMBER	Q T Y.	REV. REF		
						F	T	
8708-9001	FJ62	47619 WIRE, PARKING BRAKE, LH		47616-60010-	2			
8708-9001	FJ62	47623B SPRING, TENSION (FOR PARKING BRAKE BELL CRANK RETURN)		90506-20033-	4			
8708-9001	FJ62	47624A CRANK, PARKING BRAKE BELL, RH		47624-60010-	1			
8708-9001	FJ62	47625A CRANK, PARKING BRAKE BELL, LH		47625-60010-	1			
8708-9001	FJ62	47626P PULLEY, PARKING BRAKE SEGMENTAL		47626-60010-	2			
8708-9001	FJ62	47628 BRACKET, REAR BRAKE BELLCRANK		47628-35020-	2			
8708-9001	FJ62	47633C BOOT, REAR BRAKE BELLCRANK, RH		47633-35020-	2			
8708-9001	FJ62	47634A BOOT, REAR BRAKE BELLCRANK, LH		47633-35020-	2			
8708-9001	FJ62	47643A LEVER, REAR BRAKE AUTOMATIC ADJUST, RH		47643-60010-	1			
8708-9001	FJ62	47644A LEVER, REAR BRAKE AUTOMATIC ADJUST, LH		47644-60010-	1			

PROD. DATE	MODELS	DESCRIPTION	R / P	PART NUMBER	Q T Y.	REV. REF		
						F	T	
8708-9001	FJ62..WGG	47653 LINING, REAR BRAKE SHOE (FOR FRONT OR UPPER)		47655-60010-	2			
8708-9001	FJ62..WGG	47654 LINING, REAR BRAKE SHOE (FOR REAR OR LOWER)		47655-60010-	2			

PROD. DATE	MODELS	DESCRIPTION	R / P	PART NUMBER	Q T Y.	REV. REF	
						F	T
8708-9001	FJ62	SHACKLE KIT, REAR SPRING		04483-60050-	2		
8708-9001	FJ62	PIN KIT, REAR SPRING		04482-60040-	2		
8708-9001	FJ62	SEAT SUB-ASSY, SPRING U BOLT, RH		48046-60052-	1		
8708-9001	FJ62	BOLT, U (FOR REAR SPRING)		90117-14032-	X		
8708-9001	FJ62	BOLT, U (FOR REAR SPRING)		90117-14180-	X		
8708-9001	FJ62	SEAT SUB-ASSY, SPRING U BOLT, LH		48047-60052	1		
8708-8803	FJ62	SPRING ASSY, REAR RH		# 48210-60650- (48210-60651-)	1		
8803-9001	FJ62			48210-60651-	1		
8708-9001	FJ62	BUSH (FOR REAR SPRING SHACKLE UPPER)		90389-18002-	4		
8708-9001	FJ62	BUSH (FOR REAR SPRING PIN)		90389-18002-	4		
8708-9001	FJ62	BUSH (FOR REAR SPRING SHACKLE LOWER)		90389-18002-	4		

PROD. DATE	MODELS	DESCRIPTION	R / P	PART NUMBER	Q T Y.	REV. REF	
						F	T
8708-9001	FJ62	LEAF, REAR SPRING, NO.1		48211-60650-	1		
8708-9001	FJ62	PASSENGER SEAT SIDE		48211-60660-	1		
8708-9001	FJ62	DRIVERS SEAT SIDE		48212-60650-	1		
8708-9001	FJ62	LEAF, REAR SPRING, NO.2		48212-60660-	1		
8708-9001	FJ62	PASSENGER SEAT SIDE		48212-60650-	1		
8708-9001	FJ62	DRIVERS SEAT SIDE		48212-60660-	1		
8708-8803	FJ62	LEAF, REAR SPRING, NO.3		48202-60650-	1		
8708-8803	FJ62	PASSENGER SEAT SIDE		48202-60660-	1		
8803-9001	FJ62	DRIVERS SEAT SIDE		48202-60651-	1		
8803-9001	FJ62	PASSENGER SEAT SIDE		48202-60661-	1		
8803-9001	FJ62	DRIVERS SEAT SIDE		48214-60650-	1		
8708-8803	FJ62	LEAF, REAR SPRING, NO.4		48214-60660-	1		
8708-8803	FJ62	PASSENGER SEAT SIDE		48214-60651-	1		
8708-8803	FJ62	DRIVERS SEAT SIDE		48214-60661-	1		
8803-9001	FJ62	PASSENGER SEAT SIDE		48214-60651-	1		
8803-9001	FJ62	DRIVERS SEAT SIDE		48215-60650-	1		
8708-8803	FJ62	LEAF, REAR SPRING, NO.5		48215-60660-	1		
8708-8803	FJ62	PASSENGER SEAT SIDE		48215-60651-	1		
8803-9001	FJ62	DRIVERS SEAT SIDE					

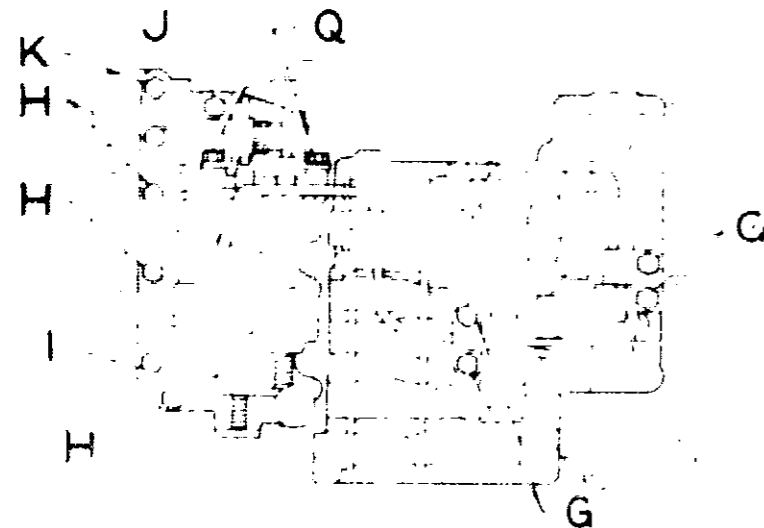
FIGURE NUMBER INDEX

LOCATION	FIG. No.	SUMMARY	LOCATION	FIG. No.	SUMMARY	LOCATION	FIG. No.	SUMMARY
TOOL GROUP			POWER TRAIN - CHASSIS GROUP					
1A1	09-01	STANDARD TOOL	2A1	33-12	SHIFT LEVER & RETAINER	2G7	45-03	OIL COOLER & TUBE
ENGINE GROUP			2D1	35-01	TRANSAXLE OR TRANSMISSION ASSY & GASKET KIT (ATM)	2H7	45-04	STEERING WHEEL
1C1	11-01	PARTIAL ENGINE ASSEMBLY	2E1	35-02	TORQUE CONVERTER, FRONT OIL PUMP & CHAIN (ATM)	2I7	45-05	STEERING GEAR & LINK
1D1	11-02	SHORT BLOCK ASSEMBLY	2G1	35-03	TRANSMISSION CASE & OIL PAN (ATM)	2A8	46-01	PARKING BRAKE & CABLE
1E1	11-03	ENGINE OVERHAUL GASKET KIT	2J1	35-05	SPEEDOMETER DRIVEN GEAR (ATM)	2C8	47-01	BRAKE PEDAL & BRACKET
1F1	11-04	CYLINDER HEAD	2K1	35-06	OVERDRIVE GEAR (ATM)	2D8	47-02	BRAKE MASTER CYLINDER
1H1	11-05	CYLINDER BLOCK	2A2	35-07	BRAKE BAND & MULTIPLE DISC CLUTCH (ATM)	2F8	47-03	BRAKE BOOSTER
1J1	11-06	TIMING GEAR COVER & REAR END PLATE	2D2	35-08	CENTER SUPPORT & PLANETARY SUN GEAR (ATM)	2H8	47-05	FRONT DISC BRAKE CALIPER & DUST COVER
1K1	11-07	MOUNTING	2F2	35-09	BRAKE NO. 3, 1ST & REVERSE BRAKE (ATM)	2J8	47-06	REAR PACKING PLATE & WHEEL CYLINDER
1L1	12-01	VENTILATION HOSE	2G2	35-10	PLANETARY GEAR REVERSE PISTON & COUNTER GEAR (ATM)	2M8	47-08	BRAKE TUBE & CLAMP
1M1	13-01	CRANKSHAFT & PISTON	2I2	35-11	REAR OIL PUMP & GOVERNOR (ATM)	2E9	48-02	FRONT AXLE ARM & STEERING KNUCKLE
1C2	13-02	CAMSHAFT & VALVE	2K2	35-12	VALVE BODY & OIL STRAINER (ATM)	2G9	48-03	FRONT SPRING & SHOCK ABSORBER
1E2	15-01	OIL PUMP	2I3	35-13	THROTTLE LINK & VALVE LEVER (ATM)	2K9	48-04	REAR SPRING & SHOCK ABSORBER
1G2	15-02	OIL FILTER	2K3	35-14	OIL COOLER & TUBE (ATM)			
1H2	15-03	OIL COOLER	2M3	36-08	TRANSFER ASSEMBLY & GASKET KIT			
1I2	16-01	WATER PUMP	2A4	36-09	TRANSFER CASE & EXTENSION HOUSING			
1J2	16-03	RADIATOR & WATER OUTLET	2C4	36-10	TRANSFER GEAR			
1A3	16-05	V BELT	2F4	36-11	TRANSFER LEVER & SHIFT ROD			
1B3	17-01	MANIFOLD	2H4	36-12	DIAPHRAGM CYLINDER			
1D3	17-02	EXHAUST PIPE	2J4	36-16	TRANSFER VACUUM PIPING			
1F3	17-03	AIR CLEANER	2K4	37-01	PROPELLER SHAFT & UNIVERSAL JOINT			
1H3	17-05	AIR PUMP	2M4	41-01	REAR AXLE HOUSING & DIFFERENTIAL			
1I3	17-06	MANIFOLD AIR INJECTION SYSTEM	2H5	41-02	REAR AXLE SHAFT & HUB			
1K3	17-08	VACUUM PIPING	2K5	41-03	DISK WHEEL & WHEEL CAP			
1A4	17-09	CAUTION PLATE & NAME PLATE	2M5	42-01	DIFFERENTIAL LOCK CONTROL			
1B4	19-01	IGNITION COIL & SPARK PLUG	2C6	43-01	FRONT AXLE HOUSING & DIFFERENTIAL			
1D4	19-02	DISTRIBUTOR	2J6	43-02	DRIVE SHAFT			
1E4	19-03	ALTERNATOR	2K6	43-03	FRONT AXLE HUB			
1G4	19-04	STARTER	2M6	44-01	STEERING COLUMN & SHAFT			
FUEL GROUP			2D7	45-02	VALVE PUMP & RESERVOIR			
1I4	21-01	FUEL FEED SYSTEM						
1M4	21-02	EXHAUST GAS RECIRCULATION SYSTEM						

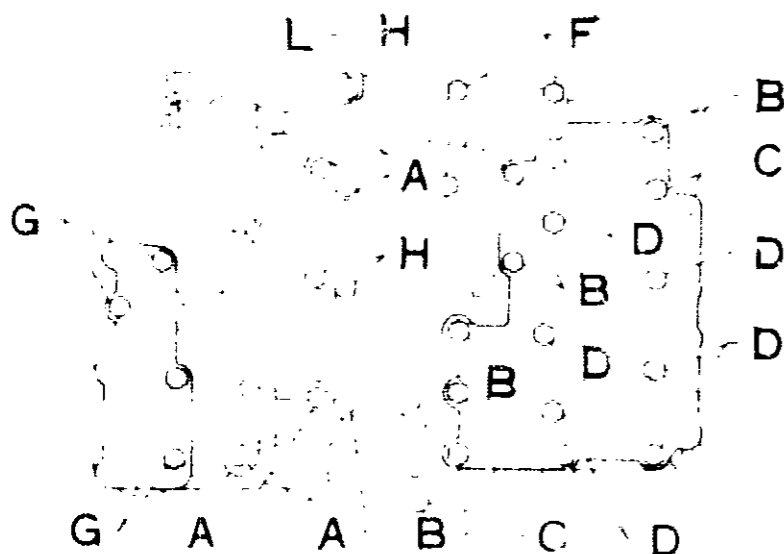
8708-
A440F

ILLUST. NO. 50F5

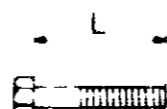
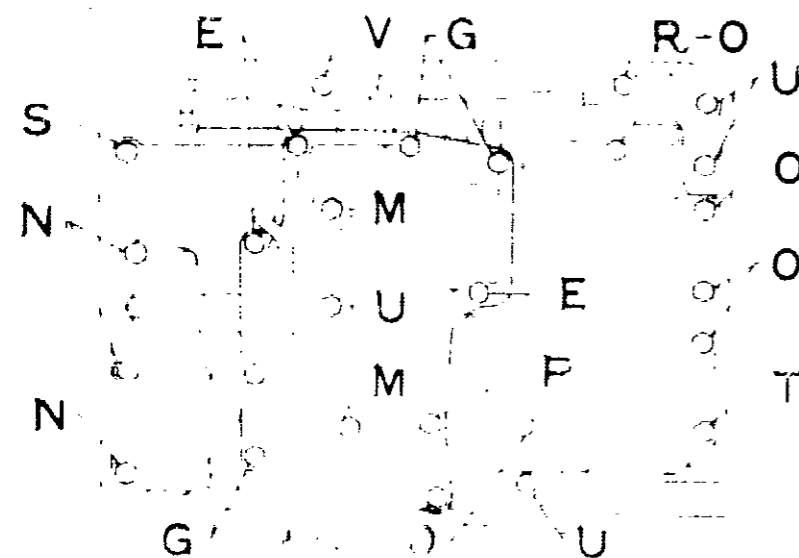
Upper Valve Body



Lower Valve Body



Valve Body



Valve Body Set Bolt

	PART NO.	L	QTY.
A	90105 05002	35	4
B	90105 05007	18	5
C	90105 05015	60	2
D	90105 05013	56	8
E	90105 05017	47	3
F	90105 05018	44	2
G	90105 05021	12	12
H	90105 05025	29.5	7
I	90105 05027	29.5	1
J	90105 05028	39	1
K	90105 05029	25	1
L	90105 05030	43	1
M	90105 06025	36	2
N	90105 06058	64	3
O	90105 06060	57	5
P	90105 06061	45	3
Q	90105 06064	16	2
R	90105 06069	22	1
S	90105 06070	41	1
T	90105 06071	57	1
U	90105 06072	32	4
V	90105 06073	45	1

Valve Body Set Washer

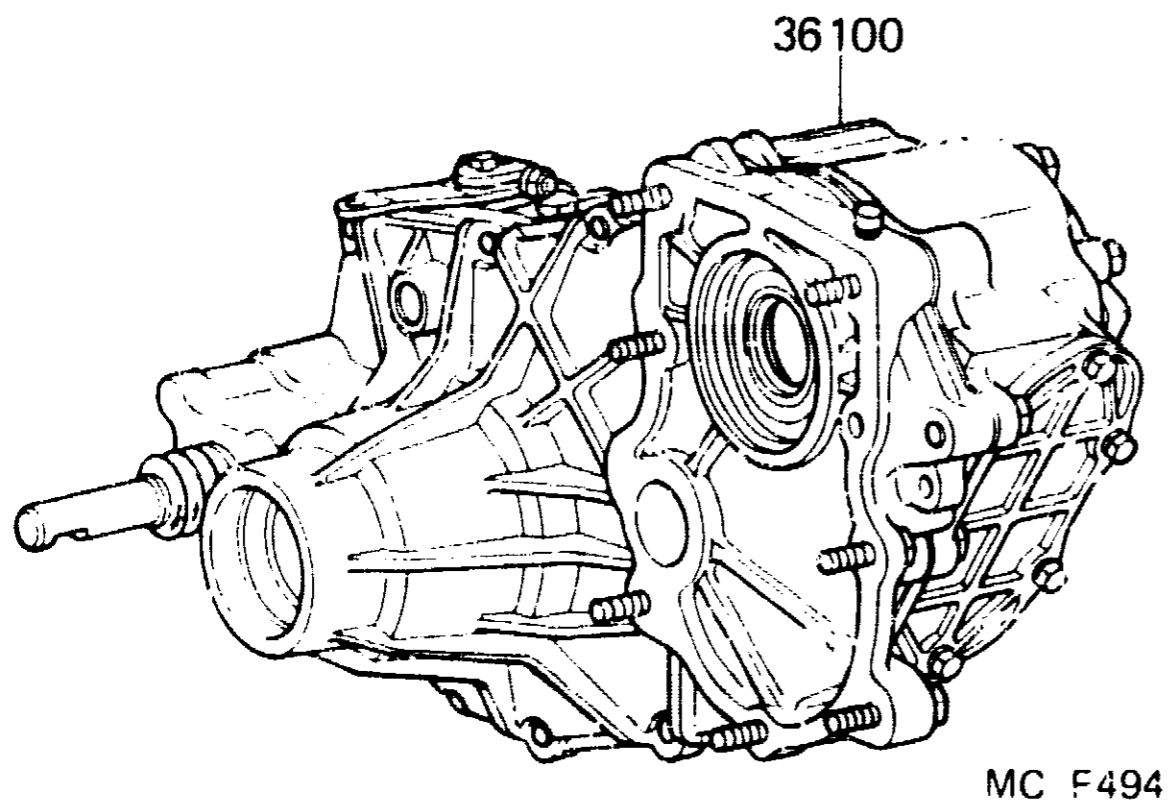
	PART NO.	QTY.
A - L	94541 00500	47

PROD. DATE	MODELS	DESCRIPTION	R / P	PART NUMBER	REV. REF	
					QTY.	F T
8708-9001	FJ62	PISTON, OVERDRIVE BRAKE ACCUMULATOR		34421-36010-	1	
3708-9001	FJ62	RING, O (FOR OVERDRIVE BRAKE ACCUMULATOR PISTON)		90301-26003-	1	
8708-9001	FJ62	LWR		90301-29003-	1	
8708-9001	FJ62	SPRING (FOR OVERDRIVE BRAKE ACCUMULATOR PISTON)		90501-33004-	1	
8708-9001	FJ62	COVER, FRONT CLUTCH ACCUMULATOR		35112-36010-	1	
8703-9001	FJ62	GASKET, FRONT CLUTCH ACCUMULATOR, NO.2		35113-36010-	1	
8708-9001	FJ62	GASKET, FRONT CLUTCH ACCUMULATOR, NO.1		35114-36010-	1	
8708-9001	FJ62	PLATE, FRONT CLUTCH ACCUMULATOR		35115-36010-	1	
8708-8709	FJ62	VALVE, LOCK UP SIGNAL		# 35211-36010- (35211-36011-)	1	
8709-9001	FJ62			35211-36011-	1	
8708-9001	FJ62	PIN, STRAIGHT (FOR LOCK UP SIGNAL VALVE)		90250-03051-	1	

MC 8873 A

2M3

(8708-)

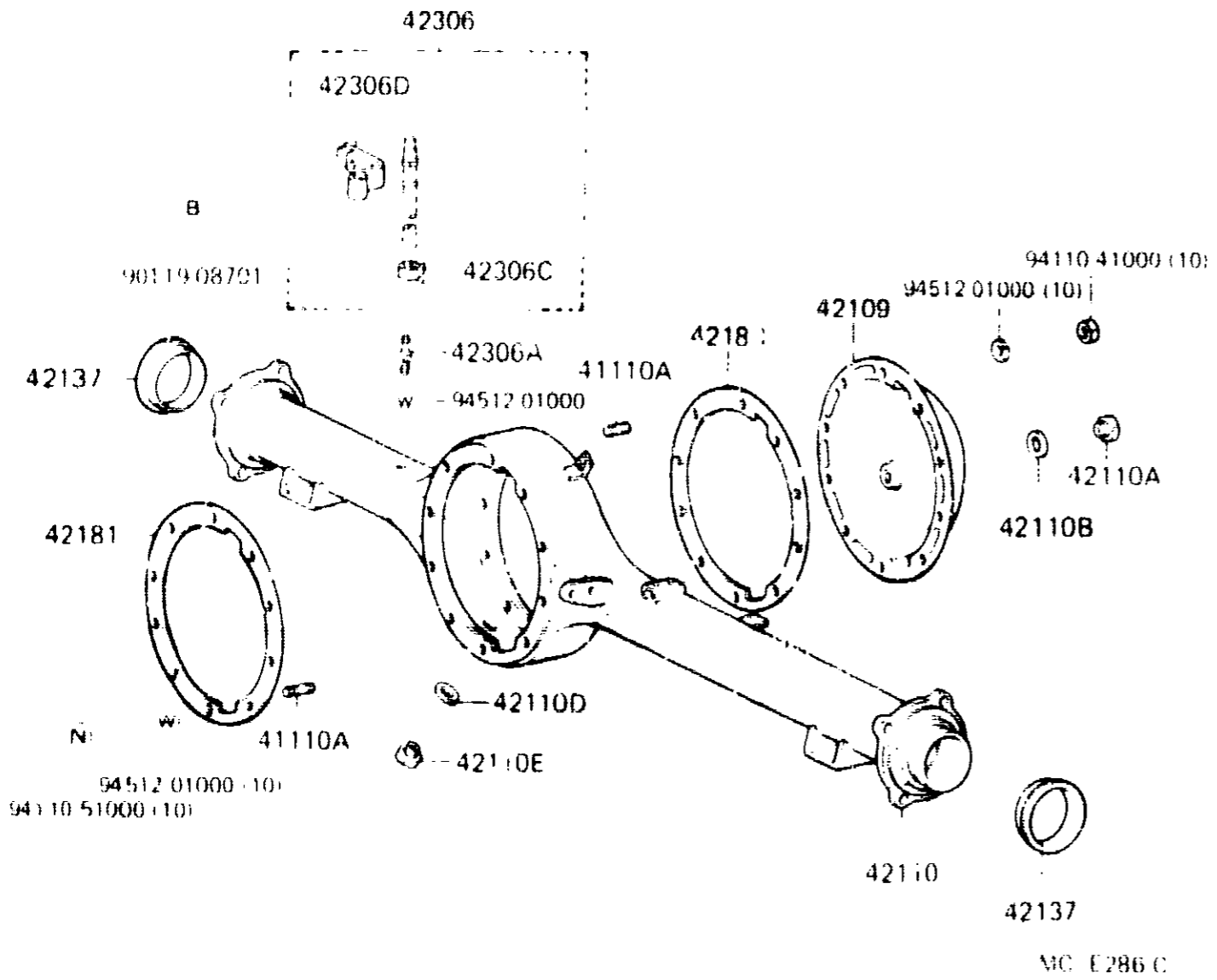


PROD. DATE	MODELS	DESCRIPTION	R / P	PART NUMBER	Q T Y.	REV. REF	
						F	T
8708-9001	FJ62 36100	TRANSFER ASSY		36110-6A730-	1		

(8708-)

ILLUST.NO. 10F3

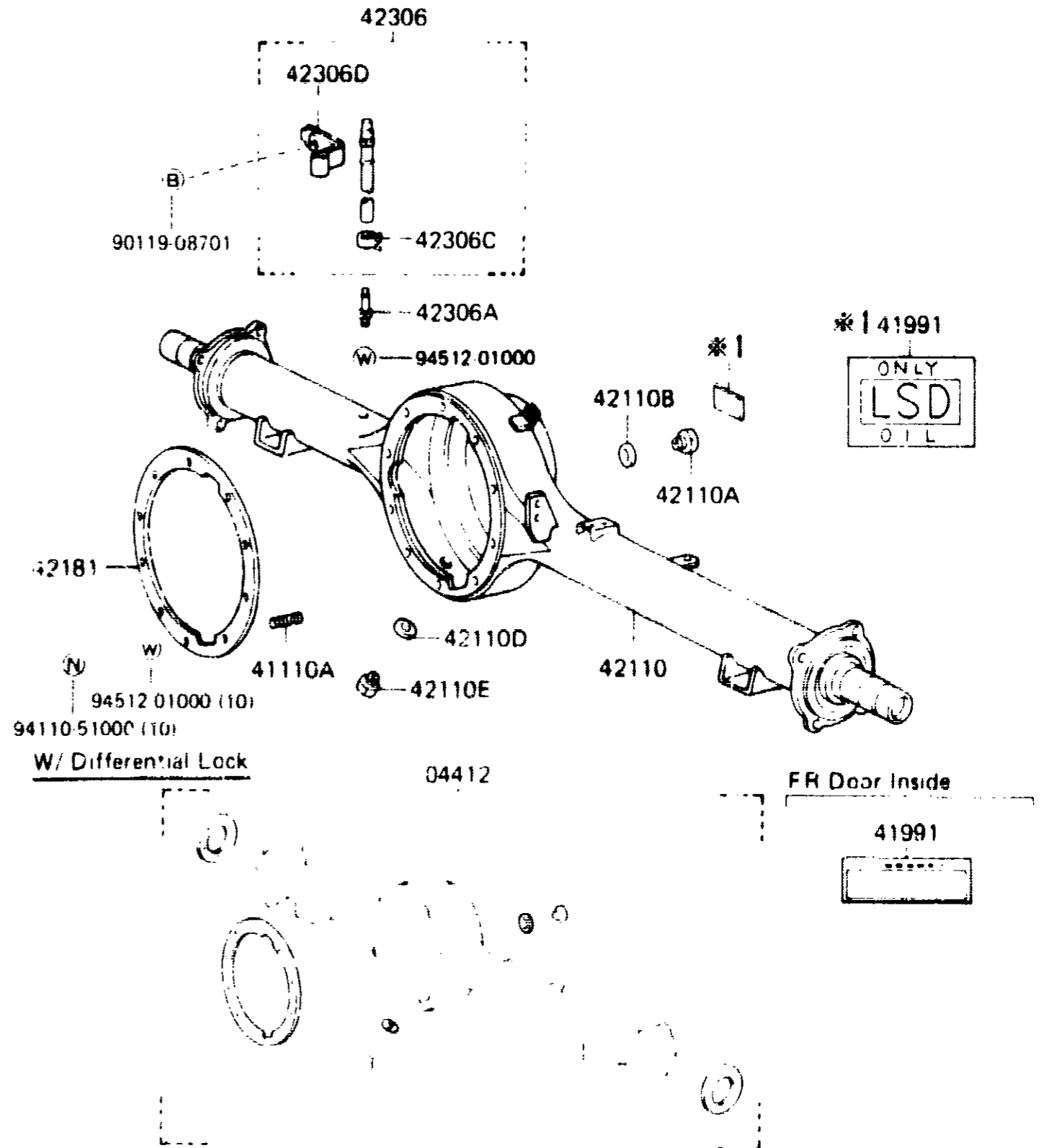
Semi Floating Axle



(8708-)

ILLUST.NO. 10F3

Full Floating Axle



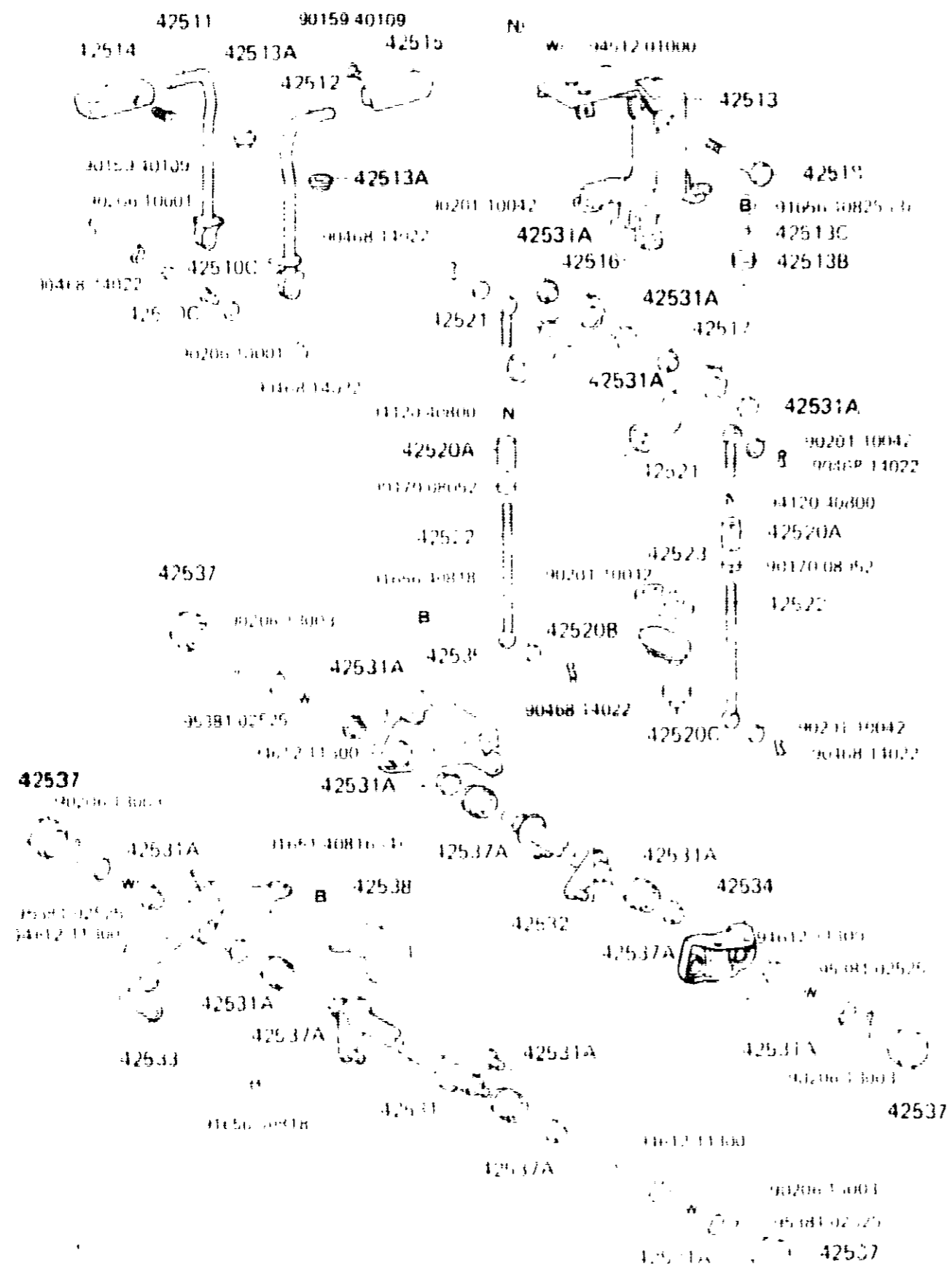
* 41991
ONLY
LSD
OIL

41991

(8708-)

ILLUST. NO. 10F2

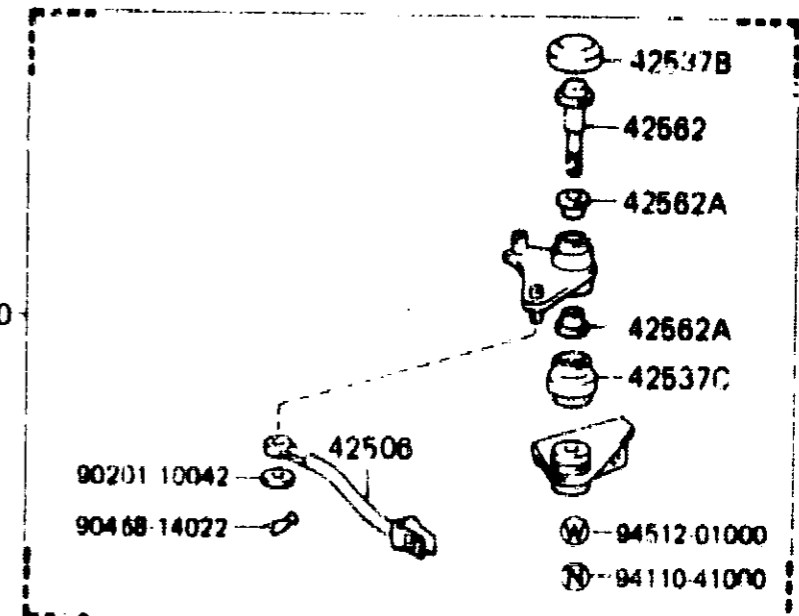
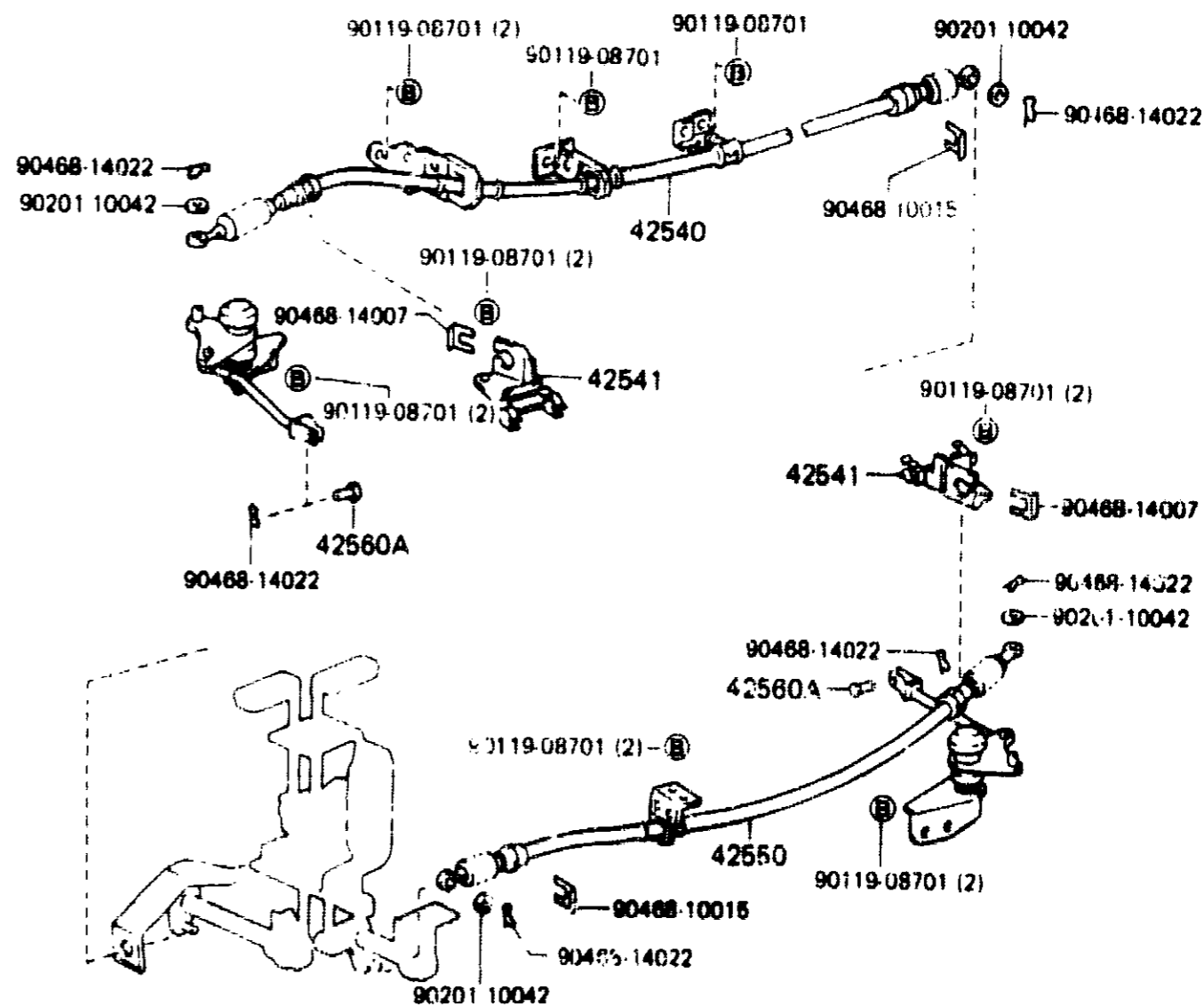
94110-41000



MC E384 A

(8708-)

ILLUST. NO. 20F2

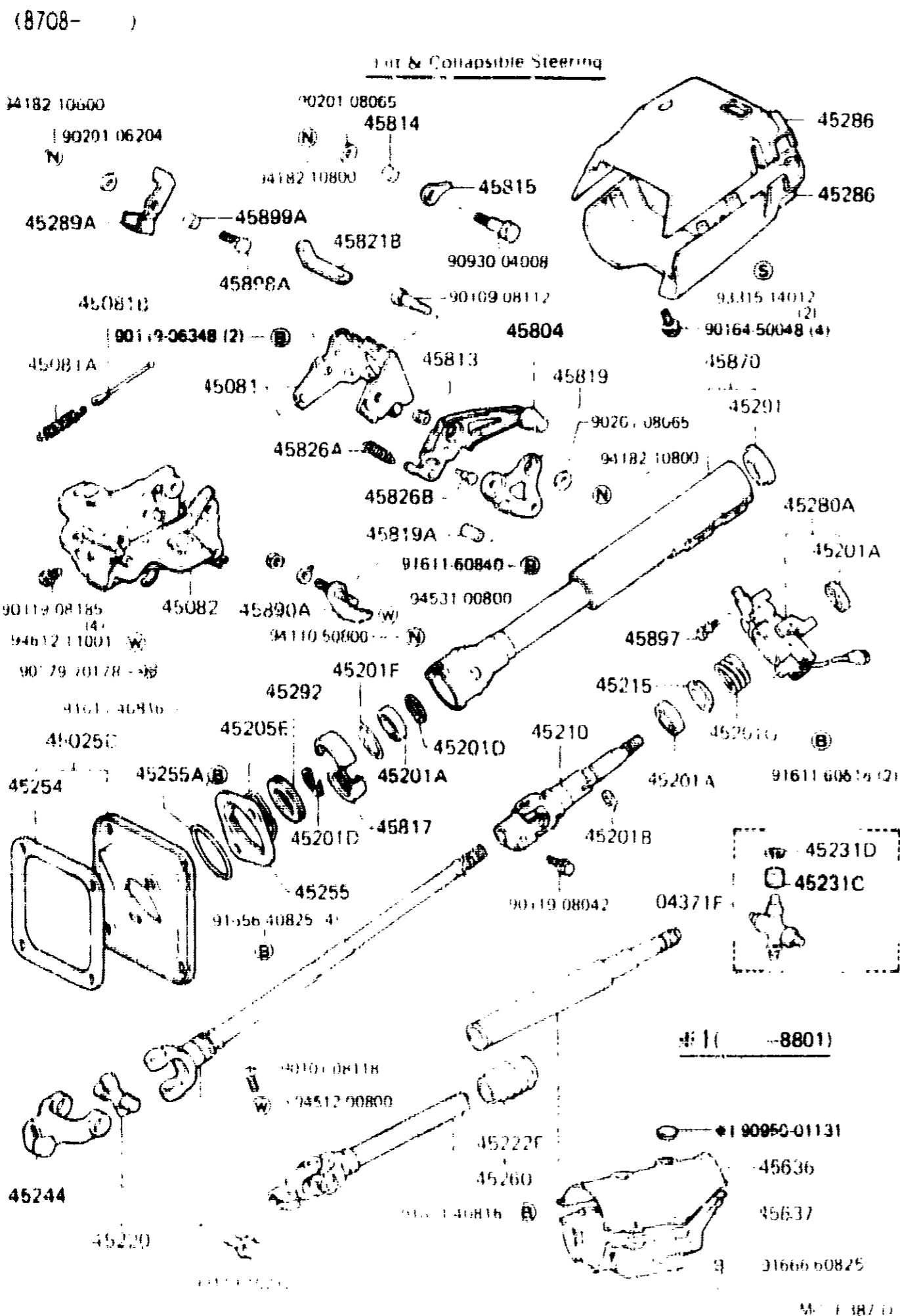


MC C481 B

FIG. 45-01 STEERING COLUMN & SHAFT

2M6

791430M-01196



PROD. DATE	MODELS	DESCRIPTION	R / P	PART NUMBER	REV. REF		
					Q T Y.	F	T
8708-9001	FJ62	SPIDER KIT, UNIVERSAL JOINT (FOR STEERING MAIN SHAFT)		04371-10011-	1		
8708-9001	FJ62	COVER SUB-ASSY, STEERING COLUMN HOLE, NO.1		45025-60020-	1		
8708-9001	FJ62	SUPPORT SUB-ASSY, TILT STEERING		45081-22020-	1		
8708-9001	FJ62	SPRING, TENSION (FOR TILT STEERING)		90506-23009-	2		
8708-9001	FJ62	CORD (FOR TILT STEERING)		90945-02034-	2		
8708-9001	FJ62	CORD (FOR TILT STEERING)		90945-02038-	2		
8708-9001	FJ62	BRACKET SUB-ASSY, BREAK AWAY W/CAPSULE		45082-60010-	1		
8708-9001	FJ62	BEARING, RADIAL BALL (FOR STEERING MAIN SHAFT)		90363-18001-	1		
8708-9001	FJ62	BEARING, RADIAL BALL (FOR STEERING MAIN SHAFT)	UPR	90363-28001-	1		
8708-9001	FJ62	BEARING, RADIAL BALL (FOR STEERING MAIN SHAFT)	LWR	90363-30007-	1		
8708-9001	FJ62	RING, SHAFT SNAP (FOR STEERING MAIN SHAFT)		90520-17042-	1		
8708-9001	FJ62	RING (FOR STEERING MAIN SHAFT)		96152-00300-	2		

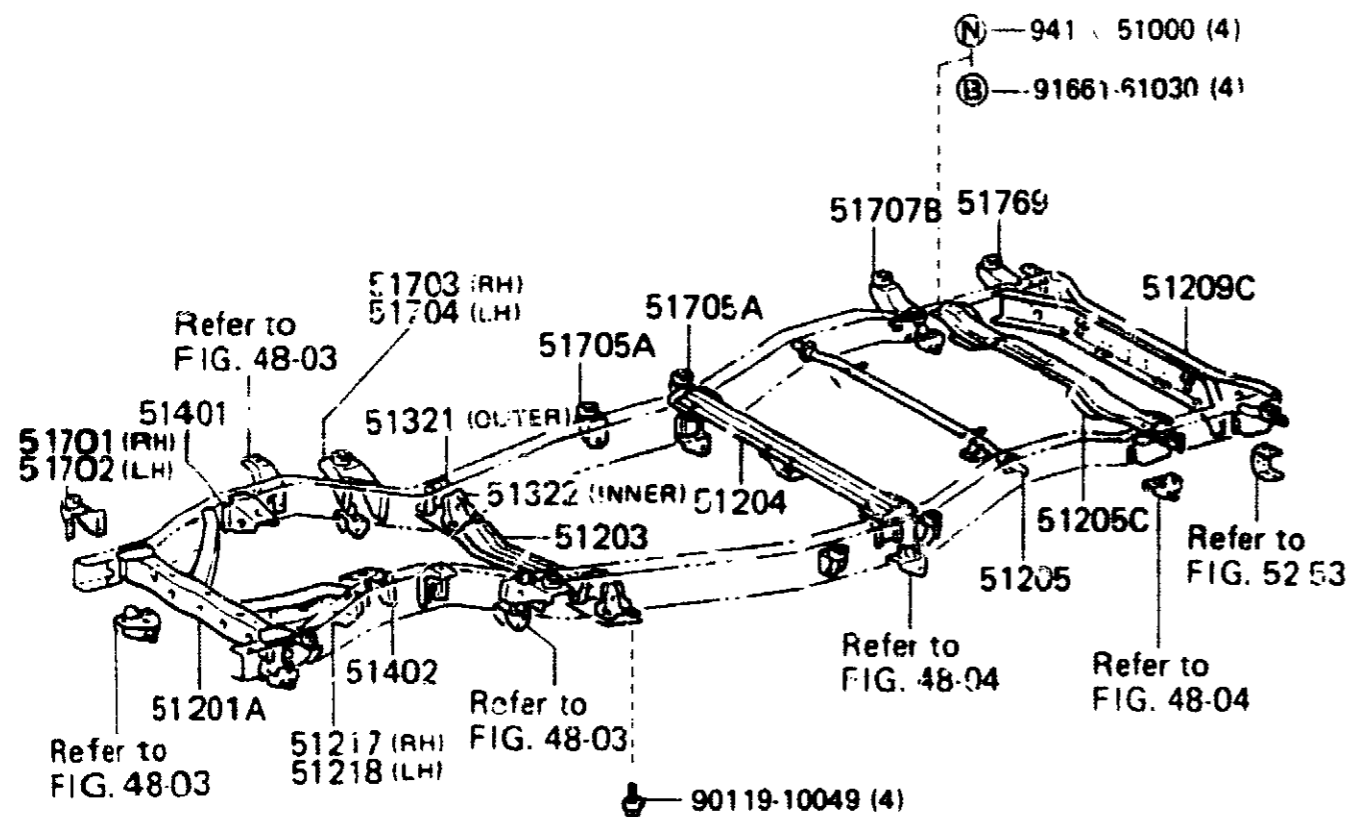
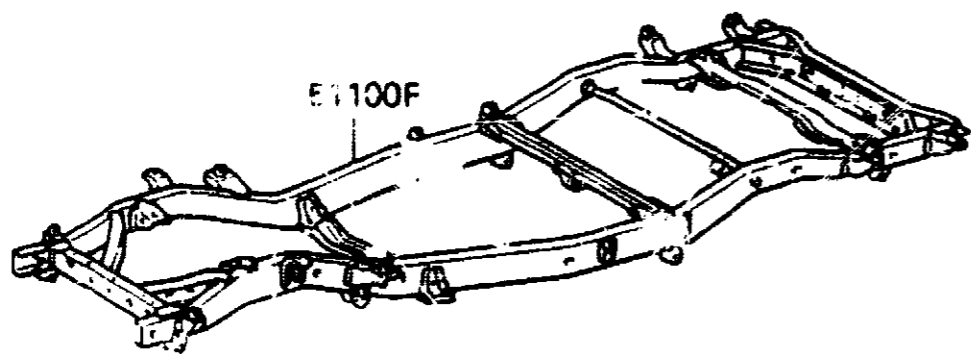
PROD. DATE	MODELS	DESCRIPTION	R/P	PART NUMBER	QTY.	REV. REF.	
						F	T
8803-9001	FJ62	LEAF, REAR SPRING, NO.5		48215-60661-	1		
		DRIVERS SEAT SIDE					
8708-8803	FJ62	LEAF, REAR SPRING, NO.6		48203-60650-	1		
		PASSENGER SEAT SIDE					
8703-8803	FJ62	DRIVERS SEAT SIDE		48203-60660-	1		
8803-9001	FJ62	PASSENGER SEAT SIDE		48203-60651-	1		
8803-9001	FJ62	DRIVERS SEAT SIDE		48203-60661-	1		
8708-8803	FJ62	LEAF, REAR SPRING, NO.7		48217-60650-	1		
		PASSENGER SEAT SIDE					
8708-8803	FJ62	DRIVERS SEAT SIDE		48217-60660-	1		
8803-9001	FJ62	PASSENGER SEAT SIDE		48217-60651-	1		
8803-9001	FJ62	DRIVERS SEAT SIDE		48217-60661-	1		
8708-8803	FJ62	SPRING ASSY, REAR LH		48210-60660-	1		
				(48210-60661-)	1		
8803-9001	FJ62			48210-60661-	1		
8708-8803	FJ62	BOLT, REAR SPRING, CENTER		48247-60660-	2		
				48247-60651-	2		
8803-9001	FJ62			48252-26070-	14		

PROD. DATE	MODELS	DESCRIPTION	R/P	PART NUMBER	QTY.	REV. REF.	
						F	T
8803-9001	FJ62	SPEACER, REAR SPRING, NO.1		48253-15010-	2		
8708-8803	FJ62	LEAF, REAR HELPER SPRING, NO.1		48218-60650-	1		
		PASSENGER SEAT SIDE					
8708-8803	FJ62	DRIVERS SEAT SIDE		48218-60660-	1		
8803-9001	FJ62	PASSENGER SEAT SIDE		48218-60651-	1		
8803-9001	FJ62	DRIVERS SEAT SIDE		48218-60661-	1		
8708-9001	FJ62	BUMPER SUB-ASSY, REAR SPRING		48306-60030-	2		
8708-9001	FJ62	RETAINER, REAR SPRING PAD		48371-60050-	2		
8708-9001	FJ62	PAD, REAR SPRING		48372-23030-	4		
8708-9001	FJ62	BRACKET, SPRING, NO.3, RH		48414-60042-	1		
8708-9001	FJ62	BRACKET, SPRING, NO.3, LH		48415-60042-	1		
8708-9001	FJ62	BRACKET, SPRING, NO.4		48416-60030-	2		
8708-9001	FJ62	ABSORBER ASSY, SHOCK REAR, RH		4853-69105-	1		

FIGURE NUMBER INDEX

LOCATION	FIG No	SUMMARY	LOCATION	FIG. No.	SUMMARY	LOCATION	FIG. No.	SUMMARY
BODY GROUP								
3A1	51-51	FRAME	3C6	71-51	SEAT & SEAT TRACK	3G10	85-05	HEADLAMP CLEANER
3C1	51-52	SUSPENSION CROSSMEMBER & UNDER COVER	3H6	71-52	SEAT BELT	3I10	85-11	DOOR MOTOR & DOOR SOLENOID
3D1	51-53	SPARE WHEEL CARRIER	3J6	74-51	ARMREST & VISOR	3J10	86-01	RADIO & TAPE PLAYER
3E1	52-51	CAB MOUNTING & BODY MOUNTING	3L6	74-54	BATTERY CARRIER	3L10	86-02	SPEAKER
3G1	52-52	FRONT BUMPER & BUMPER STAY	3M6	74-55	CAUTION PLATE	3A11	86-04	ANTENNA
3H1	52-53	REAR BUMPER & BUMPER STAY	3A7	74-51	DASH RECEPTACLE	3B11	86-11	HORN
3I1	53-51	RADIATOR GRILLE	3B7	75-51	EMBLEM & NAME PLATE	3C11	87-01	MIRROR
3J1	53-53	HOOD & FRONT FENDER	3D7	75-52	MOULDING	3E11	87-12	HEATING & AIR CONDITIONING - HEATER UNIT & BLOWER
3L1	53-54	HOOD LOCK & HINGE	3G7	75-54	TOOL BOX & LICENSE PLATE BRACKET	3G11	87-14	HEATING & AIR CONDITIONING - COOLER UNIT
3M1	53-55	FRONT FENDER APRON & DASH PANEL	3H7	77-51	FUEL TANK & TUBE	3I11	87-15	HEATING & AIR CONDITIONING CONTROL & AIR DUCT
3B2	55-51	INSTRUMENT PANEL & GLOVE COMPARTMENT	3L7	78-51	ACCELERATOR LINK	3K11	87-16	HEATING & AIR CONDITIONING WATER PIPING
3F2	55-53	COWL PANEL & WINDSHIELD GLASS	ELECTRICAL GROUP			3M11	87-18	HEATING & AIR CONDITIONING - COOLER PIPING
3H2	57-51	FLOOR MEMBER	3A6	81-01	HEADLAMP	3A12	87-19	HEATING & AIR CONDITIONING COMPRESSOR
3I2	58-51	FRONT FLOOR PANEL & FRONT FLOOR MEMBER	3C8	81-03	FRONT TURN SIGNAL LAMP			
3L2	58-52	REAR FLOOR PANEL & REAR FLOOR MEMBER	3D8	81-04	FRONT CLEARANCE LAMP			
3A3	58-53	FLOOR INSULATOR	3E8	81-05	FRONT MARKER LAMP			
3B3	58-54	FLOOR MAT & SILENCER PAD	3F8	81-11	REAR COMBINATION LAMP			
3D3	58-55	CONSOLE BOX & BRACKET	3H8	81-13	REAR LICENSE PLATE LAMP			
3G3	61-51	SIDE MEMBER	3I8	81-14	REAR SIDE MARKER LAMP			
3K3	61-52	SIDE WINDOW	3J8	81-21	INTERIOR LAMP			
3L3	61-53	ROOF PANEL & BACK PANEL	3K6	82-01	BATTERY & BATTERY CABLE			
3A4	61-55	REAR VENTILATOR & ROOF VENTILATOR	3L8	82-02	WIRING & CLAMP			
3B4	64-51	INSIDE TRIM BOARD	3C9	83-01	METER			
3E4	64-52	ROOF HEADLINING & SILENCER PAD	3Z9	83-02	INDICATOR			
3G4	64-55	DECK BOARD & DECK TRIM COVER	3F9	84-01	SWITCH & RELAY			
3H4	67-51	FRONT DOOR PANEL & GLASS	3L9	84-04	ELECTRONIC FUEL INJECTION SYSTEM			
3L4	67-53	FRONT DOOR LOCK & HANDLE	3A10	85-01	WINDSHIELD WIPER			
3A5	67-54	FRONT DOOR WINDOW REGULATOR & HINGE	3C10	85-02	REAR WIPER			
3C5	67-55	REAR DOOR PANEL & GLASS	3D10	85-03	WINDSHIELD WASHER			
3F5	67-56	REAR DOOR LOCK & HANDLE	3F10	85-04	REAR WASHER			
3H5	67-57	REAR DOOR WINDOW REGULATOR & HINGE						
3J5	67-61	BACK DOOR PANEL & GLASS						
3L5	67-62	BACK DOOR LOCK & HINGE						
3A6	67-65	TRUCK UNDER SET						

(8708-



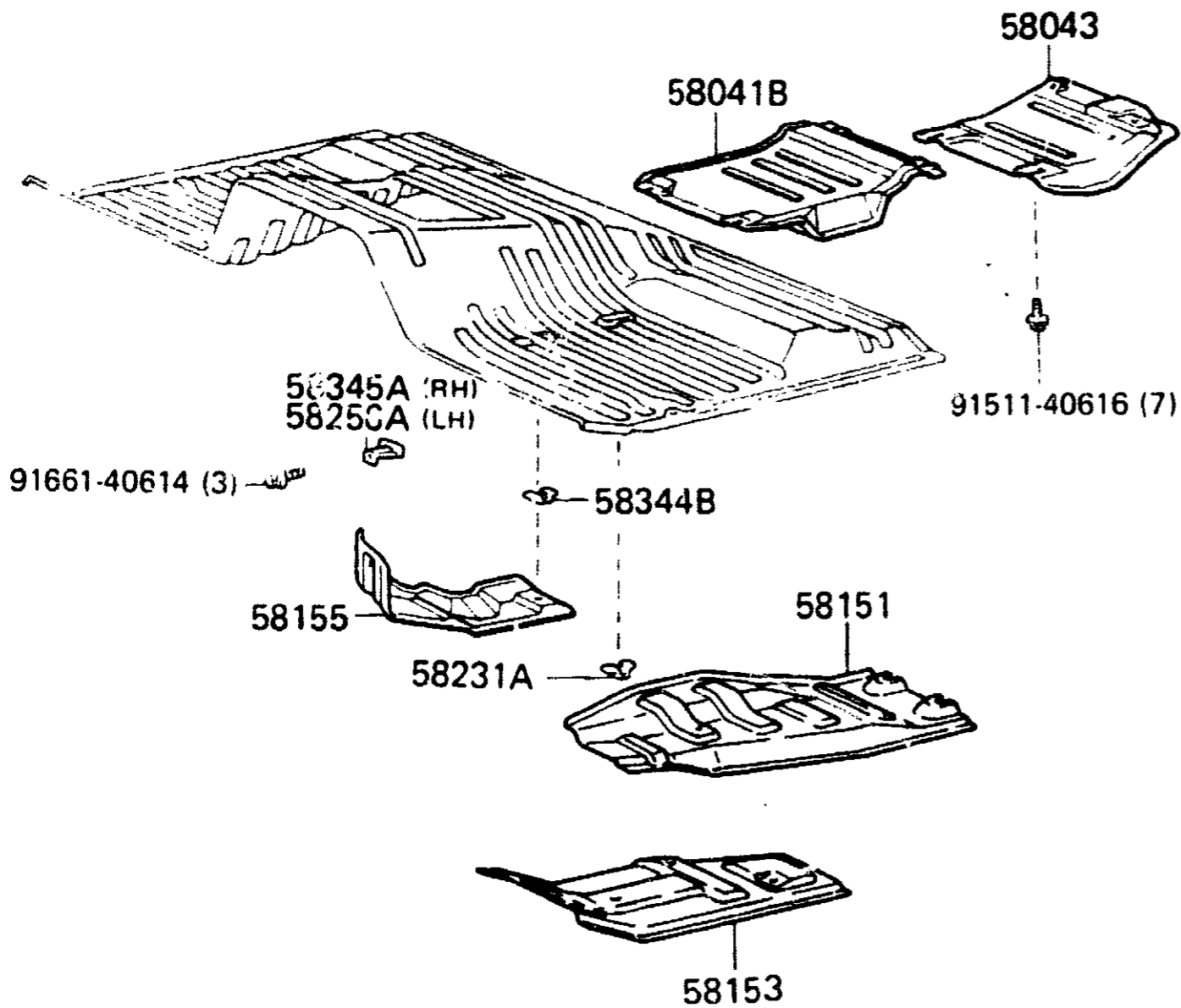
MB L858-A

PROD. DATE	MODELS	DESCRIPTION	R / P	PART NUMBER	Q T Y.	REV. REF	
						F	T
8708-9001	FJ62	51100F FRAME SUB-ASSY		51002-60+32-	1		
8708-9001	FJ62	51201A CROSSMEMBER SUB-ASSY, FRAME, FRONT		51201-60080-	1		
8708-9001	FJ62	51202 CROSSMEMBER SUB-ASSY, FRAME, NO.2		51202-60151-	1		
8708-9001	FJ62	51204 CROSSMEMBER SUB-ASSY, FRAME, NO.3		51203-60102-	1		
8708-9001	FJ62	51205 CROSSMEMBER SUB-ASSY, FRAME, NO.4		51204-60052-	1		
8708-9001	FJ62	51205C CROSSMEMBER SUB-ASSY, FRAME, NO.5		51205-60010-	1		
8708-9001	FJ62	51209C CROSSMEMBER SUB-ASSY, FRAME, REAR		51209-60050-	1		
8708-9001	FJ62	51217 REINFORCEMENT, FRONT CROSSMEMBER, LOWER RH		51217-60011-	1		
8708-9001	FJ62	51218 REINFORCEMENT, FRONT CROSSMEMBER, LOWER L"		51218-60011-	1		
8708-9001	FJ62	51321 GUSSET, CROSSMEMBER, NO.2 RH		51321-60030-	2		

PROD. DATE	MODELS	DESCRIPTION	R / P	PART NUMBER	Q T Y.	REV. REF	
						F	T
8708-9001	FJ62	SUPPORT SUB-ASSY, RADIATOR, RH		53202-90A04-	1		
8708-8810	FJ62	SUPPORT SUB-ASSY, RADIATOR, LH		53203-90A05-	1		
8810-9001	FJ62-WGG				1		
8708-9001	FJ62	SUPPORT SUB-ASSY, RADIATOR, UPPER		53216-90A03-	1		
8708-8801	FJ62	BRACE, HOOD LOCK SUPPORT		53217-90A03-	1		
8801-9001	FJ62			53217-90A05-	1		
8708-9001	FJ62	SEAL, RADIATOR SUPPORT, UPPER		53292-90A00-	1		
8708-9001	FJ62	APRON SUB-ASSY, FRONT FENDER, RH		53701-90G90-	1		
8708-9001	FJ62	APRON SUB-ASSY, FRONT FENDER, LH		53702-90A70-	1		
8708-9001	FJ62	SEAL, FRONT FENDER APRON TO FRAME, FRONT		53738-90A00-	2		
8708-9001	FJ62	SEAL, FRONT FENDER APRON TO FRAME, REAR		53739-90A00-	2		
8708-9001	FJ62	PANEL SUB-ASSY, DASH		55016-90A75-	1		

PROD. DATE	MODELS	DESCRIPTION	R / P	PART NUMBER	Q T Y.	REV. REF	
						F	T
8708-9001	FJ62	PANEL SUB-ASSY, DASH CONTINUED W(AIR CONDITIONER)		55016-90A76-	1		
8708-9001	FJ62	INSULATOR ASSY, DASH PANEL		55210-90A12-	1		
8708-9001	FJ62	INSULATOR, DASH PANEL HEAT, NO. 1		55225-90A00-	1		
8708-9001	FJ62	MEMBER SUB-ASSY, FRONT CROSS		57104-90A03-	1		

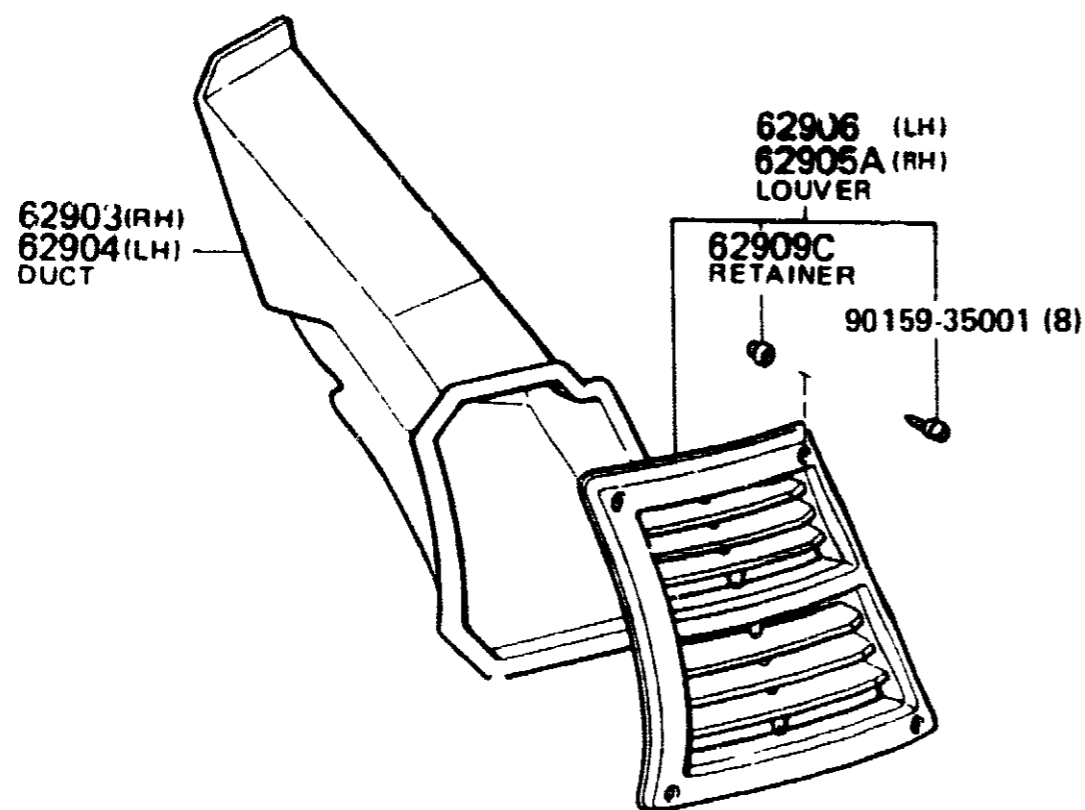
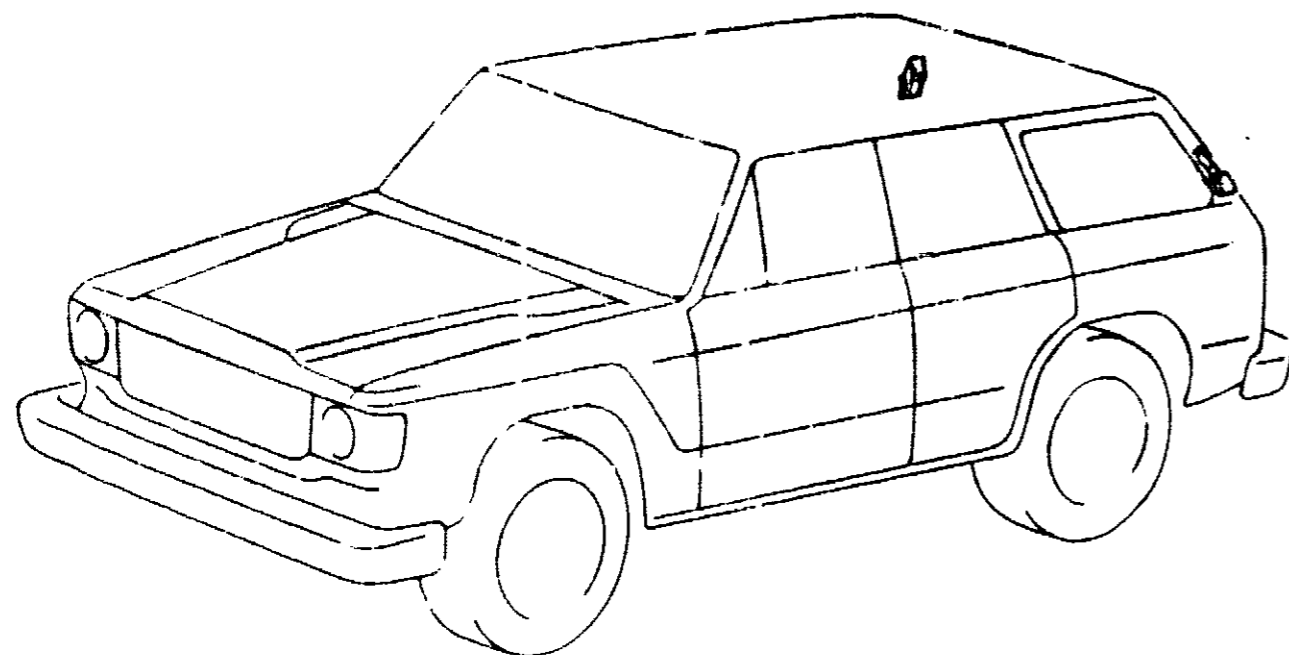
(8708-)



MB L912

PROD. DATE	MODELS	DESCRIPTION	R / P	PART NUMBER	Q T Y.	REV. REF	
						F	T
8708-9001	FJ62	INSULATOR SUB-ASSY, MAIN MUFF HEAT, FRONT		58041-90A01-	1		
8708-9001	FJ62	INSULATOR SUB-ASSY, MAIN MUFF HEAT, REAR		58043-90A00-	1		
8708-9001	FJ62	INSULATOR, FRONT FLOOR HEAT, NO.1		58151-90A05-	1		
8708-9001	FJ62	INSULATOR, FRONT FLOOR HEAT, NO.2		58153-90A01-	1		
8708-9001	FJ62	INSULATOR, FRONT FLOOR HEAT, NO.3		58155-90A01-	1		
8708-9001	FJ62	BRACKET, CENTER FLOOR HEAT INSULATOR, NO.1		58231-90A00-	1		
8708-9001	FJ62				2		
8708-9001	FJ62	BRACKET, FRONT FLOOR HARNESS		58256-90B00-	1		
8708-9001	FJ62	BRACKET, FUEL HOSE PROTECTOR, REAR		58344-90A01-	2		
8708-9001	FJ62				3		
8708-9001	FJ62	BRACKET, REAR FLOOR HEAT INSULATOR, 1		58345-90A00-	1		

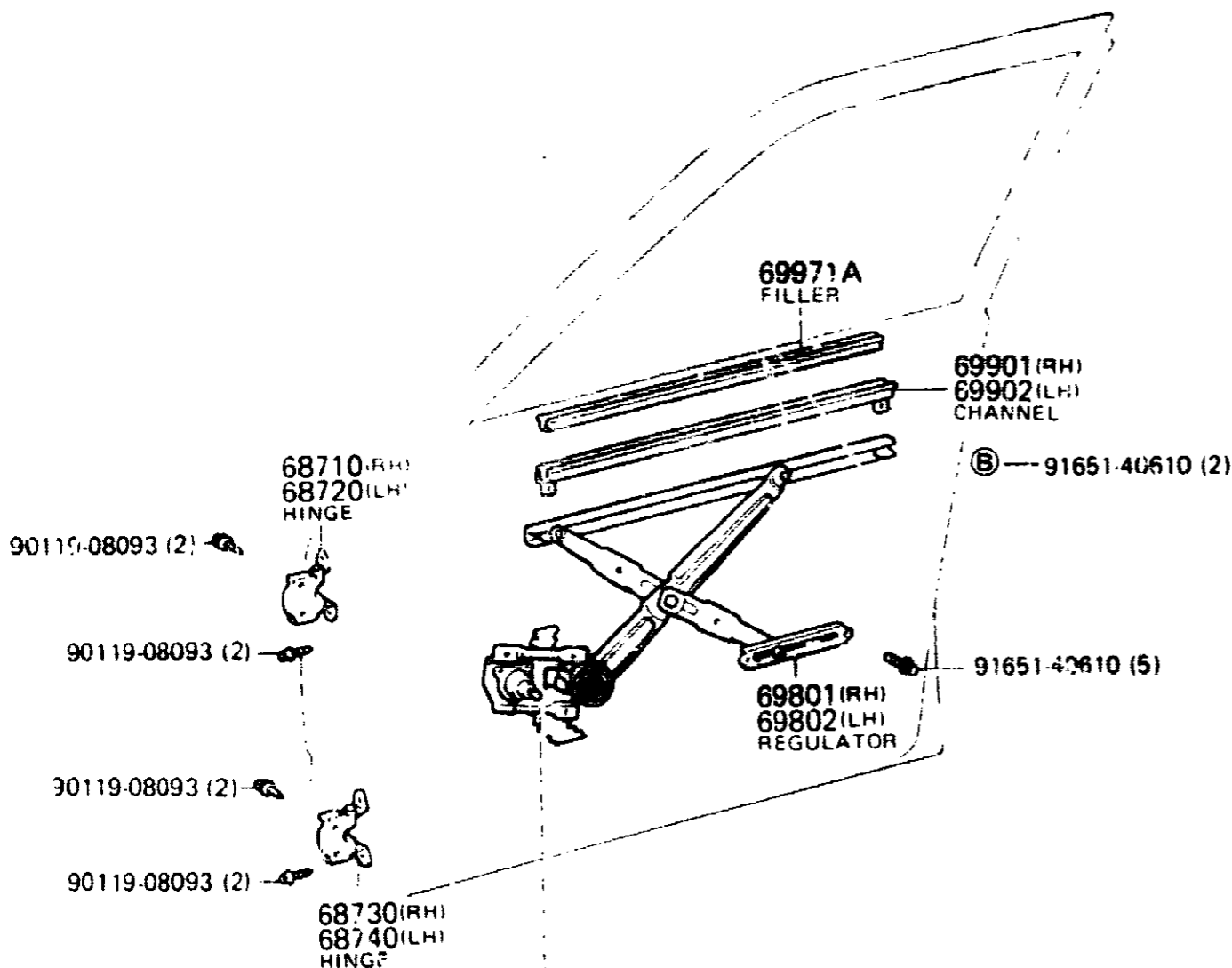
(8708-)



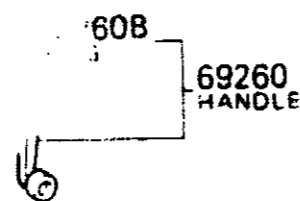
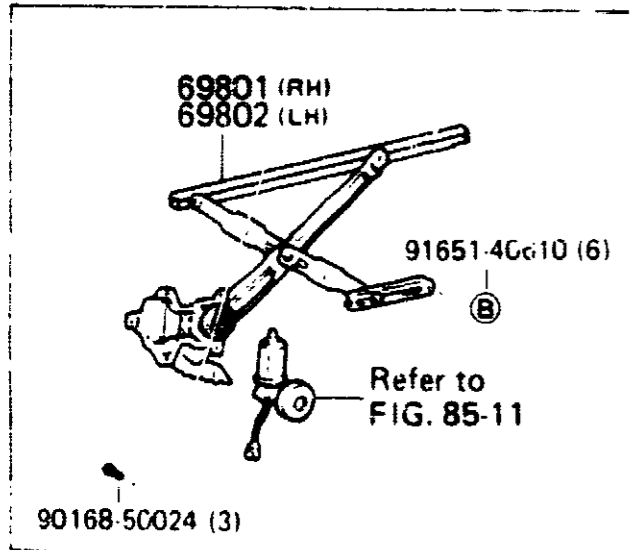
MB L942-A

PROD. DATE	MODELS	DESCRIPTION	R / P	PART NUMBER	QTY.	REV. REF.	
						F	T
8708-9001	62903	DUCT SUB-ASSY, QUARTER VENTILATOR, RH		62903-90A00-	1		
	FJ62						
8708-9001	62904	DUCT SUB-ASSY, QUARTER VENTILATOR, LH		62904-90A00-	1		
	FJ62						
8708-9001	62905A	LOUVER, QUATER VENTILATION, RH		62905-69015-	1		
	FJ62						
8708-9001	62906	LOUVER, QUATER VENTILATION, LH		62906-69015-	1		
	FJ62						
8708-9001	62909C	RETAINER SUB-ASSY, ROOF SIDE VENT LOUVER		62909-22010-	8		
	FJ62						

(8708-)



W/ Power Window

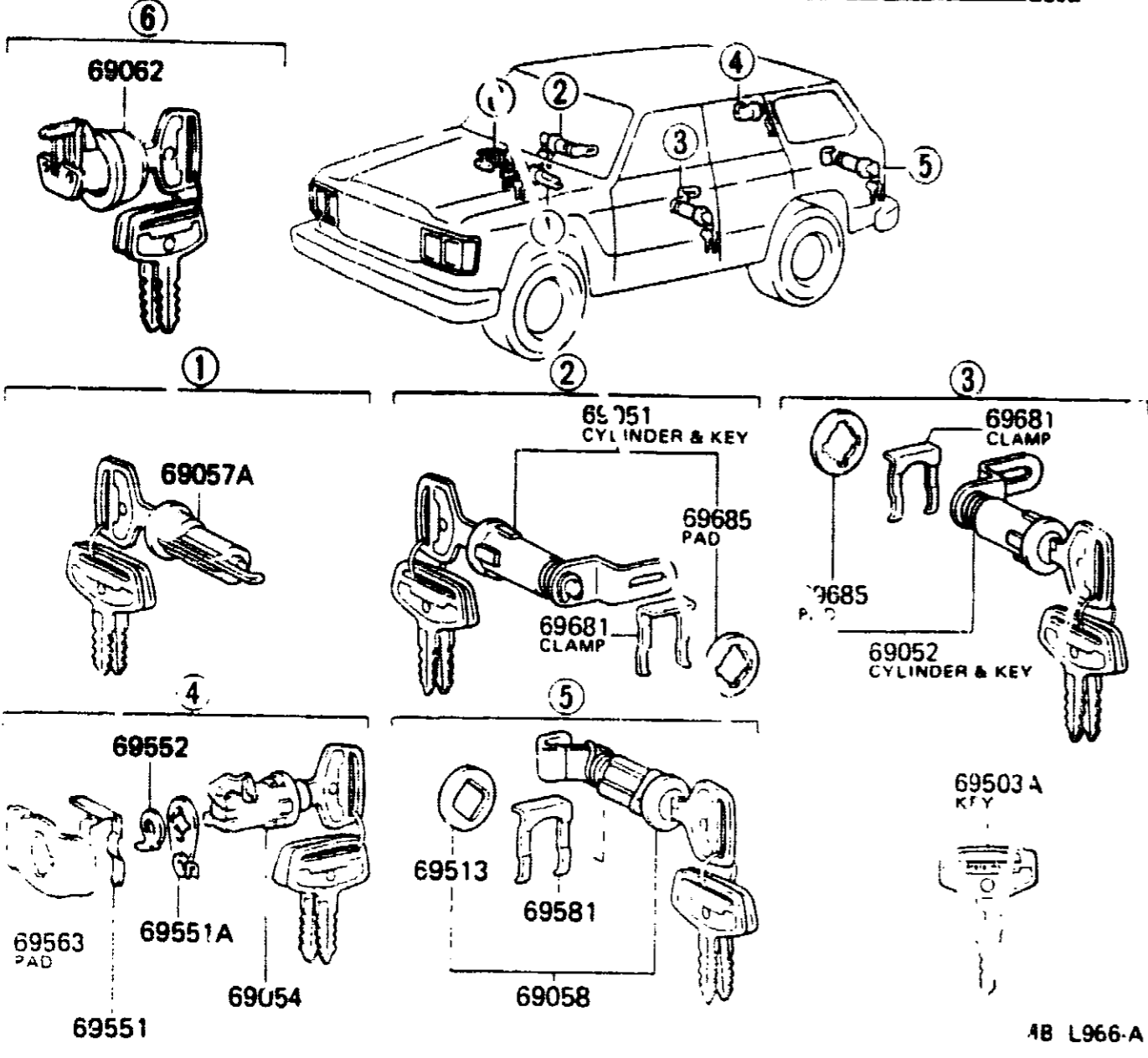
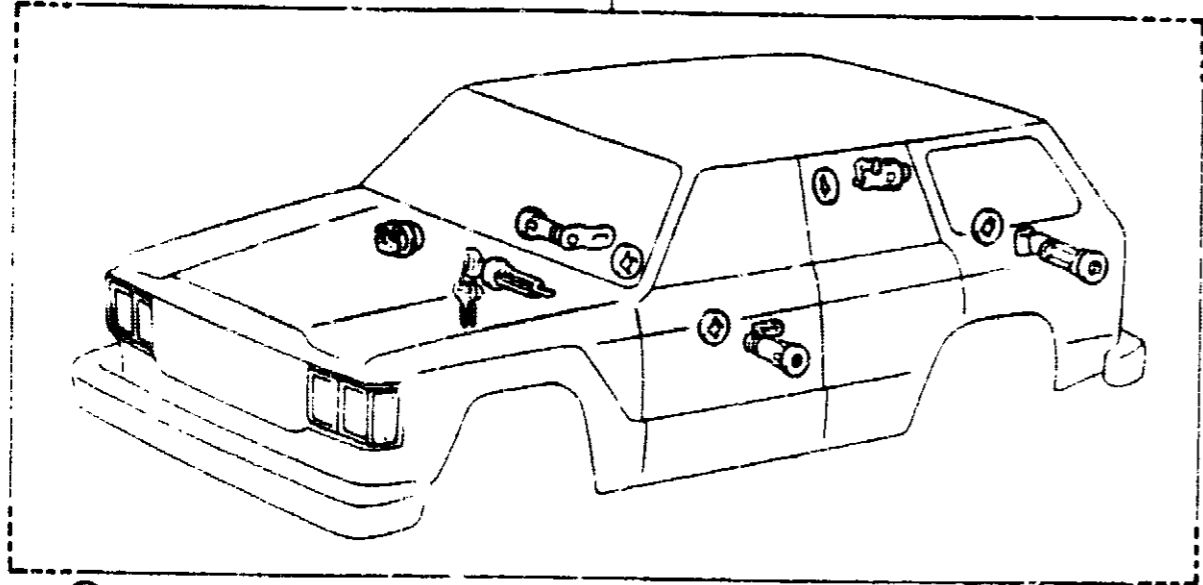


MB L951

PROD. DATE	MODELS	DESCRIPTION	R / P	PART NUMBER	Q T Y.	REV. REF	
						F	T
8708-9001	FJ62	HINGE ASSY, FRONT DOOR, UPPER RH		68710-14020-	1		
8708-9001	FJ62	HINGE ASSY, FRONT DOOR, UPPER LH		68720-14020-	1		
8708-9001	FJ62	HINGE ASSY, FRONT DOOR, LOWER RH		68730-14020-	1		
8708-9001	FJ62	HINGE ASSY, FRONT DOOR, LOWER LH		68740-14020-	1		
P 8708-9001	FJ62	HANDLE ASSY, FRONT DOOR WINDOW REGULATOR GRAY (TRIM)		69260-12010-03	2		
P 8708-9001	FJ62	HANDLE ASSY, FRONT DOOR WINDOW REGULATOR BROWN (TRIM)		69260-12010-46	2		
8708-9001	FJ62	RING, SHAFT SNAP (FOR FRONT DOOR WINDOW REGULATOR HANDLE)		90520-01002-	2		
8708-9001	FJ62	PLATE, FRONT DOOR REGULATOR INSIDE HANDLE NATURAL WHITE (TRIM 1,4)		69285-22010-08	2		
8708-9001	FJ62	REGULATOR SUB-ASSY, FRONT DOOR WINDOW, RH W (POWER WINDOW)		69801-90A00-	1		
8708-9001	FJ62	REGULATOR SUB-ASSY, FRONT DOOR WINDOW, LH W (POWER WINDOW)		69802-90A00-	1		
8708-9001	FJ62	REGULATOR SUB-ASSY, FRONT DOOR WINDOW, RH W (POWER WINDOW)		69801-90A02-	1		
8708-9001	FJ62	REGULATOR SUB-ASSY, FRONT DOOR WINDOW, LH W (POWER WINDOW)		69802-90A02-	1		

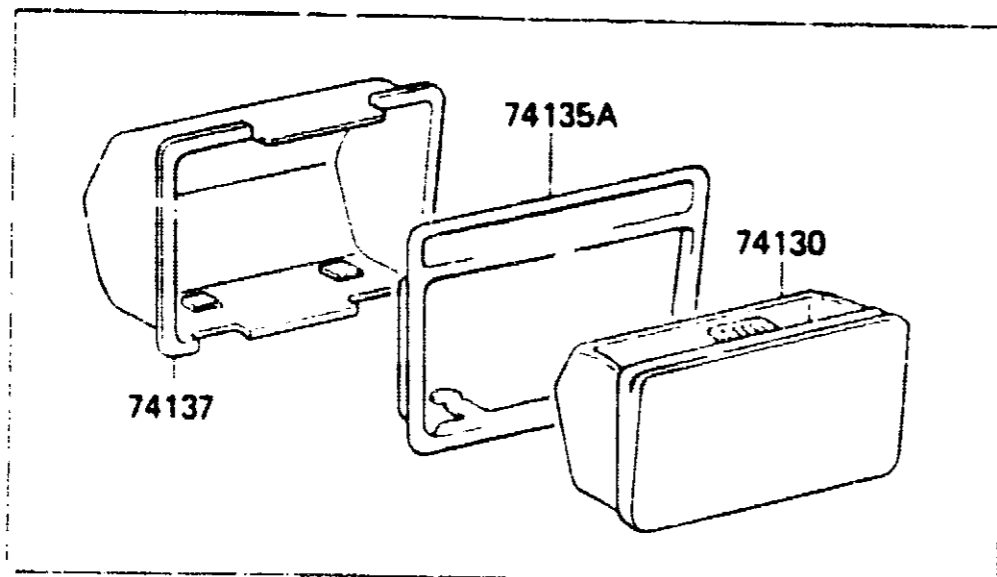
(8708-)

69503
CYLINDER SET

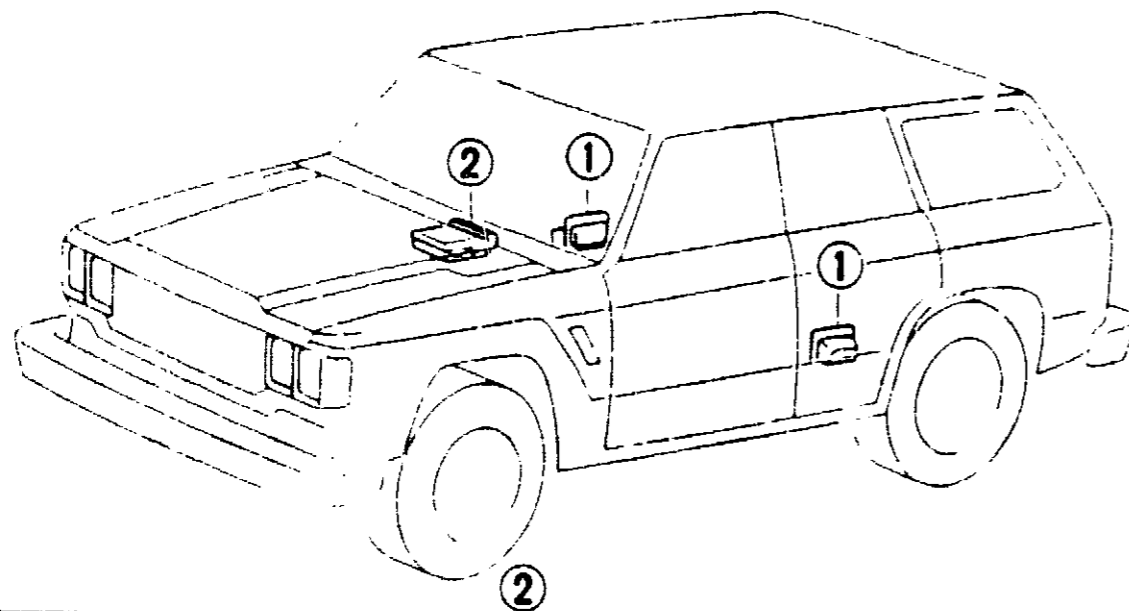


PROJ. DATE	MODELS	DESCRIPTION	R / P	PART NUMBER	QTY.	REV. REF	
						F	T
8708-9001	FJ62	69051 CYLINDER AND KEY SET, DOOR LOCK, RH		69051-90A106-	1		
8708-9001	FJ62	69052 CYLINDER AND KEY SET, DOOR LOCK, LH		69052-90A06-	1		
8708-9001	FJ62	69054 CYLINDER AND KEY SET, BACK DOOR LOCK		69055-90A06-	1		
8708-9001	FJ62	69055 CYLINDER AND KEY SET, BACK DOOR LOCK (POWER WINDOW)		69055-90A11-	1		
8708-9001	FJ62	69057A CYLINDER & KEY SET, IGNITION SWITCH LOCK		69057-90A08-	1		
8708-9001	FJ62	69058 CYLINDER AND KEY SET, FUEL FILLER LID		69058-90A02-	1		
8708-9001	FJ62	69062 CYLINDER AND KEY SET, GLOVE COMPARTMENT LOCK		69056-90A01-	1		
8708-9001	FJ62	69503 CYLINDER SET, LOCK (POWER WINDOW)		69005-90A47-	1		
8708-9001	FJ62	69503A KEY, BLANK		69005-90A62-	1		
8708-9001	FJ52	MASTER KEY		90999-00066-	1		
8708-9001	FJ62	MASTER KEY (*68)		90999-00104-	1		
8708-9001	FJ62	69513 PAD, FUEL FILLER LID LOCK CYLINDER		69513-14010-	1		

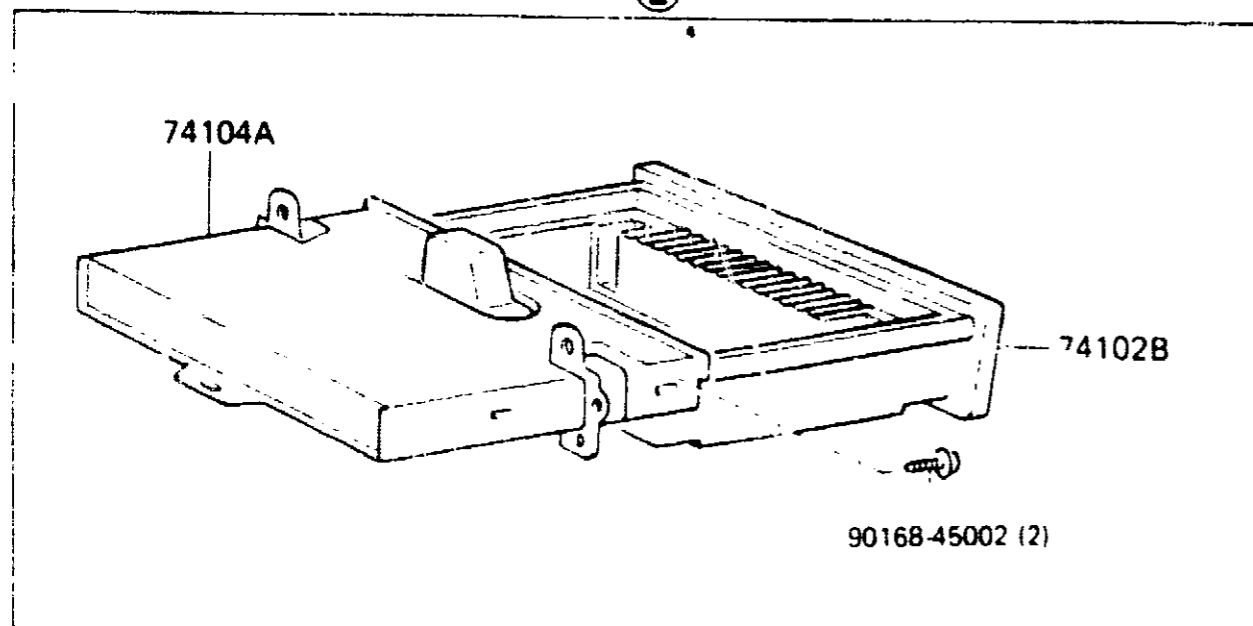
(8708-)



①



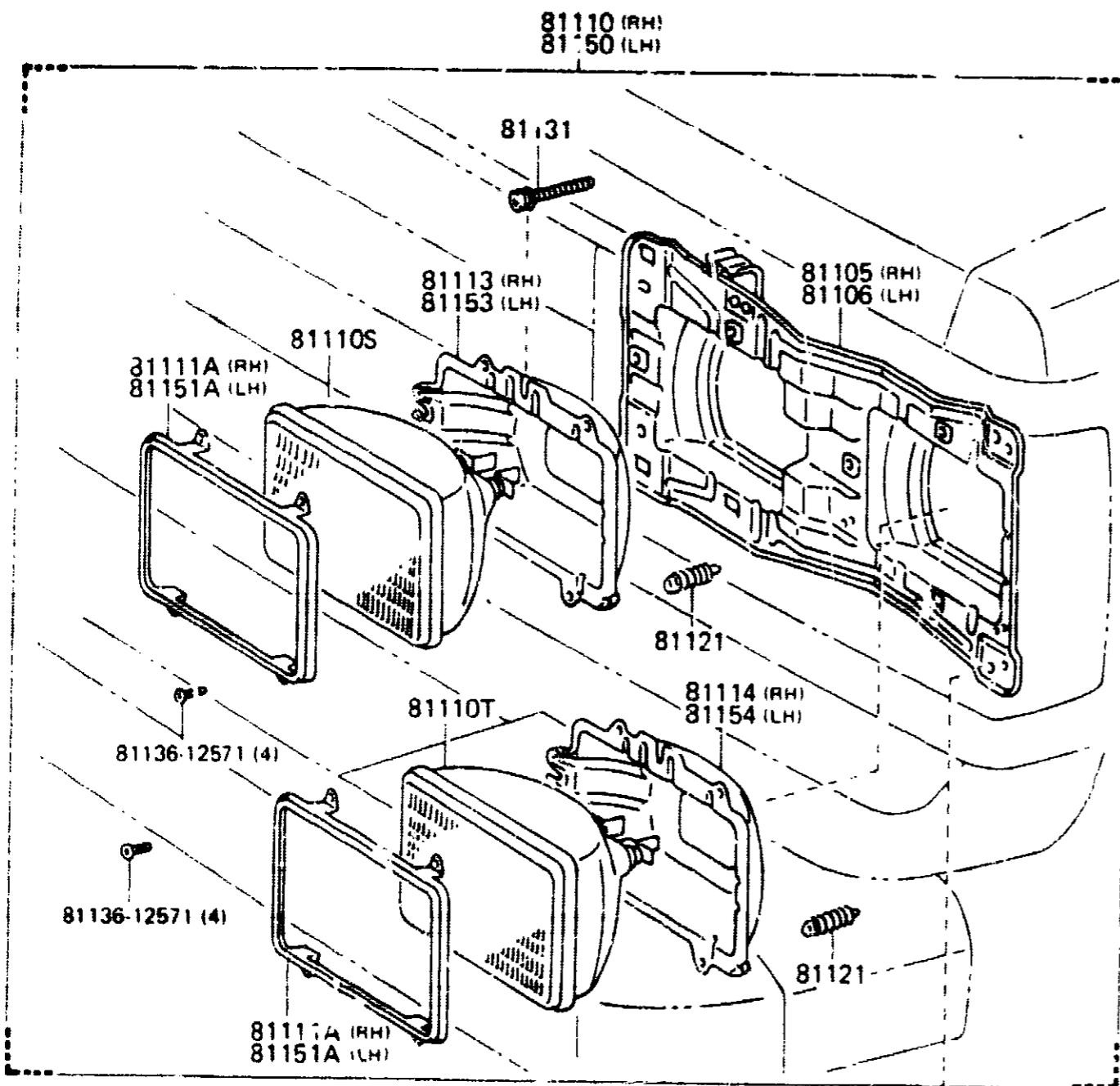
②



MB L972-A

PROD. DATE	MODELS	DESCRIPTION	R / P	PART NUMBER	Q T Y.	REV. REF	
						F	T
8708-9001	FJ62	74102B BOX SUB-ASSY, FRONT ASH RECEPTACLE 74104A RETAINER SUB-ASSY, FRONT ASH RECEPTACLE		74102-90A01-	1		
8708-9001	FJ62	74130 RECEPTACLE ASSY, REAR ASH SEPIA BROWN (TRIM4)		74105-10010-10	2		
8708-9001	FJ62	74130 RECEPTACLE ASSY, REAR ASH GRAY (TRIM1)		74105-10010-13	2		
8708-9001	FJ62	74135A RETAINER, REAR ASH RECEPTACLE		74135-10030-	2		
8708-9001	FJ62	74137 RETAINER, REAR ASH RECEPTACLE, INNER RH		74137-10030-	2		

(8708-)



91656-40616 (4)

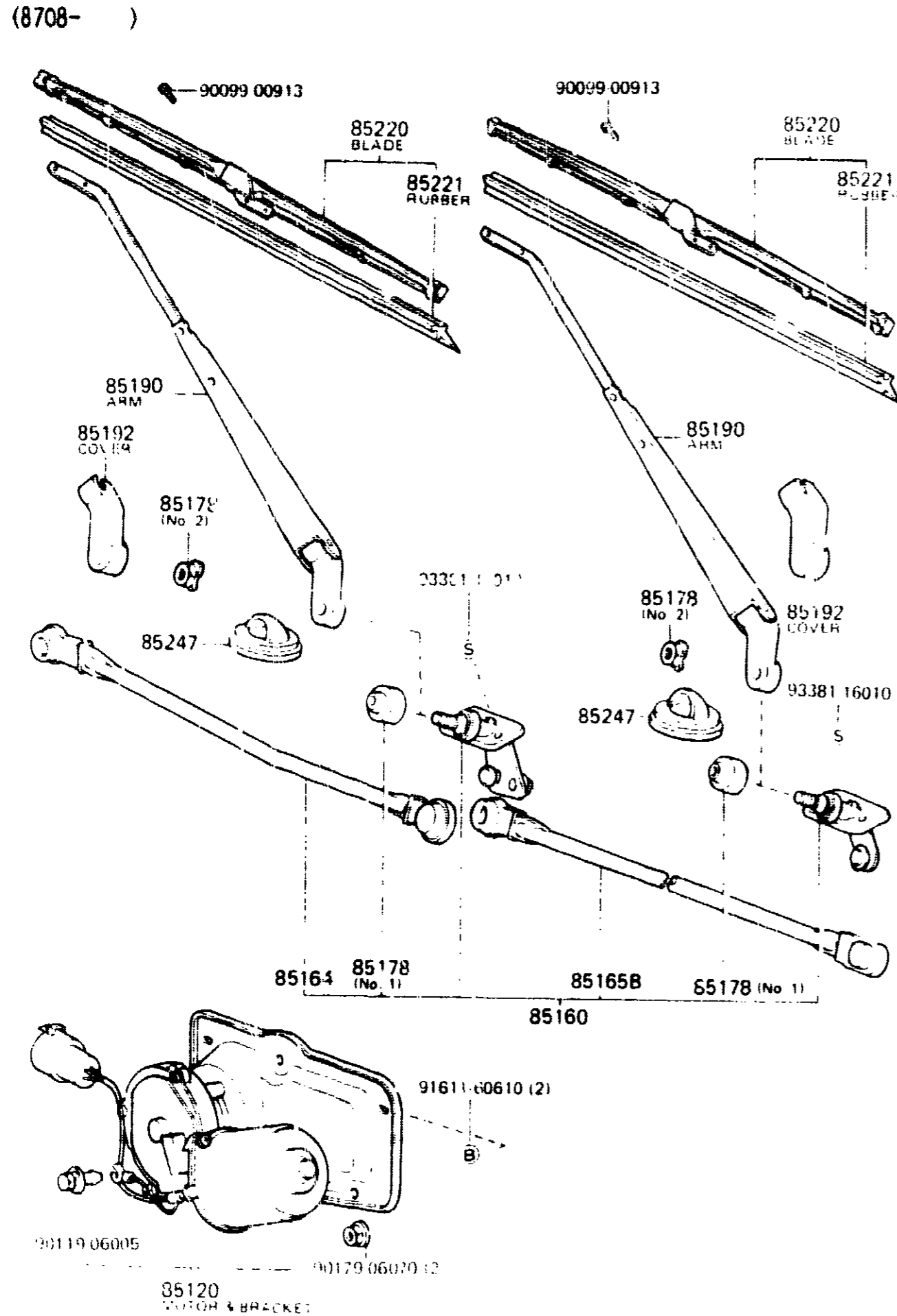
ME J474

PROD. DATE	MODELS	DESCRIPTION	R / P	PART NUMBER	Q T Y.	REV. REF	
						F	T
8708-9001	FJ62	HOUSING SUB-ASSY, HEADLAMP, RH		81105-90A27-	1		
8708-9001	FJ62	HOUSING SUB-ASSY, HEADLAMP, LH		81106-90A27-	1		
8708-9001	FJ62	HEADLAMP ASSY, RH		81110-90A28-	1		
8708-9001	FJ62	SEALED BEAM UNIT, NO.1 12V 50W, WHITE		90981-05034-	2		
8708-9001	FJ62	SEALED BEAM UNIT, NO.2 12V 40/60W, WHITE		90981-05035-	2		
8708-9001	FJ62	RING, SEALED BEAM RETAINING, NO.1 RH		81111-20360-	2		
8708-9001	FJ62	RING, SEALED BEAM MOUNTING, NO.1 RH		81113-90B04-	1		
8708-9001	FJ62	RING, SEALED BEAM MOUNTING, NO.2 RH		81154-22391-	1		
8708-9001	FJ62	SPRING, HEADLAMP TENSION		81121-14320-	4		
8708-9001	FJ62	SCREW, HEADLAMP ADJUSTING		81131-28050-	8		

PROD. DATE	MODELS	DESCRIPTION	R/P	PART NUMBER	QTY.	REV. REF.	
						F	T
8708-9001	82151 CONTINUED FJ62	WIRE, FRONT DOOR, RH W(POWER WINDOW & DOOR REMOTE CONTROL MIRROR)		82151-90A10-	1		
8708-9001	FJ62	W(DOOR REMOTE CONTROL MIRROR)		82151-90A13-	1		
8708-9001	82152 FJ62	WIRE, FRONT DOOR, LH		82151-90A05-	1		
8708-9001	FJ62	W(DOOR REMOTE CONTROL MIRROR)		82151-90A13-	1		
8708-9001	FJ62	W(POWER WINDOW)		82152-90A05-	1		
8708-9001	FJ62	W(POWER WINDOW & DOOR REMOTE CONTROL MIRROR)		82152-90A06-	1		
8708-9001	82153 FJ62	WIRE, REAR DOOR, NO.1		82153-90A01-	1		
8708-9001	FJ62						
8708-9001	82154 FJ62	WIRE, REAR DOOR, NO.2		82154-90A03-	1		
8708-9001	FJ62						
8708-9001	82155 FJ62	WIRE, CENTER PILLER, NO.1		82155-90A02-	1		
8708-9001	FJ62						
8708-9001	82161 FJ62	WIRE, FLOOR		82161-90A40-	1		
8708-9001	FJ62						
8708-9001	82162 FJ62	WIRE, FLOOR, NO.2		82162-90A38-	1		
8708-9001	FJ62						
8708-9001	82163 FJ62	WIRE, FLOOR, NO.3		82163-90A21-	1		

PROD. DATE	MODELS	DESCRIPTION	R/P	PART NUMBER	QTY.	REV. REF.	
						F	T
8708-9001	82164 FJ62	WIRE, FRAME		82164-90A03-	1		
8708-9001	FJ62						
8708-9001	82166 FJ62	WIRE, CONSOLE BOX		82166-90A00-	1		
8708-9001	FJ62						
8708-9001	82171 FJ62	WIRE, ROOF, NO.1		82171-90A10-	1		
8708-9001	FJ62						
8708-9001	82173 FJ62	WIRE, ROOF, NO.3		82173-90A00-	1		
8708-9001	FJ62						
8708-9001	82181 FJ62	WIRE, LUGGAGE ROOM, NO.1		82181-90A00-	1		
8708-9001	FJ62						
8708-9001	82182 FJ62	WIRE, LUGGAGE ROOM, NO.2		82182-90A02-	1		
8708-9001	FJ62						
8708-9001	82183 FJ62	WIRE, LUGGAGE ROOM, NO.3		82183-90A01-	1		
8708-9001	FJ62						
8708-9001	82184 FJ62	WIRE, BACK DOOR, NO.1 LH		82184-90A03-	1		
8708-9001	FJ62						
8708-9001	82185 FJ62	WIRE, BACK DOOR, NO.2		82185-90A05-	1		
8708-9001	FJ62						
8708-9001	82187 FJ62	WIRE, REAR WINDOW, NO.2		82187-90A00-	1		

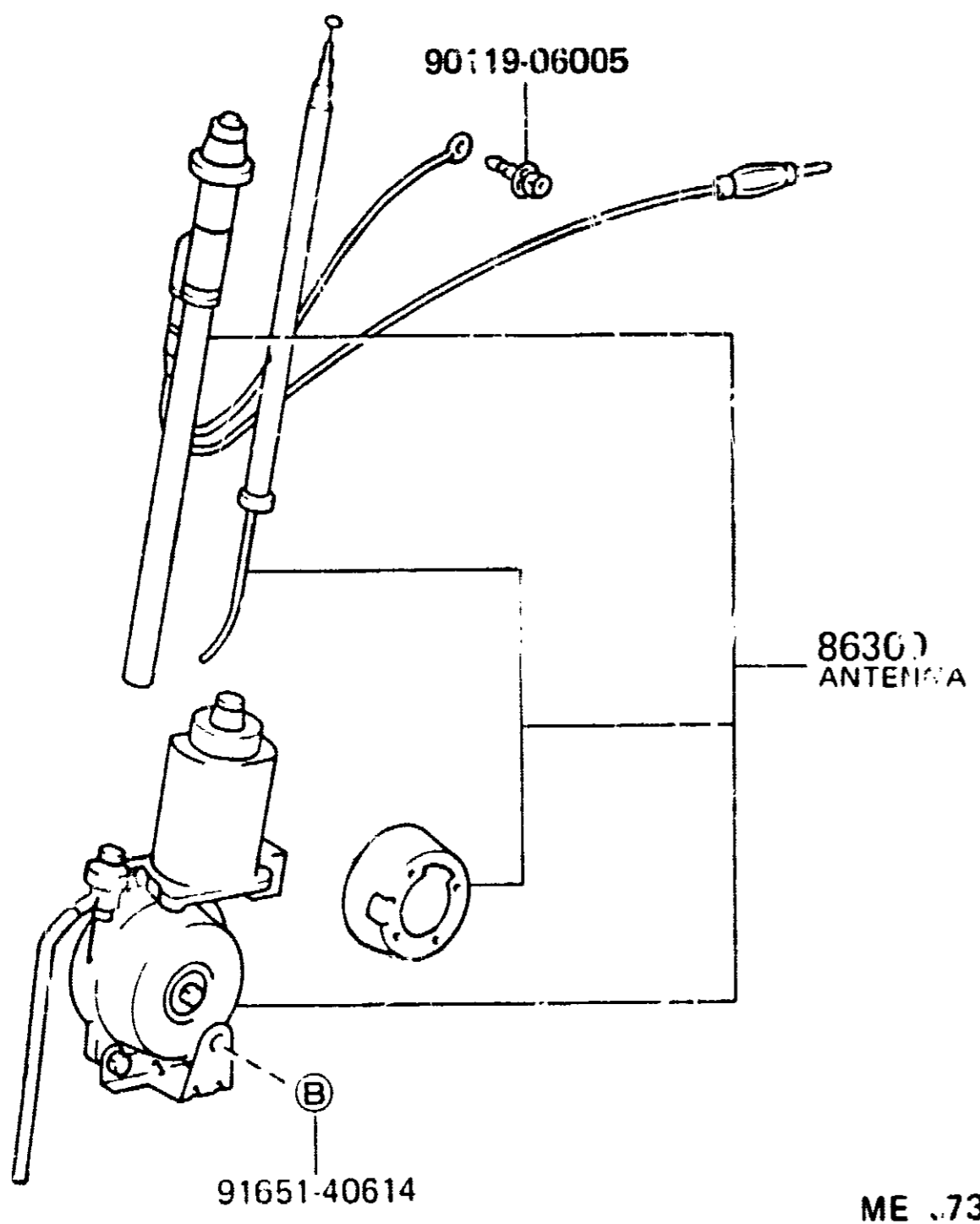
3110



PROD. DATE	MODELS	DESCRIPTION	R / P	PART NUMBER	QTY.	REV. REF	
						F	T
		1 85120 1 MOTOR AND BRACKET ASSY, WINDSHIELD WIPER					
8708-9001	FJ62			85120-90A35-	1		
		1 85160 1 LINK ASSY, WINDSHIELD WIPER					
8708-9001	FJ62			85160-90A07-	1		
		1 85164 1 ROD, WINDSHIELD WIPER LINK, NO.1					
A 8708-9001	FJ62			85164-90A02-	1		
		1 85165B 1 ROD, WIPER LINK, NO.2					
A 8708-9001	FJ62			85165-90A01-	1		
		1 85178 1 NUT (FOR WIPER ARM SETTING)					
8708-9001	FJ62	NO. 1		85178-90A00-	2		
8708-9001	FJ62	NO. 2		90179-08026-	2		
		1 85190 1 ARM ASSY, WINDSHIELD WIPER					
8708-9001	FJ62	LH		85190-90A02-	1		
8708-9001	FJ62	RH		85210-90A01-	1		
		1 85192 1 COVER, WINDSHIELD WIPER ARM					
8708-9001	FJ62			85192-14010-	2		
		1 85220 1 BLADE ASSY, WINDSHIELD WIPER					
8708-9001	FJ62	LH		85220-16270-	1		
8708-9001	FJ62	RH		85220-16340-	1		
		1 85221 1 BLADE, WINDSHIELD WIPER					
8708-9001	FJ62			85221-30100-	2		

ME J649 A

(8708-)

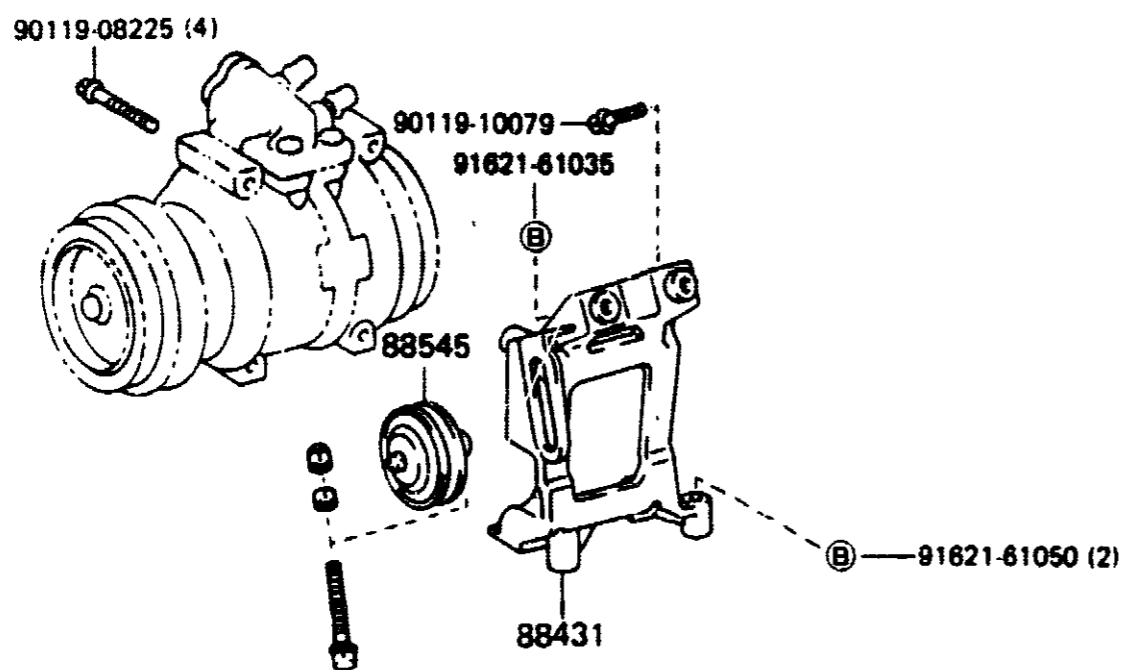


ME .731

PROD. DATE	MODELS	DESCRIPTION	R / P	PART NUMBER	Q T Y.	REV. REF	
						F	T
	86300	ANTENNA ASSY, W/HOLDER					
8708-8810	FJ62			# 86300-90A17- (86300-90A25-)	1		
8810-9001	FJ62..WGG			86300-90A25-	1		

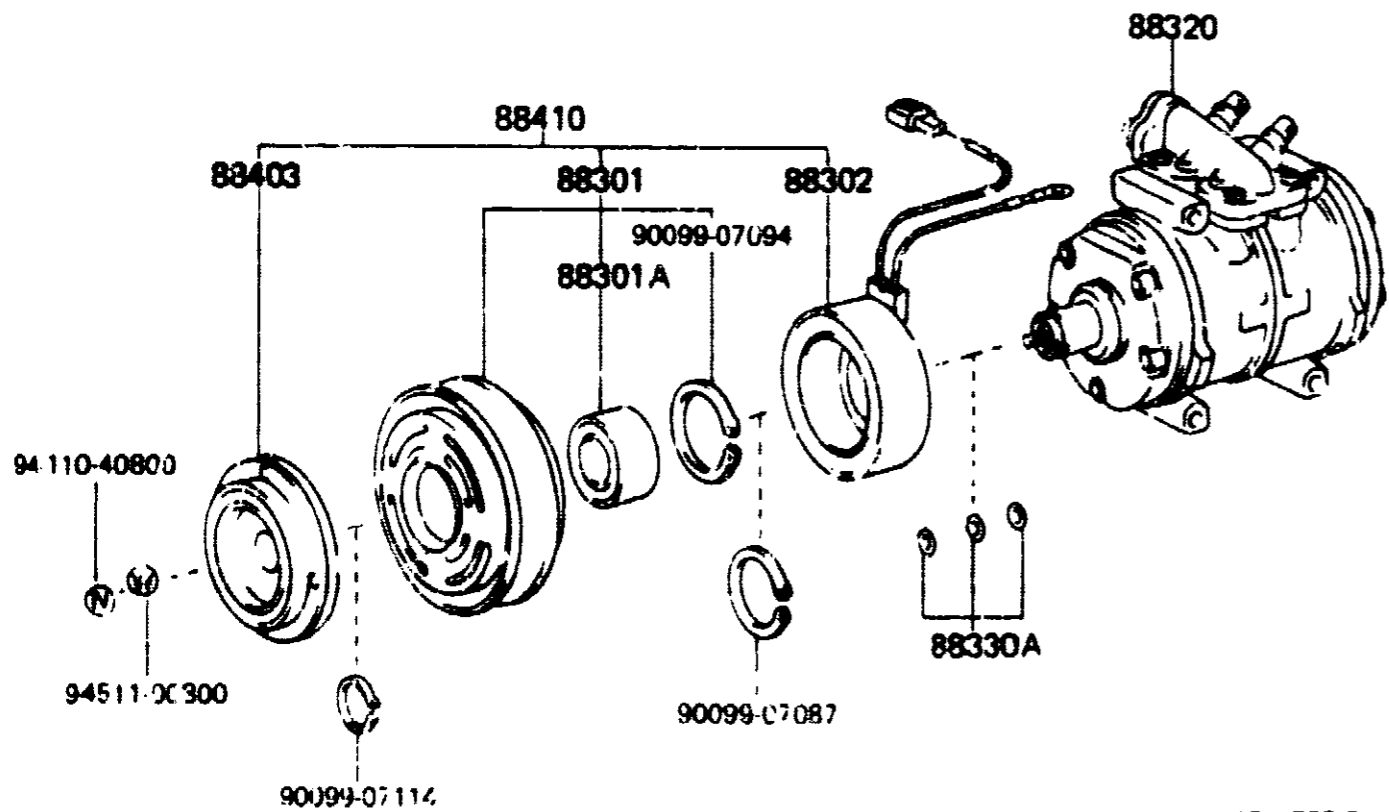
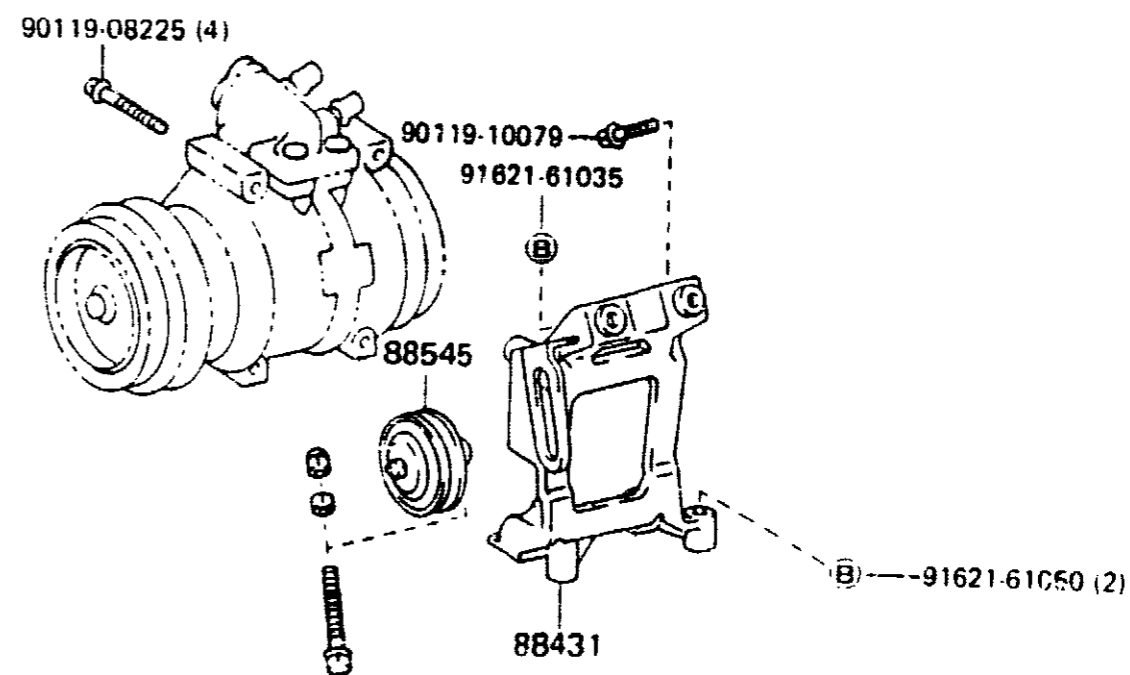
(E708-8808)

ILLUST. NO. 1 OF 2

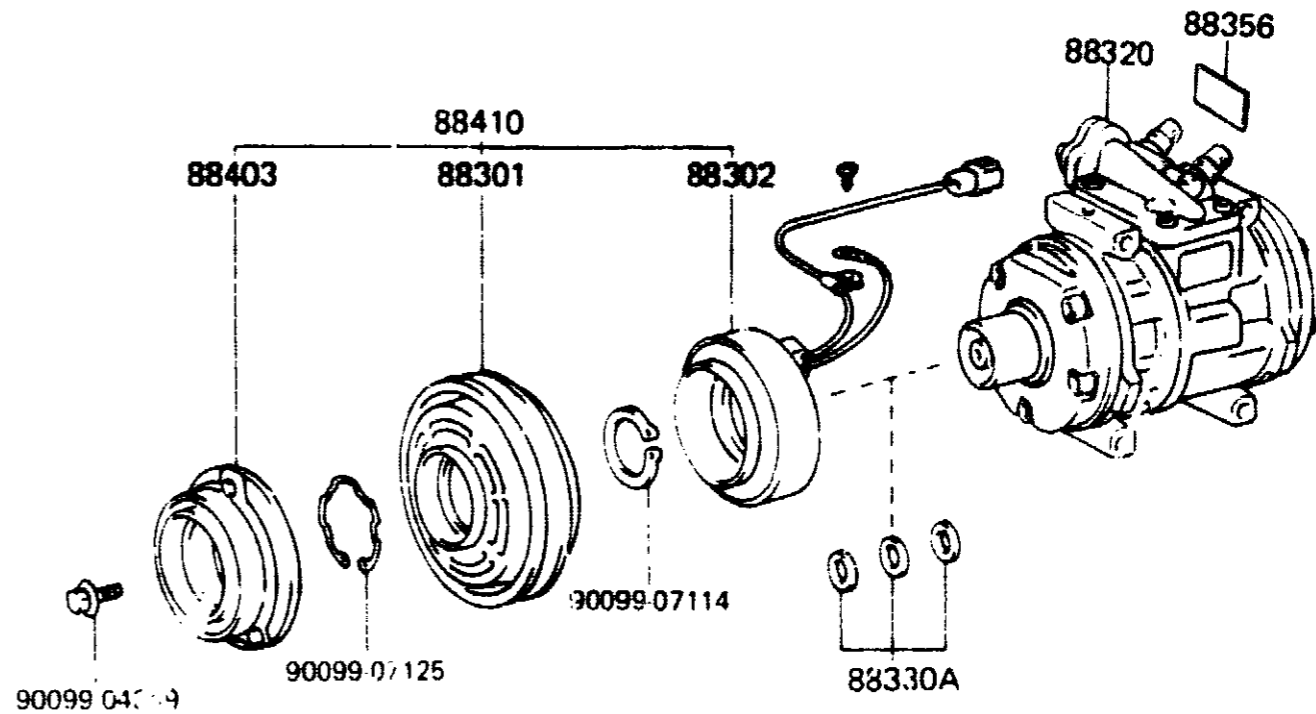


(8808-)

ILLUST. NO. 1 OF 2



ME J729-B



ME M63

CONTENTS
(PART NUMBER - LOCATION)

A14

791430H-00026
04044 - 16361

04044 - 16361	-----	A14
16363 - 35676	-----	B14
35676 - 45130	-----	C14
45130 - 57402	-----	D14
57405 - 67917	-----	E14
68111 - 81520	-----	F14
81521 - 89668	-----	G14
89669 - 90389	-----	H14
90389 - 91511	-----	I14
91611 - 99915	-----	J14

PART NUMBER	LOCATION	PART NUMBER	LOCATION	PART NUMBER	LOCATION
04044-60150-	2J7	11253-61010-	1H1	13103-61032-	1A2
04111-61070-	1E1	11292-61010-	1A4	13105-61032-	1A2
04112-61060-	1E1	11298-61040-	1A4	13107-61031-	1A2
04351-60011-	2D1 N	-61041-	1A4	-61032-	1A2
04371-10011-	2M6 N	-61042-	1A4	13201-38011-	1A2
-36030-	2K4	-61050-	1A4	13204-61020-	1A2
04412-60030-	2B5 N	-61051-	1A4	13265-39025-	1A2
04434-60012-	2E9 N	-61052-	1A4	13401-61021-	1A2
04443-60330-	2G8	-61060-	1A4	-61023-	1A2
04445-60030-	2J7 S	-61061-	1A4	13470-61030-	1B2
04446-30030-	2D7 N	-61062-	1A4	13471-61010-	1B2
-35010-	2D7	11302-61031-	1J1	13511-60060-	1C2
04455-60020-	2J7	11311-61020-	1J1	13521-61010-	1B2
04474-60010-	2J8 P	11312-61020-	1J1	13523-61010-	1C2
04476-60050-	2J8 B	-61021-	1J1	13571-61010-	1C2
04477-60010-	2B9	11328-61010-	1J1	13711-61010-	1C2
04479-30030-	2H8	11369-60011-	1J1	13715-61040-	1D2
04481-60030-	2H9 P	11400-61120-	1D1	13734-60030-	1D2
04482-60040-	2H9 B	-61121-	1D1	13741-60030-	1D2
	2L9 B	11401-69306-	1H1	-61010-	1D2
04483-60050-	2L9	11452-61010-	1I1	13751-61020-	1D2
04491-60030-	2H8	11495-61010-	1H1	13755-61020-	1D2
04493-60160-	2D8	11701-61010-01	1M1	13781-61020-	1D2
04495-60010-	2J8	-61010-02	1M1	13811-61030-	1D2
-60011-	2J8	-61010-03	1A2	13812-61030-	1D2
09114-60050-	1A1	-61010-04	1A2	13901-61020-	1D2
09115-60030-	1A1	-61010-05	1A2	13952-61012-	1D2
09116-35041-	1A1	11704-61010-	1M1	13994-61020-	1D2
09120-60100-	1A1	11705-61010-	1M1	15012-60014-	1E2
09150-60020-	1A1	11802-61010-	1C2	15100-61011-	1E2
09155-44010-	1A1	11804-61010-	1C2	15121-61011-	1E2
09183-00030-	1B1	11805-61010-	1C2	15122-61011-	1E2
-60010-	1B1	12101-61030-	1I1	15125-60013-	1E2
11011-61010-	1M1	12151-61011-	1I1	15126-60013-	1E2
11012-61010-	1M1	12157-10010-	2F5	15131-24010-	1E2
11013-61010-	1M1		2H1	15132-40010-	1E2
11071-61010-01	1M1		2H6	15133-24010-	1E2
-61010-02	1M1	12180-61010-	1G1	15301-60031-	1I1
-61010-03	1M1	12195-71020-	1G1	15403-60020-	1F2
-61010-04	1M1	12204-35040-	1L1	15600-41010-	1G2
-61010-05	1M1	12221-61010-	1L1	15609-61012-	1G2
11072-61010-01	1M1	12261-61060-	1L1	15691-60010-	1G2
-61010-02	1M1	12262-61020-	1L1	15710-61010-	1H2
-61010-03	1M1	12311-61071-	1K1	15770-61010-	1H2
-61010-04	1M1	12361-61030-	1K1	15777-61030-	1H2
-61010-05	1M1	-61031-	1K1	16100-69195-	1I2
11073-61010-01	1M1	12371-61040-	1K1	16110-61180-	1I2
-61010-02	1M1 A	-61041-	1K1	16117-61110-	1I2
-61010-03	1M1 P	12511-61060-	1K1	16124-61110-	1I2
-61010-04	1M1 B	-61061-	1K1	16171-61071-	1I2
-61010-05	1M1	13011-61062-	1A2	16173-61070-	1I2
11101-61080-	1F1	13013-61062-	1A2	16198-41050-	1I2
11115-61020-	1F1	13015-61062-	1A2	16210-61140-	1I2
11122-61011-	1F1	13017-61062-	1A2	16259-52010-	1I2
11123-61011-	1F1	13041-35020-0A	1A2	16261-61020-	1K2
11126-61011-	1G1	-35020-0	1A2	16264-61010-	1K2
11127-61011-	1G1	-35020-0C	1A2	16268-61010-	1K2
11131-61010-	1G1	13101-61031-	1A2	16271-61010-	1I2
11132-61010-	1G1	-61031-01	1A2	16303-61020-	1K2
11135-60010-	1G1	-61031-02	1A2	16304-61030-	1K2
11136-60030-	1G1	-61031-03	1A2	16341-61020-	1K2
11201-61041-	1G1	-61032-01	1A2	16343-61010-	1K2
11213-61020-	1G1	-61032-02	1A2	16360-61015-	1K2
11251-61020-	1H1	-61032-03	1A2	16361-61020-	1K2

REVISION REFERENCE CODE LIST

A15

791430M-00002

NOTICE

FRAME NUMBER AND VEHICLE IDENTIFICATION NUMBER

1. FRAME NUMBER MX62-123456

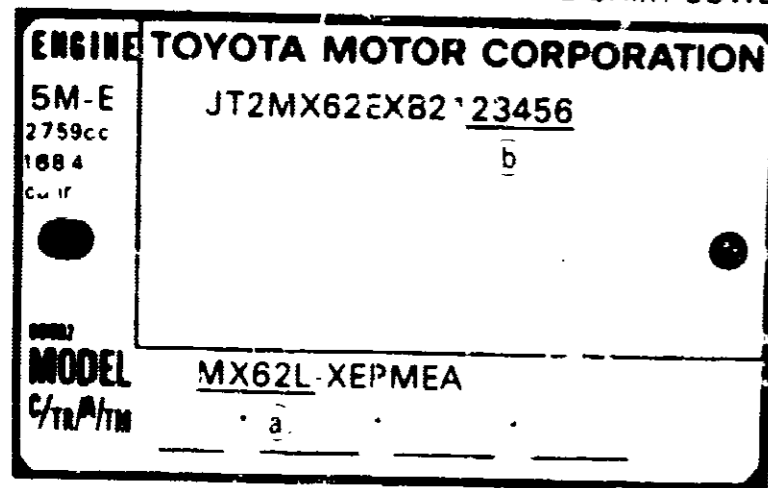
FRAME NUMBER IS GIVEN ON THE DASH COWL IN THE ENGINE ROOM. FUNCTION IN TOYOTA PARTS CATALOG IS LISTED IN THE REVISION REFERENCE CODE LIST TO IDENTIFY

REV. REF. CODE	ENGINE NO. OR FRAME NO.
1	MX62-123456

ENGINEERING CHANGE PERIOD AS BEFORE SO, IN LOCATING PARTS CATALOG, TAKE A LOOK AT FRAME NUMBER ON CORRESPONDING VEHICLE.

2. NAME PLATE

NAME PLATE IS ATTACHED TO THE DASH COWL IN THE ENGINE ROOM. MODEL COLUMN



INDICATES FULL MODEL CODE. SO, FOR MODEL INFORMATION, REFER TO THE NAME PLATE AS BEFORE. PROCEDURE TO DETERMINE FRAME NUMBER FROM NAME PLATE IS

$$a + b = \text{MX62-123456}$$

3. VEHICLE IDENTIFICATION NUMBER JT2MX62EXB2123456

VEHICLE IDENTIFICATION NUMBER IS GIVEN TO VIN PLATE ON LEFT HAND OF DASH BOARD, CERTIFICATION REGULATION PLATE ON LEFT DOOR PILLAR, AND NAME PLATE.

Starting Frame Number Per Each Assembly Line.
(Production from Aug. '87 up to Jan. '9.)

Assembly Line	Toyota Motor Motomachi Plant (A21 ~ A26)
Applicable Model	
FJ62-	074006 ~

LAND CRUISER

REV. REF. CODE	ENGINE NO. OR FRAME NO. OR TRANS. NO.	REV. REF. CODE	ENGINE NO. OR FRAME NO. OR TRANS. NO.	REV. REF. CODE	ENGINE NO. OR FRAME NO. OR TRANS. NO.
2	FJ62-096260				
3	FJ62-096261				



GUIDE TO CONTENTS

- | | | |
|---|----------------|--------------------------|
| 1. MODELS COVERED & CHARACTERISTICS | C 15, D 15 | (included in each fiche) |
| 2. MARK & ABBREVIATION | B 16 | (included in each fiche) |
| 3. INDEX | | |
| ILLUSTRATED INDEX | D 16 thru K 16 | (included in each fiche) |
| FIGURE NUMBER INDEX | L 16, M 16 | (included in each fiche) |
| 4. ILLUSTRATIONS & TEXT | From 1-A1 | (included in each fiche) |

The contents (illustrations & text) have been divided
into groups by function in the following sequence:

- Engine
- Fuel
- Power train - Chassis
- Body
- Electrical

5. APPENDICES

- | | | |
|---|----------------|------------------------------------|
| PART NAME  LOCATION LIST | A 12 thru H 13 | (included in the fiche No. 4 of 4) |
| PART NUMBER  LOCATION LIST | A 14 thru J 14 | (included in each fiche) |
| REVISION REFERENCE CODE LIST | A 15 | (included in each fiche) |
| PRODUCTION FRAME NUMBER
REFERENCE LIST | B 15 | (included in each fiche) |

Note : SST (Special Service Tools) are not included in this parts catalog.

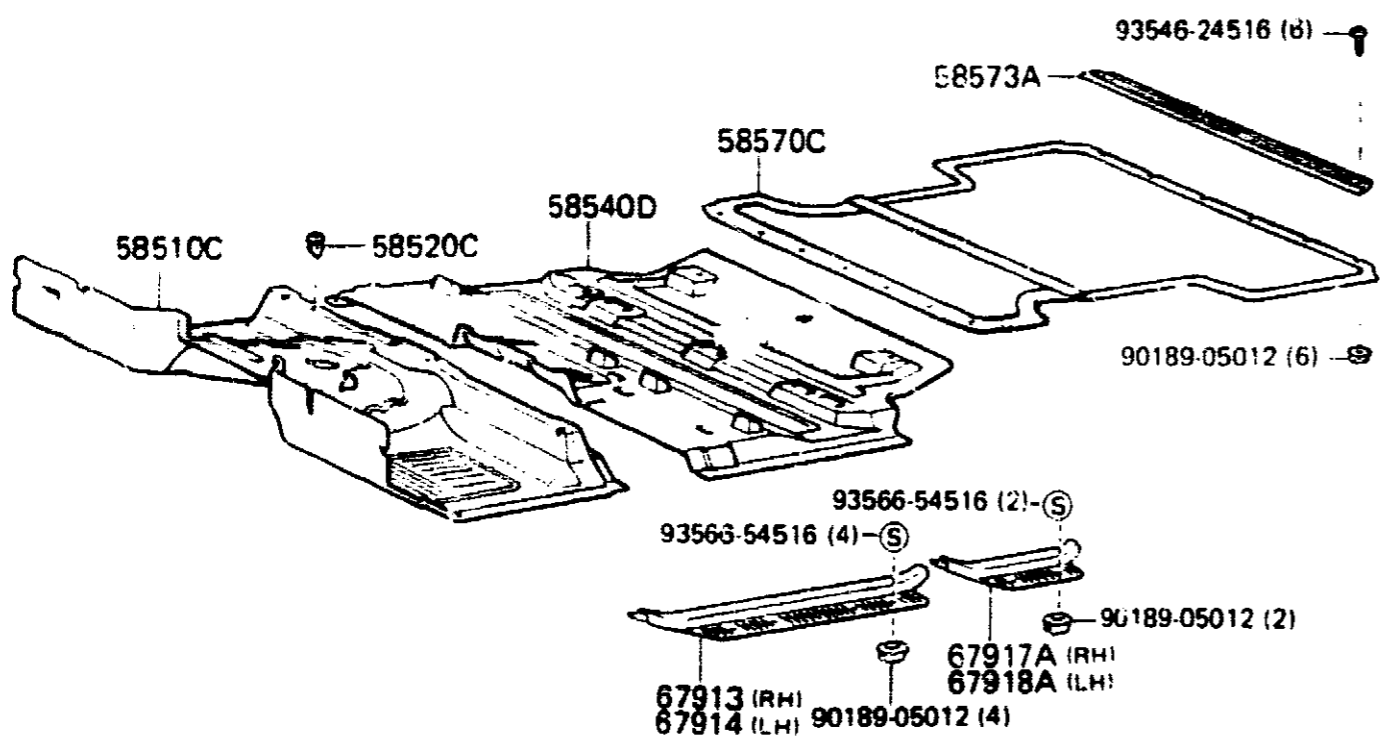
For related part number information can be noted in SST List, Service Bulletin
and Repair Manual.

FIG. 58-54 FLOOR MAT & SILENCER PAD

3B3

791430M-01264

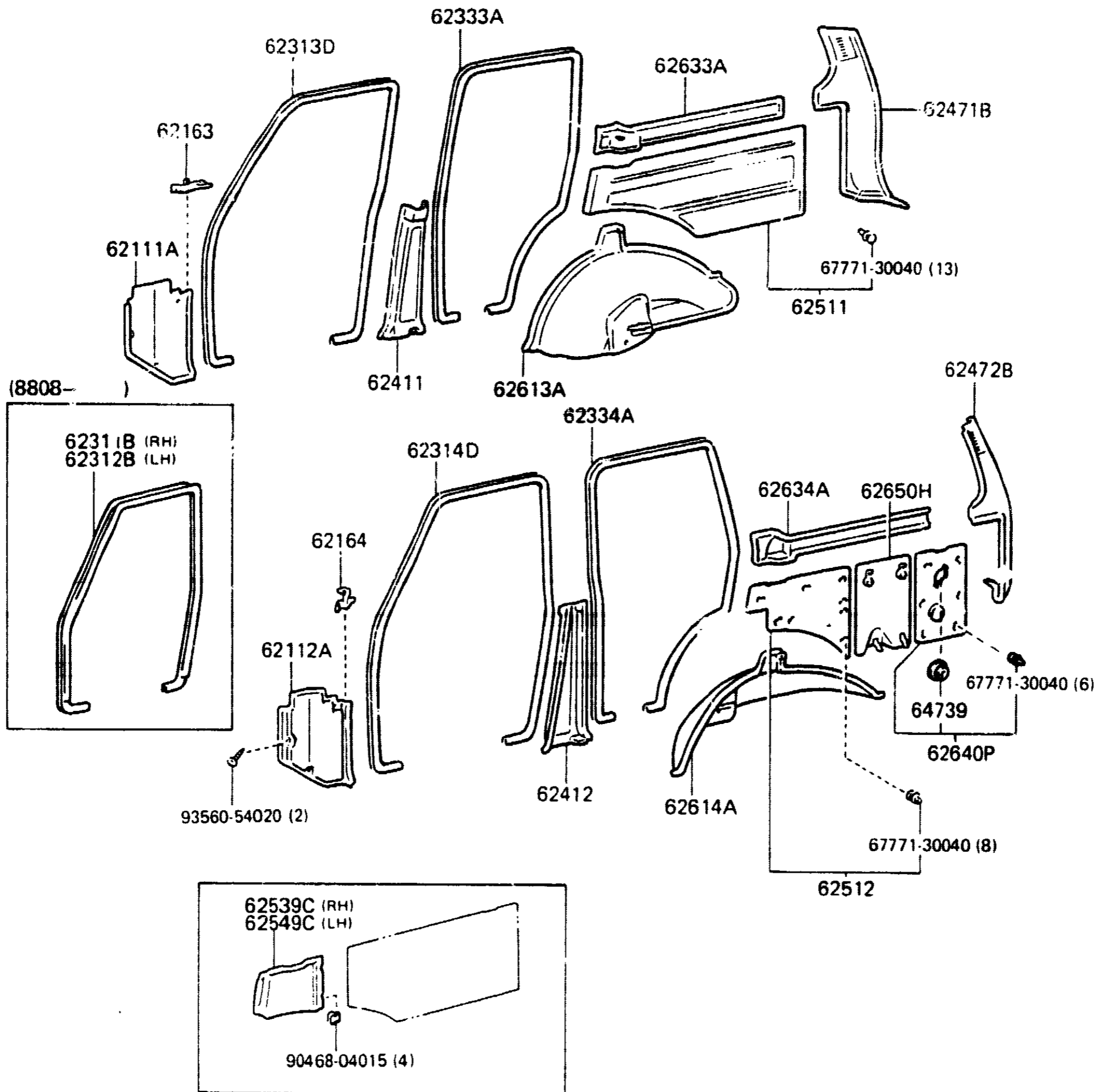
(8708-)



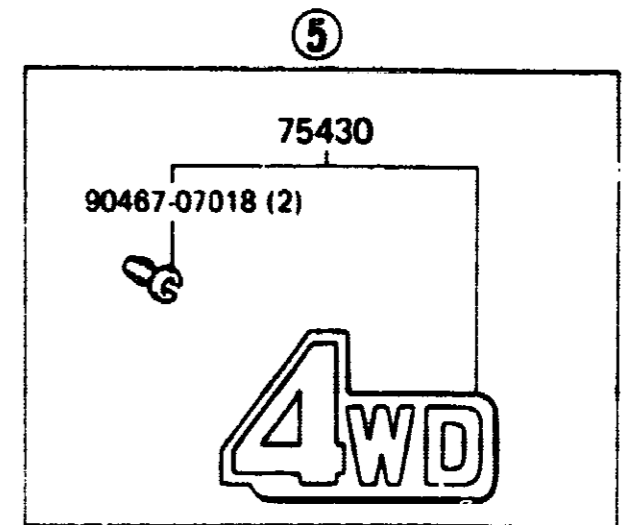
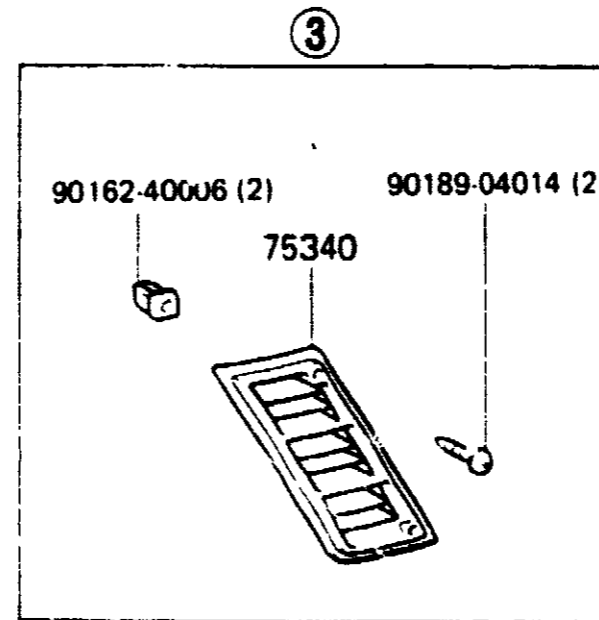
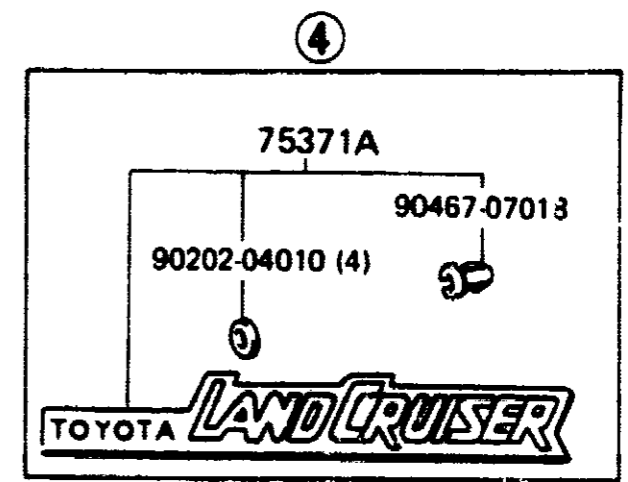
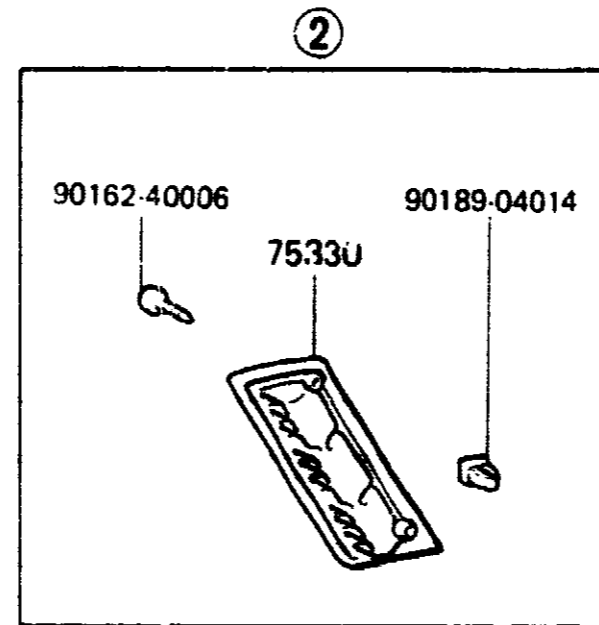
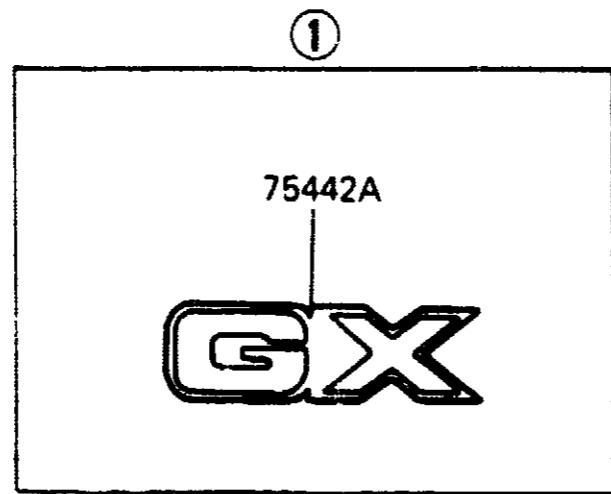
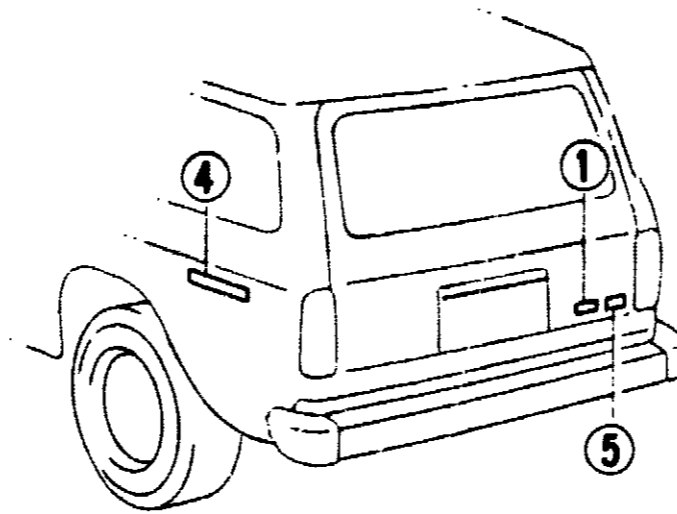
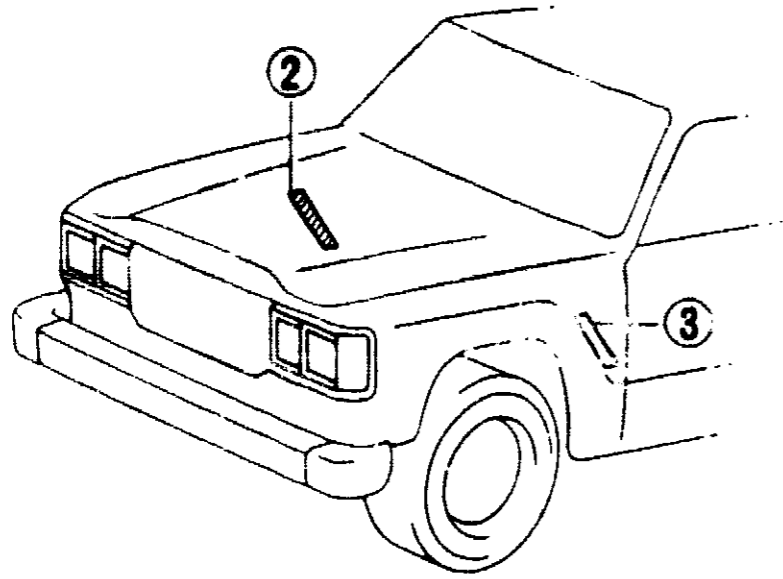
MB L913

PROD. DATE	MODELS	DESCRIPTION	R / P	PART NUMBER	Q T Y.	REV. REF	
						F	T
		1 58510C 1 CARPET ASSY, FRONT FLOOR, FRONT					
P 8708-9001	FJ62	SHADOW GRAY (TRIM1)		58510-90A85-03	1		
P 8708-9001	FJ62	SEPIA BROWN (TRIM4)		58510-90A85-06	1		
		1 58520C 1 CLIP (FOR FRONT FLOOR CARPET)					
P 8708-9001	FJ62	SHADOW GRAY (TRIM1)		90467-12035-03	2		
P 8708-9001	FJ62	SEPIA BROWN (TRIM4)		90467-12035-06	2		
		1 58540D 1 CARPET ASSY, FLOOR, REAR					
P 8708-9001	FJ62	SHADOW GRAY (TRIM1)		58540-90A83-03	1		
P 8708-9001	FJ62	SEPIA BROWN (TRIM4)		58540-90A83-06	1		
		1 58570C 1 CARPET ASSY, REAR FLOOR					
8708-8808	FJ62 . WGV	SHADOW GRAY (TRIM1)		58570-90A39-03	1		002
8708-8808	FJ62 . WGV	SEPIA BROWN (TRIM4)		58570-90A39-06	1		002
P 8708-9001	FJ62 . WGG	SHADOW GRAY (TRIM1)		58570-90A28-03	1		
P 8708-9001	FJ62 . WGG	SEPIA BROWN (TRIM4)		58570-90A28-06	1		
		1 58573A 1 PLATE, REAR FLOOR MAT SUPPORT					
8708-9001	FJ62			58573-90A00-	1		
		1 67913 1 PLATE, FRONT DOOR SCUFF, RH					
P 8708-9001	FJ62	GRAY (TRIM1)		67913-90A00-03	1		
P 8708-9001	FJ62	SEPIA BROWN (TRIM4)		67913-90A00-16	1		
		1 67914 1 PLATE, FRONT DOOR SCUFF, LH					
P 8708-9001	FJ62	GRAY (TRIM1)		67913-90A00-03	1		
P 8708-9001	FJ62	SEPIA BROWN (TRIM4)		67913-90A00-16	1		

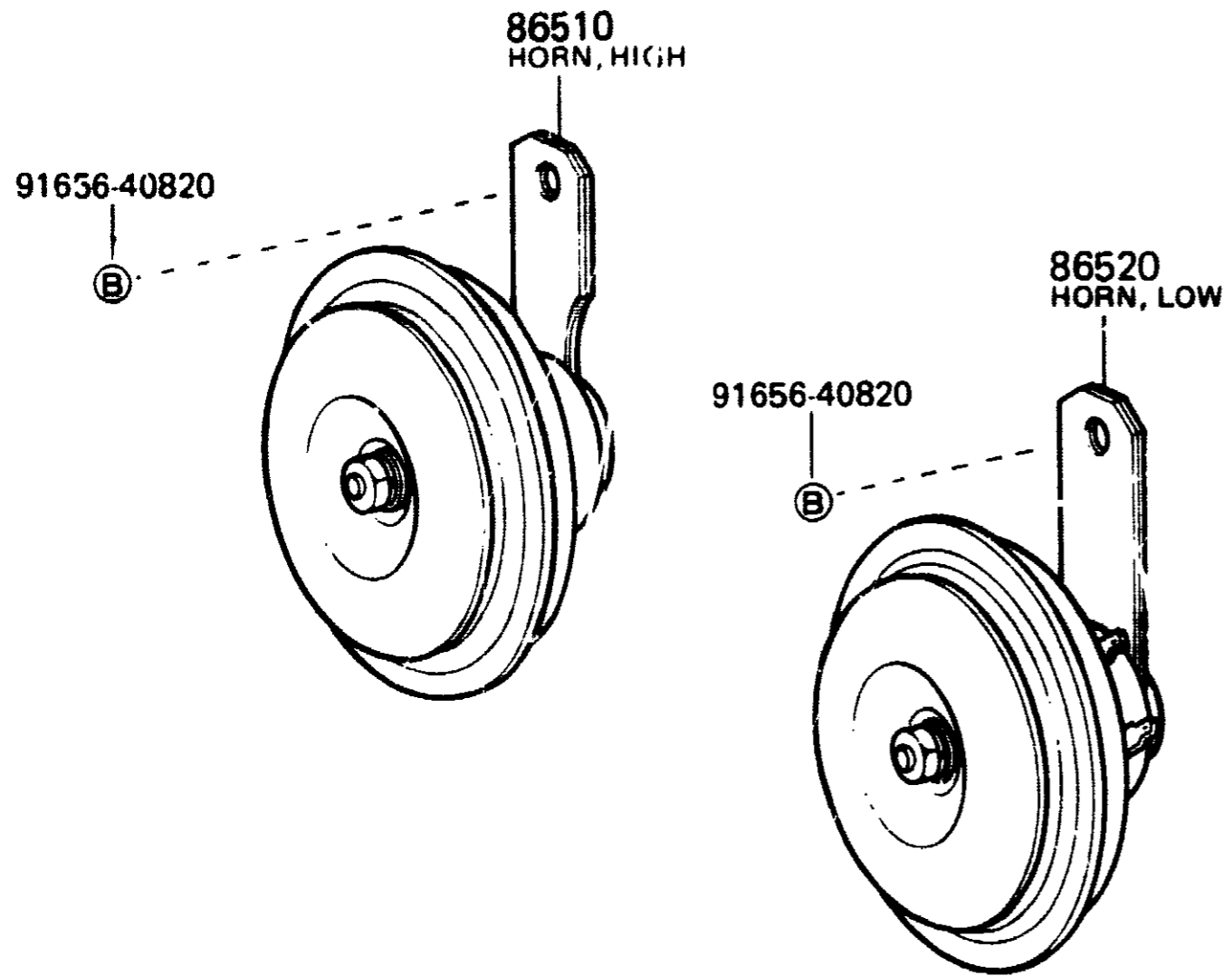
(8708-)



(8708-)



(8708-)

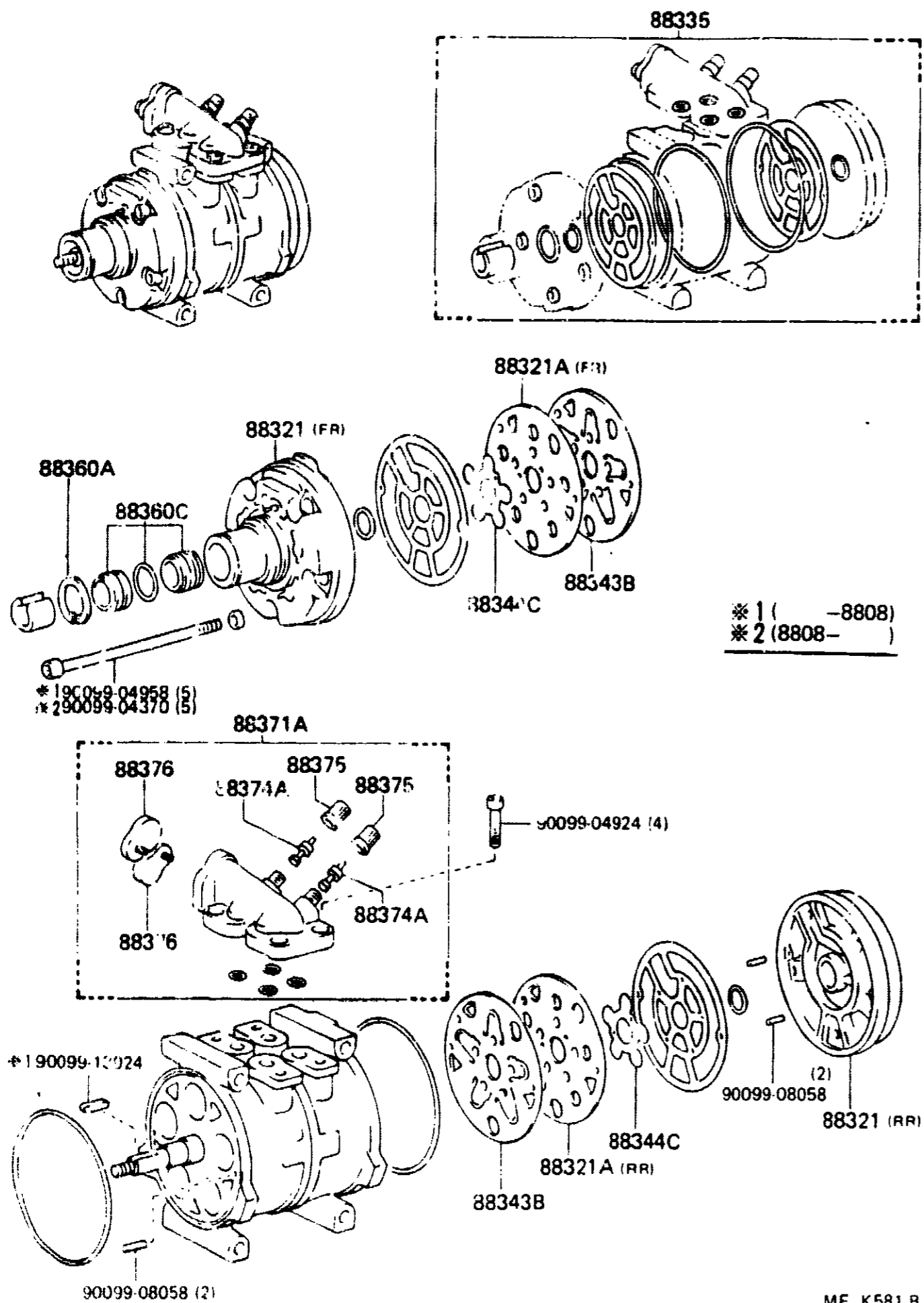


ME 9013-A

PROD. DATE	MODELS	DESCRIPTION	R / P	PART NUMBER	QTY.	REV. REF.	
						F	T
8708-9001	←-----→ 86510 HORN ASSY, HIGH PITCHED ←-----→ FJ62			86510-22120-	1		
8708-9001	←-----→ 86520 HORN ASSY, LOW PITCHED ←-----→ FJ62			86520-22120-	1		

(8708-

ILLUST. NO. 2 OF 2



PROD. DATE	MODELS	DESCRIPTION	R / P	PART NUMBER	Q T Y.	REV. REF	
						F	T
		1 88301 ROTOR SUB-ASSY, MAGNET CLUTCH					
8708-8808	FJ62			88412-22030-	1		
B 8808-9001	FJ62..WGG			88412-28030-	1		
		1 88301A BEARING (FOR MAGNET CLUTCH)					
8708-8808	FJ62			90099-10133-	1		
		1 88302 STATOR SUB-ASSY, MAGNET CLUTCH					
8708-8808	FJ62			88411-14050-	1		
D 8808-9001	FJ62..WGG			88411-60020-	1		
		1 88320 COMPRESSOR ASSY, COOLER					
8708-8808	FJ62			88320-60151-	1		
B 8808-9001	FJ62..WGG			88320-60280-	1		
		1 88321 HEAD, COOLER COMPRESSOR CYLINDER					
8708-8808	FJ62	FRONT		88321-14011-	1		
8708-8808	FJ62	REAR		88322-14011-	1		
B 8808-9001	FJ62..WGG	FRONT		88321-14021-	1		
B 8808-9001	FJ62..WGG	REAR		88322-14020-	1		
		1 88321A PLATE SUB-ASSY, VALVE					
8708-8808	FJ62	FRONT		88341-14010-	1		
8708-8808	FJ62	REAR		88342-14010-	1		
B 8808-9001	FJ62..WGG	FRONT		88341-14020-	1		
B 8808-9001	FJ62..WGG	REAR		88342-14020-	1		
		1 88330A WASHER (FOR MAGNET CLUTCH)					
8708-8808	FJ62			88335-12050-	1		

PART NUMBER	LOCATION	PART NUMBER	LOCATION	PART NUMBER	LOCATION	PART NUMBER	LOCATION	PART NUMBER	LOCATION	PART NUMBER	LOCATION
16363-61020-	1K2	B 17791-61070-	1A4	25870-61020-	1M4	33502-60040-	2A1	35222-60010-	2A3	35481-36012-	2I2
16381-61050-	1K2	17792-61120-	1A4	27060-61090-	1E4	33503-60020-	2A1	35223-36010-	2A3	35482-60020-	2I2
16384-61010-	1K2	17801-68020-	1F3	27212-39050-	1E4	33511-60060-	2A1	35226-36010-	2A3	35483-60010-	2I2
16400-61140-	1K2	17810-61010-	1M3	27310-72070-	1E4	33542-30110-01	2A1	-36011-	2A3	35484-60011-	2I2
16401-71010-	1L2	17841-68010-	1F3	27312-45010-	1E4	-30110-36	2A1	35231-36010-	2A3	35485-60010-	2J2
16405-61030-	1L2	17843-61011-	1F3	27330-72070-	1E4	33555-67040-	2A1	35303-60010-	2A3	35486-60010-	2J2
-90A00-	1L2	17881-61090-	1F3	27351-38051-	1E4	33623-30040-56	2A1	35308-36010-	2F1	35487-36010-	2J2
16417-24200-	1L2	17882-61070-	1F3	27359-61190-	1F4	33625-22020-	2B1	35313-36010-	2F1	35488-60010-	2F3
16418-24200-	1L2	17883-61020-	1G3	27362-72070-	1F4	33631-60020-	2B1	35321-36010-	2F1	35489-36010-	2G3
16480-90A00-	1L2	A 18450-61010-	1E3	27371-31011-	1F4	33711-60040-	2B1	-36020-	2F1	35491-36010-	2G3
16571-61110-	1L2	-61040-	1E3	27372-31011-	1F4	33723-22010-	2B1	35322-36010-	2F1	35492-36010-	2G3
16572-61020-	1L2	18495-38020-	1E3	27410-72070-	1F4	33789-36010-	2B6	-36020-	2F1	35495-36010-	2F1
16573-61040-	1L2	P 19000-61350-	1C1	27411-61210-	1F4	34101-60010-	2K1	35339-36010-	2A3	35497-36010-	2G3
16577-61130-	1L2	N -61351-	1C1	27412-45012-	1F4	34421-36010-	2M2	35394-30011-	2I1	35498-36010-	2G3
16582-61010-	1L2	19100-61240-	1D4	27441-45050-	1F4	34601-36010-	2K1	35395-36010-	2I2	35501-36010-	2J3
16583-61010-	1L2	19101-61240-	1D4	27700-63030-	1F4	34602-36010-	2K1	35396-36010-	2A3	35505-36010-	2J3
16584-61010-	1L2	19102-61240-	1D4	27790-13010-	3H9	34613-36010-	2L1	35405-36010-	2A3	-36020-	2J3
16585-61010-	1M2	19114-61040-	1D4	28011-26042-	1G4	34710-36010-	2L1	35408-36010-	2A3	35519-60030-	3M6
16586-61010-	1M2	19115-50010-	1D4	28100-60070-	1G4	34713-36010-	2L1	35409-36010-	2B3	35520-60050-	2J3
16611-61020-	1M2	19127-61240-	1D4	28110-60070-	1G4	34731-36010-	2L1	35415-36010-	2B3	35556-60010-	2J3
16630-61020-	1K1	19195-61240-	1D4	28120-26071-	1G4	34732-36010-	2L1	35416-36010-	2B3	35557-36010-	2J3
16711-61240-	1M2	19242-61240-	1D4	28130-34060-	1G4	34737-36010-	2L1	35417-36010-	2B3	35560-36011-	2G3
-61241-	1M2	19519-58030-	1B4	28140-26070-	1G4	34738-36010-	2L1	35418-36010-	2B3	35561-60010-	2J3
16793-61011-	1A4	22701-61011-	1J4	28150-34080-	1G4	35000-60162-	2D1	35419-36010-	2B3	35569-60040-	2B1
17109-61010-	1C3	22210-61010-	1J4	28160-26070-	1G4	-60163-	2D1	35420-60030-	2B3	35572-60020-	2J3
17111-61040-	1C3	22216-74010-	1J4	28165-26040-	1H4	35013-60011-	2G1	35422-22010-	2B3	35589-36010-	2G3
17118-61030-	1C3	22233-61010-	1J4	28228-26040-	1H4	35015-60010-	2G1	-22010-	2B3	35595-36010-	2J3
17123-61010-	1C3	22250-61010-	1G3	28229-26040-	1H4	-60011-	2G1	35423-36010-	2B3	35599-36010-	2H3
17125-61010-	1C3	22270-61010-	1J4	28253-45020-	1G4	35017-60010-	2G1	35424-36010-	2B3	35602-36010-	2A2
17139-61010-	1C3	22271-61010-	1K4	28254-45020-	1H4	35019-60010-	2G1	35425-22010-	2C3	35606-36010-	2A2
17141-61080-	1C3	22275-43010-	1G3	28800-61030-	3K8	35035-36010-	2E1	-36010-	2C3	35608-36010-	2D2
17142-61050-	1C3	22278-43011-	1K4	28897-38010-	3K8	35068-36010-	2F2	35427-36010-	2F1		2K1
17167-61070-	1C3	23091-61010-	K4	28898-26010-	3K8	35073-60010-	2G2	35428-60020-	2C3	35615-36010-	2A2
17168-61030-	1C3	23206-61010-	1K4	31478-30010-	2H8	35103-60011-	2G1	35429-36010-	2C3		2B2
17169-61040-	1C3	23207-74010-	1K4		2K8	-60012-	2G1	35430-60090-	2C3	35617-36010-	2F1
17172-61060-	1C3	23209-61010-	1K4	P 32000-60030-	2E1	35104-60010-	2G1	35432-60030-	2C3	-36020-	2E2
17176-61010-	1C3	23217-35040-	1K4	E -60031-	2E1	-60011-	2G1	-60040-	2B1		2M1
17301-61010-	1I3	-35081-	1K4	-60040-	2E1	35106-60041-	2H1	35433-36010-	2C3	35621-36010-	2D2
17303-61020-	1M3	P 23220-16083-	1K4	P 32101-60010-	2E1	-60043-	2H1	35434-36010-	2C3		2L1
17306-61030-	1J3	-16190-	1K4	B -60011-	2E1	35111-60010-	2H1	35435-36011-	2C3	35623-36010-	2F7
17314-61040-	1H3	23229-16010-	1K4	P 32116-60010-	2E1	35112-36010-	2M2	35436-36011-	2C3	35631-36010-	2A2
17317-61020-	1K2	23232-28010-	1K4	B -60011-	2E1	35113-36010-	2M2	35437-36011-	2C3	35632-36010-	2D2
17318-61060-	1H3	23239-16010-	1K4	P 32117-60010-	2E1	35114-36010-	2M2	35438-60020-	2C3		2M1
17341-61030-	1I3	23249-74150-	1K4	B -60011-	2E1	35115-36010-	2M2	35440-60011-	2C3	-36020-	2F2
17342-61040-	1I3	23260-69025-	1K4	32904-60012-	2K3	35116-60010-	2H1	35444-36010-	2C3	35633-36010-	2D2
17343-61030-	1I3	23260-61010-	1K4	32905-60012-	2K3	35117-60010-	2H1	35445-36010-	2D3		2M1
17344-61020-	1I3	23291-73010-	1L4	32906-60012-	2K3	35118-60010-	2H1	35451-36010-	2D3	-36020-	2B2
17353-61010-	1J3	23293-74010-	1L4	32927-36010-	2K3	35136-60010-	2H1	35452-36010-	2D3		2M1
17401-61210-	1E3	23300-69025-	1L4	32924-60011-	2K3	35138-60010-	2H1	35454-36010-	2D3	-36030-	2F2
17402-61010-	1E3	23801-61030-	1L4	32925-60030-	2K3	35143-36010-	2H1	35455-36010-	2D3	35634-36010-	2B2
17403-61110-	1E3	23802-61040-	1L4	32926-30020-	2L3	35144-36010-	2H1	35456-36010-	2E3		2M1
17405-61240-	1E3	23803-61010-	1L4	32928-60011-	2L3	35146-36010-	2I2	35458-36010-	2E3	-36020-	2B2
17502-61021-	1E3	23807-61010-	1L4	32942-60010-	2L3	35167-60011-	2H1	35459-36010-	2E3	-36040-	2B2
17567-61030-	1E3	25611-61050-	1M4	-60030-	2L3	-60012-	2H1	35462-36010-	2E3	-36050-	2B2
17571-61160-	1E3	25620-61110-	1M4	32943-60010-	2L3	35168-36010-	2I1	35463-36010-	2E3	35651-36010-	2B2
17572-61051-	1E3	25627-61010-	1M4	33309-60041-	2A4	35182-36010-	2H1	35464-36011-	2E3	35654-36010-	2B2
17573-61051-	1E3	25631-61040-	1M4	-60070-	2A4	35211-36010-	2M2	35466-60010-	2E3	35671-36010-	2F2
17574-61050-	1E3	25691-61020-	1A5	33325-60010-	2A4	-36011-	2M2	35467-36010-	2F3	35672-36010-	2B2
-61071-	1E3	25695-61010-	1M4	-60021-	2A4	35212-36010-	2A3	35468-36011-	2F3	35675-36010-	2B2
17610-61040-	1H3	25702-61010-	1M3	A 33403-69195-	2J1	35213-36010-	2A3	35472-36011-	2F3		2L1
17692-61020-	1M3	25710-61030-	1J3	33404-30040-	2J1	35215-36010-	2A3	35476-36010-	2F3	-36020-	2B2
17700-61230-	1F3	25716-61020-	1J3	33481-60050-	2D4	35216-36010-	2A3	35477-30030-	2F3	-36030-	2B2
17705-61130-	1F3	25820-13020-	1M3	-60051-	2D4	35219-60010-	2A3	35479-36010-	2F3	-36040-	2B2
P 17791-61023-	1A4	25860-61010-	1M3	33485-30020-	2J1	-60011-	2A3	35481-36011-	2I2	35676-36010-	2D2

B15

LAND CRUISER Station Wagon U. S. A.

PRODUCTION FRAME NUMBER REFERENCE LIST

Applica- ble Model	Production Date	8701	8702	8703	8704	8705	8706	8707	8708	8709	8710	8711	8712
	Assembly Line												
FJ62	TMC Honsya Plant								074039	075376	0077221	0079169	0081050

Applica- ble Model	Production Date	8801	8802	8803	8804	8805	8806	8807	8808	8809	8810	8811	8812
	Assembly Line												
FJ62	TMC Honsya Plant	0083764	0086005	0088379	0090616	0092239	0093499	0094861	0096292	0097372	0098711	0100682	0102775

Applica- ble Model	Production Date	8901	8902	8903	8904	8905	8906	8907	8908	8909	8910	8911	8912
	Assembly Line												
FJ62	TMC Honsya Plant	0104368	0105696	0107184	0109036	0110721	0111941	0113601	0115125	0116480	0117954	0119300	0120955

MARK & ABBREVIATION LIST

B16

(1) Abbreviations Under Heading MODELS in Text

Heading	Mark	Definition
MODELS	--	Among
	.	And
	+	And (Plus)
	-	Excluded (minus)
	#	All series

(2) Abbreviations Under Heading R/P and QTY" in Text

Heading	Mark	Definition
R/P	=	Old parts number (Old)
	X	Modified old parts number which has been substituted by a multiple of parts and/or if substituted parts are specified by applicable models or other determining specifications, refer to SUBSTITUTE SUPPLY PARTS LIST (S.S.P.L.) for detailed information. (Old)
	∩	New main part number of set substitution (New)
	.	Part number to be attached to main part (New)
QTY	X	Number of previously supplied but currently non-supplied parts
	33	Required quantity
	X	Required quantity
DESCRIPTION	Y	More than 100 units
	X X X	Number of old type parts the supply of which will be discontinued after the lapse of a certain period
	(TRIM ●)	Trim code whose third digit is ●

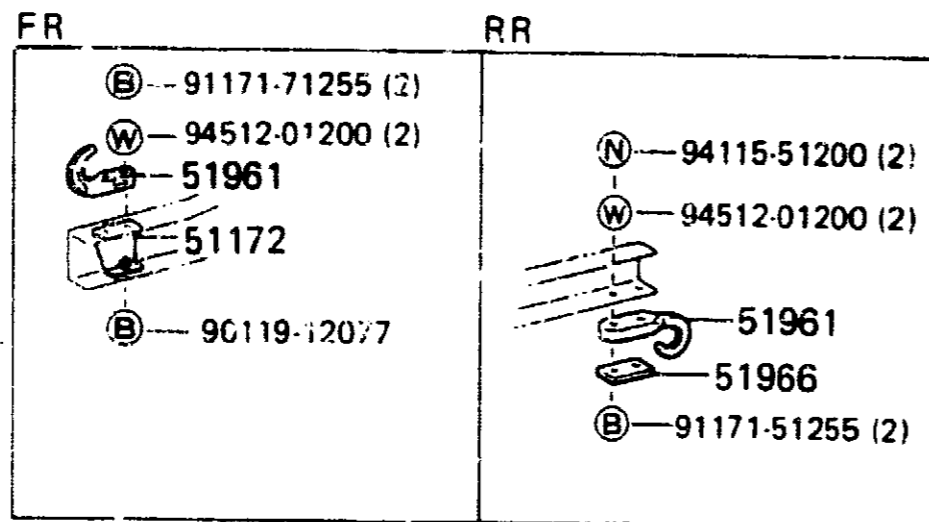
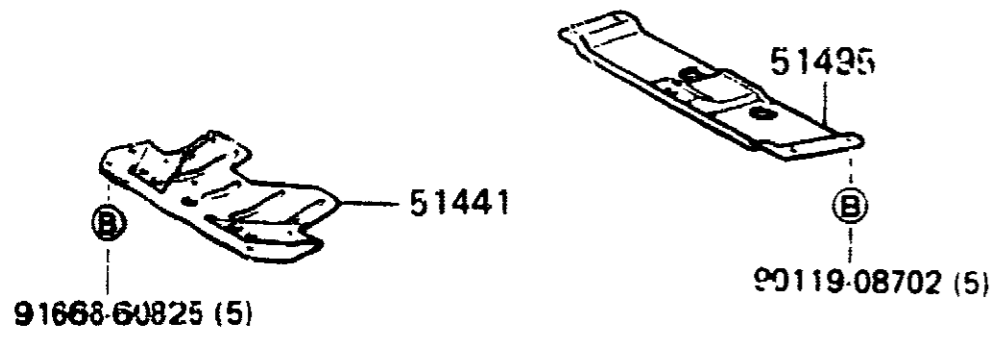
(3) CHANGES TO TEXT & APPENDICES

Certain codes are used to indicate changes to the text and/or appendix.

These codes appear in the marginal area of the affected page as follows:

CODE	LOCATION	EXPLANATION
C	Text	Changes of Parts Number, Model and Production Data.
B		Data with a changed part number
A		Data with a changed application model
P		Data with a changed year system (beginning-end)
N	Text & Appendix	Newly available Toyota Part Number.
S	Text & Appendix	Part application expanded to include other vehicle model(s)

(8708-)



MB L852-B

PROD. DATE	MODELS	DESCRIPTION	R / P	PART NUMBER	Q T Y.	REV. REF	
						F	T
8708-9001	FJ62	REINFORCEMENT, SIDE RAIL FRONT HOOK		51172-60010-	1		
8708-9001	FJ62	COVER, ENGINE UNDER, NO. 1		51441-60061-	1		
8708-9001	FJ62	COVER, TRANSMISSION UNDER		51495-60230-	1		
8708-9001	FJ62	HOOK, NO. 1	RR	51961-36040-	1		
8708-9001	FJ62	HOOK, NO. 1	FR	51961-60040-	1		
8708-9001	FJ62	RETAINER, REAR HOOK		51966-60010-	1		

PROD. DATE	MODELS	DESCRIPTION	R/P	PART NUMBER	QTY.	REV. REF	
						F	T
	1 55301	PANEL SUB-ASSY, INSTRUMENT					
P 8708-9001	FJ62	SHADOW GRAY (TRIM1)		55301-90A76-03	1		
P 8708-9001	FJ62	SEPIA BROWN (TRIM4)		55301-90A76-05	1		
	1 55315A	SPACER, INSTRUMENT PANEL, NO.1					
8708-9001	FJ62			55315-90A00-	1		
	1 55341	BRACE, INSTRUMENT PANEL, NO.1					
8708-9001	FJ62			55341-90A02-	1		
	1 55342A	BRACE, INSTRUMENT PANEL TO COWL, NO.2					
8708-9001	FJ62			55342-90A01-	1		
	1 55344A	BRACE, INSTRUMENT PANEL TO COWL, NO.3					
8708-9001	FJ62			55344-90A01-	1		
	1 55351A	BRACE, INSTRUMENT PANEL TO FLOOR					
8708-9001	FJ62			55351-90A01-	1		
	1 55357A	PROTECTOR, EDGE, NO.1					
8708-9001	FJ62			55357-90A00-	1		
	1 55366A	BRACKET, RADIO MOUNTING, NO.1					
8708-9001	FJ62			55366-90A02-	1		
	1 55369A	BRACKET, RADIO MOUNTING, NO.2					
8708-9001	FJ62			55368-90A03-	1		
	1 55374B	BRACKET, INSTRUMENT PANEL					
8708-9001	FJ62			55374-90A01-	1		

PROD. DATE	MODELS	DESCRIPTION	R/P	PART NUMBER	QTY.	REV. REF	
						F	T
	1 55401E	PAD SUB-ASSY, INSTRUMENT PANEL SAFETY					
8708-8710	FJ62..USA	SHADOW GRAY (TRIM1)		55401-90A05-03	1		
8708-8710	FJ62..USA	SEPIA BROWN (TRIM4)		55401-90A05-05	1		
8708-8710	FJ62	W (SIDE DEFROSTER), SHADOW GRAY (TRIM1)	#	55401-90A07-03 (55401-90A05-03)	1		
8708-8710	FJ62	W (SIDE DEFROSTER), SEPIA BROWN (TRIM4)	#	55401-90A07-05 (55401-90A05-05)	1		
8710-9001	FJ62	SHADOW GRAY (TRIM1)		55401-90A05-03	1		
8710-9001	FJ62	SEPIA BROWN (TRIM4)		55401-90A05-05	1		
	1 55410C	PANEL ASSY, INSTRUMENT CLUSTER FINISH					
8708-9001	FJ62			55410-90G28-	1		
	1 55412C	PANEL, INSTRUMENT CLUSTER FINISH, CENTER NO.1					
P 8708-9001	FJ62	SHADOW GRAY (TRIM1)		55412-90A10-03	1		
P 8708-9001	FJ62	SEPIA BROWN (TRIM4)		55412-90A10-05	1		
	1 55416B	BRACKET, INSTRUMENT PAD, NO.2					
8708-9001	FJ62			55416-90A01-	1		
	1 55446A	BASE, SWITCH HOLE, NO.1					
P 8708-9001	FJ62	SEPIA BROWN (TRIM4)		55446-90A02-06	1		
P 8708-9001	FJ62	SHADOW GRAY (TRIM1)		55446-90A02-13	1		
	1 55458A	CAP, INSTRUMENT PANEL SAFETY PAD					
8708-9001	FJ62			55458-90A00-	2		
	1 55477A	BEZEL, CIGAR LIGHTER HOLE					
8708-9001	FJ62			55477-87001-	1		

PROD. DATE	MODELS	DESCRIPTION	R / P	PART NUMBER	Q T Y.	REV. REF	
						F	T
	↔ 62111A ↔	TRIM SUB-ASSY, COWL SIDE, RH					
P 8708-9001	FJ62	GRAY(TRIM1)		62101-90A00-03	1		
P 8708-9001	FJ62	SEPIA BROWN(TRIM4)		62101-90A00-16	1		
	↔ 62112A ↔	TRIM SUB-ASSY, COWL SIDE, LH					
P 8708-9001	FJ62	GRAY(TRIM1)		62102-90A00-03	1		
P 8708-9001	FJ62	SEPIA BROWN(TRIM4)		62102-90A00-16	1		
	↔ 62163 ↔	COVER, COWL SIDE INSTRUMENT PANEL BRACKET, RH					
P 8708-9001	FJ62	GRAY(TRIM1)		62163-90A00-03	1		
P 8708-9001	FJ62	SEPIA BROWN(TRIM4)		62163-90A00-16	1		
	↔ 62164 ↔	COVER, COWL SIDE INSTRUMENT PANEL BRACKET, LH					
P 8708-9001	FJ62	GRAY(TRIM1)		62164-90A00-03	1		
P 8708-9001	FJ62	SEPIA BROWN(TRIM4)		62164-90A00-16	1		
	↔ 62311B ↔	WEATHERSTRIP, FRONT DOOR OPENING TRIM, RH					
8808-8810	FJ62..WGG	SHADOW GRAY(TRIM1)		# 62311-90A00-03 (62311-90A01-03)	1	003	
8808-8810	FJ62..WGG	SEPIA BROWN(TRIM4)		# 62311-90A00-06 (62311-90A01-06)	1	003	
P 8810-9001	FJ62..WGG	SHADOW GRAY(TRIM1)		62311-90A01-03	1		
P 8810-9001	FJ62..WGG	SEPIA BROWN(TRIM4)		62311-90A01-06	1		
	↔ 62312B ↔	WEATHERSTRIP, FRONT DOOR OPENING TRIM, LH					
8808-8810	FJ62..WGG	SHADOW GRAY(TRIM1)		# 62312-90A00-03 (62312-90A01-03)	1	003	
8808-8810	FJ62..WGG	SEPIA BROWN(TRIM4)		# 62312-90A00-06 (62312-90A01-06)	1	003	
P 8810-9001	FJ62..WGG	SHADOW GRAY(TRIM1)		62312-90A01-03	1		
P 8810-9001	FJ62..WGG	SEPIA BROWN(TRIM4)		62312-90A01-06	1		

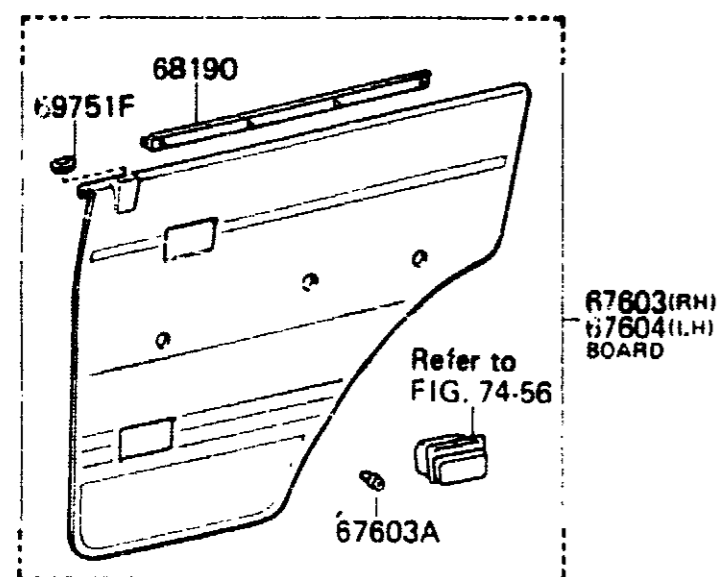
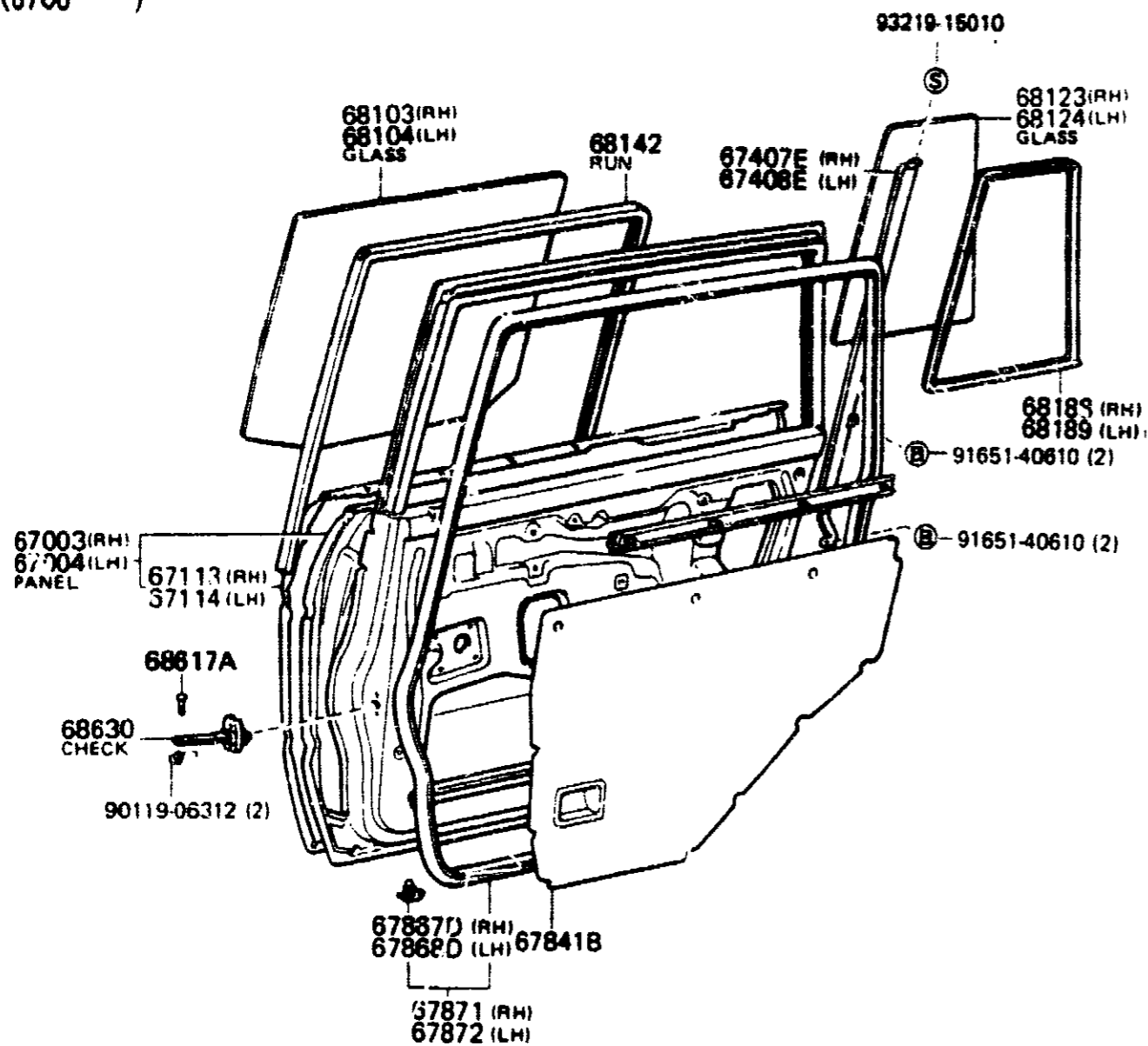
PROD. DATE	MODELS	DESCRIPTION	R / P	PART NUMBER	Q T Y.	REV. REF	
						F	T
	↔ 62313D ↔	TRIM, FRONT DOOR OPENING, RH					
8708-8808	FJ62	GRAY(TRIM1)		62313-90A00-03	1		
8708-8808	FJ62	SEPIA BROWN(TRIM4)		62313-90A00-16	1		
	↔ 62314D ↔	TRIM, FRONT DOOR OPENING, LH					
8708-8808	FJ62	GRAY(TRIM1)		62313-90A00-03	1		
8708-8808	FJ62	SEPIA BROWN(TRIM4)		62313-90A00-16	1		
	↔ 62333A ↔	TRIM, REAR DOOR OPENING, RH					
P 8708-9001	FJ62	GRAY(TRIM1)		62333-90A00-03	1		
P 8708-9001	FJ62	SEPIA BROWN(TRIM4)		62333-90A00-16	1		
	↔ 62334A ↔	TRIM, REAR DOOR OPENING, LH					
P 8708-9001	FJ62	GRAY(TRIM1)		62333-90A00-03	1		
P 8708-9001	FJ62	SEPIA BROWN(TRIM4)		62333-90A00-16	1		
	↔ 62411 ↔	GARNISH, CENTER PILLAR, RH					
P 8708-9001	FJ62	GRAY(TRIM1)		62411-90A01-03	1		
P 8708-9001	FJ62	SEPIA BROWN(TRIM4)		62411-90A01-16	1		
	↔ 62412 ↔	GARNISH, CENTER PILLAR, LH					
P 8708-9001	FJ62	GRAY(TRIM1)		62412-90A01-03	1		
P 8708-9001	FJ62	SEPIA BROWN(TRIM4)		62412-90A01-16	1		
	↔ 62471B ↔	COVER, REAR PILLAR, RH					
P 8708-9001	FJ62	IVORY(TRIM1, 4)		62471-90A00-18	1		
	↔ 62472B ↔	COVER, REAR PILLAR, LH					
P 8708-9001	FJ62	IVORY(TRIM1, 4)		62472-90A00-18	1		

FIG. 67-55 REAR DOOR PANEL & GLASS

3C5

791430M-01291

(8708-)



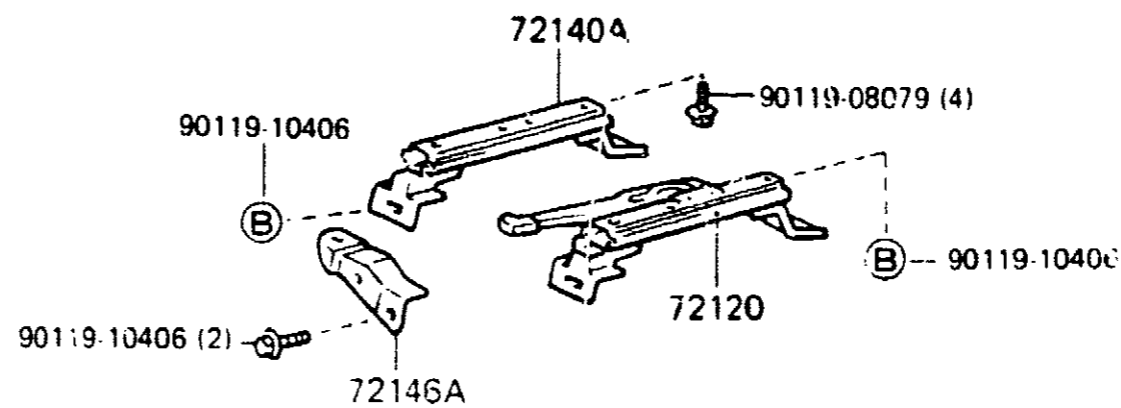
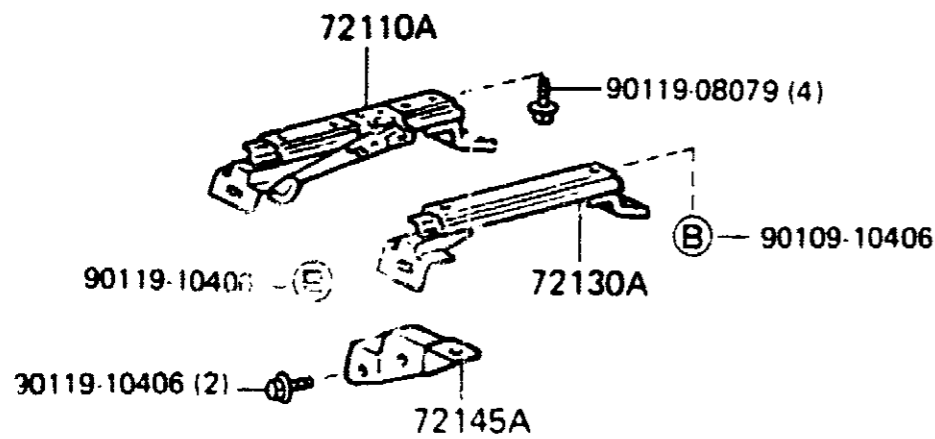
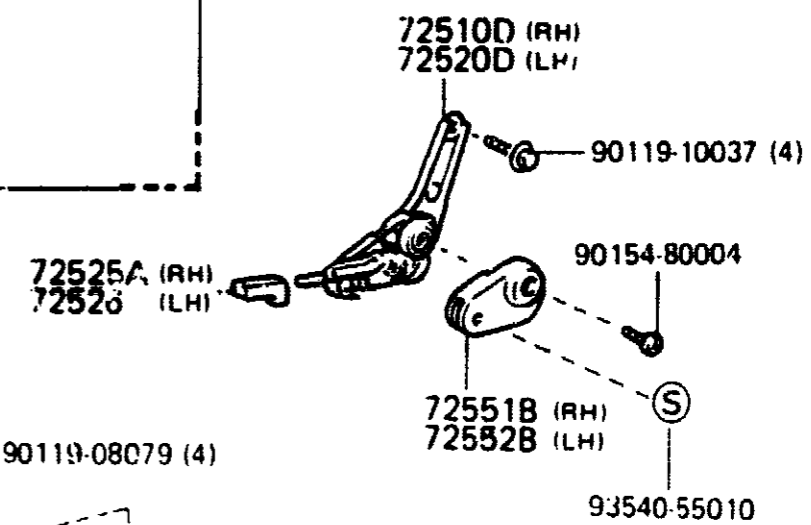
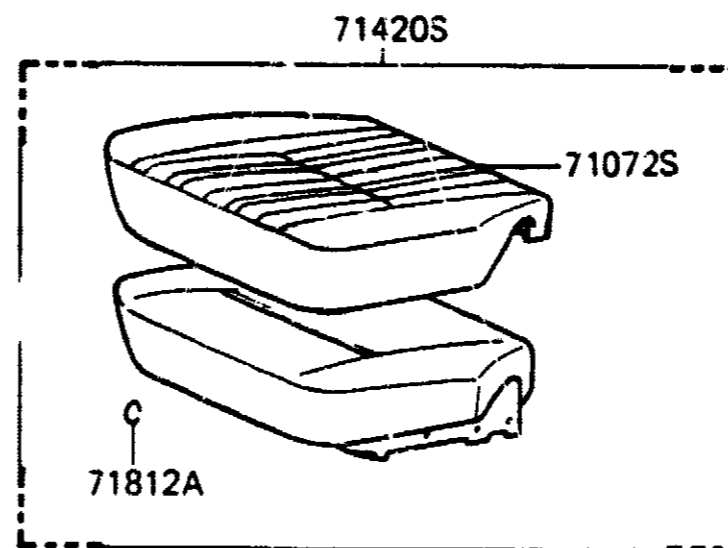
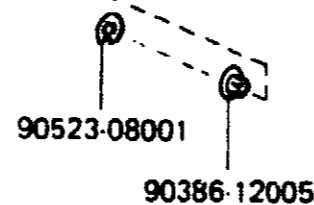
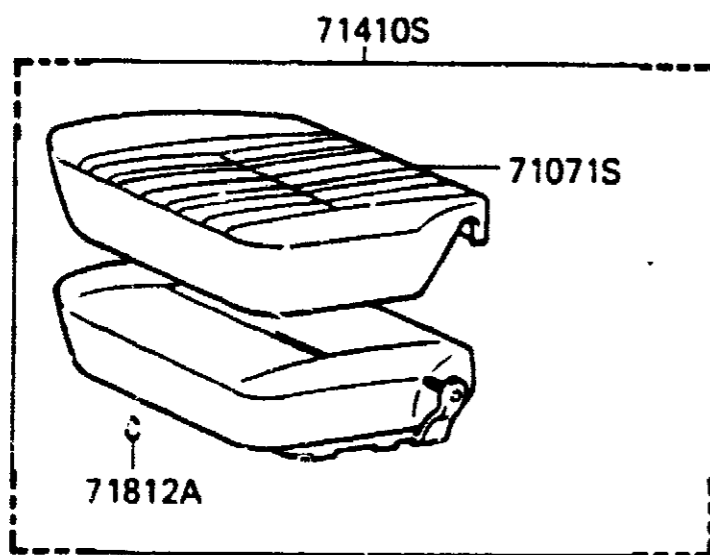
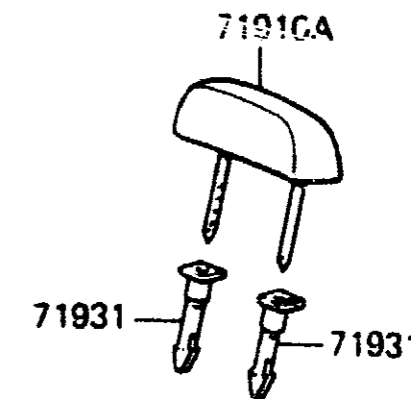
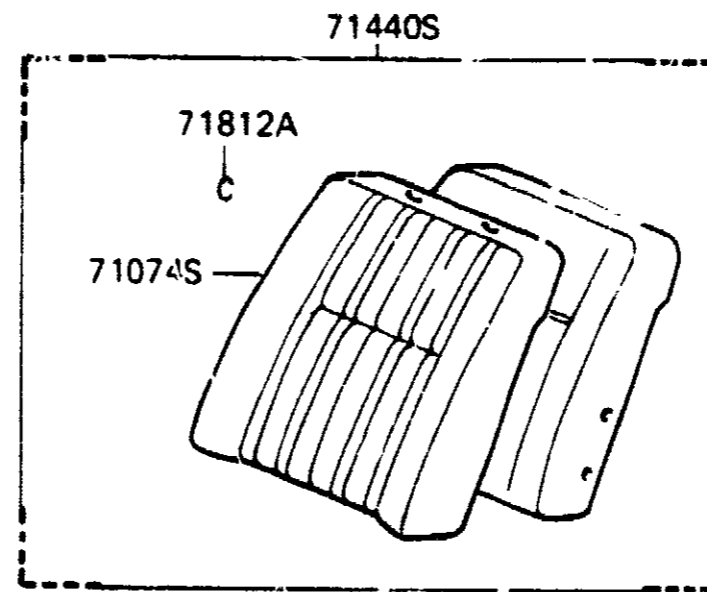
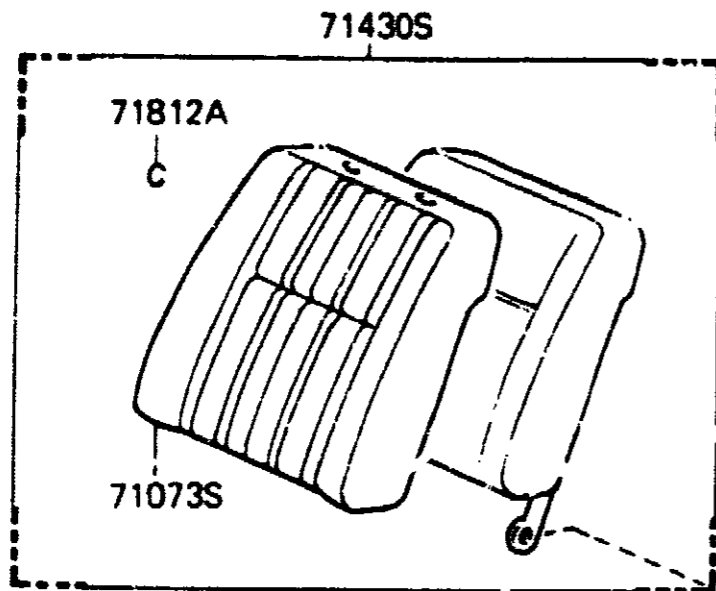
MB M007-A

PROD. DATE	MODELS	DESCRIPTION	R / P	PART NUMBER	Q T Y.	REV. REF	
						F	T
		67003 PANEL SUB-ASSY, REAR DOOR, RH					
8708-9001	FJ62			67003-90A15-	1		
8708-9001	FJ62	W(POWER WINDOW)		67003-90A17-	1		
		67004 PANEL SUB-ASSY, REAR DOOR, LH					
8706-9001	FJ62			67004-90A15-	1		
8708-9001	FJ62	W(POWER WINDOW)		67004-90A17-	1		
		67113 PANEL, REAR DOOR, OUTER RH					
8708-9001	FJ62			67113-90A05-	1		
		67114 PANEL, REAR DOOR, OUTER LH					
8708-9001	FJ62			67114-90A05-	1		
		67407E BAR SUB-ASSY, REAR DOOR WINDOW DIVISION, RH					
8708-9001	FJ62			67407-90A00-	1		
		67408E BAR SUB-ASSY, REAR DOOR WINDOW DIVISION, LH					
8708-9001	FJ62			67408-90A00-	1		
		67603 BOARD SUB-ASSY, REAR DOOR TRIM, RH					
8708-8808	FJ62..CND	W(POWER WINDOW), SHADOW GRAY(TRIM1)		67630-90A25-03	1		
8708-8808	FJ62..USA	W(POWER WINDOW), SHADOW GRAY(TRIM1)		/	1		
8708-8808	FJ62..CND	W(POWER WINDOW), SEPIA BROWN(TRIM4)		67630-90A25-06	1		
8708-8808	FJ62..USA	W(POWER WINDOW), SEPIA BROWN(TRIM4)		/	1		
8708-8808	FJ62	SHADOW GRAY(TRIM1)		67630-90A28-03	1		
8708-8808	FJ62	SEPIA BROWN(TRIM4)		67630-90A28-06	1		

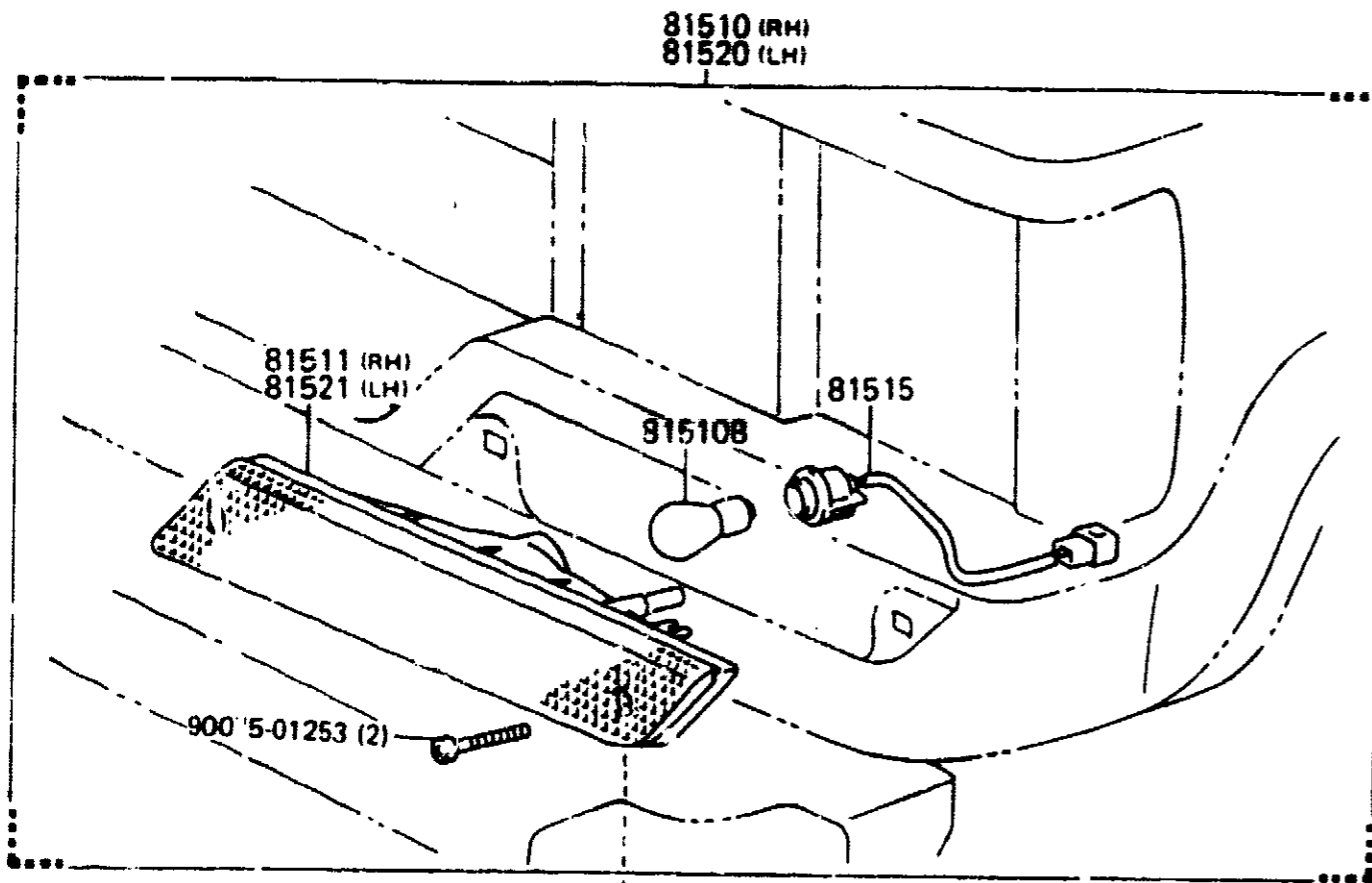
(8708-)

ILLUST.NO. 1 OF 2

Front (Separate)



(8708-)

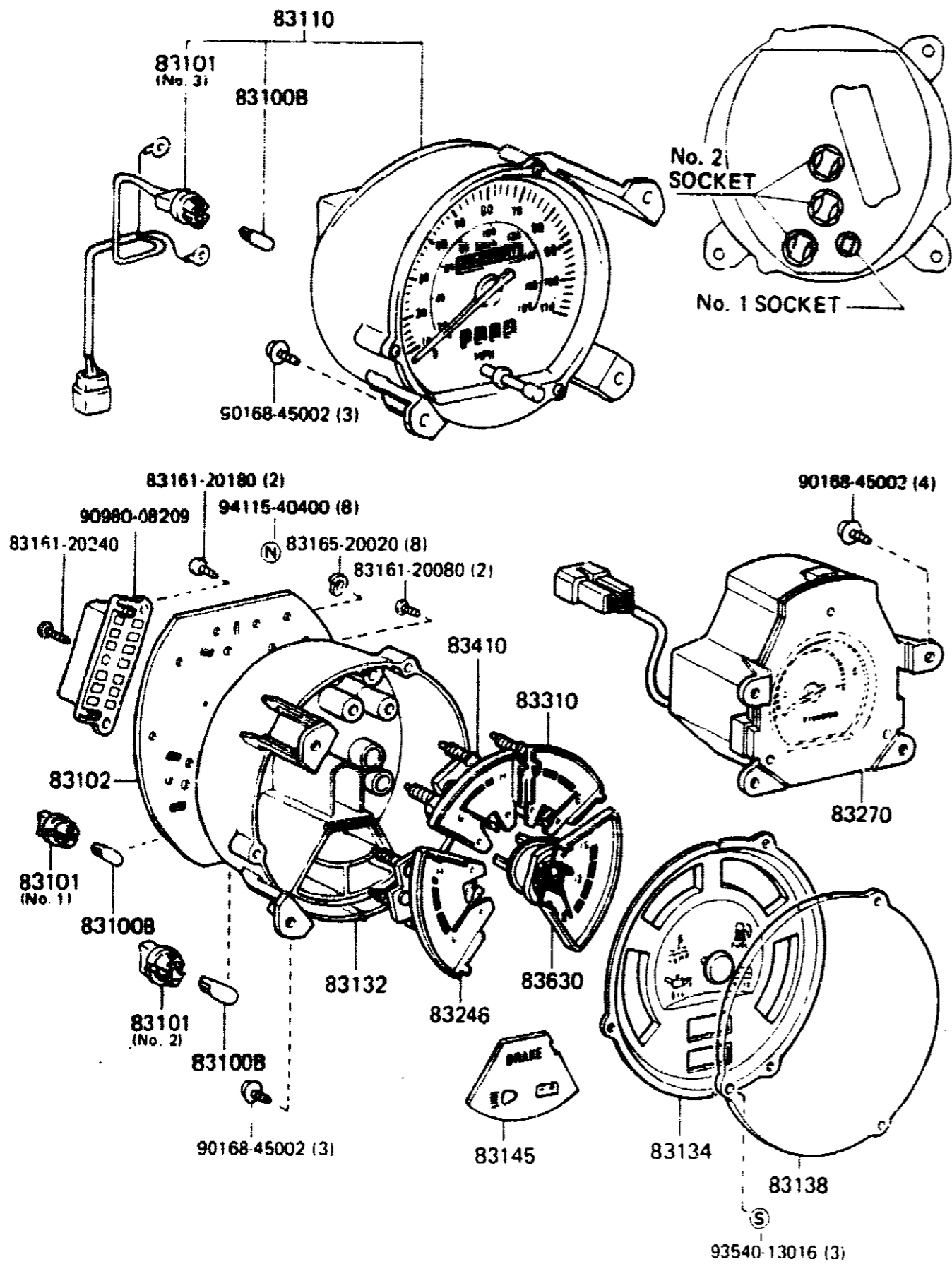


ME J475-B

PROD. DATE	MODELS	DESCRIPTION	R / P	PART NUMBER	Q T Y.	REV. REF	
						F	T
P 8708-9001	81510	LAMP ASSY, FRONT TURN SIGNAL, RH		81510-90A13-	1		002
P 8708-9001	81510B	BULB (FOR FRONT TURN SIGNAL LAMP) 12V 27W		99132-11270-	2		002
P 8708-9001	81511	LENS, FRONT TURN SIGNAL LAMP, RH		81511-90A13-	1		002
P 8708-9001	81515	WIRE SUB-ASSY, FRONT TURN SIGNAL LAMP BODY		81515-90A13-	2		002
P 8708-9001	81520	LAMP ASSY, FRONT TURN SIGNAL, LH		81520-90A13-	1		002
P 8708-9001	81521	LENS, FRONT TURN SIGNAL LAMP, LH		81521-90A13-	1		002

(8708-)

ILLUST.NO.1 OF 2



(8708-)

ILLUST.NO.2 OF 2

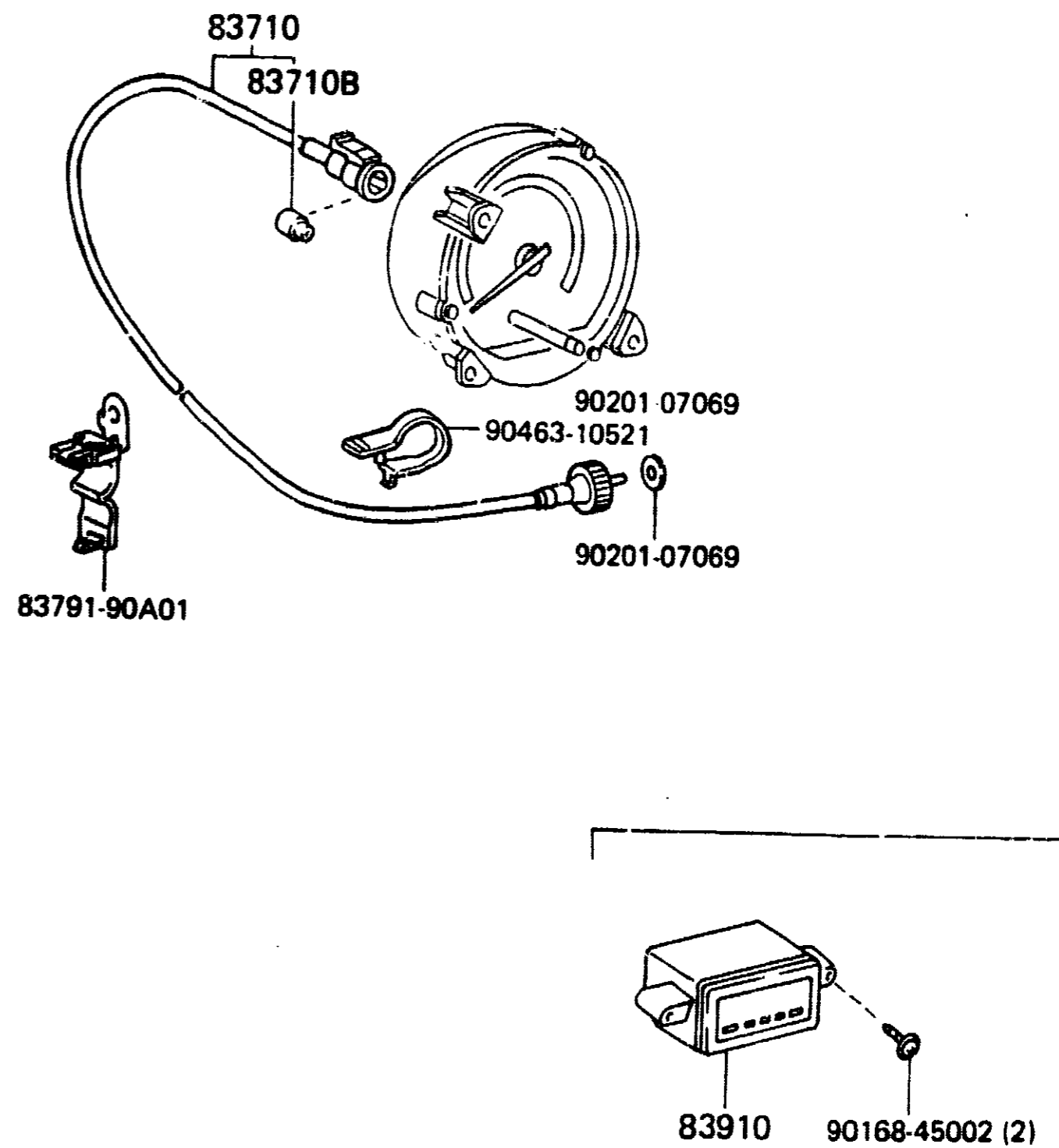
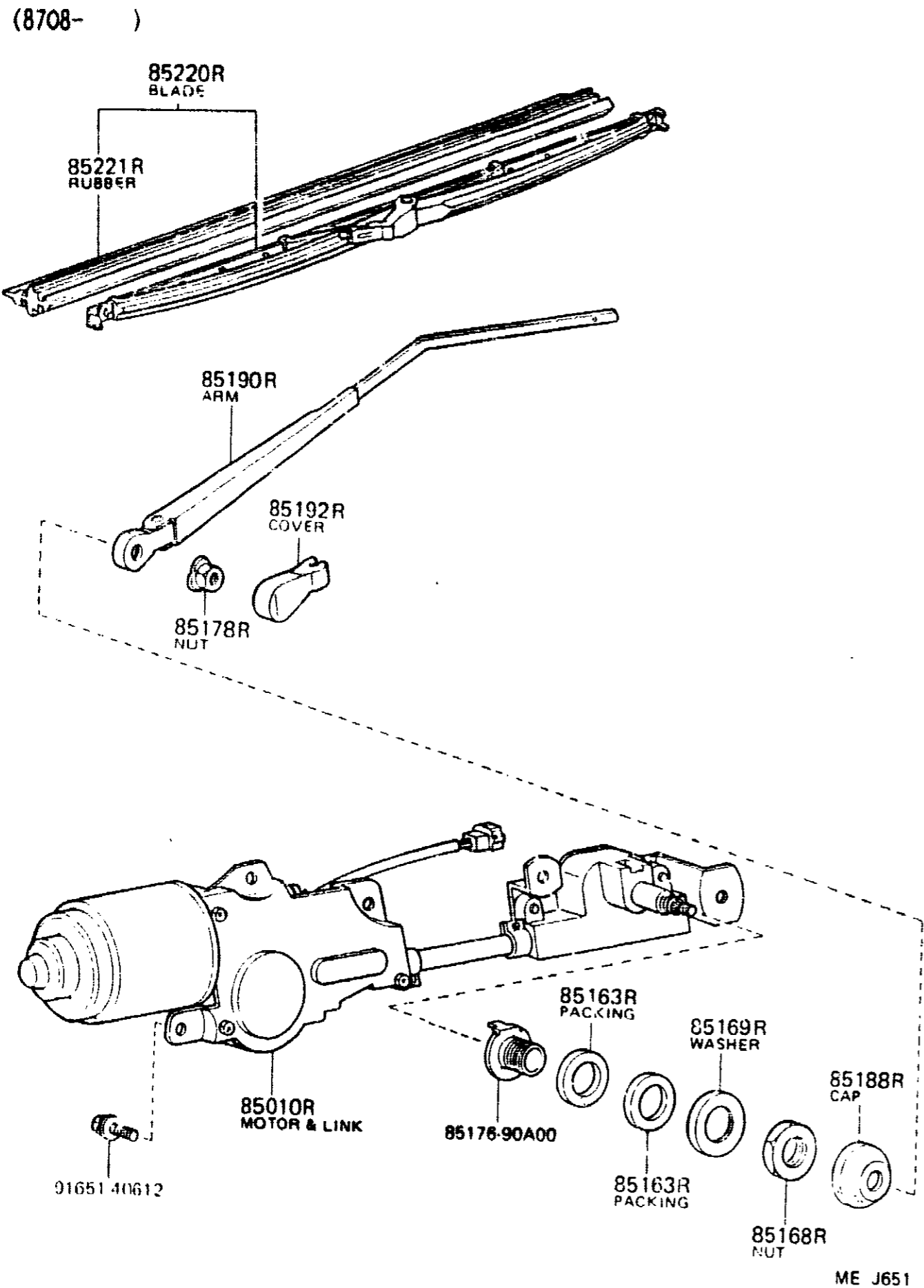


FIG. 85-02 REAR WIPER

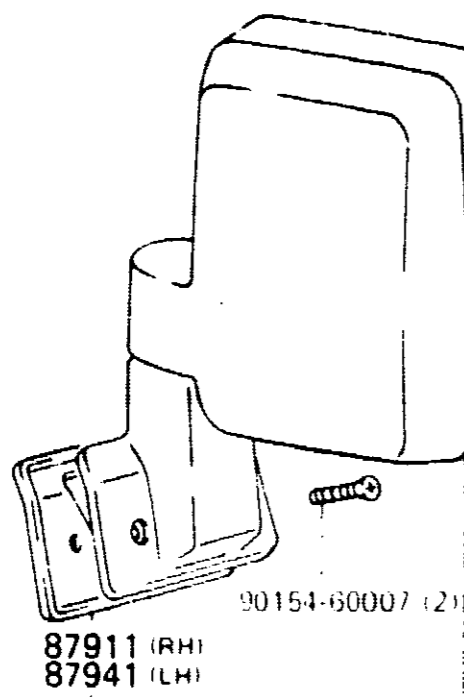
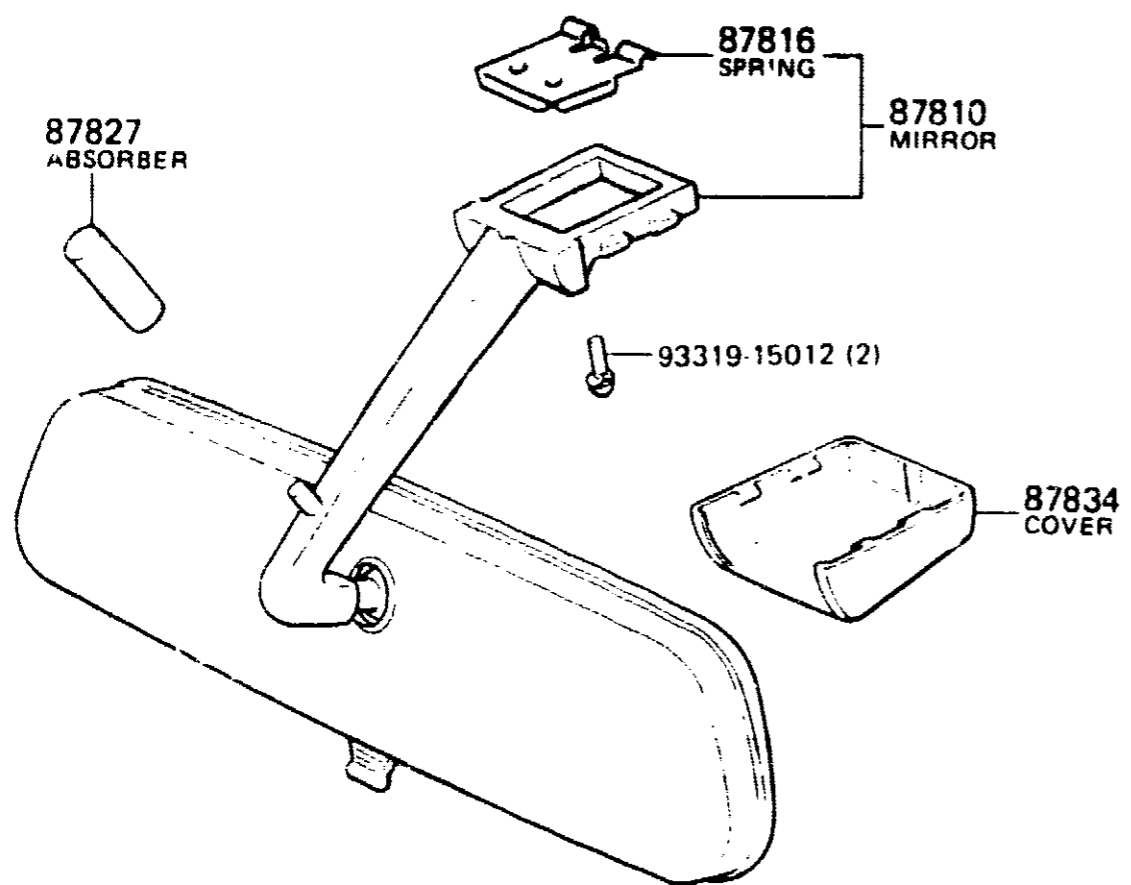
3C10

791430M-01356



PROD. DATE	MODELS	DESCRIPTION	R / P	PART NUMBER	Q T	REV. REF	
						Y.	F T
8708-9001	FJ62	1 85010R MOTOR AND LINK ASSY, REAR WIPER		85010-90A00-	1		
8708-9001	FJ62	1 85163R PACKING, REAR WIPER PIVOT, NO.1		85174-12320-	2		
8708-9001	FJ62	1 85168R NUT, REAR WIPER LINK PIVOT, NO.1		90099-05141-	1		
8708-9001	FJ62	1 85169R WASHER, REAR WIPER LINK PIVOT, NO.1		90099-01458-	1		
8708-9001	FJ62	1 85178R NUT (FOR REAR WIPER ARM SETTING)		90179-06158-	1		
8708-9001	FJ62	1 85188R CAP, REAR WIPER PIVOT, NO.1		85178-12320-	1		
8708-9001	FJ62	1 85190R ARM ASSY, REAR WIPER		85190-90A06-	1		
8708-9001	FJ62	1 85192R COVER, REAR WIPER ARM		85195-95700-	1		
8708-9001	FJ62	1 85220R BLADE ASSY, REAR WIPER		85220-90A02-	1		
8708-9001	FJ62	1 85221R BLADE, REAR WIPER		85221-90A02-	1		

(8708-)



87910 (RH)
87940 (LH)
MIRROR

ME J676

PROD. DATE	MODELS	DESCRIPTION	R / P	PART NUMBER	QTY.	REV. REF	
						F	T
P 8708-9001	FJ62	87810 MIRROR ASSY, INNER REAR VIEW		87810-90A03-	1		002
P 8708-9001	FJ62	87816 SPRING, INNER REAR VIEW MIRROR		74272-90A00-	1		002
P 8708-9001	FJ62	87827 ABSORBER, INNER REAR VIEW MIRROR		87828-90A00-	1		002
P 8708-9001	FJ62	L=45		87828-90A01-	1		002
P 8708-9001	FJ62	87834 COVER, INNER REAR VIEW MIRROR STAY HOLDER		87834-14011-28	1		002
P 8708-9001	FJ62	IVORY (TRIM), 4			1		002
P 8708-8911	FJ62..WGG	87910 MIRROR ASSY, OUTER REAR VIEW, RH		87910-90A19-	1		002
P 8708-8911	FJ62..WGV	DOOR REMOTE CONTROL MIRROR			1		
P 8708-9001	FJ62			87910-90A18-	1		002
N 8911-9001	FJ62..WGG	DOOR REMOTE CONTROL MIRROR		87910-90A20-	1		
N 8911-9001	FJ62..WGV	DOOR REMOTE CONTROL MIRROR			1		
P 8708-9001	FJ62	87911 GASKET, OUTER REAR VIEW MIRROR, RH		87911-90A05-	1		002
P 8708-8911	FJ62..WGG	87940 MIRROR ASSY, OUTER REAR VIEW, LH		87940-90A11-	1		002
P 8708-8911	FJ62..WGV	DOOR REMOTE CONTROL MIRROR			1		
P 8708-8911	FJ62..WGV	DOOR REMOTE CONTROL MIRROR			1		

PROD. DATE	MODELS	DESCRIPTION	R/P	PART NUMBER	QTY.	REV. REF	
						F	T
B 8808-9001	88330A CONTINUED FJ62..WGG	WASHER (FOR MAGNET CLUTCH)		88335-14020-	1		
8708-8808	88335 FJ62	GASKET KIT, OVERHAUL		88335-12030-	1		
B 8808-9001	FJ62..WGG			88335-14010-	1		
8708-8808	88343B FJ62	REED, SUCTION VALVE		88343-14011-	2		
B 8808-9001	FJ62..WGG			88343-14020-	2		
8708-8808	88344C FJ62	REED, DISCHARGE VALVE		88344-14011-	2		
B 8808-9001	FJ62..WGG			88344-14020-	2		
B 8808-9001	88356 FJ62..WGG	LABEL, COMPRESSOR CAUTION		88356-12010-	1		
P 8708-9001	88360A FJ62	RING, COMPRESSOR SEAL PLATE SNAP		90096-90022-	1		
8708-8808	88360C FJ62	SEAL ASSY, SHAFT		88360-40010-	1		
B 8808-9001	FJ62..WGG			88360-14030-	1		
8708-8808	88371A FJ62	VALVE, SUCTION		88371-60101-	1		
P 8808-9001	FJ62..WGG			88371-60170-	1		

PROD. DATE	MODELS	DESCRIPTION	R/P	PART NUMBER	QTY.	REV. REF	
						F	T
P 8708-9001	88374A FJ62	VALVE, SERVICE		88374-12020-	2		
P 8708-9001	88375 FJ62	CAP, COOLER COMPRESSOR SERVICE VALVE		DISCHARGE 88375-20010-	1		
P 8708-9001	FJ62	SUCTION		88375-30270-	1		
P 8708-9001	88376 FJ62	CAP, BLIND		SUCTION 88376-22010-	1		
P 8708-9001	FJ62	DISCHARGE		88376-22020-	1		
8708-8808	88403 FJ62	HUB SUB-ASSY, MAGNET CLUTCH		88403-12030-	1		
B 8808-9001	FJ62..WGG			88403-16011-	1		
8708-8808	88410 FJ62	CLUTCH ASSY, MAGNET		88410-22080-	1		
B 8808-9001	FJ62..WGG			88410-60120-	1		
8708-8808	88431 FJ62	BRACKET, COMPRESSOR MOUNTING, NO. 1		88431-60040-	1		
8808-9001	FJ62..WGG			88431-60100-	1		
8708-9001	88545 FJ62	PULLEY ASSY, IDLE		88440-35010-	1		

PART NUMBER	LOCA TION	PART NUMBER	LOCA TION	PART NUMBER	LOCA TION	PART NUMBER	LOCA TION	PART NUMBER	LOCA TION	PART NUMBER	LOCA TION
B 35676-36010-	2L1	36143-60020-	2B4	41201-69166-	2C5	41451-60010-	2E5	42538-60010-	2B6	44313-12040-	2E7
-36020-	2D2	-60030-	2B4		2E6		2G6	42540-60010-	2B6	-12050-	2E7
-36030-	2D2	36144-60020-	2B4	41204-60030-	2C5	P 41453-60010-	2E5	42541-60010-	2B6	-22040-	2E7
-36040-	2D2	36152-60030-	2B4		2E6	P	2G6	42550-60010-	2B6	-22050-	2E7
-36070-	2F2	36164-60040-	2H4	41214-26010-	2C5	S	2E5	42560-60011-	2B6	-22060-	2E7
-36080-	2F2	36212-60090-	2D4		2E6	S	2G6	42562-60010-	2B6	-22070-	2E7
-36090-	2F2	36215-60030-	2D4	41226-35010-	2C5		2E5	A 42601-60221-	2K5	-22080-	2E7
35701-60010-	2B2	36221-60090-	2D4		2E6		2G6	42603-35080-	2K5	-22090-	2E7
35706-60011-	2E2	36222-60020-	2D4	P 41231-60020-	2C5	-1460-60010-	2E5	-60012-	2K5	44320-50090-	2E7
35709-36010-	2E2	36225-60050-	2D4	P	2E6		2G6	-60052-	2K5	44325-12010-	2E7
35712-36010-	2C2	36231-60050-	2D4	B	2C5	41464-60010-	2F5	B 42652-60060-	2L5	-12020-	2E7
	2L1	36234-60031-	2E4	B	2F6		2G6	43110-60144-	2H6	-12030-	2E7
35713-36011-	2G2	36235-60020-	2E4		2C5	41465-60010-	2F5	-60211-	2H6	-12040-	2E7
35719-60010-	2E2	36237-60020-	2E4	41252-35010-	2C5		2G6	43204-60020-	2E9	-12050-	2E7
35720-60010-	2G2	36241-60080-	2D4	P 41301-60020-	2D5	41466-60010-	2F5	43209-60011-	2H6	44330-30100-	2E7
35735-36010-	2J2	36242-60130-	2E4	P	2H6		2H6	43211-60050-	2E9	-30110-	2E7
										-30120-	2E7
35737-36010-	2G2	36251-60030-	2E4	S	2D5	41467-60020-	2F5	43212-60050-	2E9	-30130-	2E7
35738-60010-	2H2	36303-60130-	2F4	S	2H6	41991-60030-	2F5	43232-35010-	2E9	-30140-	2E7
35743-60010-	2H2	36307-60040-	2F4	B	2D5	-60040-	2F5	43233-60011-	2E9	-30150-	2E7
35748-36010-	2H2	36308-60100-	2F4	B	2H6	42109-60050-	2F5	43234-60011-	2F9	44341-12010-	2F7
35760-60010-	2H2	36311-60041-	2F4		2D5	42110-60193-	2F5	43235-60010-	2F9	44343-12040-	2F7
35761-60010-	2H2	36312-60040-	2F4	41315-30010-	2F6	-60301-	2F5	43236-60010-	2F9	44345-12010-	2F7
35762-60010-	2H2	36313-60070-	2G4	41316-30010-	2D5		2F5	43237-60030-	2F9	-12020-	2F7
35785-36010-	2E2	36314-60040-	2G4	B	2G6	42137-55010-	2F5	43238-60010-	2F9	-12030-	2F7
	2M1	36324-60050-	2G4	B	2D5	42181-36010-	2H6	43239-60020-	2F9	-12040-	2F7
35789-36010-	2M1	36327-60031-	2G4	B	2F6		2F5	P 43401-60012-	2F9	-12050-	2F7
-36020-	2B2	36337-60080-	2H4		2D5	-60030-	2F5	S	43405-60016-	2F9	44391-14010-
	2M1	36338-60030-	2G4		2F6	42183-35010-	2G5		2J6	44410-60170-	2G7
-36040-	2F1	36343-60010-	2H4		2D5	42306-60051-	2I5	P	43411-60020-	2J6	44416-60061-
-36050-	2F1	-60040-	2H4		2F6	42311-60060-	2I5	N	-60060-	2J6	44443-60050-
-36060-	2F1	36360-60220-	2G4	B	2E5	-60061-	2I5	N	-60060-	2J6	44446-60020-
-36070-	2M1	36362-60020-	2G4	B	2F6	-60080-	2I5		2J6	44446-60020-	
						42312-60050-	2I5		2J6	44605-30350-	
-36090-	2A2	36369-60030-	3M6		2D5	-60051-	2I5	43422-60020-	2J5	44608-17090-	
	2B2	36409-60040-	2J4		2F6	-60060-	2I5		2K6	44609-17090-	
	2H2	36410-60030-	2H4	B	2E5	42323-60010-	2K6	43435-60011-	2F9	44610-60530-	
-36100-	2C2	36416-36010-	2H4	B	2F6	-60020-	2F9	43436-60011-	2F9	44624-20810-	
-36110-	2C2	36422-60010-	2H4		2E5		2I5	43502-60020-	2K6	44628-20810-	
-36120-	2C2	36482-60100-	2J4		2F6	42325-55010-	2I5	43509-60015-	2K6	44632-27290-	
-36130-	2C2	36486-60010-	2H4		2E5	A 42411-60011-	2J5	43512-60040-	2L6	44633-20811-	
-36140-	2C2	36726-60020-	2E4		2F6	A 42420-60110-	2J5	43521-60011-	2L6	44637-20810-	
35790-36010-	2H2	37110-60410-	2K4	P	2E5	42427-60021-	2J5	43530-69017-	2L6	44645-10080-	
35791-36010-	2L1	37140-60200-	2K4	P	2F6	42428-60011-	2J5	43531-60010-	2L6	44651-20810-	
35847-36010-	2H3	37302-36020-	2L4		2E5	42431-60020-	2I5	43532-60010-	2L6	44673-20810-	
35893-36010-	2H3	-60050-	2L4	B	2E5	42441-30010-	2J5	44104-22011-	2J7	44730-24020-	
35906-60050-	2B1	37305-36020-	2L4	B	2G6	42443-55020-	2J5	44105-30060-	2J7	44758-60030-	
35921-60030-	2B1	-60010-	2L4		2E5	42506-60010-	2A6	44107-60060-	2K7	44772-60050-	
35971-60030-	2B1	37315-36020-	2L4		2E5	42511-60010-	2A6	44108-60010-	2K7	44773-60030-	
35972-60020-	2B1	37402-10020-	2A7		2E5	42512-60010-	2A6	44110-60160-	2K7	44785-35020-	
35974-60030-	2B1	-36080-	2L4		2E5	42513-60010-	2A6	44111-60040-	2K7	44786-60040-	
35975-60020-	2B1	B 38628-60010-	2C1		2E5	42514-60010-	2A6	44115-30040-	2K7	45025-60020-	
-60030-	2B1	S 41101-60041-	2B5	B	2E5	42515-60010-	2A6	44116-30040-	2K7	P 45044-69055-	
35976-60020-	2B1		2E6	B	2G6	42516-60010-	2A6	44120-60130-	2L7	N	
35989-60020-	2C1	-60080-	2B5		2E5	42517-60010-	2A6	44142-22010-	2K7	A	
36103-60160-	2A4		2E6		2G6	42518-60010-	2A6	44142-22010-	2L7	S	
36110-6A790-	2M3	41110-60110-	2B5	41361-60010-	2E5	42521-60010-	2A6	44302-14010-	2D7	P	
36119-60010-	2B4		2E6		2G6	42522-60010-	2A6	44304-60021-	2D7	N	
-60020-	2D4	-60111-	2B5		2E5	42523-60010-	2A6	44305-30020-	2D7	P	
-60030-	2B4		2E6		2G6	42531-60030-	2A6	44306-60070-	2F7	N	
36122-60040-	2B4	-60230-	2B5		2E5	42532-60030-	2B6	44308-35030-	2D7		
36124-60020-	2B4		2E6		2G6	42533-60010-	2B6	44311-60010-	2D7		
36128-60021-	2B4	-60231-	2B5		2E5	42534-60030-	2B6	44312-12010-	2E7	P	
36132-60020-	2B4		2E6		2G6	42535-60010-	2B6	44313-12010-	2E7	P	
36134-60020-	2B4	41114-60010-	2C5	41375-60010-	2E5	42537-60010-	2B6	-12020-	2E7	P	
36142-60030-	2B4		2E6		2G6	-60020-	2B6	-12030-	2E7	P	

1. MODELS COVERED & CHARACTERISTICS

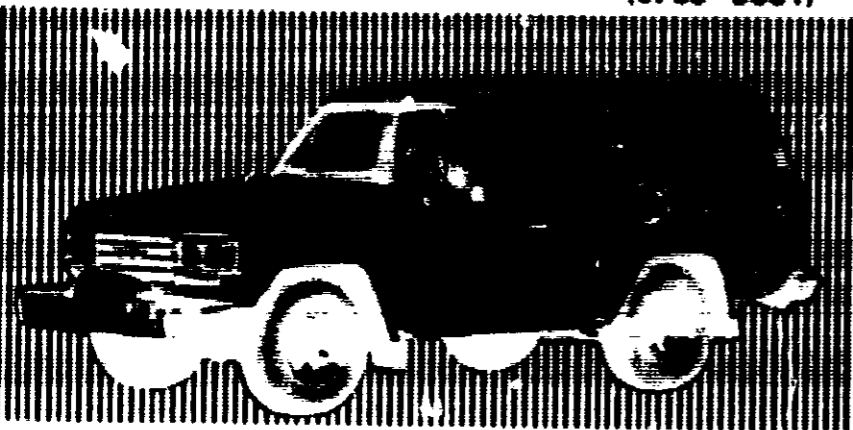
Vehicle Appearance

C15

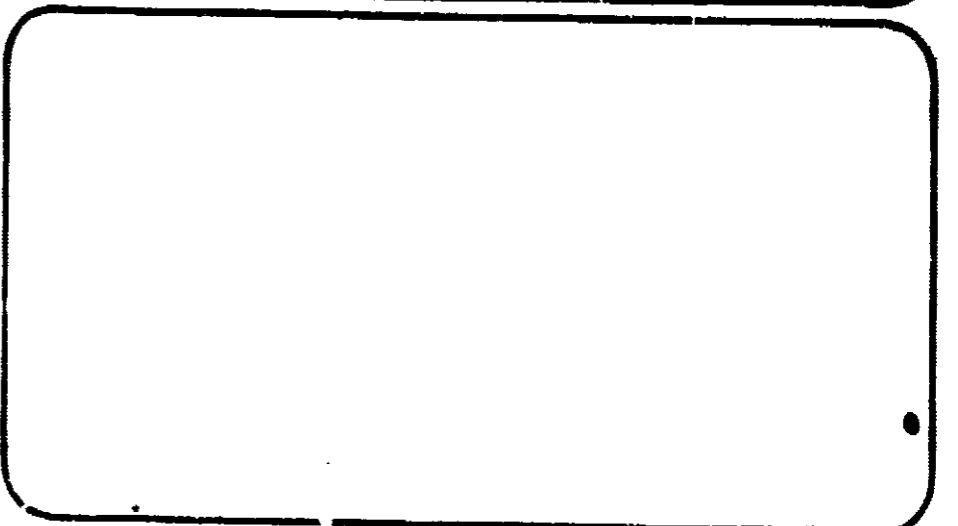
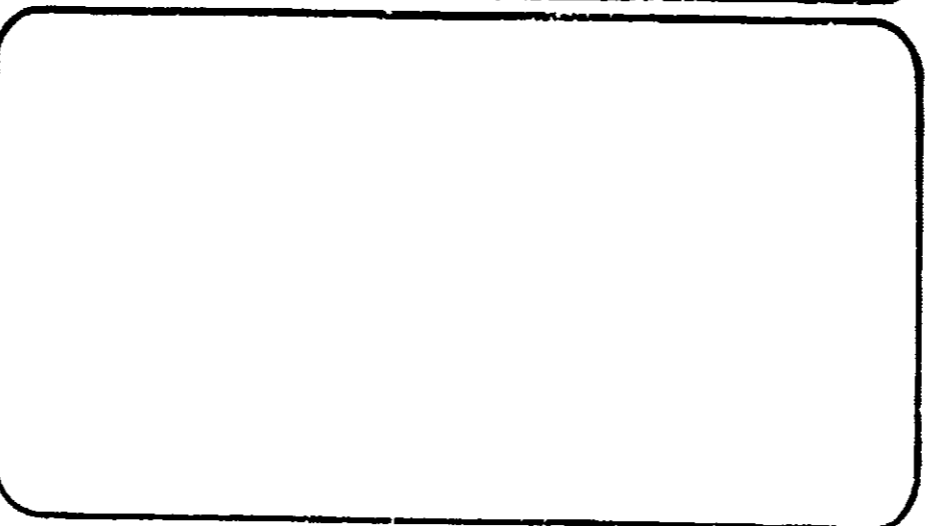
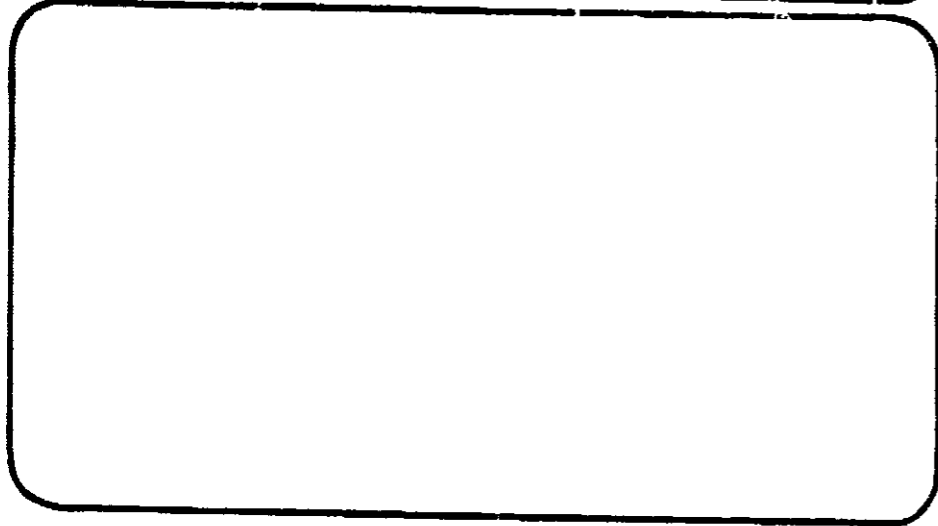
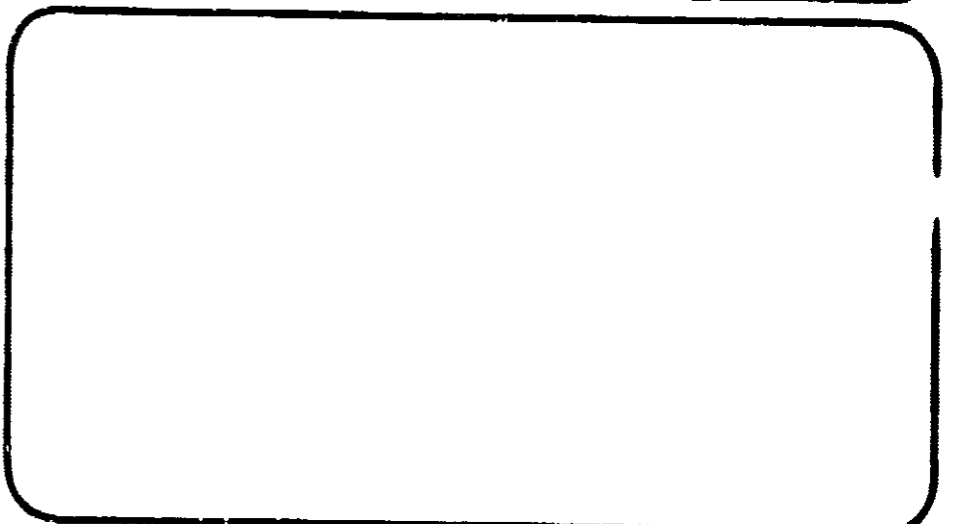
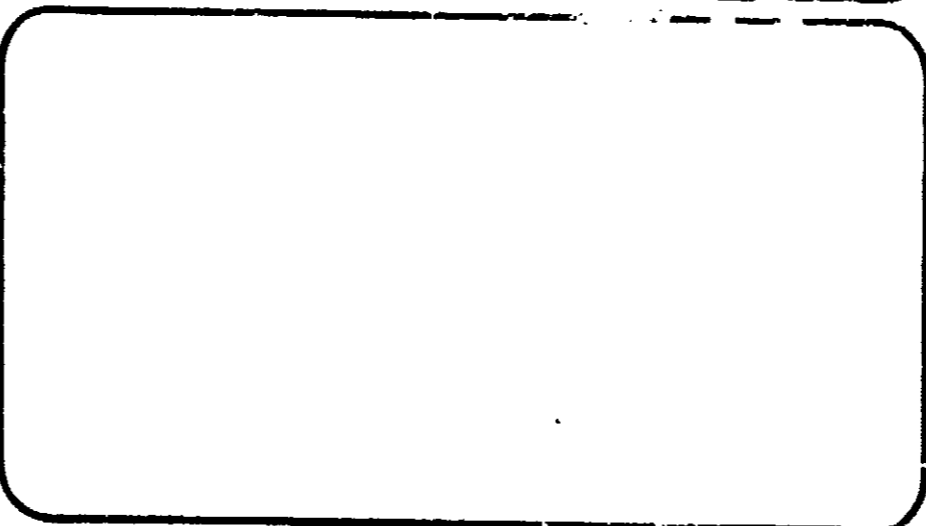
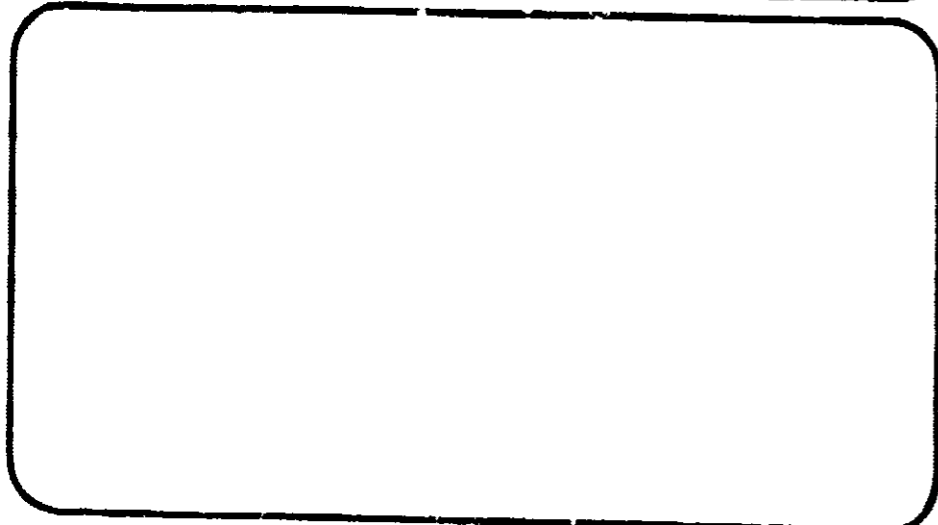
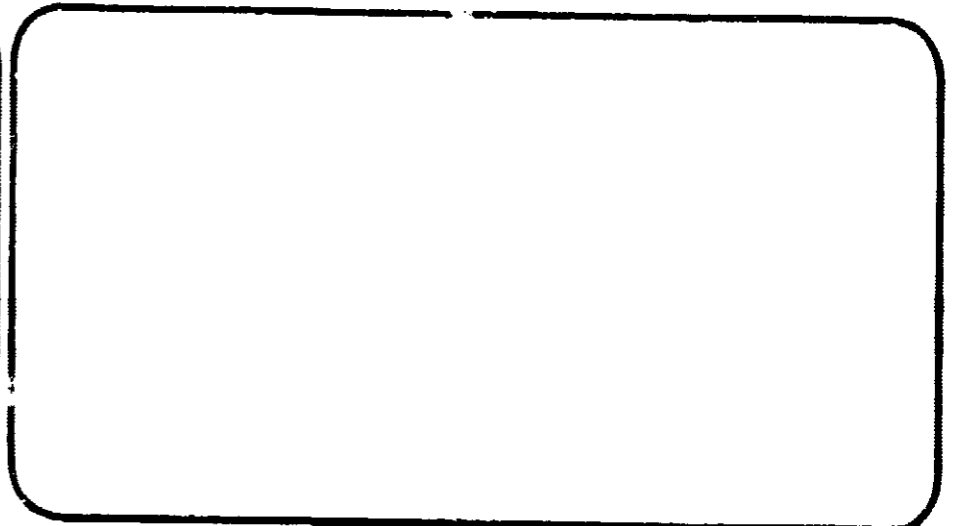
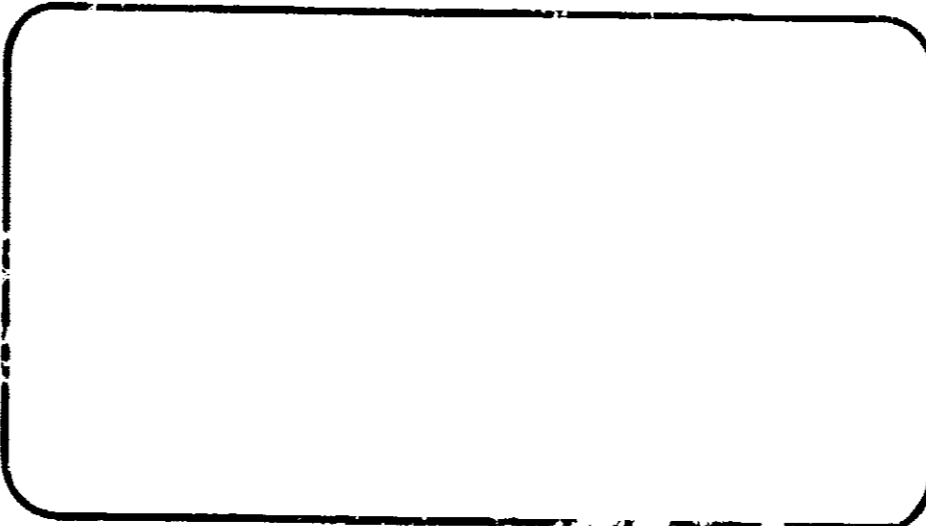
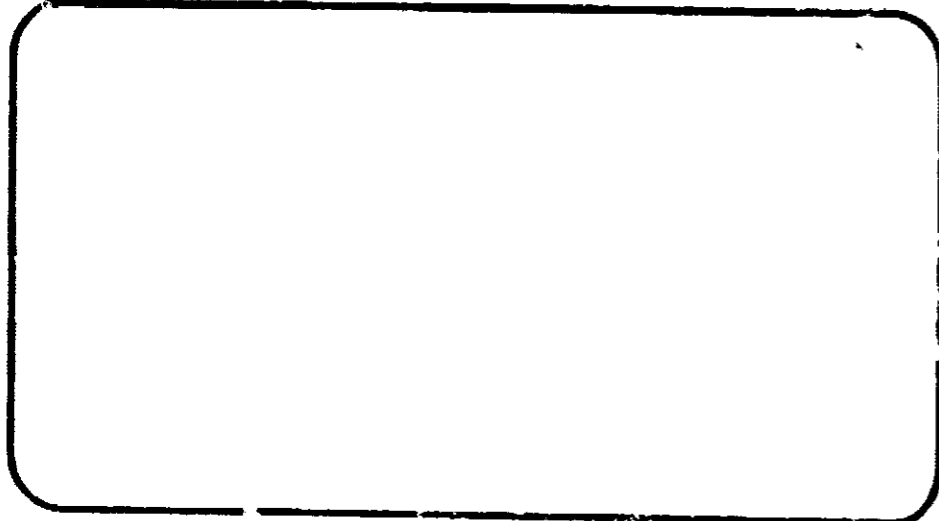
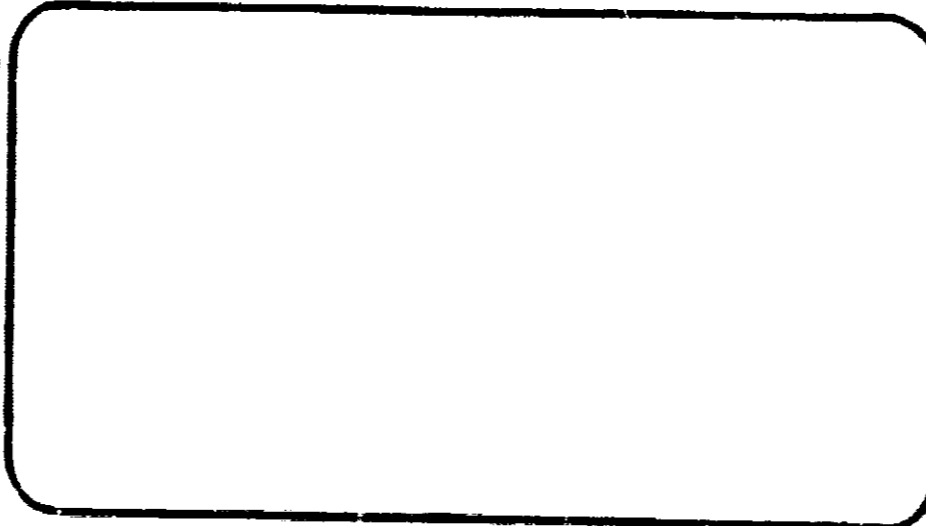
TOYOTA LAND CRUISER Station Wagon (Production from Aug. '87 up to Jan. '90)

Station Wagon

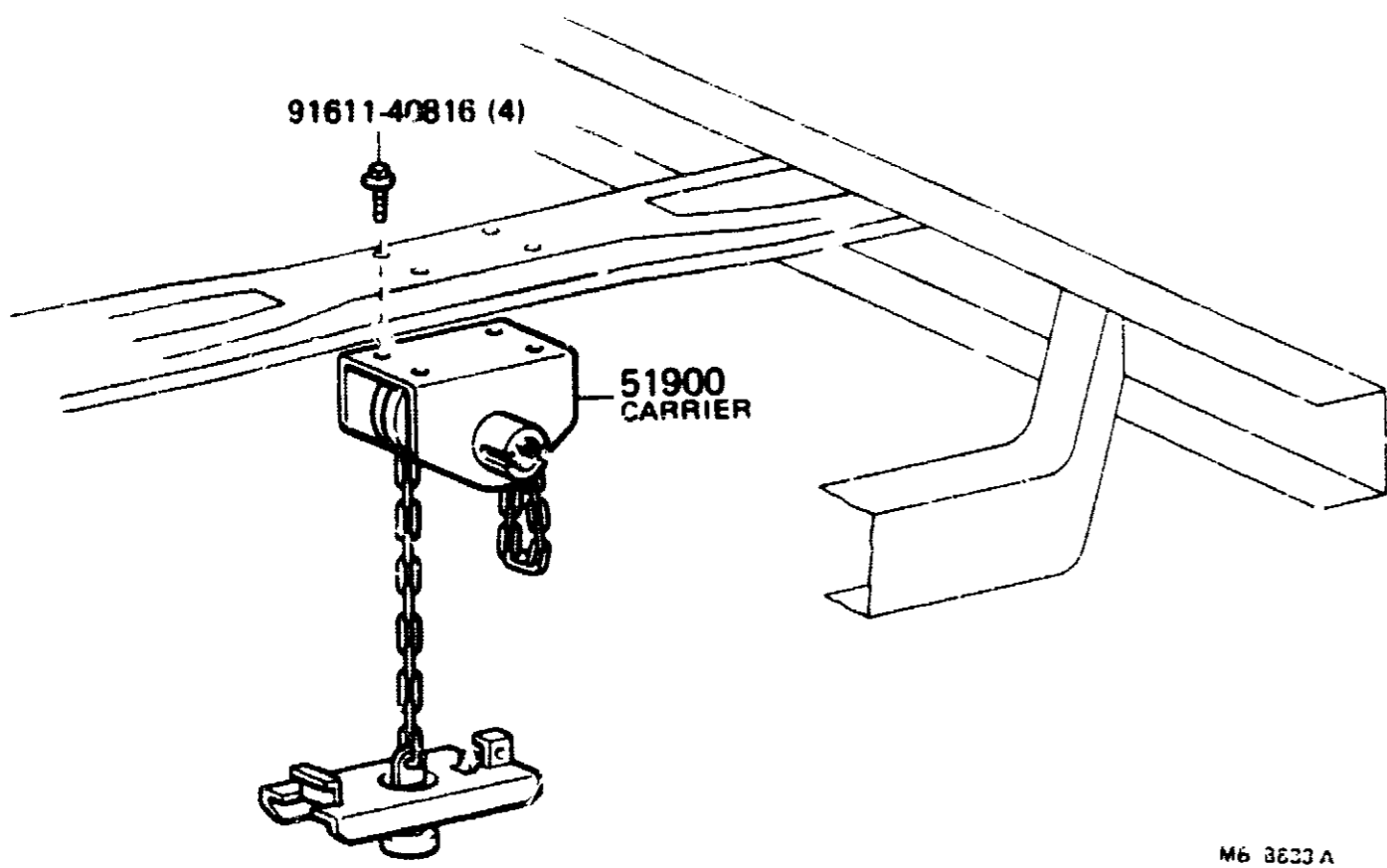
(6708-9001)



MP1988



(8708-)

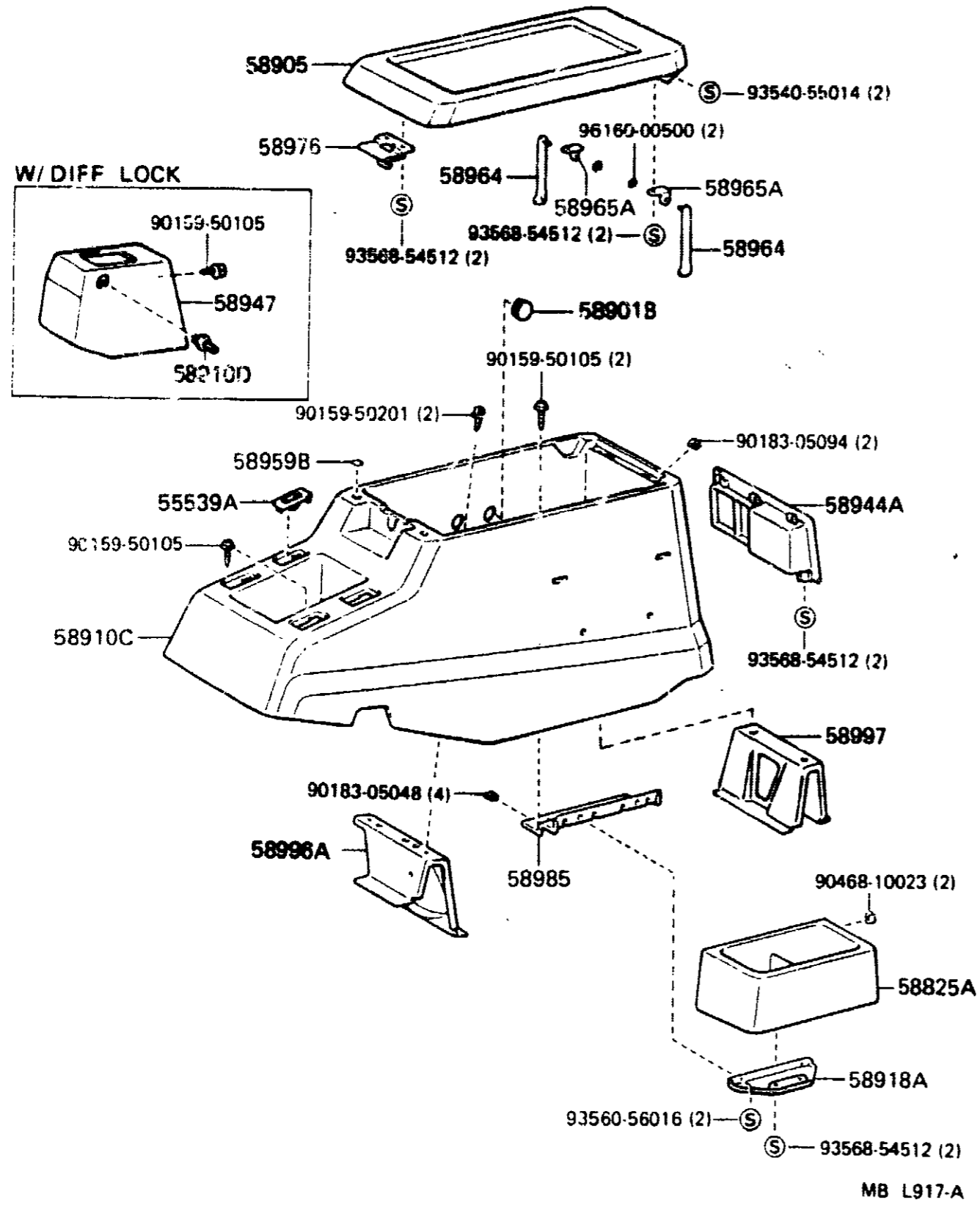


PROD. DATE	QUANTITIES	DESCRIPTION	R / P	PART NUMBER	QTY.	REV. REF.	
						F	T
8708-9001	1 FJ62	CARRIER ASSY, SPARE WHEEL		51900-60100-	1		

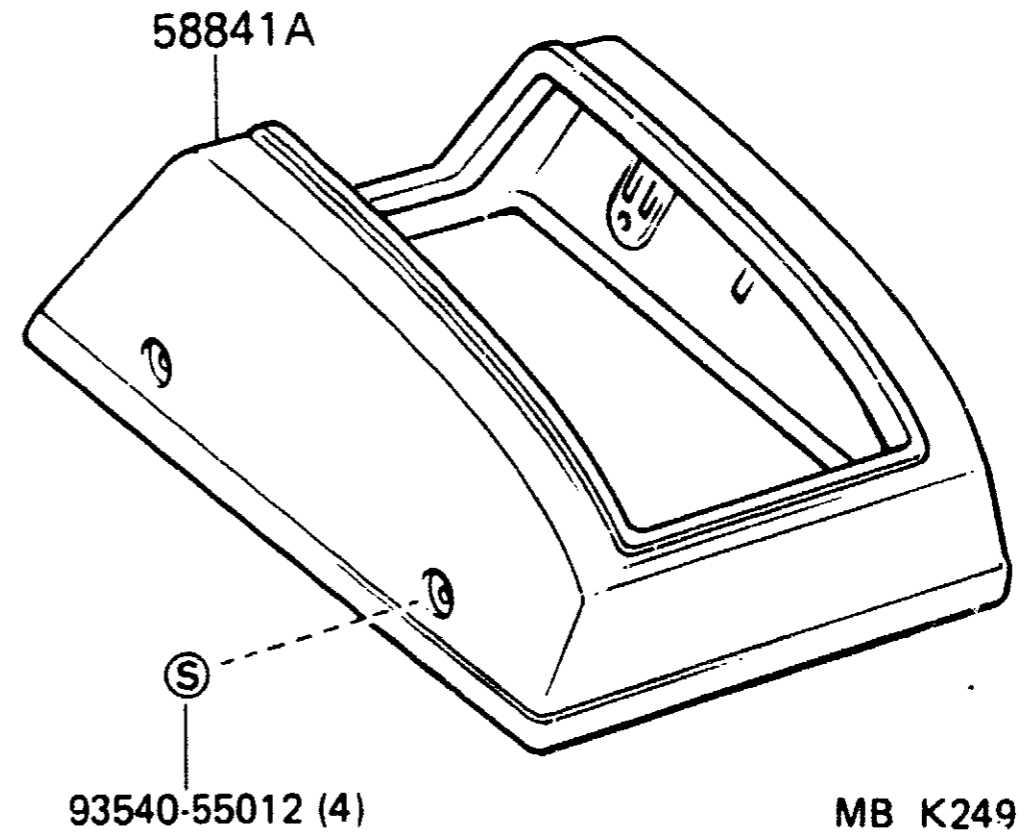
PROD. DATE	MODELS	DESCRIPTION	R / P	PART NUMBER	QTY.	REV. REF	
						F	T
	55501A	DOOR SUB-ASSY, GLOVE COMPARTMENT					
P 8708-9001	FJ62	SEPIA BROWN(TRIM4)		55501-90A00-06	1		
P 8708-9001	FJ62	SHADOW GRAY(TRIM1)		55501-90A00-23	1		
	55503B	CUSHION (FOR GLOVE COMPARTM.					
8708-9001	FJ62			90541-03015-	2		
	55505D	HINGE SUB-ASSY, GLOVE COMPARTMENT DOOR					
8708-9001	FJ62			55505-90A00-	1		
	55517	STOPPER, GLOVE COMPARTMENT DOOR ARM					
8708-9001	FJ62			55517-14010-	1		
	55521C	COVER, STEREO OPENING					
P 8708-9001	FJ62	BLACK(TRIM1,4)		55521-14050-01	1		
	55538A	COVER, COOLER SWITCH HOLE					
8708-9001	FJ62			55538-22010-	1		
	55539	COVER, SPARE SWITCH HOLE					
8708-8712	FJ62	BLACK(TRIM1,4)		# 55539-32010-01 (55539-32010-11)	1 2		002
	55545	COVER, FUSE BOX OPENING					
P 8708-9001	FJ62	SHADOW GRAY(TRIM1)		55545-90A01-03	1		
P 8708-9001	FJ62	SEPIA BROWN(TRIM4)		55545-90A01-06	1		
	55547	COVER, REMOTE CONTROL MIRROR HOLE					
8708-9001	FJ62			55547-90A00	1		

PROD. DATE	MODELS	DESCRIPTION	R / P	PART NUMBER	QTY.	REV. REF	
						F	T
	55549A	COVER, RR COOLER SWITCH HOLE					
8708-9001	FJ62			55549-90A00-	1		
	55556	ARM, GLOVE COMPARTMENT DOOR CHECK					
8708-9001	FJ62			55556-90A01-	1		
	55561A	STRIKER, GLOVE COMPARTMENT DOOR LOCK					
8708-9001	FJ62			55561-90A00-	1		
	55569	COVER, GLOVE COMPARTMENT DOOR LOCK					
P 8708-9001	FJ62	SEPIA BROWN(TRIM4)		55569-90A00-06	1		
F 8708-9001	FJ62	SHADOW GRAY(TRIM1)		55569-90A00-23	1		
	55581A	COMPARTMENT, GLOVE					
8708-9001	FJ62			55581-90A06-	1		
	55650	REGISTER ASSY, INSTRUMENT PANEL, NO.1					
8708-9001	FJ62			55650-90A02-	1		
	55660	REGISTER ASSY, INSTRUMENT PANEL, NO.2					
8708-9001	FJ62			55660-90A00-	1		
	55670	REGISTER ASSY, INSTRUMENT PANEL, NO.3					
8708-9001	FJ62			55670-90A02-	2		
	55950	NOZZLE ASSY, DEFROSTER					
8708-8805	FJ62			# 55950-90A01- (55950-90A02-)	1 1		
8805-9001	FJ62			55950-90A03-	1		

(8708-)



(8708-)



PROD. DATE	MODELS	DESCRIPTION	R / P	PART NUMBER	Q T Y.	REV. REF	
						F	T
	↔ 62511 ↔	BOARD, QUARTER INSIDE TRIM, RH					
8708-8808	FJ62	SHADOW GRAY (TRIM1)		62510-90A31-03	1		002
8708-8808	FJ62	SEPIA BROWN (TRIM4)		62510-90A31-06	1		002
P 8808-9001	FJ62..WGG	SHADOW GRAY (TRIM1)		62510-90A34-03	1	003	
P 8808-9001	FJ62..WGG	SEPIA BROWN (TRIM4)		62510-90A34-06	1	003	
	↔ 62512 ↔	BOARD, QUARTER INSIDE TRIM, LH					
8708-8808	FJ62	SHADOW GRAY (TRIM1)		62520-90A52-03	1		002
8708-8808	FJ62	SEPIA BROWN (TRIM4)		62520-90A52-06	1		002
P 8808-9001	FJ62..WGG	SHADOW GRAY (TRIM1)		62520-90A44-03	1	003	
P 8808-9001	FJ62..WGG	SEPIA BROWN (TRIM4)		62520-90A44-06	1	003	
	↔ 62539C ↔	COVER, QUARTER TRIM UPPER BELT HOLE, RH					
P 8808-9001	FJ62..WGG	SHADOW GRAY (TRIM1)		62539-90A01-03	1	003	
P 8808-9001	FJ62..WGG	SEPIA BROWN (TRIM4)		62539-90A01-06	1	003	
	↔ 62549C ↔	COVER, QUARTER TRIM UPPER BELT HOLE, LH					
P 8808-9001	FJ62..WGG	GRAY (TRIM1)		62549-90A00-03	1	003	
P 8808-9001	FJ62..WGG	SEPIA BROWN (TRIM4)		62549-90A00-16	1	003	
	↔ 62613A ↔	COVER, QUARTER WHEEL HOUSE, RH					
8708-8808	FJ62	SHADOW GRAY (TRIM1)		62613-90A07-03	1		002
8708-8808	FJ62	SEPIA BROWN (TRIM4)		62613-90A07-06	1		002
P 8808-9001	FJ62..WGG	SHADOW GRAY (TRIM1)		62613-90A09-03	1	003	
P 8808-9001	FJ62..WGG	SEPIA BROWN (TRIM4)		62613-90A09-06	1	003	
	↔ 62614A ↔	COVER, QUARTER WHEEL HOUSE, LH					
8708-8808	FJ62	GRAY (TRIM1)		62614-90A00-03	1		002
8708-8808	FJ62	SEPIA BROWN (TRIM4)		62614-90A00-16	1		002

PROD. DATE	MODELS	DESCRIPTION	R / P	PART NUMBER	Q T Y.	REV. REF	
						F	T
	↔ 62614A ↔	COVER, QUARTER WHEEL HOUSE, LH					
	CONTINUED						
P 8808-9001	FJ62..WGG	GRAY (TRIM1)		62614-90A02-03	1		003
P 8808-9001	FJ62..WGG	BROWN (TRIM4)		62614-90A02-06	1		003
	↔ 62633A ↔	GARNISH, QUARTER TRIM, RH					
8708-8808	FJ62..WGV	IVORY (TRIM1,4)		62505-90A03-08	1		002
8708-8808	FJ62..WGG	IVORY (TRIM1,4)		62633-90A09-08	1		002
P 8808-9001	FJ62..WGG	IVORY (TRIM1,4)		62633-90A11-08	1	003	
	↔ 62634A ↔	GARNISH, QUARTER TRIM, LH					
8708-8808	FJ62..WGV	IVORY (TRIM1,4)		62506-90A03-08	1		002
8708-8808	FJ62..WGG	IVORY (TRIM1,4)		62634-90A09-08	1		002
P 8808-9001	FJ62..WGG	IVORY (TRIM1,4)		62634-90A11-08	1	003	
	↔ 62640P ↔	PANEL ASSY, QUARTER TRIM, REAR LH					
P 8708-9001	FJ62	SHADOW GRAY (TRIM1)		62640-90A17-03	1		
P 8708-9001	FJ62	SEPIA BROWN (TRIM4)		62640-90A17-06	1		
	↔ 62650H ↔	PANEL ASSY, QUARTER TRIM, CENTER					
P 8708-9001	FJ62	SHADOW GRAY (TRIM1)		62650-90A06-03	1		
P 8708-9001	FJ62	SEPIA BROWN (TRIM4)		62650-90A06-06	1		
	↔ 64739 ↔	COVER, DECK TRIM SIDE WASHER					
P 8708-9001	FJ62	SHADOW GRAY (TRIM1)		64739-90K01-03	1		
P 8708-9001	FJ62	SEPIA BROWN (TRIM4)		64739-90K01-06	1		

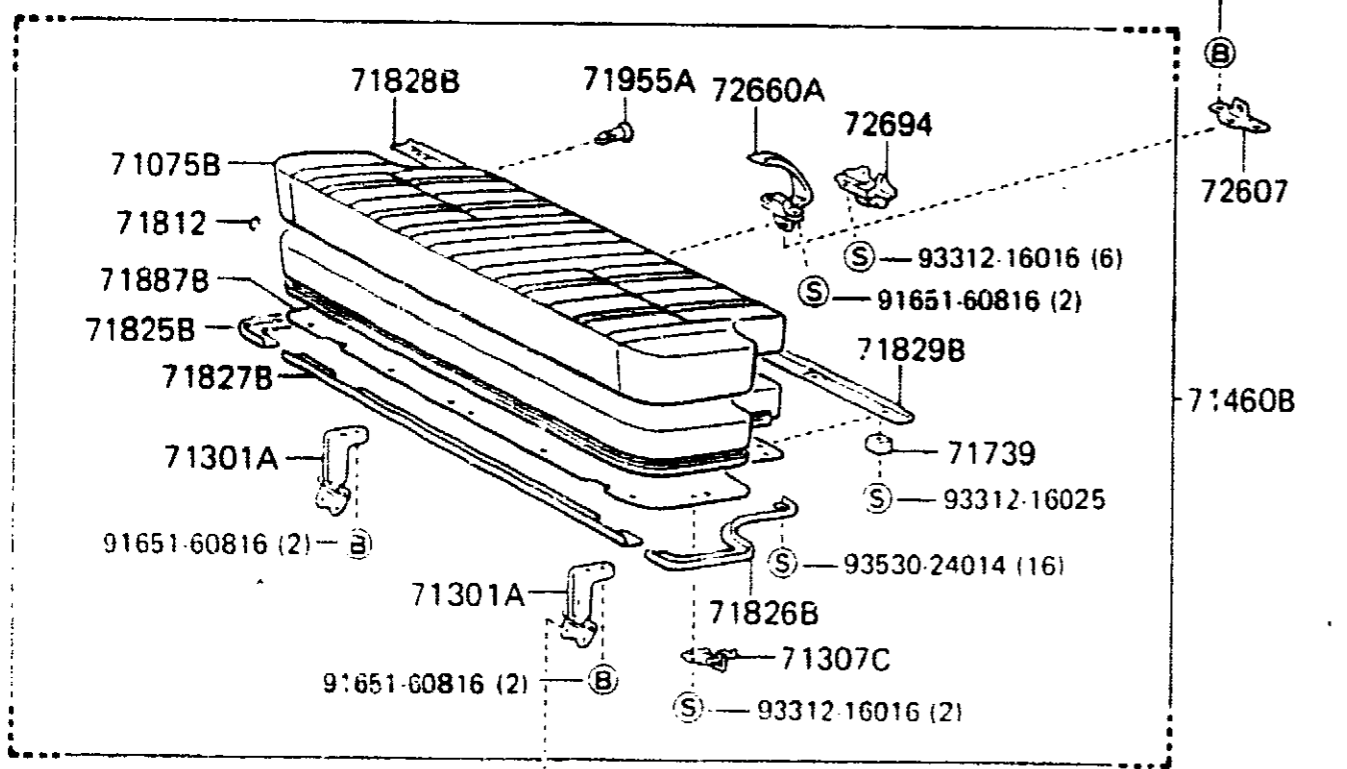
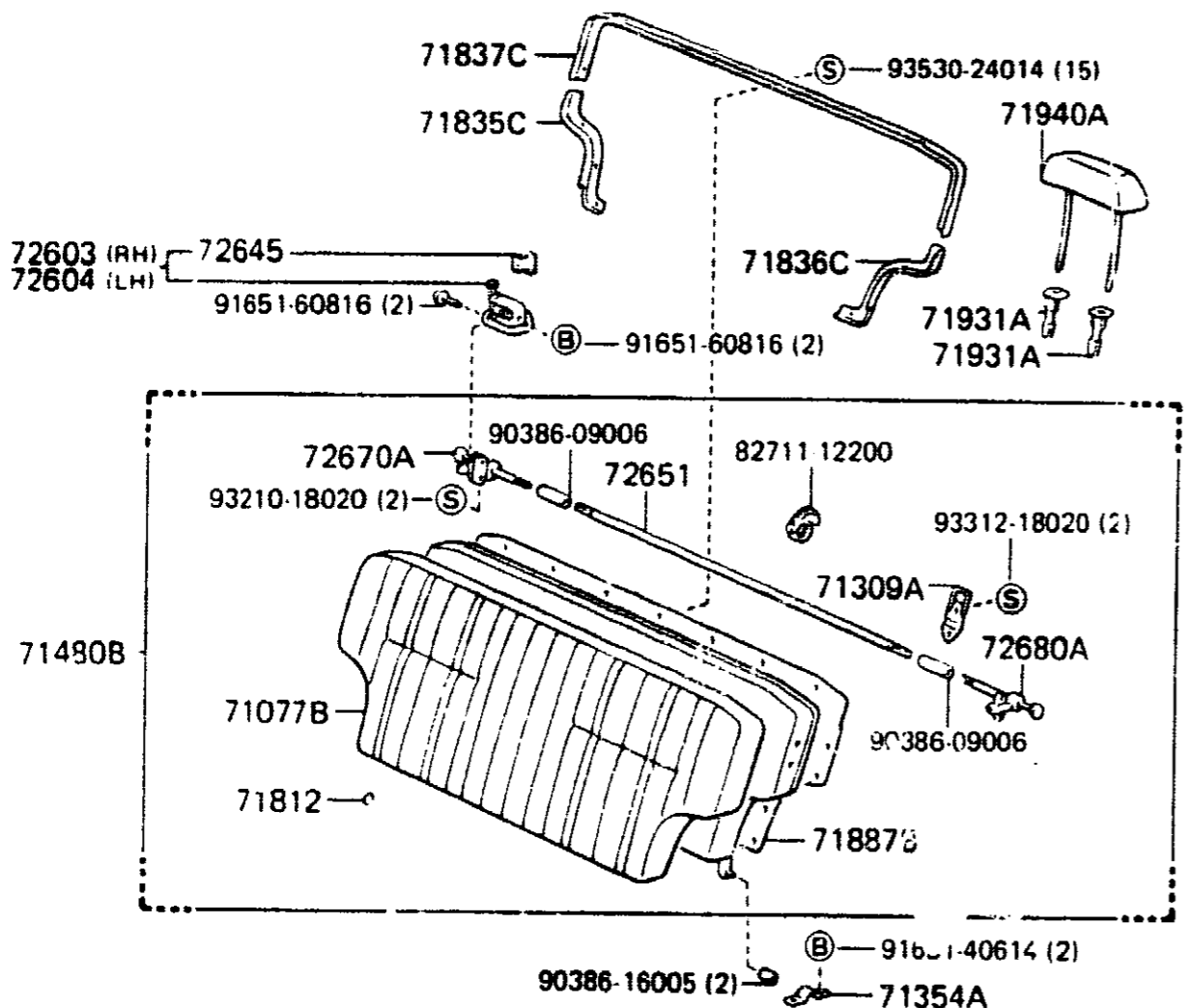
PROD. DATE	MODELS	DESCRIPTION	R/P	PART NUMBER	QTY.	REV. REF	
						F	T
	↔ 67603 CONTINUED FJ62..WGG	BOARD SUB-ASSY, REAR DOOR TRIM, RH SHADOW GRAY(TRIM1)		67630-90A33-03	1		
P 8808-9001	FJ62..WGG	SEPIA BROWN(TRIM4)		67630-90A33-06	1		
P 8808-9001	FJ62..CND	W(POWER WINDOW), SHADOW GRAY(TRIM1)		67630-90A36-03	1		
P 8808-9001	FJ62..WGG..USA	W(POWER WINDOW), SHADOW GRAY(TRIM1)		↗	1		
P 8808-9001	FJ62..CND	W(POWER WINDOW), SEPIA BROWN(TRIM4)		67630-90A36-06	1		
P 8808-9001	FJ62..WGG..USA	W(POWER WINDOW), SEPIA BROWN(TRIM4)		↗	1		
	↔ 67603A	RETAINER (FOR REAR DOOR TRIM BOARD)					
8708-9001	FJ62			67771-30060-	18		
	↔ 67604	BOARD SUB-ASSY, REAR DOOR TRIM, LH					
8708-8808	FJ62..CND	W(POWER WINDOW), SHADOW GRAY(TRIM1)		67640-90A25-03	1		
8708-8808	FJ62..USA	W(POWER WINDOW), SHADOW GRAY(TRIM1)		↗	1		
8708-8808	FJ62..CND	W(POWER WINDOW), SEPIA BROWN(TRIM4)		67640-90A25-06	1		
8708-8808	FJ62..USA	W(POWER WINDOW), SEPIA BROWN(TRIM4)		↗	1		
8708-8808	FJ62	SHADOW GRAY(TRIM1)		67640-90A28-03	1		
8708-8808	FJ62	SEPIA BROWN(TRIM4)		67640-90A28-06	1		
P 8808-9001	FJ62..WGG	SHADOW GRAY(TRIM1)		67640-90A34-03	1		
P 8808-9001	FJ62..WGG	SEPIA BROWN(TRIM4)		67640-90A34-06	1		
P 8808-9001	FJ62..CND	W(POWER WINDOW), SHADOW GRAY(TRIM1)		67640-90A37-03	1		
P 8808-9001	FJ62..WGG..USA	W(POWER WINDOW), SHADOW GRAY(TRIM1)		↗	1		

PROD. DATE	MODELS	DESCRIPTION	R/P	PART NUMBER	QTY.	REV. REF	
						F	T
	↔ 67604 CONTINUED FJ62..CND	BOARD SUB-ASSY, REAR DOOR TRIM, LH W(POWER WINDOW), SEPIA BROWN(TRIM4)		67640-90A37-06	1		
8808-9001	FJ62..CND						
P 8808-9001	FJ62..WGG..USA	W(POWER WINDOW), SEPIA BROWN(TRIM4)		↗	1		
	↔ 67841B	COVER, REAR DOOR SERVICE HOLE					
P 8708-8908	FJ62			67805-90A01-	2		
A 8908-9001	FJ62..WGG			↗	2		
	↔ 67867D	RETAINER, REAR DOOR WEATHERSTRIP, RH					
8708-9001	FJ62			67868-30040-	21		
	↔ 67868D	RETAINER, REAR DOOR WEATHERSTRIP, LH					
8708-9001	FJ62			67868-30040-	21		
	↔ 67871	WEATHERSTRIP, REAR DOOR, RH					
8708-9001	FJ62			67871-90A00-	1		
	↔ 67872	WEATHERSTRIP, REAR DOOR, LH					
8708-9001	FJ62			67872-90A00-	1		
	↔ 68103	GLASS SUB-ASSY, REAR DOOR, RH *TT, T=4.0					
8708-9001	FJ62			68113-90A01-	1		
	↔ 68104	GLASS SUB-ASSY, REAR DOOR, LH *TT, T=4.0					
8708-9001	FJ62			68114-90A01-	1		
	↔ 68123	GLASS, REAR DOOR WINDOW, RH *TT, T=4.0					
8708-9001	FJ62			68123-90A01-	1		

*TT=Tinted Tempered Glass

(8708-)

ILLUST.NO. 2 OF 2

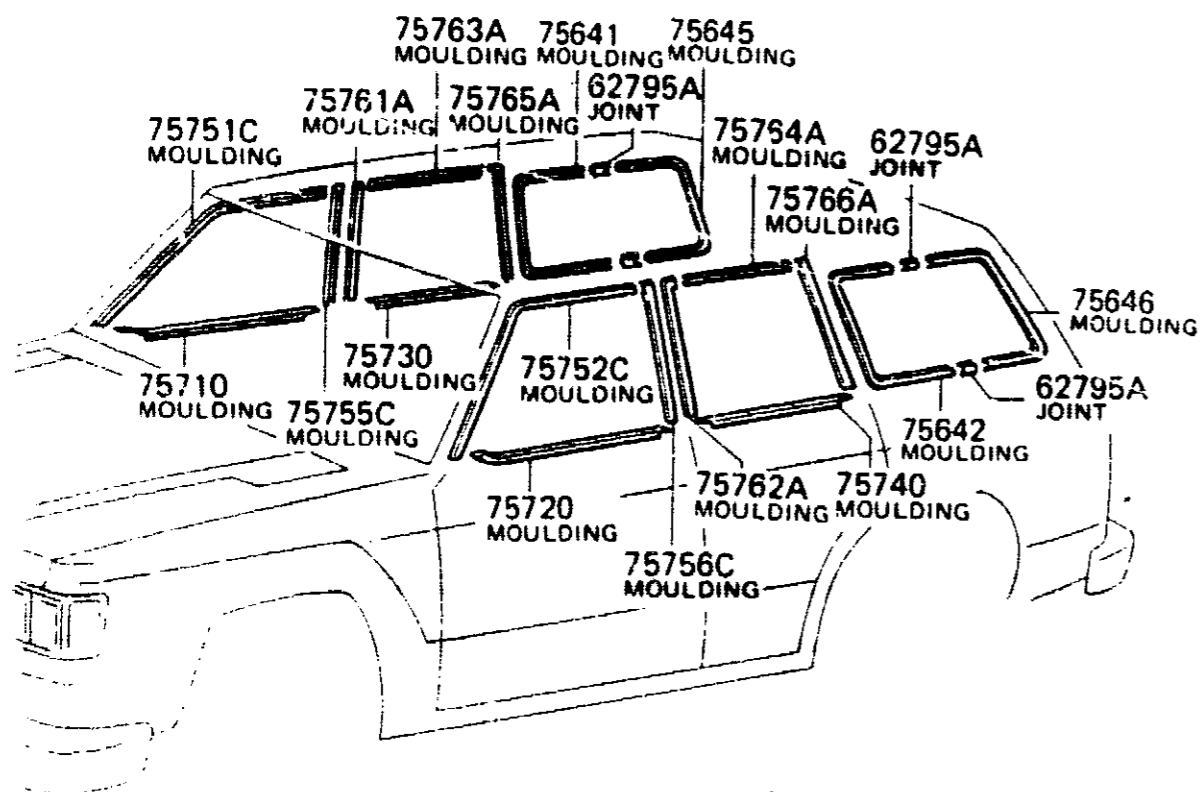
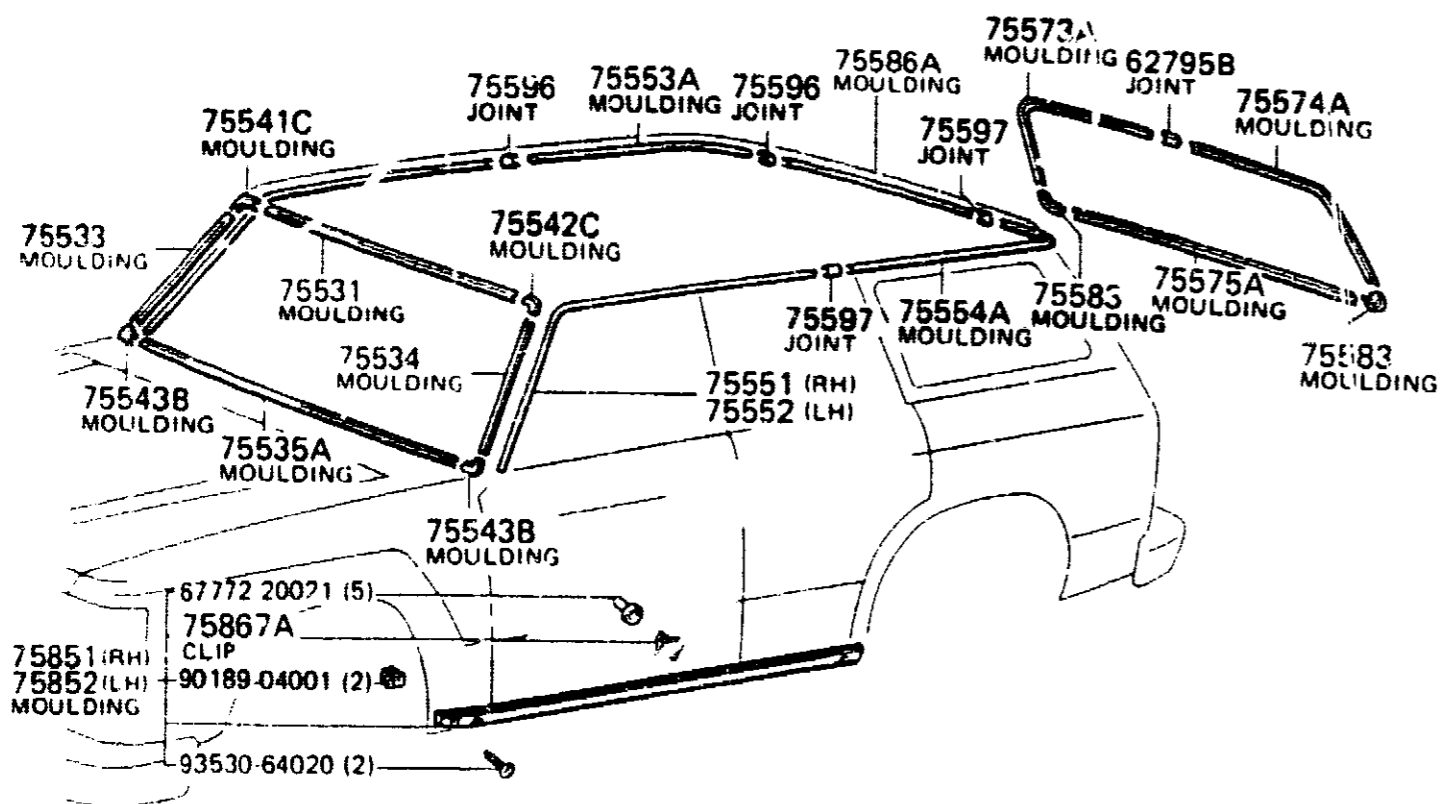


91651-60816 — B

MB M031-A

PROB. DATE	MODELS	DESCRIPTION	R / P	PART NUMBER	Q T Y.	REV. REF	
						F	T
		71071S COVER, FRONT SEAT CUSHION, RH (FOR SEPARATE TYPE)					
P 8708-9001	FJ62	SHADOW GRAY (TRIM1)		71071-90A35-03	1		
P 8708-9001	FJ62	SEPIA BROWN (TRIM4)		71071-90A35-06	1		
		71072S COVER, FRONT SEAT CUSHION, LH (FOR SEPARATE TYPE)					
P 8708-9001	FJ62	SHADOW GRAY (TRIM1)		71072-90A18-03	1		
P 8708-9001	FJ62	SEPIA BROWN (TRIM4)		71072-90A18-06	1		
		71073S COVER, FRONT SEAT BACK, RH (FOR SEPARATE TYPE)					
P 8708-9001	FJ62	SHADOW GRAY (TRIM1)		71073-90A44-03	1		
P 8708-9001	FJ62	SEPIA BROWN (TRIM4)		71073-90A44-06	1		
		71074S COVER, FRONT SEAT BACK, LH (FOR SEPARATE TYPE)					
P 8708-9001	FJ62	SHADOW GRAY (TRIM1)		71073-90A44-03	1		
P 8708-9001	FJ62	SEPIA BROWN (TRIM4)		71073-90A44-06	1		
		71075B COVER, REAR SEAT CUSHION (FOR BENCH TYPE)					
8708-9001	FJ62..WGG	SHADOW GRAY (TRIM1)		71075-90A18-03	1		
8708-9001	FJ62..WGG	SEPIA BROWN (TRIM4)		71075-90A18-06	1		
		71077B COVER, REAR SEAT BACK (FOR BENCH TYPE)					
P 8708-9001	FJ62..WGG	SHADOW GRAY (TRIM1)		71077-90A41-03	1		
P 8708-9001	FJ62..WGG	SEPIA BROWN (TRIM4)		71077-90A41-06	1		
		71301A HINGE SUB-ASSY, REAR SEAT CUSHION					
8708-9001	FJ62..WGG			71301-90A00-	2		
		71307C BRACKET SUB-ASSY, REAR SEAT CUSHION HOLDER					
8708-9001	FJ62..WGG			71307-90A00-	2		

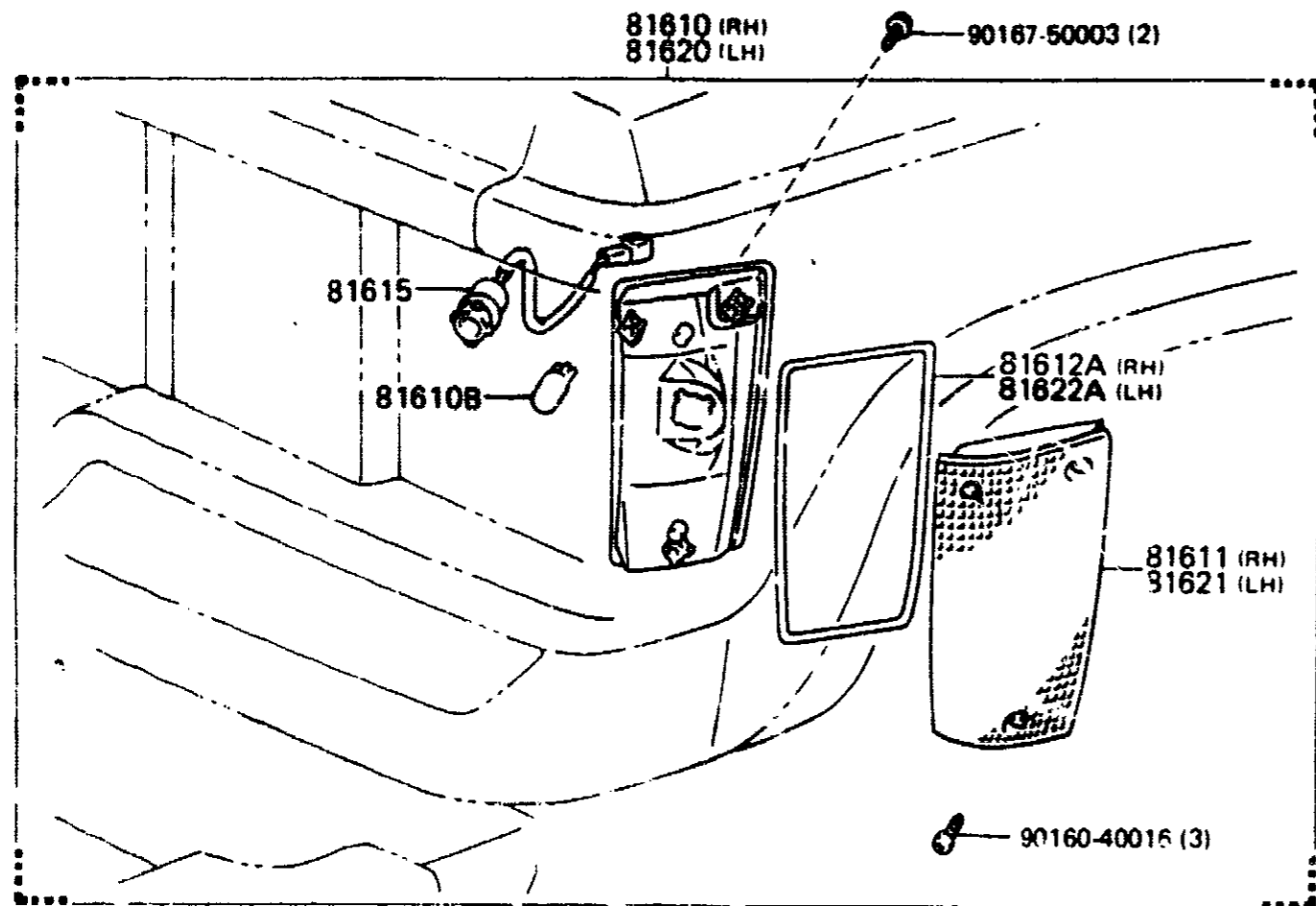
(8708-)



MB S570

PROD. DATE	MODELS	DESCRIPTION	R / P	PART NUMBER	Q T Y.	REV. REF	
						F	1
8708-9001	FJ62	COVER, QUARTER WINDOW MOULDING JOINT, RH		62795-90A00-	4		
8708-9001	FJ62	COVER, QUARTER WINDOW MOULDING JOINT, LH		62795-90A00-	1		
8708-9001	FJ62	MOULDING, WINDSHIELD, OUTER UPPER		75531-90A00-	1		
8708-9001	FJ62	MOULDING, WINDSHIELD, OUTSIDE RH		75533-90A00-	1		
8708-9001	FJ62	MOULDING, WINDSHIELD, OUTSIDE LH		75534-90A00-	1		
8708-9001	FJ62	MOULDING, WINDSHIELD, OUTSIDE LOWER		75535-90A00-	1		
8708-9001	FJ62	COVER, WINDSHIELD MOULDING JOINT, UPPER RH		75541-90A00-	1		
8708-9001	FJ62	COVER, WINDSHIELD MOULDING JOINT, UPPER LH		75541-90A00-	1		
8708-9001	FJ62	COVER, WINDSHIELD MOULDING JOINT, LOWER		75543-90A00-	2		
8708-9001	FJ62	MOULDING, ROOF DRIP SIDE FINISH, FRONT RH		75505-90A00-	1		

(8708-)



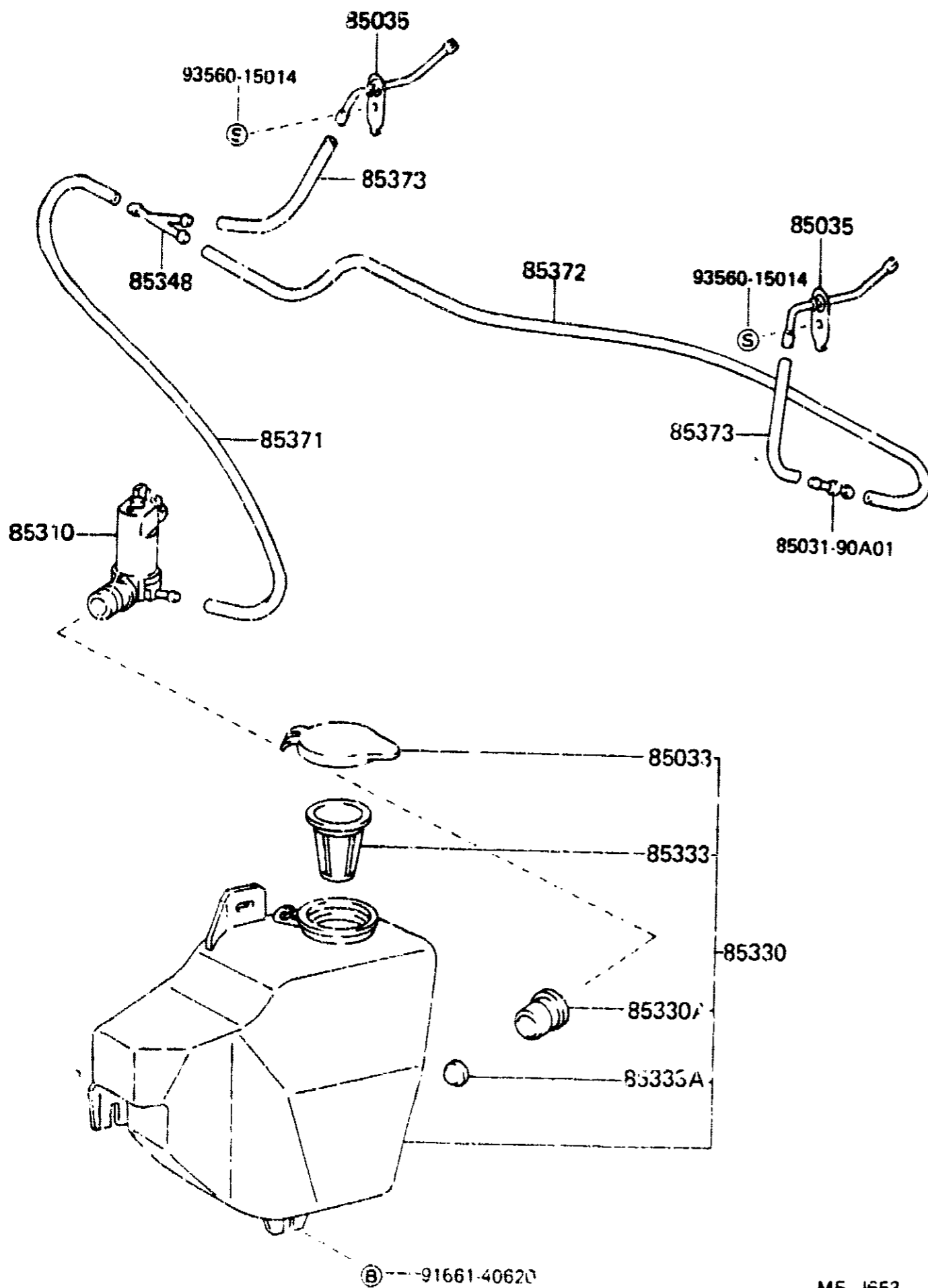
ME J476

PROJ. DATE	MODELS	DESCRIPTION	R / P	PART NUMBER	QTY.	REV. REF	
						F	T
P 8708-3001	FJ62	LAMP ASSY, PARKING AND CLEARANCE, RH		81610-90A03-	1		002
P 8708-9001	FJ62	BULB (FOR PARKING AND CLEARANCE LAMP) 12V 4.9W		90981-12010-	2		002
P 8708-9001	FJ62	LENS, PARKING AND CLEARANCE LAMP, RH		81611-90A00-	1		002
P 8708-9001	FJ62	GASKET, PARKING AND CLEARANCE LAMP LENS, RH		81612-90A00-	1		002
P 8708-9001	FJ62	SOCKET AND WIRE, CLEARANCE LAMP		81615-90A03-	2		002
P 8708-9001	FJ62	LAMP ASSY, PARKING AND CLEARANCE, LH		81620-90A03-	1		002
P 8708-9001	FJ62	LENS, PARKING AND CLEARANCE LAMP, LH		81621-90A00-	1		002
F 8708-9001	FJ62	GASKET, PARKING AND CLEARANCE LAMP LENS, LH		81622-90A00-	1		002

PROD. DATE	MODELS	DESCRIPTION	R/P	PART NUMBER	QTY.	REV. REF	
						F	T
8708-9001	FJ62	12V 1.2W OR 14V 1.4W		90981-11018-	1		
8708-9001	FJ62	12V 3.4W		99132-12034-	2		
8708-9001	FJ62	12V 3.4W		/	3		
8708-9001	FJ62	NO.1		83101-14040-	1		
8708-9001	FJ62	NO.2		83101-20040-	3		
8708-9001	FJ62	NO.3		83101-36010-	2		
8708-9001	FJ62			83247-90A05-	1		
8708-9001	FJ62			83110-90A46-	1		
8708-9001	FJ62			83110-90A47-	1		
8708-9001	FJ62			83132-90A04-	1		
8708-9001	FJ62			83134-90A06-	1		
8708-9001	FJ62			83138-90A00-	1		
8708-9001	FJ62			83145-90A01-	1		
8708-9001	FJ62			83145-90A02-	1		

PROD. DATE	MODELS	DESCRIPTION	R/P	PART NUMBER	QTY.	REV. REF	
						F	T
8708-9001	FJ62			83246-90A05-	1		
8708-9001	FJ62			83270-90A10-	1		
8708-9001	FJ62			83270-90A15-	1		
8708-9001	FJ62			83243-90A03-	1		
8708-9001	FJ62			83244-90A02-	1		
8708-9001	FJ62			83245-90A03-	1		
8708-8802	FJ62			# 83710-90A06- (83710-90A13-)	1		
8802-8807	FJ62			# 83710-90A13- (83710-90A20-)	1		
B 8807-9001	FJ62			83710-90A20-	1		
8708-9001	FJ62			90389-02001-	1		
8708-9001	FJ62			83910-90A11-	1		

(8708-)



ME J653

PROD. DATE	MODELS	DESCRIPTION	R / P	PART NUMBER	QTY.	REV. REF.	
						F	T
8708-9001	FJ62	85033 CAP ASSY, WINDSHIELD WASHER		85332-90A01-	1		
8708-9001	FJ62	85035 NOZZLE SUB-ASSY, WASHER		85341-90A05-	1		
8708-9001	FJ62		LH	85341-90A08-	1		
8708-9001	FJ62		RH		1		
8706-9001	FJ62	85310 MOTOR AND PUMP ASSY, WINDSHIELD WASHER		85310-14080-	1		
8708-9001	FJ62	85330 JAR ASSY, WINDSHIELD WASHER		85330-90A07-	1		
8708-9001	FJ62	85330A BUSH, WINDSHIELD WASHER JAR		90099-32103-	1		
8708-9001	FJ62	85333 FILTER, WINDSHIELD WASHER JAR		85333-60010-	1		
8708-9001	FJ62	85333A FILTER, WINDSHIELD WASHER JAR, NO.2		85333-20020-	1		
8708-9001	FJ62	85348 JOINT, WINDSHIELD WASHER HOSE		85348-89101-	1		
8708-9001	FJ62	85371 HOSE, WINDSHIELD WASHER (FROM MOTOR TO JOINT OR NOZZLE)		90099-33332-	1		
8708-9001	FJ62	85372 HOSE, WINDSHIELD WASHER (FROM JOINT TO JOINT OR NOZZLE)		90099-33332-	1		

*H,L=Cut hose to length as specified in remarks

1. MODELS COVERED & CHARACTERISTICS**D15****TOYOTA LAND CRUISER Station Wagon (Production from Aug. '87 up to Jan. '90)****TOYOTA LAND CRUISER Station Wagon**

Model	Engine	Production Period	Characteristic Expressions in Catalog Model Column		Model Name
FJ62LV-PNEA	3F-E	8708-8808	WGV	USA	Station Wagon
FJ62LG-PNEA	"	8708-9001	WGG	"	"
" PNEK	"	8708-9001	"	CND	"

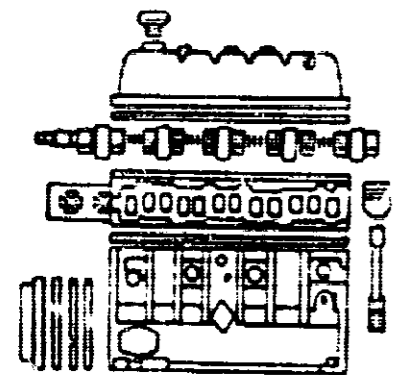
WGV Station Wagon

WGG Station Wagon G type

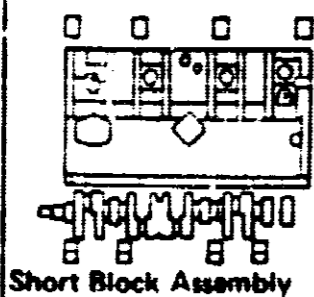
USA For United States of America

CND For Canada

1C1 (11-01)

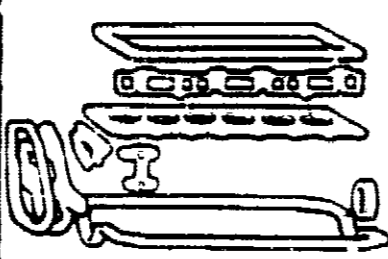


1D1 (11-02)



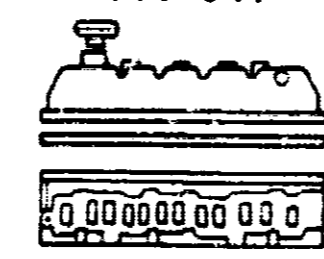
Short Block Assembly

1E1 (11-03)



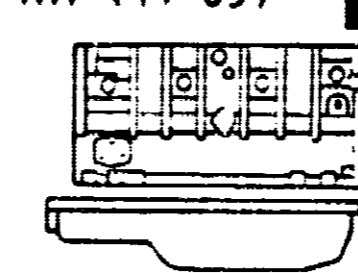
Overhaul Gasket Kit

1F1 (11-04)



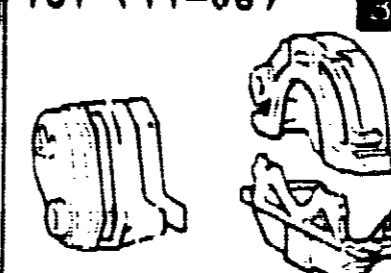
Cylinder Head

1H1 (11-05)



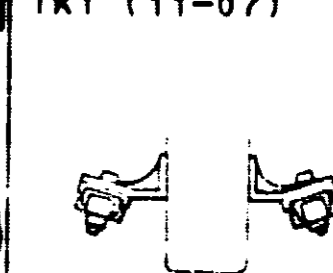
Cylinder Block

1J1 (11-06)



Gear Cover & End Plates

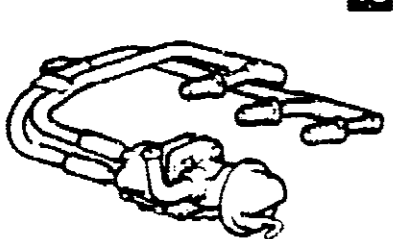
1K1 (11-07)



Mounting

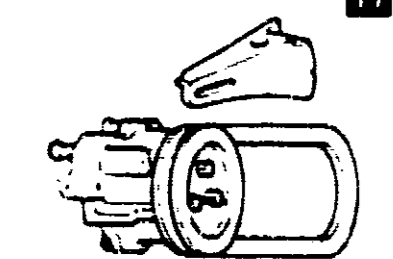
Partial Engine Assembly

1I3 (17-06)



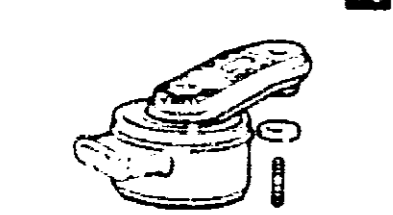
Manifold Air System

1H3 (17-05)



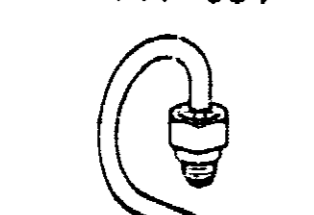
Air Pump

1F3 (17-05)



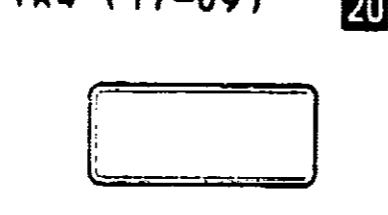
Air Cleaner

1K3 (17-08)



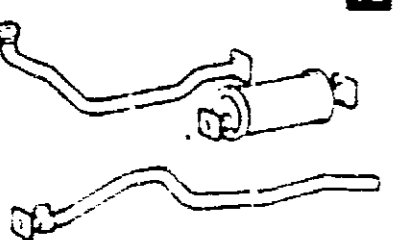
Vacuum Piping

1A4 (17-09)



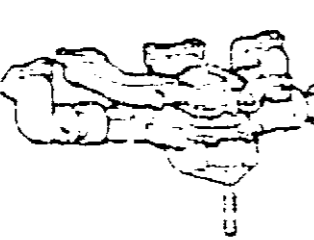
Caution Plate

1D3 (17-02)



Exhaust Pipe

1B3 (17-01)



Manifold

1A3 (16-05)



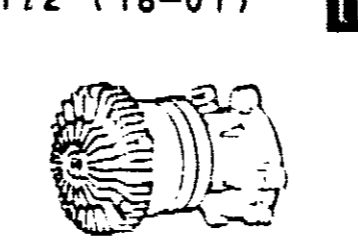
V Belt

1J2 (16-03)



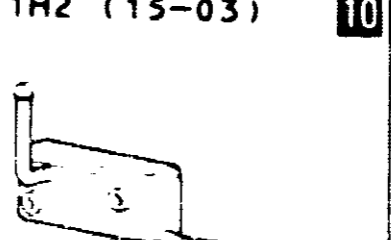
Radiator & Fan

1I2 (16-01)



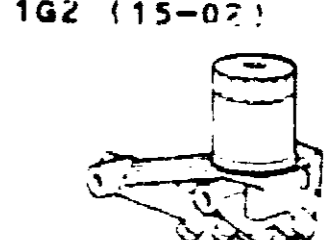
Water Pump

1H2 (15-03)



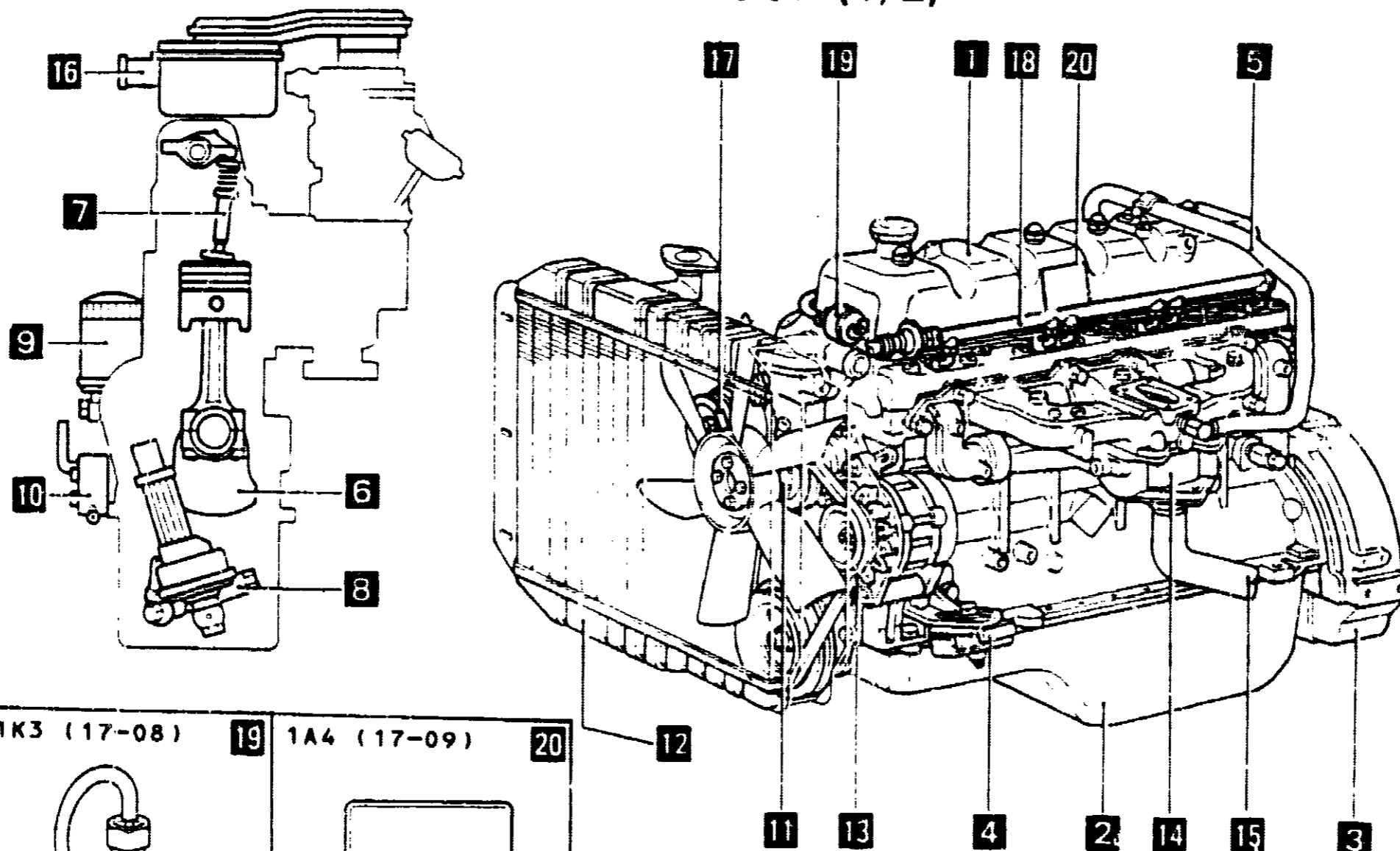
Oil Cooler

1G2 (15-02)

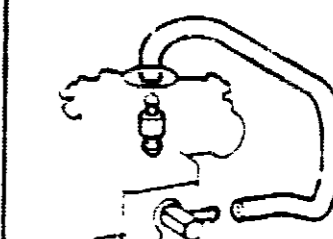


Oil Filter

ENGINE GROUP (1/2)



1L1 (12-01)



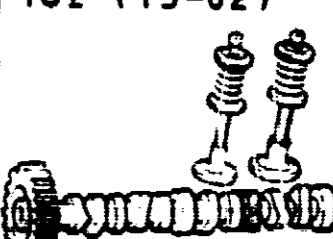
Ventilation Ho...

1M1 (13-01)



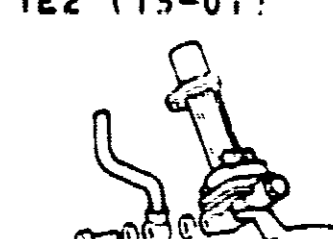
Crankshaft & Piston

1C2 (13-02)



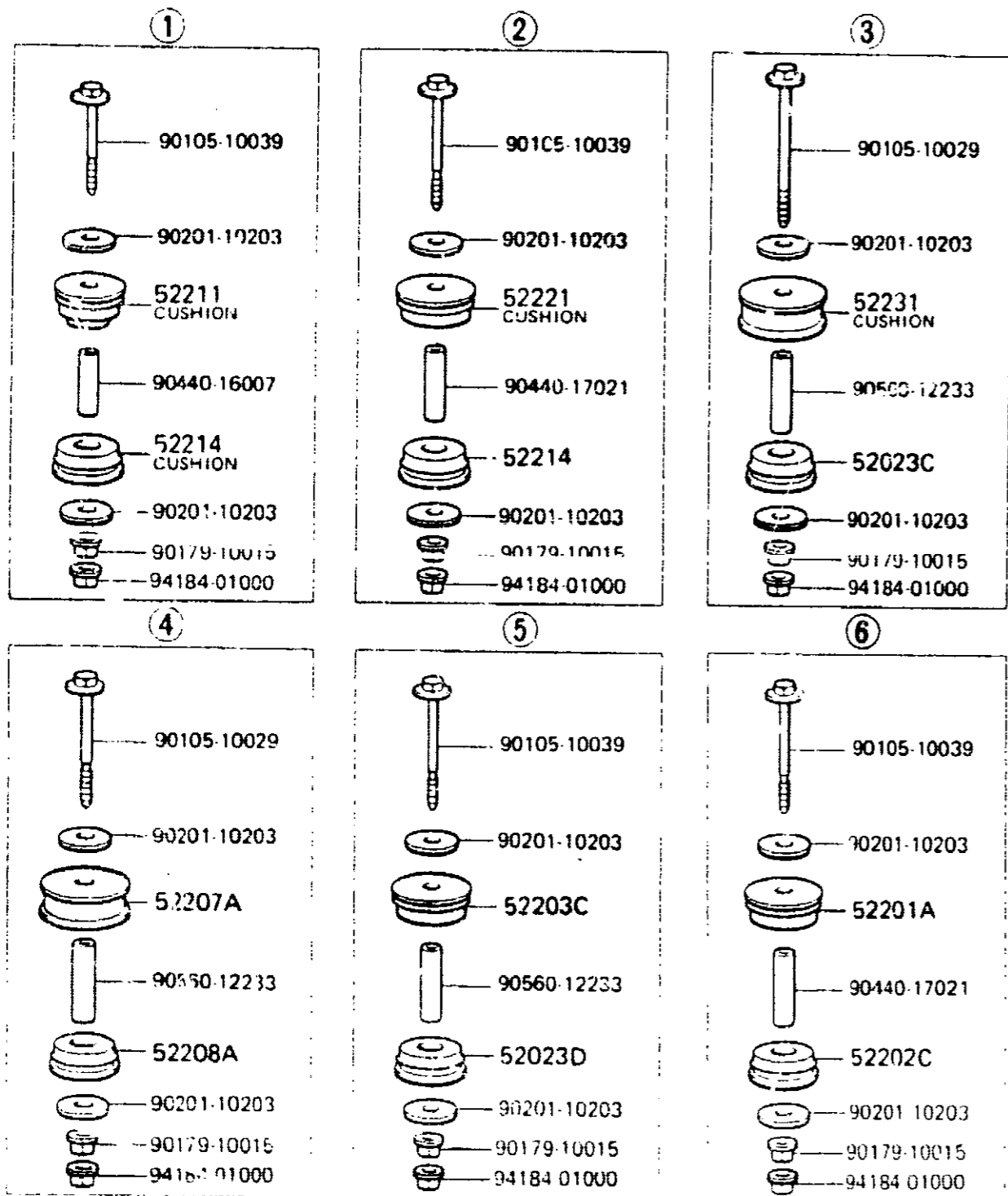
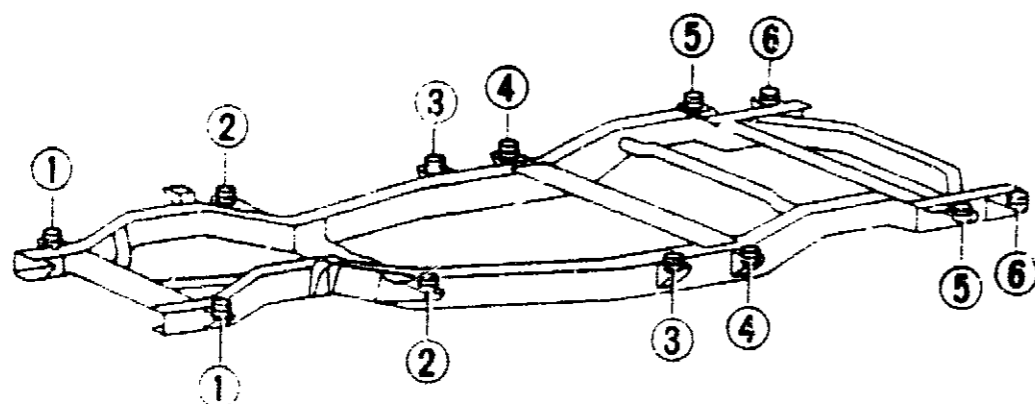
Camshaft & Valve

1E2 (15-01)



Oil Pump

(8708-)



MB L860

PROD. DATE	MODELS	DESCRIPTION	R / P	PART NUMBER	Q T Y.	REV. REF	
						F	T
8708-9001	FJ62	52023C CUSHION SUB-ASSY, NO.3 BODY MOUNTING LOWER		52023-60011-	2		
8708-9001	FJ62	52023D CUSHION SUB-ASSY, NO.3 BODY MOUNTING, LOWER		52023-60011-	2		
8708-9001	FJ62	52201A CUSHION SUB-ASSY, CAB FRONT MOUNTING		52201-25020-	2		
8708-9001	FJ62	52202C CUSHION SUB-ASSY, CAB FR MOUNTING, LWR		52202-25020-	2		
8708-9001	FJ62	52203C CUSHION SUB-ASSY, CAB MOUNTING, NO.2 UPPER		52203-60030-	2		
8708-9001	FJ62	52207A CUSHION SUB-ASSY, CAB MOUNTING, NO.4 UPPER		52207-60010-	2		
8708-9001	FJ62	52208A CUSHION SUB-ASSY, CAB MOUNTING, NO.4 LOWER		52208-60010-	2		
8708-9001	FJ62	52211 CUSHION, BODY MOUNT, NO.1 UPPER		52201-35021-	2		
8708-9001	FJ62	52214 CUSHION, BODY MOUNT, NO.1 LOWER	RR	52202-25020-	2		
8708-9001	FJ62	52214 CUSHION, BODY MOUNT, NO.1 LOWER	FR	52202-35021-	2		
8708-9001	FJ62	52221 CUSHION, BODY MOUNT, NO.2 UPPER		52201-25020-	2		

PROD. DATE	MODELS	DESCRIPTION	R/P	PART NUMBER	QTY.	REV. REF.	
						F	T
	I 55539A I	COVER, SPARE SWITCH HOLE					
P 8708-9001	FJ62	SHADOW GRAY(TRIM1)		55539-20020-13	3		
P 8708-9001	FJ62..USA	SHADOW GRAY(TRIM1)		/	4		
P 8708-9001	FJ62	SEPIA BROWN(TRIM4)		55539-20020-26	3		
P 8708-9001	FJ62..USA	SEPIA BROWN(TRIM4)		/	4		
	I 58825A I	POCKET, CONSOLE BOX					
P 8708-9001	FJ62	SHADOW GRAY(TRIM1)		58825-90A01-03	1		
P 8708-9001	FJ62	SEPIA BROWN(TRIM4)		58825-90A01-06	1		
	I 58841A I	COVER, SHIFTING HOLE					
P 8708-9001	FJ62	SHADOW GRAY(TRIM1)		58841-90A01-03	1		
P 8708-9001	FJ62	SEPIA BROWN(TRIM4)		58841-90A01-06	1		
	I 58901B I	PLUG, HOLE(FOR REAR CONSOLE BOX)					
P 8708-9001	FJ62	SHADOW GRAY(TRIM1)		90950-01073-03	4		
P 8708-9001	FJ62	SEPIA BROWN(TRIM4)		90950-01073-06	4		
	I 58905 I	DOOR SUB-ASSY, CONSOLE COMPARTMENT					
P 8708-9001	FJ62	SHADOW GRAY(TRIM1)		58951-90A01-03	1		
P 8708-9001	FJ62	SEPIA BROWN(TRIM4)		58951-90A01-06	1		
	I 58910C I	BOX ASSY, CONSOLE, REAR					
P 8708-9001	FJ62..USA	SHADOW GRAY(TRIM1)		58911-90A02-03	1		
P 8708-9001	FJ62..USA	SEPIA BROWN(TRIM4)		58911-90A02-06	1		
P 8708-9001	FJ62	W(REAR HEATER), SHADOW GRAY(TRIM1)		58911-90A03-03	1		
P 8708-9001	FJ62	W(REAR HEATER), SEPIA BROWN(TRIM4)		58911-90A03-06	1		

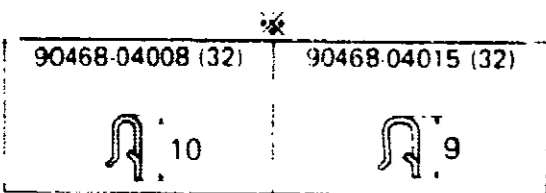
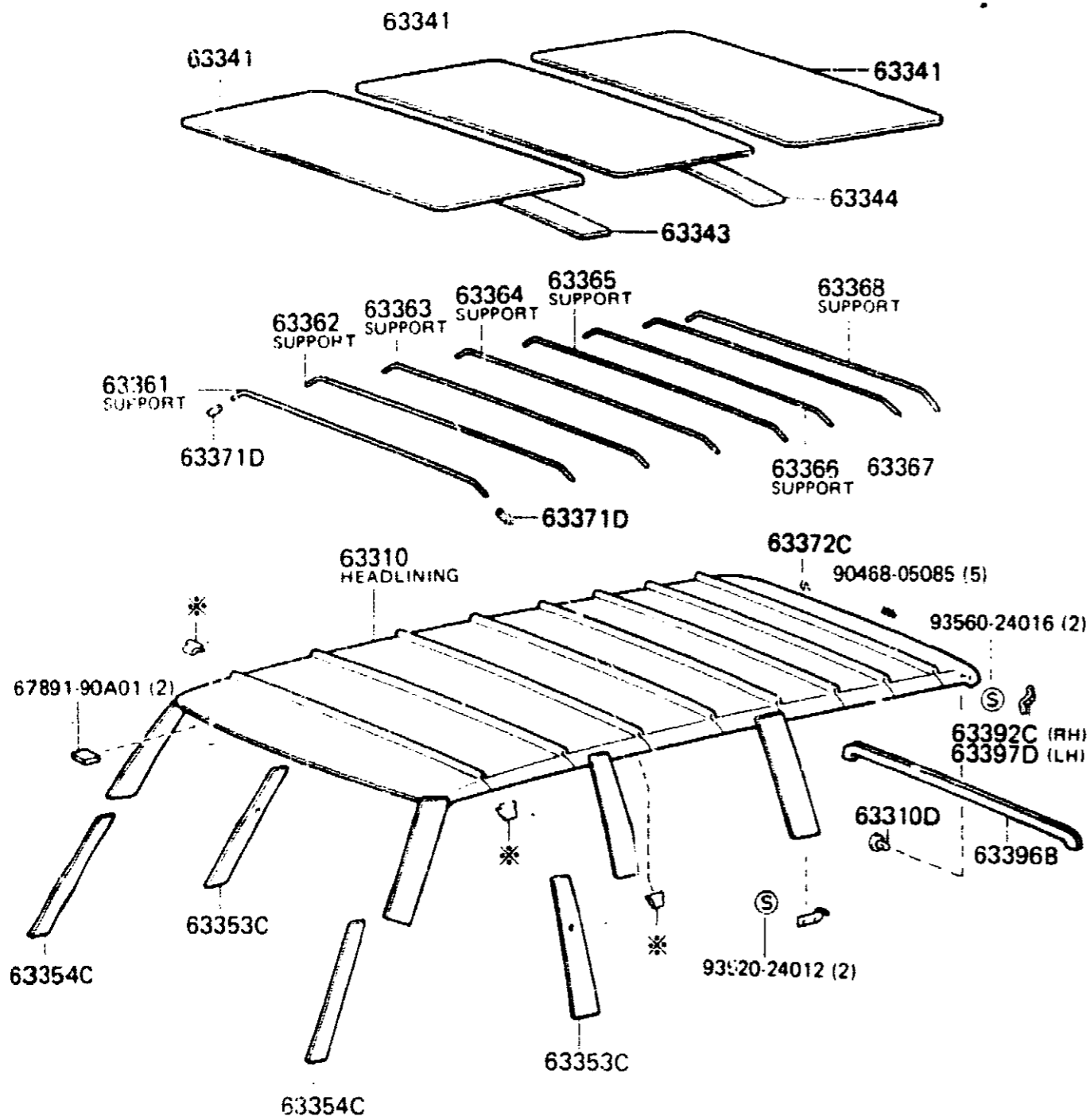
PROD. DATE	MODELS	DESCRIPTION	R/P	PART NUMBER	QTY.	REV. REF.	
						F	T
	I 58910C I	BOX ASSY, CONSOLE, REAR					
P 8708-9001	FJ62	CONTINUED					
P 8708-9001	FJ62	W(DIFFERENTIAL LOCK), SHADOW GRAY(TRIM1)		58911-90A05-03	1		
P 8708-9001	FJ62	W(DIFFERENTIAL LOCK), SEPIA BROWN(TRIM4)		58911-90A05-06	1		
P 8708-9001	FJ62..USA	W(DEFFERENTIAL LOCK), SHADOW GRAY(TRIM1)		58911-90A06-03	1		
P 8708-9001	FJ62..USA	W(DEFFERENTIAL LOCK), SEPIA BROWN(TRIM4)		58911-90A06-06	1		
	I 58910D I	CLIP(FOR CONSOLE BOX)					
8708-9001	FJ62	GRAY(TRIM1)		90467-07041-03	2		
P 8708-9001	FJ62	SEPIA BROWN(TRIM4)		90467-07041-06	2		
	I 58918A I	BRACKET, BOX SUPPORT					
8708-9001	FJ62			58918-90A00-	1		
	I 58944A I	COVER, CONSOLE, REAR					
P 8708-9001	FJ62..USA	SHADOW GRAY(TRIM1)		58944-90A00-03	1		
P 8708-9001	FJ62..USA	SEPIA BROWN(TRIM4)		58944-90A00-06	1		
P 8708-9001	FJ62	W(REAR HEATER), SHADOW GRAY(TRIM1)		58944-90A01-03	1		
P 8708-9001	FJ62	W(REAR HEATER), SEPIA BROWN(TRIM4)		58944-90A01-06	1		
	I 58947 I	COVER, DIFFERENTIAL LOCK LEVER					
P 8708-9001	FJ62	SHADOW GRAY(TRIM1)		58947-90A03-03	1		
P 8708-9001	FJ62	SEPIA BROWN(TRIM4)		58947-90A03-06	1		

FIG. 64-52 ROOF HEADLINING & SILENCER PAD

3E4

791430M-01280

(8708-)



MB L990

PROD. DATE	MODELS	DESCRIPTION	R / P	PART NUMBER	QTY.	REV. REF	
						F	T
P 8708-9001	FJ62	63310 HEADLINING ASSY, ROOF		63310-90A11-08	1		
		IVORY (TRIM1, 4)					
8708-9001	FJ62	63310D CLIP, ROOF HEADLINING		90467-06161-18	2		
		IVORY (TRIM1, 4)					
8708-9001	FJ62	63341 PAD, ROOF SILENCER, NO.1		63341-90A01-	3		
8708-9001	FJ62	63343 PAD, ROOF SILENCER, NO.3		63343-90A01-	2		
8708-9001	FJ62	63344 PAD, ROOF SILENCER, NO.4		63344-90A01-	1		
8708-9001	FJ62	63353C PAD, ROOF HEADLINING, CTR		63353-90A00-	2		
8708-9001	FJ62	63354C PAD, ROOF HEADLINING FRONT SIDE		63354-90A00-	2		
8708-3001	FJ62	63361 SUPPORT, ROOF HEADLINING, NO.1		63361-90A00-	1		
			MARK=BLUE				
8708-9001	FJ62	63361 SUPPORT, ROOF HEADLINING, NO.1		63361-90A01-	1		
			MARK=RED				
8708-3001	FJ62	63361 SUPPORT, ROOF HEADLINING, NO.1		63361-90A02-	1		
			MARK=YELLOW				
8708-9001	FJ62	63362 SUPPORT, ROOF HEADLINING, NO.2		63361-90A00-	1		
			MARK=BLUE				
8708-9001	FJ62	63362 SUPPORT, ROOF HEADLINING, NO.2		63361-90A01-	1		
			MARK=RED				
8708-9001	FJ62	63362 SUPPORT, ROOF HEADLINING, NO.2		63361-90A02-	1		
			MARK=YELLOW				

PROD. DATE	MODELS	DESCRIPTION	R / P	PART NUMBER	Q T Y.	REV. REF	
						F	T
8708-9001	← 68124 → FJ62	GLASS, REAR DOOR WINDOW, LH *TT, T=4.0		68124-90A01-	1		
8708-9001	← 68142 → FJ62	RUN, REAR DOOR GLASS		68142-90A01-	2		
8708-9001	← 68188 → FJ62	WEATHERSTRIP, REAR DOOR QUARTER WINDOW, RH		68188-90A00-	1		
8708-9001	← 68189 → FJ62	WEATHERSTRIP, REAR DOOR QUARTER WINDOW, LH		68189-90A00-	1		
8708-9001	← 68190 → FJ62	WEATHERSTRIP ASSY, REAR DOOR GLASS, INNER		68190-90A01-	2		
8708-9001	← 68617A → FJ62	PIN, REAR DOOR CHECK		68617-90A01-	2		
8708-9001	← 68630 → FJ62	CHECK ASSY, REAR DOOR		68630-90A00-	2		
8708-9001	← 69751F → FJ62	HOLDER, REAR DOOR LOCK CONTROL KNOB		69751-20040-	2		

PROD. DATE	MODELS	DESCRIPTION	R / P	PART NUMBER	Q T Y.	REV. REF	
						F	T

*TT = Tinted Tempered Glass

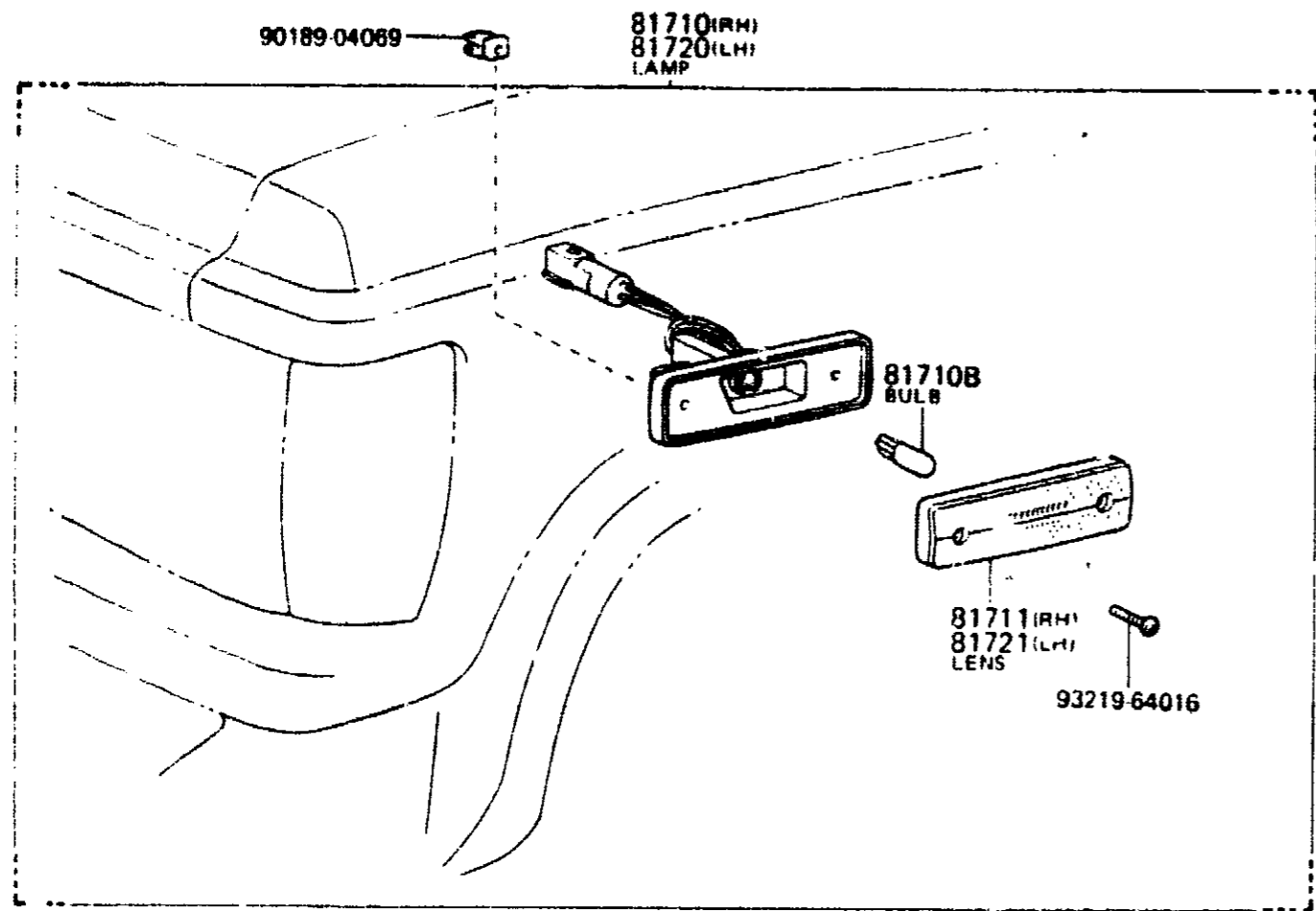
PROD. DATE	MODELS	DESCRIPTION	R / P	PART NUMBER	Q T Y.	REV. REF	
						F	T
8708-9001	↔ 71309A ↔ FJ62..WGG	BRACKET SUB-ASSY, REAR SEAT BACK HOLDER		71309-90A00-	2		
8708-9001	↔ 71354A ↔ FJ62..WGG	PLATE, REAR SEAT BACK SET		71354-90A00-	2		
P 8708-9001	↔ 71410S ↔ FJ62	CUSHION ASSY, FRONT SEAT, RH (FOR SEPARATE TYPE) SHADOW GRAY(TRIM1)		71410-90A33-03	1		
P 8708-9001	↔ 71410S ↔ FJ62	SEPIA BROWN(TRIM4)		71410-90A33-06	1		
P 8708-9001	↔ 71420S ↔ FJ62	CUSHION ASSY, FRONT SEAT, LH (FOR SEPARATE TYPE) SHADOW GRAY(TRIM1)		71420-90A31-03	1		
P 8708-9001	↔ 71420S ↔ FJ62	SEPIA BROWN(TRIM4)		71420-90A31-06	1		
P 8708-9001	↔ 71430S ↔ FJ62	BACK ASSY, FRONT SEAT, RH (FOR SEPARATE TYPE) SHADOW GRAY(TRIM1)		71430-90A39-03	1		
P 8708-9001	↔ 71430S ↔ FJ62	SEPIA BROWN(TRIM4)		71430-90A39-06	1		
P 8708-9001	↔ 71440S ↔ FJ62	BACK ASSY, FRONT SEAT, LH (FOR SEPARATE TYPE) SHADOW GRAY(TRIM1)		71440-90A37-03	1		
P 8708-9001	↔ 71440S ↔ FJ62	SEPIA BROWN(TRIM4)		71440-90A37-06	1		
P 8708-9001	↔ 71460B ↔ FJ62..WGG	CUSHION ASSY, REAR SEAT (FOR BENCH TYPE) SHADOW GRAY(TRIM1)		71460-90G12-03	1		
P 8708-9001	↔ 71460B ↔ FJ62..WGG	SEPIA BROWN(TRIM4)		71460-90G12-06	1		
P 8708-9001	↔ 71480B ↔ FJ62..WGG	BACK ASSY, REAR SEAT (FOR BENCH TYPE) SHADOW GRAY(TRIM1)		71480-90G28-03	1		
P 8708-9001	↔ 71480B ↔ FJ62..WGG	SEPIA BROWN(TRIM4)		71480-90G28-06	1		

PROD. DATE	MODELS	DESCRIPTION	R / P	PART NUMBER	Q T Y.	REV. REF	
						F	T
8708-9001	↔ 71739 ↔ FJ62..WGG	CUSHION, SEAT SUPPORT		71739-90A00-	3		
8708-9001	↔ 71812 ↔ FJ62..WGG	CLIP (FOR FRONT SEAT CUSHION COVER)		90468-18071-	29		
8708-9001	↔ 71812 ↔ FJ62..WGG	"		"	41		
8708-9001	↔ 71812A ↔ FJ62	RING, HOG, SMALL (FOR FRONT SEAT)		90468-18071-	18		
8708-9001	↔ 71812A ↔ FJ62	"		"	32		
P 8708-9001	↔ 71825B ↔ FJ62..WGG	MOULDING, REAR SEAT CUSHION, RH GRAY(TRIM1)		71825-90A00-03	1		
P 8708-9001	↔ 71825B ↔ FJ62..WGG	SEPIA BROWN(TRIM4)		71825-90A00-16	1		
P 8708-9001	↔ 71826B ↔ FJ62..WGG	MOULDING, REAR SEAT CUSHION, LH GRAY(TRIM1)		71826-90A00-03	1		
P 8708-9001	↔ 71826B ↔ FJ62..WGG	SEPIA BROWN(TRIM4)		71826-90A00-16	1		
P 8708-9001	↔ 71827B ↔ FJ62..WGG	MOULDING, REAR SEAT CUSHION, FRONT GRAY(TRIM1)		71827-90A00-03	1		
P 8708-9001	↔ 71827B ↔ FJ62..WGG	SEPIA BROWN(TRIM4)		71827-90A00-16	1		
P 8708-9001	↔ 71828B ↔ FJ62..WGG	MOULDING, REAR SEAT CUSHION, REAR RH GRAY(TRIM1)		71828-90A00-03	1		
P 8708-9001	↔ 71828B ↔ FJ62..WGG	SEPIA BROWN(TRIM4)		71828-90A00-16	1		
P 8708-9001	↔ 71829B ↔ FJ62..WGG	MOULDING, REAR SEAT CUSHION, REAR LH GRAY(TRIM1)		71829-90A00-03	1		
P 8708-9001	↔ 71829B ↔ FJ62..WGG	SEPIA BROWN(TRIM4)		71829-90A00-16	1		

PROD. DATE	MODELS	DESCRIPTION	R / P	PART NUMBER	Q T Y.	REV. REF	
						F	T
8708-9001	↔ 75552 ↔ FJ62	MOULDING, ROOF DRIP SIDE FINISH, FRONT LH		75506-90A00-	1		
8708-9001	↔ 75553A ↔ FJ62	MOULDING, ROOF DRIF SIDE FINISH, REAR RH		75553-90A00-	1		
8708-9001	↔ 75554A ↔ FJ62	MOULDING, ROOF DRIP SIDE FINISH, REAR LH		75554-90A00-	1		
8708-9001	↔ 75573A ↔ FJ62	MOULDING, BACK WINDOW, OUTSIDE RH		75812-90A00-	1		
8708-9001	↔ 75574A ↔ FJ62	MOULDING, BACK WINDOW, OUTSIDE LH		75813-90A00-	1		
8708-9001	↔ 75575A ↔ FJ62	MOULDING, BACK WINDOW, OUTSIDE LOWER		75575-90A00-	1		
8708-9001	↔ 75583 ↔ FJ62	COVER, BACK WINDOW MOULDING JOINT, LOWER		75583-90A00-	2		
8708-9001	↔ 75586A ↔ FJ62	MOULDING, ROOF DRIP, REAR		75586-90A00-	1		
8708-9001	↔ 75596 ↔ FJ62	COVER, ROOF DRIP SIDE FINISH MOULDING JOINT, RH		75596-90A00-	2		
8708-9001	↔ 75597 ↔ FJ62	COVER, ROOF DRIP SIDE FINISH MOULDING JOINT, LH		75596-90A00-	2		

PROD. DATE	MODELS	DESCRIPTION	R / P	PART NUMBER	Q T Y.	REV. REF	
						F	T
8708-9001	↔ 75641 ↔ FJ62	MOULDING, QUARTER WINDOW, OUTSIDE FRONT RH		75641-90A00-	1		
8708-9001	↔ 75642 ↔ FJ62	MOULDING, QUARTER WINDOW, OUTSIDE FRONT LH		75642-90A00-	1		
8708-9001	↔ 75645 ↔ FJ62	MOULDING, QUARTER WINDOW, OUTSIDE REAR RH		75645-90A00-	1		
8708-9001	↔ 75646 ↔ FJ62	MOULDING, QUARTER WINDOW, OUTSIDE REAR LH		75646-90A00-	1		
8708-9001	↔ 75710 ↔ FJ62	MOULDING ASSY, FRONT DOOR BELT, RH		75710-90A02-	1		
8708-9001	↔ 75720 ↔ FJ62	MOULDING ASSY, FRONT DOOR BELT, LH		75720-90A02-	1		
8708-9001	↔ 75730 ↔ FJ62	MOULDING ASSY, REAR DOOR BELT, RH		75730-90A01-	1		
8708-9001	↔ 75740 ↔ FJ62	MOULDING ASSY, REAR DOOR BELT, LH		75740-90A01-	1		
8708-9001	↔ 75751C ↔ FJ62	MOULDING, FRONT DOOR WINDOW FRAME, FRONT RH		75751-90A00-	1		
8708-9001	↔ 75752C ↔ FJ62	MOULDING, FRONT DOOR WINDOW FRAME, FRONT LH		75752-90A00-	1		

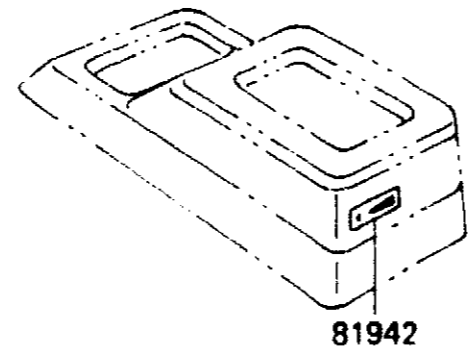
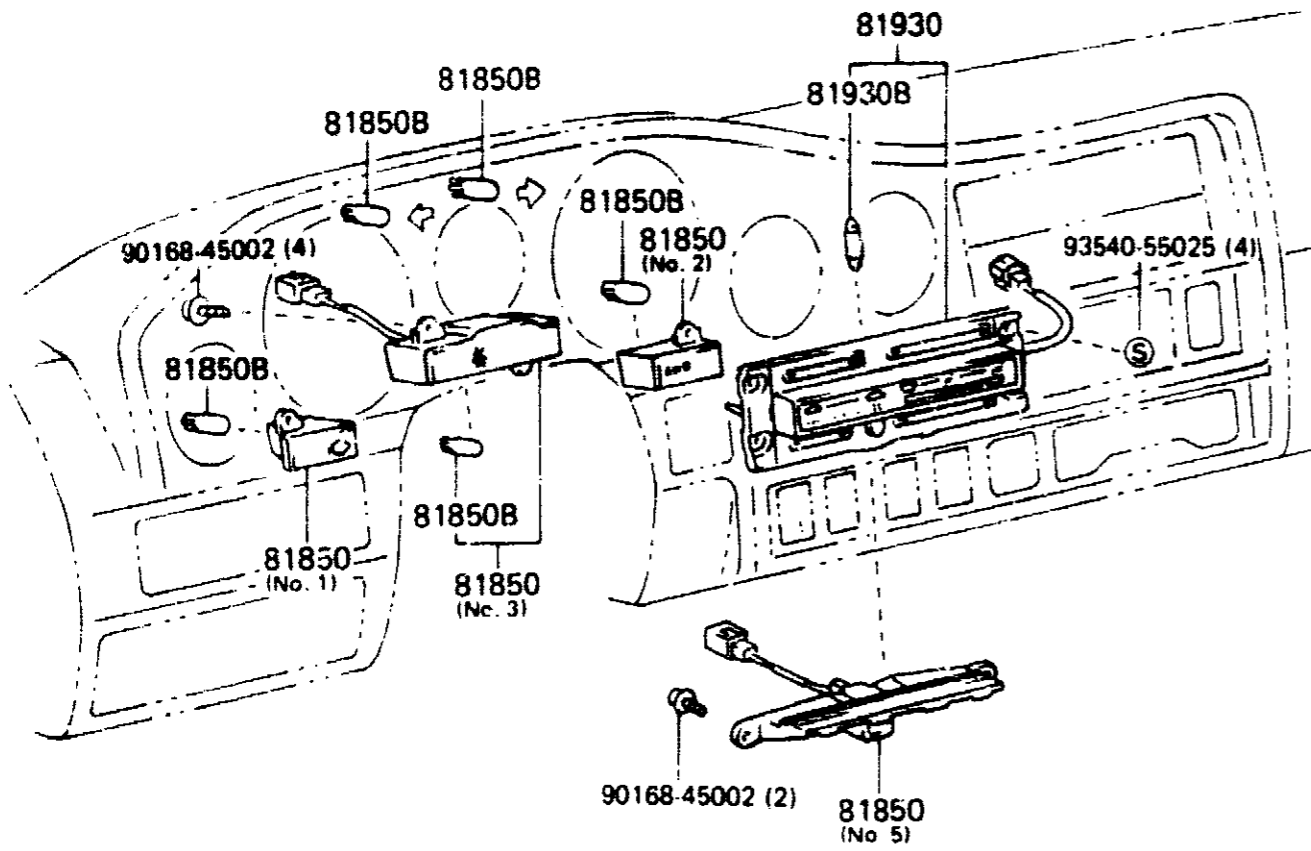
(8708-



ME J491

PROB. DATE	MODELS	DESCRIPTION	R / P	PART NUMBER	QTY.	REV. REF	
						F	T
	1 81710	1 LAMP ASSY, FRONT MARKER, RH					
P 8708-8902	FJ62			81730-14110-	1		002
A 8902-9001	FJ62..WGG			81730-90A05-	1		
	1 81710B	1 BULB, FRONT MARKER LAMP					
P 8708-9001	FJ62	12V 3.8W		90981-11020-	2		002
	1 81711	1 LENS, FRONT MARKER LAMP, RH					
P 8708-9001	FJ62			81731-14110-	1		002
	1 81720	1 LAMP ASSY, FRONT MARKER, LH					
P 8708-8902	FJ62			81740-14110-	1		002
A 8902-9001	FJ62..WGG			81740-90A05-	1		
	1 81721	1 LENS, FRONT MARKER LAMP, LH					
P 8708-9001	FJ62			81741-14110-	1		002

(8708-)



ME J618

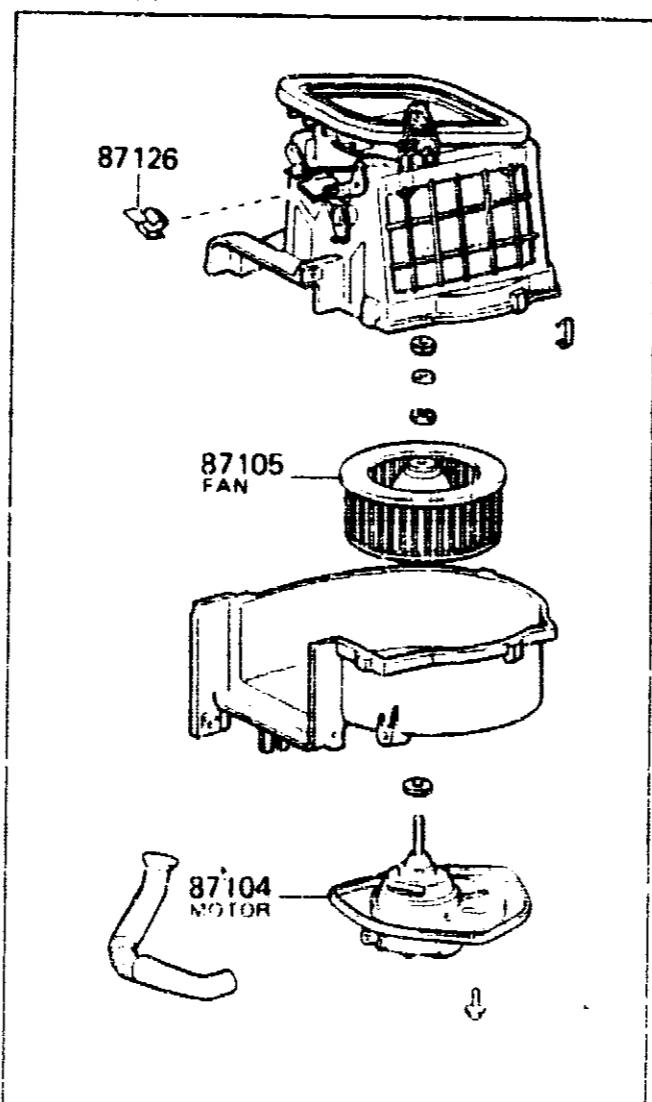
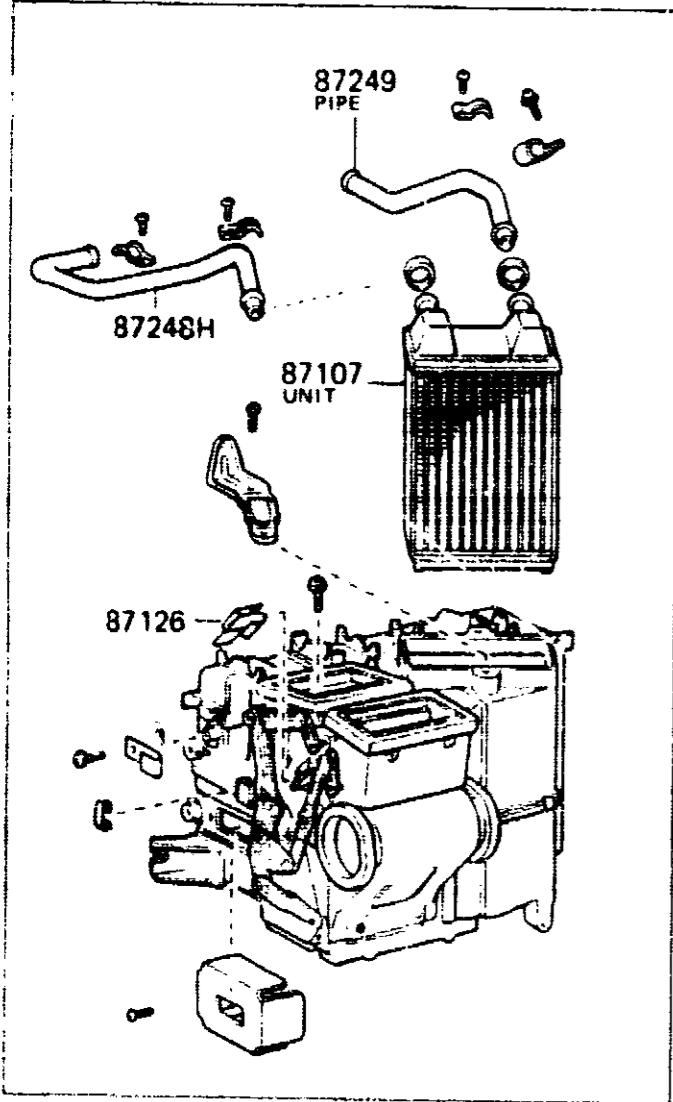
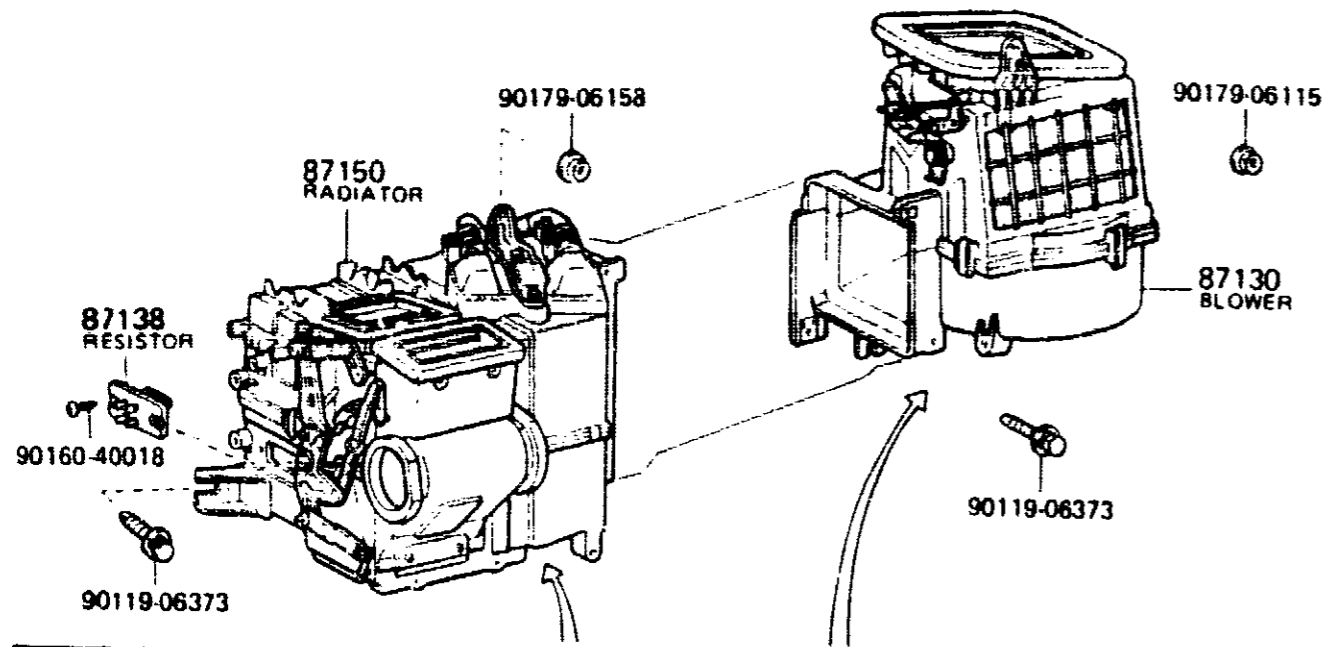
PROD. DATE	MODELS	DESCRIPTION	R / P	PART NUMBER	Q T Y.	REV. REF	
						F	T
		81850 LAMP ASSY, INDICATOR					
8708-9001	FJ62	NO. 3		81850-90A14-	1		
8708-9001	FJ62	W(DIFFERENTIAL LOCK), NO. 3		81850-90A15-	1		
8708-9001	FJ62	NO. 2		81850-90A25-	1		
8708-9001	FJ62	NO. 5		81850-90A31-	1		
8708-9001	FJ62	NO. 1		81850-90A35-	1		
		81850B BULB, INDICATOR LAMP					
8708-9001	FJ62	12V 3.4W		99132-12034-	1		
8708-9001	FJ62	12V 3.4W			4		
		81930 LAMP ASSY, HEATER CONTROL INDICATOR, NO. 1					
8708-9001	FJ62			81930-90A10-	1		
8708-9001	FJ62	W(AIR CONDITIONER)		81930-90A15-	1		
		81930B BULB, HEATER CONTROL INDICATOR LAMP					
8708-9001	FJ62	12V 2W		90981-11010-	1		
		81942 SHEET, HEATER CONTROL NAME					
8708-9001	FJ62			86995-90A02-	1		

PROD. DATE	MODELS	DESCRIPTION	R / P	PART NUMBER	Q T Y.	REV. REF	
						F	T
8708-9001	FJ62	HOSE, WINDSHIELD WASHER (FROM JOINT TO NOZZLE) *H, L=140		90099-33332-	2		

PROD. DATE	MODELS	DESCRIPTION	R / P	PART NUMBER	Q T Y.	REV. REF	
						F	T

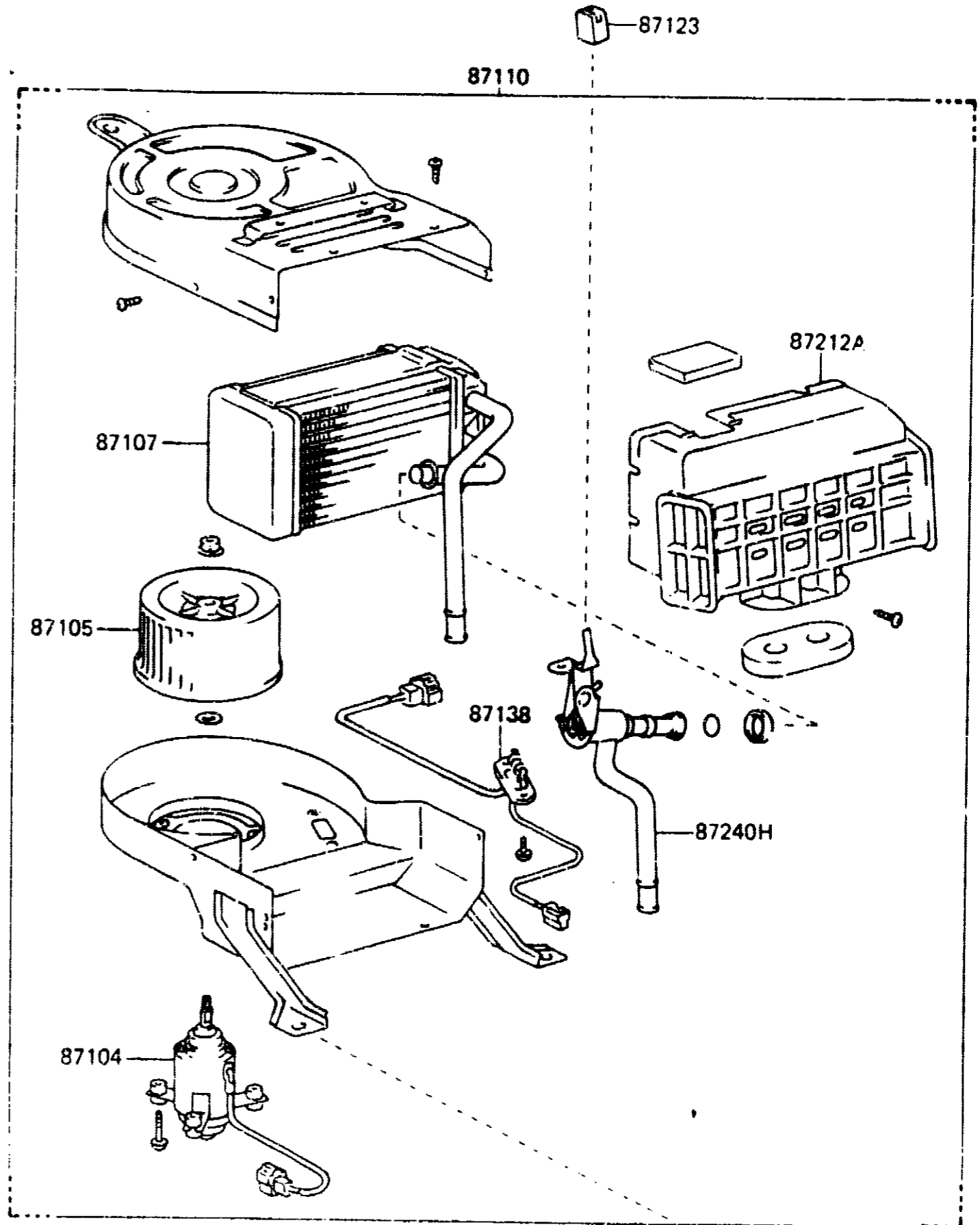
*H, L = Cut hose to length as specified in remarks

(8708-)
FRONT HEATER



ME J682

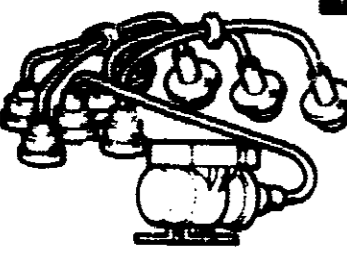
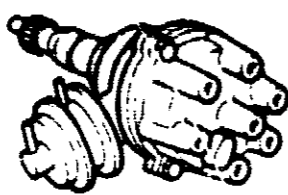
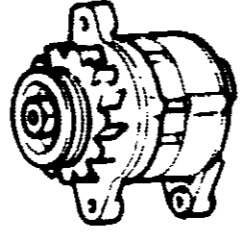
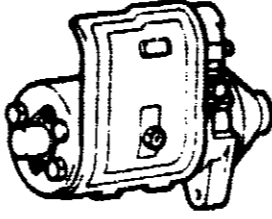
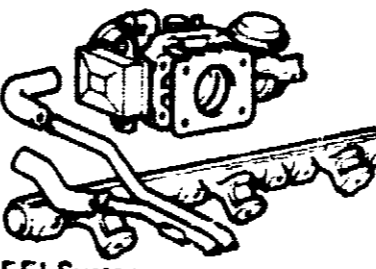
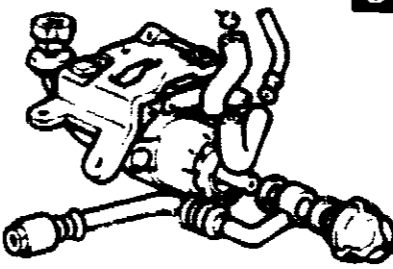
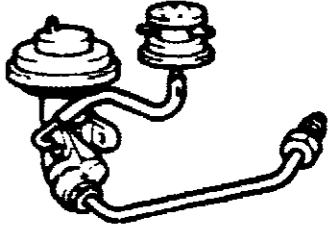
(8708-)
REAR HEATER



91651-40816 (3) (B)

ME J678

PART NUMBER	LOCATION	PART NUMBER	LOCATION	PART NUMBER	LOCATION	PART NUMBER	LOCATION	PART NUMBER	LOCATION	PART NUMBER	LOCATION
57405-90A07-	3H2	P 58570-90A28-03	3B3	61341-90A00-	3H3	62505-90A03-08	3D4	63372-90A00-	3F4	67610-90G04-03	3J4
57407-90A43-	3H2	P -90A28-06	3B3	61342-90A00-	3H3	62506-90A03-08	3D4	P 63392-90A00-18	3F4	-90G04-06	3J4
-90A46-	3H2	-90A39-03	3B3	61345-90A00-	3H3	62510-90A31-03	3D4	P 63396-90A00-18	3F4	-90G07-03	3J4
57417-90A03-	3J2	-90A39-06	3B3	61346-90A00-	3H3	-90A31-06	3D4	P 63397-90A00-18	3F4	-90G07-06	3J4
57425-90A02-	3J2	58573-90A00-	3B3	61401-90A06-	3H3	-90A34-03	3D4	63435-90A00-	3L3	P -90G42-03	3J4
57426-90A04-	3J2	58705-90A01-	3G7	61402-90A06-	3H3	-90A34-06	3D4	63436-90A00-	3L3	P -90G42-06	3J4
57427-90A00-	3J2	58754-90A00-	3K2	61503-90A00-	3H3	P 62520-90A44-03	3D4	63437-90A00-	3L3	P -90G49-03	3J4
57468-90A01-	3J2	58790-90A01-	3G7	61504-90A00-	3H3	-90A44-06	3D4	63438-90A00-	3M3	P -90G49-06	3J4
-90A02-	3J2	58793-90A01-	3G7	61511-90A01-	3I3	-90A52-03	3D4	63439-90A00-	3M3	67620-90G07-03	3J4
57483-90A00-	3J2	P 58825-90A01-03	3E3	61512-90A01-	3I3	-90A52-06	3D4	63441-90A00-	3M3	-90G07-06	3J4
57511-90A03-	3J2	-90A01-06	3E3	61607-90A04-	3I3	P 62539-90A01-03	3D4	63442-90A00-	3M3	-90G14-03	3J4
57605-90A02-	3M2	P 58841-90A01-03	3E3	-90A05-	3I3	-90A01-06	3D4	63443-90A00-	3M3	-90G14-06	3J4
57606-90A09-	3M2	-90A01-06	3E3	61608-90A00-	3I3	P 62549-90A00-03	3D4	63444-90A00-	3M3	P -90G41-03	3J4
57635-90A03-	3M2	P 58911-90A02-03	3E3	-90A01-	3I3	-90A00-16	3D4	63445-90A00-	3M3	P -90G41-06	3J4
57805-90A00-	3M2	-90A02-06	3E3	61611-90A03-	3I3	P 62613-90A07-03	3D4	63447-90A00-	3M3	P -90G48-03	3J4
58041-90A01-	3A3	-90A03-03	3E3	61612-90A03-	3I3	-90A07-06	3D4	63448-90A00-	3M3	P -90G48-06	3J4
58043-90A00-	3A3	P -90A03-06	3E3	61631-90A03-	3I3	P -90A09-03	3D4	63449-90A00-	3M3	67630-90A25-03	3C5
58107-90A00-	3J2	P -90A05-03	3E3	61632-90A03-	3I3	P -90A09-06	3D4	63457-90A00-	3M3	-90A25-06	3C5
58111-90A46-	3J2	P -90A05-06	3E3	61645-90A00-	3I3	62614-90A00-03	3D4	63458-90A00-	3M3	-90A28-03	3C5
58151-90A05-	3A3	P -90A06-03	3E3	61646-90A00-	3I3	-90A00-16	3D4	63459-90A00-	3M3	-90A28-06	3C5
58153-90A01-	3A3	P -90A06-06	3E3	61705-90A30-	3I3	-90A02-03	3D4	P 64739-90K01-03	3D4	P -90A33-03	3D5
58155-90A01-	3A3	58918-90A00-	3E3	-90A40-	3I3	-90A02-06	3D4	P -90K01-06	3D4	P -90A33-06	3D5
58188-90A03-	3J2	58936-60010-	2B1	61706-90A66-	3I3	62633-90A09-08	3D4	64777-90A00-	3G7	P -90A36-03	3D5
58192-90A00-	3J2	P 58944-90A00-03	3E3	-90A67-	3I3	-90A11-08	3D4	P 64780-90A01-13	3J5	P -90A36-06	3D5
58203-90A00-	3J2	-90A00-06	3E3	61709-90A02-	3I3	62634-90A09-08	3D4	P -90A01-16	3J5	67640-90A25-03	3D5
58204-90A00-	3J2	-90A01-03	3E3	61711-90A01-	3I3	-90A11-08	3D4	64798-90A00-	3J5	-90A25-06	3D5
58211-90A21-	3J2	P -90A01-06	3E3	61712-90A01-	3I3	P 62640-90A17-03	3D4	65061-90A13-	3J5	-90A28-03	3D5
-90A24-	3J2	P 58947-90A03-03	3E3	61733-90A02-	3I3	-90A17-06	3D4	65557-90A01-	3M2	-90A28-06	3D5
-90A26-	3J2	-90A03-06	3E3	-90A03-	3I3	P 62650-90A06-03	3D4	65706-90A00-	3L5	P -90A34-03	3D5
-90A28-	3J2	P 58951-90A01-03	3E3	-90A05-	3I3	-90A06-06	3D4	65707-90A00-	3L5	P -90A34-06	3D5
58231-90A00-	3A3	-90A01-06	3E3	61734-90A01-	3I3	62711-90A12-	3K3	65777-90A00-	3L5	P -90A37-03	3D5
58247-90A00-	3J2	58959-16010-	3F3	-90A03-	3I3	62712-90A11-	3K3	66110-90A00-	3L5	P -90A37-06	3D5
58248-90A00-	3K2	58964-30030-	3F3	-90A05-	3I3	62741-90A01-	3K3	66301-90A00-	3M2	P 67651-90A01-03	3J4
58256-90B00-	3J2	-90K00-	3F3	61743-90A02-	3I3	62795-90A00-	3D7	66318-90A00-	3M2	P -90A01-06	3J4
58261-90A04-	3A3	58965-12010-	3F3	61745-90A01-	3J3	62903-90A00-	3A4	67001-90A40-	3I4	67687-90A00-	3J5
58263-90A02-	3K2	-20020-	3F3	61746-90A01-	3J3	62904-90A00-	3A4	-90A44-	3I4	67689-90A00-	3J5
58268-90A05-	3K2	58976-20010-	3F3	61791-90B01-	3J3	62905-69015-	3A4	67002-90A47-	3I4	67765-90A00-	3J5
58279-90A00-	3J7	58985-90A00-	3F3	61793-90A00-	3J3	62906-69015-	3A4	-90A50-	3I4	67766-90A00-	3J5
58290-90A04-	3K2	58996-90A04-	3F3	P 62101-90A00-03	3C4	62909-22010-	3A4	67003-90A15-	3C5	67767-90A00-	3J5
-90A05-	3K2	58997-90A02-	3F3	-90A00-16	3C4	63105-90A00-	3L3	-90A17-	3C5	67769-90A00-	3J5
58303-90A00-	3M2	61027-90A04-	3G3	P 62102-90A00-03	3C4	63111-90A00-	3L3	67004-90A15-	3C5	67771-22010-	3J4
58304-90A00-	3M2	61028-90A04-	3G3	-90A00-16	3C4	-90A01-	3L3	-90A17-	3C5	-30060-	3D5
58305-90A08-	3M2	61031-90A02-	3G3	P 62163-90A00-03	3C4	63132-90A00-	3L3	67005-90A20-	3J5	P 67777-22040-23	3J4
58306-90A12-	3M2	61032-90A00-	3G3	-90A00-16	3C4	63141-90A00-	3L3	-90A27-	3J5	P -22040-36	3J4
58307-90A00-	3M2	61034-90A00-	3J3	P 62164-90A00-03	3C4	63145-90A00-	3L3	67111-90A15-	3I4	P 67778-22030-23	3J4
58308-90A03-	3M2	61101-90A08-	3G3	-90A00-16	3C4	P 63310-90A11-08	3E4	-90A18-	3I4	P -22030-46	3J4
58311-90A19-	3M2	61102-90A07-	3G3	62311-90A00-03	3C4	63341-90A01-	3E4	67112-90A15-	3I4	P 67805-90A01-	3D5
-90A20-	3M2	61154-90C00-	3G4	-90A00-06	3C4	63343-90A01-	3E4	-90A18-	3I4	67813-90A00-	3J3
58315-90A07-	3M2	61161-90A03-	3G3	P -90A01-03	3C4	63344-90A01-	3E4	67113-90A05-	3C5	67814-90A00-	3J3
58316-90A07-	3M2	61162-90A03-	3G3	-90A01-06	3C4	63353-90A00-	3E4	67114-90A05-	3C5	P 67832-90A04-	3J4
58325-90A00-	3M2	61183-90A01-	3G3	62312-90A00-03	3C4	63354-90A00-	3E4	67118-90A02-	3I4	-90A07-	3J4
58339-90A00-	3M2	61184-90A00-	3G3	-90A00-06	3C4	63361-90A00-	3E4	-90A03-	3I4	67847-90A01-	3K5
58344-90A01-	3A3	61197-90A00-	3H3	-90A01-03	3C4	-90A01-	3F4	67207-90A00-	3L5	67861-90A00-	3J4
58345-90A00-	3A3	61211-90A01-	3H3	-90A01-06	3C4	-90A01-	3E4	67209-90A00-	3L5	67862-90A00-	3J4
58348-90A00-	3M2	61212-90A01-	3H3	62313-90A00-03	3C4	-90A02-	3F4	67285-90A00-	3L5	67868-30040-	3D5
58367-90A00-	3M2	61231-90A03-	3H3	-90A00-16	3C4	62333-90A00-03	3C4	67286-90A00-	3L5	3J4	
58410-90A00-	3G4	61232-90A02-	3H3	-90A00-16	3C4	-90A00-16	3C4	67401-90A00-	3I4	67871-90A00-	3D5
58418-90A00-	3G4	61263-90A01-	3H3	P 62411-90A01-03	3C4	63362-90A00-	3F4	67402-90A00-	3I4	67872-90A00-	3D5
58457-90A00-	3G4	61264-90A01-	3H3	-90A01-16	3C4	-90A01-	3F4	67403-90A00-	3I4	67881-90A06-	3K5
58510-90A85-03	3B3	61267-90A00-	3H3	P 62412-90A01-03	3C4	-90A02-	3F4	67404-90A00-	3I4	67891-90A01-	3K5
-90A85-06	3B3	61268-90A00-	3H3	-90A01-16	3C4	63363-90A00-	3F4	67407-90A00-	3C5	P 67913-90A00-03	3J3
58540-90A83-03	3B3	61330-90A04-	3H3	P 62471-90A00-18	3C4	-90A01-	3F4	67408-90A00-	3C5	P 90A00-15	3B3
-90A83-06	3B3	61340-90A05-	3H3	-90A07-	3H3	-90A02-	3F4	67481-90A00-	3I4	67917-90A00-03	3C3
						63371-30050-	3F4	67482-90A00-	3I4	-90A00-16	3C3

1B4 (19-01) 1  Ignition Coil & Cord	1D4 (19-02) 2  Distributor	1E4 (19-03) 3  Alternator	1G4 (19-04) 4  Starter	1I4 (22-11) 5  EFI System	5 	1M4 (25-01) 6  EGR System
--	--	--	--	---	---	---

ENGINE, FUEL GROUP (2/2)

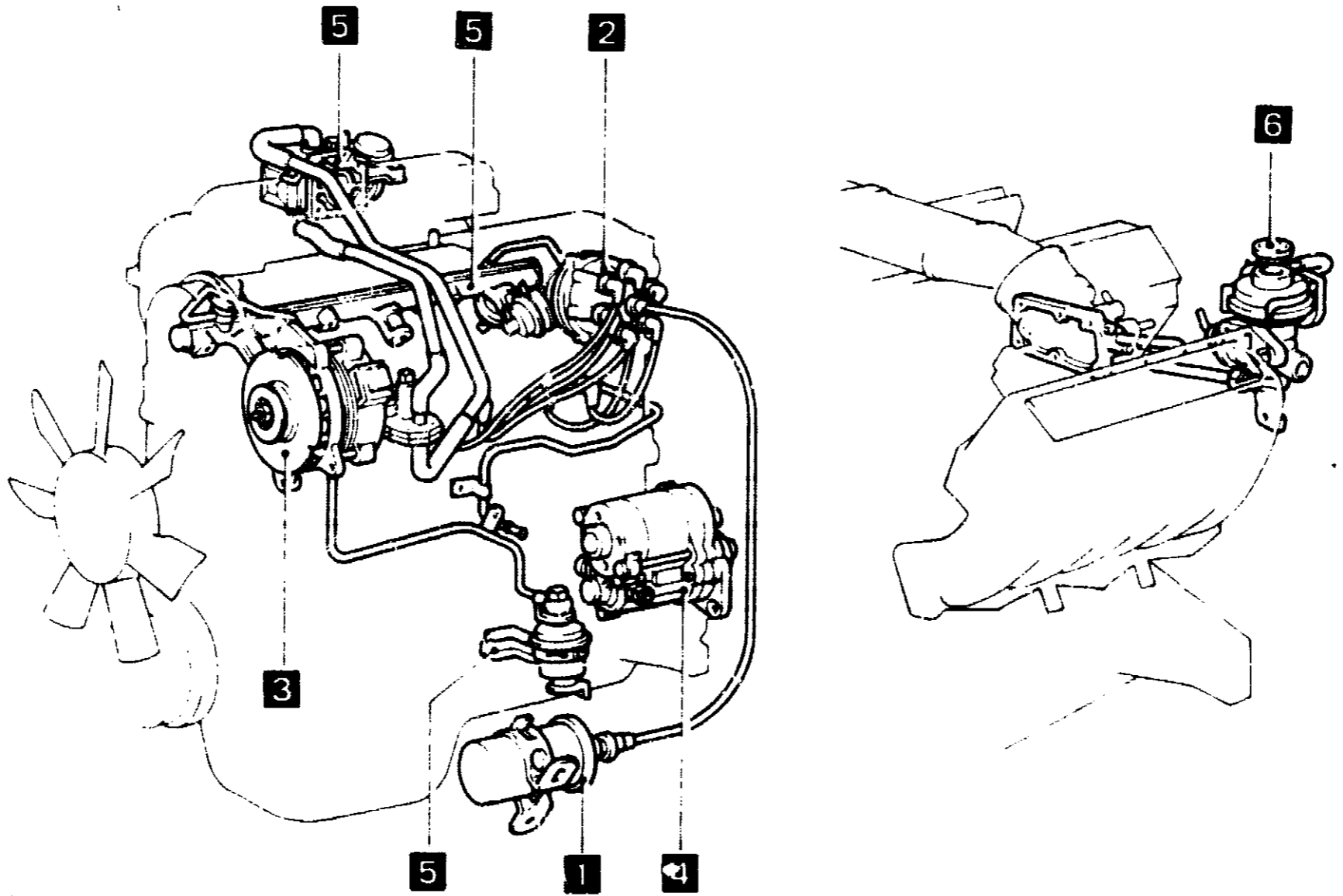
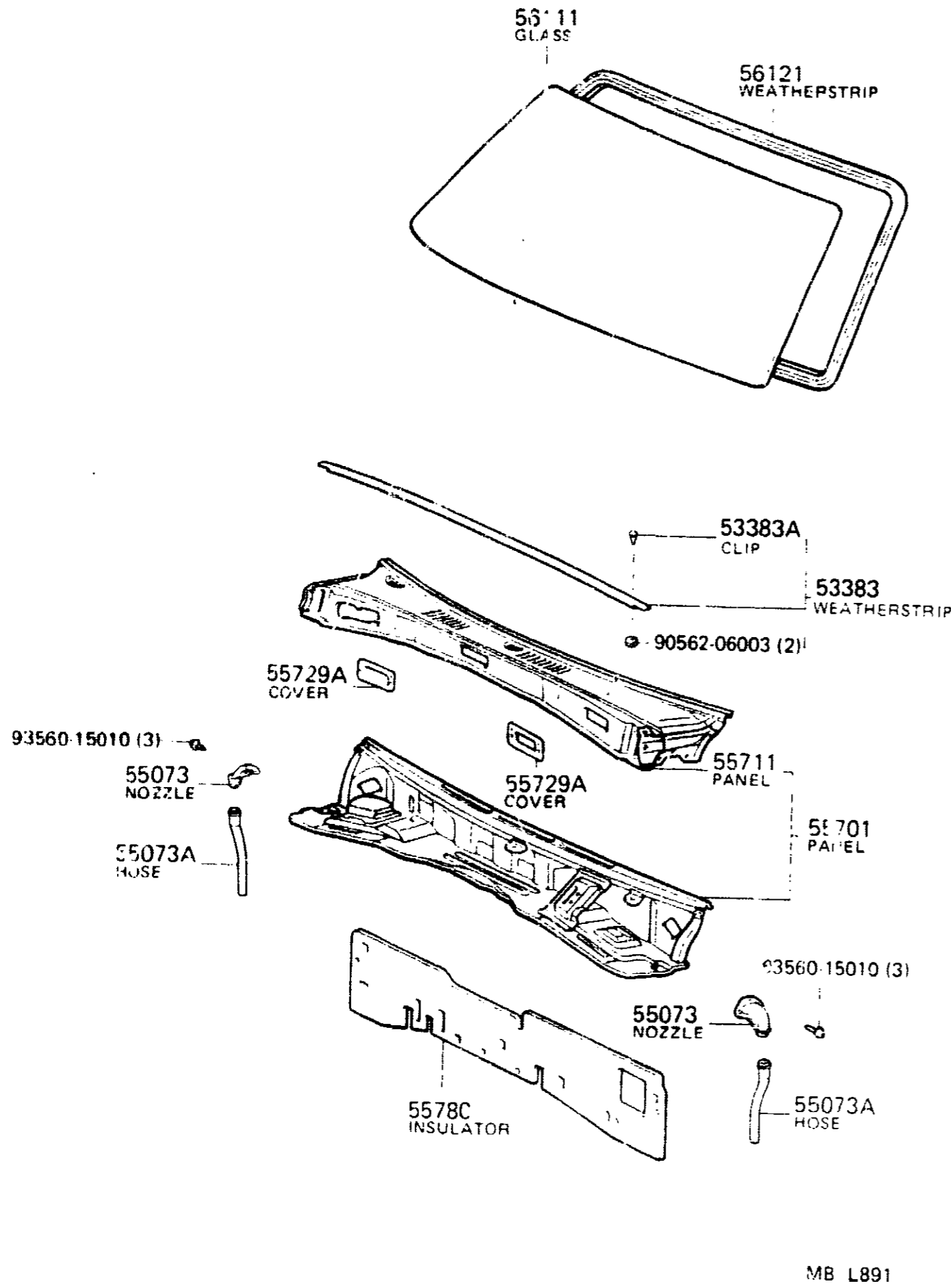


FIG. 55-53 COWL PANEL & WINDSHIELD GLASS

3F2

791430M-01255

(8708-)



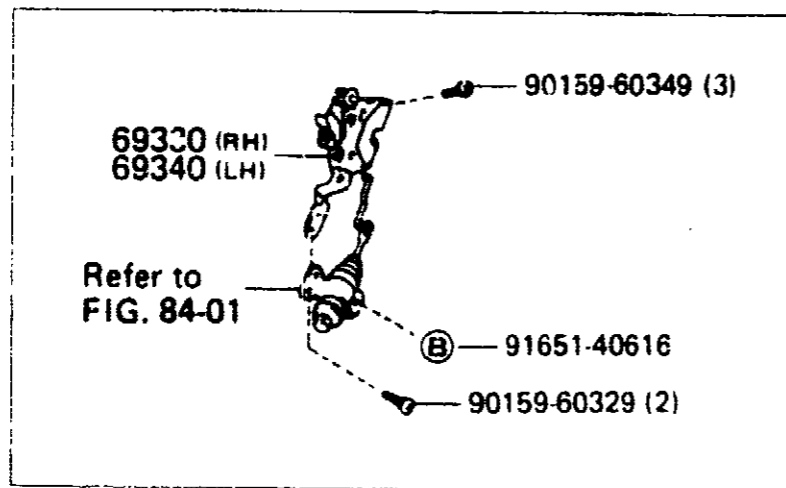
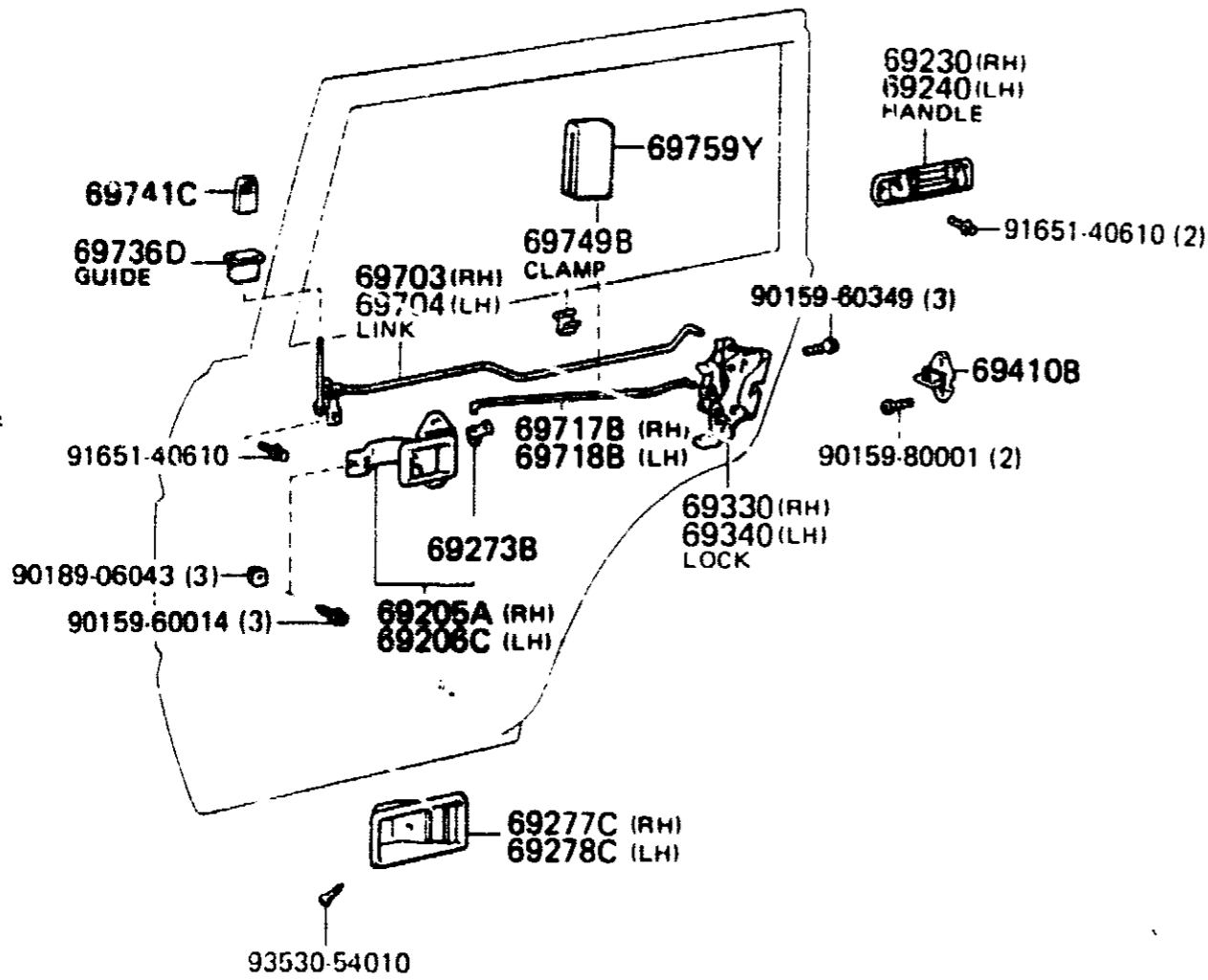
PROD. DATE	MODELS	DESCRIPTION	R / P	PART NUMBER	QTY.	REV. REF.	
						F	T
8708-9001	FJ62	SEAL, HOOD TO COWL TOP		53383-90A00-	1		
8708-8808	FJ62	CLIP (FOR HOOD TO COWL TOP SEAL)		90467-08011-	5		
8308-9001	FJ62..WGG				9		
8708-9001	FJ62	NOZZLE SUB-ASSY, COWL PANEL WATER EXTRACT		55073-90A00-	2		
8708-9001	FJ62	HOSE (FOR EXTRACT NOZZLE)		90910-04012-	2		
8708-8809	FJ62	PANEL SUB-ASSY, COWL		55700-90G17-	1		002
8809-9001	FJ62..WGG				1		
8708-8809	FJ62	PANEL, COWL TOP, OUTER		55701-90A35-	1		002
8809-9001	FJ62..WGG				1		
8708-9001	FJ62	COVER, COWL PANEL HOLE		55729-90A01-	2		
8708-9001	FJ62	INSULATOR ASSY, COWL TOP		55780-90A01-	1		
8708-9001	FJ62	GLASS, WINDSHIELD		56111-90A02-	1		
		*TL, T=5.3					

*TL=Tinted Laminated Glass

PROD. DATE	MODELS	DESCRIPTION	R / P	PART NUMBER	Q T Y.	REV. REF	
						F	T
	↔ 63363	SUPPORT, ROOF HEADLINING, NO.3					
8708-9001	FJ62	MARK=BLUE		63361-90A00-	1		
8708-9001	FJ62	MARK=RED		63361-90A01-	1		
8708-9001	FJ62	MARK=YELLOW		63361-90A02-	1		
	↔ 63364	SUPPORT, ROOF HEADLINING, NO.4					
8708-9001	FJ62	MARK=BLUE		63361-90A00-	1		
8708-9001	FJ62	MARK=RED		63361-90A01-	1		
8708-9001	FJ62	MARK=YELLOW		63361-90A02-	1		
	↔ 63365	SUPPORT, ROOF HEADLINING, NO.5					
8708-9001	FJ62	MARK=BLUE		63361-90A00-	1		
8708-9001	FJ62	MARK=RED		63361-90A01-	1		
8708-9001	FJ62	MARK=YELLOW		63361-90A02-	1		
	↔ 63366	SUPPORT, ROOF HEADLINING, NO.6					
8708-9001	FJ62	MARK=BLUE		63362-90A00-	1		
8708-9001	FJ62	MARK=RED		63362-90A01-	1		
8708-9001	FJ62	MARK=YELLOW		63362-90A02-	1		
	↔ 63367	SUPPORT, ROOF HEADLINING, NO.7					
8708-9001	FJ62	MARK=BLUE		63362-90A00-	1		
8708-9001	FJ62	MARK=RED		63362-90A01-	1		
8708-9001	FJ62	MARK=YELLOW		63362-90A02-	1		
	↔ 63368	SUPPORT, ROOF HEADLINING, NO.8					
8708-9001	FJ62	MARK=BLUE		63363-90A00-	1		
8708-9001	FJ62	MARK=RED		63363-90A01-	1		
8708-9001	FJ62	MARK=YELLOW		63363-90A02-	1		

PROD. DATE	MODELS	DESCRIPTION	R / P	PART NUMBER	Q T Y.	REV. REF	
						F	T
	↔ 63371D	RETAINER, ROOF HEADLINING SUPPORT					
8708-9001	FJ62			63371-30050-	16		
	↔ 63372C	HOOK, ROOF HEADLINING SUPPORT					
8708-9001	FJ62			63372-90A00-	3		
	↔ 63392C	TRIM, ROOF HEADLINING, REAR RH					
P 8708-9001	FJ62	IVORY (TRIM, 4)		63392-90A00-18	1		
	↔ 63396B	TRIM, ROOF HEADLINING, REAR CENTER					
P 8708-9001	FJ62	IVORY (TRIM, 4)		63396-90A00-18	1		
	↔ 63397D	TRIM, ROOF HEADLINING, REAR LH					
P 8708-9001	FJ62	IVORY (TRIM, 4)		63397-90A00-18	1		

(8708-)



MB L953-B

PROD. DATE	MODELS	DESCRIPTION	R / P	PART NUMBER	Q T Y.	REV. REF	
						F	T
8708-9001	FJ62	1 69205A HANDLE SUB-ASSY, REAR DOOR INSIDE, RH		69205-20020-	1		
8708-9001	FJ62	1 69206C HANDLE SUB-ASSY, REAR DOOR INSIDE, LH		69206-20020-	1		
8708-9001	FJ62	1 69230 HANDLE ASSY, REAR DOOR OUTSIDE, RH		69230-90A00-	1		
8708-9001	FJ62	1 69240 HANDLE ASSY, REAR DOOR OUTSIDE, LH		69240-90A00-	1		
8708-9001	FJ62	1 69273B SNAP, DOOR INSIDE HANDLE ROD (FOR REAR DOOR)		69273-30020-	2		
P 8708-9001	FJ62	1 69277C BEZEL, REAR DOOR INSIDE HANDLE, RH		69277-16040-23	1		
P 8708-9001	FJ62			GRAY (TRIM1)			
P 8708-9001	FJ62			SEPIA BROWN (TRIM4)			
P 8708-9001	FJ62	1 69278C BEZEL, REAR DOOR INSIDE HANDLE, LH		69277-16040-23	1		
P 8708-9001	FJ62			GRAY (TRIM1)			
P 8708-9001	FJ62			SEPIA BROWN (TRIM4)			
8708-9001	FJ62	1 69330 LOCK ASSY, REAR DOOR, RH		69330-90A00-	1		
8708-9001	FJ62			W (POWER WINDOW)			
8708-9001	FJ62	1 69340 LOCK ASSY, REAR DOOR, LH		69340-90A00-	1		
8708-9001	FJ62			W (POWER WINDOW)			
8708-9001	FJ62			69340-90A01-	1		
8708-9001	FJ62			69340-90A01-	1		

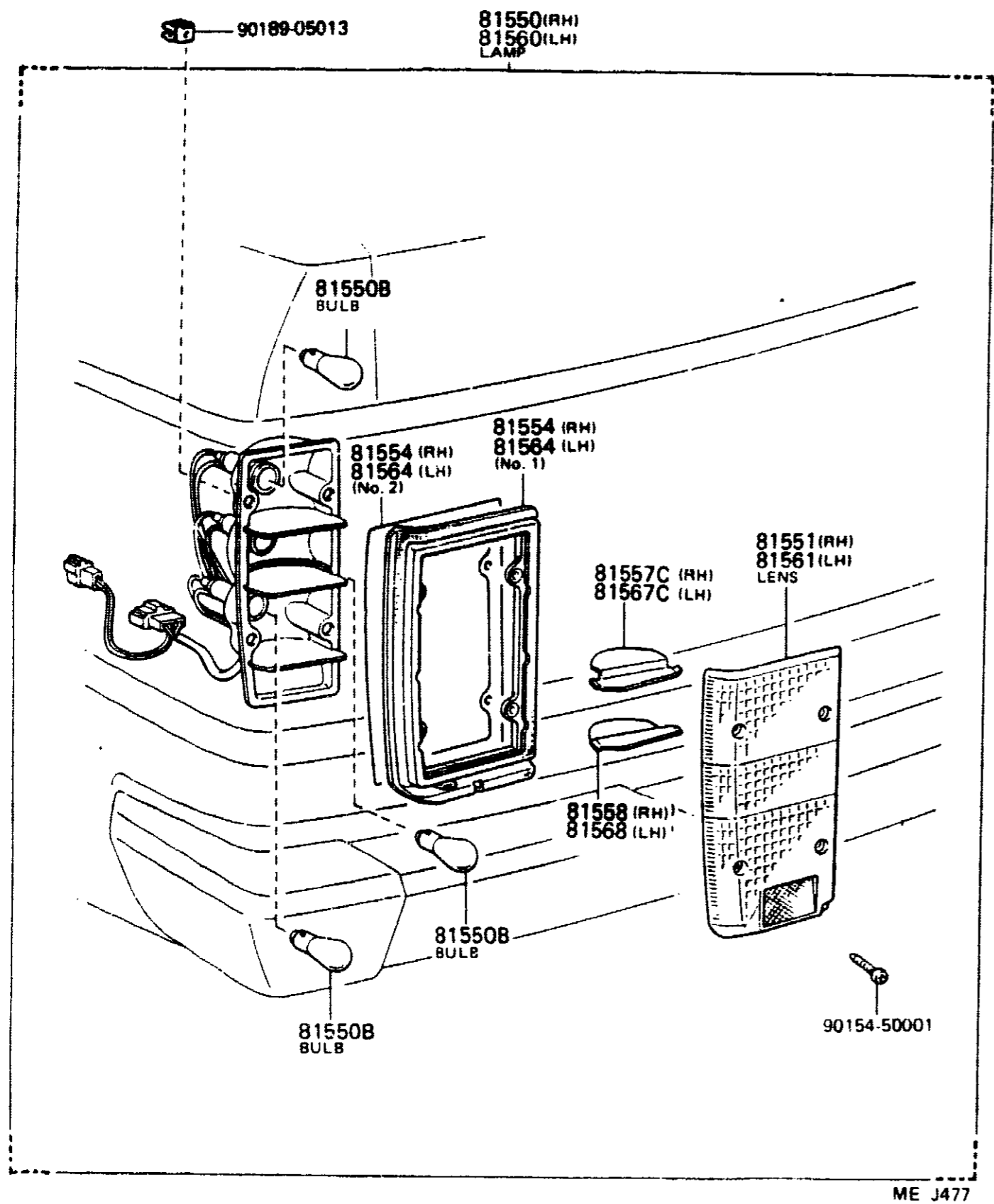
PROD. DATE	MODELS	DESCRIPTION	R/P	PART NUMBER	QTY.	REV. REF	
						F	T
P 8708-9001	↔ 71835C ↔ FJ62..WGG	MOULDING, REAR SEAT BACK, RH GRAY (TRIM1)		71835-90A00-03	1		
P 8708-9001	↔ 71835C ↔ FJ62..WGG	MOULDING, REAR SEAT BACK, RH SEPIA BROWN (TRIM4)		71835-90A00-16	1		
P 8708-9001	↔ 71836C ↔ FJ62..WGG	MOULDING, REAR SEAT BACK, LH GRAY (TRIM1)		71836-90A00-03	1		
P 8708-9001	↔ 71836C ↔ FJ62..WGG	MOULDING, REAR SEAT BACK, LH SEPIA BROWN (TRIM4)		71836-90A00-16	1		
P 8708-9001	↔ 71837C ↔ FJ62..WGG	MOULDING, REAR SEAT BACK, UPPER SHADOW GRAY (TRIM1)		71837-90A01-03	1		
F 8708-9001	↔ 71837C ↔ FJ62..WGG	MOULDING, REAR SEAT BACK, UPPER SEPIA BROWN (TRIM4)		71837-90A01-06	1		
8708-9001	↔ 71887B ↔ FJ62..WGG	MAT, REAR SEAT CUSHION		# 71887-90A00- (71887-90A00-06)	1		
P 8708-9001	↔ 71910A ↔ FJ62	HEADREST ASSY, FRONT SEAT GRAY (TRIM1)		71910-90A01-03	2		
P 8708-9001	↔ 71910A ↔ FJ62	HEADREST ASSY, FRONT SEAT SEPIA BROWN (TRIM4)		71910-90A01-16	2		
8708-9001	↔ 71931 ↔ FJ62	SUPPORT, FRONT SEAT HEADREST W/O (LOCK), GRAY (TRIM1)		71956-30020-13	2		
P 8708-9001	↔ 71931 ↔ FJ62	SUPPORT, FRONT SEAT HEADREST W/O (LOCK), SEPIA BROWN (TRIM4)		71956-30020-56	2		
8708-9001	↔ 71931 ↔ FJ62	SUPPORT, FRONT SEAT HEADREST W (LOCK), GRAY (TRIM1)		71990-30020-13	2		
P 8708-9001	↔ 71931 ↔ FJ62	SUPPORT, FRONT SEAT HEADREST W (LOCK), SEPIA BROWN (TRIM4)		71990-30020-56	2		

PROD. DATE	MODELS	DESCRIPTION	R/P	PART NUMBER	QTY.	REV. REF	
						F	T
8708-9001	↔ 71931A ↔ FJ62..WGG	SUPPORT, REAR SEAT HEADREST W/O (LOCK), SHADOW GRAY (TRIM1)		71930-10060-33	2		
P 8708-9001	↔ 71931A ↔ FJ62..WGG	SUPPORT, REAR SEAT HEADREST W/O (LOCK), SEPIA BROWN (TRIM4)		71930-10060-36	2		
8708-9001	↔ 71931A ↔ FJ62..WGG	SUPPORT, REAR SEAT HEADREST W/O (LOCK), SHADOW GRAY (TRIM1)		71931-10010-33	1		
8708-9001	↔ 71931A ↔ FJ62..WGG	SUPPORT, REAR SEAT HEADREST W/O (LOCK), SEPIA BROWN (TRIM4)		71931-10010-36	1		
P 8708-9001	↔ 71940A ↔ FJ62..WGG	HEADREST ASSY, REAR SEAT GRAY (TRIM1)		71910-90A01-03	2		
P 8708-9001	↔ 71940A ↔ FJ62..WGG	HEADREST ASSY, REAR SEAT SEPIA BROWN (TRIM4)		71910-90A01-16	2		
8708-9001	↔ 71955A ↔ FJ62..WGG	SUPPORT, REAR SEAT HEADREST BLACK (TRIM1, 4)		71955-90K00-01	4		
8708-9001	↔ 72110A ↔ FJ62	TRACK ASSY, FRONT SEAT, OUTER RH		72110-90A04-	1		
8708-9001	↔ 72120 ↔ FJ62	TRACK ASSY, FRONT SEAT, OUTER LH		72120-90A04-	1		
8708-9001	↔ 72130A ↔ FJ62	TRACK ASSY, FRONT SEAT, INNER RH		72130-90A03-	1		
8708-9001	↔ 72140A ↔ FJ62	TRACK ASSY, FRONT SEAT, INNER LH		72140-90A00-	1		
8708-9001	↔ 72145A ↔ FJ62	BRACKET, FRONT INNER SEAT TRACK, LOWER FRONT RH		72145-90A00-	1		

PROD. DATE	MODELS	DESCRIPTION	R / P	PART NUMBER	Q T Y.	REV. REF	
						F	T
8708-9001	↔ 75755C ↔ FJ62	MOULDING, FRONT DOOR WINDOW FRAME, REAR RH		75755-90A00-	1		
8708-9001	↔ 75756C ↔ FJ62	MOULDING, FRONT DOOR WINDOW FRAME, REAR LH		75756-90A00-	1		
8708-9001	↔ 75761A ↔ FJ62	MOULDING, REAR DOOR WINDOW FRAME, FRONT RH		75761-90A00-	1		
8708-9001	↔ 75762A ↔ FJ62	MOULDING, REAR DOOR WINDOW FRAME, FRONT LH		75762-90A00-	1		
8708-9001	↔ 75763A ↔ FJ62	MOULDING, REAR DOOR WINDOW FRAME, UPPER RH		75763-90A00-	1		
8708-9001	↔ 75764A ↔ FJ62	MOULDING, REAR DOOR WINDOW FRAME, UPPER LH		75764-90A00-	1		
8708-9001	↔ 75765A ↔ FJ62	MOULDING, REAR DOOR WINDOW FRAME, REAR RH		75765-90A00-	1		
8708-9001	↔ 75766A ↔ FJ62	MOULDING, REAR DOOR WINDOW FRAME, REAR LH		75766-90A00-	1		
8708-9001	↔ 75851 ↔ FJ62	MOULDING, ROCKER PANEL, RH		75850-69015-	1		
8708-9001	↔ 75852 ↔ FJ62	MOULDING, ROCKER PANEL, LH		75860-69015-	1		

PROD. DATE	MODELS	DESCRIPTION	R / P	PART NUMBER	Q T Y.	REV. REF	
						F	T
8708-9001	↔ 75867A ↔ FJ62	CLIP, ROCKER PANEL MOULDING		75867-20020-	10		

(8708-)

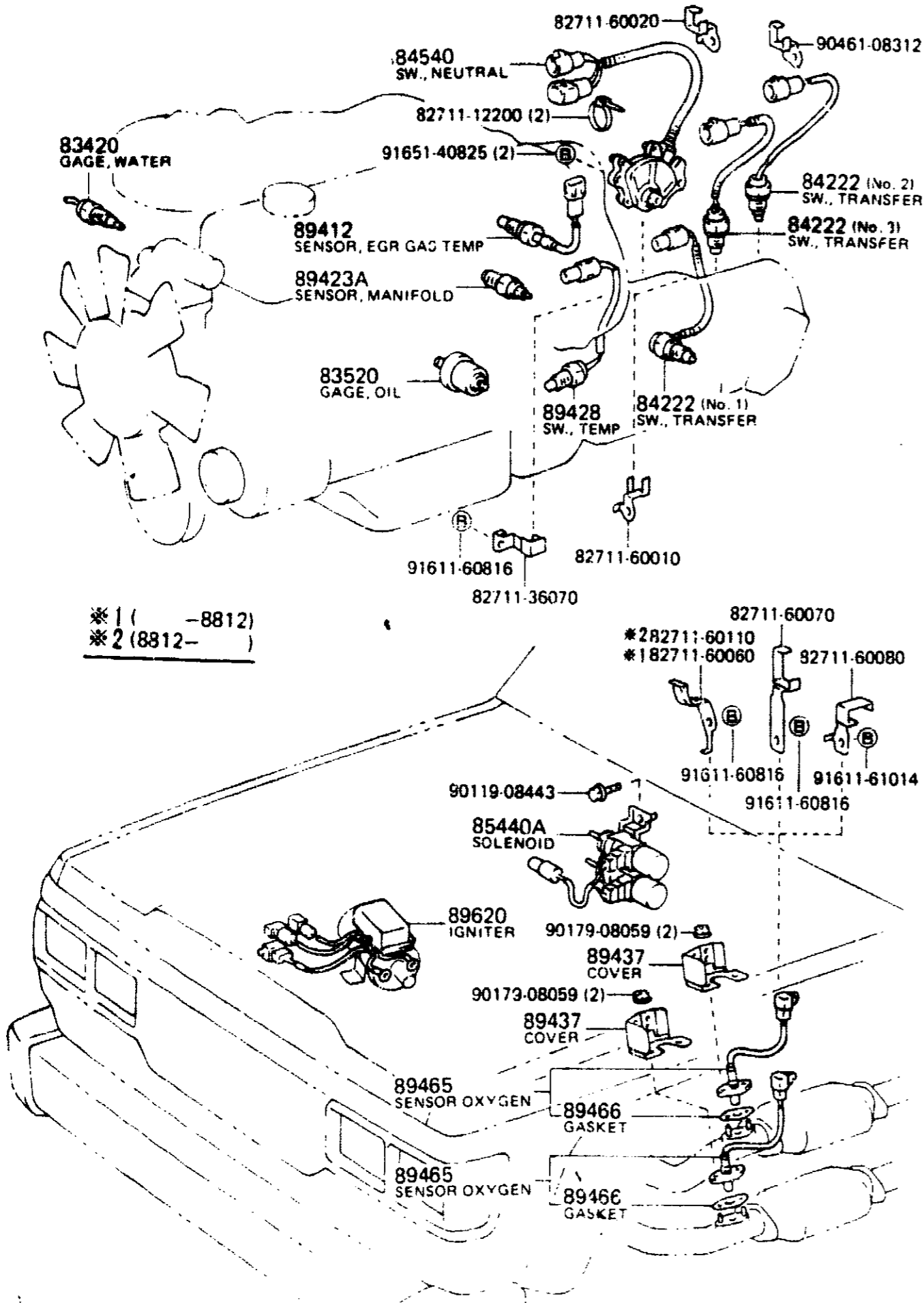


ME J477

PROD. DATE	MODELS	DESCRIPTION	R / P	PART NUMBER	QTY.	REV. REF	
						F	T
P 8708-9001	81550	LAMP ASSY, REAR COMBINATION, RH		81550-90A11-	1		002
P 8708-9001	81550B	BULB (FOR REAR COMBINATION LAMP)		99132-11270-	4		002
P 8708-9001	81550B	12V 27W		99132-21270-	2		002
P 8708-9001	81551	LENS, REAR COMBINATION LAMP, RH		81551-90A00-	1		002
P 8708-9001	81554	GASKET, REAR COMBINATION LAMP BODY, RH		81552-90A00-	1		002
P 8708-9001	81554	NO. 1		81554-90A12-	1		002
P 8708-9001	81554	NO. 2		81557-90A00-	1		002
P 8708-9001	81557C	COVER, REAR COMBINATION LAMP, RH		81558-90A00-	1		002
P 8708-9001	81558	SHADE, REAR COMBINATION LAMP, NO. 1 RH		81558-90A00-	1		002
P 8708-9001	81560	LAMP ASSY, REAR COMBINATION, LH		81560-90A11-	1		002
P 8708-9001	81561	LENS, REAR COMBINATION LAMP, LH		81561-90A00-	1		002
P 8708-9001	81564	GASKET, REAR COMBINATION LAMP BODY, LH		81562-90A00-	1		002
P 8708-9001	81564	NO. 1		81564-90A12-	1		002
P 8708-9001	81564	NO. 2					

(8708-)

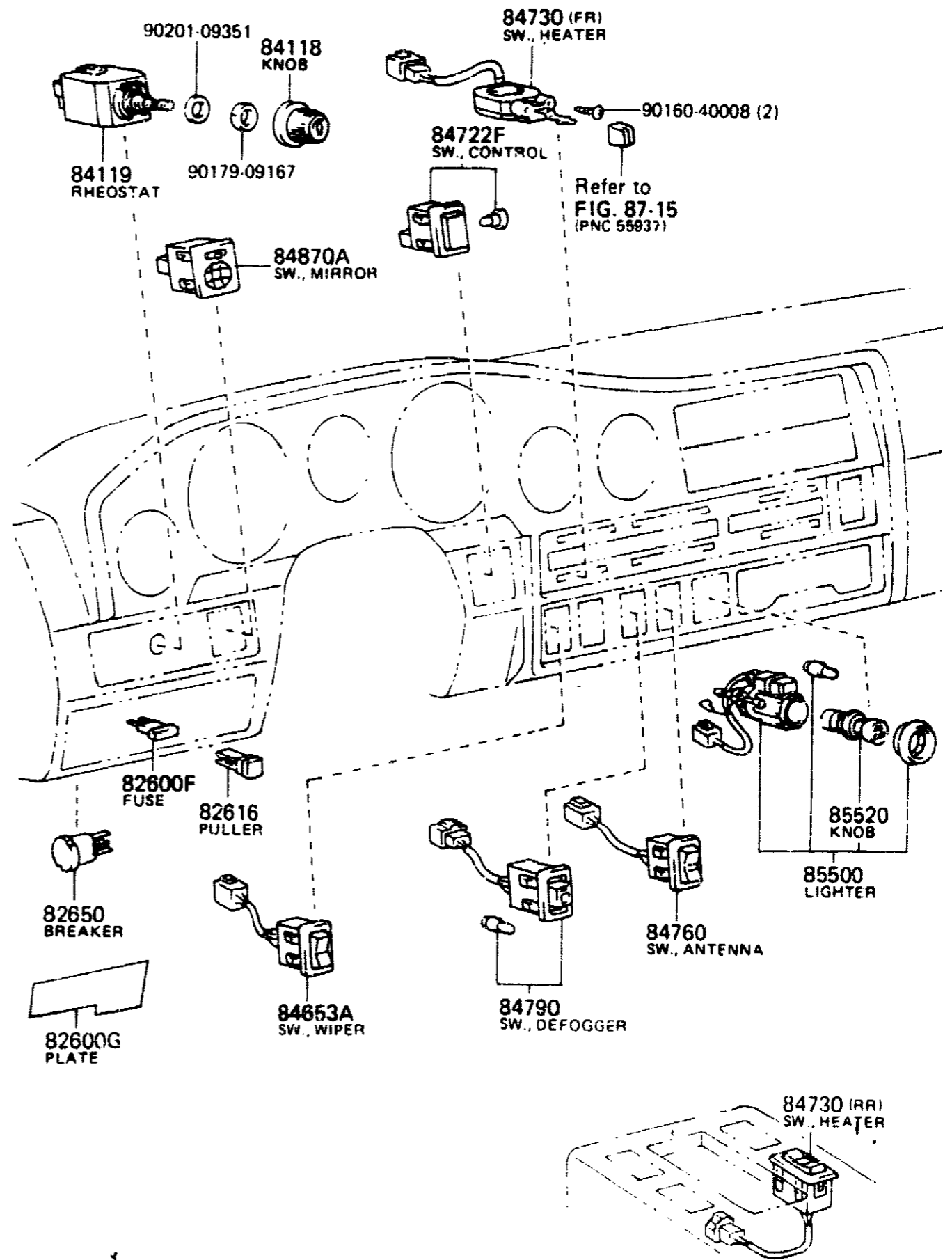
ILLUST. NO. 1 OF 5



ME J638 D

(8708-)

ILLUST. NO. 2 OF 5



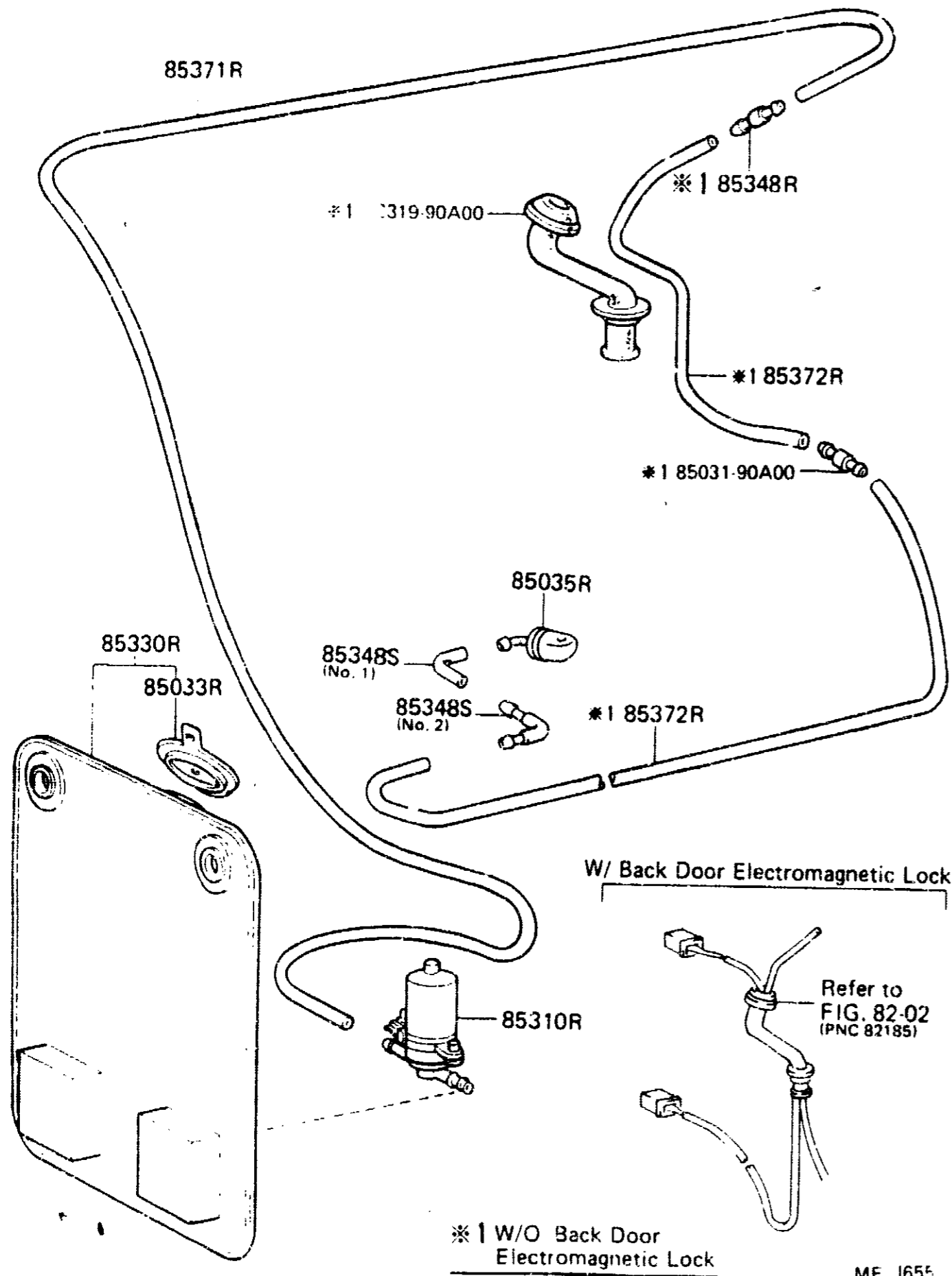
ME J639-A

FIG. 85-04 REAR WASHER

3F10

791430M-01359

(8708-)



* 1 W/O Back Door Electromagnetic Lock

ME J655

PROD. DATE	MODELS	DESCRIPTION	R / P	PART NUMBER	QTY.	REV. REF.	
						F	T
8708-9001	FJ62	1 850J3R CAP ASSY, REAR WASHER		85332-20050-	1		
8708-9001	FJ62	1 85035R NOZZLE SUB-ASSY, WASHER		85035-90A02-	1		
8708-9001	FJ62	1 85310R MOTOR ASSY, REAR WASHER		85310-22080-	1		
8708-9001	FJ62	1 85330R JAR ASSY, REAR WASHER		85330-90A08-	1		
8708-9001	FJ62	1 85348R JOINT, REAR WASHER HOSE, NO. 1		85349-89122-	1		
8708-9001	FJ62	1 85348S JOINT, REAR WASHER ELBOW		85355-14481-	1		
8708-9001	FJ62		NO. 2	85355-20200-	1		
8708-9001	FJ62	1 85371R HOSE, REAR WASHER (FROM MOTOR TO JOINT OR NOZZLE)		90446-06292-	1		
			*H, L=2300				
8708-9001	FJ62	1 85372R HOSE, REAR WASHER (FROM JOINT TO JOINT OR NOZZLE)		90446-06013-	2		
			*H, L=950				

*H, L=Cut hose to length as specified in remarks

PROD. DATE	MODELS	DESCRIPTION	R / P	PART NUMBER	Q T Y.	REV. REF	
						F	T
	87104	MOTOR SUB-ASSY, HEATER BLOWER					
8708-9001	FJ62	FRONT		87104-90A00-	1		
8708-9001	FJ62	REAR		87104-90K03-	1		
	87105	FAN SUB-ASSY, HEATER BLOWER					
8708-9001	FJ62	FRONT		87105-14020-	1		
8708-9001	FJ62	REAR		87105-87002-	1		
	87107	UNIT SUB-ASSY, HEATER RADIATOR					
8708-9001	FJ62	FRONT		87107-90A04-	1		
8708-9001	FJ62	REAR		87107-90A06-	1		
	87110	HEATER ASSY					
8708-9001	FJ62			87110-90A02-	1		
	87123	KNOB, HEATER					
8708-9001	FJ62			55905-12070-	1		
	87126	CLAMP, HEATER CONTROL					
8708-9001	FJ62	BLOWER		87126-16010-	1		
8708-9001	FJ62	RADIATOR		87126-90A01-	2		
	87130	BLOWER ASSY, HEATER, FRONT					
8708-9001	FJ62			87130-90A01-	1		
	87138	RESISTOR, HEATER BLOWER					
8708-9001	FJ62	FRONT		87138-22030-	1		
8708-9001	FJ62	REAR		87138-90K02-	1		

PROD. DATE	MODELS	DESCRIPTION	R / P	PART NUMBER	Q T Y.	REV. REF	
						F	T
	87150	RADIATOR ASSY, HEATER					
8708-9001	FJ62			87150-90A14-	1		
	87212A	DUCT, AIR, REAR NO.1					
8708-9001	FJ62			87212-90A00-	1		
	87240H	VALVE ASSY, WATER UNIT					
8708-9001	FJ62			87240-90A02-	1		
	87248H	PIPE, HEATER WATER INLET					
8708-9001	FJ62			87248-90A01-	1		
	87249	PIPE, WATER					
8708-9001	FJ62			87248-90A03-	1		

PART NUMBER	LOCATION	PART NUMBER	LOCATION	PART NUMBER	LOCATION	PART NUMBER	LOCATION	PART NUMBER	LOCATION	PART NUMBER	LOCATION
68111-90A01-	3J4	69310-90A02-	3L4	69971-90A01-	3B5	72510-90A03-	3G6	74404-90A00-	3L6	76608-69015-	3J3
68112-90A01-	3J4	-90A03-	3L4	69973-90A00-	3I5	72520-90A02-	3G6	74431-90A00-	3L6	76628-90A01-	3M2
68113-90A01-	3D5	69320-90A02-	3L4	69975-90A00-	3I5	P 72525-14010-13	3G6	74433-90A00-	3L6	77001-60220-	3J7
68114-90A01-	3D5	-90A03-	3L4	P 71071-90A35-03	3D6	P -14010-56	3G6	74451-90A00-	3L6	77030-90A01-	3J7
68123-90A01-	3D5	69330-90A00-	3F5	P -90A35-06	3D6	P 72526-14010-43	3G6	74559-12020-	3M6	77037-90K00-	3J7
68124-90A01-	3E5	-90A01-	3F5	P 71072-90A13-03	3D6	P -14010-56	3G6	-20030-	3M6	77169-14010-	1K4
68131-90A20-	3K5	69340-90A00-	3F5	P -90A18-06	3D6	72538-12010-	2B7	-20090-	3M6	77193-60031-	3J7
68141-90A03-	3K4	-90A01-	3F5	P 71073-90A44-03	3D6	P 72551-90A00-03	3G6	-60010-	3M6	77201-60150-	3J7
68142-90A01-	3E5	69350-90A03-	3M5	P -90A44-06	3D6	P -90A00-16	3G6	74564-60010-	3M6	77205-60140-	3J7
68143-90A01-	3K4	69380-90A01-	3M5	71075-90A18-03	3D6	P 72552-90A00-03	3G6	74571-28020-	3M6	77209-60041-	3J7
68170-90A01-	3K4	69390-90A00-	3M5	-90A18-06	3D6	P -90A00-16	3G6	74610-10020-18	3K6	77213-60030-	3J7
68188-90A00-	3E5	69410-90B00-	3G5	P 71077-90A41-03	3D6	72607-90A00-	3G6	-90K00-08	3K6	77244-60110-	3K7
68189-90A00-	3E5		3M4	P -90A41-06	3D6	72630-90A17-	3G6	74617-14010-18	3K6	77249-60040-	3J7
68190-90A01-	3E5	69430-90A01-	3M5	71301-90A00-	3D6	-90A20-	3G6	-16010-08	3K6	-60050-	3J7
68281-90A00-	3K5	69450-90A00-	3M5	71307-90A00-	3D6	72640-90A17-	3G6	74620-90A00-18	3K6	77250-60080-	3J7
68282-90A00-	3K5	69460-90A00-	3M5	71309-90A00-	3E6	-90A20-	3G6	P 74670-90A01 03	3K6	-60021-	3J7
68291-90A01-	3K5	69513-14010-	3A6	71354-90A00-	3E6	72645-90A00-	3G6	P -90A01-06	3K6	-60090-	3J7
68610-2010-	3K4	-90A00-	3B6	P 71410-90A33-03	3E6	72651-90A00-	3G6	75330-90A00-	3C7	77261-60080-	3J7
68617-90A01-	3E5	69551-13020-	3B6	P -90A33-06	3E6	P 72660-90A00-03	3G6	75340-90A00-	3C7	77262-60030-	3J7
	3K4	-90A00-	3B6	P 71420-90A31-03	3E6	P -90A00-16	3G6	75370-90A02-	3C7	77264-60030-	3K7
68630-90A00-	3E5	69552-95A00-	3B6	P -90A31-06	3E6	72670-90A02-	3G6	75415-95660-	3M5	77293-60030-	3K7
68710-14020-	3A5	69563-90A00-	3B6	P 71430-90A39-03	3E6	72680-90A02-	3G6	75430-90K00-	3C7	77305-90A01-	3K7
-30080-	3H5	69581-14010-	3B6	P -90A39-06	3E6	P 72694-90A00-03	3G6	75442-90A01-	3C7	77310-12100-	3K7
68720-14020-	3A5	69681-20040-	3B6	P 71440-90A37-03	3E6	P -90A00-16	3G6	75505-90A00-	3D7	77316-12050-	3K7
-30020-	3H5	69690-90A01-	3M5	P -90A37-06	3E6	73003-90A00-03	3H6	75506-90A00-	3E7	77358-12020-	3K7
68730-14020-	3A5	69705-90A00-	3M5	P 71460-90G12-03	3E6	-90A00-06	3H6	75531-90A00-	3D7	77366-12010-	3K7
	3H5	P 69706-90A00-03	3M5	P -90G12-06	3E6	73210-90A26-03	3H6	75533-90A00-	3D7	77601-60060-	3K7
68740-14020-	3A5	-90A00-06	3M5	P 71480-90G28-03	3E6	-90A26-06	3H6	75534-90A00-	3D7	77602-60040-	3K7
	3H5	69711-90A00-	3M4	P -90G28-06	3E6	P -90A29-03	3H6	75535-90A00-	3D7	77740-60130-	3K7
68810-90A00-	3L5	69712-90A00-	3M4	71739-90A00-	3E6	P -90A29-06	3H6	75541-90A00-	3D7	77751-60020-	3K7
68868-90A00-	3L5	69713-90A00-	3G5	P 71825-90A00-03	3E6	73220-90A15-03	3H6	75543-90A00-	3D7	78111-95110-	3M7
68950-69045-	3M5	69714-90A00-	3G5	P -90A00-16	3E6	-90A15-06	3H6	75553-90A00-	3E7	78118-90K00-	3M7
68961-23010-	3M5	69722-90A00-	3M5	P 71826-90A00-03	3E6	P -90A15-03	3H6	75554-90A00-	3E7	78120-90A08-	3M7
69005-90A47-	3A6	69736-90K00-	3G5	P -90A00-16	3E6	P -90A17-06	3H6	75575-90A00-	3E7	-90A09-	3M7
-90A62-	3A6		3M4	P 71827-90A00-03	3E6	P 73230-90A17+06	3H6	75583-90A00-	3E7	78180-90A24-	3M7
69051-90A06-	3A6	P 69741-90K00-06	3G5	P -90A00-16	3E6	P -90A17-13	3H6	75586-90A00-	3E7	78184-90A01-	3M7
69052-90A06-	3A6		3M4	P 71828-90A00-03	3E6	P 73240-90A20-03	3H6	75596-90A00-	3E7	-90A03-	3M7
69055-90A06-	3A6	69747-20020-01	3M5	P -90A00-16	3E6	P -90A20-06	3H6	75631-90A01-	3M3	78410-90A03-	3M7
-90A11-	3A6	69749-12010-	3G5	P 71829-90A00-03	3E6	73330-90A04-13	3I6	75641-90A00-	3E7	-90A08-	3M7
69056-90A01-	3A6		3L1	P -90A00-16	3E6	-90A04-16	3I6	75642-90A00-	3E7	78471-90A00-	3M7
69057-90A08-	3A6		3M4	P 71835-90A00-03	3F6	-90A05-13	3I6	75645-90A00-	3E7	81105-90A27-	3A8
69058-90A02-	3A6	-30020-	3M5	P -90A00-13	3F6	-90A05-16	3I6	75646-90A00-	3E7	81106-90A27-	3A8
69205-20020-	3F5	69751-20040-	3E5	P 71836-90A00-03	3F6	-90A37-03	3I6	75710-90A02-	3E7	81110-90A28-	3A8
	3L4		3K4	P -90A00-16	3F6	-90A37-06	3I6	75720-90A02-	3E7	81111-20360-	3A8
69206-20020-	3F5	69759-30021-	3G5	P 71837-90A01-03	3F6	P -90A46-03	3I6	75730-90A01-	3E7		3B8
	3L4		3M4	P -90A01-06	3F6	P -90A46-06	3I6	75740-90A01-	3E7	81113-90B04-	3A8
69210-90A00-	3L4	69764-90A00-	3M5	71887-90A00-	3F6	P 73360-90A40-03	3I6	75751-90A00-	3E7	81114-22391-	3B8
69212-90A00-	3M5	69767-90A00-	3M5	P 71910-90A01-03	3F6	P -90A40-06	3I6	75752-90A00-	3E7	81121-14320-	3A8
69220-90A00-	3L4	69770-90A02-	3G5	P -90A01-16	3F6	P 73380-90A20-03	3I6	75755-90A00-	3F7	81131-28050-	3A8
69230-90A00-	3F5	-90A03-	3G5	71930-10060-33	3F6	P -90A20-06	3I6	75756-90A00-	3F7	81150-90A28-	3B8
69240-90A00-	3F5	69780-90A02-	3G5	P -10060-36	3F6	74102-90A01-	3A7	75761-90A00-	3F7	81153-90B04-	3B8
69260-12010-03	3A5	-90A03-	3G5	71931-10010-33	3F6	74104-90A01-	3A7	75762-90A00-	3F7	81154-22391-	3A8
	3H5	69801-90A00-	3A5	-10010-36	3F6	P 74105-10010-10	3A7	75763-90A00-	3F7	P 81240-22070-08	3J8
-12010-46	3A5	69802-90A00-	3A5	71955-90K00-01	3F6	-10010-13	3A7	75764-90A00-	3F7	-95A16-	3J8
	3H5	69803-90A00-	3M5	71956-30020-13	3F6	74135-10030-	3A7	75765-90A00-	3F7	P 81241-20060-	3J8
69273-30020-	3F5	69804-90A00-	3H5	P -30020-56	3F6	74137-10030-	3A7	75766-90A00-	3F7	81260-22030-	3J8
	3L4	69810-90A02-	3A5	71990-30020-13	3F6	P 74250-90A00-03	3K6	75812-90A00-	3E7	P 81270-95A07-	3H8
69277-16040-23	3F5	69820-90A02-	3A5	-30020-56	3F6	P -90A00-16	3K6	75813-90A00-	3E7	P 81271-13070-	3H8
	3L4	69830-90A01-	3H5	72110-90A04-	3F6	P 74310-90A28-08	3K6	75850-69015-	3F7	P 81272-13070-	3H8
-16040-36	3F5	69840-90A01-	3H5	72120-90A04-	3F6	P -90A52-08	3K6	75850-69015-	3F7	P 81274-95A00-	3H8
	3L4	69901-90A03-	3B5	72130-90A03-	3F6	P 74320-90A25-08	3K6	75867-20020-	3F7	P 81510-90A13-	3C8
69285-22010-08	3A5	69902-90A02-	3B5	72140-90A00-	3F6	P -90A42-08	3K6	76603-69015-	3K1	P 81511-90A13-	3C8
	3H5	69905-90A03-	3I5	72145-90A00-	3F6	P 74348-12010-18	3K6	76604-69015-	3K1	P 81515-90A13-	3C8
69289-90A00-	3M5	69906-90A03-	3I5	72146-90A00-	3G6	P 74372-90A00-	3C11	76607-69015-	3J3	P 81520-90A13-	3C8

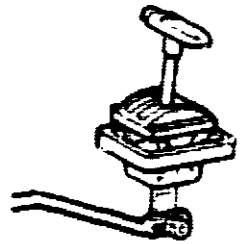
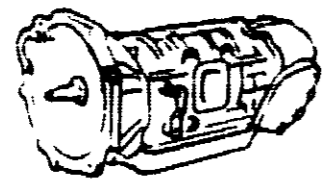
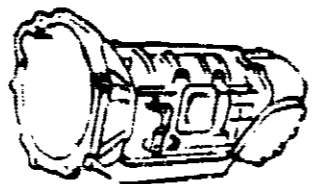
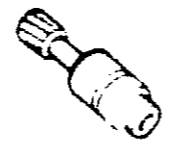
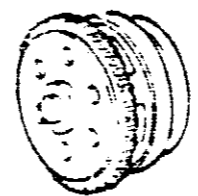
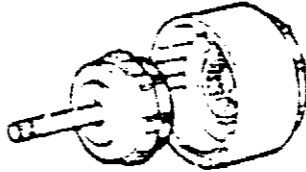
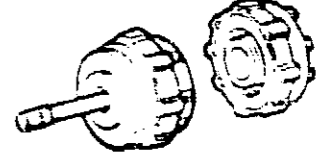
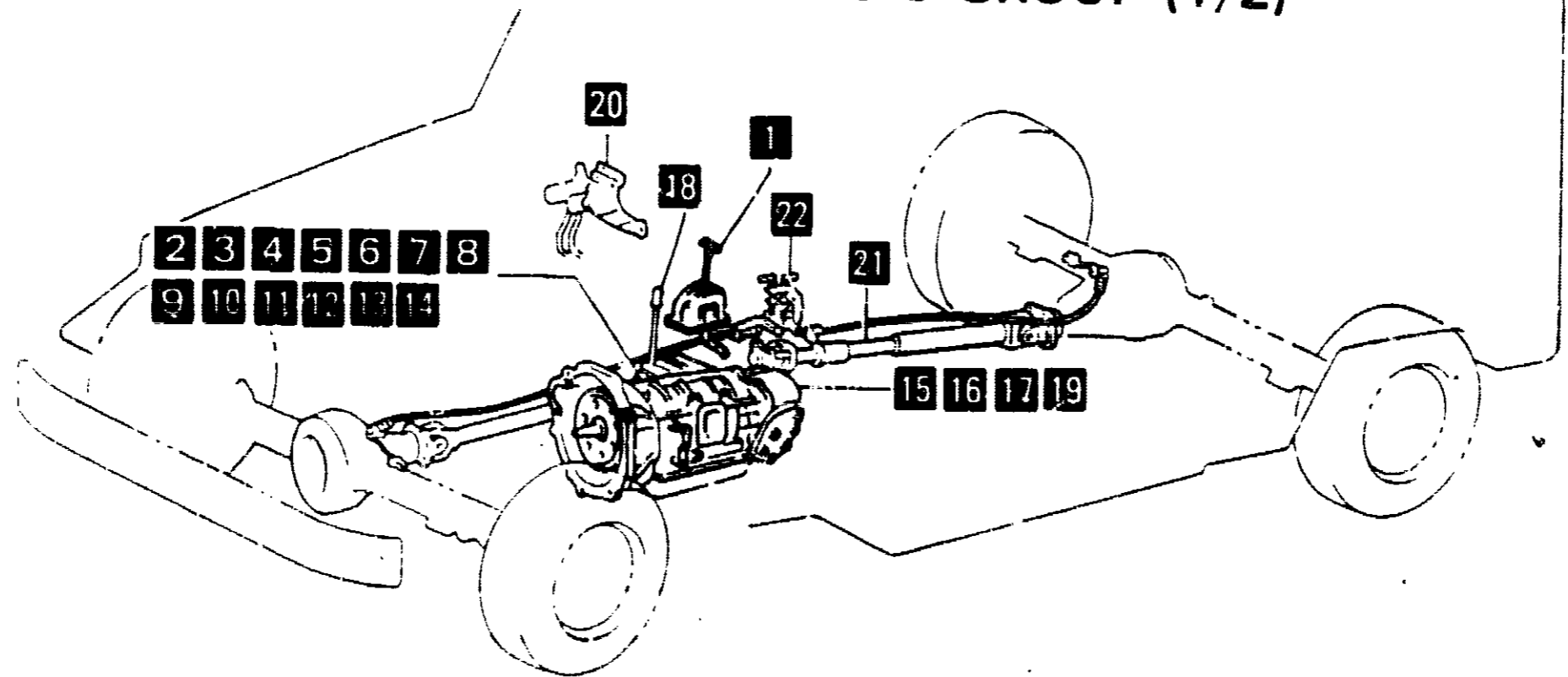
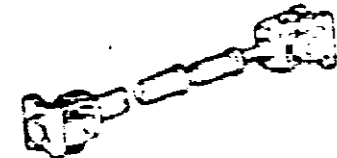
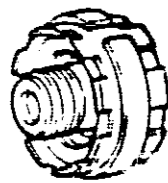
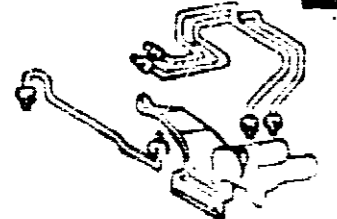
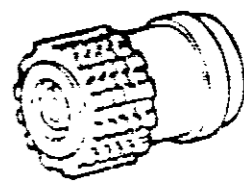


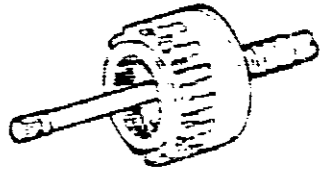
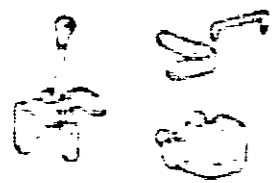
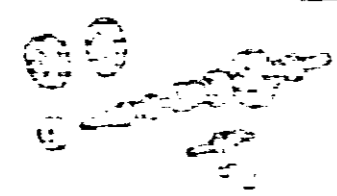


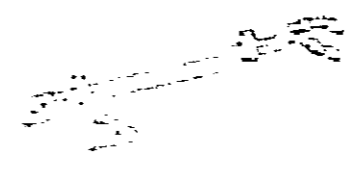
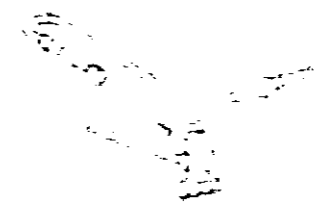


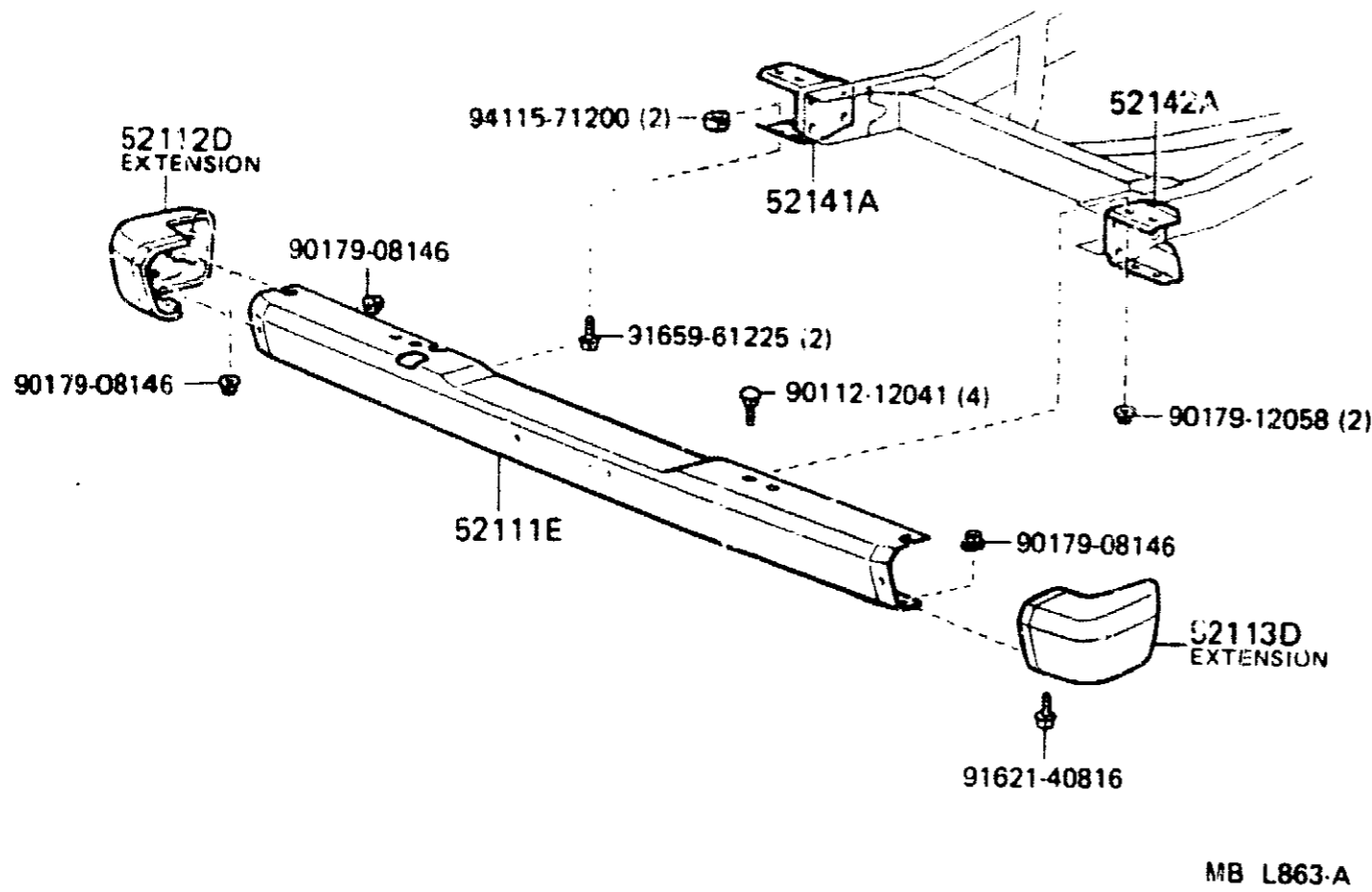
<p>2A1 (33-12) 1</p>  <p>Shift Lever & Retainer</p>	<p>2D1 (35-01) 2</p>  <p>Transmission Assy</p>	<p>2G1 (35-03) 3</p>  <p>Transmission Case</p>	<p>2J1 (35-05) 4</p>  <p>Speedometer Driven Gear</p>	<p>2E1 (35-02) 5</p>  <p>Torque Converter & Chain</p>	<p>2K1 (35-06) 6</p>  <p>Overdrive Gear</p>	<p>2A2 (35-07) 7</p>  <p>Multiple Disc Clutch</p>
<p>POWER TRAIN-CHASSIS GROUP (1/2)</p> 						
<p>2K4 (37-01) 21</p>  <p>Propeller Shaft</p>						<p>2D2 (35-08) 8</p>  <p>Planetary Sun Gear</p>
<p>2J4 (36-16) 20</p>  <p>Vacuum Shift Valve</p>						<p>2F2 (35-09) 9</p>  <p>Brake No. 3</p>
<p>2H4 (36-12) 19</p>  <p>Diaphragm Cylinder</p>	<p>2M5 (42-01) 22</p>  <p>Differential Lock Control</p>					<p>2G2 (35-10) 10</p>  <p>Planetary Gear</p>
<p>2F4 (36-11) 18</p>  <p>Transfer Lever</p>	<p>2C4 (36-10) 17</p>  <p>Transfer Gear</p>	<p>2A4 (36-09) 16</p>  <p>Transfer Case</p>	<p>2M3 (36-08) 15</p>  <p>Transfer Assy</p>	<p>2K3 (35-14) 14</p>  <p>Oil Cooler & Tube</p>	<p>2I3 (35-13) 13</p>  <p>Throttle Link</p>	<p>2I2 (35-11) 11</p>  <p>Governor</p>
						<p>2K2 (35-12) 12</p>  <p>Valve Body</p>

FIG. 52-52 FRONT BUMPER & BUMPER STAY

3G1

791430M-01243

(8708-)



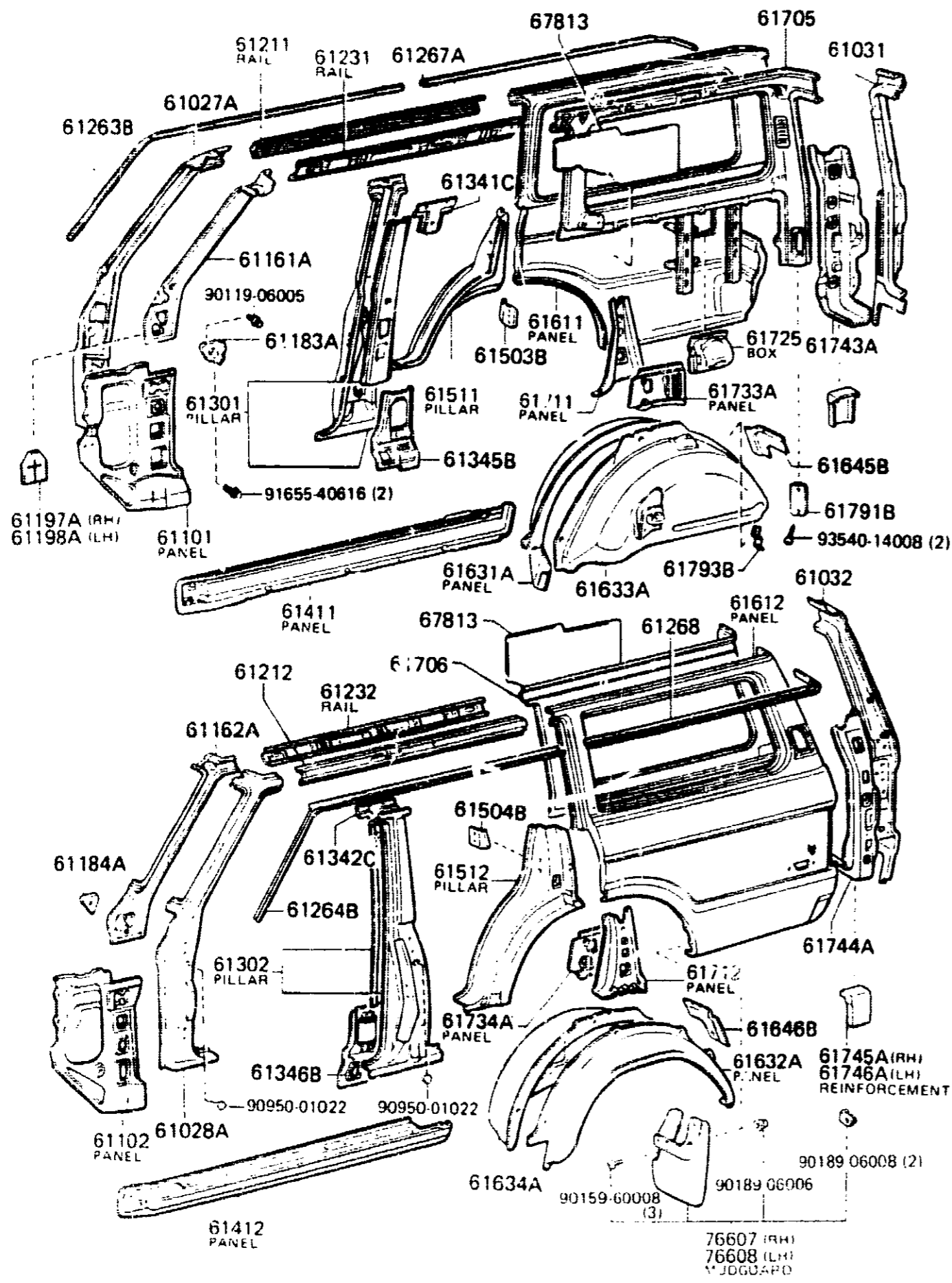
PRD. DATE	MODELS	DESCRIPTION	R / P	PART NUMBER	Q T Y.	REV. REF	
						F	T
8708-9001	FJ62	52111E BAR, FRONT BUMPER		52111-90A03-	1		
8708-9001	FJ62	52112D EXTENSION, FRONT BUMPER, RH		52102-90A00-	1		
8708-9001	FJ62	52113D EXTENSION, FRONT BUMPER, LH		52103-90A00-	1		
8708-9001	FJ62	52141A ARM, FRONT BUMPER, UPPER RH		52141-60050-	1		
8708-9001	FJ62	52142A ARM, FRONT BUMPER, UPPER LH		52142-60040-	1		

FIG. 61-51 SIDE MEMBER

3G3

791430M-01269

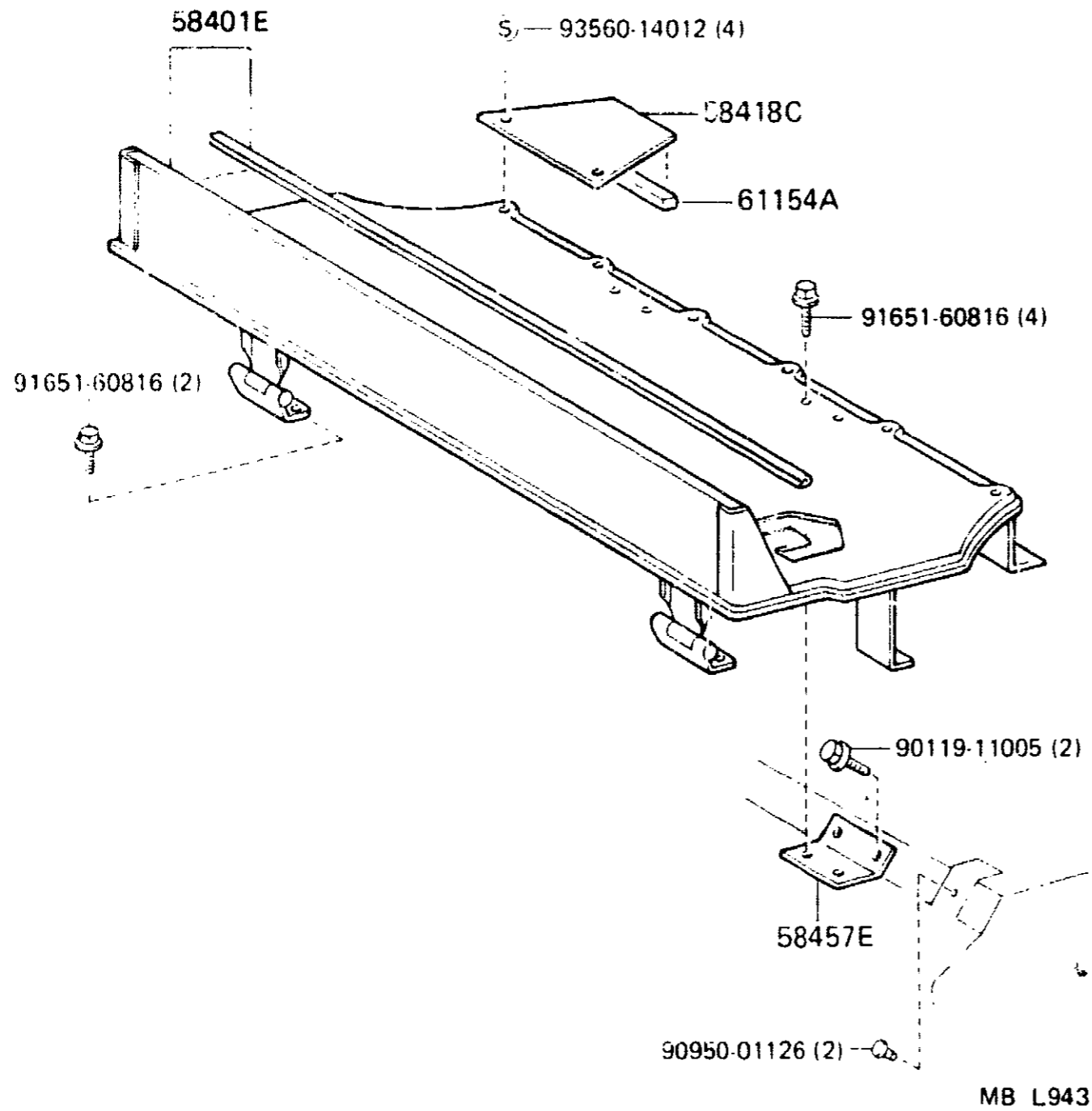
(8708-)



MB L924

PROD. DATE	MODELS	DESCRIPTION	R / P	PART NUMBER	QTY	REV. REF	
						F	T
8708-9001	FJ62	61027A PILLAR SUB-ASSY, FRONT BODY, OUTER RH		61027-90A04-	1		
8708-9001	FJ62	61028A PILLAR SUB-ASSY, FRONT BODY, OUTER LH		61028-90A04-	1		
8708-9001	FJ62	61031 EXTENSION SUB-ASSY, QUARTER PANEL, REAR LOWER RH		61031-90A02-	1		
8708-9001	FJ62	61032 EXTENSION SUB-ASSY, QUARTER PANEL, REAR LOWER LH		61032-90A00-	1		
8708-9001	FJ62	61101 PANEL SUB-ASSY, COWL SIDE, RH		61101-90A08-	1		
8708-9001	FJ62	61102 PANEL SUB-ASSY, COWL SIDE, LH		61102-90A07-	1		
8708-8812	FJ62	61161A PILLAR, FRONT BODY, INNER RH		61161-90AC3-	1		
8812-9001	FJ62..WGG				1		
8708-8812	FJ62	61162A PILLAR, FRONT BODY, INNER LH		61162-90A03-	1		
8708-9001	FJ62	61183A BRACKET, INSTRUMENT PANEL SIDE, NO.2 RH		61183-90A01-	1		
8708-9001	FJ62	61184A BRACKET, INSTRUMENT PANEL SIDE, NO.2 LH		61184-90A00-	1		

(8708-)

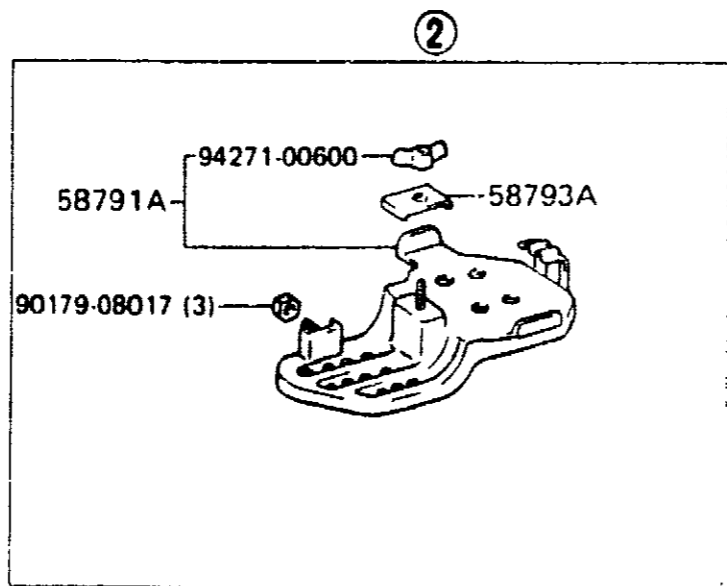
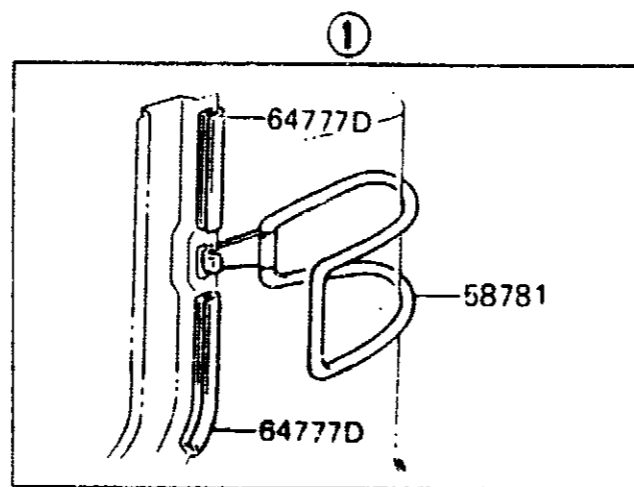
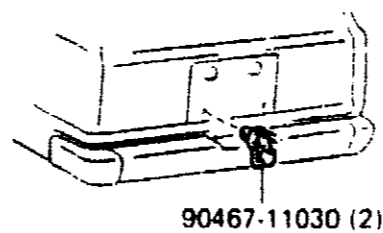
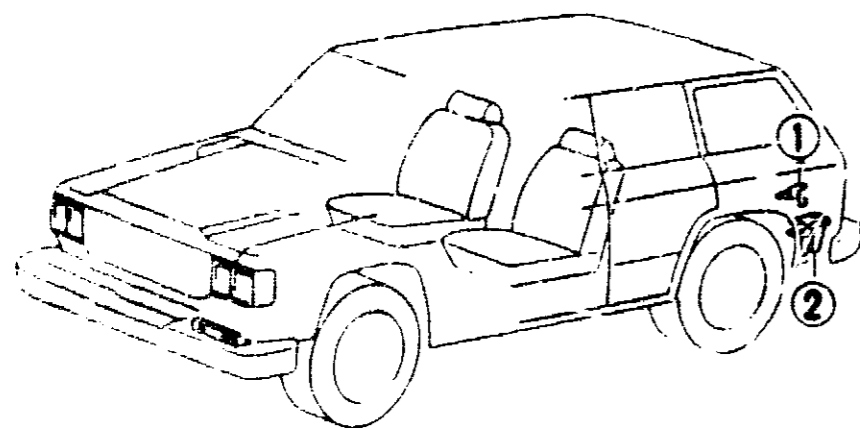


PROD. DATE	MODELS	DESCRIPTION	R / P	PART NUMBER	QTY.	REV. REF	
						F	T
8708-8808	FJ62..WGV	1 58401E BOARD SUB-ASSY, DECK		58410-90A00-	1		002
8708-8808	FJ62..WGV	1 58418C PLATE, DECK BOARD		58418-90A00-	2		002
8708-8808	FJ62..WGV	1 58457E BRACKET, DECK BOARD, REAR		58457-90A00-	2		002
8708-8808	FJ62..WGV	1 61154A CUSHION, SIDE PANEL STIFFENER, NO.4		61154-90C00-	2		002

PROD. DATE	MODELS	DESCRIPTION	R / P	PART NUMBER	Q T Y.	REV. REF	
						F	T
8708-9001	FJ62	BRACKET, FRONT INNER SEAT TRACK, LOWER FRONT LH		72146-90A00-	1		
8708-9001	FJ62	ADJUSTER ASSY, RECLINING SEAT, OUTER RH		72510-90A03-	1		
8708-9001	FJ62	ADJUSTER ASSY, RECLINING SEAT, OUTER LH		72520-90A02-	1		
P 8708-9001	FJ62	HANDLE, RECLINING ADJUSTER RELEASE, RH		72525-14010-13	1		
P 8708-9001	FJ62	BROWN(TRIM4)		72525-14010-56	1		
P 8708-9001	FJ62	HANDLE, RECLINING ADJUSTER RELEASE, LH		72526-14010-43	1		
P 8708-9001	FJ62	BROWN(TRIM4)		72526-14010-56	1		
P 8708-9001	FJ62	COVER, RECLINING HINGE, RH		72551-90A00-03	1		
P 8708-9001	FJ62	SEPIA BROWN(TRIM4)		72551-90A00-16	1		
P 8708-9001	FJ62	COVER, RECLINING HINGE, LH		72552-90A00-03	1		
P 8708-9001	FJ62	SEPIA BROWN(TRIM4)		72552-90A00-16	1		
8708-8808	FJ62..WGV	LOCK SUB-ASSY, REAR SEAT BACK, RH		72630-90A20-	1	002	
8708-9001	FJ62..WGG			72630-90A17-	1		

PROD. DATE	MODELS	DESCRIPTION	R / P	PART NUMBER	Q T Y.	REV. REF	
						F	T
8708-8808	FJ62..WGV	LOCK SUB-ASSY, REAR SEAT BACK, LH		72640-90A20-	1	002	
8708-9001	FJ62..WGG			72640-90A17-	1		
8708-9001	FJ62..WGG	STRIKER SUB-ASSY, REAR SEAT CUSHION LOCK		72607-90A00-	1		
8708-9001	FJ62	CUSHION, REAR SEAT BACK LOCK		72645-90A0C-	2		
8708-9001	FJ62..WGG	ROD, REAR SEAT BACK LOCK		72651-90A00-	1		
P 8708-9001	FJ62..WGG	SUPPORT ASSY, REAR SEAT CUSHION		72660-90A00-03	1		
P 8708-9001	FJ62..WGG	GRAY(TRIM1)		72660-90A00-16	1		
P 8708-9001	FJ62..WGG	SEPIA BROWN(TRIM4)		72670-90A02-	1		
8708-9001	FJ62..WGG	STRIKER ASSY, REAR SEAT BACK LOCK, RH		72670-90A02-	1		
8708-9001	FJ62..WGG	STRIKER ASSY, REAR SEAT BACK LOCK, LH		72630-90A02-	1		
P 8708-9001	FJ62..WGG	COVER, REAR SEAT CUSHION LOCK		72694-90A00-03	1		
P 8708-9001	FJ62..WGG	GRAY(TRIM1)		72694-90A00-16	1		
P 8708-9001	FJ62..WGG	SEPIA BROWN(TRIM4)					

(8708-)

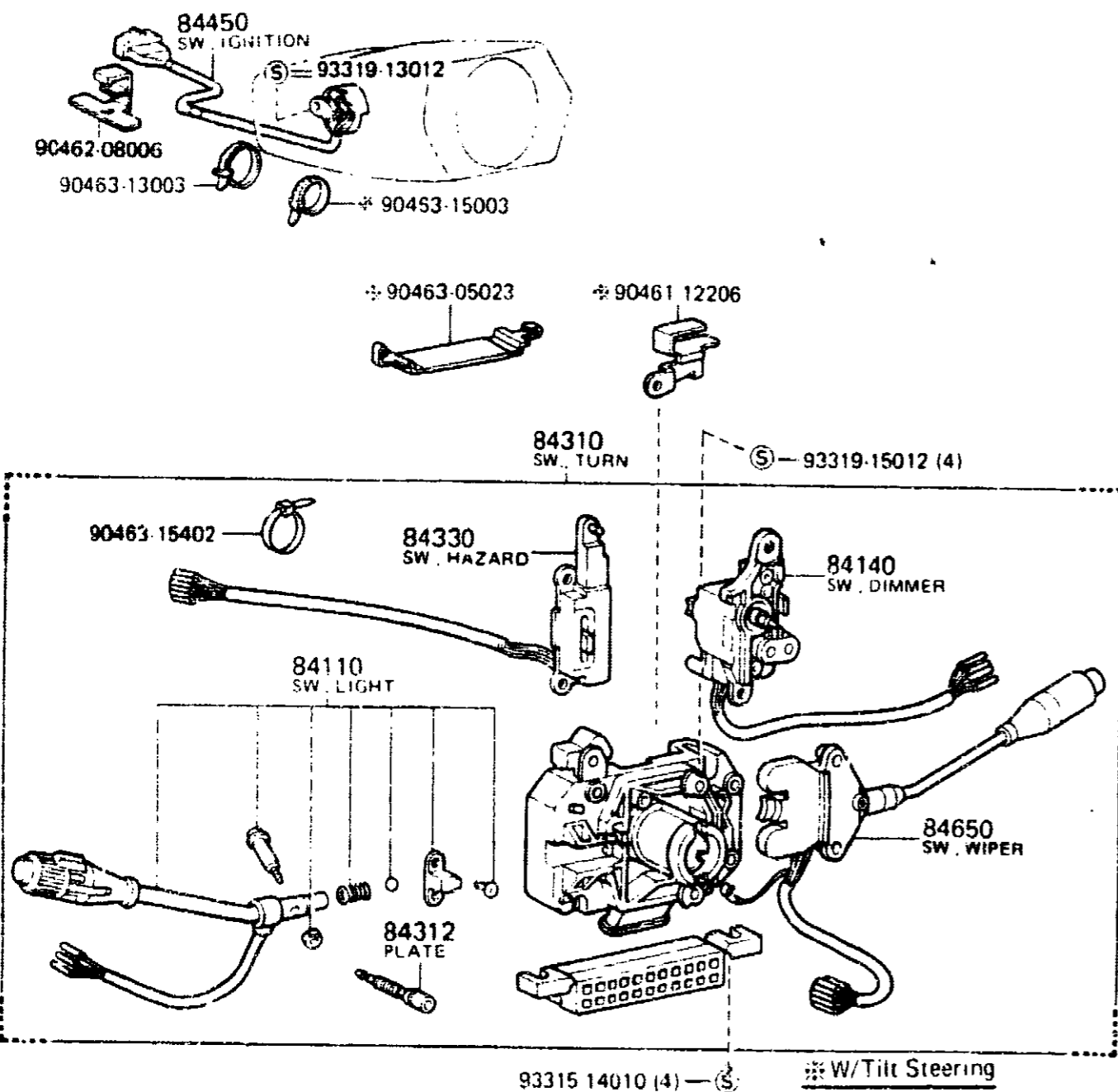


MB R449

PROD. DATE	MODELS	DESCRIPTION	R / P	PART NUMBER	QTY.	REV. REF	
						F	T
8708-9001	FJ62	58781 BAND, TOOL BAG 58791A CARRIER, JACK 58793A BRACKET, JACK CARRIER		58705-90A01-	1		
8708-9001	FJ62	64777D PROTECTOR, QUARTER INNER		L=110 64777-90A00-	1		

(8708-)

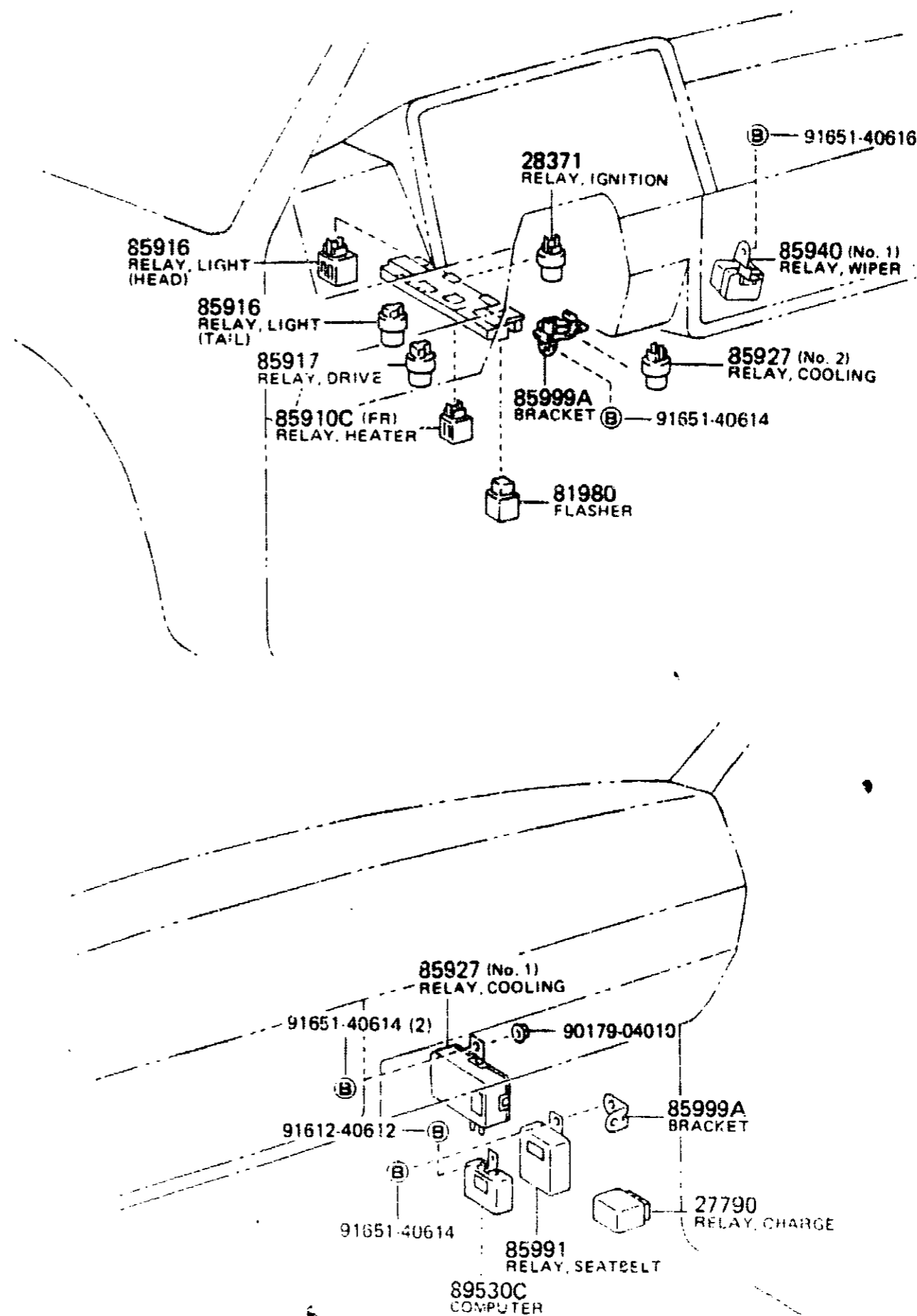
ILLUST. NO. 3 OF 5



ME J640

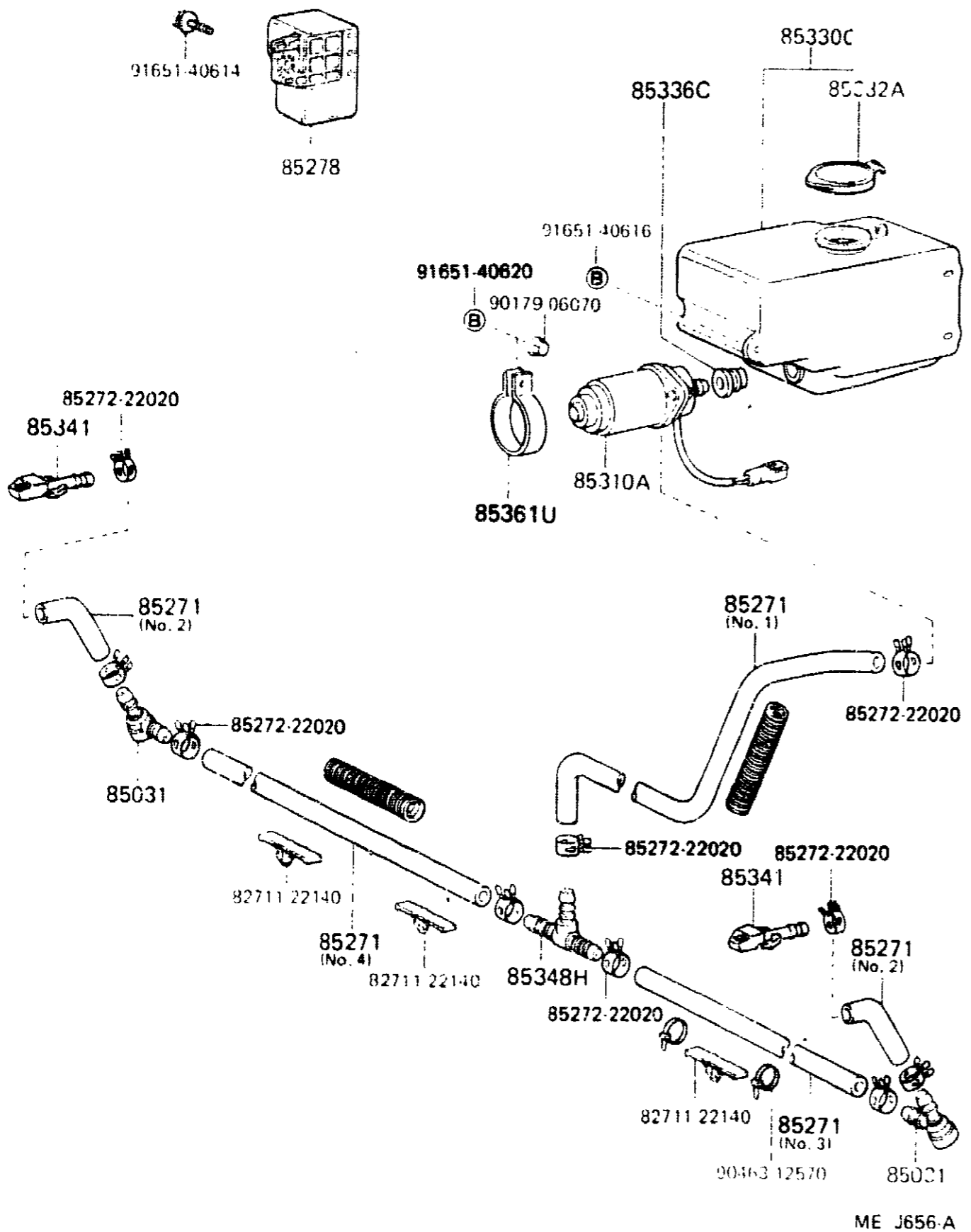
(8708-)

ILLUST. NO. 4 OF 5



ME J641-A

(8708-)



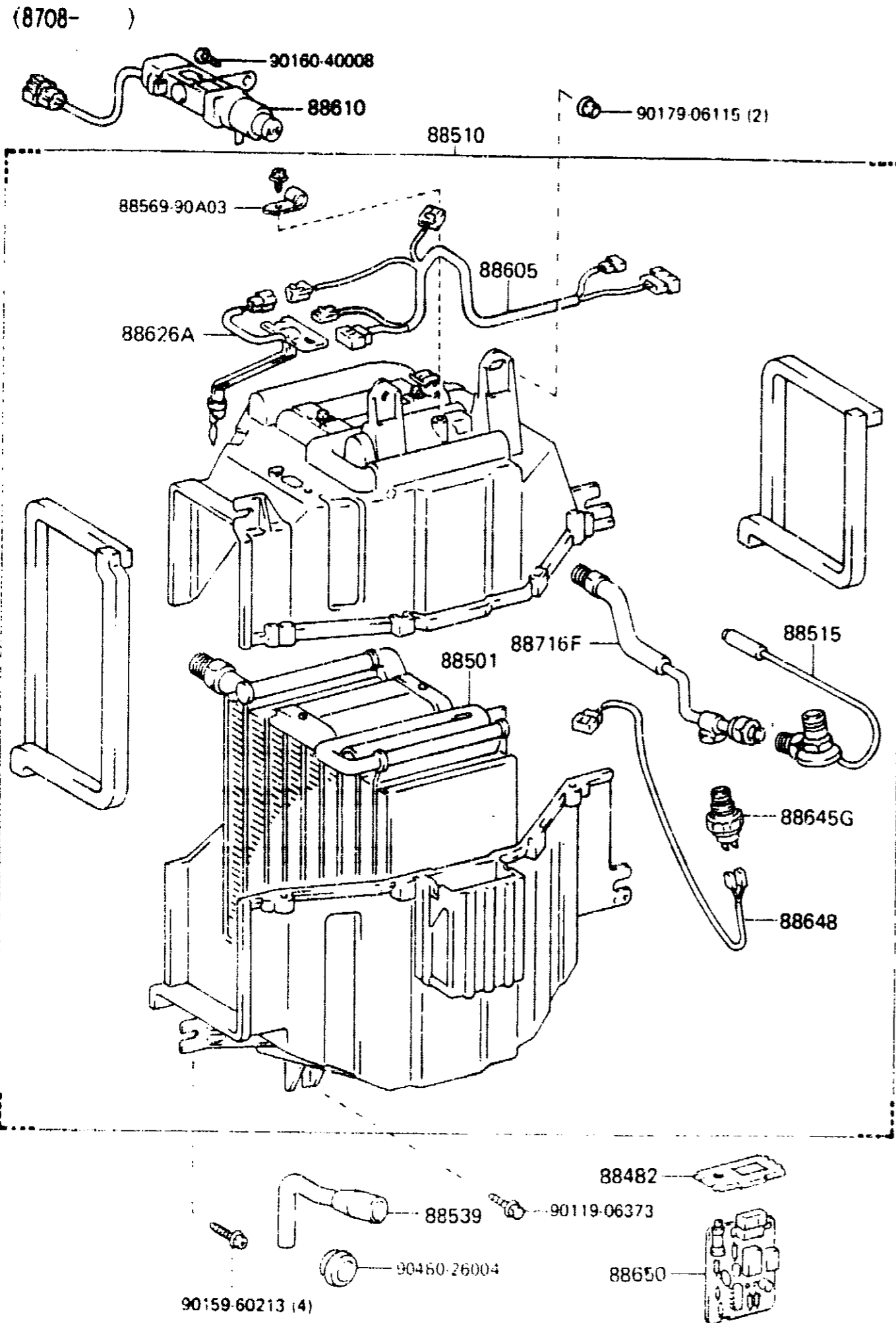
PROD. DATE	MODELS	DESCRIPTION	R / P	PART NUMBER	Q T Y.	REV. REF	
						F	T
P 8708-9001	FJ62	VALVE, HEADLAMP CLEANER WASHER HOSE		85031-30020-	2		002
P 8708-9001	FJ62	HOSE, HEADLAMP CLEANER, NO. 1		85271-90A00-	1		002
P 8708-9001	FJ62	NO. 2		85271-90A01-	2		002
P 8708-9001	FJ62	NO. 3		85271-90A02-	1		002
P 8708-9001	FJ62	*H, L=940, NO. 4		90445-14072-	1		002
8708-9001	FJ62	REI.AY ASSY, HEADLAMP CLEANER CONTROL		85276-14010-	1		
8708-9001	FJ62	MOTOR AND PUMP ASSY, HEADLAMP CLEANER WASHER		85310-22070-	1		
8708-9001	FJ62	JAR ASSY, HEADLAMP CLEANER WASHER		85330-90A04-	1		
8708-9001	FJ62	CAP, HEADLAMP CLEANER WASHER JAR		85332-90A00-	1		
8708-9001	FJ62	PACKING		85336-10010-	1		
P 8708-9001	FJ62	NOZZLE, HEADLAMP CLEANER WASHER		85035-90A03-	2		002
P 8708-9001	FJ62	JOINT, HEADLAMP CLEANER HOSE		85352-12010-	1		002

*H. L. - Cut hose to length as specified in remarks

FIG. 87-14 HEATING & AIR CONDITIONING - COOLER UNIT

3G11


791430M-01373



PROD. DATE	MODELS	DESCRIPTION	R / P	PART NUMBER	QTY.	REV. REF	
						F	T
	88482	CAP		88482-90A00-	1		
8708-9001	FJ62						
	88501	EVAPORATOR SUB-ASSY, COOLER, NO.1		88501-90A07-	1		
P 8708-9001	FJ62..CND			/	1		
P 8708-9001	FJ62..USA			/	1		
	88510	UNIT ASSY, COOLER		88510-90A04-	1		
P 8708-8909	FJ62..CND			/	1		
P 8708-8909	FJ62..USA			/	1		
N 8909-9001	FJ62..CND			88510-90A25-	1		
N 8909-9001	FJ62..WGG..USA			/	1		
	88515	VALVE, COOLER EXPANSION		88515-87004-	1		
8708-9001	FJ62..CND			/	1		
8708-9001	FJ62..USA			/	1		
	88539	HOSE, COOLER UNIT DRAIN, NO.1		88539-90A00-	1		
P 8708-9001	FJ62..CND			/	1		
P 8708-9001	FJ62..USA			/	1		
	88605	HARNESS SUB-ASSY, COOLER WIRING, NO.1		88605-90A09-	1		
P 8708-9001	FJ62..CND			/	1		
P 8708-9001	FJ62..USA			/	1		
	88610	SWITCH ASSY, COOLER CONTROL		88610-90A07-	1		
8708-9001	FJ62			/	1		
	88626A	HOLDER, THERMISTOR		88626-90A01-	1		
P 8708-8909	FJ62..CND			/	1		


PART NUMBER	LOCATION	PART NUMBER	LOCATION	PART NUMBER	LOCATION	PART NUMBER	LOCATION	PART NUMBER	LOCATION	PART NUMBER	LOCATION
P 81521-90A13-	3C8	82181-90A00-	3A9	84722-60070-	3J9	85450-90A04-	3I10	87130-90A01-	3F11	P 88375-20010-	3C12
P 81550-90A11-	3F8	82182-90A02-	3A9	P 84730-90A00-	3J9	-90A06-	3I10	87138-22030-	3F11	P -30270-	3C12
P 81551-90A00-	3F8	82183-90A01-	3A9	N -90A02-	3J9	85460-90A02-	3I10	-90K02-	3F11	P 88376-22010-	3C12
P 81552-90A00-	3F8	82184-90A03-	3A9	84732-90A00-	3J9	85470-90A02-	3I10	87150-90A14-	3F11	P -22020-	3C12
P 81554-90A12-	3F8	82185-90A05-	3A9	84760-90A01-	3J9	85480-90A02-	3I10	87201-90A02-	3J11	P 88403-12030-	3C12
P 81557-90A00-	3F8	82187-90A00-	3A9	84790-90A09-	3J9	85500-90A07-	3J9	-90A04-	3J11	B -16011-	3C12
P 81558-90A00-	3G8	82282-90A04-	3B9	P 84810-90A02-03	3J9	85520-14030-	3J9	87208-90A15-	3L11	B 88410-22080-	3C12
P 81560-90A11-	3F8	-90A05-	3B9	-90A02-06	3J9	85710-90A00-	3I10	-90K06-	3L11	B -60120-	3C12
P 81561-90A00-	3F8	82291-90A02-	3B9	P -90A03-03	3J9	-90A01-	3I10	87211-90A01-	3J11	B 88411-14050-	3B12
P 81562-90A00-	3F8	82345-12050-	3B9	P -90A03-06	3J9	85720-90A00-	3I10	87212-90A00-	3F11	B -60020-	3B12
P 81564-90A12-	3F8	-32020-	3B9	P 84820-90A08-03	3J9	-90A01-	3I10	87240-90A00-	3L11	B 88412-22030-	3B12
P 81566-90A03-	3D8	82616-12010-	3H9	P -90A08-06	3J9	85910-14020-	3L9	-90A02-	3F11	B -28030-	3B12
P 81610-90A00-	3D8	82650-12020-	3H9	84870-14060-	3J9	85913-30020-	3J9	87245-90A00-	3L11	B 88431-60040-	3C12
P 81611-90A00-	3D8	-20011-	3H9	-22040-	3J9	85915-60010-	3L9	-90A27-	3L11	-60100-	3C12
P 81612-90A00-	3D8	82670-90K00-	3B9	-90A00-	3J9	85927-60040-	3K9	-90A28-	3L11	88440-35010-	3C12
P 81615-90A03-	3D8	82683-90A20-	3H9	84956-60030-	3J9	85930-90A00-	3K9	-90A29-	3L11	88460-90A14-	3M11
P 81620-90A03-	3D8	-90A21-	3H9	85010-90A00-	3C10	85940-90A09-	3K9	-90A30-	3L11	88469-22010-	3M11
P 81621-90A00-	3D8	82821-12150-	3H9	P 85031-30020-	3G10	-90A10-	3K9	-90A40-	3L11	88470-14010-	3M11
P 81730-14110-	3E8	83101-14040-	3D9	85035-90A02-	3F10	85991-20020-	3K9	-90A41-	3L11	88472-90A01-	3M11
A -90A05-	3E8	-20040-	3D9	P -90A03-	3G10	85999-12050-	3K9	-90A50-	3L11	88482-90A00-	3G11
P 81731-14110-	3E8	-36010-	3D9	85120-90A35-	3A10	-89101-	3K9	-90K36-	3L11	P 88501-90A07-	3G11
P 81740-14110-	3E8	83110-90A46-	3D9	85160-90A07-	3A10	86120-20680-	3K10	-90K53-	3L11	P 88510-90A04-	3G11
A -90A05-	3E8	-90A47-	3D9	A 85164-90A02-	3A10	-32130-	3K10	87248-90A01-	3F11	N -90A25-	3G11
P 81741-14110-	3E8	83132-90A04-	3D9	A 85165-90A01-	3A10	-32211-	3K10	-90A03-	3F11	88515-87004-	3G11
P 81750-91255-	3I8	83134-90A06-	3D9	85174-12320-	3C10	-32340-	3K10	-90A22-	3L11	P 88539-90A00-	3G11
P 81751-14030-	3I8	83138-90A00-	3D9	85178-12320-	3C10	-32370-	3K10	-90A24-	3L11	88578-90A02-	3M11
P 81754-91255-	3I8	83145-90A01-	3D9	-90A00-	3A10	-32390-	3K10	-90A25-	3L11	P 88605-90A09-	3G11
P 81755-20060-	3I8	-90A02-	3D9	85190-90A02-	3A10	-90A18-	3K10	87286-90A01-	3J11	P 88610-90A07-	3G11
P 81850-90A14-	3E9	83243-90A03-	3D9	-90A06-	3C10	86128-17150-	3K10	P 87810-90A03-	3C11	P 88626-90A01-	3G11
-90A15-	3E9	83244-90A02-	3D9	85192-14010-	3A10	-17190-	3K10	P 87828-90A00-	3C11	N -90A02-	3H11
-90A25-	3E9	83245-90A03-	3D9	85195-95700-	3C10	-20020-	3K10	P -90A01-	3C11	88630-14010-	3J9
-90A31-	3E9	83246-90A05-	3D9	85210-90A01-	3A10	-20040-	3K10	P 87834-14011-28	3C11		3K9
-90A35-	3E9	83247-90A05-	3D9	85220-16270-	3A10	-22690-	3K10	P 87910-90A18-	3C11	88645-30250-	3H11
81930-90A10-	3E9	83270-90A10-	3D9	-16340-	3A10	-22710-	3K10	P -90A19-	3C11	88648-90A00-	3H11
-90A15-	3E9	-90A15-	3D9	-90A02-	3C10	-28140-	3K10	N -90A20-	3C11	88650-90A03-	3H11
81980-16010-	3H9	83320-69015-	3H9	85221-30100-	3A10	-28160-	3K10	P 87911-90A05-	3C11	88711-90A09-	3M11
82121-90A03-	3M8	83361-20030-	3I9	-90A02-	3C10	-32190-	3K10	P -32210-	3K10	P 87940-90A09-	3D11
-90A04-	3M8	83420-20020-	3I9	85247-90A01-	3B10	86151-90K01-	3M10	P -90A11-	3C11	88716-90A27-	3H11
82122-90A01-	3K8	83520-60010-	3I9	P 85271-90A00-	3G10	86160-90A05-	3M10	N -90A15-	3D11	-90A43-	3M11
82124-90A01-	3M8	83710-90A06-	3D9	P -90A01-	3G10	-70A06-	3M10	B -90A15-	3D11	88721-90A07-	3M11
82125-90A09-	3M8	-90A13-	3D9	-90A02-	3G10	-90K02-	3M10	B -6C280-	3B12	-90A08-	3M11
82131-90G89-	3M8	-90A20-	3D9	85276-14010-	3G10	86209-90A00-	3M10	B 88320-60151-	3B12	88723-12010-	3M11
-90G98-	3M8	83910-90A11-	3D9	85310-14080-	3D10	86211-90A06-	3K10	B 88321-14011-	3B12	89412-12010-	3K9
82132-90A15-	3M8	84112-69295-	3I9	-22070-	3G10	86212-90A03-	3K10	B -14021-	3B12	89422-20010-	3L9
82141-90A20-	3M8	84118-90A00-	3I9	-22080-	3F10	86260-12180-	3K10	B -14020-	3B12	-30020-	3L9
-90A21-	3M8	84119-90A01-	3I9	85330-90A04-	3G10	-20170-	3K10	88335-12030-	3C12	89428-14070-	3L9
82151-90A05-	3A9	84140-35080-	3I9	-90A07-	3D10	-30250-	3K10	-12050-	3B12	-36010-	3K9
-90A08-	3M8	84222-60021-	3I9	-90A08-	3F10	86269-90K00-	3M10	B -14010-	3C12	89437-60010-	3K9
-90A10-	3A9	-60030-	3I9	85332-20050-	3F10	-90K01-	3M10	B -14020-	3C12	B 89452-14050-	3L9
-90A13-	3A9	-60040-	3I9	-90A00-	3G10	86300-90A17-	3A11	88341-14010-	3B12	P -28030-	3L9
82152-90A05-	3A9	-60071-	3I9	85333-20020-	3D10	-90A25-	3A11	B -14020-	3B12	89462-20010-	3L9
-90A06-	3A9	84230-22051-	3I9	-60010-	3D10	86510-22120-	3B11	88342-14010-	3B12	-20040-	3L9
82153-90A01-	3A9	84231-28010-	3I9	85336-10010-	3G10	86520-22120-	3B11	B -14020-	3B12	89465-69015-	3K9
82154-90A03-	3A9	84242-90A00-	3I9	85338-22020-	1L2	86995-90A02-	3E9	88343-14011-	3C12	A 89466-20020-	3K9
82155-90A02-	3A9	84310-60700-	3I9	85341-90A05-	3D10	87104-90A00-	3F11	B -14020-	3C12	A -30010-	3K9
82161-90A40-	3A9	84312-20011-	3I9	-90A08-	3D10	-90K03-	3F11	88344-14011-	3C12	89530-60020-	3K9
82162-90A38-	3A9	84340-22072-	3I9	85348-89101-	3D10	87105-14020-	3F11	B -14020-	3C12	89620-14410-	3K9
82163-90A21-	3A9	84380-20010-	3I9	85349-89122-	3F10	-87002-	3F11	B 88356-12010-	3C12	89661-60010-	3L9
82164-90A03-	3A9	84450-60150-	3I9	P 85352-12010-	3G10	87107-90A04-	3F11	B 88360-14030-	3C12	-60011-	3L9
82166-90A00-	3A9	84460-22010-	2E8	85355-14481-	3F10	-90A06-	3F11	-40010-	3C12	-60020-	3L9
82171-90A10-	3A9	84540-60020-	3I9	-20200-	3F10	87110-90A02-	3F11	88371-60101-	3C12	-60021-	3L9
82173-90A00-	3A9	84652-69345-	3I9	85361-10070-	3H10	87126-16010-	3F11	N -60170-	3C12	89667-60010-	3M9
		84653-32020-	3J9	85440-60120-	3J9	-90A01-	3F11	P 88374-12020-	3C12	89668-60010-	3M9

2M4 (41-01) **1**




Rear Axle Housing

2H5 (41-02) **2**




Rear Axle Shaft & Hub

2K5 (41-03) **3**



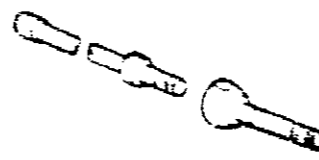
Disc Wheel & Cap

2C6 (43-01) **4**




Front Axle Housing

2J6 (43-02) **5**



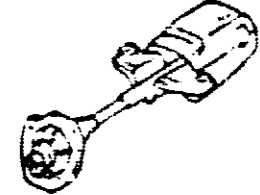
Drive Shaft

2K6 (43-03) **6**



Front Axle Hub

2M6 (45-01) **7**




Steering Column & Shaft

2K9 (48-04) **21**



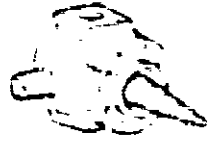
Rear Spring

2G9 (48-03) **20**



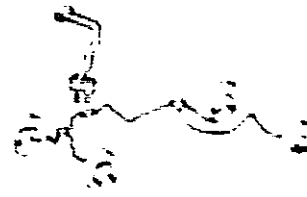
Front Spring

2E9 (48-02) **19**

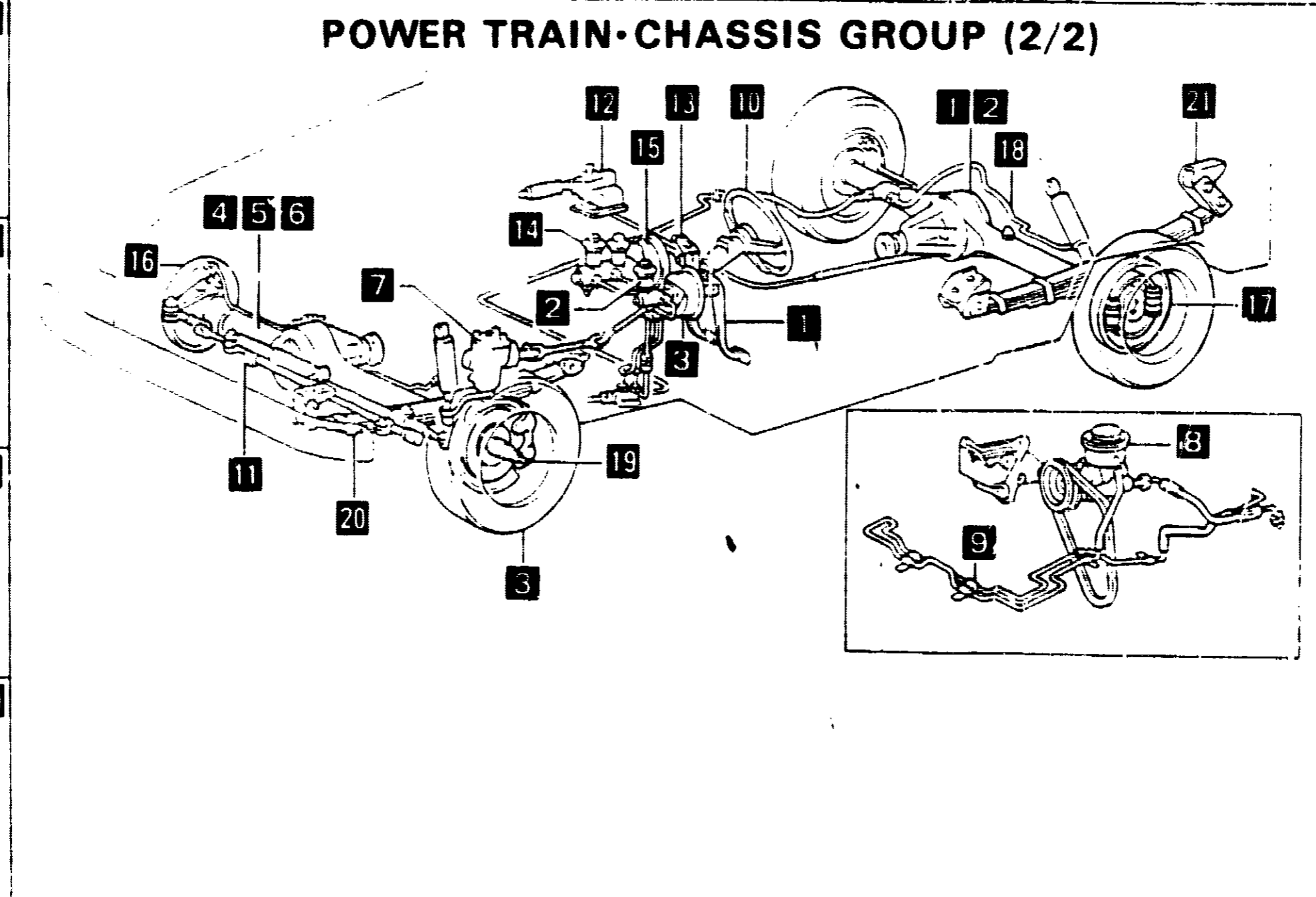


Front Axle Arm


2M8 (47-08) **18**



Rear Disc Brake Caliper




2J8 (47-06) **17**




Rear Backing Plate

2H8 (47-05) **16**




Front Disc Brake Caliper

2F8 (47-03) **15**




Brake Booster

2D8 (47-02) **14**



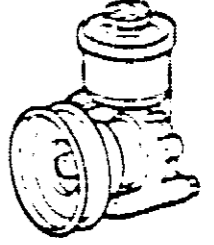
Brake Master Cylinder

2C8 (47-01) **13**



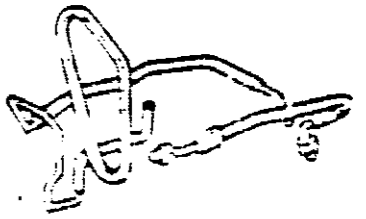
Brake Pedal & Bracket

2D7 (45-02) **8**



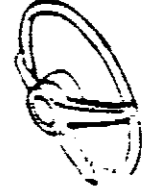
Vane Pump & Reservoir

2G7 (45-03) **9**



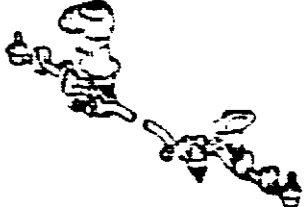
Oil Cooler & Tube

2H7 (45-04) **10**




Steering Wheel

2I7 (45-05) **11**



Steering Gear & Link

2A8 (46-01) **12**

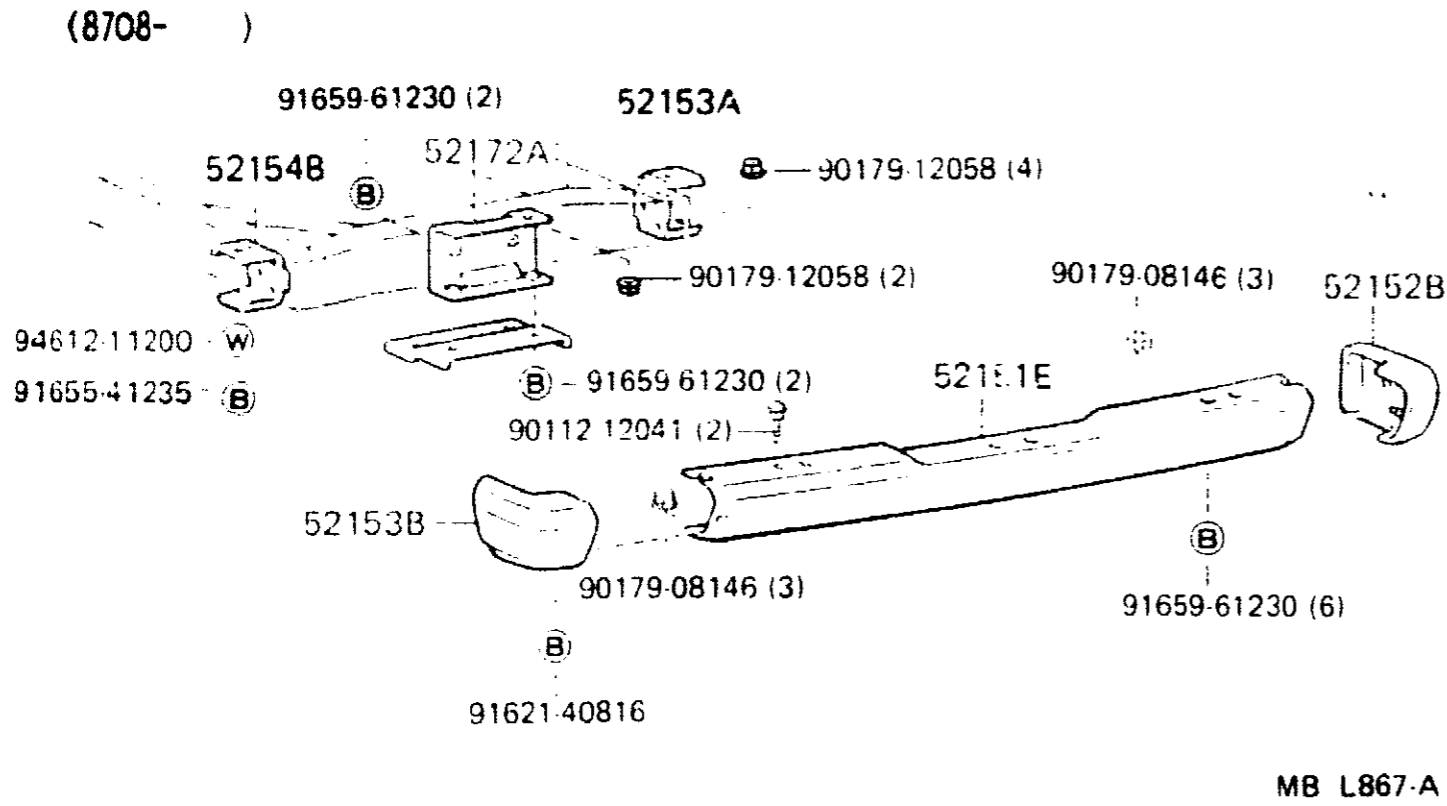


Parking Brake & Cable

FIG. 52-53 REAR BUMPER & BUMPER STAY

3 Hi

791430M-01244



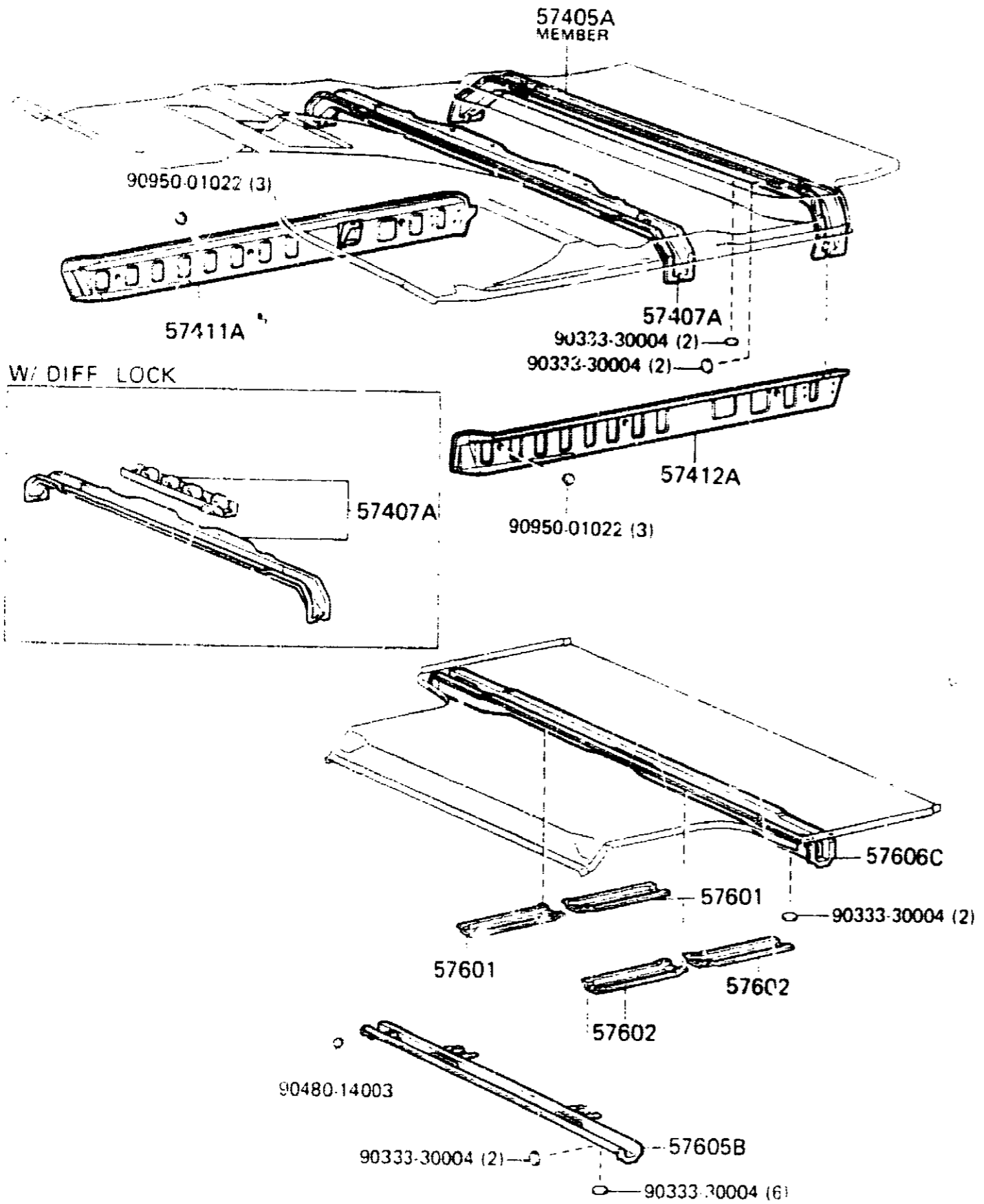
PROD. DATE	MODELS	DESCRIPTION	R / P	PART NUMBER	Q T Y.	REV. REF	
						F	T
8708-9001	FJ62	52151E BAR, REAR BUMPER		52151-60041-	1		
8708-9001	FJ62	52152B EXTENSION, REAR BUMPER, RH		52106-60010-	1		
8708-9001	FJ62	52153A STAY, REAR BUMPER SIDE, RH		52153-60060-	1		
8708-9001	FJ62	52153B EXTENSION, REAR BUMPER, LH		52107-60010-	1		
8708-9001	FJ62	52154B STAY, REAR BUMPER SIDE, LH		52154-60010-	1		
8708-9001	FJ62	52172A REINFORCEMENT, REAR BUMPER BAR, CENTER		52172-60020-	1		

FIG. 57-51 FLOOR MEMBER

3H2

791430M-01257

(8708-)



MB L894-A

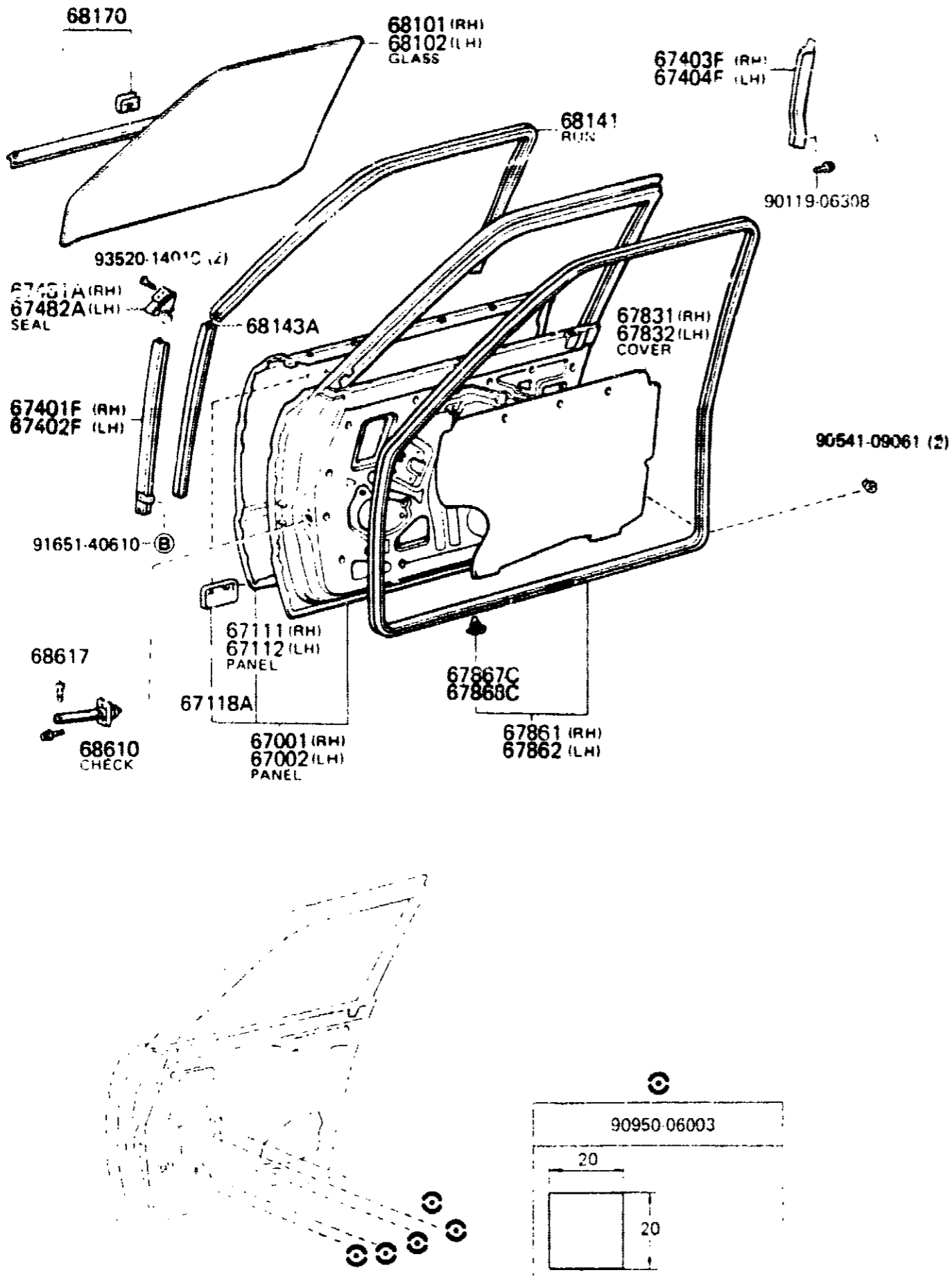
PROD. DATE	MODELS	DESCRIPTION	R / P	PART NUMBER	Q T Y.	REV. REF	
						F	T
8708-9001	FJ62	1 57405A MEMBER SUB-ASSY, CENTER FLOOR CROSS, NO.2		57405-90A07-	1		
8708-9001	FJ62	1 57407A MEMBER SUB-ASSY, CENTER FLOOR CROSS		57407-90A43-	1		
8708-9001	FJ62..CND	W(DIFFERENTIAL LOC K)		57407-90A46-	1		
8708-9001	FJ62..USA	W(DEFERENTIAL LOC K)			1		
8708-9001	FJ62	1 57411A MEMBER, FLOOR SIDE, INNER RH		57401-90A05-	1		
8708-9001	FJ62	1 57412A MEMBER, FLOOR SIDE, INNER LH		57402-90A05-	1		
8708-9001	FJ62	1 57601 MEMBER SUB-ASSY, REAR FLOOR SIDE, RH		57635-90A03-	2		
8708-9001	FJ62	1 57602 MEMBER SUB-ASSY, REAR FLOOR SIDE, LH		57635-90A03-	2		
8708-9001	FJ62	1 57605B MEMBER SUB-ASSY, REAR FLOOR CROSS, NO.1		57605-90A02-	1		
8708-9001	FJ62	1 57606C MEMBER SUB-ASSY, REAR FLOOR CROSS, NO.2		57606-90A09-	1		

PROD. DATE	MODELS	DESCRIPTION	R / P	PART NUMBER	Q T Y.	REV. REF	
						F	T
8708-9001	61197A FJ62	COVER, FRONT PILLAR, RH		61197-90A00-	1		
8708-9001	61198A FJ62	COVER, FRONT PILLAR, LH		61197-90A00-	1		
8708-9001	61211 FJ62	RAIL, ROOF SIDE, OUTER RH		61211-90A01-	1		
8708-9001	61212 FJ62	RAIL, ROOF SIDE, OUTER LH		61212-90A01-	1		
8708-9001	61231 FJ62	RAIL, ROOF SIDE, INNER RH		61231-90A03-	1		
8708-9001	61232 FJ62	RAIL, ROOF SIDE INNER, LH		61232-90A02-	1		
8708-9001	61263B FJ62	CHANNEL, ROOF DRIP SIDE, FRONT RH		61263-90A01-	1		
8708-9001	61264B FJ62	CHANNEL, ROOF DRIP SIDE, FRONT LH		61264-90A01-	1		
8708-9001	61267A FJ62	CHANNEL, ROOF DRIP SIDE, REAR RH		61267-90A00-	1		
8708-9001	61268 FJ62	CHANNEL, ROOF DRIP SIDE, REAR LH		61268-90A00-	1		

PROD. DATE	MODELS	DESCRIPTION	R / P	PART NUMBER	Q T Y.	REV. REF	
						F	T
8708-9001	61301 FJ62	PILLAR SUB-ASSY, CENTER BODY, RH		61330-90A04-	1		
8708-8809	61302 FJ62	PILLAR SUB-ASSY, CENTER BODY, LH		61340-90A07-	1		002
8809-9001	61341C FJ62..WGG	PILLAR, CENTER BODY, INNER UPPER RH		61340-90A05-	1		003
8708-9001	61342C FJ62	PILLAR, CENTER BODY, INNER UPPER LH		61341-90A00-	1		
8708-9001	61345B FJ62	PILLAR, CENTER BODY, INNER LOWER RH		61342-90A00-	1		
8708-9001	61346B FJ62	PILLAR, CENTER BODY, INNER LOWER LH		61345-90A00-	1		
8708-9001	61411 FJ62	PANEL, ROCKER, OUTER RH		61346-90A00-	1		
8708-9001	61412 FJ62	PANEL, ROCKER, OUTER LH		61401-90A06-	1		
8708-9001	61503B FJ62	REINFORCEMENT SUB-ASSY, QUARTER LOCK PILLAR, RH		61402-90A06-	1		
8708-9001	61504B FJ62	REINFORCEMENT SUB-ASSY, QUARTER LOCK PILLAR, LH		61503-90A00-	1		
8708-9001				61504-90A00-	1		

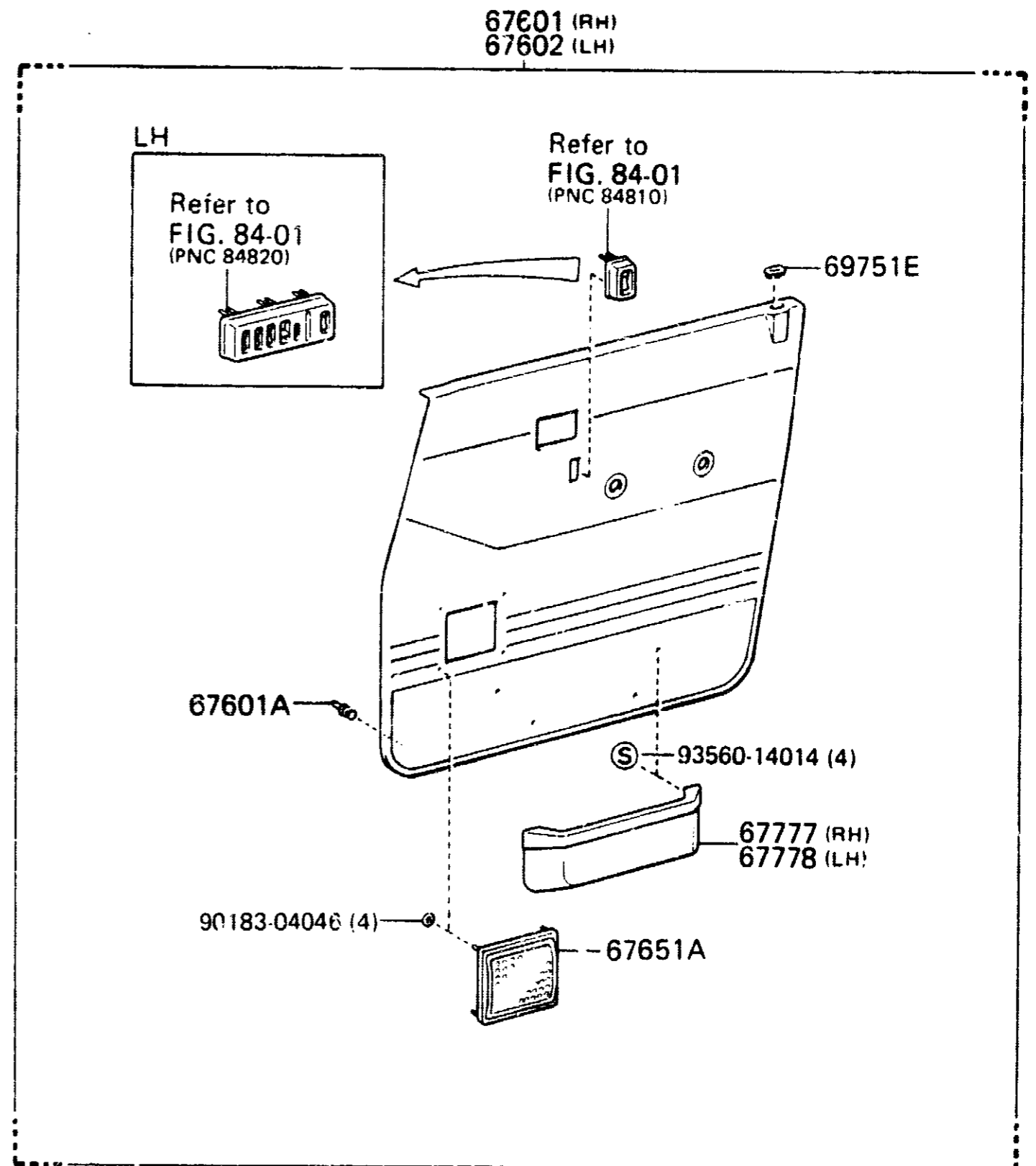
(8708-)

ILLUST. NO. 1 OF 2



(8708-)

ILLUST. NO. 2 OF 2



MB M004-A

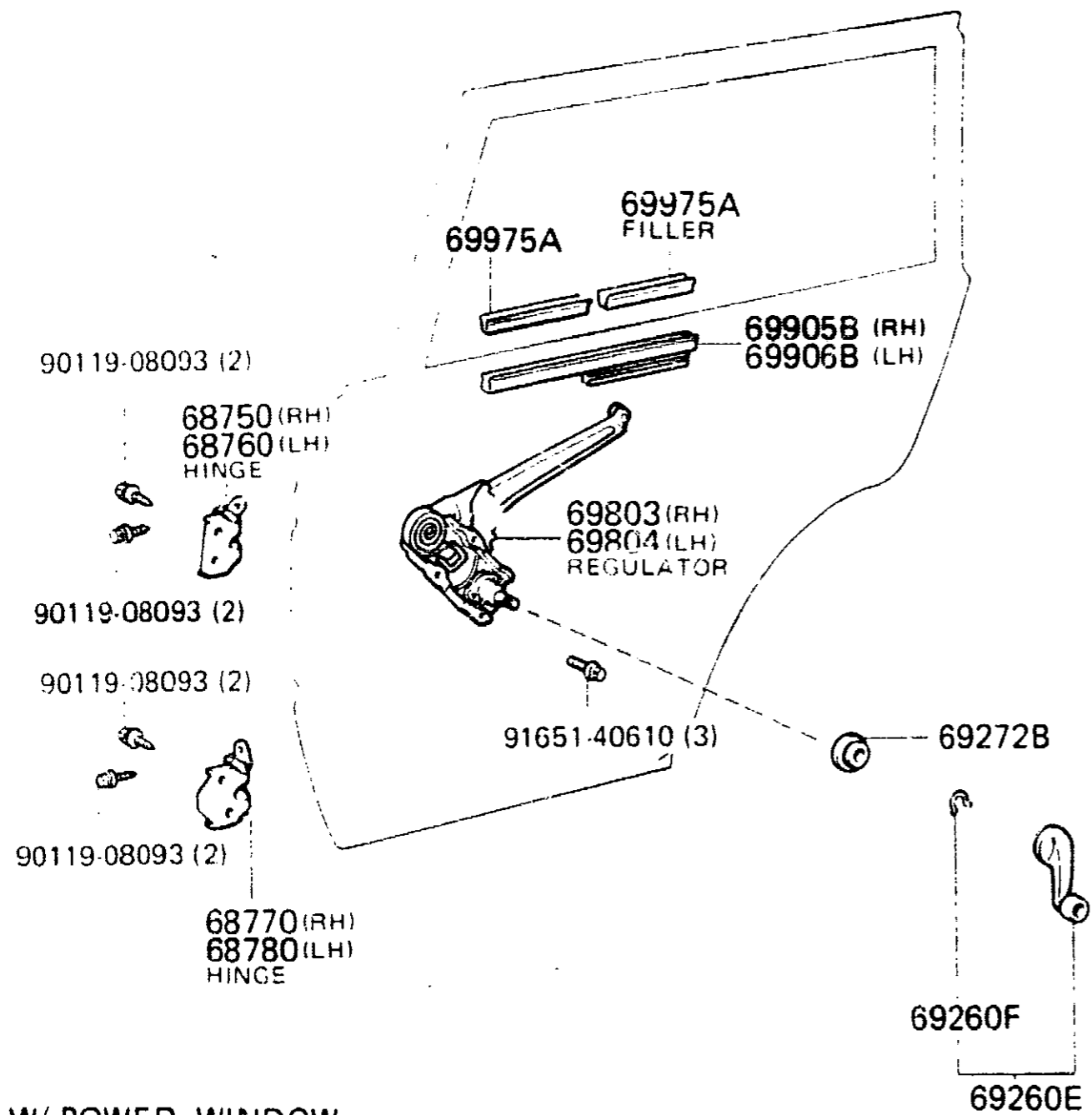
MB M003

FIG. 67-57 REAR DOOR WINDOW REGULATOR & HINGE

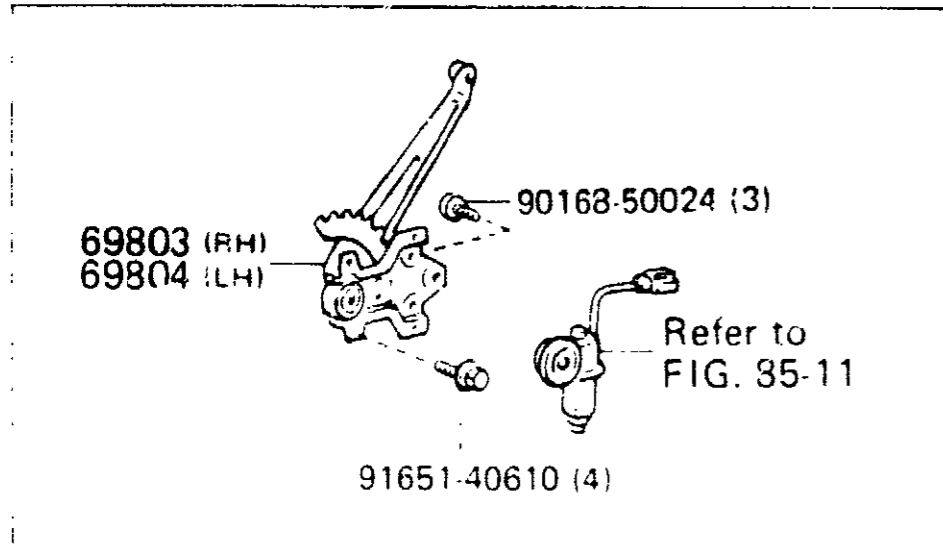
3H5

791430M-01296

(8708-)



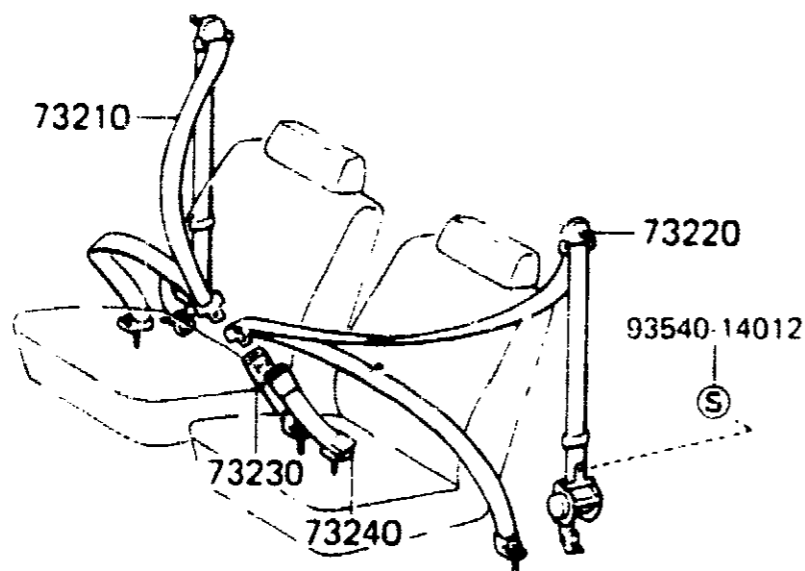
W/ POWER WINDOW



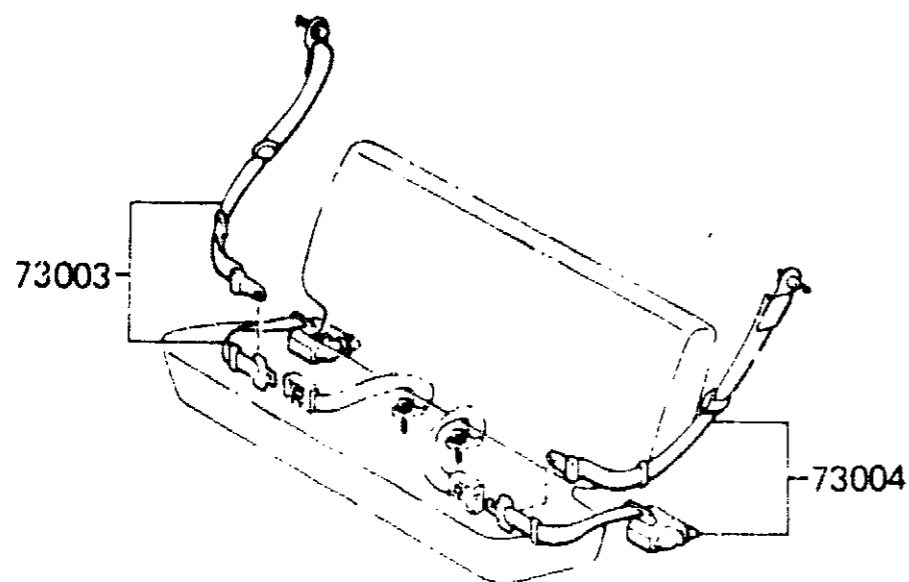
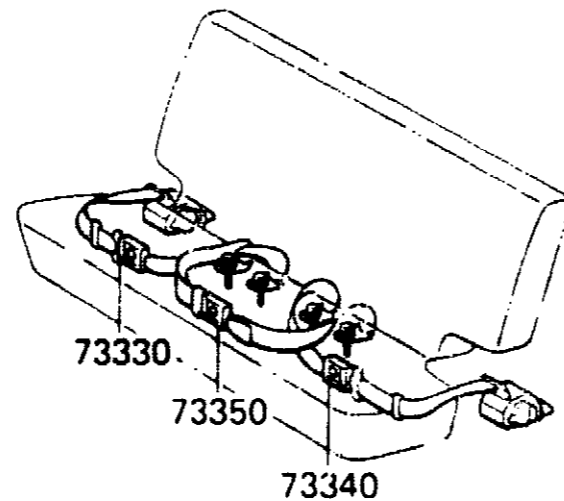
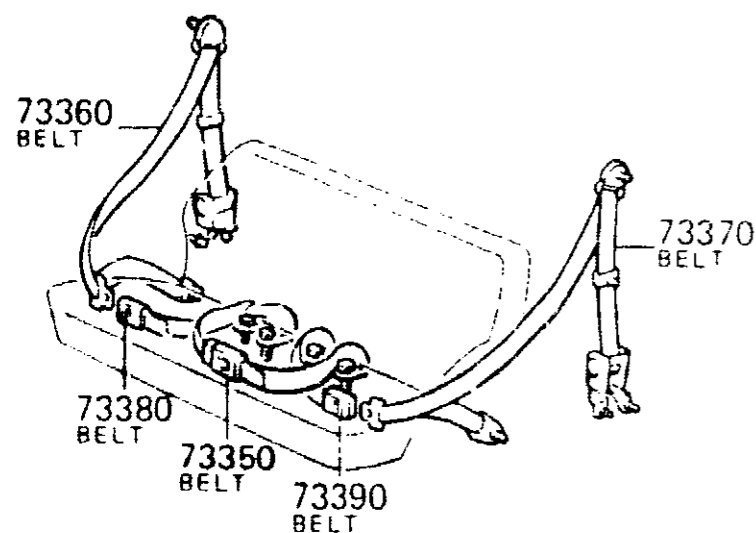
MB L955

PROD. DATE	MODELS	DESCRIPTION	R / P	PART NUMBER	Q T Y.	REV. REF	
						.	T
8708-9001	FJ62	HINGE ASSY, REAR DOOR, UPPER RH		68710-30080-	1		
8708-9001	FJ62	HINGE ASSY, REAR DOOR, UPPER LH		68720-30020-	1		
8708-9001	FJ62	HINGE ASSY, REAR DOOR, LOWER RH		68730-14020-	1		
8708-9001	FJ62	HINGE ASSY, REAR DOOR, LOWER LH		68740-14020-	1		
P 8708-9001	FJ62	HANDLE ASSY, REAR DOOR WINDOW REGULATOR GRAY (TRIM1)		69260-12010-03	2		
P 8708-9001	FJ62	HANDLE ASSY, REAR DOOR WINDOW REGULATOR BROWN (TRIM4)		69260-12010-46	2		
8708-9001	FJ62	RING, SHAFT SNAP (FOR REAR DOOR WINDOW REGULATOR HANDLE)		90520-01002-	2		
8708-9001	FJ62	PLATE, REAR DOOR REGULATOR INSIDE HANDLE NATURAL WHITE (TRIM 1,4)		69285-22010-08	2		
8708-9001	FJ62	REGULATOR SUB-ASSY, REAR DOOR WINDOW, RH W (POWER WINDOW)		69803-90A00-	1		
8708-9001	FJ62	REGULATOR SUB-ASSY, REAR DOOR WINDOW, LH W (POWER WINDOW)		69830-90A01-	1		
8708-9001	FJ62	REGULATOR SUB-ASSY, REAR DOOR WINDOW, RH W (POWER WINDOW)		69804-90A00-	1		
8708-9001	FJ62	REGULATOR SUB-ASSY, REAR DOOR WINDOW, LH W (POWER WINDOW)		69840-90A01-	1		

(8708-)



W/ ELR

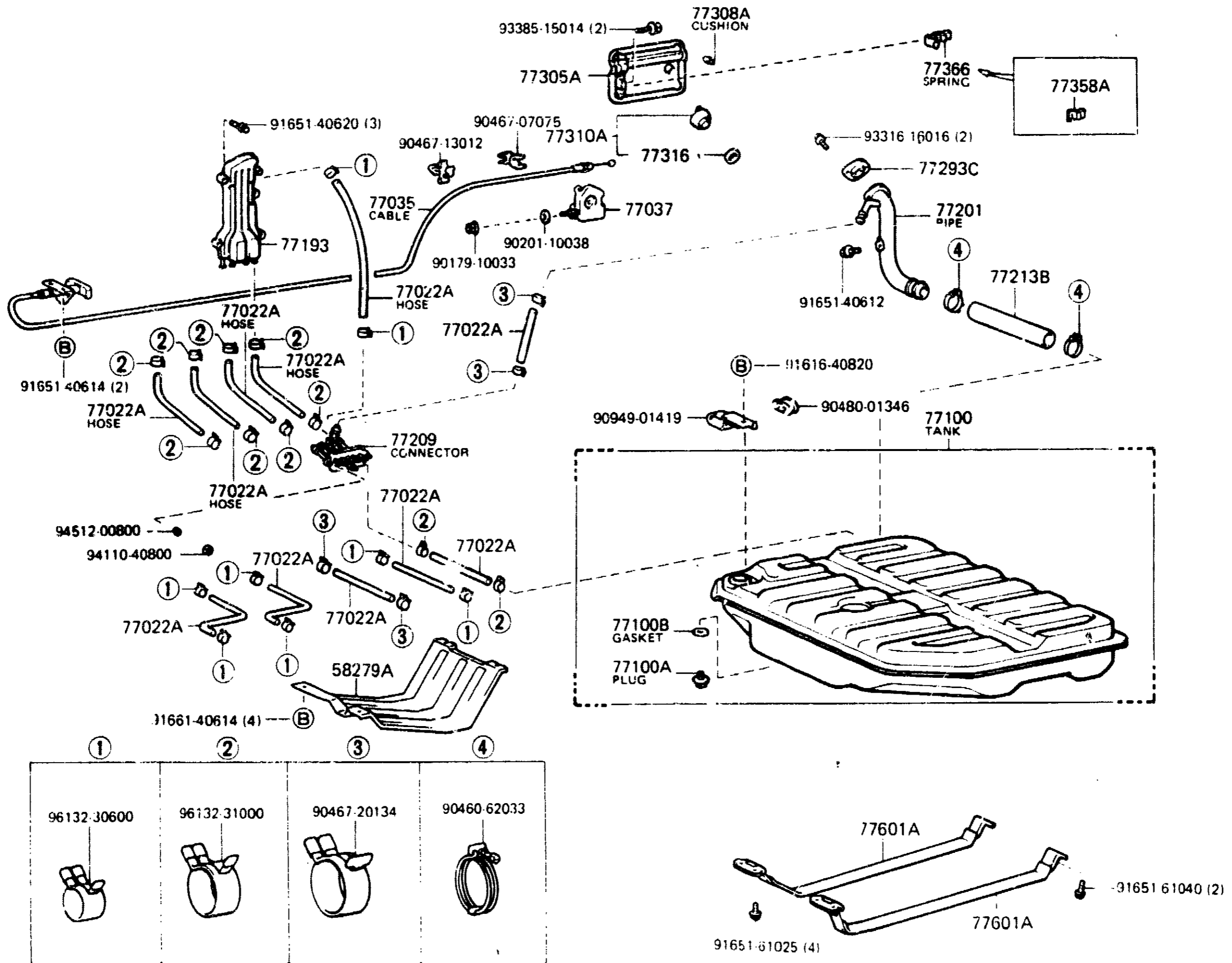


MB M013-B

PRCD. DATE	MODELS	DESCRIPTION	R / P	PART NUMBER	Q T Y.	REV. REF	
						F	T
	73003	BELT SET, REAR SEAT 3 POINT TYPE, RH					
8708-8808	FJ62..WGG	GRAY (TRIM1)		73003-90A00-03	1		002
8708-8808	FJ62..WGG	SEPIA BROWN (TRIM4)		73003-90A00-06	1		002
	73004	BELT SET, REAR SEAT 3 POINT TYPE, LH					
8708-8808	FJ62..WGG	GRAY (TRIM1)		73003-90A00-03	1		002
8708-8808	FJ62..WGG	SEPIA BROWN (TRIM4)		73003-90A00-06	1		002
	73210	BELT ASSY, FRONT SEAT OUTER, RH					
8708-8808	FJ62	GRAY (TRIM1)		73210-90A26-03	1		002
8708-8808	FJ62	SEPIA BROWN (TRIM4)		73210-90A26-06	1		002
P 8808-9001	FJ62..WGG	GRAY (TRIM1)		73210-90A29-03	1	003	
P 8808-9001	FJ62..WGG	SEPIA BROWN (TRIM4)		73210-90A29-06	1	003	
	73220	BELT ASSY, FRONT SEAT OUTER, LH					
8708-8808	FJ62	GRAY (TRIM1)		73220-90A15-03	1		002
8708-8808	FJ62	SEPIA BROWN (TRIM4)		73220-90A15-06	1		002
P 8808-9001	FJ62..WGG	GRAY (TRIM1)		73220-90A17-03	1	003	
P 8808-9001	FJ62..WGG	SEPIA BROWN (TRIM4)		73220-90A17-06	1	003	
	73230	BELT ASSY, FRONT SEAT INNER, RH					
P 8708-9001	FJ62	SEPIA BROWN (TRIM4)		73230-90A17-06	1		
P 8708-9001	FJ62	SHADOW GRAY (TRIM1)		73230-90A17-13	1		
	73240	BELT ASSY, FRONT SEAT INNER, LH					
P 8708-9001	FJ62	SHADOW GRAY (TRIM1)		73240-90A20-03	1		
P 8708-9001	FJ62	SEPIA BROWN (TRIM4)		73240-90A20-06	1		

(8708-)

ILLUST. NO. 1 OF 2



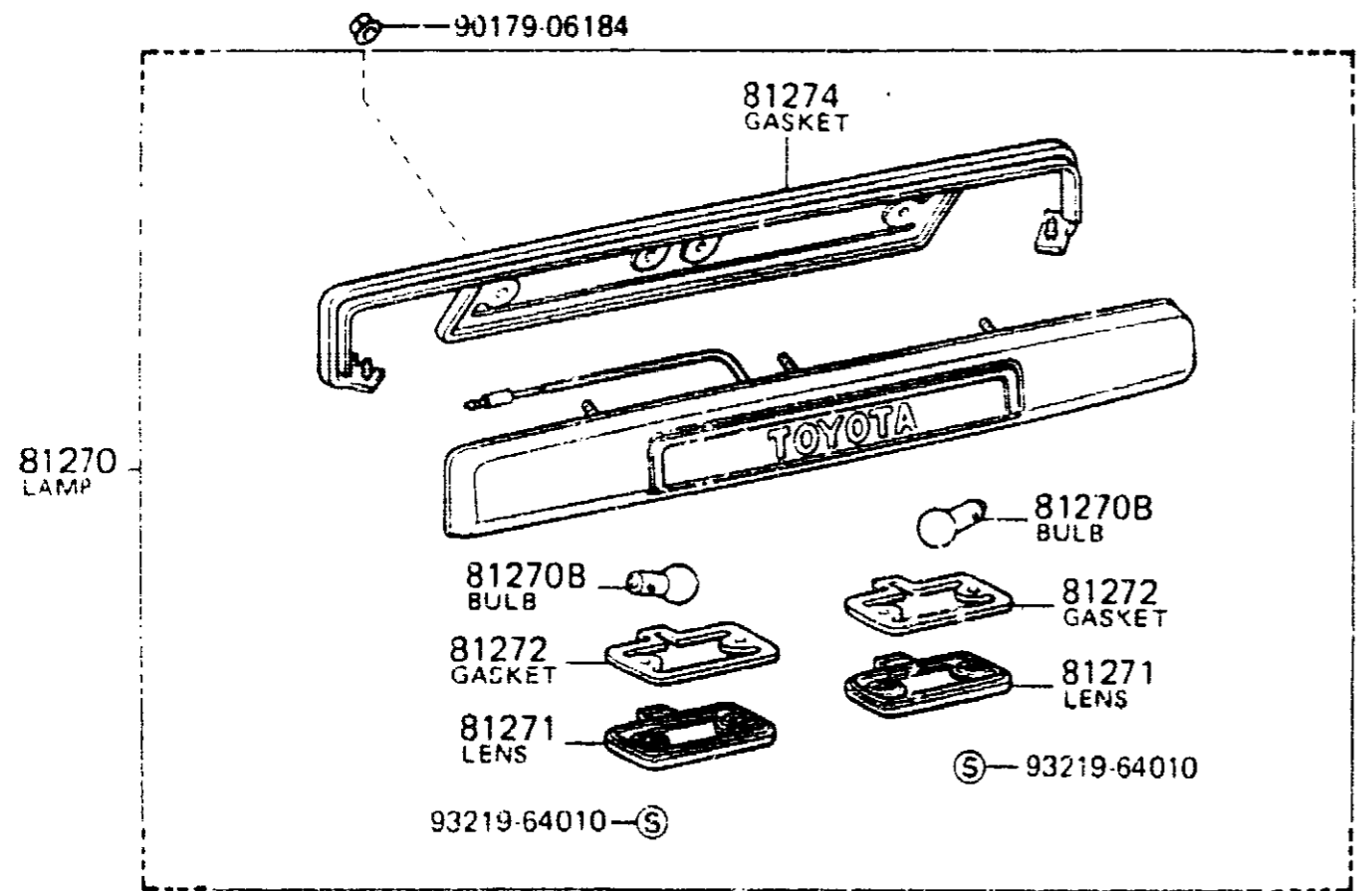
①	②	③	④
96132-30600	96132-31000	90467-20134	90460-62033

FIG. 81-13 REAR LICENSE PLATE LAMP

3H8

791430M-01335

(8708-)



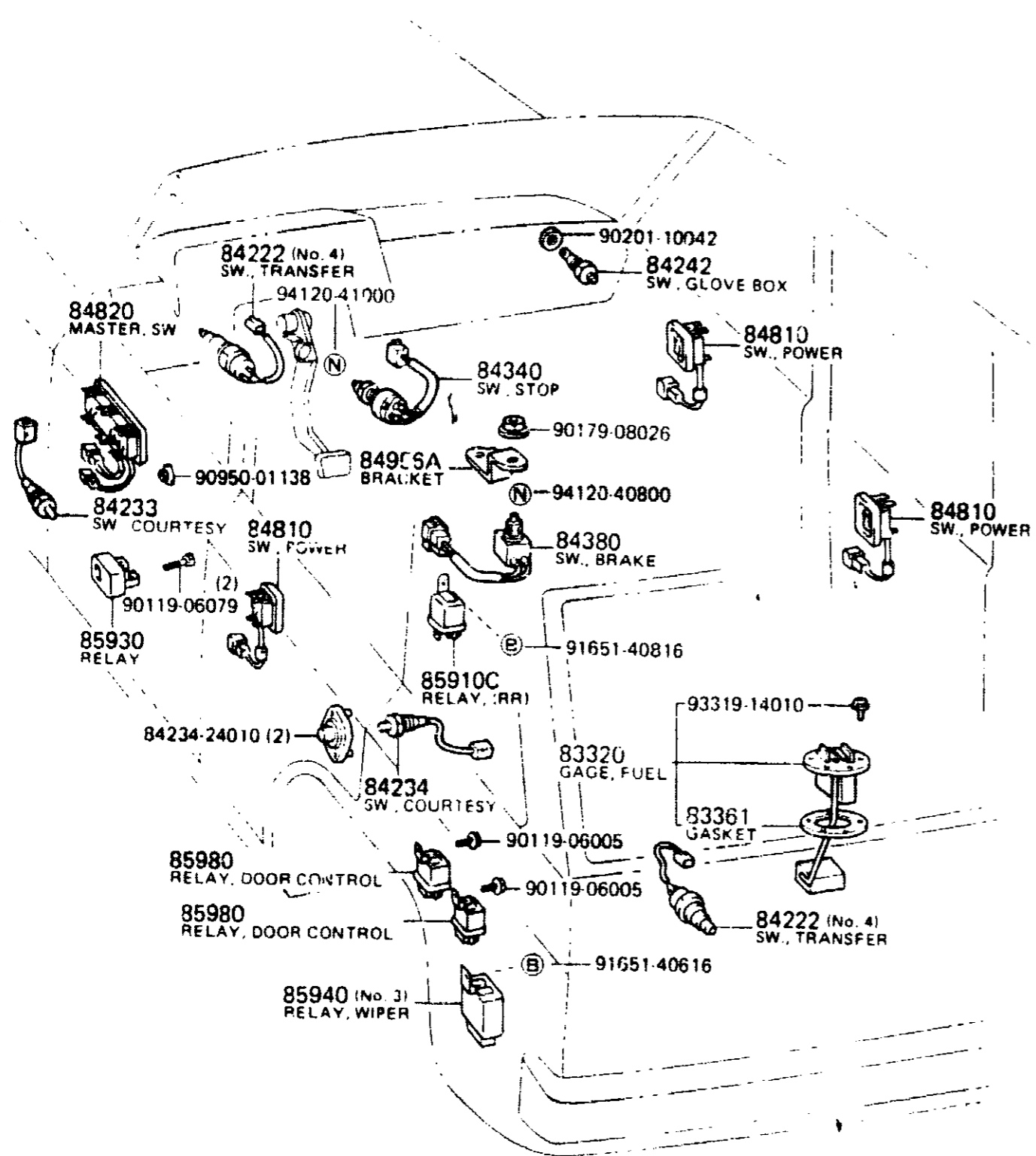
ME J481

PROD. DATE	MODELS	DESCRIPTION	R / P	PART NUMBER	Q T Y.	REV. REF	
						F	T
P 8708-9001	FJ62	LAMP ASSY, LICENSE PLATE		81270-95A07-	1		002
P 8708-9001	FJ62	BULB (FOR LICENSE PLATE LAMP) 12V 7.5W		99132-11075-	2		002
P 8708-9001	FJ62	LENS, LICENSE PLATE LAMP		81271-13070-	2		002
P 8708-9001	FJ62	GASKET, LICENSE PLATE LAMP LENS		81272-13070-	2		002
P 8708-9001	FJ62	GASKET, LICENSE PLATE LAMP BODY		81274-95A00-	1		002

ME J481


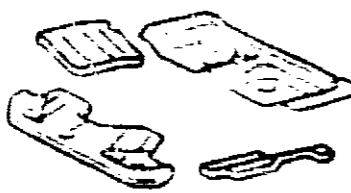
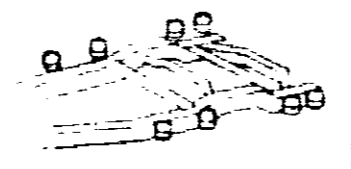
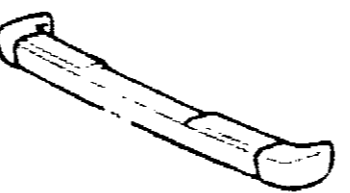
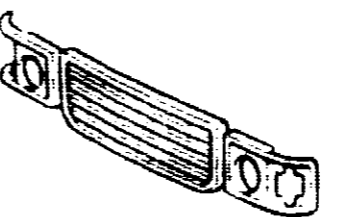
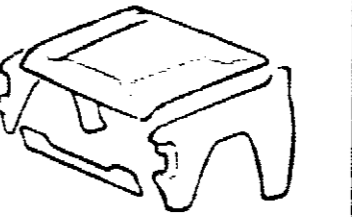
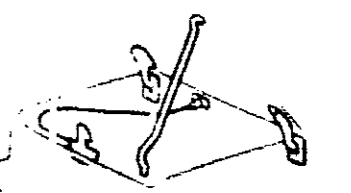
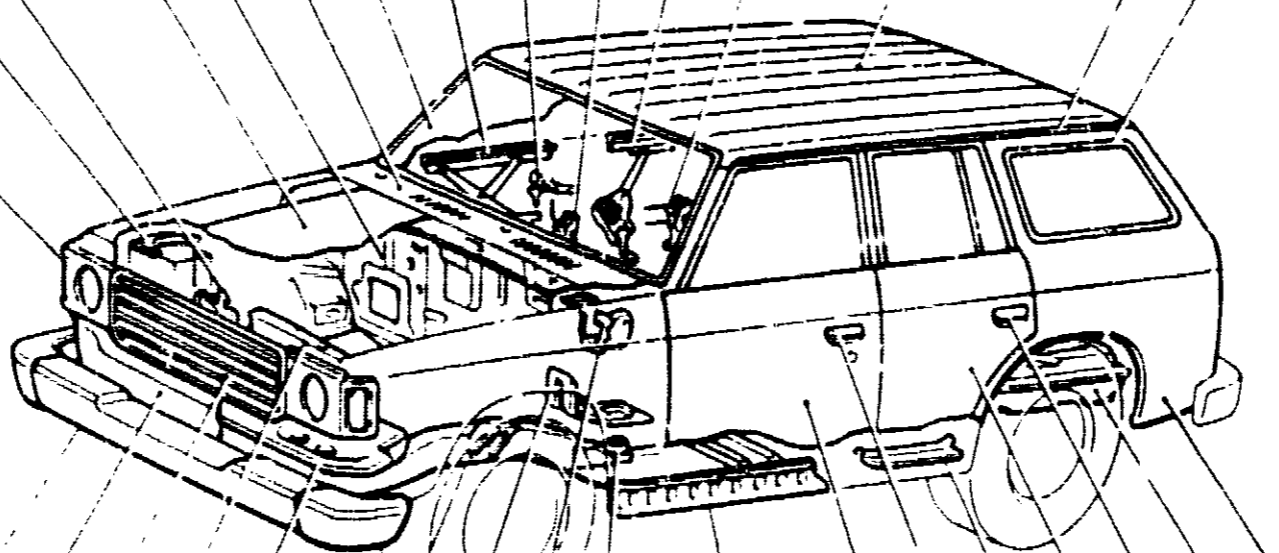
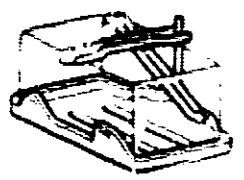
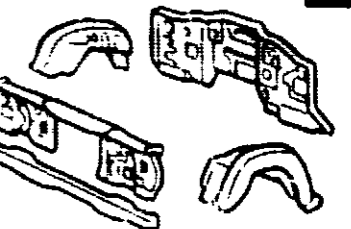
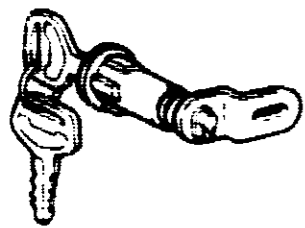
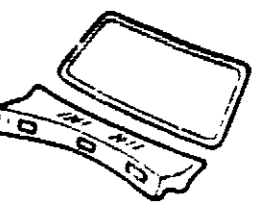
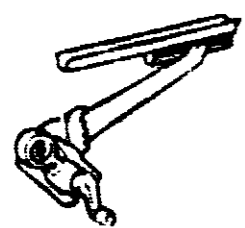
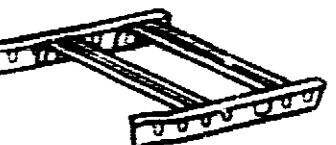

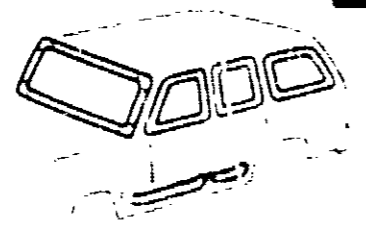

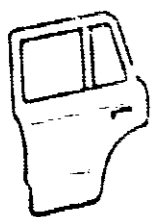
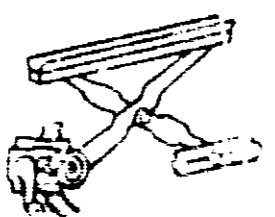
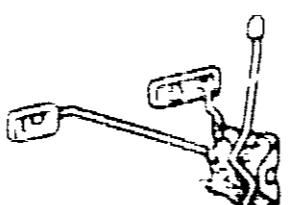


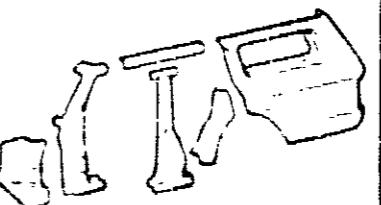

(8708-)

ILLUST. NO. 5 OF 5



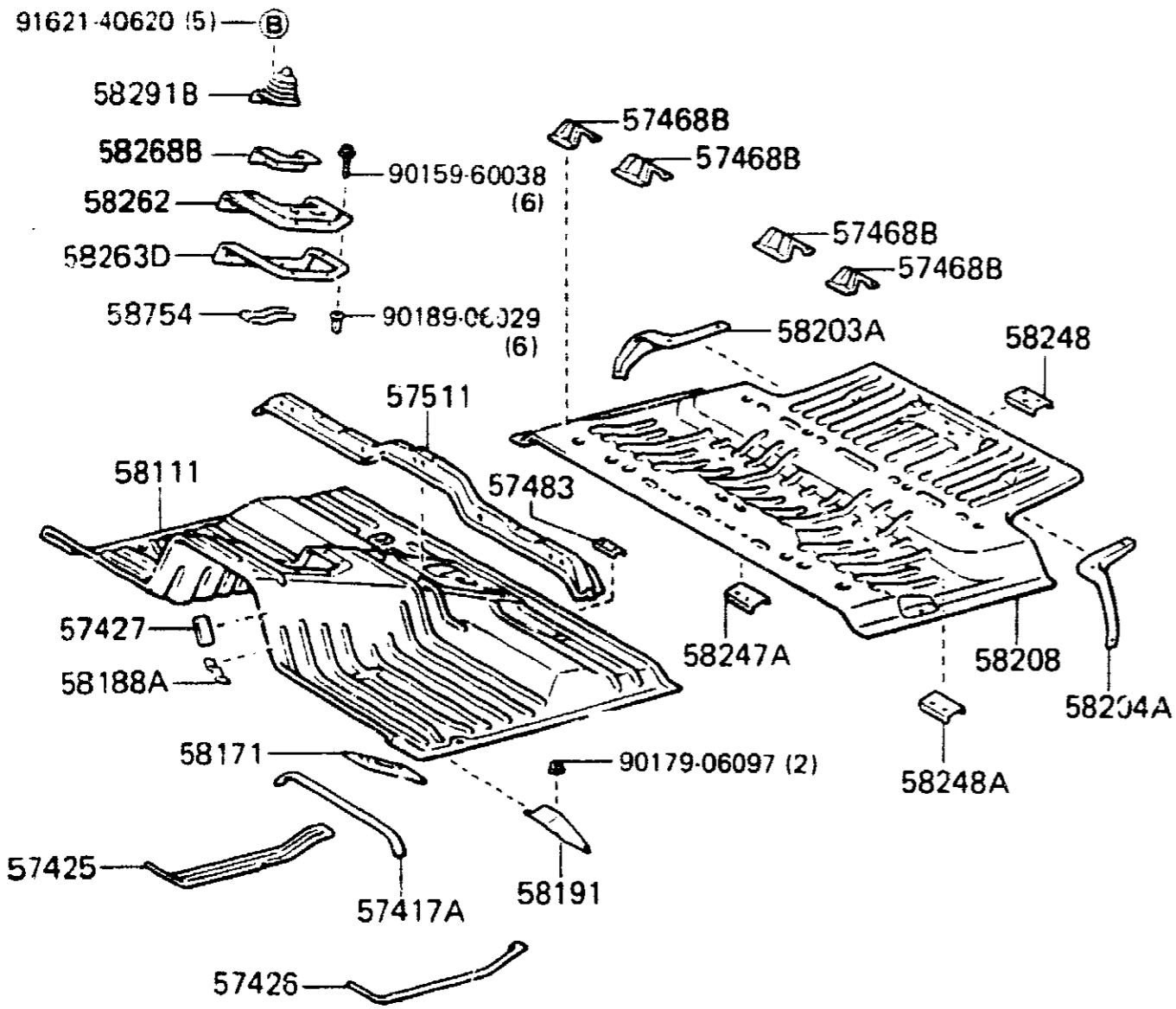
ME J642-A

PROD. DATE	MODELS	DESCRIPTION	R / P	PART NUMBER	QTY.	REV. REF	
						F	T
8708-9001	27790	RELAY ASSY, CHARGE LAMP		27790-13010-	1		
	3FE..FJ62						
8708-9001	28371	RELAY, IGNITION		90987-02004-	1		
	3FE..FJ62						
8708-9001	81980	FLASHER ASSY, TURN SIGNAL		81980-16010-	1		
	FJ62						
8708-9001	82600F	FUSE, FUSE BLOCK		90982-09002-	2		
	FJ62	10A					
8708-9001	FJ62	15A		90982-09003-	9		
8708-9001	FJ62	20A		90982-09004-	2		
8708-9001	FJ62	7.5A		90982-09005-	6		
8708-8808	82600G	PLATE, CAUTION (FOR FUSE)		82683-90A20-	1		002
	FJ62						
8808-9001	FJ62..WGG			82683-90A21-	1		003
8708-9001	82616	PULLER, FUSE		82616-12010-	1		
	FJ62						
8708-9001	82650	BREAKER ASSY, WIRING CIRCUIT, NO.1		82650-12020-	1		
	FJ62	14A					
8708-9001	FJ62	30A		82650-20011-	2		
8708-9001	83320	GAGE ASSY, FUEL SENDER		83320-69015-	1		
	FJ62						

<p>3A1 (51-51) 1</p>  <p>Frame</p>	<p>3C1 (51-52) 2</p>  <p>Crossmember & Under Cover</p>	<p>3E1 (52-51) 3</p>  <p>Cat & Body Mounting</p>	<p>3G1 (52-52) 4</p>  <p>Front Bumper & Stay</p>	<p>3I1 (53-51) 5</p>  <p>Radiator Grille</p>	<p>3J1 (53-53) 6</p>  <p>Hood & Front Fender</p>	<p>3L1 (53-54) 7</p>  <p>Hood Lock & Hinge</p>
<p>BODY GROUP (1/2)</p> 						
<p>3L6 (74-54) 21</p>  <p>Factory Carrier</p>						<p>3M1 (53-55) 8</p>  <p>Front Fender Apron</p>
<p>3A6 (67-65) 20</p>  <p>Lock Cylinder Set</p>						<p>3F2 (55-53) 9</p>  <p>Cow Panel & Glass</p>
<p>3H5 (67-57) 19</p>  <p>Rear Door Regulator & Hinge</p>						<p>3H2 (57-51) 10</p>  <p>Floor Member</p>
<p>3F5 (67-55) 18</p>  <p>Rear Door Lock & Handle</p>	<p>3D7 (75-52) 22</p>  <p>Moulding</p>	<p>3H7 (77-51) 23</p>  <p>Fuel Tank & Tube</p>				
<p>3C5 (67-55) 17</p>  <p>Rear Door Panel & Glass</p>	<p>3A5 (67-54) 16</p>  <p>Front Door Regulator & Hinge</p>	<p>3L4 (67-53) 15</p>  <p>Front Door Lock & Handle</p>	<p>3H4 (67-51) 14</p>  <p>Front Door Panel & Glass</p>	<p>3L3 (61-53) 13</p>  <p>Roof Panel & Back Panel</p>	<p>3G3 (61-51) 12</p>  <p>Side Member</p>	<p>3A3 (5E-53) 11</p>  <p>Floor Insulator</p>

(8708-)

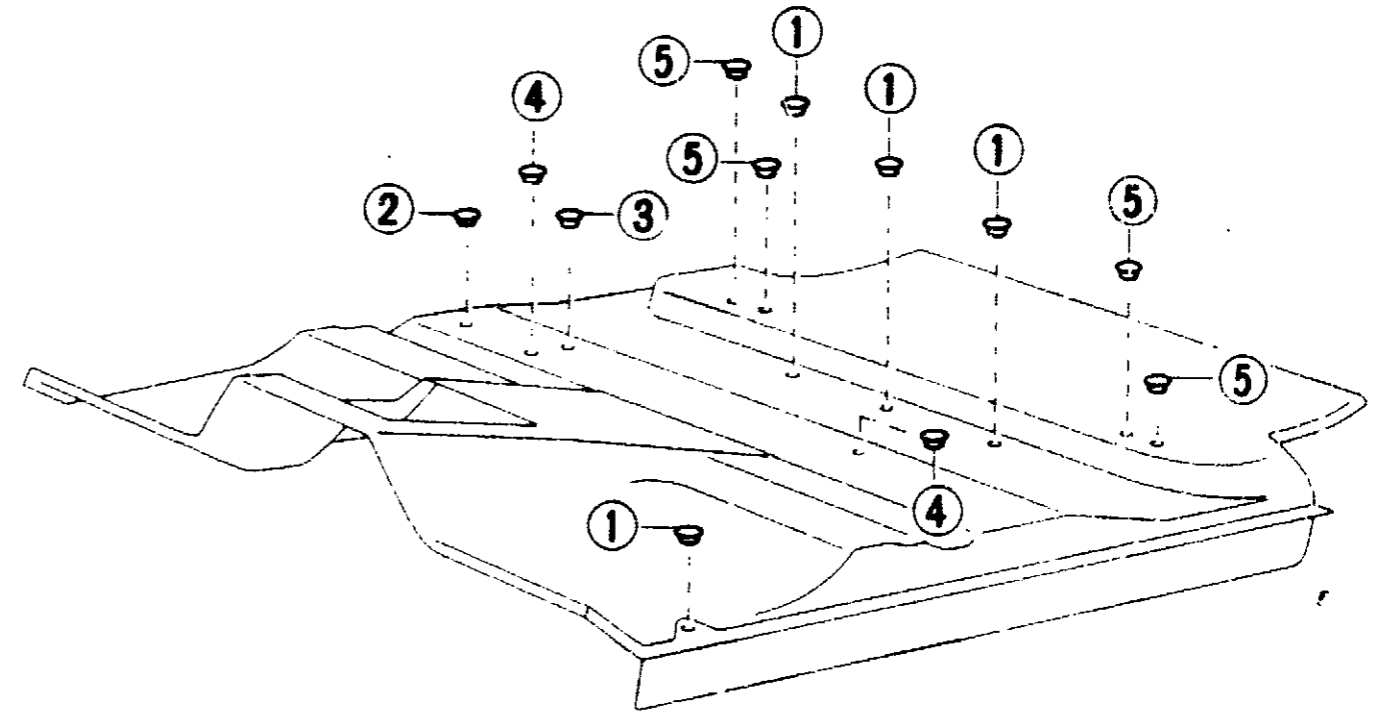
ILLUST. NO. 1 OF 2



MB L901

(8708-)

ILLUST. NO. 2 OF 2



①	②	③	④
90950-01450	90950-01011	90950-01006	90950-01004
⑤			
90950-01110			

MB C464-A

PROD. DATE	MODELS	DESCRIPTION	R / P	PART NUMBER	Q T Y.	REV. REF	
						F	T
8708-9001	1 61511 FJ62	PILLAR, QUARTER LOCK, RH		61511-90A01-	1		
8708-9001	1 61512 FJ62	PILLAR, QUARTER LOCK, LH		61512-90A01-	1		
8708-9001	1 61611 FJ62	PANEL, QUARTER, RH		61611-90A03-	1		
8708-9001	1 61612 FJ62	PANEL, QUARTER, LH		61612-90A03-	1		
8708-9001	1 61631A FJ62	PANEL, QUARTER WHEEL HOUSE, OUTER RH		61631-90A03-	1		
8708-9001	1 61632A FJ62	PANEL, QUARTER WHEEL HOUSE, OUTER LH		61632-90A03-	1		
8708-8808	1 61633A FJ62	PANEL, QUARTER WHEEL HOUSE, INNER RH		61607-90A05-	1		002
8808-9001	FJ62..WGG			61607-90A04-	1	003	
8708-8808	1 61634A FJ62	PANEL, QUARTER WHEEL HOUSE, INNER LH		61608-90A01-	1		002
8808-9001	FJ62..WGG			61608-90A00-	1	003	
8708-9001	1 61645B FJ62	GUSSET, QUARTER WHEEL HOUSE, REAR RH		61645-90A00-	1		
8708-9001	1 61646B FJ62	GUSSET, QUARTER WHEEL HOUSE, REAR LH		61646-90A00-	1		

PROD. DATE	MODELS	DESCRIPTION	R / P	PART NUMBER	Q T Y.	REV. REF	
						F	T
8708-9001	1 61705 FJ62..CND	PANEL SUB-ASSY, ROOF SIDE, INNER RH W (ROOF CARRIER)		61705-90A30-	1		
8708-9001	FJ62			61705-90A40-	1		
8708-9001	1 61706 FJ62..CND	PANEL SUB-ASSY, ROOF SIDE, INNER LH W (ROOF CARRIER)		61706-90A66-	1		
8708-9001	FJ62			61706-90A67-	1		
8708-9001	1 61711 FJ62	PANEL, ROOF SIDE, OUTER RH		61711-90A01-	1		
8708-9001	1 61712 FJ62	PANEL, ROOF SIDE, OUTER LH		61712-90A01-	1		
8708-9001	1 61725 FJ62	BOX, FUEL INLET		61709-90A02-	1		
8708-8712	1 61733A FJ62	PANEL, ROOF SIDE, INNER FRONT RH		# 61733-90A02- (61733-90A05-)	1		
8708-8808	FJ62			61733-90A05-	1		002
8808-9001	FJ62..WGG			61733-90A03-	1	003	
8708-8712	1 61734A FJ62	PANEL, ROOF SIDE, INNER FRONT LH		# 61734-90A03- (61734-90A05-)	1		
8712-8808	FJ62			61734-90A05-	1		002
8808-9001	FJ62..WGG			61734-90A01-	1	003	
8708-9001	1 61743A FJ62	REINFORCEMENT, BACK DOOR OPENING SIDE, RH		61743-90A02-	1		

PROD. DATE	MODELS	DESCRIPTION	R / P	PART NUMBER	QTY.	REV. REF	
						F	T
8708-9001	FJ62	1 67001 PANEL SUB-ASSY, FRONT DOOR, RH W(REMOCON MIRROR)		67001-90A40-	1		
8708-9001	FJ62			67001-90A44-	1		
8708-9001	FJ62	1 67002 PANEL SUB-ASSY, FRONT DOOR, LH W(REMOCON MIRROR)		67002-90A47-	1		
8708-9001	FJ62			67002-90A50-	1		
8708-9001	FJ62	1 67111 PANEL, FRONT DOOR, OUTER RH W(REMOCON MIRROR)		67111-90A15-	1		
8708-9001	FJ62			67111-90A18-	1		
8708-9001	FJ62	1 67112 PANEL, FRONT DOOR, OUTER LH W(REMOCON MIRROR)		67112-90A15-	1		
8708-9001	FJ62			67112-90A18-	1		
8708-9001	FJ62	1 67118A RETAINER, OUTER REAR VIEW MIRROR W(REMOCON MIRROR)		67118-90A02-	2		
8708-9001	FJ62			67118-90A03-	2		
8702-9001	FJ62	1 67401F FRAME SUB-ASSY, FRONT DOOR, FRONT LOWER RH		67401-90A00-	1		
8708-9001	FJ62	1 67402F FRAME SUB-ASSY, FRONT DOOR, FRONT LOWER LH		67402-90A00-	1		
8708-9001	FJ62	1 67403F FRAME SUB-ASSY, FRONT DOOR, REAR LOWER RH		67403-90A00-	1		

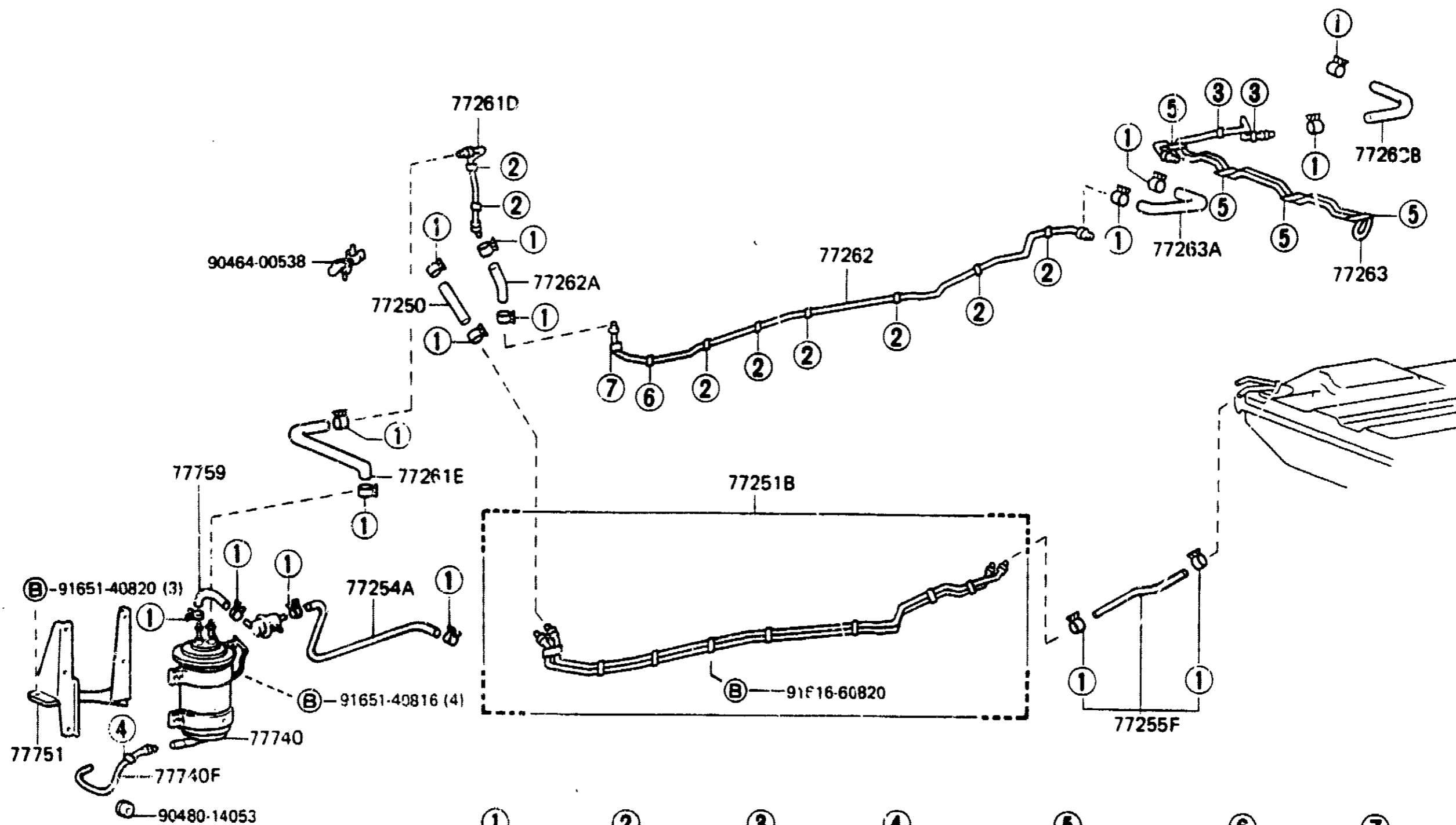
PROD. DATE	MODELS	DESCRIPTION	R / P	PART NUMBER	QTY.	REV. REF	
						F	T
8708-9001	FJ62	1 67404F FRAME SUB-ASSY, FRONT DOOR, REAR LOWER LH		67404-90A00-	1		
8708-9001	FJ62	1 67481A SEAL, FRONT DOOR FRONT LOWER FRAME, RH		67481-90A00-	1		
8708-9001	FJ62	1 67482A SEAL, FRONT DOOR FRONT LOWER FRAME, LH		67482-90A00-	1		
8708-8808	FJ62	1 67601 BOARD SUB-ASSY, FRONT DOOR TRIM, RH SHADOW GRAY(TRIM1)		67610-90G04-03	1		
8708-8808	FJ62			67610-90G04-06	1		
8708-8808	FJ62..CND	W(POWER WINDOW), SHADOW GRAY(TRIM1)		67610-90G07-03	1		
8708-8808	FJ62..USA	W(POWER WINDOW), SHADOW GRAY(TRIM1)		⚡	1		
8708-8808	FJ62..CND	W(POWER WINDOW), SEPIA BROWN(TRIM4)		67610-90G07-06	1		
8708-8808	FJ62..USA	W(POWER WINDOW), SEPIA BROWN(TRIM4)		⚡	1		
P 8808-9001	FJ62..WGG	SHADOW GRAY(TRIM1)		67610-90G42-03	1		
P 8808-9001	FJ62..WGG	SEPIA BROWN(TRIM4)		67610-90G42-06	1		
P 8808-9001	FJ62..CND	W(POWER WINDOW), SHADOW GRAY(TRIM1)		67610-90G49-03	1		
P 8808-9001	FJ62..WGG..USA	W(POWER WINDOW), SHADOW GRAY(TRIM1)		⚡	1		
P 8808-9001	FJ62..CND	W(POWER WINDOW), SEPIA BROWN(TRIM4)		67610-90G49-06	1		
P 8808-9001	FJ62..WGG..USA	W(POWER WINDOW), SEPIA BROWN(TRIM4)		⚡	1		

PROD. DATE	MODELS	DESCRIPTION	P / P	PART NUMBER	Q T Y.	REV. REF	
						F	T
	↔ 73330 ↔	BELT ASSY, REAR SEAT LAP TYPE, RH					
8708-8711	FJ62..WGG	SHADOW GRAY (TRIM1)	#	73330-90A05-13 (73330-90A37-03)	1		002
8706-8711	FJ62..WGG	SEPIA BROWN (TRIM4)	#	73330-90A05-16 (73330-90A37-06)	1		002
8708-8711	FJ62..WGG	GRAY (TRIM1)		73330-90A37-03	1		002
8708-8711	FJ62..WGG	SEPIA BRWN (TRIM4)		73330-90A37-06	1		002
8711-8808	FJ62..WGG	GRAY (TRIM1)		73330-90A37-03	1		002
8711-8808	FJ62..WGG	SEPIA BRWN (TRIM4)		73330-90A37-06	1		002
	↔ 73340 ↔	BELT ASSY, REAR SEAT LAP TYPE, LH					
8708-8711	FJ62..WGG	SHADOW GRAY (TRIM1)	#	73330-90A05-13 (73330-90A37-03)	1		002
8708-8711	FJ62..WGG	SEPIA BROWN (TRIM4)	#	73330-90A05-16 (73330-90A37-06)	1		002
8708-8711	FJ62..WGG	GRAY (TRIM1)		73330-90A37-03	1		002
8708-8711	FJ62..WGG	SEPIA BRWN (TRIM4)		73330-90A37-06	1		002
8711-8808	FJ62..WGG	GRAY (TRIM1)		73330-90A37-03	1		002
8711-8808	FJ62..WGG	SEPIA BRWN (TRIM4)		73330-90A37-06	1		002
	↔ 73350 ↔	BELT ASSY, REAR SEAT LAP TYPE, CENTER					
8708-8808	FJ62..WGG	SHADOW GRAY (TRIM1)		73330-90A04-13	1		002
8706-8808	FJ62..WGG	SEPIA BROWN (TRIM4)		73330-90A04-16	1		002
P 8808-9001	FJ62..WGG	GRAY (TRIM1)		73330-90A46-03	1	003	
P 8808-9001	FJ62..WGG	SEPIA BROWN (TRIM4)		73330-90A46-06	1	003	
	↔ 73360 ↔	BELT ASSY, REAR SEAT 3 POINT TYPE, OUTER, RH					
P 8808-9001	FJ62..WGG	GRAY (TRIM1)		73360-90A40-03	1	003	
P 8808-9001	FJ62..WGG	SEPIA BROWN (TRIM4)		73360-90A40-06	1	003	

PROD. DATE	MODELS	DESCRIPTION	R / P	PART NUMBER	Q T Y.	REV. REF	
						F	T
	↔ 73370 ↔	BELT ASSY, REAR SEAT 3 POINT TYPE, OUTER, LH					
P 8808-9001	FJ62..WGG	GRAY (TRIM1)		73360-90A40-03	1	003	
P 8808-9001	FJ62..WGG	SEPIA BROWN (TRIM4)		73360-90A40-06	1	003	
	↔ 73380 ↔	BELT ASSY, REAR SEAT 3 POINT TYPE, INNER, RH					
P 8808-9001	FJ62..WGG	GRAY (TRIM1)		73380-90A20-03	1	003	
P 8808-9001	FJ62..WGG	SEPIA BROWN (TRIM4)		73380-90A20-06	1	003	
	↔ 73390 ↔	BELT ASSY, REAR SEAT 3 POINT TYPE, INNER, LH					
P 8808-9001	FJ62..WGG	GRAY (TRIM1)		73380-90A20-03	1	003	
P 8808-9001	FJ62..WGG	SEPIA BROWN (TRIM4)		73380-90A20-06	1	003	

(8708-)

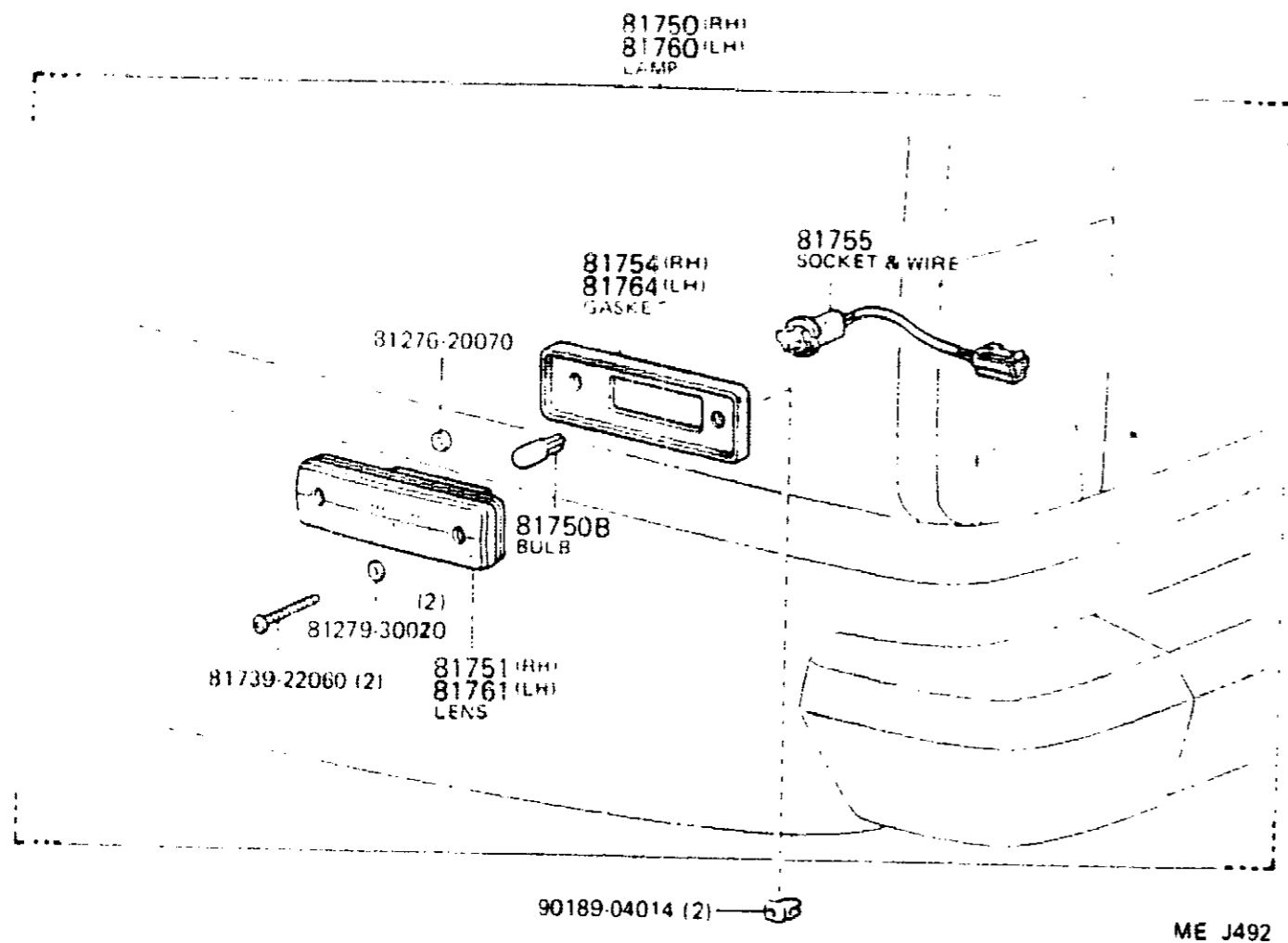
ILLUST. NO. 2 OF 2



①	②	③	④	⑤	⑥	⑦
96132-30600	90461-06156	90461-06156	91611-60816	90461-08324	90461-06174	90-51-06203
	90119-08701	91651-40614	90461-C6U77	90480-01107 91651-40814		

MB L829-C

(8708-)

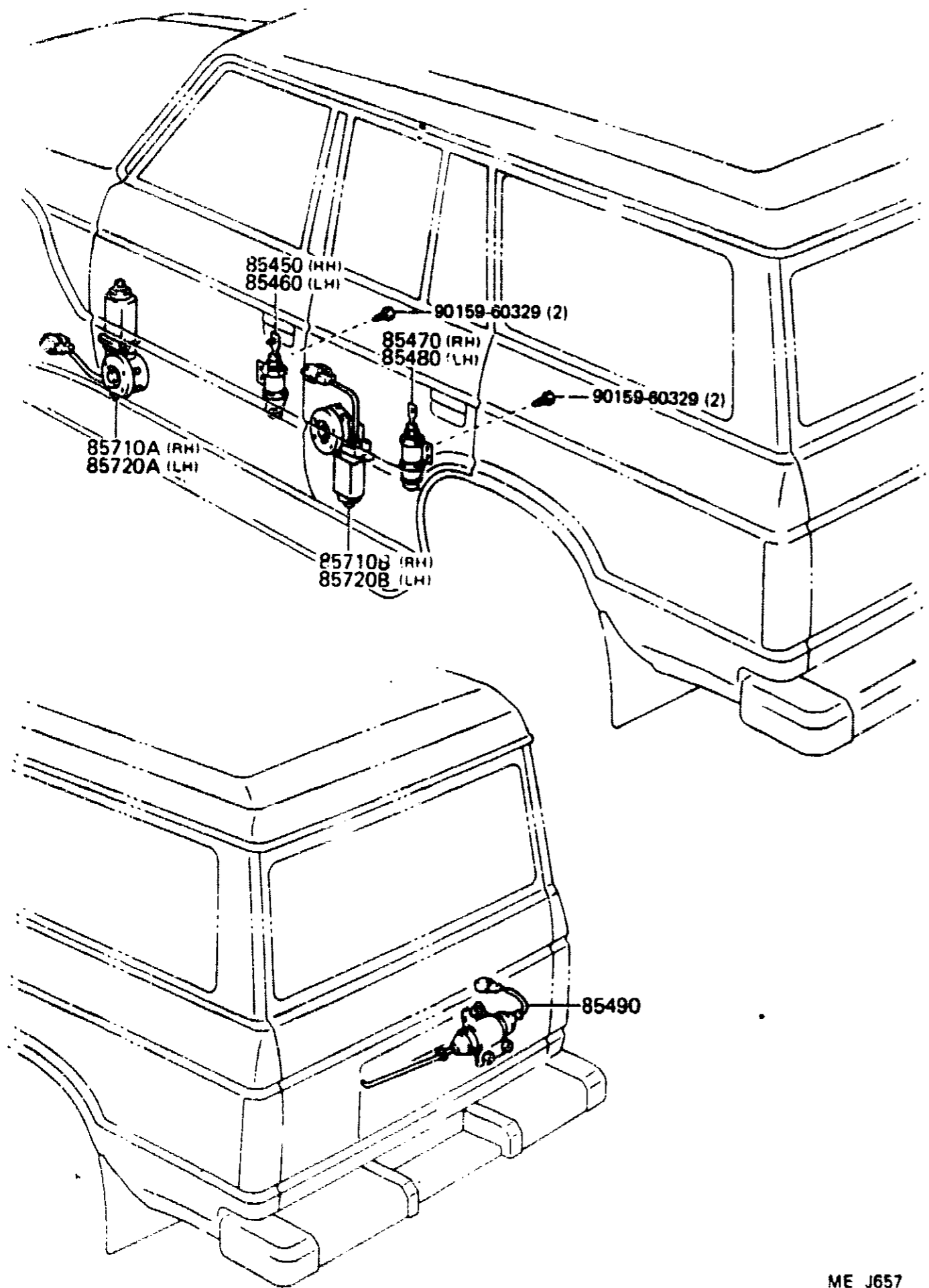


PROD. DATE	MODELS	DESCRIPTION	R / P	PART NUMBER	Q T Y.	REV. REF	
						F	T
P 8708-9001	FJ62	LAMP ASSY, REAR SIDE MARKER, RH		81750-91255-	1		002
P 8708-9001	FJ62	BULB, REAR SIDE MARKER LAMP 12V 3.8W		90981-11020-	2		002
P 8708-9001	FJ62	LENS, REAR SIDE MARKER LAMP, RH		81751-14030-	1		002
P 8708-9001	FJ62	GASKET, REAR SIDE MARKER LAMP BODY, RH		81754-91255-	1		002
P 8708-9001	FJ62	SOCKET AND WIRE SUB-ASSY, REAR SIDE MARKER LAMP		81755-20060-	2		002
P 8708-9001	FJ62	LAMP ASSY, REAR SIDE MARKER, LH		81750-91255-	1		002
P 8708-9001	FJ62	LENS, REAR SIDE MARKER LAMP, LH		81751-14030-	1		002
P 8708-9001	FJ62	GASKET, REAR SIDE MARKER LAMP BODY, LH		81754-91255-	1		002

PROD. DATE	MODELS	DESCRIPTION	R / P	PART NUMBER	Q T Y.	REV. REF	
						F	T
8708-9001	FJ62	GASKET, FUEL SENDER GAGE		83361-20030-	1		
8708-9001	FJ62	GAGE ASSY, WATER TEMPERATURE SENDER		83420 20020-	1		
8708-9001	FJ62	GAGE ASSY, OIL PRESSURE SENDER		83520-60010-	1		
8708-9001	FJ62	SWITCH ASSY, LIGHT CONTROL, NO.1		84112-69295-	1		
8708 9001	FJ62	KNOB, LIGHT CONTROL RHEOSTAT		84118-90A00-	1		
8708-9001	FJ62	RHEOSTAT, LIGHT CONTROL		84119-90A01-	1		
8710-9001	FJ62	SWITCH ASSY, HEADLAMP DIMMER		84140-35080-	1		
8708-9001	FJ62	SWITCH, TRANSFER INDICATOR, NO.1		84222-60021-	1		
8708-9001	FJ62	NO.2		84222-60030-	1		
8708-9001	FJ62	NO.3		84222-60040-	1		
8708-9001	FJ62	NO.4		84222-60071-	2		
8708-8806	FJ62	SWITCH ASSY, COURTESY LAMP (FOR FRONT DOOR)		84230-22051-	2		
8806-9001	FJ62			84231-28010-	2		

PROD. DATE	MODELS	DESCRIPTION	R / P	PART NUMBER	Q T Y.	REV. REF	
						F	T
8708-8806	FJ62	SWITCH ASSY, COURTESY LAMP (FOR REAR DOOR)		84230-22051-	2		
8806-9001	FJ62			84231-28010-	2		
8708-9001	FJ62	SWITCH, GLOVE BOX LAMP		84242-90A00-	1		
8708-9001	FJ62	SWITCH ASSY, TURN SIGNAL		84310-60700-	1		
8708-9001	FJ62	PLATE, HORN CONTACT		84312-20011-	1		
8708-9001	FJ62	SWITCH ASSY, HAZARD WARNING SIGNAL		84332-69055-	1		
8708-9001	FJ62	SWITCH ASSY, STOP LAMP		84340-22072-	1		
8708-9001	FJ62	SWITCH ASSY, BRAKE WARNING TEST		84380-20010-	1		
8708-9001	FJ62	SWITCH ASSY, IGNITION OR STARTER		84450-60150-	1		
8708-9001	FJ62	SWITCH ASSY, NEUTRAL START		84540-60020-	1		
8708-9001	FJ62	SWITCH ASSY, WINDSHIELD WIPER		84652-69345-	1		

(8708-)

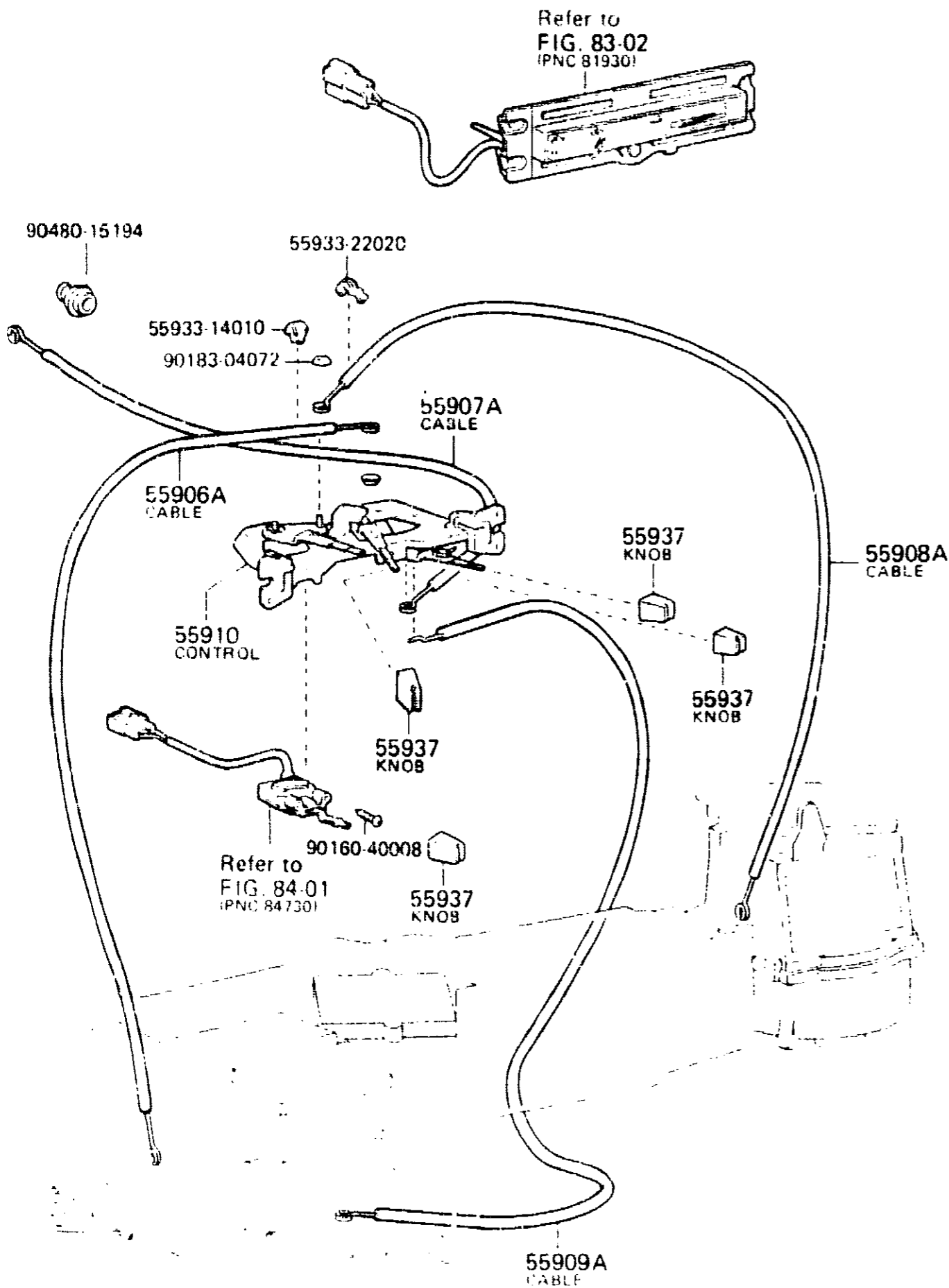


ME J657

PROD. DATE	MODELS	DESCRIPTION	R / P	PART NUMBER	QTY.	REV. REF.	
						F	T
8708-9001	FJ62	SOLENOID ASSY, DOOR CONTROL, FRONT RH		85450-90A04-	1		
8708-9001	FJ62	SOLENOID ASSY, DOOR CONTROL, FRONT LH		85460-90A02-	1		
8708-9001	FJ62	SOLENOID ASSY, DOOR CONTROL, REAR RH		85470-90A02-	1		
8708-9001	FJ62	SOLENOID ASSY, DOOR CONTROL, REAR LH		85480-90A02-	1		
8708-9001	FJ62	SOLENOID ASSY, DOOR CONTROL BACK		85490-90A06-	1		
8708-9001	FJ62	MOTOR ASSY, POWER WINDOW REGULATOR, FRONT RH		85710-90A00-	1		
8708-9001	FJ62	MOTOR ASSY, POWER WINDOW REGULATOR, REAR RH		85710-90A01-	1		
8708-9001	FJ62	MOTOR ASSY, POWER WINDOW REGULATOR, FRONT LH		85720-90A00-	1		
8708-9001	FJ62	MOTOR ASSY, POWER WINDOW REGULATOR, REAR LH		85720-90A01-	1		

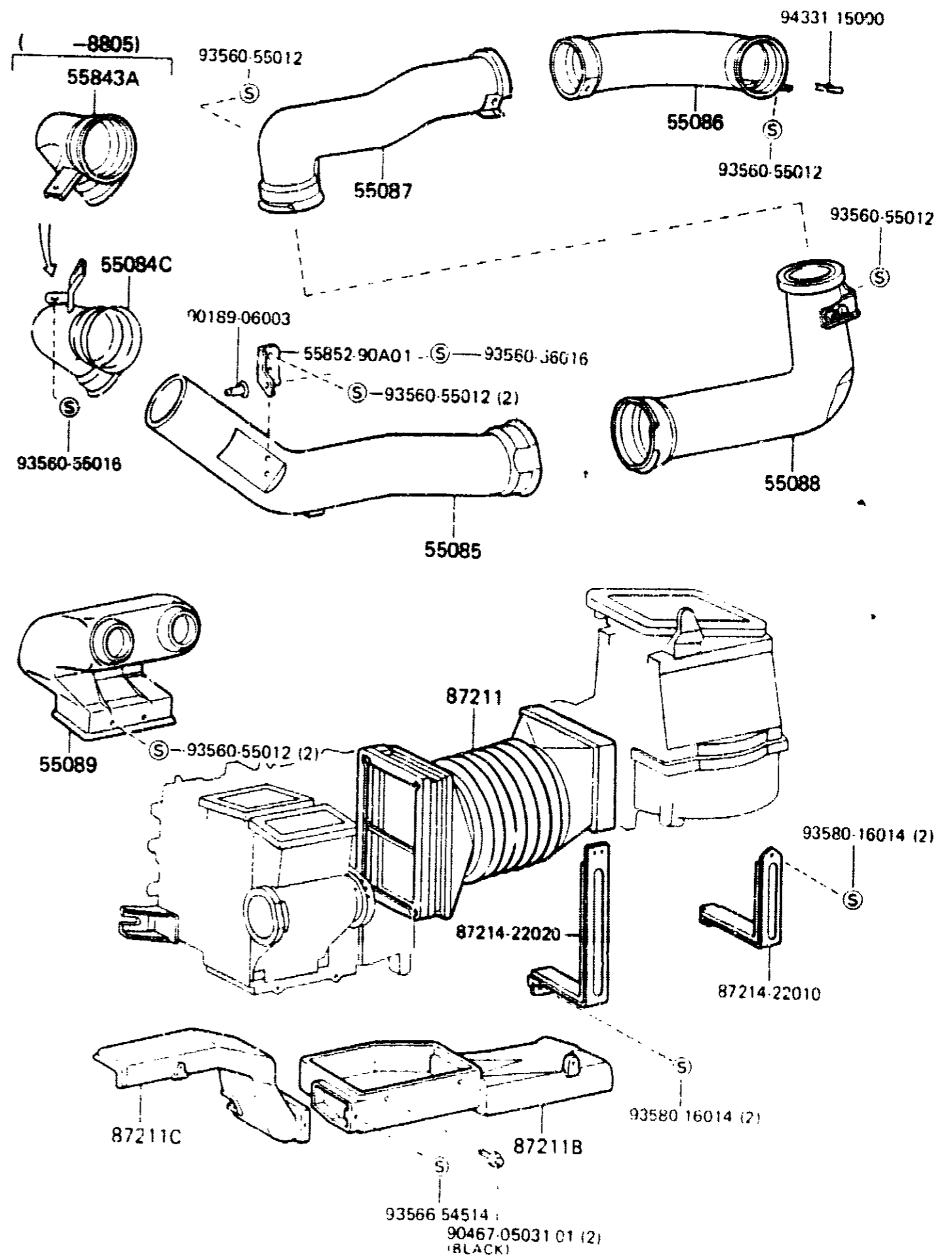
(8708-)

ILLUST. NO. 1 OF 2



(8708-)

ILLUST. NO. 2 OF 2




ME J697

ME J698-C


PART NUMBER	LOCA TION	PART NUMBER	LOCA TION	PART NUMBER	LOCA TION	PART NUMBER	LOCA TION	PART NUMBER	LOCA TION	PART NUMBER	LOCA TION	
90389-18002-	2L9	90467-08011-	3F2	90501-17008-	2F3	90521-99021-	2L1	90916-03071-	1K2	S	90937-01418-	2I5
90401-08004-	1L4		3J1	-18677-	2F1	-99040-	2H2	90917-06004-	1E3	S	-01419-	2I5
-12097-	1L4	-09014-	3J1	-19002-	2B3	-99041-	2H2	-06012-	1E3		90942-01047-	2K5
-14093-	1F2	-11085-	1L2	-20012-	2J8	-99042-	2G2	-06023-	1E3		-02052-	2J5
-18083-	1H2	-12035-03	3B3	-20083-	2F5	-99043-	2K1	-06024-	1E3		-02053-	2K6
90402-16042-	1F2	-12035-06	3B3		2H6	90522-32011-	2L7	-10049-	1M3		-03079-	2K5
-26002-	1M4	-13001-	1J4	-23014-	2F7	-40043-	2H8	-10065-	2J4		-03080-	2K5
90404-10018-	2G5		1K2	-27008-	2B3	-48044-	2H8	-10076-	1J3		-03081-	2K5
-10019-	2H6		1K4	-29003-	2G4	90523-05002-	2J2	-11023-	1M3		-03082-	2K5
-14012-	1J3	-15120-	1L1	-30014-	2C3	-06004-	2B3	90919-01064-	1B4		-03083-	2K5
-16008-	1F2	-16001-	2E8	-33004-	2M2	-06005-	2E3	-02113-	1B4		-03084-	2K5
-16022-	2K3	-16002-	2G8	-40008-	2B3	90524-15008-	1D2	-03086-	1C4		-03085-	2K5
-26003-	1M4	-18002-	1L1	-45011-	2A7	90541-03015-	3D2	-12745-	1B4		-03086-	2K5
-51093-	2J4	-22003-	1J4	-45114-	2M7	-06008-	2C8	-12746-	1B4		-03107-	2K5
-51319-	2G8	-23001-	1J3	-45342-	1C2	-08003-	3K7	-12747-	1B4		-05009-	2L5
-54035-	1C3	-28003-	1I3	90502-16004-	1D2			-12748-	1B4		90945-02034-	2M6
90407-10004-	2D8	-31110-	2C9	90503-04003-	2B3	90560-06009-	1F3	-12749-	1C4		-02038-	2M6
-14005-	2K3	-32002-	2L7	90506-12031-	2K8	-10406-	2G4	-12750-	1C4		90948-01031-	2I9
-16006-	2K3	-42001-	1L2	-12451-	2C8	-20008-	2J3	-12949-	1B4		-02015-	2J9
-16013-	2K3	90468-12003-	2I8	-18031-	2K8	-35008-	2D4	-12950-	1C4		-02017-	2I9
90410-11005-	1F2	-13071-	3E6	-20033-	2L8	-35009-	2G2	-12951-	1B4		-02032-	2J9
-18002-	1M4	90480-01336-	2A6	-23009-	2M6	-38003-	2E4	-12952-	1B4		-02033-	2D9
90413-04005-	2J4	-13005-	1K4	-26011-	2J8	-72001-	2G2	-12953-	1C4		-02114-	2I9
-10042-	2B9	-13012-	2A6	-26014-	2K8	-72002-	2G2	-12954-	1C4		-03011-	2A10
-10106-	2C9	-15002-	3L1	90507-14001-	2B7	-72003-	2G2	-13271-	1B4			2I9
-10214-	2B9	-17019-	2A6	90508-29017-	3M7	90561-04010-	2H7	-13328-	1B4	P	90950-01073-03	3E3
90430-06104-	2D8	-17158-	2A8	-30004-	2J3	-06006-	2I2	-21410-	1B4	P	-01073-06	3E3
-08009-	1L4	-17177-	2B1	90520-01002-	3A5	-09005-	1L2	90923-01349-	1L4	S	90980-05022-	3K10
-08011-	1L4	-17401-	2G4	-15001-	3H5	-10004-	1K4	-01350-	1L4	S	-05067-	3K10
-09253-	2D8	-18001-	1L1	-17042-	2E7	90562-18151-	2D8	-05011-	1H1	S	-05106-	3K10
	2E8	-20016-	2A6	-22013-	2M6	-30002-	2J7	90925-03057-	1M3	S	-05110-	3K10
-10022-	2I4	90501-06043-	2E3		2H2	-31002-	2K7	90929-01189-	1M4	N	-05127-	3K10
-12005-	1L4	-07005-	2B1	-27091-	2J6	-32002-	2K7	-01192-	1C4		-07003-	3M8
-12011-	1I1	-07009-	2B1	-28036-	2J6	-48001-	2J7	90930-03075-	2B4		-07048-	3M8
-12019-	1I1	-07040-	2E3	-29024-	2L4	-67002-	2K7	-03094-	2G1		-07251-	3M8
-12245-	3J7	-07042-	2F3	-29025-	2L4	90564-06002-	2G3	90937-01117-	2I5		90981-05034-	3A8
-15261-	1F2	-07049-	2E3	-29026-	2L4	-70001-	2D4	-01118-	2I5		-05035-	3A8
-18008-	2A4		2F3	-29027-	2L4	-70002-	2D4	-01119-	2I5	P	-11004-	3J8
-18012-	1H2	-07065-	2I2	-29051-	1C2	-70003-	2D4	-01121-	2I5		-11010-	3E9
-26002-	2F5	-08062-	2F3	-31001-	2K6	-70004-	2D4	-01122-	2I5		-11018-	3D9
	2G6	-08075-	2G3	-33009-	2E2	-70005-	2D4	-01132-	2K4			3J8
-43002-	1K2	-08095-	2D3	-33107-	2E4	-70006-	2D4	-01147-	2K4	P	-11020-	3E8
90445-11072-	2H1	-09056-	2D3	-33110-	2E4	-70007-	2D4	-01148-	2K4	P		3I8
-12065-	1L2	-10087-	2K1	-50001-	2A2	-70008-	2D4	-01149-	2K4	P	-12010-	3D8
-12078-	1L2	-10092-	2A2		2B2	-70009-	2D4	-01150-	2K4		90982-01414-	3K8
-14072-	3G10	-10094-	2A3	-87001-	2L1	-70010-	2D4	-01151-	2K4		-02207-	3K8
-16038-	1L1	-10098-	2B3	90521-01002-	2F2	-70011-	2E4	-01152-	2K4		-05030-	3K8
-18089-	2G7	-10099-	2G3		2A7	-70012-	2E4	-01184-	2K4		-08251-	3B9
-18090-	2G7	-10107-	2C3	-22011-	2A7	-70013-	2E4	-01191-	2K4		-09002-	3H9
-22015-	3J7	-10108-	2B2	-22012-	2A7	90587-08001-	2A6	-01192-	2K4		-09003-	3H9
-22904-	3J7	-10126-	2G3	-22013-	2A7	90910-01006-	1D2	-01193-	2K4		-09004-	3H9
-31018-	1I3	-10138-	2A8	-25002-	1A2	-01012-	1D2	-01194-	2K4		-09005-	3H9
90446-06013-	3F10	-10745-	2A8	-44002-	2D7	-02050-	1F1	-01268-	2K4		90987-01003-	3J9
-06292-	3F10	-11024-	2A3		2K7	-02057-	1H1	-01269-	2K4		-02004-	3H9
90447-12058-	3K7	-11030-	2A3	-75023-	2E4	-04012-	3F2	-01408-	2I5			3K9
90460-01001-	2G7	-11041-	2E3	-90002-	2L1	-12079-	1M3	-01409-	2I5		-02006-	3J9
90461-10387-	2H6	-12083-	2G3	-99017-	2B2	90913-02048-	1C2	-01410-	2I5		-03001-	3J9
-10558-	2G5	-12086-	2I2		2L1	-03005-	1D2	-01411-	2I5		-04002-	3J9
90462-12038-	2K3	-12090-	2A3	-99018-	2H2	-03012-	1D2	-01412-	2I5		90999-00066-	3A6
90464-00105-	1C4	-12099-	2H7	-99019-	2L1	-05020-	1D2	-01413-	2I5		-00104-	3A6
-00208-	1C4	-12103-	2E7	-99021-	2D2	90915-01014-	1I1	-01414-	2I5		-73072-	1A2
90467-06161-18	3E4	-14087-	1D2		2F2	90916-02141-	1A3	-01415-	2I5	S	-92003-	2J4
-07041-03	3E3	-15006-	2E3		2H2	-02193-	1A3	-01416-	2I5		91121-51070-	2C8
-07041-06	3E3	-16115-	2F4		2K1	-03052-	1K2	-01417-	2I5		91511-60850-	2-1

3D1 (51-53) **1**



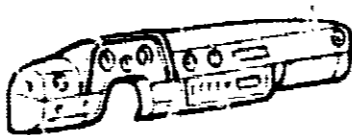
Spare Wheel Carrier

3H1 (52-53) **2**




Rear Bumper & Stay

3B2 (55-51) **3**




Instrument Panel

3I2 (58-51) **4**




Front Floor Panel & Member

3L2 (58-52) **5**




Rear Floor Panel & Member

3B3 (58-54) **6**



Floor Mat & Pad


3G7 (75-54) **21**



Tool Box & License Bracket


3B7 (75-51) **20**

TOYOTA



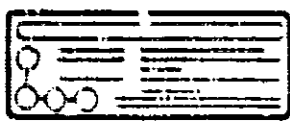
Emblem & Name Plate

3A7 (74-56) **19**




Ash Receptacle

3M6 (74-55) **18**



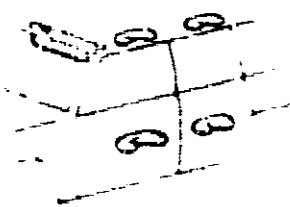
Caution Plate

3L7 (78-51) **23**



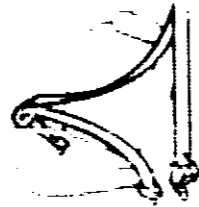
Accelerator Link

3J6 (74-51) **17**




Armrest & Visor

3M6 (71-52) **18**



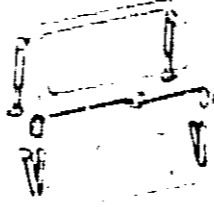
Seat Belt

3C6 (71-51) **15**




Seat & Seat Track

3L5 (67-62) **14**




Back Door Lock & Hinge

3J5 (67-61) **13**



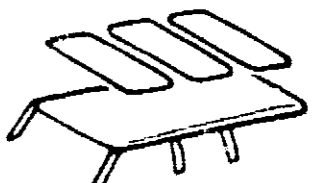
Back Door Panel & Glass

3G4 (64-55) **12**

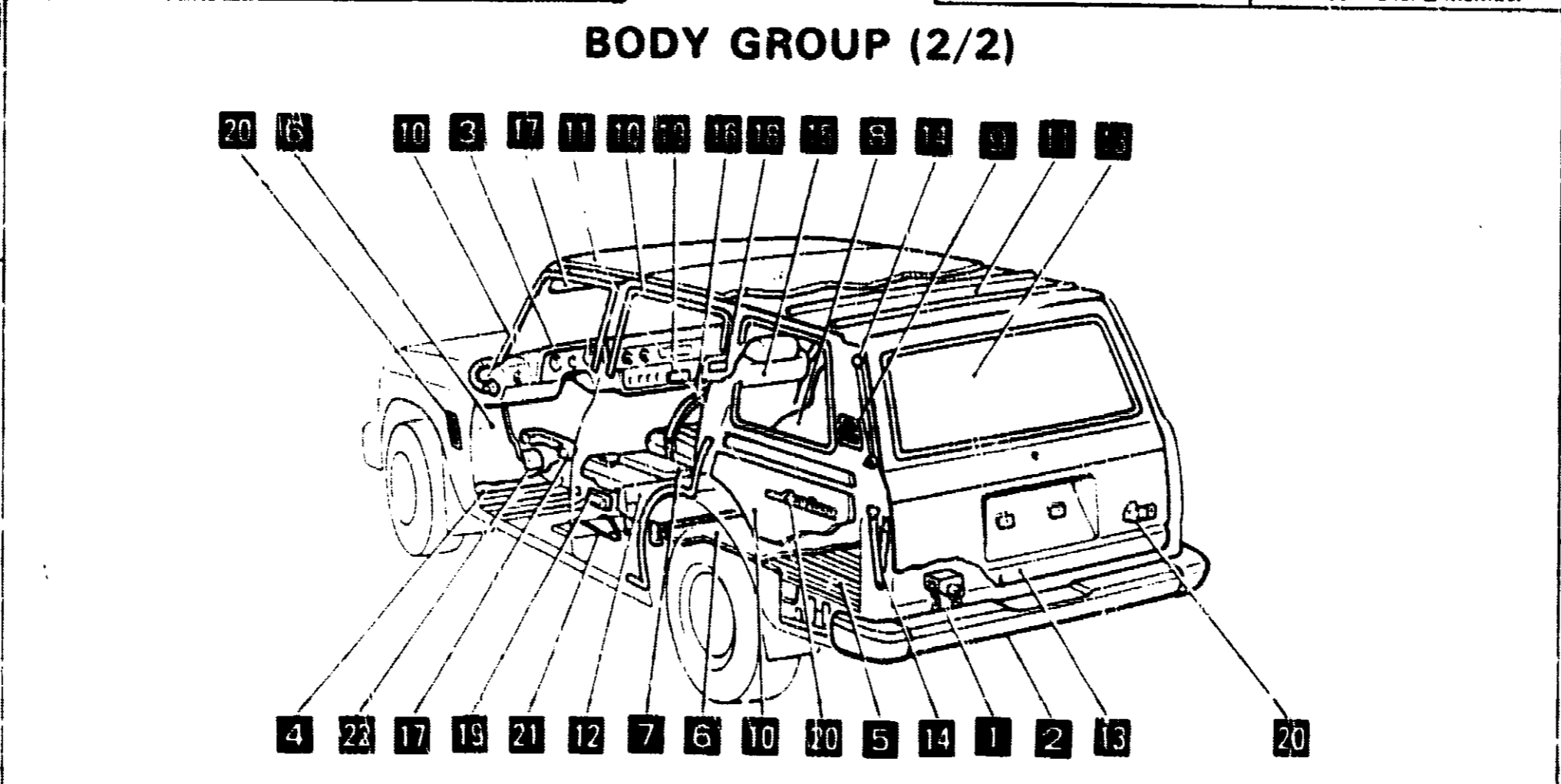


Deck Board & Deck Trim Cover

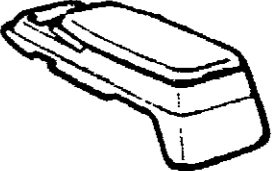
3E4 (64-52) **11**



Roof Headlining & Pad




3D3 (58-55) **7**




Console Box

3K3 (61-52) **8**




Side Window

3A4 (61-55) **9**



Rear & Roof Ventilator

3B4 (64-51) **10**



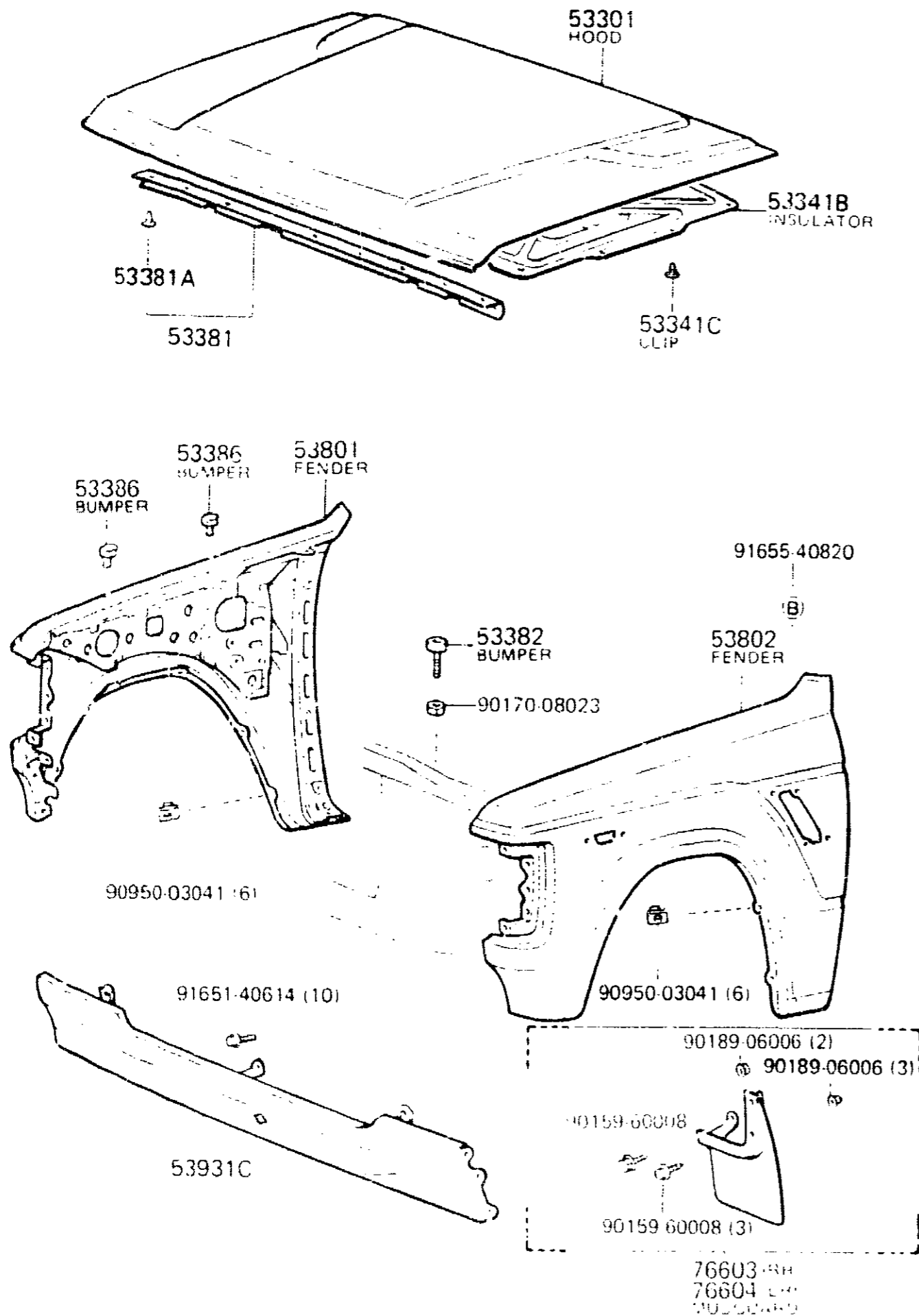
Inside Trim Board

FIG. 53-53 HOOD & FRONT FENDER

3J1

791430M-01246

(8708-)



M3 L879 A

PROD. DATE	MODELS	DESCRIPTION	R / P	PART NUMBER	Q T Y.	REV. REF	
						F	T
8708-9001	FJ62	HOOD SUB-ASSY		53301-90A01-	1		
8708-9001	FJ62	INSULATOR, HOOD		53341-90A00-	1		
8708-9001	FJ62	CLIP (FOR HOOD INSULATOR)		90467-09014-	17		
8708-9001	FJ62	SEAL, HOOD TO RADIATOR SUPPORT		53381-90A00-	1		
8708-9001	FJ62	CLIP (FOR HOOD TO RADIATOR SUPPORT SEAL)		90467-08011-	9		
8806-9001	FJ62	BUMPER, HOOD, FRONT		53382-90K01-	2		
8708-9001	FJ62	BUMPER, HOOD, REAR		53382-30060-	4		
8708-9001	FJ62	FENDER SUB-ASSY, FRONT, RH		53801-90G00-	1		
8708-9001	FJ62	FENDER SUB-ASSY, FRONT, LH		53802-90A72-	1		
8708-9001	FJ62	PANEL, FRONT END		53931-90AC6-	1		

PROD. DATE	MODELS	DESCRIPTION	R / P	PART NUMBER	Q T Y.	REV. REF	
						F	T
8708-900	↔ 57417A ↔ FJ62	REINFORCEMENT, FRONT FLOOR UNDER		57417-90A03-	1		
8708-900	↔ 57425 ↔ FJ62	REINFORCEMENT, FRONT FLOOR, NO.2 RH		57425-90A02-	1		
8708-900	↔ 57426 ↔ FJ62	REINFORCEMENT, FRONT FLOOR, NO.2 LH		57426-90A04-	1		
8708-900	↔ 57427 ↔ FJ62	REINFORCEMENT, FRONT FLOOR TO BRACE		57427-90A00-	1		
8708-900	↔ 57468B ↔ FJ62	BRACKET, FRONT SEAT, REAR		57468-90A01-	2		
8708-900		OUTER		57468-90A01-	2		
8708-900		INNER		57468-90A02-	2		
8708-900	↔ 57483 ↔ FJ62	RETAINER, DIFFERENTIAL LOCK LEVER SUPPORT		57483-90A00-	2		
8708-900	↔ 57511 ↔ FJ62	REINFORCEMENT, FRONT FLOOR, CENTER		57511-90A03-	1		
8708-900		W(FRONT HEATER & DIFFERENTIAL LOCK)			1		

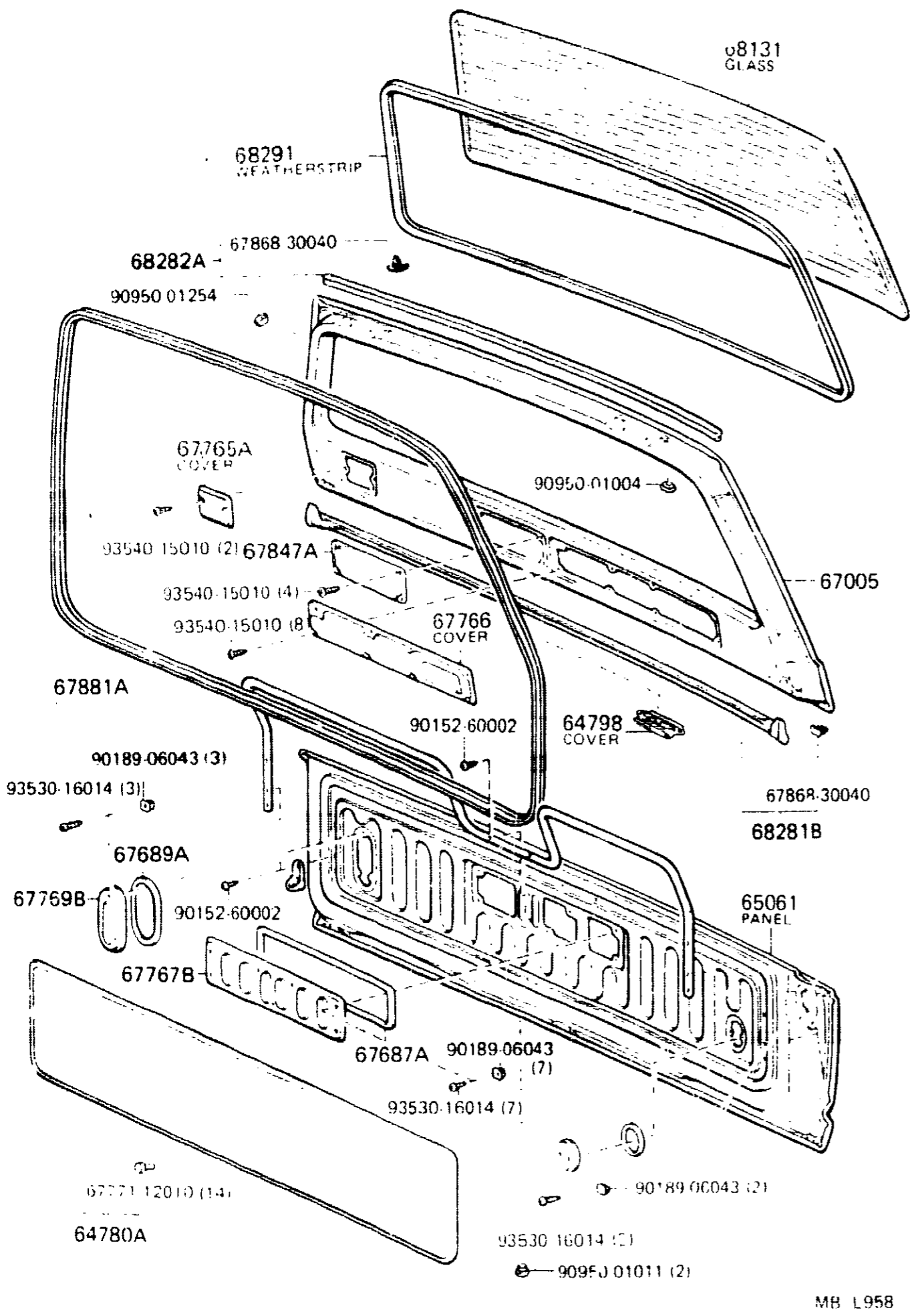
PROD. DATE	MODELS	DESCRIPTION	R / P	PART NUMBER	Q T Y.	REV. REF	
						F	T
8708-900	↔ 58111 ↔ FJ62	PAN, FRONT FLOOR		58111-90A46-	1		
8708-900	↔ 58171 ↔ FJ62	REINFORCEMENT, PARKING BRAKE BASE		58107-90A00-	1		
8708-900	↔ 58188A ↔ FJ62	BRACKET, ACCELERATOR PEDAL STOPPER		58188-90A03-	1		
8708-900	↔ 58191 ↔ FJ62	FOOTREST, FRONT FLOOR		58192-90A00-	1		
8708-900	↔ 58203A ↔ FJ62	REINFORCEMENT SUB-ASSY, CENTER FLOOR PANEL, RH		58203-90A00-	1		
8708-900	↔ 58204A ↔ FJ62	REINFORCEMENT SUB-ASSY, CENTER FLOOR PANEL, LH		58204-90A00-	1		
8708-900	↔ 58208 ↔ FJ62 . USA	PAN, CENTER FLOOR		58211-90A21-	1		
8708-900		W(FRONT HEATER)		58211-90A24-	1		
8708-900		W(FRONT HEATER & DIFFERENTIAL LOCK)		58211-90A26-	1		
8708-900		W(DIFFERENTIAL LOCK)		58211-90A28-K	1		
8708-900	↔ 58247A ↔ FJ62	REINFORCEMENT, REAR SEAT CUSHION HINGE, RH		58247-90A00-	1		
8708-900	↔ 58248 ↔ FJ62	REINFORCEMENT, REAR SEAT CUSHION LOCK		58248-90A00-	1		

PROD. DATE	MODELS	DESCRIPTION	R / P	PART NUMBER	Q T Y.	REV. REF	
						F	T
	↔ 67601A	RETAINER (FOR FRONT DOOR TRIM BOARD)					
8708-9001	FJ62			67771-22010-	22		
	↔ 67602	BOARD SUB-ASSY, FRONT DOOR TRIM, LH					
8708-8808	FJ62	SHADOW GRAY(TRIM1)		67620-90G07-03	1		
8708-8808	FJ62	SEPIA BROWN(TRIM4)		67620-90G07-06	1		
8708-8808	FJ62..CND	W(POWER WINDOW), SHADOW GRAY(TRIM1)		67620-90G14-03	1		
8708-8808	FJ62..USA	W(POWER WINDOW), SHADOW GRAY(TRIM1)		↗	1		
8708-8808	FJ62..CND	W(POWER WINDOW), SEPIA BROWN(TRIM4)		67620-90G14-06	1		
8708-8808	FJ62..USA	W(POWER WINDOW), SEPIA BROWN(TRIM4)		↗	1		
P 8808-9001	FJ62..WGG	SHADOW GRAY(TRIM1)		67620-90G41-03	1		
P 8808-9001	FJ62..WGG	SEPIA BROWN(TRIM4)		67620-90G41-06	1		
P 8808-9001	FJ62..CND	W(POWER WINDOW), SHADOW GRAY(TRIM1)		67620-90G48-03	1		
P 8808-9001	FJ62..WGG..USA	W(POWER WINDOW), SHADOW GRAY(TRIM1)		↗	1		
P 8808-9001	FJ62..CND	W(POWER WINDOW), SEPIA BROWN(TRIM4)		67620-90G48-06	1		
P 8808-9001	FJ62..WGG..USA	W(POWER WINDOW), SEPIA BROWN(TRIM4)		↗	1		
	↔ 67651A	GRILLE, SPEAKER DOOR					
P 8708-9001	FJ62	SHADOW GRAY(TRIM1)		67651-90A01-03	2		
P 8708-9001	FJ62	SEPIA BROWN(TRIM4)		67651-90A01-06	2		
	↔ 67777	POCKET, FRONT DOOR TRIM, RH					
P 8708-9001	FJ62	SHADOW GRAY(TRIM1)		67777-22040-23	1		
P 8708-9001	FJ62	BROWN(TRIM4)		67777-22040-36	1		

PROD. DATE	MODELS	DESCRIPTION	R / P	PART NUMBER	Q T Y.	REV. REF	
						F	T
	↔ 67778	POCKET, FRONT DOOR TRIM, LH					
P 8708-9001	FJ62	SHADOW GRAY(TRIM1)		67778-22030-23	1		
P 8708-9001	FJ62	BROWN(TRIM4)		67778-22030-46	1		
	↔ 67831	COVER, FRONT DOOR SERVICE HOLE, RH					
P 8708-8908	FJ62			67832-90A07-	1		
B 8908-9001	FJ62..WGG			67832-90A04-	1		
	↔ 67832	COVER, FRONT DOOR SERVICE HOLE, LH					
P 8708-8908	FJ62			67832-90A07-	1		
B 8908-9001	FJ62..WGG			67832-90A04-	1		
	↔ 67861	WEATHERSTRIP, FRONT DOOR, RH					
8708-9001	FJ62			67861-90A00-	1		
	↔ 67862	WEATHERSTRIP, FRONT DOOR, LH					
8708-9001	FJ62			67862-90A00-	1		
	↔ 67867C	RETAINER, FRONT DOOR WEATHERSTRIP, RH					
8708-9001	FJ62			67868-30040-	22		
	↔ 67868C	RETAINER, FRONT DOOR WEATHERSTRIP, LH					
8708-9001	FJ62			67868-30040-	22		
	↔ 68101	GLASS SUB-ASSY, FRONT DOOR, RH					
8708-9001	FJ62	*TT, T=4.0		68111-90A01-	1		
	↔ 68102	GLASS SUB-ASSY, FRONT DOOR, LH					
8708-9001	FJ62	*TT, T=4.0		68112-90A01-	1		

*TT - Tinted Tempered Glass

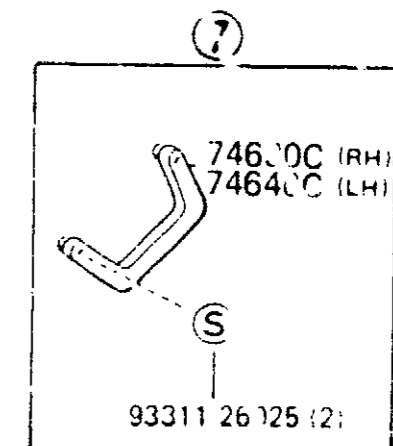
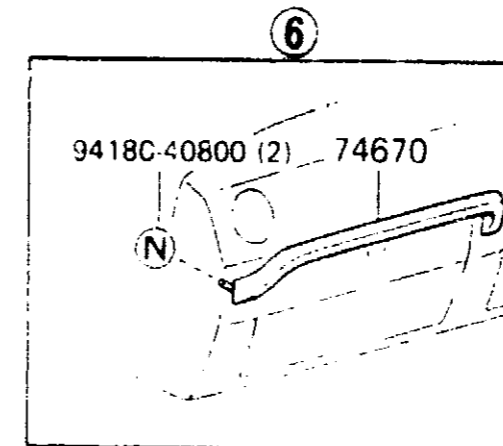
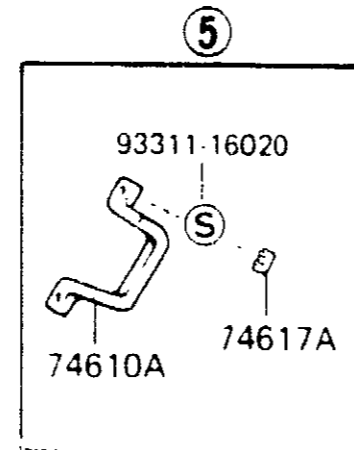
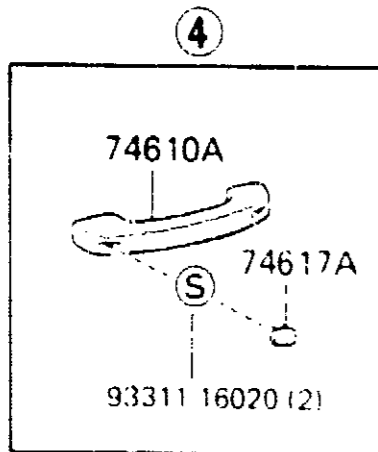
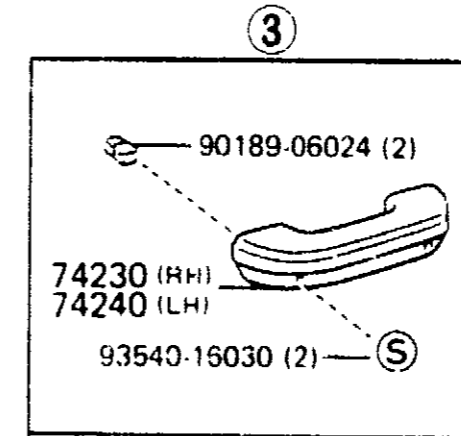
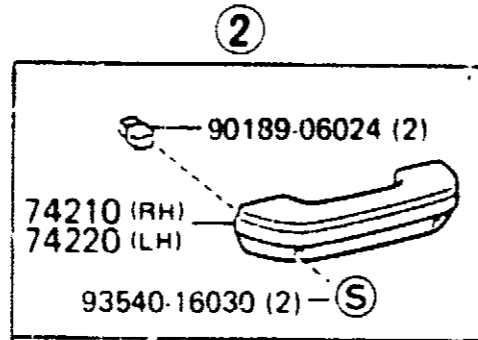
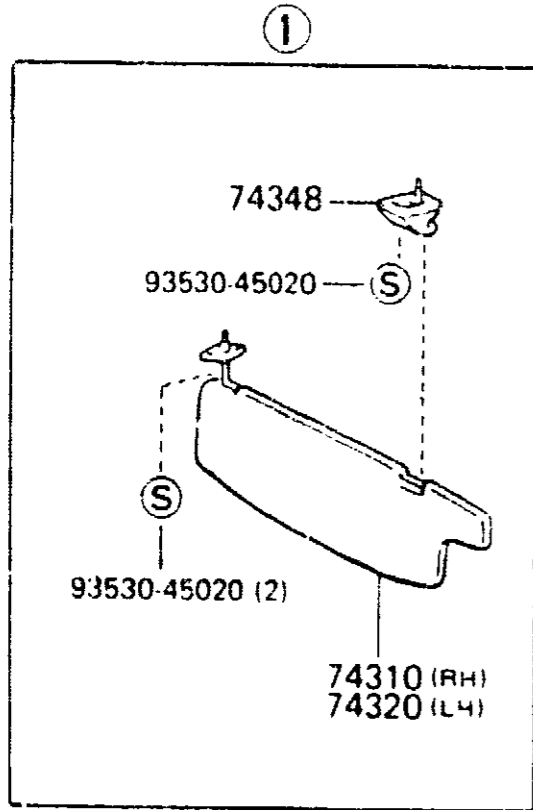
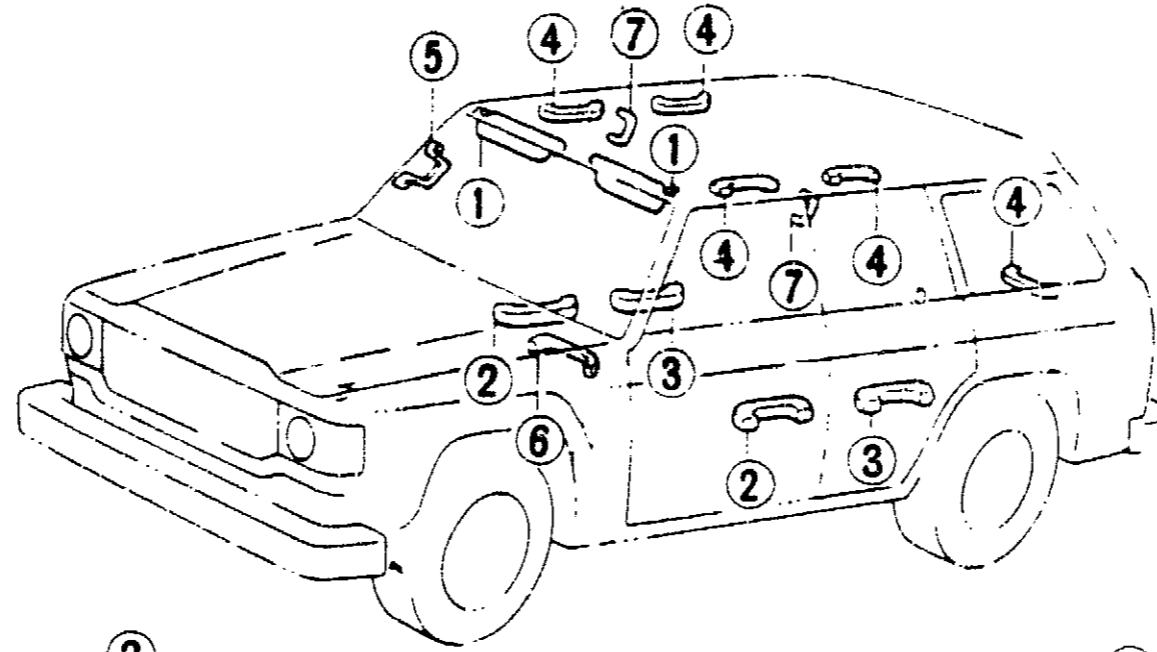
(8708-)



MB L958

PROD. DATE	MODELS	DESCRIPTION	R / P	PART NUMBER	Q T Y.	REV. REF	
						F	T
		64780A PANEL ASSY, BACK DOOR TRIM					
P 8708-9001	FJ62	SHADOW GRAY (TRIM1)		64780-90A01-13	1		
P 8708-9001	FJ62	SEPIA BROWN (TRIM4)		64780-90A01-16	1		
		64798 COVER, BACK DOOR LOCK					
8708-9001	FJ62			64798-90A00-	1		
		65061 PANEL SUB-ASSY, TAIL GATE					
8708-9001	FJ62			65061-90A13-	1		
		67005 PANEL SUB-ASSY, BACK DOOR					
8708-9001	FJ62			67005-90A20-	1		
8708-9001	FJ62	W (POWER WINDOW)		67005-90A27-	1		
		67687A PACKING, BACK DOOR SERVICE HOLE, NO.3					
8708-9001	FJ62			67687-90A00-	1		
		67689A PACKING, BACK DOOR SERVICE HOLE, NO.5					
8708-9001	FJ62			67689-90A00-	1		
		67765A COVER, BACK DOOR SERVICE HOLE, NO.1					
8708-9001	FJ62			67765-90A00-	1		
		67766 COVER, BACK DOOR SERVICE HOLE, NO.2					
8708-9001	FJ62			67766-90A00-	1		
		67767B COVER, BACK DOOR SERVICE HOLE, NO.3					
8708-9001	FJ62			67767-90A00-	1		
		67769B COVER, BACK DOOR SERVICE HOLE, NO.5					
8708-9001	FJ62			67769-90A00-	1		

(8708-)



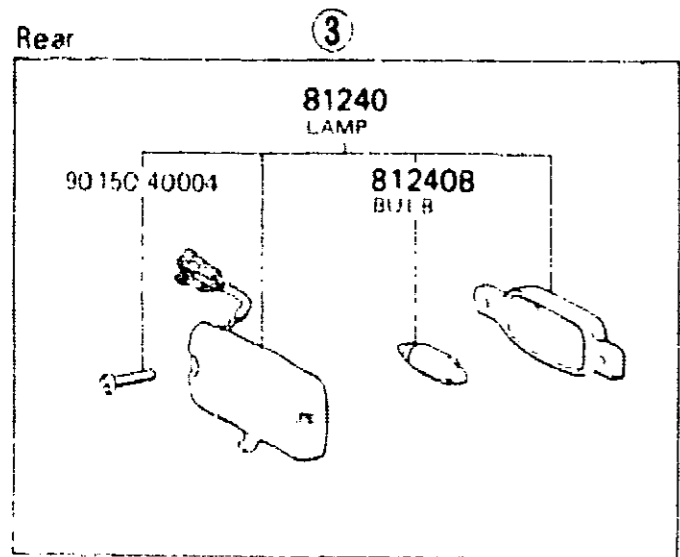
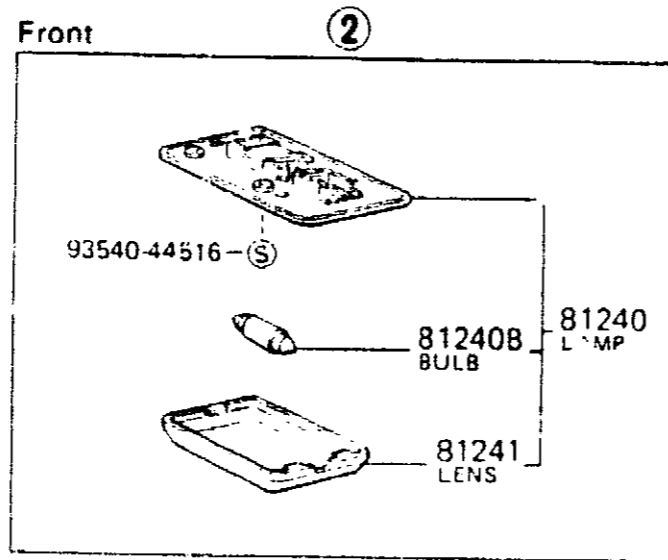
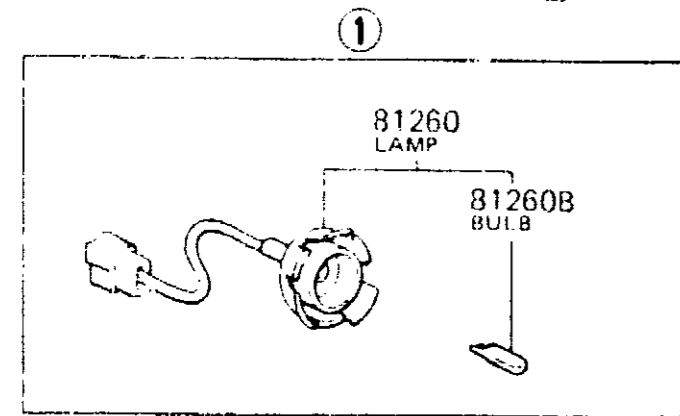
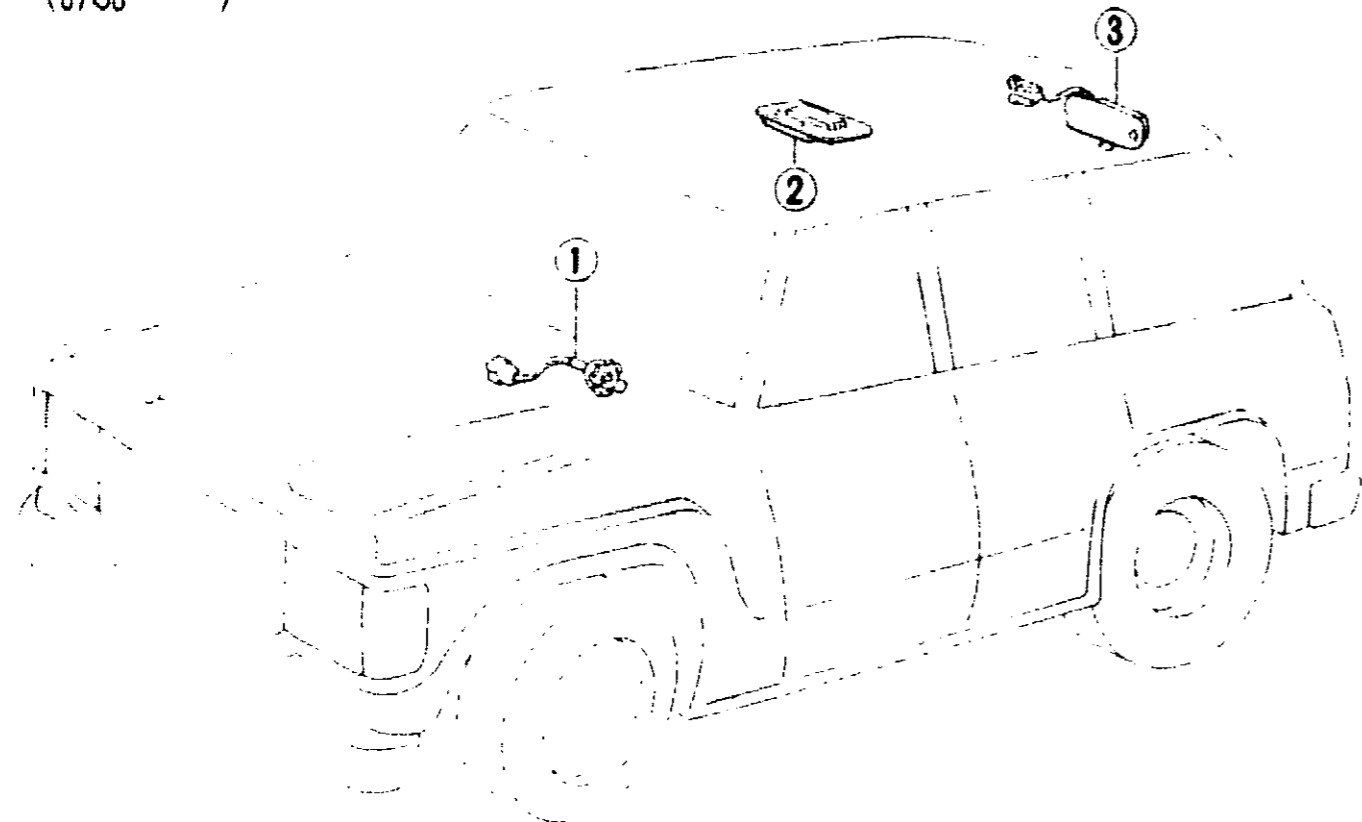
MB M017 A

PROD. DATE	MODELS	DESCRIPTION	R / P	PART NUMBER	Q T Y.	REV. REF	
						F	T
8708-9001	FJ62	PROTECTOR, FUEL HOSE		58279-90A00-	1		
8708-9001	FJ62	HOSE, FUEL (FOR FUEL EVAPORATIVE SEPARATOR)		77249-60040-	1		
8708-9001	FJ62	250X312X92		77249-60050-	1		
8708-9001	FJ62	265X285X70		90445-22015-	1		
8708-9001	FJ62	L=150		90445-22904-	1		
8708-9001	FJ62	L=300		95332-10024-	4		
8708-9001	FJ62	*H, L=240		95332-10036-	1		
8708-9001	FJ62	L=360		95333-06040-	1		
8708-9001	FJ62	*H, L=340		95333-06060-	1		
8708-9001	FJ62	*H, L=480					
8708-9001	FJ62	CABLE SUB-ASSY, FUEL LID LOCK CONTROL		77030-90A01-	1		
8708-9001	FJ62	LOCK SUB-ASSY, FUEL FILLER OPENING LID		77037-90K00-	1		
8708-9001	FJ62	TANK ASSY, FUEL		77001-60220-	1		
8708-9001	FJ62	PLUG (FOR FUEL TANK)		90125-12018-	1		
8708-9001	FJ62	GASKET (FOR FUEL TANK)		90430-12245-	1		
8708-9001	FJ62	VALVE, FUEL LIQUID VAPOR SEPARATOR		77193-60031-	1		

PROD. DATE	MODELS	DESCRIPTION	R / P	PART NUMBER	Q T Y.	REV. REF	
						F	T
8708-9001	FJ62	PIPE SUB-ASSY, FUEL TANK INLET		77201-60150-	1		
8708-9001	FJ62	CONNECTOR SUB-ASSY, FUEL TUBE		77209-60041-	1		
8708-9001	FJ62	HOSE, FUEL TANK TO FILLER PIPE		77213-60050-	1		
8708-8806	FJ62	HOSE ASSY, FUEL RETURN		# 77250-60080- (77250-60081-) (90464-00516-)	1		
A 8808-9001	FJ62..WGG			77250-60081-	1		
8708-9001	FJ62	TUBE, FUEL MAIN		77205-60140-	1		
8708-9001	FJ62	HOSE, FUEL, NO. 1 (FOR EMISSION TUBE, NO. 1) *H, L=700		95333-06080-	1		
8708-9001	FJ62	HOSE, FUEL, NO. 2 (FOR FUEL RETURN TUBE)		77250-60090-	1		
8708-9001	FJ62	TUBE, FUEL TANK TO CANISTER		77262-60030-	1		
8708-9001	FJ62	HOSE, FUEL, NO. 1 (FOR FUEL TANK TO CANISTER TUBE) *H, L=360		95333-06040-	1		
8708-9001	FJ62	TUBE, FUEL EMISSION, NO. 2		77261-60080-	1		

*H, L = Cut hose to length as specified in remarks

(8708-)



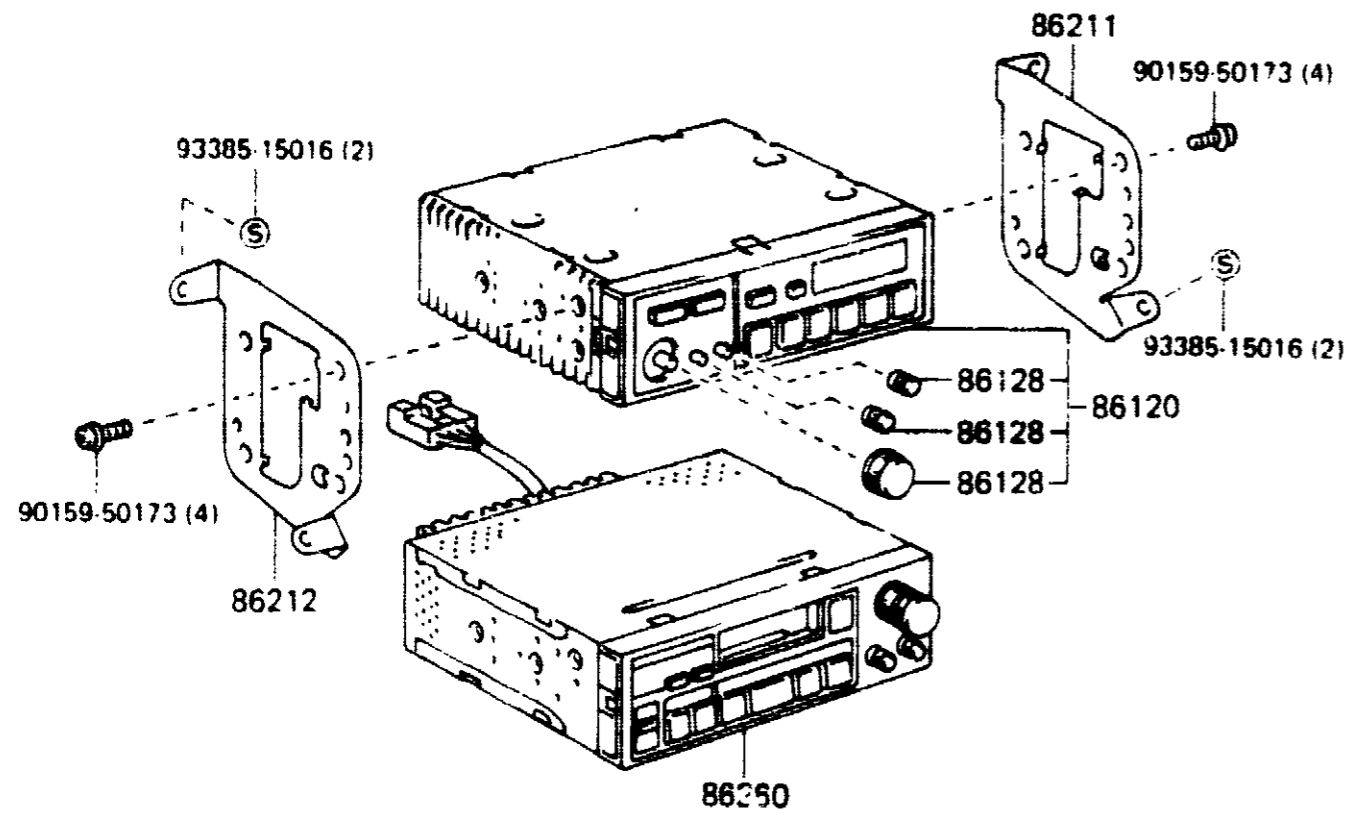
ME J490

PROD. DATE	MODELS	DESCRIPTION	R / P	PART NUMBER	Q T Y.	REV. REF	
						F	T
	81240	LAMP ASSY, ROOM, NO. 1					
P 8708-9001	FJ62	IVORY (TRIM 1, 4), FRONT		81240-22070-08	1		002
P 8708-9001	FJ62	REAR		81240-95A16-	1		002
	81240B	BULB, ROOM LAMP, NO. 1					
P 8708-9001	FJ62	12V 10W, REAR		90981-11004-	1		002
P 8708-9001	FJ62	12V 10W, FRONT		99132-12100-	1		002
	81241	LENS, ROOM LAMP, NO. 1					
P 8708-9001	FJ62			81241-20060-	1		002
	81260	LAMP ASSY, GLOVE BOX					
8708-8808	FJ62			81260-22030-	1		002
8808-9001	FJ62..CND			⚡	1		
8808-9001	FJ62..WGV			⚡	1		
	81260B	BULB (FOR GLOVE BOX)					
8708-8808	FJ62	12V 1.2W OR 14V 1.4W		90981-11018-	1		002
8808-9001	FJ62..CND	12V 1.2W OR 14V 1.4W		⚡	1		
8808-9001	FJ62..WGV	12V 1.2W OR 14V 1.4W		⚡	1		

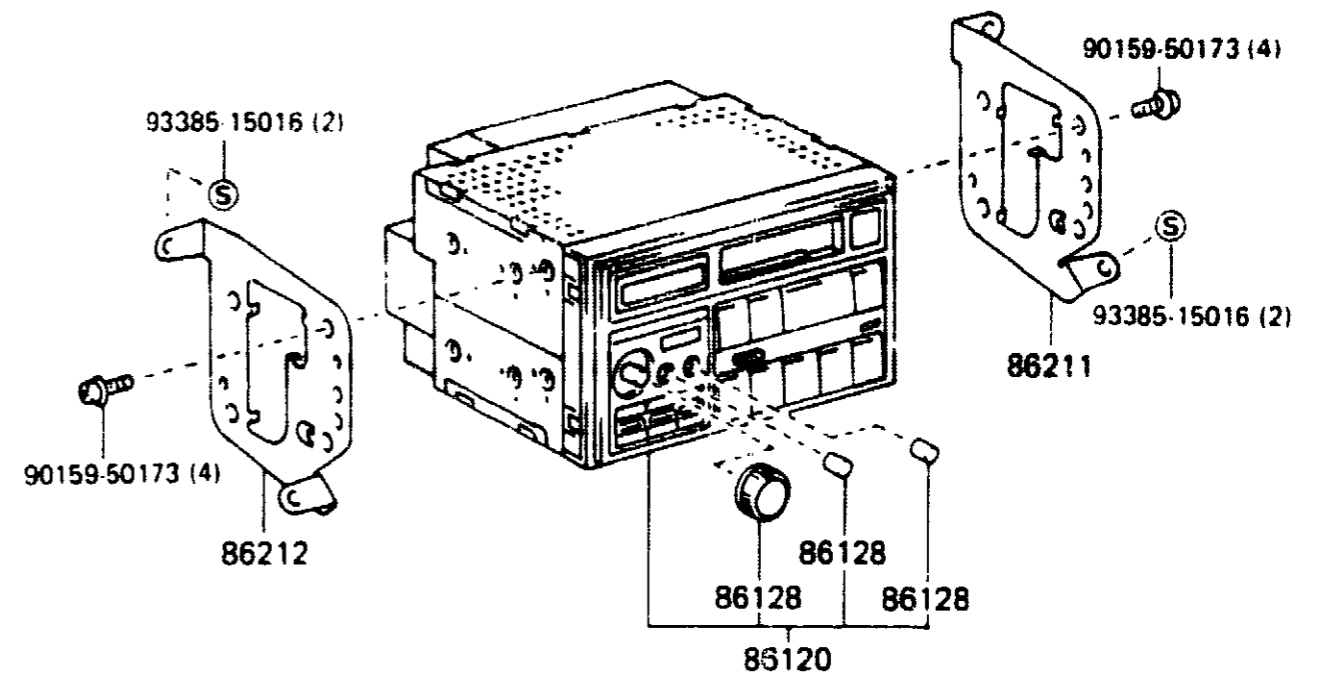
PROD. DATE	MODELS	DESCRIPTION	R / P	PART NUMBER	Q T Y.	REV. REF	
						F	T
8708-9001	FJ62	SWITCH, REAR WIPER		84653-32020-	1		
8708-9001	FJ62	SWITCH, TRANSMISSION CONTROL		84722-60070-	1		
P 8708-8909	FJ62	FRONT		84730-90A00-	1		
8708-9001	FJ62	REAR		84732-90A00-	1		
N 8909-9001	FJ62.-WGG	FRONT		84730-90A02-	1		
8708-9001	FJ62	SWITCH ASSY, ANTENNA		84760-90A01-	1		
8708-9001	FJ62	SWITCH ASSY, REAR WINDOW DEFOGGER		84790-90A09-	1		
P 8708-9001	FJ62	SHADOW GRAY(TRIM1) ,FRONT		84810-90A02-03	1		
P 8708-9001	FJ62	SEPIA BROWN(TRIM4) ,FRONT		84810-90A02-06	1		
P 8708-9001	FJ62	SHADOW GRAY(TRIM1) ,REAR		84810-90A03-03	2		
P 8708-9001	FJ62	SEPIA BROWN(TRIM4) ,REAR		84810-90A03-06	2		
P 8708-9001	FJ62	MASTER SWITCH ASSY, POWER WINDOW REGULATOR		84820-90A08-03	1		
P 8708-9001	FJ62	SEPIA BROWN(TRIM4)		84820-90A08-06	1		

PROD. DATE	MODELS	DESCRIPTION	R / P	PART NUMBER	Q T Y.	REV. REF	
						F	T
8708-8804	FJ62	SWITCH ASSY, OUTER MIRROR		84870-14060-	1		
8804-8807	FJ62			84870-22040-	1		
8807-9001	FJ62			84870-90A00-	1		
8708-9001	FJ62	BRACKET, HAND BRAKE SIGNAL SWITCH		84956-60030-	1		
8708-9001	FJ62	SOLENOID ASSY, FOUR WHEEL DRIVE CONTROL		85440-60120-	1		
8708-9001	FJ62	LIGHTER ASSY, CIGARETTE		85500-90A07-	1		
8708-9001	FJ62	KNOB AND ELEMENT ASSY, CIGARETTE LIGHTER		85520-14030-	1		
8708-8803	FJ62	FRONT		85913-30020-	1		
8708-9001	FJ62	REAR		88630-14010-	1		
8803-9001	FJ62	FRONT		90987-04002-	1		
8708-9001	FJ62	RELAY, LIGHT CONTROL		90987-01003-	1		
8708-9001	FJ62	TAIL		90987-02006-	1		
8708-9001	FJ62	HEAD		90987-03001-	1		
8708-9001	FJ62	RELAY, FRONT DRIVE					

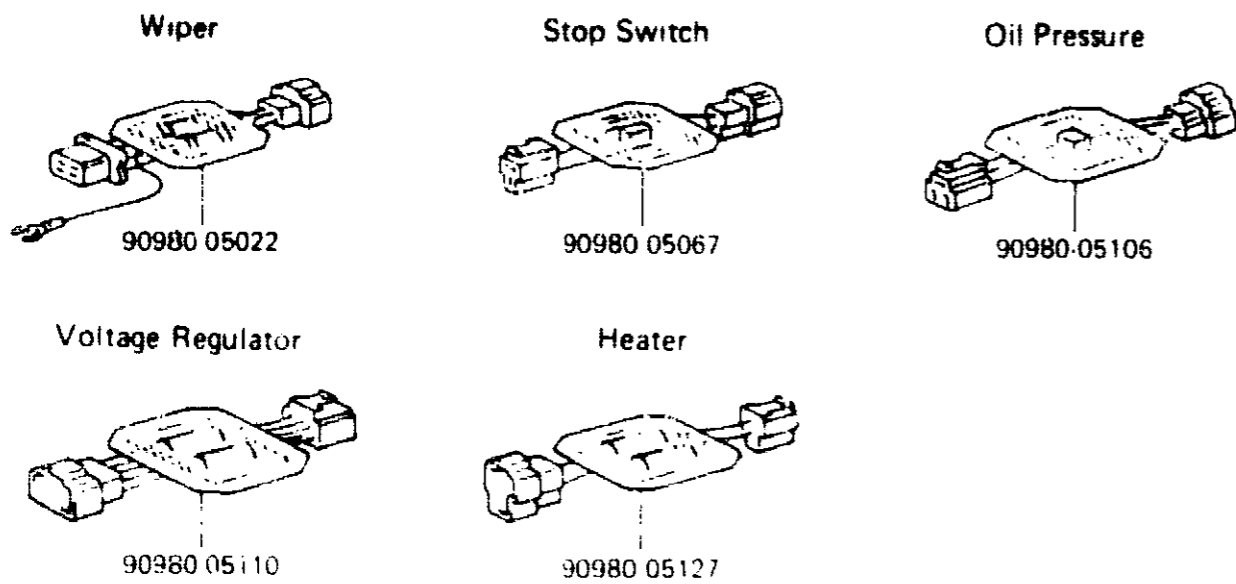
(8708-)



(8708-)
W/CASSET

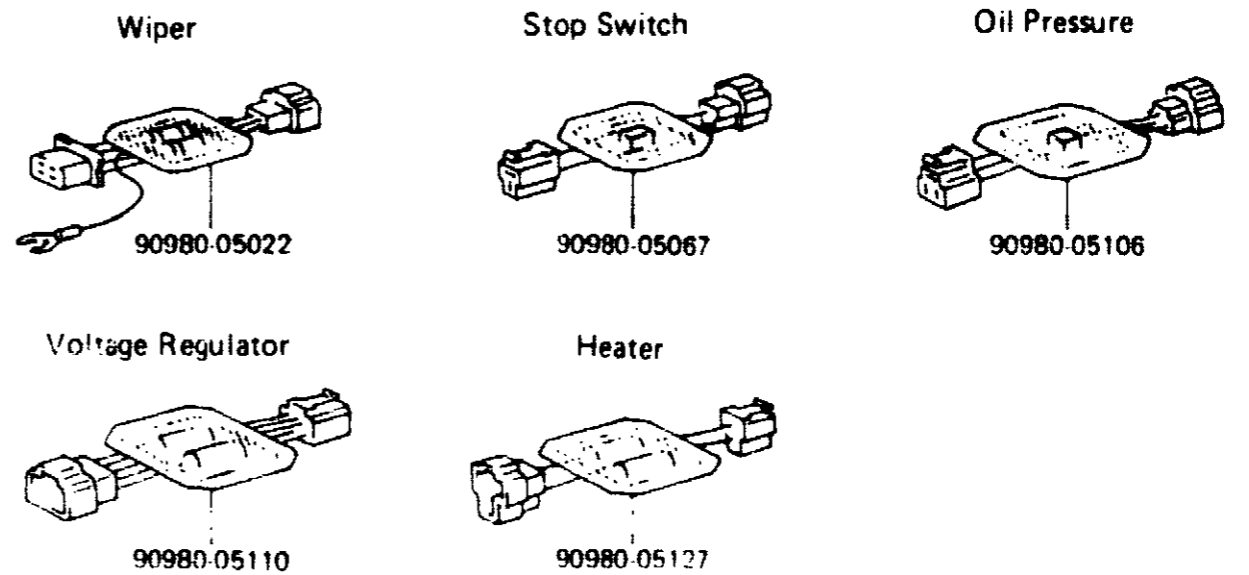


Noise Filter 86011C



ME J663 A

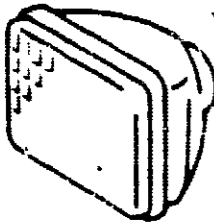
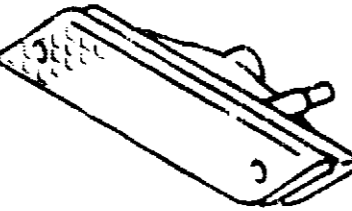
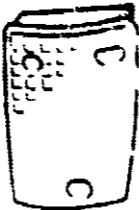
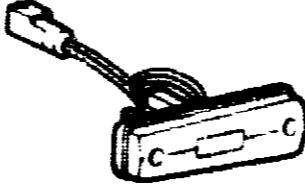
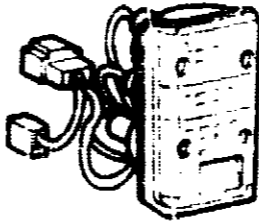

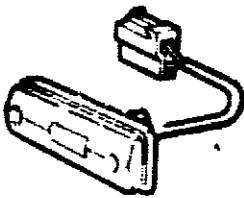
Noise Filter 86011C



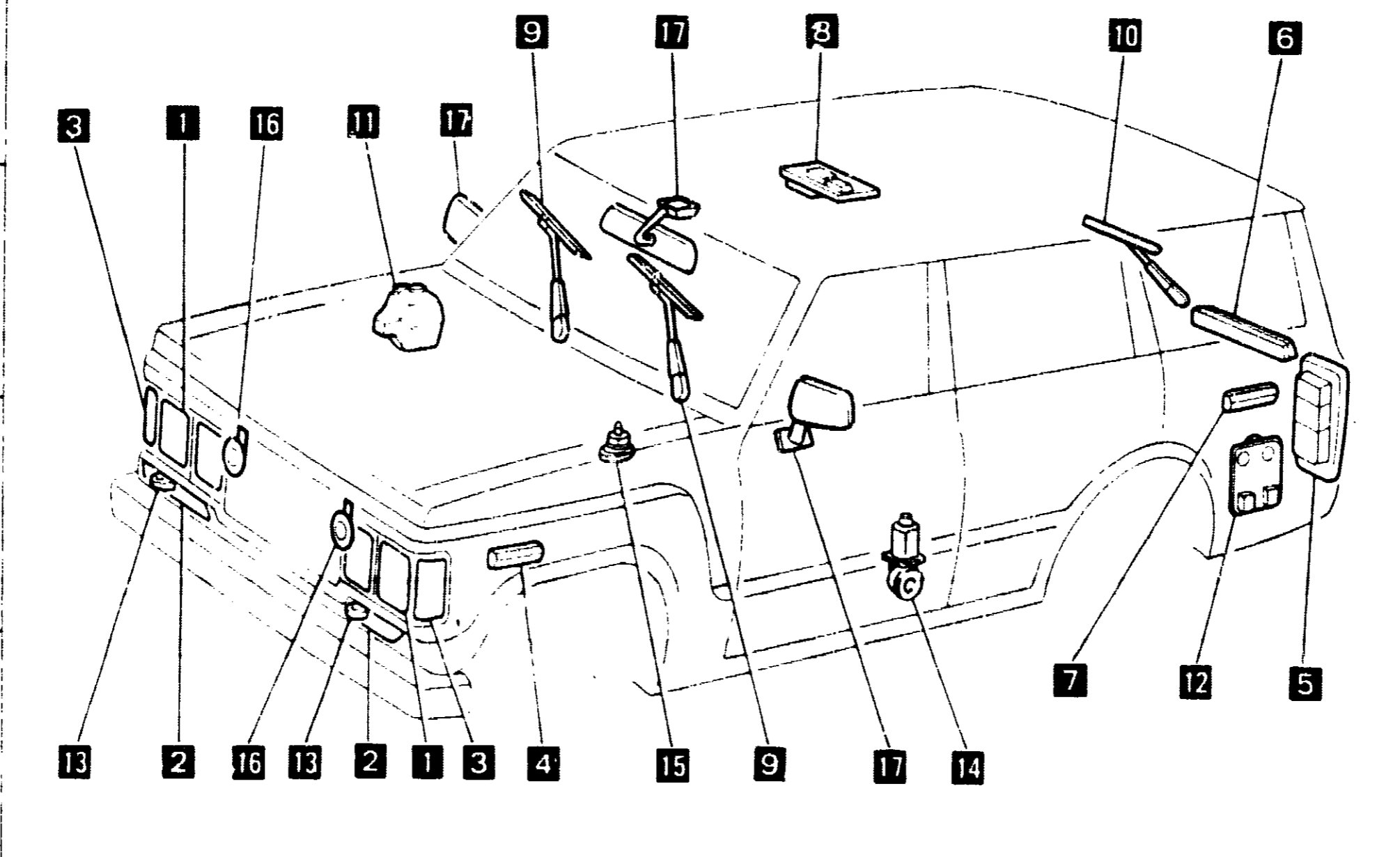
ME J664-A


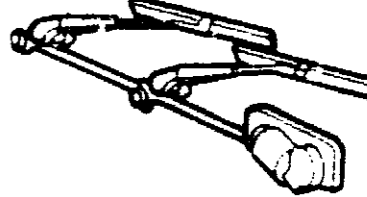
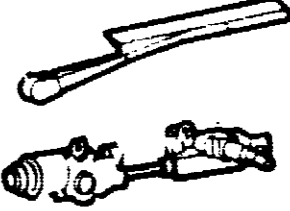
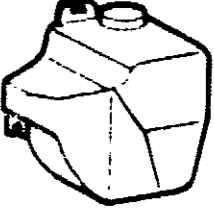
PROD. DATE	MODELS	DESCRIPTION	R / P	PART NUMBER	Q T Y.	REV. REF	
						F	T
8805-9001	↔ 55084C ↔ FJ62	DUCT SUB-ASSY, HEATER TO REGISTER, NO.1		55084-90A03-	1		
8708-9001	↔ 55085 ↔ FJ62	DUCT SUB-ASSY, HEATER TO REGISTER, NO.2		55085-90A01-	1		
8708-9001	↔ 55086 ↔ FJ62	DUCT SUB-ASSY, HEATER TO REGISTER, NO.3		55086-90A01-	1		
8708-9001	↔ 55087 ↔ FJ62	DUCT SUB-ASSY, HEATER TO REGISTER, NO.4		55087-90A01-	1		
8708-9001	↔ 55088 ↔ FJ62	DUCT SUB-ASSY, HEATER TO REGISTER, NO.5		55088-90A01-	1		
8708-9001	↔ 55089 ↔ FJ62	DUCT SUB-ASSY, HEATER TO REGISTER, NO.6		55089-90A03-	1		
8708-8805	↔ 55843A ↔ FJ62	DUCT, HEATER TO REGISTER, NO.1		# 55843-90A03- (55084-90A03-)	1 1		
8708-9001	↔ 55906A ↔ FJ62	CABLE SUB-ASSY, DEFROSTER DAMPER CONTROL		55905-90A00-	1		
8708-9001	↔ 55907A ↔ FJ62	CABLE SUB-ASSY, WATER VALVE CONTROL		87286-90A01-	1		
8708-9001	↔ 55908A ↔ FJ62	CABLE SUB-ASSY, AIR INLET DAMPER CONTROL		55908-90A00-	1		

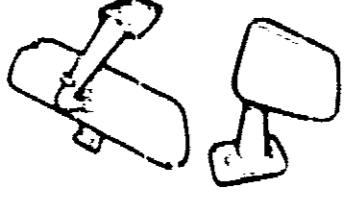

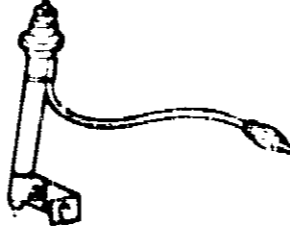

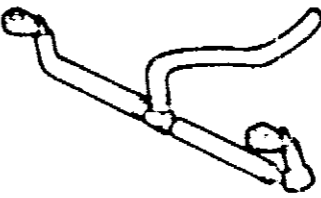

PROD. DATE	MODELS	DESCRIPTION	R / P	PART NUMBER	Q T Y.	REV. REF	
						F	T
8708-9001	↔ 55909A ↔ FJ62	CABLE SUB-ASSY, AIRMIX DAMPER CONTROL		55907-90A00-	1		
8708-9001	↔ 55910 ↔ FJ62	CONTROL ASSY, HEATER OR BOOST VENTILATOR		55901-90A01-	1		
8708-9001	↔ 55937 ↔ FJ62	KNOB, HEATER CONTROL LEVER		55905-22050-	4		
8708-9001	↔ 87211 ↔ FJ62	DUCT, AIR, NO.1		87211-90A01-	1		
8708-9001	↔ 87211B ↔ FJ62	DUCT, AIR, NO.3		87201-90A04-	1		
8708-9001	↔ 87211C ↔ FJ62	DUCT, AIR, NO.4		87201-90A02-	1		

<p>3A8 (81-01) 1</p>  <p>Headlamp</p>	<p>3C8 (81-03) 2</p>  <p>Front Turn Signal Lamp</p>	<p>3D8 (81-04) 3</p>  <p>Front Clearance Lamp</p>	<p>3E8 (81-05) 4</p>  <p>Front Marker Lamp</p>	<p>3F8 (81-1) 5</p>  <p>Rear Combination Lamp</p>	<p>3H8 (81-3) 6</p>  <p>License Plate Lamp</p>	<p>3I8 (81-14) 7</p>  <p>Rear Side Marker Lamp</p>
---	---	--	--	---	--	--

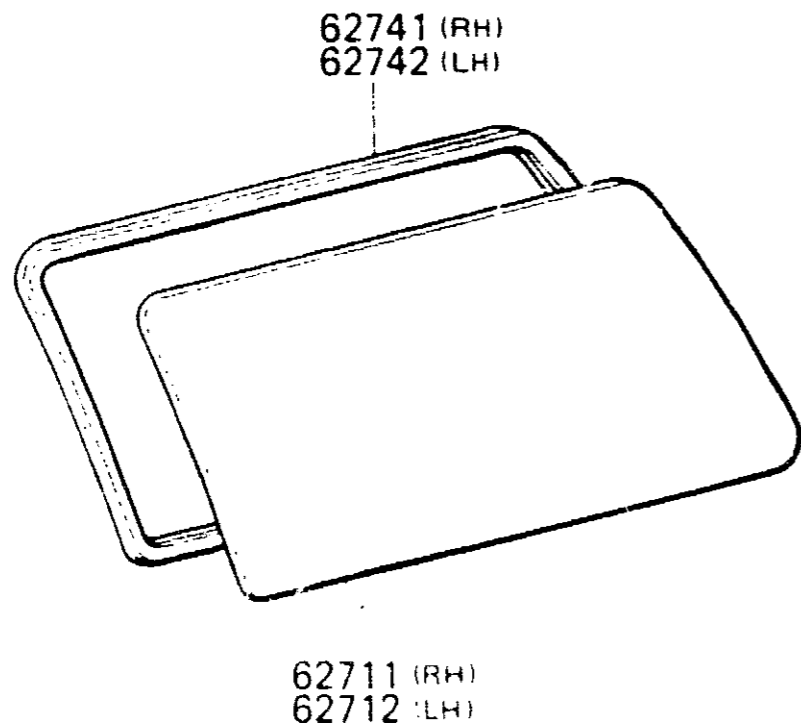
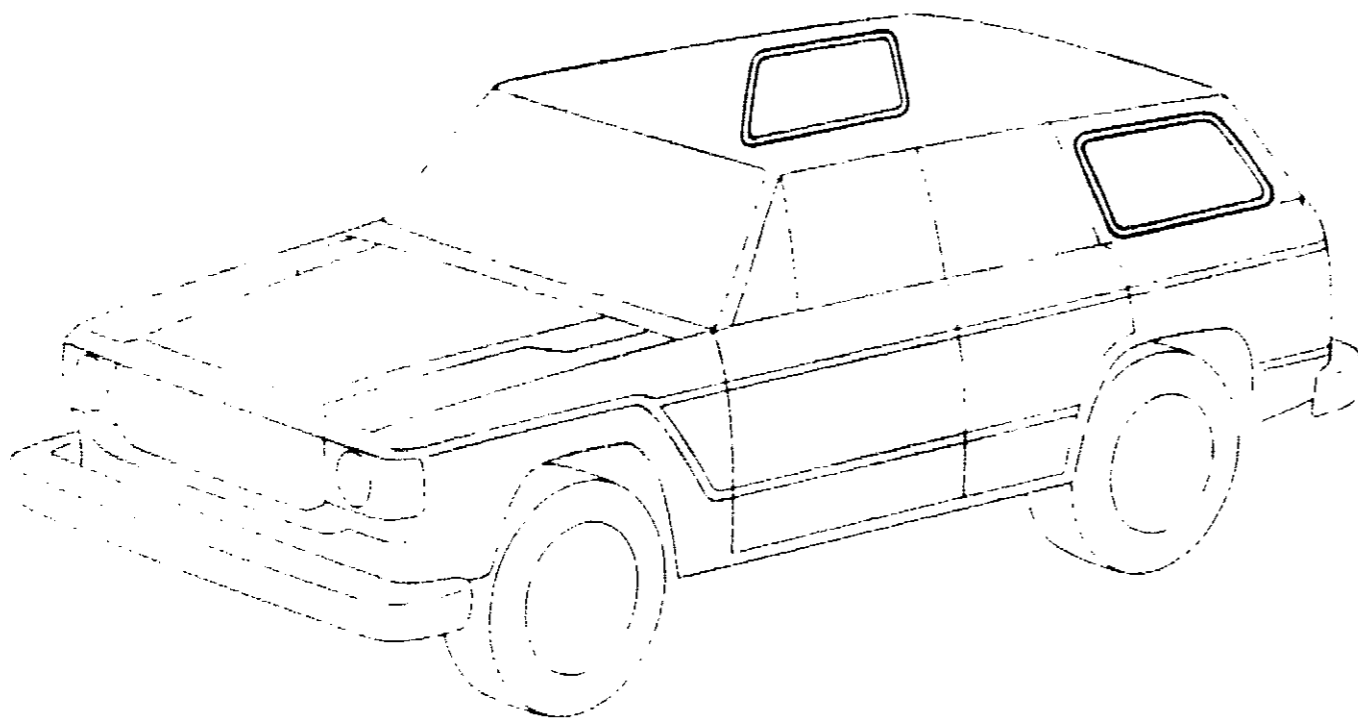
ELECTRICAL GROUP (1/2)



<p>3J8 (81-21) 8</p>  <p>Interior Lamp</p>
<p>3A10 (85-01) 9</p>  <p>Windshield Wiper</p>
<p>3C10 (85-02) 10</p>  <p>Rear Wiper</p>
<p>3D10 (85-03) 11</p>  <p>Windshield Washer</p>

<p>3G11 (87-01) 17</p>  <p>Mirror</p>	<p>3B11 (86-11) 16</p>  <p>Horn</p>	<p>3A11 (86-04) 15</p>  <p>Antenna</p>	<p>3I10 (85-11) 14</p>  <p>Door Motor & Door Solenoid</p>	<p>3G10 (85-05) 13</p>  <p>Headlamp Cleaner</p>	<p>3F10 (85-04) 12</p>  <p>Rear Washer</p>
---	--	--	---	---	--

(8708-)



MB L928

PROD. DATE	MODELS	DESCRIPTION	R / P	PART NUMBER	Q T Y.	REV. REF	
						F	T
8708-9001	FJ62	GLASS, QUARTER WINDOW, RH		62711-90A12-	1		
		*TT, T=3.5					
8708-9001	FJ62	GLASS, QUARTER WINDOW, LH		62712-90A11-	1		
		*TT, T=3.5					
8708-9001	FJ62	WEATHERSTRIP, QUARTER WINDOW, RH		62741-90A01-	1		
8708-9001	FJ62	WEATHERSTRIP, QUARTER WINDOW, LH		62741-90A01-	1		

*TT = Tinted Tempered Glass

PROD. DATE	MODELS	DESCRIPTION	R/P	PART NUMBER	QTY.	REV. REF	
						F	T
	↔ I 74210 I ↔	ARMREST ASSY, FRONT, RH					
P 8708-9001	FJ62	GRAY (TRIM1)		74250-90A00-03	1		
P 8708-9001	FJ62	SEPIA BROWN (TRIM4)		74250-90A00-16	1		
	↔ I 74220 I ↔	ARMREST ASSY, FRONT, LH					
P 8708-9001	FJ62	GRAY (TRIM1)		74250-90A00-03	1		
P 8708-9001	FJ62	SEPIA BROWN (TRIM4)		74250-90A00-16	1		
	↔ I 74230 I ↔	ARMREST ASSY, REAR, RH					
P 8708-9001	FJ62	GRAY (TRIM1)		74250-90A00-03	1		
P 8708-9001	FJ62	SEPIA BROWN (TRIM4)		74250-90A00-16	1		
	↔ I 74240 I ↔	ARMREST ASSY, REAR, LH					
P 8708-9001	FJ62	GRAY (TRIM1)		74250-90A00-03	1		
P 8708-9001	FJ62	SEPIA BROWN (TRIM4)		74250-90A00-16	1		
	↔ I 74310 I ↔	VISOR ASSY, RH					
P 8708-9001	FJ62..CND	IVORY (TRIM1,4)		74310-90A28-08	1		
P 8708-9001	FJ62..USA	IVORY (TRIM1,4)		74310-90A52-02	1		
	↔ I 74320 I ↔	VISOR ASSY, LH					
P 8708-9001	FJ62..CND	IVORY (TRIM1,4)		74320-90A25-08	1		
P 8708-9001	FJ62..USA	IVORY (TRIM1,4)		74320-90A42-08	1		
	↔ I 74348 I ↔	HOLDER, VISOR					
P 8708-9001	FJ62	IVORY (TRIM1,4)		74348-12010-18	2		
	↔ I 74610A I ↔	GRIP SUB-ASSY, ASSIST					
8708-9001	FJ62	IVORY (TRIM1,4), ROO F SIDE & BACK DOOR		74610-10020-18	4		

PROD. DATE	MODELS	DESCRIPTION	R/P	PART NUMBER	QTY.	REV. REF	
						F	T
	↔ I 74610A I ↔	GRIP SUB-ASSY, ASSIST					
8708-9001	FJ62	CONTINUED IVORY (TRIM1,4), FR PILLAR		74610-90K00-08	1		
	↔ I 74617A I ↔	PLUG, ASSIST GRIP					
8708-9001	FJ62	IVORY (TRIM1,4), ROO F SIDE & BACK DOOR		74617-14010-18	8		
8708-9001	FJ62	IVORY (TRIM1,4), FR PILLAR		74617-16010-09	2		
	↔ I 74630C I ↔	GRIP ASSY, DOOR ASSIST, RH					
8708-9001	FJ62	IVORY (TRIM1,4)		74620-90A00-18	1		
	↔ I 74640C I ↔	GRIP ASSY, DOOR ASSIST, LH					
8708-9001	FJ62	IVORY (TRIM1,4)		74620-90A00-18	1		
	↔ I 74670 I ↔	GRIP ASSY, INSTRUMENT ASSIST					
P 8708-9001	FJ62	SHADOW GRAY (TRIM1)		74670-90A01-03	1		
P 8708-9001	FJ62	SEPIA BROWN (TRIM4)		74670-90A01-06	1		

PROD. DATE	MODELS	DESCRIPTION	R / P	PART NUMBER	Q T Y.	REV. REF	
						F	T
8708-9001	FJ62	HOSE, FUEL, NO.1 (FOR FUEL TANK TO CANISTER CENTER TUBE)		9C447-12058-	1		
8708-9001	FJ62	TUBE, FUEL TANK TO CANISTER, NO.3		77244-60110-	1		
8708-9001	FJ62	HOSE, FUEL, NO.1 (FOR FUEL TANK TO CANISTER NO.3 TUBE) L=300		95333-06030-	1		
8708-9001	FJ62	HOSE, FUEL, NO.2 (FOR FUEL TANK TO CANISTER NO.3 TUBE) L=300		95333-06030-	1		
8708-9001	FJ62	PACKING, FUEL TANK OUTER FILLER PIPE		77293-60030-	1		
8708-9001	FJ62	LID SUB-ASSY, FUEL FILLER OPENING		77305-90A01-	1		
8708-9001	FJ62	CUSHION (FOR FUEL INLET BOX COVER)		90541-08003-	2		
8708-9001	FJ62	CAP ASSY, FUEL TANK		77310-12100-	1		
8708-9001	FJ62	GASKET, FUEL TANK CAP		77316-12050-	1		
8708-9001	FJ62	STOPPER, FUEL FILLER OPENING LID		77358-12020-	1		

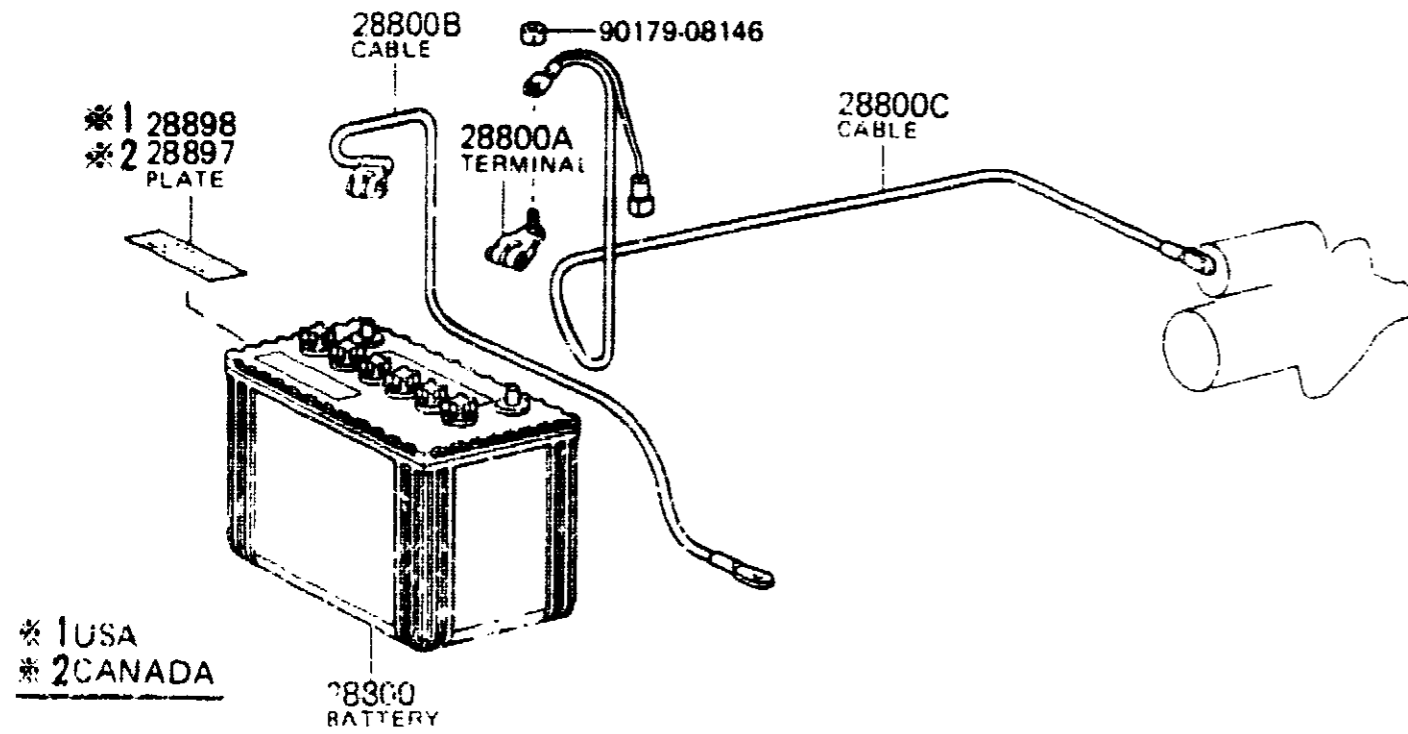
PROD. DATE	MODELS	DESCRIPTION	R / P	PART NUMBER	Q T Y.	REV. REF	
						F	T
8708-9001	FJ62	SPRING, FUEL FILLER OPENING LID HINGE		77366-12010-	1		
8708-9001	FJ62	BAND SUB-ASSY, FUEL TANK, NO.1 RH		77601-60060-	1		
8708-9001	FJ62	LH		77602-60040-	1		
8708-9001	FJ62	CANISTER ASSY, CHARCOAL		77740-60130-	1		
8708-9001	FJ62	TUBE, FUEL, NO.1 (FOR CHARCOAL CANISTER)		77264-60030-	1		
8708-9001	FJ62	BRACKET, CHARCOAL CANISTER BASE		77751-60020-	1		
8708-9001	FJ62	HOSE, CHARCOAL CANISTER RH, L=80		95333-06010-	1		

FIG. 82-01 BATTERY & BATTERY CABLE

3K8

791430M-01338

(8708-)



ME J593-A

PROD. DATE	MODELS	DESCRIPTION	R / P	PART NUMBER	Q T Y.	REV. REF	
						F	T
8708-9001	←-----→ 28800 BATTERY ←-----→ 3FE..FJ62	75D31R-1F		28800-61030-	1		
8708-9001	←-----→ 28800A TERMINAL, BATTERY POSITIVE ←-----→ 3FE..FJ62			90982-05030-	1		
8708-9001	←-----→ 28800B CABLE, BATTERY TO GROUND ←-----→ 3FE..FJ62			90982-02207-	1		
8708-8806	←-----→ 28800C CABLE, BATTERY TO STARTER (FOR BATTERY TO MAIN SWITCH) ←-----→ 3FE..FJ62			90982-01414-	1		002
8806-8808	3FE..FJ62..WGV			⚡	1		002
8806-9001	3FE..FJ62..WGG			82122-90A01-	1		
8708-9001	←-----→ 28897 PLATE, BATTERY CAUTION ←-----→ 3FE..FJ62..CND			28897-38010-	2		
8708-9001	←-----→ 28898 PLATE, BATTERY ←-----→ 3FE..FJ62..USA			28898-26010-	1		

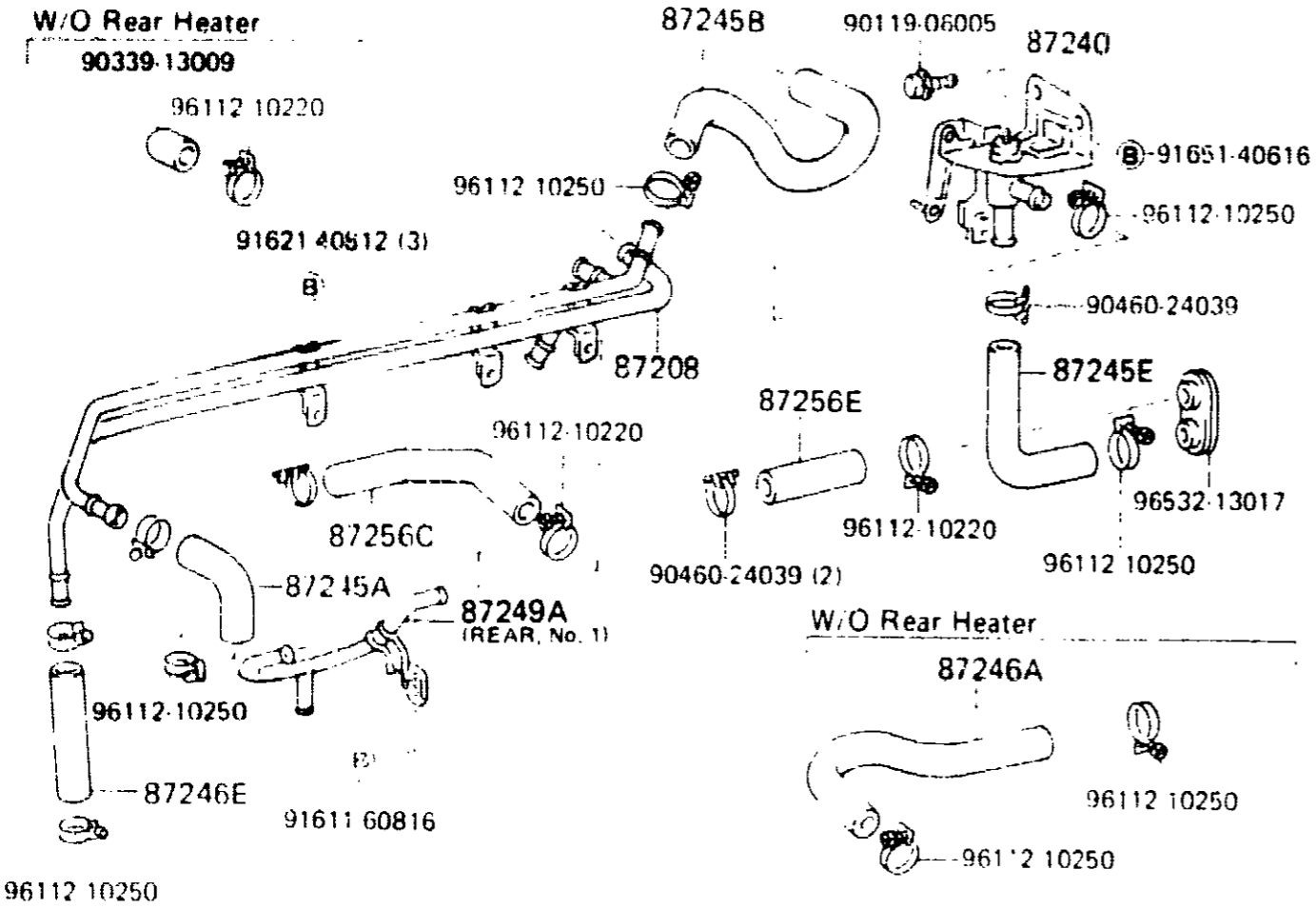
PROD. DATE	MODELS	DESCRIPTION	R / P	PART NUMBER	Q T Y.	REV. REF	
						F	T
8708-9001	FJ62	RELAY, COOLING FAN NO.1		85927-60040-	1		
8708-9001	FJ62	RELAY, COOLING FAN NO.2		90987-C2004-	1		
8708-9001	FJ62	RELAY ASSY, POWER WINDOW		85930-90A00-	1		
8708-9001	FJ62	RELAY ASSY, WINDSHIELD WIPER NO.1		85940-90A09-	1		
8708-9001	FJ62	RELAY ASSY, WINDSHIELD WIPER NO.3		85940-90A10-	1		
8708-9001	FJ62	RELAY ASSY, DOOR CONTROL		88630-14010-	2		
8708-9001	FJ62	RELAY, SEAT BELT WARNING		85991-22020-	1		
8708-9001	FJ62	BRACKET, RELAY, NO.2		85399-12050-	1		
8708-9001	FJ62	COOLING FAN RELAY		85995-89101-	1		
8708-9001	FJ62..USA	SENSOR, E.G.R GAS TEMPERATURE CARIFORNIA SPEC		89412-12010-	1		
8708-9001	FJ62	SENSOR, MANIFOLD TEMPERATURE		89423-60020-	1		
8708-9001	FJ62	SWITCH, TEMPERATURE DETECT, NO.2		89428-36010-	1		

PROD. DATE	MODELS	DESCRIPTION	R / P	PART NUMBER	Q T Y.	REV. REF	
						F	T
8708-9001	FJ62	COVER, SENSOR		89437-60010-	2		
8708-9001	FJ62	SENSOR, OXYGEN		89465-59015-	2		
A 8708-8810	FJ62	GASKET, OXYGEN SENSOR		# 89466-30010- (89466-20020-)	2		
A 8810-9001	FJ62..WGG			89466-20020-	2		
A 8810-9001	FJ62..WGV			# 89466-30010- (89466-20020-)	2		
8708-9001	FJ62	COMPUTER ASSY, TRANSMISSION CONTROL		89530-60020-	1		
8708-9001	FJ62	IGNITER ASSY		89620-14410-	1		

PROD. DATE	MODELS	DESCRIPTION	R / P	PART NUMBER	Q T Y.	REV. REF	
						F	T
	86011C	FILTER, NOISE					
S 8708-9001	FJ62	WIPER		90980-05022-	1		
S 8708-9001	FJ62	STOP SWITCH		90980-05067-	1		
S 8708-9001	FJ62	OIL PRESSURE		90980-05106-	1		
S 8708-9001	FJ62	VOLTAGE REGULATOR		90980-05110-	1		
N 8708-9001	FJ62	HEATER		90980-05127-	1		
	86120	RECEIVER ASSY, RADIC					
8708-8808	FJ62..USA	AM/FM MPX ETR 1DIN GEN		86120-20680-	1	002	
8708-8808	FJ62	AM/FM MPX ETR CASS ETTE 2DIN		86120-32130-	1	002	
8708-8808	FJ62	AM/FM MPX ETR 1DIN		86120-32211-	1	002	
8708-8808	FJ62	AM/FM MPX ETR CASS ETTE A.F. 2DIN		86120-90A18-	1	002	
8808-9001	FJ62..WGG	AM/FM MPX ETR 1DIN		86120-32340-	1	003	
8808-9001	FJ62..WGG	AM/FM MPX ETR CASS ETTE 2DIN		86120-32370-	1	003	
8808-9001	FJ62..WGG..USA	AM/FM MPX ETR 1DIN GEN		86120-32390-	1	003	
	86128	KNOB RADIO RECEIVER					
8708-8808	FJ62..USA	PWR/VOL (RADIO P/NO .86120-20680)		86128-20020-	1		
8708-8808	FJ62..USA	FADER, BAL, TREB, BASS (RADIO P/NO.86120-20680)		86128-20040-	4		
A 8708-8808	FJ62	PWR/VOL (RADIO P/NO .86120-32130, 86120-90A18)		86128-22690-	1	002	
A 8708-8808	FJ62	TREB FADE, BASS/BAL (RADIO P/NO.86120-32130, 86120-90A18)		86128-22710-	2	002	

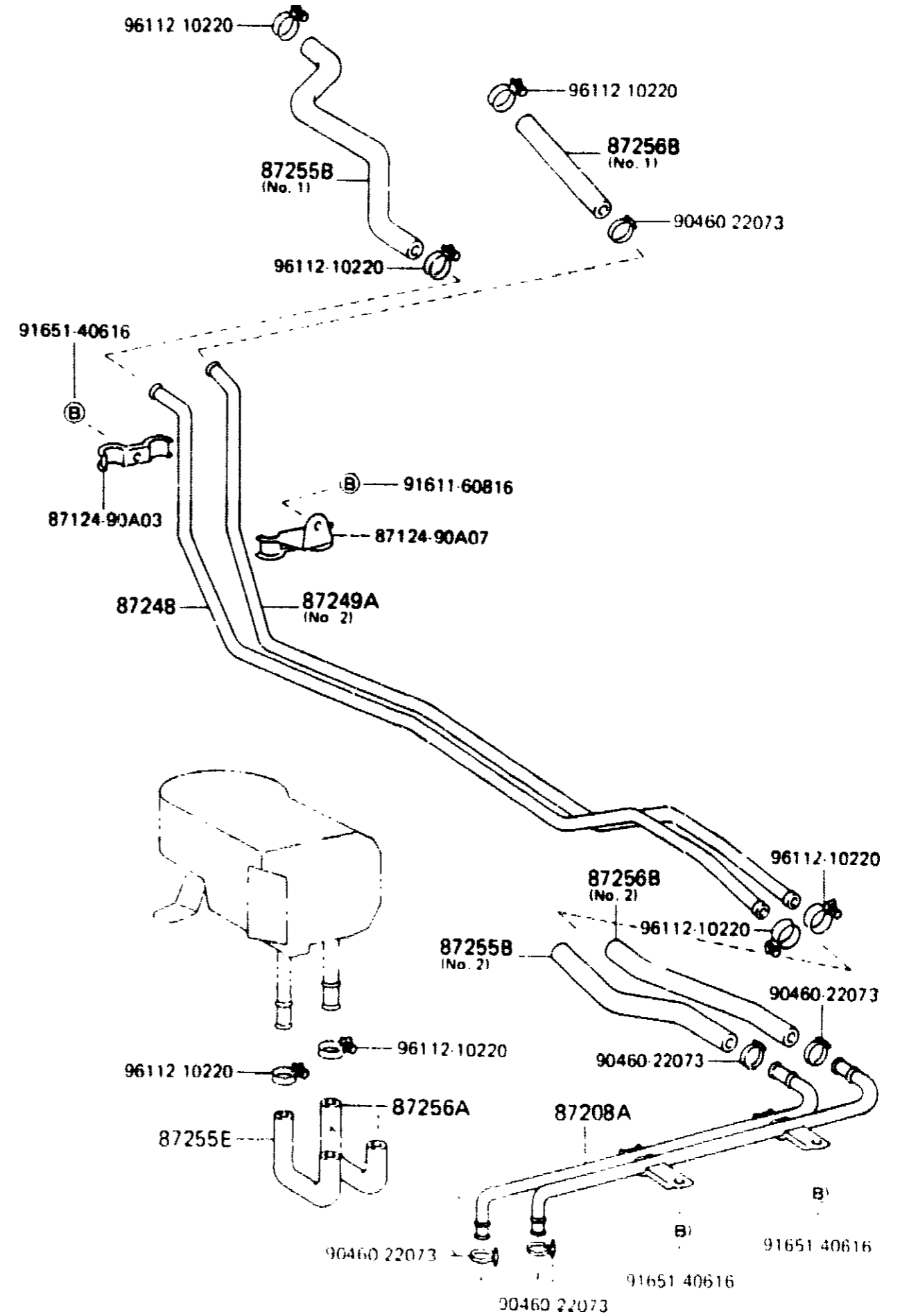
PROD. DATE	MODELS	DESCRIPTION	R / P	PART NUMBER	Q T Y.	REV. REF	
						F	T
	86128	KNOB RADIO RECEIVER					
8708-8808	FJ62	PWR/VOL (RADIO P/NO .86120-32211)		86128-32190-	1		
B 8708-8808	FJ62	TREB/FADE, BASS/BAL (RADIO P/NO.86120-32211)		86128-32210-	2		
8808-9001	FJ62..WGG	PWR/VOL (RADIO P/NO .86120-32340, 86120-32370)		86128-17150-	1		
B 8808-9001	FJ62..WGG	TREB/FADE, BASS/BAL (RADIO P/NO.86120-32340, 86120-32370)		86128-17190-	2		
S 8808-	FJ62..WGG..USA	PWR/VOL (RADIO P/NO .86120-32390)		86128-28140-	1		
S 8808-	FJ62..WGG..USA	TREB/FADE, BASS/BAL (RADIO P/NO.86120-32390)		86128-28160-	2		
	86211	BRACKET, RADIO, NO.1					
8708-9001	FJ62			86211-90A06-	1		
	86212	BRACKET, RADIO, NO.2					
8708-9001	FJ62			86212-90A03-	1		
	86260	TAPE PLAYER ASSY					
8708-8808	FJ62..USA	AM/FM ETR RADIO & W(4SP)		86260-30250-	1	002	
8708-9001	FJ62			86260-20170-	1		
8808-9001	FJ62..WGG..USA	AM/FM ETR RADIO & W(4SP)		86260-12180-	1	003	

(8708-)

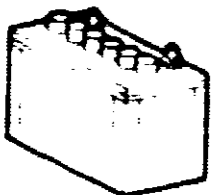
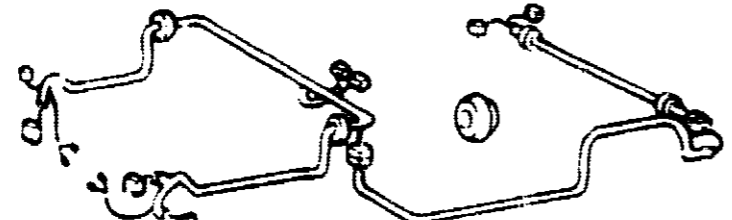
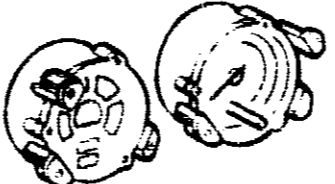
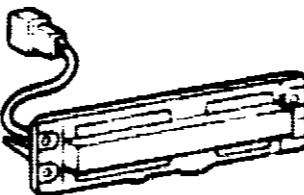
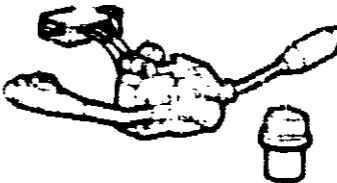
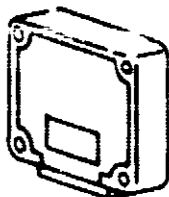


ME J699-D

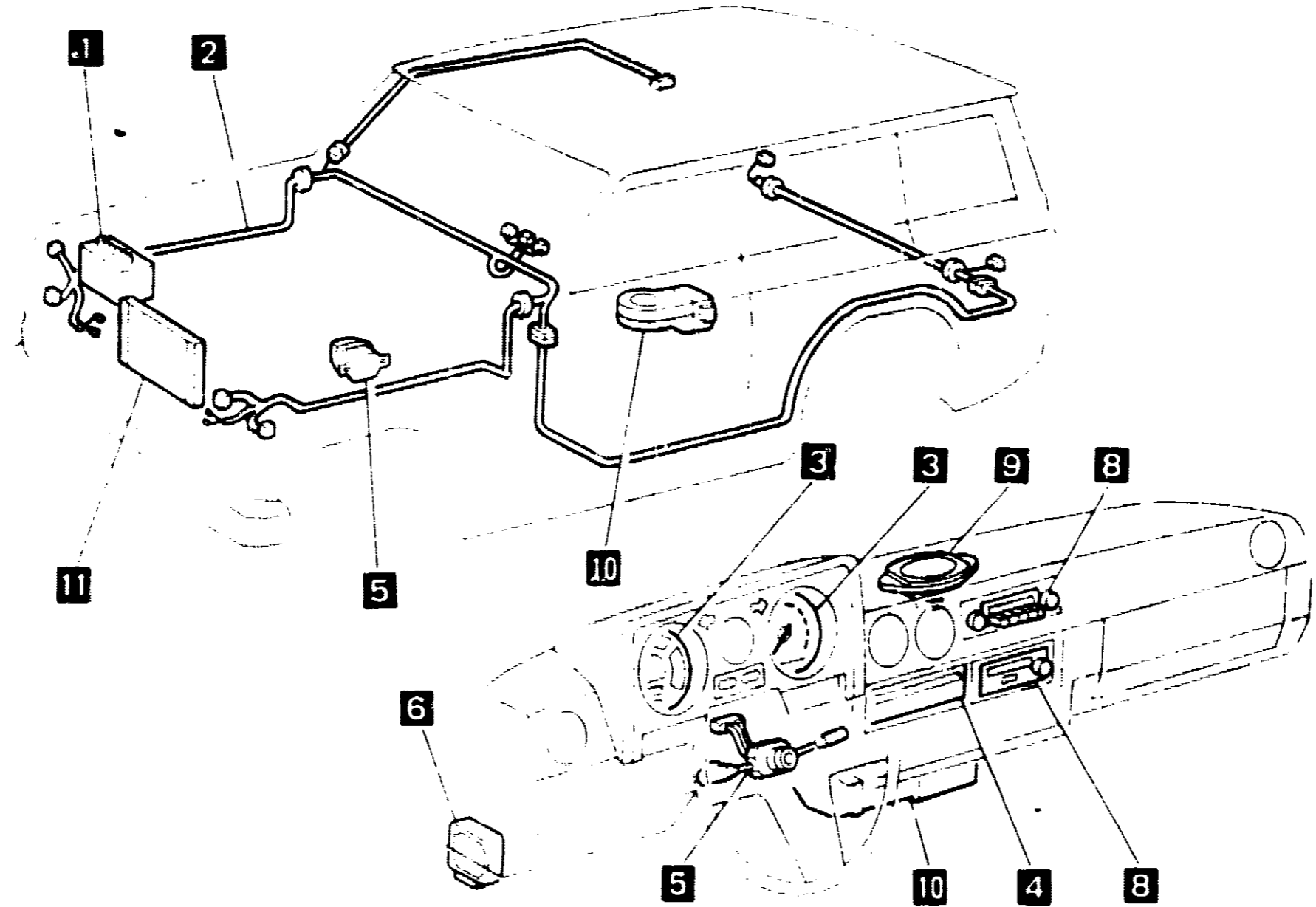
(8708-)
REAR WATER PIPING

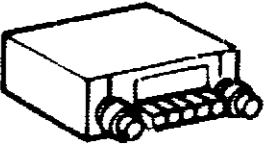
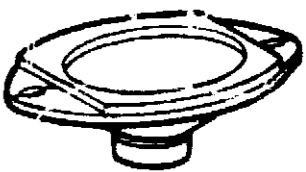


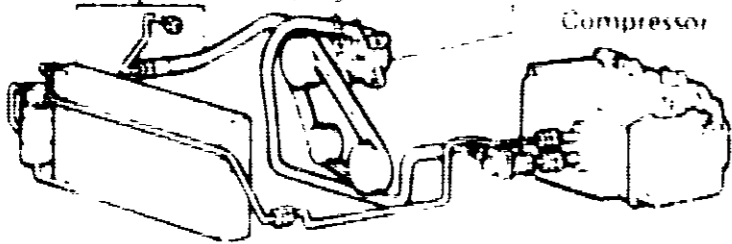

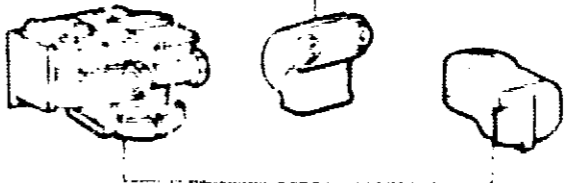
ME J702 C

<p>3K8 (82-01) 1</p>  <p>Battery & Cable</p>	<p>3L8 (82-02) 2</p>  <p>Wiring & Clamp</p>	<p>3G9 (83-01) 3</p>  <p>Meter</p>	<p>3E9 (83-02) 4</p>  <p>Indicator</p>	<p>3F9 (84-01) 5</p>  <p>Switch & Relay</p>	<p>3L9 (84-04) 6</p>  <p>EFI</p>
--	--	--	--	---	--

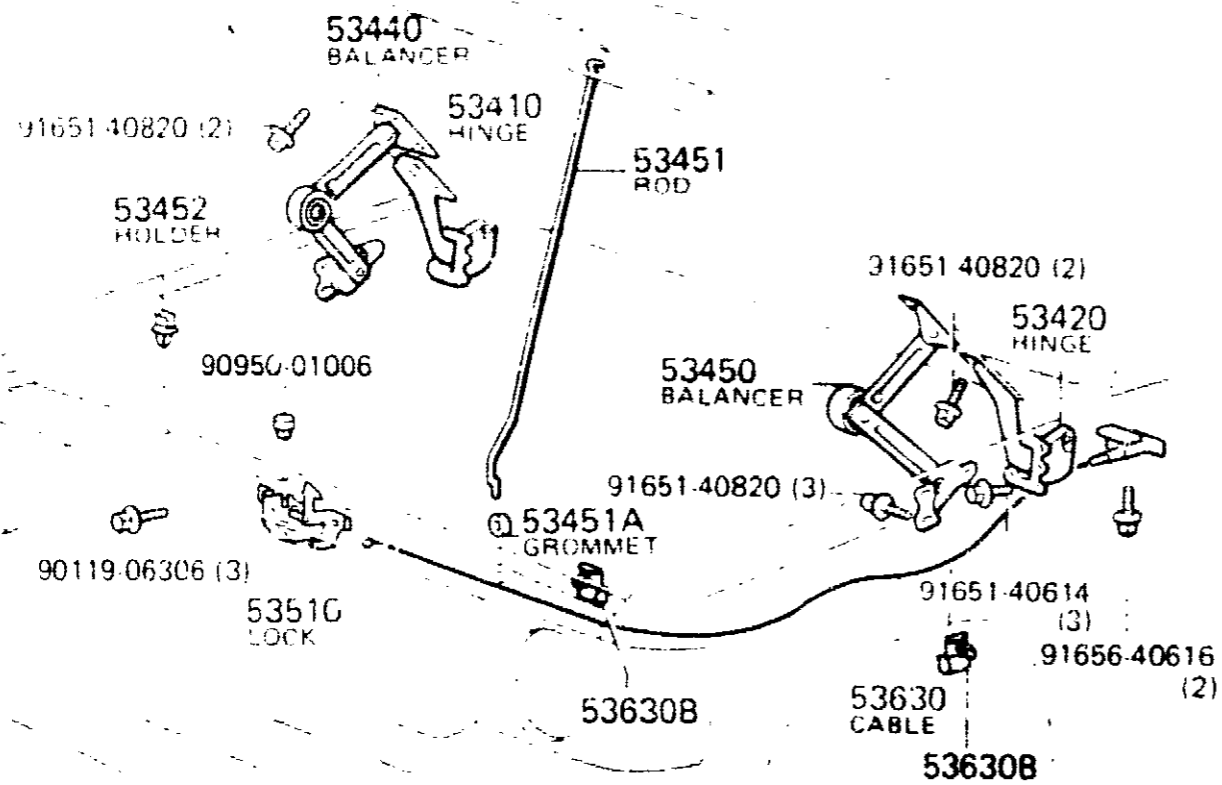
ELECTRICAL GROUP (2/2)



<p>3J10 (86-01) 8</p>  <p>Radio & Tape Player</p>
<p>3L10 (86-02) 9</p>  <p>Speaker</p>

<p>3M11 (87-18) Piping</p> 	<p>3A12 (87-19) Compressor</p>	<p>11 3K11 (87-16) Piping</p> 	<p>3I11 (87-15) Duct</p>  <p>3L11 (87-12) Unit</p>
--	--------------------------------	--	---

(8708-

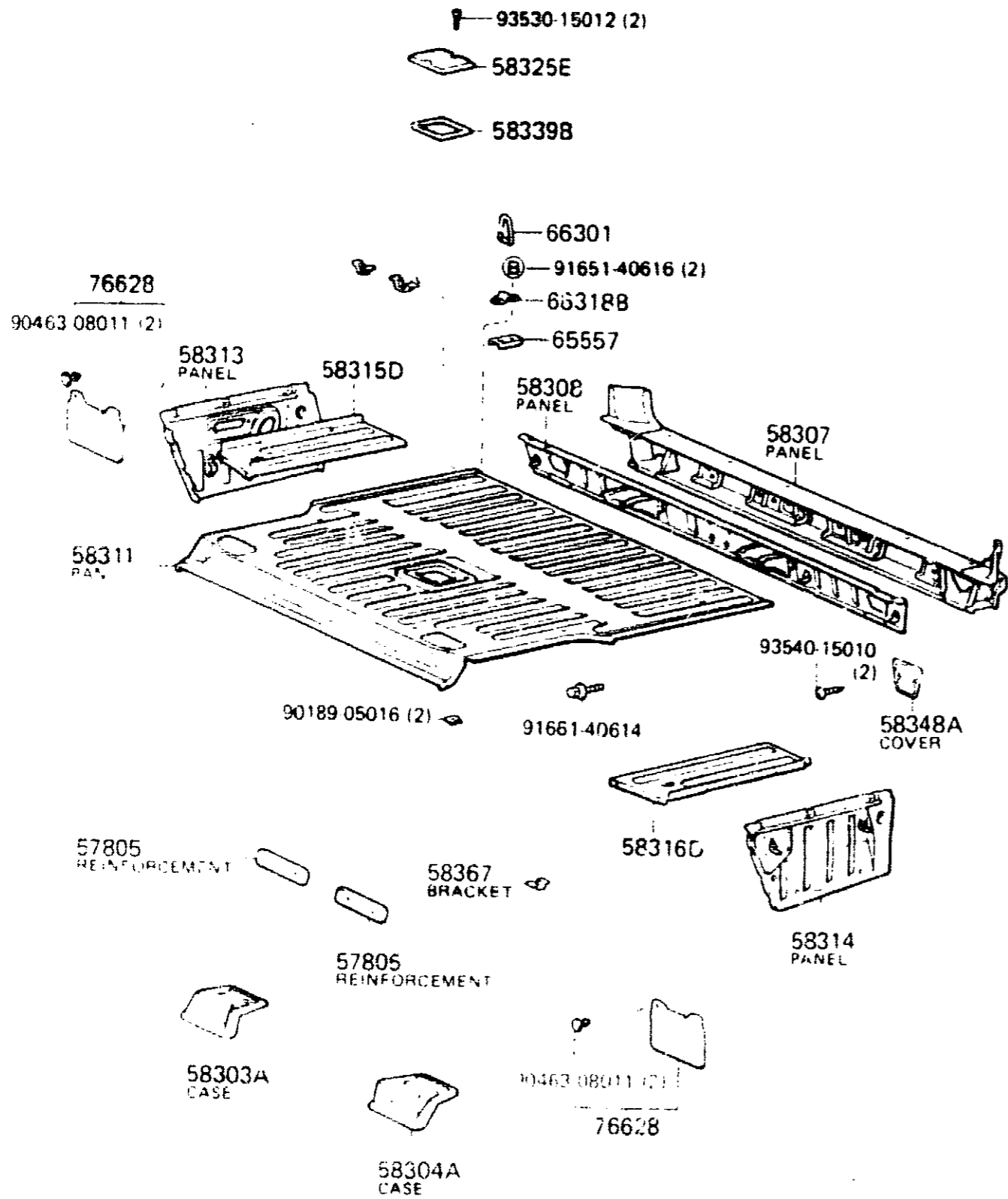


MB L996

PROD. DATE	MODELS	DESCRIPTION	R / P	PART NUMBER	Q T	REV. REF		
						Y.	F	T
8708-9001	FJ62	HINGE ASSY, HOOD, RH		53410-90A01-	1			
8708-9001	FJ62	HINGE ASSY, HOOD, LH		53420-90A01-	1			
8708-9001	FJ62	BALANCER ASSY, HOOD, RH		53440-90A00-	1			
8708-9001	FJ62	BALANCER ASSY, HOOD, LH		53450-90A00-	1			
8708-9001	FJ62	ROD, HOOD SUPPORT		53451-90A00-	1			
8708-9001	FJ62	GROMMET (FOR HOOD SUPPORT ROD)		90480-15002-	1			
8708-9001	FJ62	HOLDER, HOOD STAY		53452-90351-	1			
8708-9001	FJ62	LOCK ASSY, HOOD		53510-90A02-	1			
8708-9001	FJ62	CABLE ASSY, HOOD LOCK CONTROL		53630-90A01-	1			
8708-9001	FJ62	CLAMP (FOR HOOD LOCK CONTROL CABLE)		69743-12010-	1			

(8708-)

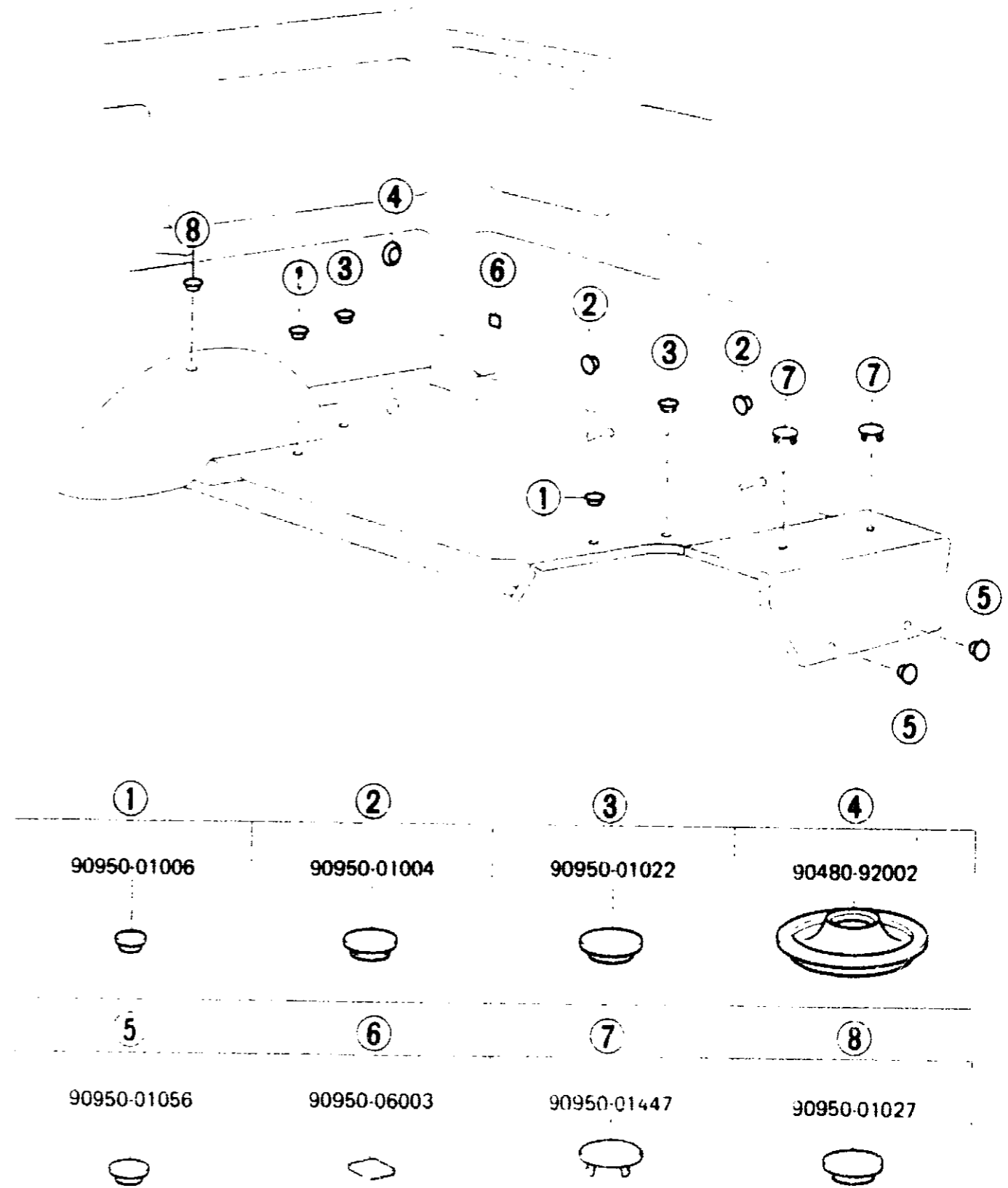
ILLUST. NO. 1 OF 2



MB L907 A

(8708-)

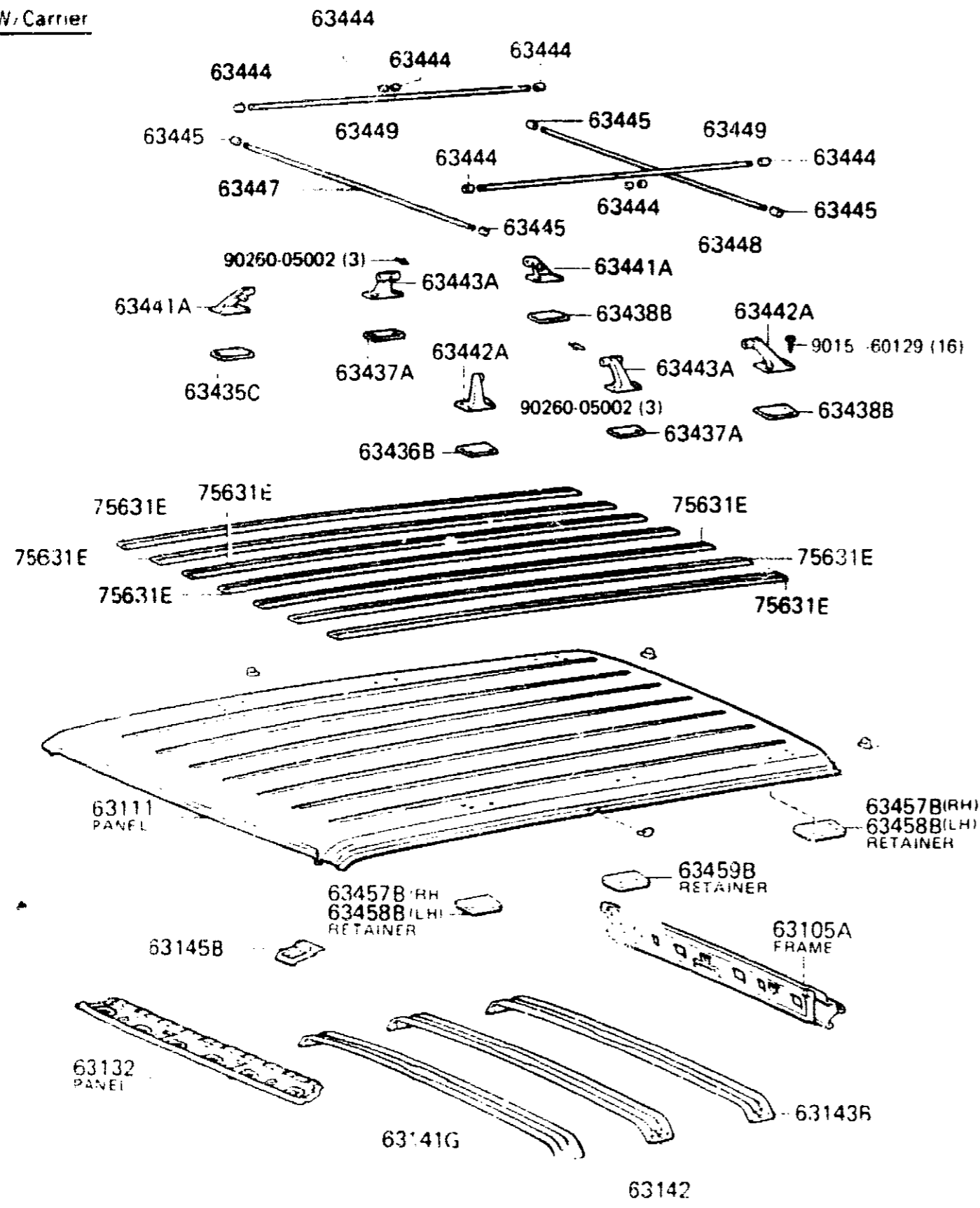
ILLUST. NO. 2 OF 2



MB C465 C

(8708-)

W/Carrier



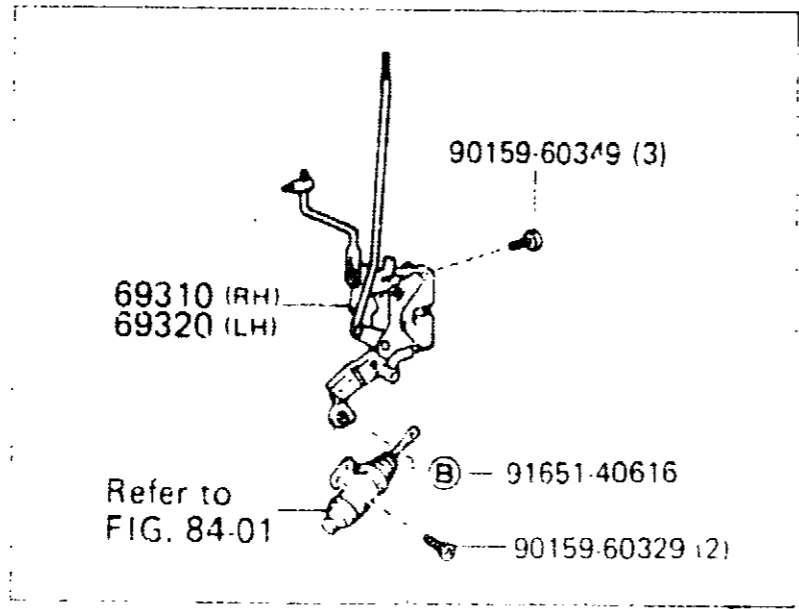
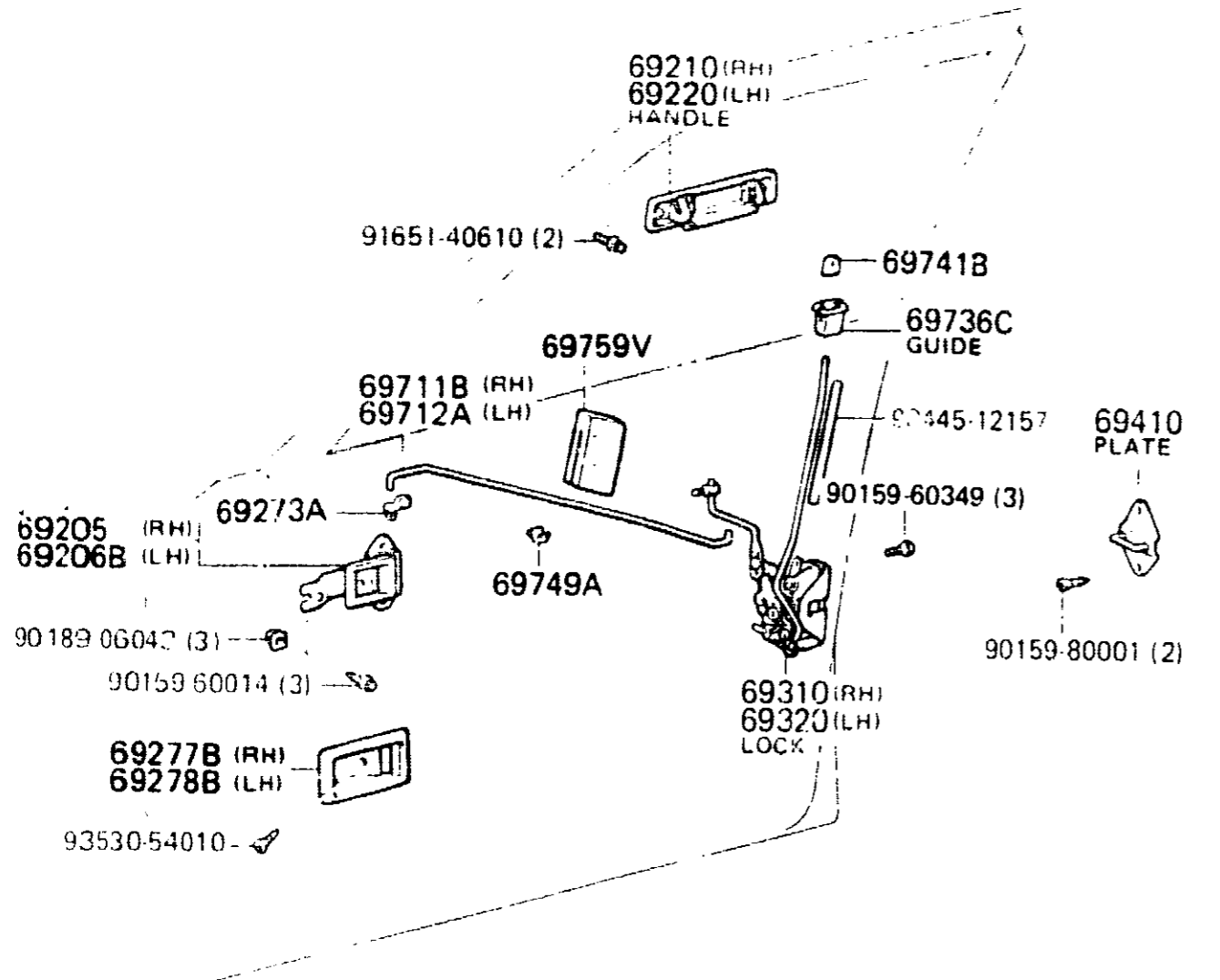
PROD. DATE	MODELS	DESCRIPTION	R / P	PART NUMBER	Q T Y.	REV. REF	
						F	T
8708-9001	FJ62	63105A FRAME SUB-ASSY, BACK DOOR OPENING		63105-90A00-	1		
8708-9001	FJ62	63111 PANEL, ROOF		63111-90A00-	1		
8708-9001	FJ62..CND	W(ROOF CARRIER)		63111-90A01-	1		
8708-9001	FJ62	63132 PANEL, WINDSHIELD HEADER, INNER		63132-90A00-	1		
8708-9001	FJ62	63141G REINFORCEMENT, ROOF PANEL, NO.1		63141-90A00-	1		
8708-9001	FJ62	63142 REINFORCEMENT, ROOF PANEL, NO.2		63141-90A00-	1		
8708-9001	FJ62..CND	63143B REINFORCEMENT, ROOF PANEL, NO.3		63141-90A00-	1		
8708-9001	FJ62	63145B REINFORCEMENT, WINDSHIELD HEADER PANEL		63145-90A00-	1		
8708-9001	FJ62..CND	63435C SEAL, ROOF CARRIER, NO.1 RH		63435-90A00-	1		
8708-9001	FJ62..CND	63436B SEAL, ROOF CARRIER, NO.1 LH		63436-90A00-	1		
8708-9001	FJ62..CND	63437A SEAL, ROOF CARRIER, NO.2		63437-90A00-	2		

43249 11-010-11

MB L941 A

MB L941 A

(8708-)



MB L948 B

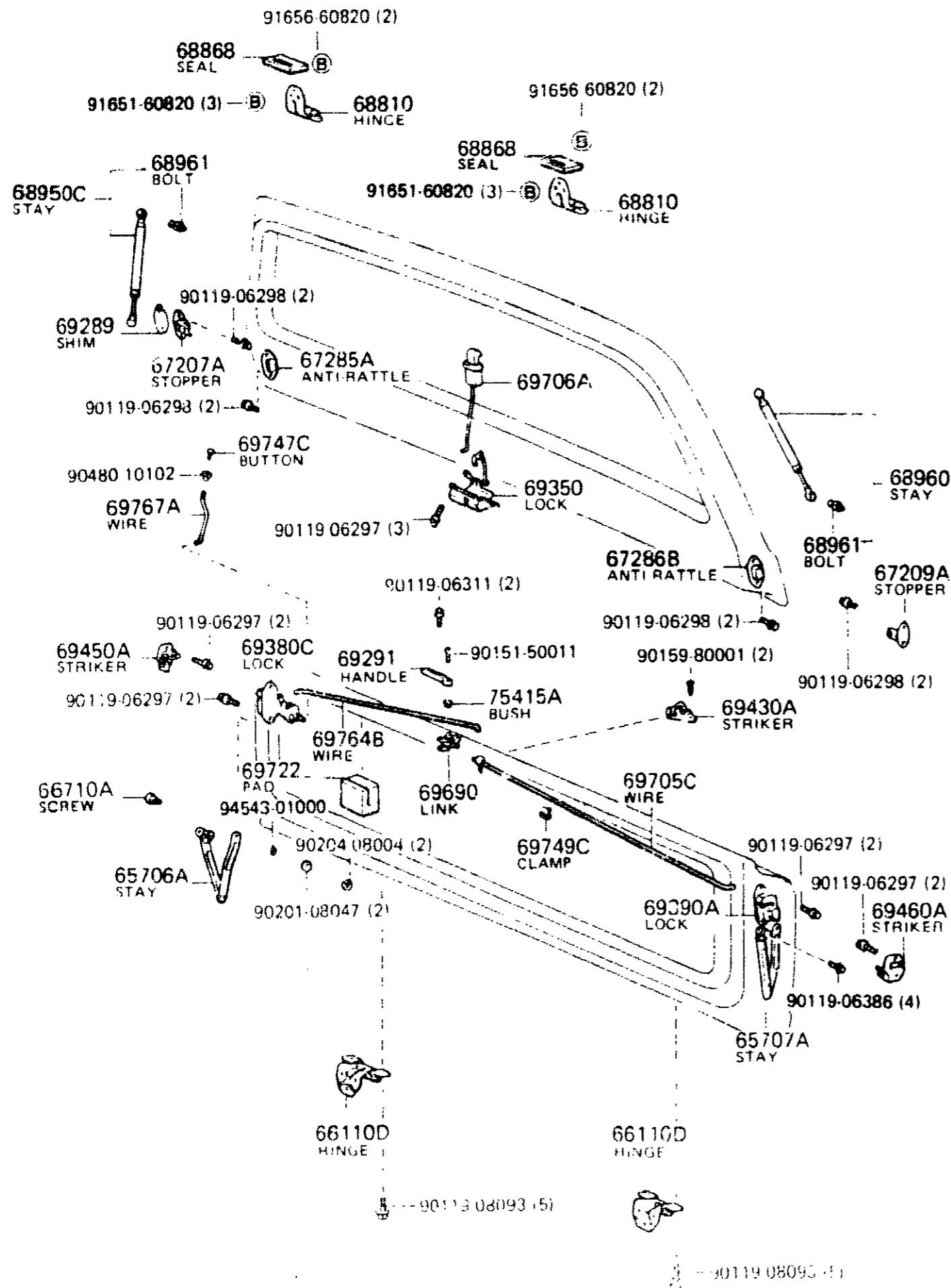
PROD. DATE	MODELS	DESCRIPTION	R / P	PART NUMBER	Q T Y.	REV. REF	
						F	T
8708-9001	FJ62	HANDLE SUB-ASSY, FRONT DOOR INSIDE, RH		69205-20020-	1		
8708-9001	FJ62	HANDLE SUB-ASSY, FRONT DOOR INSIDE, LH		69206-20020-	1		
8708-9001	FJ62	HANDLE ASSY, FRONT DOOR, OUTSIDE RH		69210-90A00-	1		
8708-9001	FJ62	HANDLE ASSY, FRONT DOOR, OUTSIDE LH		69220-90A00-	1		
8708-9001	FJ62	SNAP, DOOR INSIDE HANDLE ROD (FOR FRONT DOOR)		69273-30020-	2		
P 8708-9001	FJ62	BEZEL, FRONT DOOR INSIDE HANDLE, RH		69277-16040-23	1		
P 8708-9001	FJ62	SEPIA BROWN (TRIM4)		69277-16040-36	1		
P 8708-9001	FJ62	BEZEL, FRONT DOOR INSIDE HANDLE, LH		69277-16040-23	1		
P 8708-9001	FJ62	SEPIA BROWN (TRIM4)		69277-16040-36	1		
8708-9001	FJ62	LOCK ASSY, FRONT DOOR, RH		69310-90A02-	1		
8708-9001	FJ62	W (POWER WINDOW)		69310-90A03-	1		
8708-9001	FJ62	LOCK ASSY, FRONT DOOR, LH		69320-90A02-	1		
8708-9001	FJ62	W (POWER WINDOW)		69320-90A03-	1		

FIG. 67-62 BACK DOOR LOCK & HINGE

3L5

791430M-01300

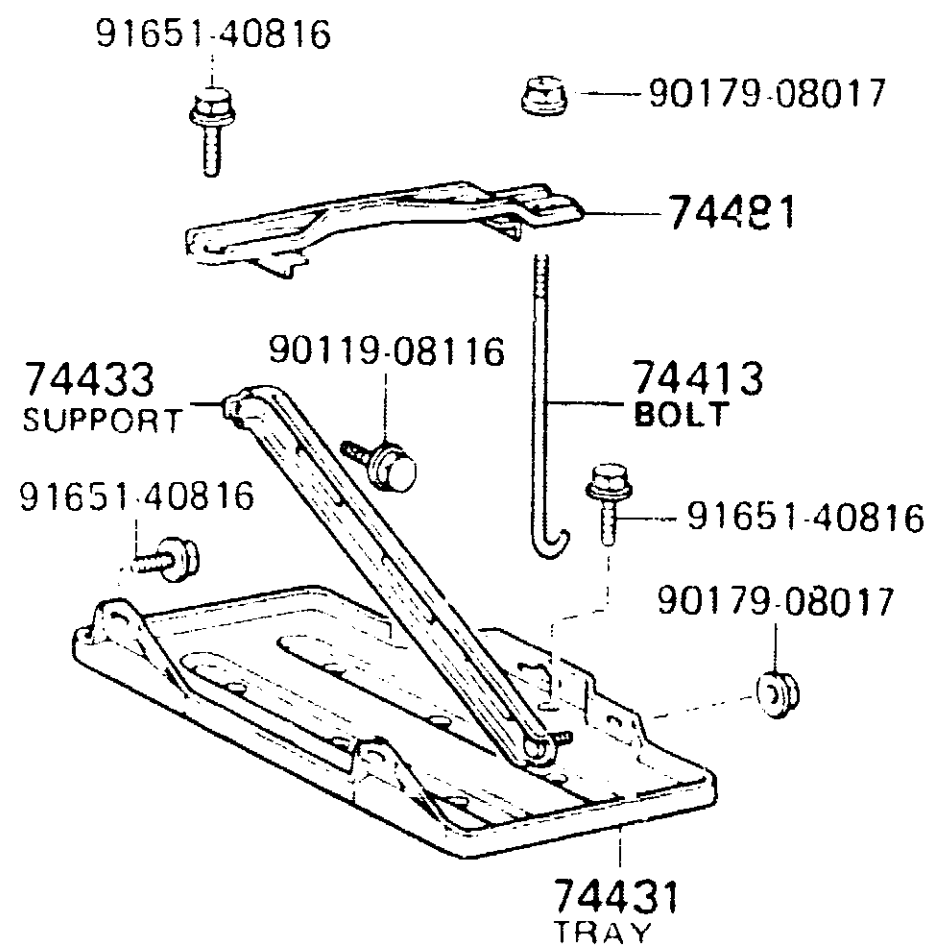
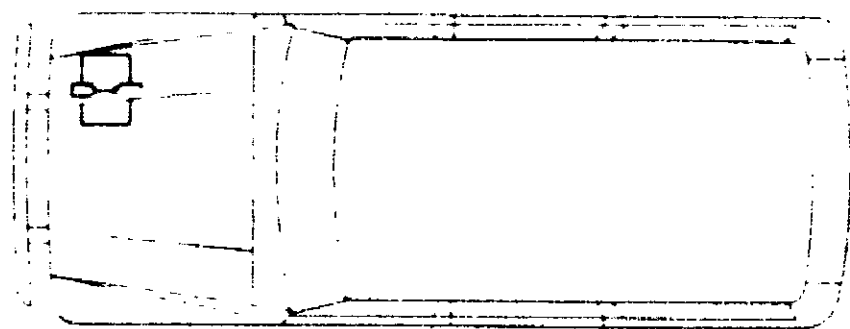
(8708--)



MB L962-C

PROD. DATE	MODELS	DESCRIPTION	R / P	PART NUMBER	QTY.	REV. REF	
						F	T
8708-9001	FJ62	65706A STAY SUB-ASSY, TAIL G.ATE, RH		65706-90A00-	1		
8708-9001	FJ62	65707A STAY SUB-ASSY, TAIL GATE, LH		65707-90A00-	1		
8708-9001	FJ62	66110D HINGE ASSY, TAIL GATE		66110-90A00-	2		
8708-9001	FJ62	66710A SCREW, TAIL GATE ASSY		65777-90A00-	2		
8708-9001	FJ62	67207A STOPPER SUB-ASSY, BACK DOOR, RH		67207-90A00-	1		
8708-9001	FJ62	67209A STOPPER SUB-ASSY, BACK DOOR, LH		67209-90A00-	1		
8708-9001	FJ62	67285A ANTI-RATTLE, BACK DOOR, RH		67285-90A00-	1		
8708-9001	FJ62	67286B ANTI-RATTLE, BACK DOOR, LH		67286-90A00-	1		
8708-9001	FJ62	68810 HINGE ASSY, BACK DOOR, UPPER		68810-90A00-	2		
8708-9001	FJ62	68868 SEAL, BACK DOOR HINGE		68868-90A00-	2		

(8708-)

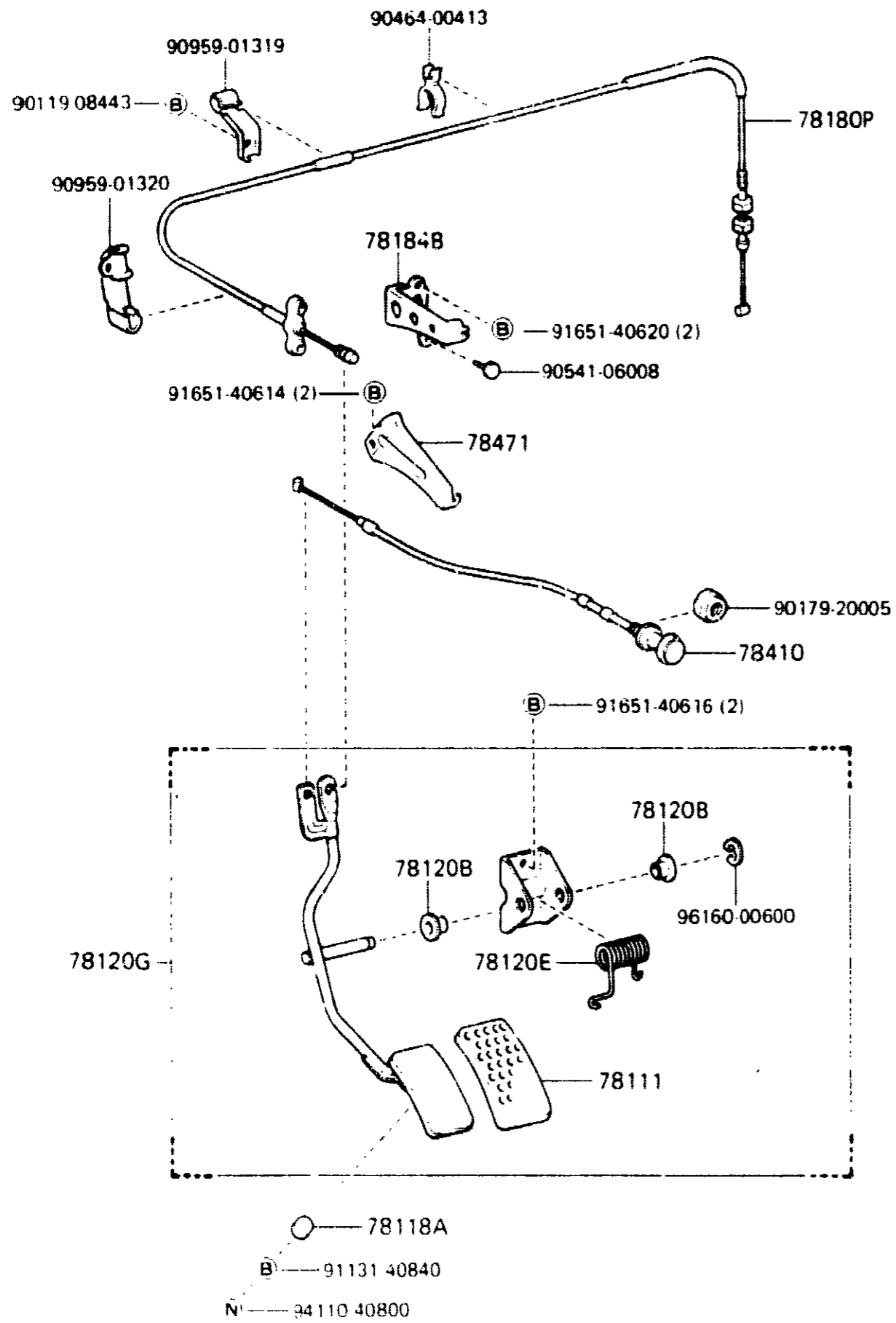


MB M068

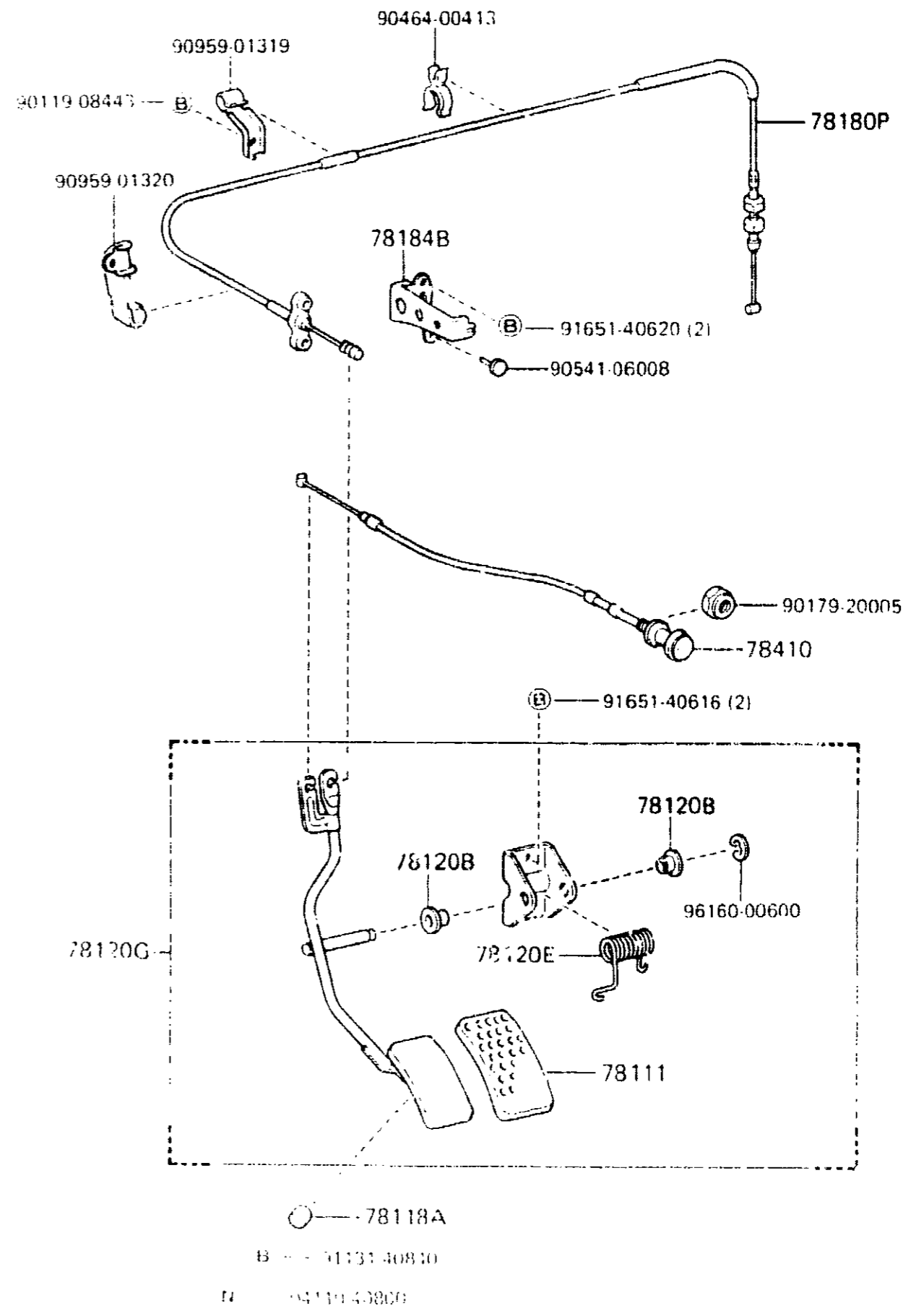
PROD. DATE	MODELS	DESCRIPTION	R / P	PART NUMBER	Q T Y.	REV.
						F
8708-9001	FJ62	1 74413 BOLT, BATTERY CLAMP		74451-90A00-	1	
8708-9001	FJ62	1 74431 TRAY, BATTERY		74431-90A00-	1	
8708-9001	FJ62	1 74433 SUPPORT, BATTERY TRAY, RH		74433-90A00-	1	
8708-9001	FJ62	1 74481 CLAMP, BATTERY HOLD DOWN		74404-90A00-	1	

(B708-)

(8808-)FJ62



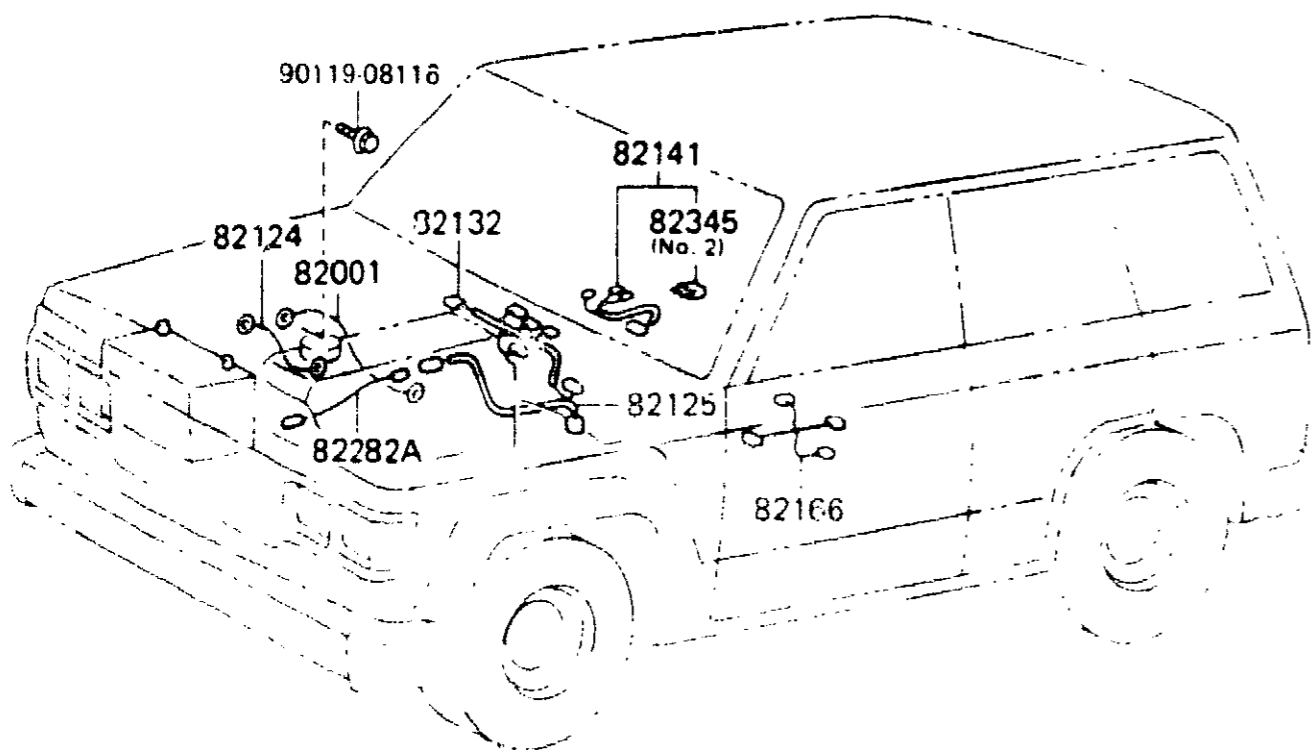
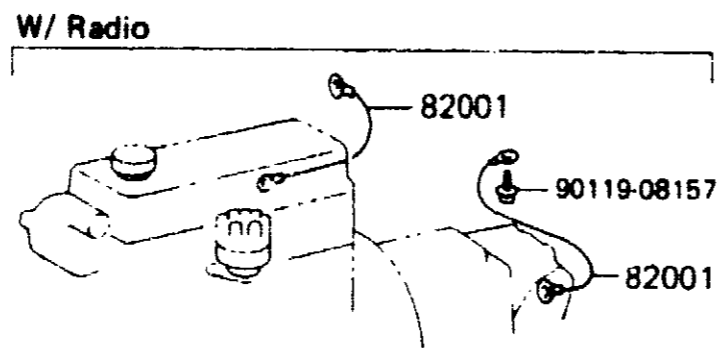
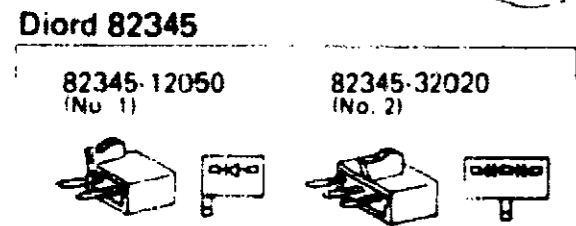
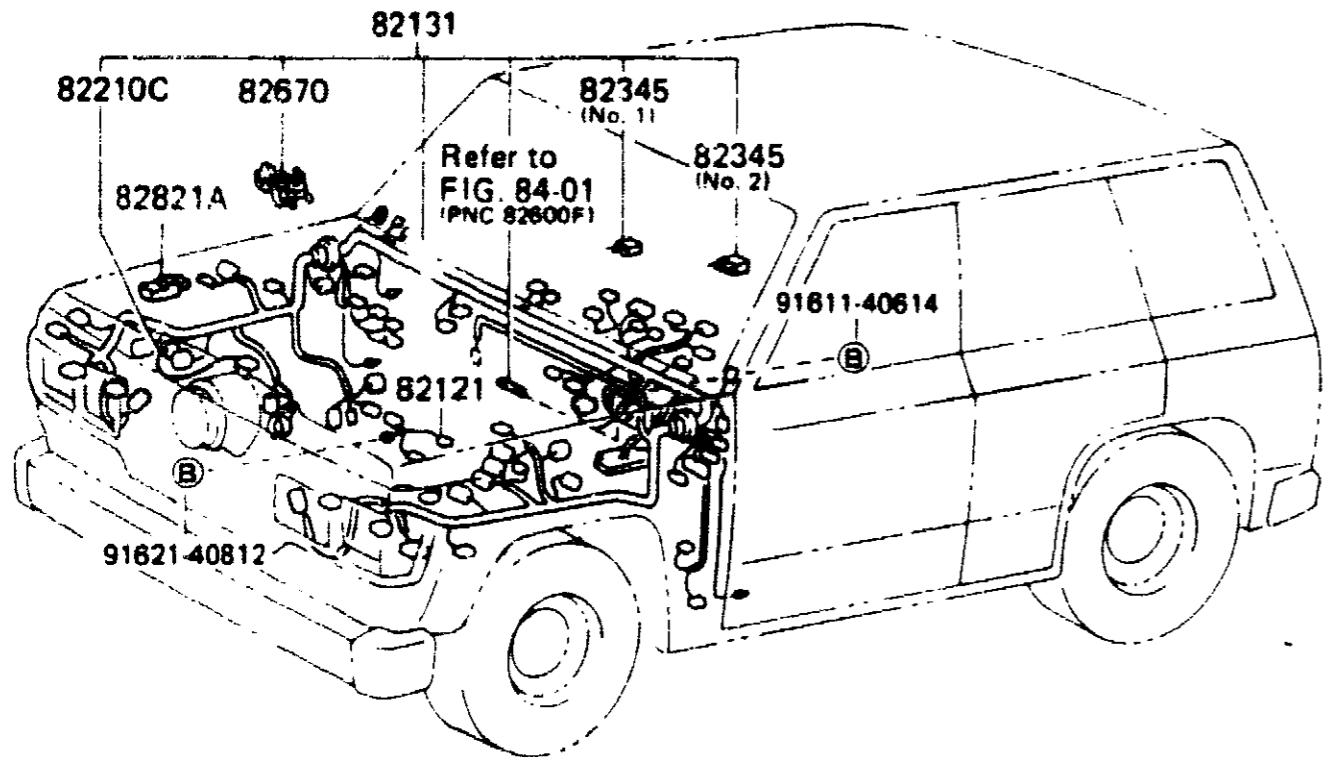
MB L842



MB R068

(8708-)

ILLUST. NO. 1 OF 3

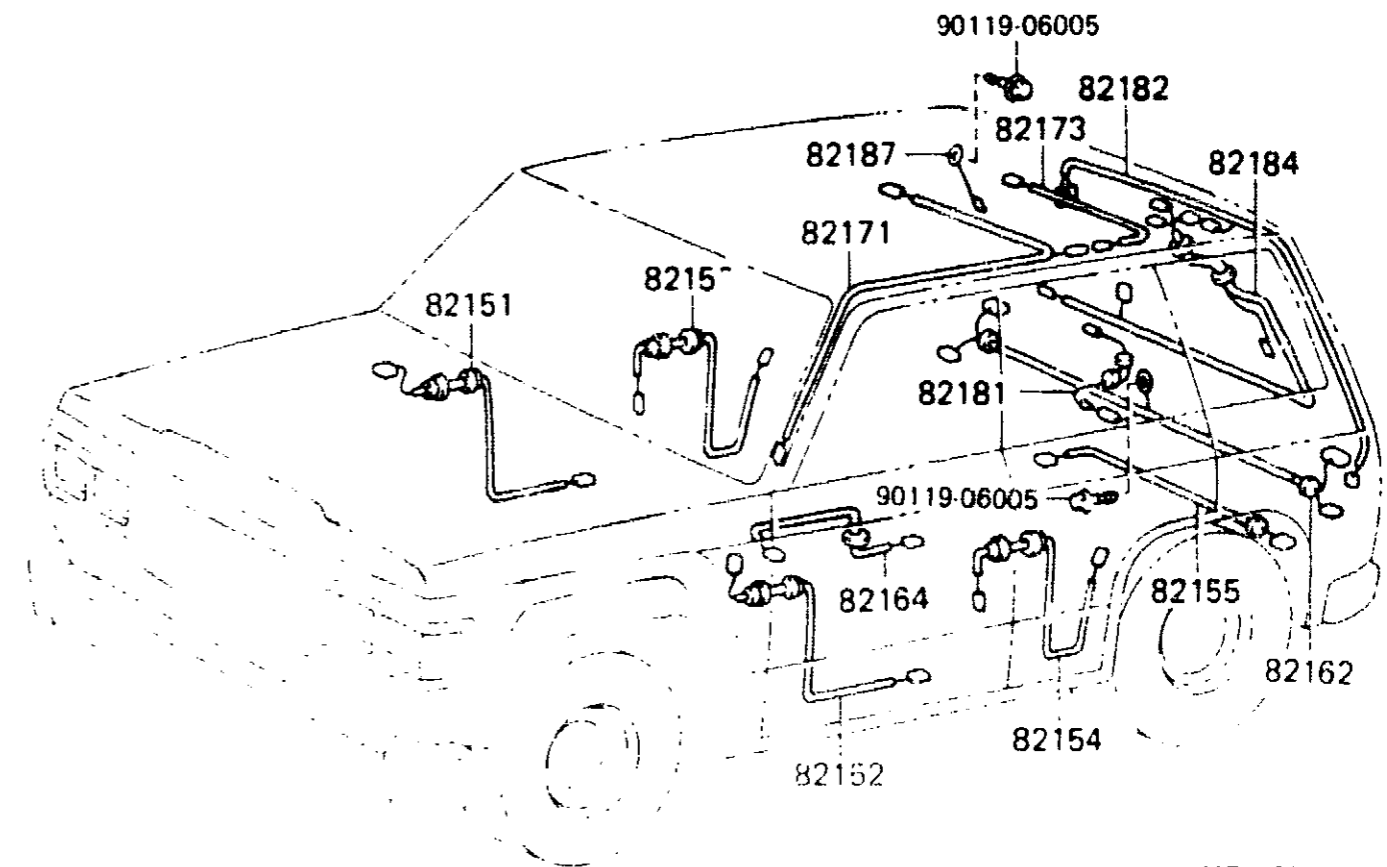
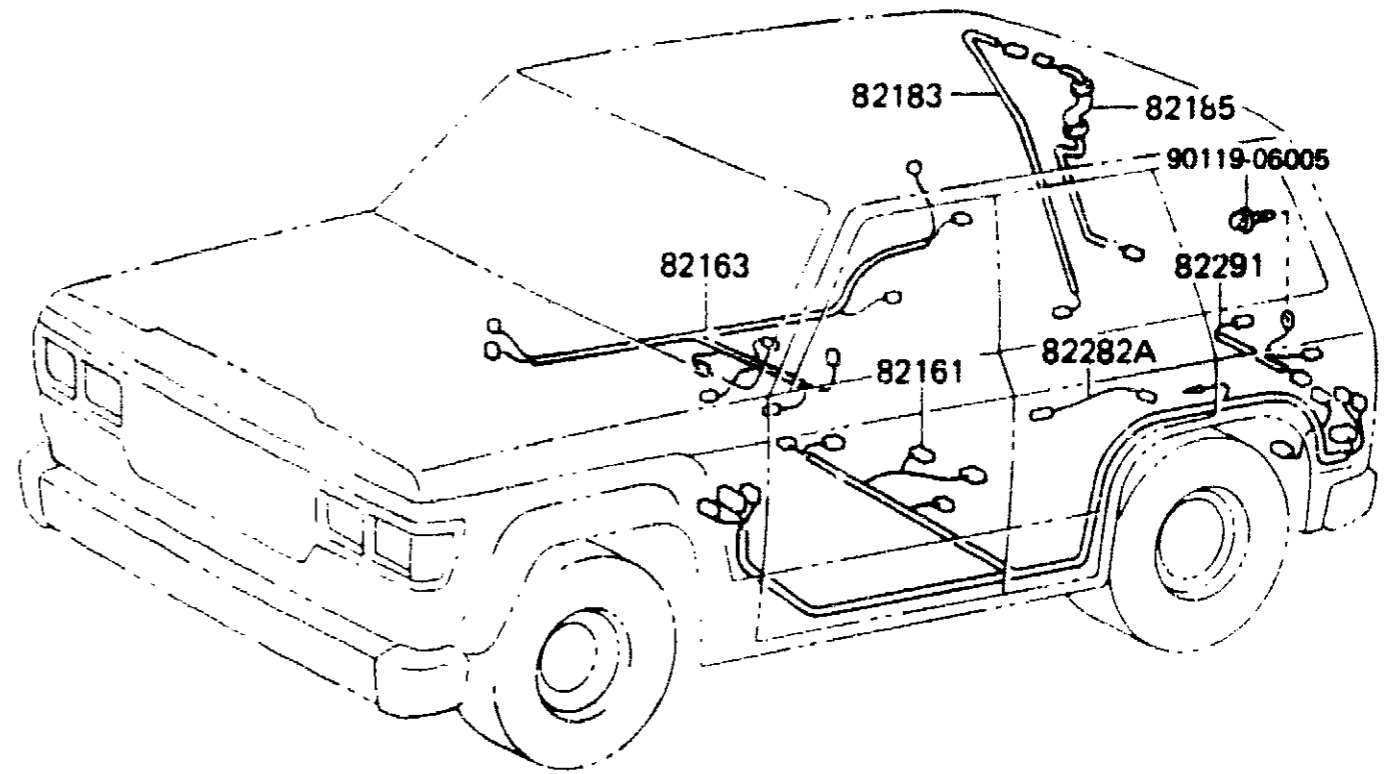


ME J604-A

MEJ604A

(8708-)

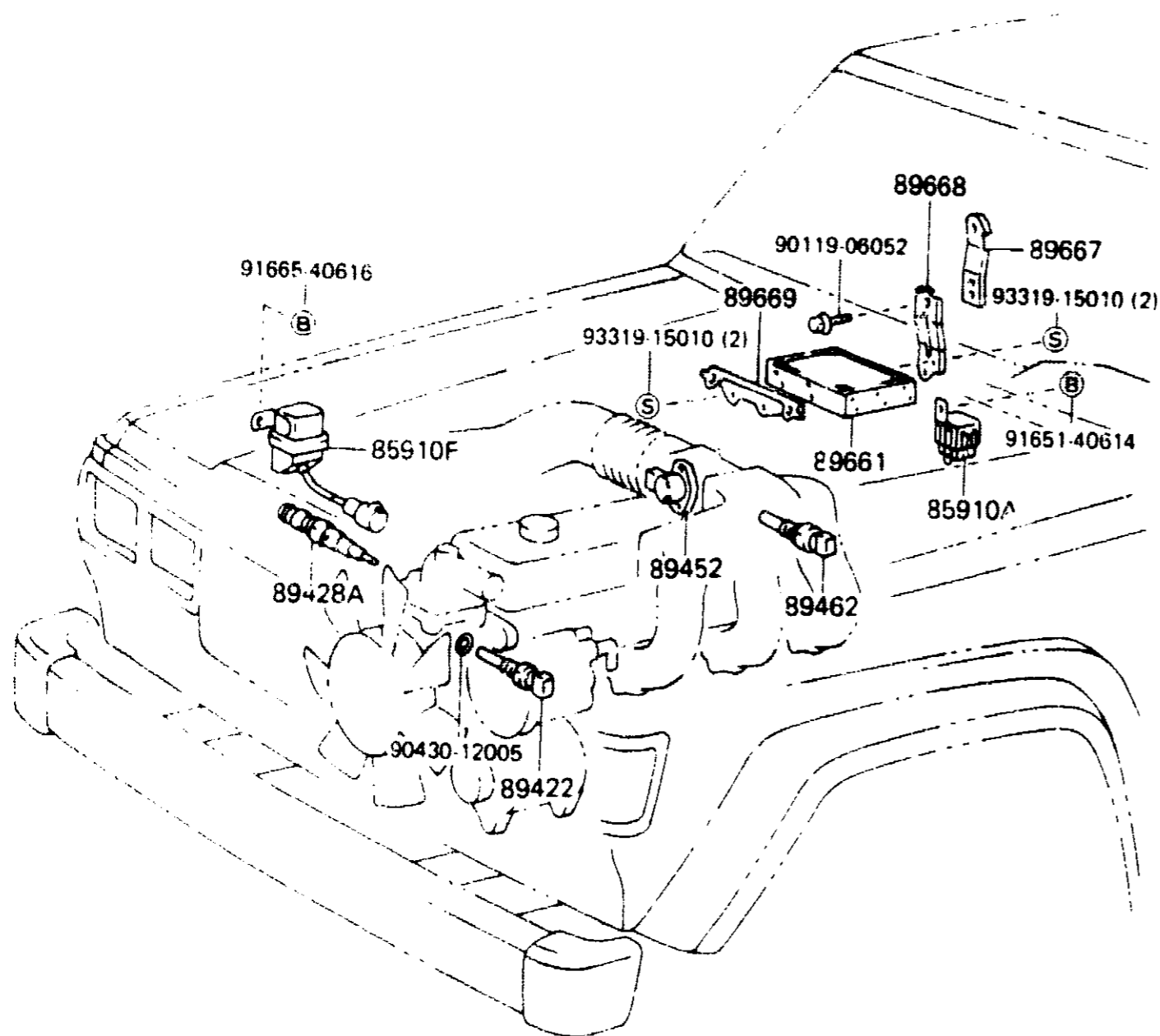
ILLUST. NO. 2 OF 3



ME J605 A

ME J605A

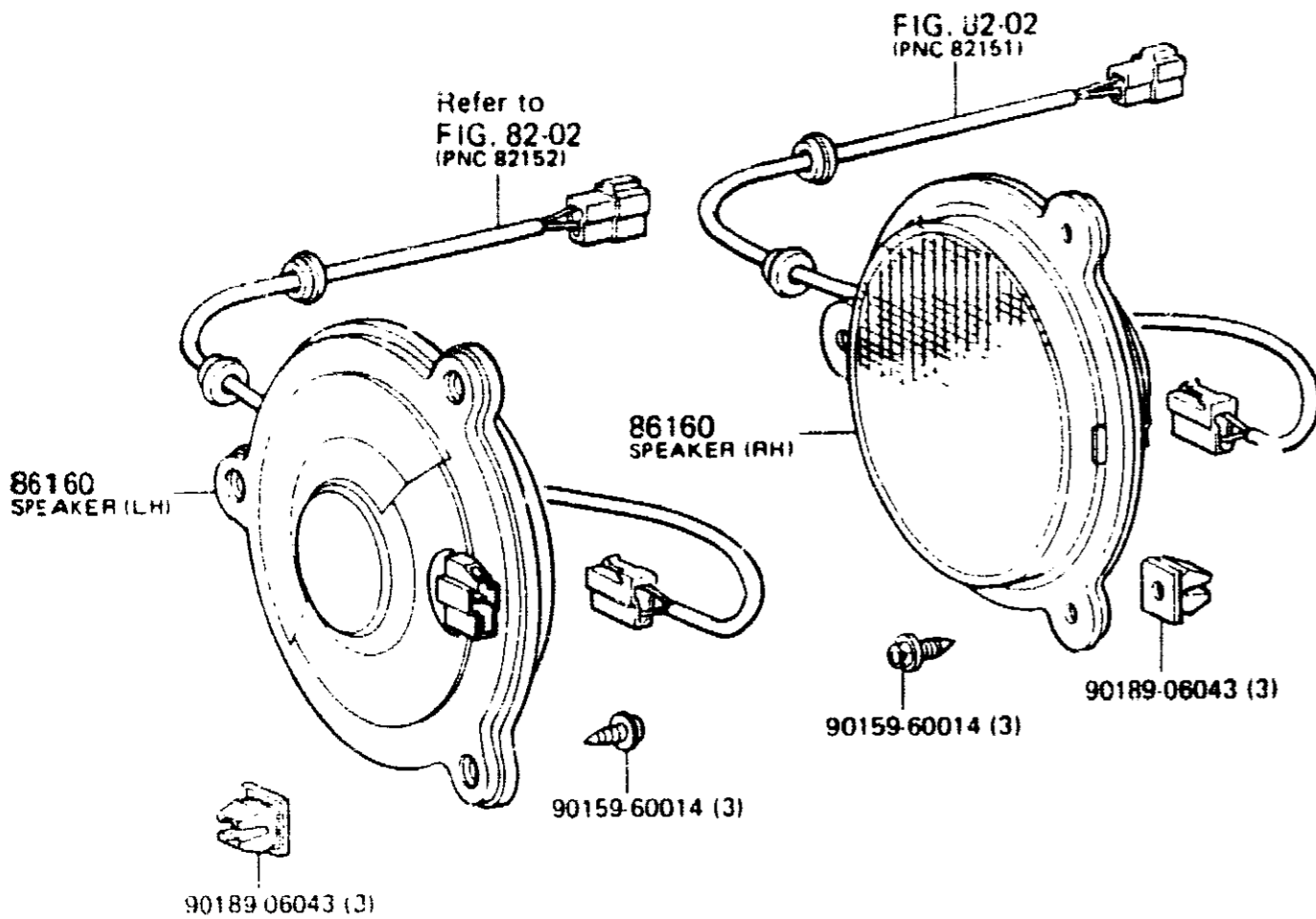
(8708-)



ME J643-A

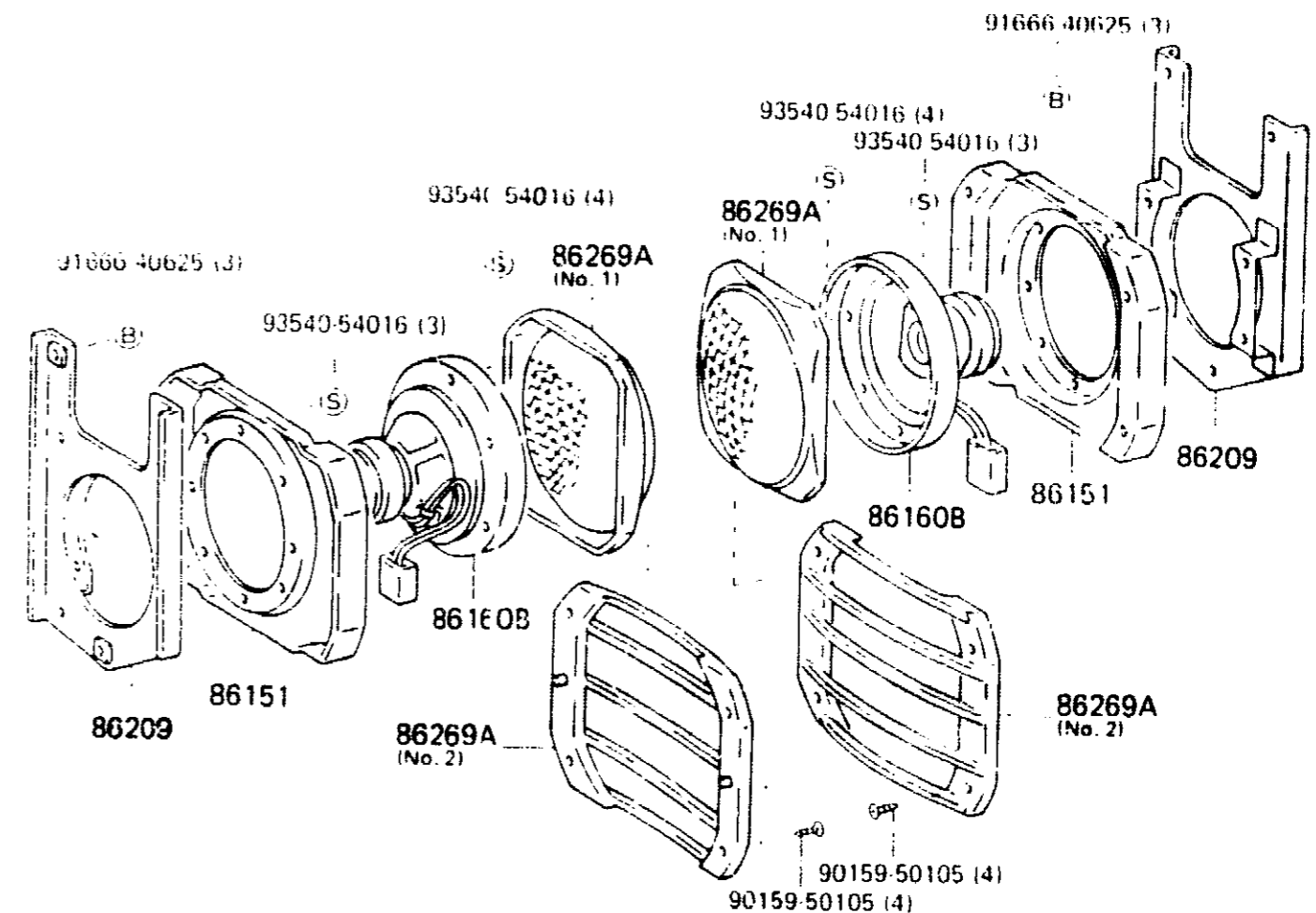
PROD. DATE	MODELS	DESCRIPTION	R / P	PART NUMBER	REV. REF		
					Q T Y.	F	T
8708-9001	FJ62	RELAY ASSY, CIRCUIT OPENING (FOR E.F.I.)		85910-14020-	1		
8708-9001	FJ62	RELAY, COMPUTER (FOR EFI)		85915-60010-	1		
8708-8808	FJ62	SENSOR, WATER TEMPERATURE (FOR E.F.I.)		89422-30020-	1		002
8808-9001	FJ62..WGG			89422-20010-	1	003	
8708-9001	FJ62	SWITCH, WATER TEMPERATURE (FOR E.F.I)		89428-14070-	1		
P 8708-8903	FJ62	SENSOR, THROTTLE POSITION (FOR E.F.I.)		# 89452-28030- (89452-20050-	1		
B 8903-9001	FJ62..WGG			89452-14050-	1		
8708-8808	FJ62	SWITCH, START INJECTOR TIME		89462-20010-	1		002
8808-9001	FJ62..WGG			89462-20040-	1	003	
8708-8802	FJ62..USA	COMPUTER, ENGINE CONTROL CALIFORNIA SPEC		# 89661-60010- (89661-60011-)	1		
8708-8802	FJ62			# 89661-60020- (89661-60021-)	1		
8802-9001	FJ62..USA	CALIFORNIA SPEC		89661-60011-	1		
8802-9001	FJ62			89661-60021-	1		

(8708-)
FRONT SPEAKER



ME J668

(8708-)
REAR SPEAKER



ME J669

PROD. DATE	MODELS	DESCRIPTION	R / P	PART NUMBER	Q T Y.	REV. REF	
						F	T
8708-9001	FJ62	PIPE SUB-ASSY, HEATER WATER		87208-90K06-	1		
8708-9001	FJ62	PIPE SUB-ASSY, HEATER WATER, A		87208-90A15-	1		
8708-9001	FJ62	VALVE ASSY, HEATER WATER		87240-90A00-	1		
8708-9001	FJ62	HOSE, HEATER WATER INLET, A (FROM ENGINE)		87245-90K53-	1		
8708-9001	FJ62	HOSE, HEATER WATER INLET, B		87245-90A27-	1		
8708-9001	FJ62	HOSE, HEATER WATER INLET, E (TO HEATER UNIT)		87245-90A0C-	1		
8708-9001	FJ62..USA	HOSE, HEATER WATER OUTLET, A (FROM HEATER UNIT)		87245-90A28-	1		
8708-9001	FJ62	HOSE, HEATER WATER OUTLET, E (TO ENGINE)		87245-90K36-	1		
8708-9001	FJ62	PIPE SUB-ASSY, WATER		87248-90A22-	1		
8708-9001	FJ62	PIPE, HEATER WATER OUTLET, A REAR NO.2		87248-90A24-	1		
8708-9001	FJ62	PIPE, HEATER WATER OUTLET, A REAR NO.1		87248-90A25-	1		

PROD. DATE	MODELS	DESCRIPTION	R / P	PART NUMBER	Q T Y.	REV. REF	
						F	T
8708-9001	FJ62	HOSE, REAR HEATER WATER INLET, B NO.1		87245-90A29-	1		
8708-9001	FJ62	HOSE, REAR HEATER WATER INLET, B NO.2		87245-90A40-	1		
8708-9001	FJ62	HOSE, REAR HEATER WATER INLET, E (TO HEATER UNIT)		87245-90A50-	1		
8708-9001	FJ62	HOSE, REAR HEATER WATER OUTLET, A (FROM HEATER UNIT)		87245-90A50-	1		
8708-9001	FJ62	HOSE, REAR HEATER WATER OUTLET, B NO.2		87245-90A41-	1		
8708-9001	FJ62	HOSE, REAR HEATER WATER OUTLET, B L=95, NO.1		99556-20095-	1		
8708-9001	FJ62	HOSE, REAR HEATER WATER OUTLET, C		87245-90A30-	1		
8708-9001	FJ62	HOSE, REAR HEATER WATER OUTLET, E (TO ENGINE) *H, L=60		99556-30100-	1		

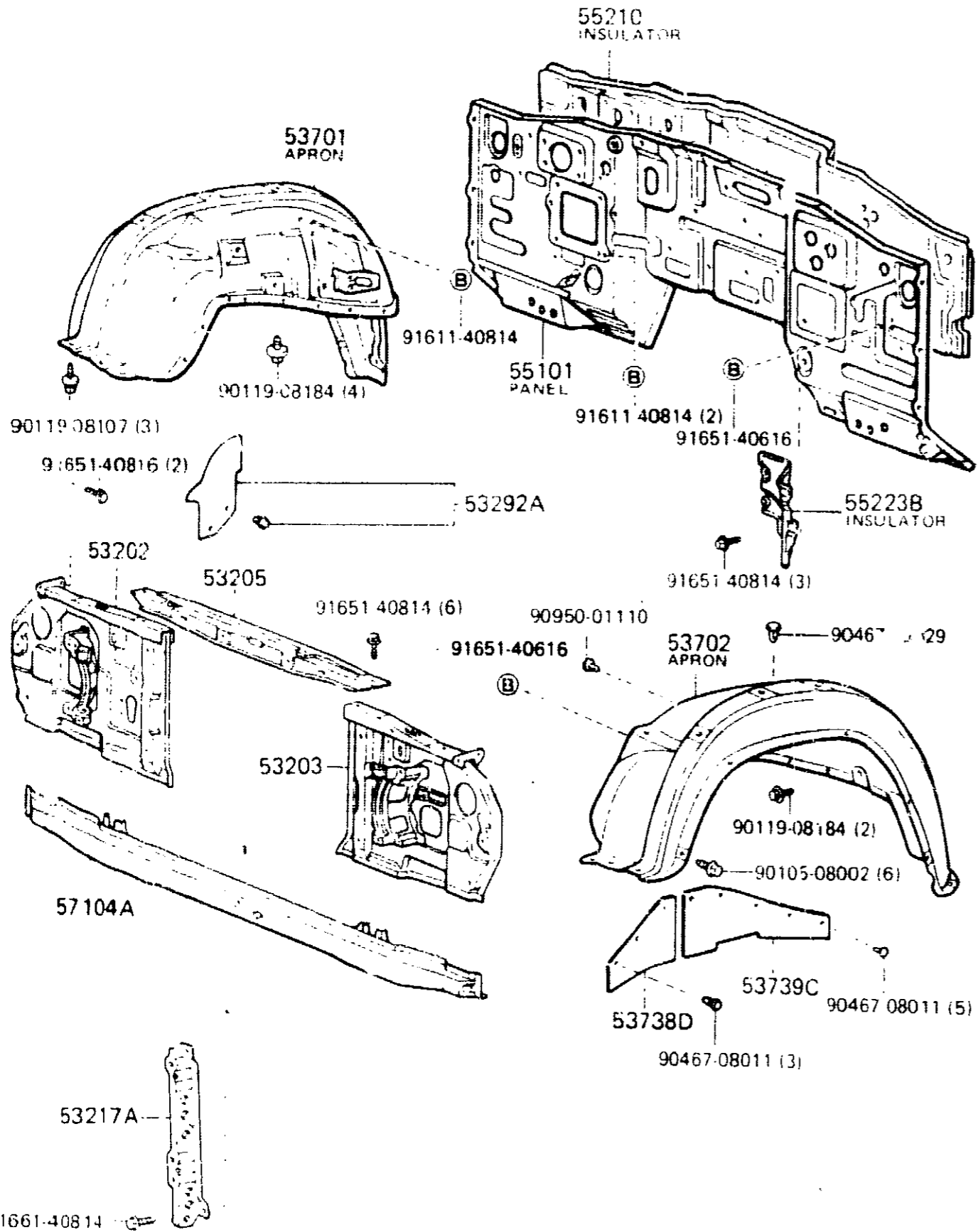
*H, L = Cut hose to length as specified in remarks

FIGURE NUMBER INDEX

LOCATION	FIG. No.	SUMMARY	LOCATION	FIG. No.	SUMMARY	LOCATION	FIG. No.	SUMMARY
TOOL GROUP			POWER TRAIN - CHASSIS GROUP					
1A1	09-01	STANDARD TOOL	2A1	33-12	SHIFT LEVER & RETAINER	2G7	45-03	OIL COOLER & TUBE
ENGINE GROUP			2D1	35-01	TRANSAXLE OR TRANSMISSION ASSY & GASKET KIT (ATM)	2H7	45-04	STEERING WHEEL
1C1	11-01	PARTIAL ENGINE ASSEMBLY	2E1	35-02	TORQUE CONVERTER, FRONT OIL PUMP & CHAIN (ATM)	2I7	45-05	STEERING GEAR & LINK
1D1	11-02	SHORT BLOCK ASSEMBLY	2G1	35-03	TRANSMISSION CASE & OIL PAN (ATM)	2A8	46-01	PARKING BRAKE & CABLE
1E1	11-03	ENGINE OVERHAUL GASKET KIT	2J1	35-05	SPEEDOMETER DRIVEN GEAR (ATM)	2C8	47-01	BRAKE PEDAL & BRACKET
1F1	11-04	CYLINDER HEAD	2K1	35-06	OVERDRIVE GEAR (ATM)	2D8	47-02	BRAKE MASTER CYLINDER
1H1	11-05	CYLINDER BLOCK	2A2	35-07	BRAKE BAND & MULTIPLE DISC CLUTCH (ATM)	2F8	47-03	BRAKE BOOSTER
1J1	11-06	TIMING GEAR COVER & REAR END PLATE	2D2	35-08	CENTER SUPPORT & PLANETARY SUN GEAR (ATM)	2H8	47-05	FRONT DISC BRAKE CALIPER & DUST COVER
1K1	11-07	MOUNTING	2F2	35-09	BRAKE NO. 3 1ST & REVERSE BRAKE (ATM)	2J8	47-06	REAR JACKING PLATE & WHEEL CYLINDER
1L1	12-01	VENTILATION HOSE	2G2	35-10	PLANETARY GEAR REVERSE PISTON & COUNTER GEAR (ATM)	2M8	47-08	BRAKE TUBE & CLAMP
1M1	13-01	CRANKSHAFT & PISTON	2I2	35-11	REAR OIL PUMP & GOVERNOR (ATM)	2E9	48-02	FRONT AXLE ARM & STEERING KNUCKLE
1C2	13-02	CAMSHAFT & VALVE	2K2	35-12	VALVE BODY & OIL STRAINER (ATM)	2G9	48-03	FRONT SPRING & SHOCK ABSORBER
1E2	13-01	OIL PUMP	2I3	35-13	THROTTLE LINK & VALVE LEVER (ATM)	2K9	48-04	REAR SPRING & SHOCK ABSORBER
1G2	15-02	OIL FILTER	2K3	35-14	OIL COOLER & TUBE (ATM)			
1H2	15-03	OIL COOLER	2M3	36-08	TRANSFER ASSEMBLY & GASKET KIT			
1I2	16-01	WATER PUMP	2A4	36-09	TRANSFER CASE & EXTENSION HOUSING			
1J2	16-03	RADIATOR & WATER OUTLET	2C4	36-10	TRANSFER GEAR			
1A3	13-05	V BELT	2F4	36-11	TRANSFER LEVER & SHIFT ROD			
1B3	17-01	MANIFOLD	2H4	36-12	DIAPHRAGM CYLINDER			
1D3	17-02	EXHAUST PIPE	2J4	36-16	TRANSFER VACUUM PIPING			
1F3	17-03	AIR CLEANER	2K4	37-01	PROPELLER SHAFT & UNIVERSAL JOINT			
1H3	17-05	AIR PUMP	2M4	41-01	REAR AXLE HOUSING & DIFFERENTIAL			
1I3	17-06	MANIFOLD AIR INJECTION SYSTEM	2H5	41-02	REAR AXLE SHAFT & HUB			
1K3	17-08	VACUUM PIPING	2K5	41-03	DISK WHEEL & WHEEL CAP			
1A4	17-09	CAUTION PLATE & NAME PLATE	2M5	42-01	DIFFERENTIAL LOCK CONTROL			
1B4	19-01	IGNITION COIL & SPARK PLUG	2C6	41-01	FRONT AXLE HOUSING & DIFFERENTIAL			
1D4	19-02	DISTRIBUTOR	2J6	41-01	DRIVE SHAFT			
1E4	19-03	ALTERNATOR	2K6	41-02	FRONT AXLE HUB			
1G4	19-04	STARTER	2M6	41-01	TRANSFER CASE & EXTENSION HOUSING			
FUEL GROUP			2D7	41-02	WAVE PUMP & REVERSE GEAR			
1I4	22-01	FUEL INJECTION SYSTEM						
1M4	25-01	EXHAUST ASSEMBLY & UNIVERSAL JOINT						

(8708-)

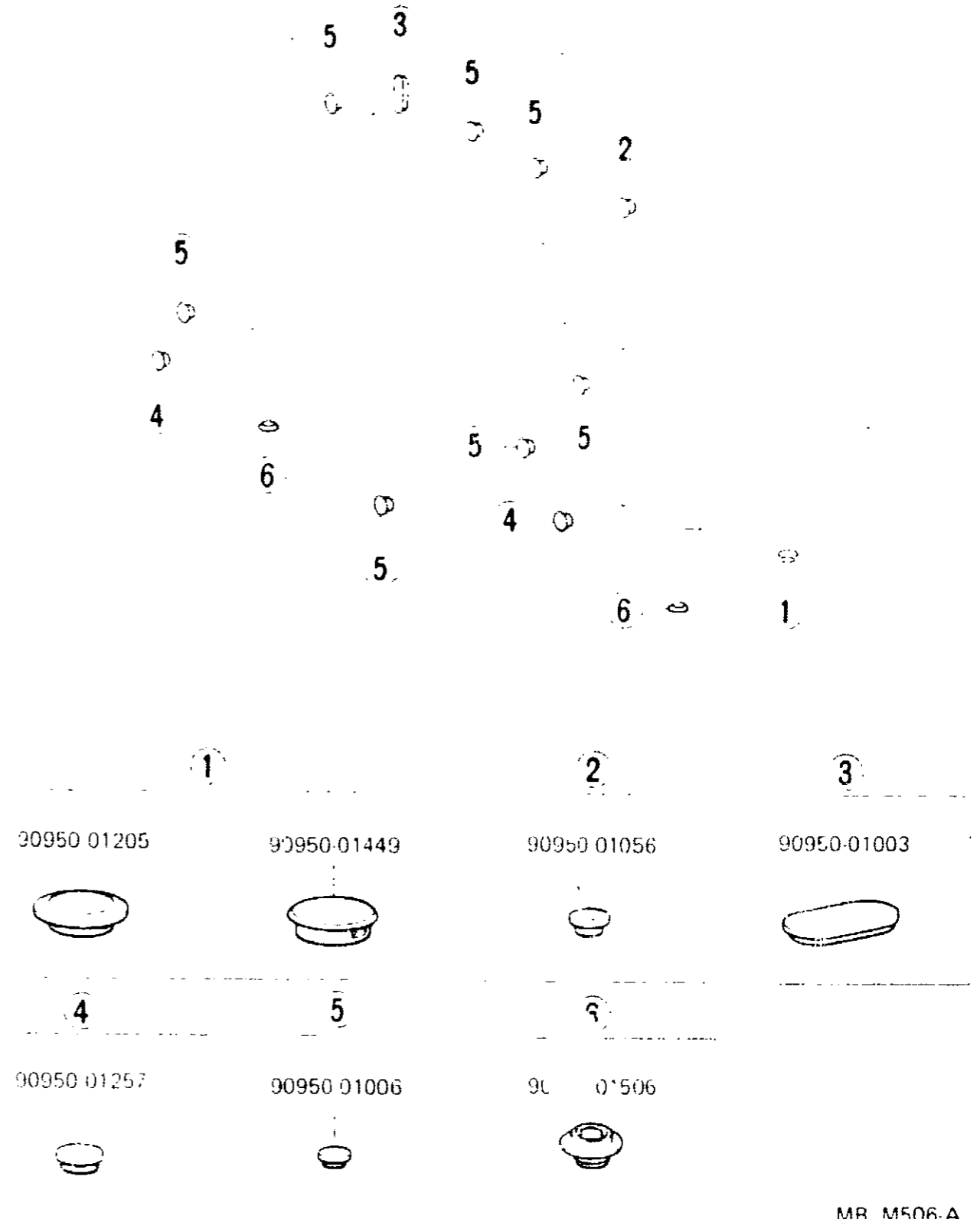
ILLUST. NO. 1 OF 2



MB L887-B

(8708-)

ILLUST. NO. 2 OF 2



MB M506-A

PROD. DATE	MODELS	DESCRIPTION	R / P	PART NUMBER	Q	REV. REF		
						Y	F	T
8708-9001	FJ62	REINFORCEMENT SUB-ASSY, BELT ANCHOR		57805-90A00-	2			
8708-8808	FJ62	CASE SUB-ASSY, REAR FLOOR PAN RETRACTOR, RH		58303-90A00-	1	002		
8708-8808	FJ62	CASE SUB-ASSY, REAR FLOOR PAN RETRACTOR, LH		58304-90A00-	1	002		
8708-9001	FJ62	PANEL SUB-ASSY, BODY LOWER BACK		58307-90A00-	1			
8708-9001	FJ62	PANEL SUB-ASSY, BODY LOWER BACK, INNER		58308-90A03-	1			
8708-8808	FJ62	PAN, REAR FLOOR		58311-90A20-	1	002		
8808-9001	FJ62..WGG			58311-90A19-	1	003		
8708-9001	FJ62	PANEL, REAR FLOOR SIDE, RH		58305-90A08-	1			
8708-9001	FJ62	PANEL, REAR FLOOR SIDE, LH		58306-90A12-	1			

PROD. DATE	MODELS	DESCRIPTION	R / P	PART NUMBER	Q	REV. REF		
						Y	F	T
8708-9001	FJ62	EXTENSION, REAR FLOOR PAN, RH		58315-90A07-	1			
8708-9001	FJ62	EXTENSION, REAR FLOOR PAN, LH		58316-90A07-	1			
8708-9001	FJ62	COVER, REAR FLOOR SERVICE HOLE		58325-90A00-	1			
8708-9001	FJ62	PACKING, REAR FLOOR SERVICE HOLE		58339-90A00-	1			
8708-9001	FJ62	COVER, REAR BODY MOUNTING SERVICE HOLE		58348-90A00-	2			
8708-9001	FJ62	BRACKET, FUEL TUBE CLAMP		58367-90A00-	1			
8708-9001	FJ62	RETAINER, ROPE HOOK		65557-90A01-	4			
8708-9001	FJ62	HOOK SUB-ASSY, ROPE		66301-90A00-	4			
8708-9001	FJ62	BAND, ROPE HOOK		66318-90A00-	4			
8708-9001	FJ62	MUDGUARD, QUARTER PANEL, REAR		76628-90A01-	2			

PROD. DATE	MODELS	DESCRIPTION	R / P	PART NUMBER	Q REV. REF		
					T	Y	F T
	63438B	SEAL, ROOF CARRIER, NO.3 RH					
8708-9001	FJ62..CND	RH		63438-90A00-			
8708-9001	FJ62..CND	LH		63439-90A00-			
	63441A	SUPPORT, ROOF CARRIER, NO.1 RH					
8708-9001	FJ62..CND			63441-90A00-	2		
	63442A	SUPPORT, ROOF CARRIER, NO.1 LH					
8708-9001	FJ62..CND			63442-90A00-	2		
	63443A	SUPPORT, ROOF CARRIER, NO.2					
8708-9001	FJ62..CND			63443-90A00-	2		
	63444	PROTECTOR, ROOF CARRIER, NO.1					
8708-9001	FJ62..CND			63444-90A00-	8		
	63445	PROTECTOR, ROOF CARRIER, NO.2					
8708-9001	FJ62..CND			63445-90A00-	4		
	63447	BAR, ROOF CARRIER, FRONT					
8708-9001	FJ62..CND			63447-90A00-	1		
	63448	BAR, ROOF CARRIER, REAR					
8708-9001	FJ62..CND			63448-90A00-	1		
	63449	BAR, ROOF CARRIER SIDE					
8708-9001	FJ62..CND			63449-90A00-	2		
	63457B	RETAINER, ROOF CARRIER, NO.1 RH					
8708-9001	FJ62..CND			63457-90A00-	2		

PROD. DATE	MODELS	DESCRIPTION	R / P	PART NUMBER	Q REV. REF		
					T	Y	F T
	63458B	RETAINER, ROOF CARRIER, NO.1 LH					
8708-9001	FJ62..CND			63458-90A00-	2		
	63459B	RETAINER, ROOF CARRIER, NO.2					
8708-9001	FJ62..CND			63459-90A00-	2		
	75631E	MOULDING, ROOF CARRIER					
8708-9001	FJ62..CND			75631-90A01-	7		

PROD. DATE	MODELS	DESCRIPTION	R / P	PART NUMBER	Q T Y.	REV. REF.		
						F	T	
8708-9001	FJ62	STAY ASSY, BACK DOOR, RH		68950-69045-	1			
8708-9001	FJ62	STAY ASSY, BACK DOOR, LH		68950-69045-	1			
8708-900	FJ62	BOLT, BACK DOOR STAY		68961-23010-	4			
8708-9001	FJ62	SHIM, BACK DOOR STOPPER		69289-90A00-	X			
8708-9001	FJ62	HANDLE ASSY, BACK DOOR INSIDE		69212-90A00-	1			
8708-9001	FJ62	LOCK ASSY, BACK DOOR		69350-90A03-	1			
8708-9001	FJ62	LOCK ASSY, BACK DOOR, LOWER		69380-90A01-	1			
8708-9001	FJ62	LOCK ASSY, TAIL GATE, LOWER LH		69390-90A00-	1			
8708-9001	FJ62	STRIKER ASSY, BACK DOOR LOWER LOCK		69430-90A01-	1			
8708-9001	FJ62	STRIKER ASSY, TAIL GATE, LOWER RH		69450-90A00-	1			

PROD. DATE	MODELS	DESCRIPTION	R / P	PART NUMBER	Q T Y.	REV. REF.		
						F	T	
8708-9001	FJ62	STRIKER ASSY, TAIL GATE, LOWER LH		69460-90A00-	1			
8708-9001	FJ62	CONTROL ASSY, BACK DOOR REMOTE		69690-90A01-	1			
8708-9001	FJ62	LINK SUB-ASSY, BACK DOOR LOCK CONTROL		69705-90A00-	1			
P 8708-9001	FJ62	ROD, SUB-ASSY, BACK DOOR LOCK REMOTE CONTROL		69706-90A00-03	1			
P 8708-9001	FJ62	SHADOW GRAY (TRIM1)		69706-90A00-06	1			
8708-9001	FJ62	SEPIA BROWN (TRIM4)		69706-90A00-06	1			
8708-9001	FJ62	PAD, BACK DOOR LOCK CONTROL		69722-90A00-	1			
8708-9001	FJ62	BUTTON, DOOR LOCKING (FOR BACK DOOR)		69747-20020-01	1			
8708-9001	FJ62	BLACK (TRIM1, 4)		69747-20020-01	1			
8708-9001	FJ62	CLAMP, TAIL GATE LOCK LINK		69749-30020-	1			
8708-9001	FJ62	LINK, BACK DOOR LOCK CONTROL, RH		69764-90A00-	1			
8708-9001	FJ62	LINK, BACK DOOR LOCK CONTROL, LH NO.3		69767-90A00-	1			
8708-9001	FJ62	BUSH, BACK DOOR LOWER INSIDE HANDLE		75415-95660-	1			

(8708-)
CLAMP & GROMMET

ILLUST. NO. 3 OF 3

82711 12200 	82711 12480 	82711 14080 	82711-14110 	82711 24240
82711 30780 	82711 60010 	82711-90A00 	90461 08183 	90461 08202
90463 08030 	90463 10010 	90463 10060 	90463-10060 	90463-10338
90463 10521 	90464-00311 	90480-12002 	90480-30007 	82711-30660
82711 90A03 	82711 90A02 	82711 22270 		

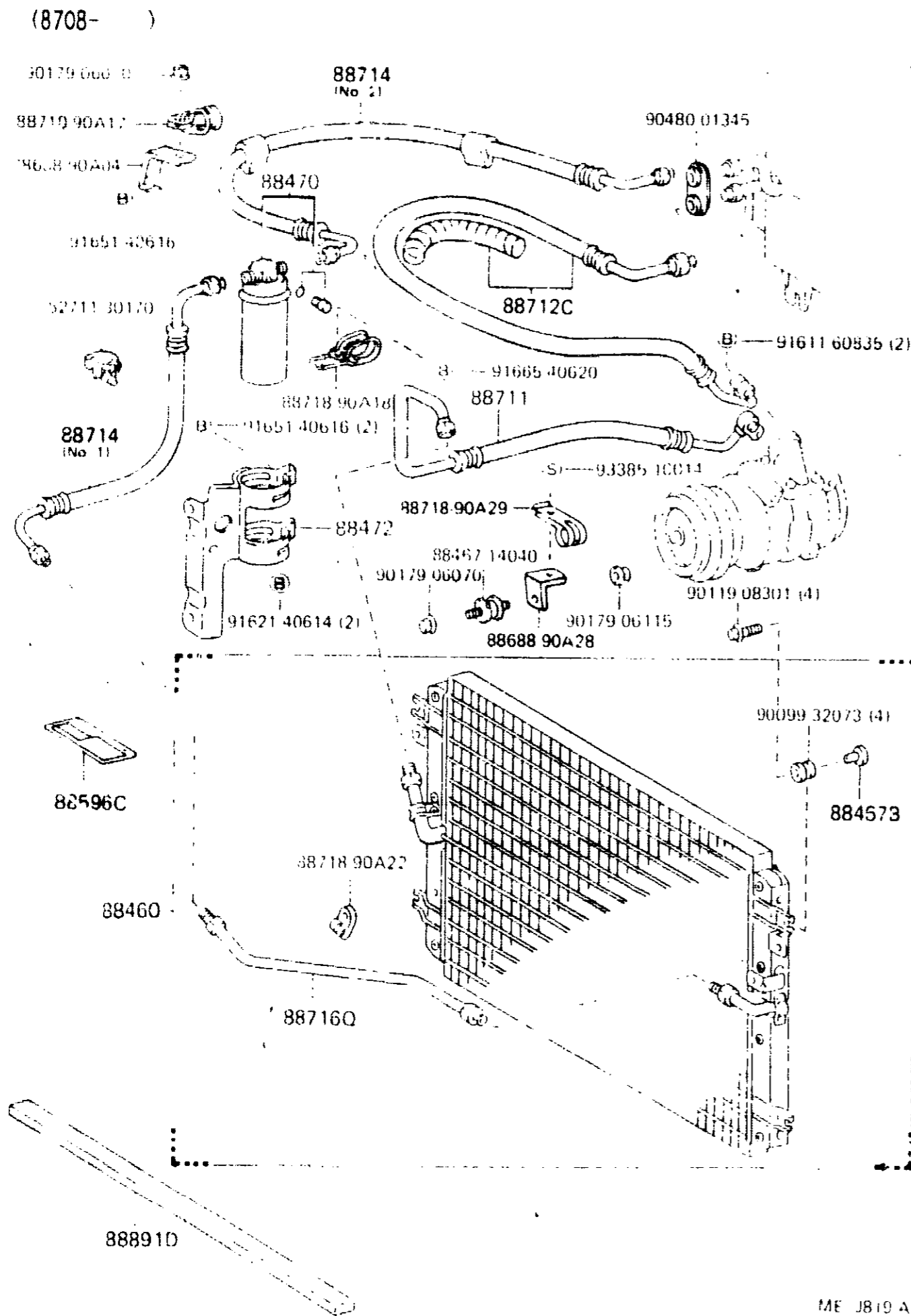
ME 1006 C

PROD. DATE	MODELS	DESCRIPTION	R / P	PART NUMBER	Q T Y.	REV. REF.	
						F	T
		1 82001 CABLE, BOND, NO.1					
8708-9001	FJ62	FRAME-ENGINE		90980-07003-	1		
8708-9001	FJ62	MISSION-BODY		90980-07048-	1		
8708-9001	FJ62	ENGINE-HEATER VALV E		90980-07251-	1		
		1 82121 WIRE, ENGINE					
8708-8808	FJ62			82121-90A03-	1		002
8808-9001	FJ62..WGG			82121-90A04-	1	003	
		1 82124 WIRE, ENGINE, NO.4					
8708-9001	FJ62			82124-90A01-	1		
		1 82125 WIRE, TRANSMISSION					
8708-9001	FJ62			82125-90A09-	1		
		1 82131 WIRE, COWL					
8708-8808	FJ62			82131-90G89-	1		002
8808-9001	FJ62..WGG			82131-90G98-	1	003	
		1 82132 WIRE, COWL, NO.2					
8708-9001	FJ62			82132-90A15-	1		
		1 82141 WIRE, INSTRUMENT PANEL					
8708-9001	FJ62			82141-90A20-	1		
8708-9001	FJ62	W(DIFFERENTIAL LOC K)		82141-90A21-	1		
		1 82151 WIRE, FRONT DOOR, RH					
8708-9001	FJ62			82151-90A05-	1		
8708-9001	FJ62	W(POWER WINDOW)		82151-90A08-	1		

FIG. 87-18 HEATING & AIR CONDITIONING - COOLER PIPING

3M11

791430M-01379



PROD. DATE	MODELS	DESCRIPTION	R / P	PART NUMBER	QTY.	REV. REF	
						F	T
8708-9001	FJ62	CONDENSER ASSY, COOLER		88460-90A14-	1		
8708-9001	FJ62	INSULATOR, COOLER CONDENSER MOUNTING		88469-22010-	4		
8708-9001	FJ62	RECEIVER AND DRYER ASSY, COOLER		88470-14010-	1		
8708-9001	FJ62	BRACKET, RECEIVER TANK, NO. 1		88472-90A01-	1		
8708-9001	FJ62	PLATE, CAUTION, NO. 2		88723-12010-	1		
8708-9001	FJ62	HOSE, COOLER REFRIGERANT DISCHARGE, NO. 1		88711-90A09-	1		
8708-9001	FJ62	HOSE, SUCTION		88712-90A09-	1		
8708-9001	FJ62	HOSE, COOLER REFRIGERANT LIQUID, NO. 1		88721-90A07-	1		
8708-9001	FJ62	HOSE, COOLER REFRIGERANT LIQUID, NO. 2		88721-90A08-	1		
8708-9001	FJ62	PIPE, COOLER REFRIGERANT LIQUID, Q		88716-90A43-	1		
8708-9001	FJ62	PACKING		88578-90A02-	1		

FIGURE NUMBER INDEX

M16

LOCATION	FIG. No.	SUMMARY	LOCATION	FIG. No.	SUMMARY	LOCATION	FIG. No.	SUMMARY
BODY GROUP								
3A1	51-51	FRAME	3C6	71-51	SEAT & SEAT TRACK	3G10	85-05	HEADLAMP CLEANER
3C1	51-52	SUSPENSION CROSSMEMBER & UNDER COVER	3H6	71-52	SEAT BELT	3I10	85-11	DOOR MOTOR & DOOR SOLENOID
3D1	51-53	SPARE WHEEL CARRIER	3J6	74-51	ARMREST & VISOR	3J10	86-01	RADIO & TAPE PLAYER
3E1	52-51	CAB MOUNTING & BODY MOUNTING	3L6	74-54	BATTERY CARRIER	3L10	86-02	SPEAKER
3G1	52-52	FRONT BUMPER & BUMPER STAY	3M6	74-55	CAUTION PLATE	3A11	86-04	ANTENNA
3H1	52-53	REAR BUMPER & BUMPER STAY	3A7	74-56	ASH RECEPTACLE	3B11	86-11	HORN
3I1	53-51	RADIATOR GRILLE	3B7	75-51	EMBLEM & NAME PLATE	3C11	87-01	MIRROR
3J1	53-53	HOOD & FRONT FENDER	3D7	75-52	MOULDING	3E1	87-12	HEATING & AIR CONDITIONING HEATER UNIT & BLOWER
3L1	53-54	HOOD LOCK & HINGE	3G7	75-54	TOOL BOX & LICENSE PLATE BRACKET	3G11	87-14	HEATING & AIR CONDITIONING COOLER UNIT
3M1	53-55	FRONT FENDER APRON & DASH PANEL	3H7	77-51	FUEL TANK & TUBE	3I11	87-15	HEATING & AIR CONDITIONING CONTROL & AIR DUCT
3B2	55-51	INSTRUMENT PANEL & GLOVE COMPARTMENT	3L7	78-51	ACCELERATOR LINK	3K11	87-16	HEATING & AIR CONDITIONING WATER PIPING
3F2	55-53	NOSE PANEL & WINDSHIELD GLASS	ELECTRICAL GROUP			3M11	87-18	HEATING & AIR CONDITIONING - COOLER PIPING
3H2	57-51	FLOOR MEMBER	3A8	81-01	HEADLAMP	3A12	87-19	HEATING & AIR CONDITIONING COMPRESSOR
3I2	58-51	FRONT FLOOR PANEL & FRONT FLOOR MEMBER	3C8	81-03	FRONT TURN SIGNAL LAMP			
3L2	58-52	REAR FLOOR PANEL & REAR FLOOR MEMBER	3D8	81-04	FRONT CLEARANCE LAMP			
3A3	58-53	FLOOR INSULATOR	3E8	81-05	FRONT MARKER LAMP			
3B3	58-54	FLOOR MAT & SILENCER PAD	3F8	81-11	REAR COMBINATION LAMP			
3D3	58-55	CONSOLE BOX & BRACKET	3H8	81-13	REAR LICENSE PLATE LAMP			
3G3	61-51	SIDE MEMBER	3I8	81-14	REAR SIDE MARKER LAMP			
3K3	61-52	SIDE WINDOW	3J8	81-21	INTERIO. LAMP			
3L3	61-53	ROOF PANEL & PACK PANEL	3K8	82-01	BATTERY & BATTERY CABLE			
3A4	61-55	REAR VENTILATOR & ROOF VENTILATOR	3L8	82-02	WIRING & CLAMP			
3B4	64-51	INSIDE TRIM BOARD	3C9	83-01	METER			
3E4	64-52	ROOF HEADLINING & SILENCER PAD	3E9	83-02	INDICATOR			
3G4	64-55	DECK BOARD & DECK TRIM COVER	3F9	84-01	SWITCH & RELAY			
3H4	67-51	FRONT DOOR PANEL & GLASS	3L9	84-04	ELECTRONIC FUEL INJECTION SYSTEM			
3L4	67-53	FRONT DOOR LOCK & HANDLE	3A10	85-01	WINDSHIELD WIPER			
3A5	67-54	FRONT DOOR WINDOW REGULATOR & HINGE	3C10	85-02	REAR WIPER			
3C5	67-55	REAR DOOR PANEL & GLASS	3D10	85-03	WINDSHIELD WASHER			
3F5	67-56	REAR DOOR LOCK & HANDLE	3F10	85-04	REAR WASHER			
3H5	67-57	REAR DOOR WINDOW REGULATOR & HINGE						
3J5	67-61	BACK DOOR PANEL & GLASS						
3L5	67-62	BACK DOOR LOCK & HINGE						
3A6	67-65	LOCK CYLINDER SET						

CONTENTS
(PART NAME - LOCATION)

A12

791430H-00098
ABSORBER - BEARING

ABSORBER	- BEARING	A12
BEARING	- BOLT	B12
BOLT	- BULB	C12
BULB	- CLAMP	D12
CLAMP	- COVER	E12
COVER	- DISC	F12
DISC	- GASKET	G12
GASKET	- GROMMET	H12
GROMMET	- HOSE	I12
HOSE	- LENS	J12
LENS	- MOULDING	K12
MOULDING	- PEDAL	L12
PIECE	- PLATE	M12
PLATE	- RADIATOR	A13
RAIL	- RING	B13
RING	- SEAL	C13
SEAL	- SLEEVE	D13
SLEEVE	- STATOR	E13
STATOR	- TUBE	F13
TUBE	- WEATHERSTRIP	G13
WEATHERSTRIP	- YOKE	H13

PART	NAME	LOCATION
ABSORBER ASSY, SHOCK REAR, LH		2A10
ABSORBER ASSY, SHOCK REAR, RH		2M9
ABSORBER ASSY, SHOCK, FRONT LH		219
ABSORBER ASSY, SHOCK, FRONT RH		219
ABSORBER, INNER REAR VIEW MIRROR		3C11
ADAPTER SUB-ASSY, TRANSMISSION CASE, REAR		2G1
ADAPTOR SUB-ASSY, TRANSMISSION HOUSING, FRONT		2G1
ADJUSTER ASSY, RECLINING SEAT, OUTER LH		3G6
ADJUSTER ASSY, RECLINING SEAT, OUTER RH		3G6
ADJUSTER ASSY, SHOE, LH (FOR REAR BRAKE)		2K8
ADJUSTER ASSY, SHOE, RH (FOR REAR BRAKE)		2K8
ALTERNATOR ASSY		1E4
AMPLIFIER ASSY, COOLER STABILIZER		3M11
ANTENNA ASSY, W/HOLDEP		3A11
ANTI-RATTLE, BACK DOOR, LH		3L5
ANTI-RATTLE, BACK DOOR, RH		3L5
APRON SUB-ASSY, FRONT FENDER, LH		3A2
APRON SUB-ASSY, FRONT FENDER, RH		3A2
ARM ASSY, REAR WIPER		3C10
ARM ASSY, WINDSHIELD WIPER		3A10
ARM SUB-ASSY, VALVE ROCKER, NO.1		1D2
ARM SUB-ASSY, VALVE ROCKER, NO.2		1C2
ARM, FRONT BUMPER, UPPER LH		3G1
ARM, FRONT BUMPER, UPPER RH		3G1
ARM, GLOVE COMPARTMENT DOOR CHECK		3D2
ARM, FITMAN		2L7
ARM, STEERING KNUCKLE, LH		2M7
ARM, STEERING KNUCKLE, RH		2M7
ARMATURE ASSY, STARTER		1G4
ARMREST ASSY, FRONT, LH		3K6
ARMREST ASSY, FRONT, RH		3K6
ARMREST ASSY, REAR, LH		3K6
ARMREST ASSY, REAR, RH		3K6
BACK ASSY, FRONT SEAT, LH (FOR SEPARATE TYPE)		3E6
BACK ASSY, FRONT SEAT, RH (FOR SEPARATE TYPE)		3E6
BACK ASSY, REAR SEAT (FOR BENCH TYPE)		3E6
BAG, TOOL		1A1
BALANCER ASSY, HOOD, LH		3L1
BALANCER ASSY, HOOD, RH		3L1
BALL (FOR FRONT DIFFERENTIAL LOCK CYLINDER)		2G6
BALL (FOR LOWER VALVE BODY)		2B3
BALL (FOR POWER PISTON NUT)		2K7
BALL (FOR REAR DIFFERENTIAL LOCK CYLINDER)		2E5
BALL (FOR REAR UPPER VALVE BODY)		2C3
BALL, CHECK		2F1
BALL, SHIFT DETENT		2F4
BAND SUB-ASSY, FUEL TANK, NO.1		3K7
BAND, IGNITION COIL, NO.1		1C4
BAND, ROPE HOOK		3M2
BAND, TOOL BAG		3G7
BAR SUB-ASSY, REAR DOOR WINDOW DIVISION, LH		3C5
BAR SUB-ASSY, REAR DOOR WINDOW DIVISION, RH		3C5
BAR, AIR PUMP ADJUSTING NO.2		1H3
BAR, FAN BELT ADJUSTING		1K2
BAR, FAN BELT ADJUSTING, NO.2		1K2
BAR, FRONT BUMPER		3G1
BAR, REAR		3H1
BAR, ROOF CARRIER SIDE		3M3
BAR, ROOF CARRIER, FRONT		3M3
BAR, ROOF CARRIER, REAR		3M3
BAR, STABILIZER, FRONT		2J9
BAR, STABILIZER, REAR		2A10
BASE, SWITCH HOLE, NO.1		3C2
BATTERY		3K8
BEARING (FOR ADJUSTER PLUG)		2K7

PART	NAME	LOCATION
PLATE, FUEL CAUTION		3M6
PLATE, HORN CONTACT		319
PLATE, LOAD SENSING VALVE SET		2D9
PLATE, LOCK (FOR TRANSFER GEAR)		2E4
PLATE, LOCK UP RELAY VALVE BODY		2A3
PLATE, OFFROAD VEHICLE CAUTION		3M6
PLATE, POSITION INDICATOR (FOR FLOOR SHIFT)		2B1
PLATE, POWER STEERING OIL RESERVOIR CAUTION		2F7
PLATE, REAR AXLE LOCK NUT		2J5
PLATE, REAR CLUTCH		2B2
PLATE, REAR DOOR REGULATOR INSIDE HANDLE		3H5
PLATE, REAR DOOR SCUFF, LH		3C3
PLATE, REAR DOOR SCUFF, RH		3C3
PLATE, REAR FLOOR MAT SUPPORT		3B3
PLATE, REAR SEAT BACK SET		3E6
PLATE, RETAINER		1E4
PLATE, SPEEDOMETER SLEEVE LOCK (FOR ATM)		2J1
PLATE, STEERING COLUMN HOLE COVER		2A7
PLATE, TRANSFER DIAPHRAGM		2H4
PLATE, TRANSMISSION NAME		2C1
PLATE, VALVE BODY COVER		2C3
PLATE, VALVE BODY, NO.1		2C3
PLATE, VANE PUMP		2F7
PLATE, VANE PUMP SIDE, NEAR		2F7
PLATE, WATER PUMP		1I2
PLATE, FAN CAUTION		1A4
PLIERS		1A1
PLUG		1C3
PLUG (FOR ACCUMULATOR CONTROL VALVE NO.1)		2G3
PLUG (FOR AUTOMATIC TRANSMISSION CASE)		2H1
PLUG (FOR CUY BACK VALVE)		2E3
PLUG (FOR DETENT REGULATOR VALVE)		2D3
PLUG (FOR FRONT AXLE HOUSING)		2H6
PLUG (FOR FUEL TANK)		3J7
PLUG (FOR INTERMEDIATE MODULATOR VALVE)		2D3
PLUG (FOR LOW COAST SHIFT VALVE)		2D3
PLUG (FOR LOW MODULATOR VALVE)		2D3
PLUG (FOR MANUAL DOWN TIMING VALVE)		2G3
PLUG (FOR OIL PAN DRAIN)		1I1
PLUG (FOR OVERDRIVE CLUTCH EXHAUST VALVE)		2F3
PLUG (FOR REAR AXLE HOUSING DRAIN)		2F5
PLUG (FOR REAR AXLE HOUSING FILLER)		2F5
PLUG (FOR REAR DIFFERENTIAL LOCK CYLINDER)		2F5
PLUG (FOR SECONDARY REGULATOR VALVE)		2F3
PLUG (FOR STEERING KNUCKLE)		2E9
PLUG (FOR TRANSFER CASE)		2B4
PLUG (FOR 1-2 RELAY VALVE)		2E3
PLUG (FOR 1-2 SHIFT VALVE LOW PLUG)		2D3
PLUG (FOR 2-3 SHIFT VALVE PLUG)		2D3
PLUG (FOR 2-3 SHIFT VALVE)		2E3
PLUG (FOR 2ND LOCK VALVE)		2F3
PLUG (FOR 3-2 KICK DOWN ORIFICE CONTROL VALVE)		2G3
PLUG (FOR 3-4 SHIFT VALVE)		2G3
PLUG SUB-ASSY, ADJUSTER		2J7
PLUG SUB-ASSY, DRAIN		2H6
PLUG SUB-ASSY, DRAIN (ATM)		2H1
PLUG SUB-ASSY, PRIMARY DOWN SHIFT		2A3
PLUG SUB-ASSY, SECONDARY DOWN SHIFT		2A3
PLUG, (FOR FRONT DIFFERENTIAL LOCK CYLINDER)		2G6
PLUG, ASSIST GRIP		3K6
PLUG, AUTOMATIC TRANSMISSION CASE		2G1
PLUG, BLEEDER (FOR DRUM BRAKE, REAR)		2K8
PLUG, BLEEDER (FOR FRONT DISC BRAKE)		2H8
PLUG, BREATHER (FOR TRANSFER CASE)		2B4
PLUG, BREATHER, NO.1 (ATM)		2G1

PART	NAME	LOCATION
PLUG, EXPANSION (FOR CAMSHAFT)		1C2
PLUG, HOLE (FOR REAR BRAKE)		2K8
PLUG, HOLE (FOR REAR CONSOLE BOX)		3E3
PLUG, LOCK UP SIGNAL VALVE		2A3
PLUG, MASTER CYLINDER FLUID OUTLET		2D8
PLUG, MASTER CYLINDER FLUID OUTLET (FOR REAR SIDE)		2E8
PLUG, NO.2		1C3
PLUG, OIL PUMP RELIEF VALVE		1E2
PLUG, RADIATOR DRAIN COCK		1L2
PLUG, SHIFT DETENT BALL SPRING		2F4
PLUG, SPARK		1B4
PLUG, STRAIGHT (FOR 3RD COAST SHIFT)		2F3
PLUG, STRAIGHT SCREW (FOR STEERING LINK JOINT)		2M7
PLUG, STRAIGHT, NO.1		1F1
PLUG, TIGHT (FOR TRANSFER CASE)		2B4
PLUG, TIGHT, NO.1		1F1
PLUG, TIGHT, NO.1 (FOR CYLINDER BLOCK)		1I1
PLUG, TIGHT, NO.2		1F1
PLUG, TIGHT, NO.2 (FOR CYLINDER BLOCK)		1I1
PLUG, TIGHT, NO.3		1F1
PLUG, TIGHT, NO.3 (FOR CYLINDER BLOCK)		1I1
PLUG, WATER DRAIN COCK (FOR CYLINDER BLOCK)		1H1
PLUG, 1-2 SHIFT VALVE LOW		2D3
PLUG, 2-3 SHIFT TIMING VALVE		2C3
PLUG, 2-3 SHIFT VALVE		2D3
PLUNGER, PRIMARY REGULATOR VALVE, NO.1		2B3
POCKET, CONSOLE BOX		3E3
POCKET, FRONT DOOR TRIM, LH		3J4
POCKET, FRONT DOOR TRIM, RH		3J4
PROTECTOR, DIFFERENTIAL LOCK CYLINDER		2F5
PROTECTOR, EDGE, NO.1		3C2
PROTECTOR, FUEL HOSE		3J7
PROTECTOR, INTERMEDIATE LINK JOINT, LOWER		2B7
PROTECTOR, INTERMEDIATE LINK JOINT, UPPER		2B7
PROTECTOR, QUARTER INNER		3G7
PROTECTOR, ROOF CARRIER, NO.1		3M3
PROTECTOR, ROOF CARRIER, NO.2		3M3
PROTECTOR, TRANSMISSION OIL PAL		2H1
PULLER, FUSE		3H9
PULLEY ASSY, IDLE		3C12
PULLEY ASSY, IDLER		1K1
PULLEY, ALTERNATOR		1F4
PULLEY, CRANKSHAFT		1B2
PULLEY, CRANKSHAFT, NO.2		1B2
PULLEY, FAN		1I2
PULLEY, PARKING BRAKE SEGMENTAL		2L8
PULLEY, VANE PUMP		2D7
PUMP ASSY, AIR		1H3
PUMP ASSY, FUEL		1K4
PUMP ASSY, OIL		1E2
PUMP ASSY, VANE		2E7
PUMP ASSY, WATER		1I2
PUMP ASSY, WATER, W/O COUPLING		1I2
PUSH ROD SUB-ASSY, BOOSTER		2G8
RACE, THRUST BEARING (FOR FRONT CLUTCH HUB FRONT)		2A2
RACE, THRUST BEARING (FOR FRONT OIL PUMP COVER)		2F1
RACE, THRUST BEARING (FOR INPUT SHAFT FRONT)		2C2
RACE, THRUST BEARING (FOR INPUT SHAFT REAR)		2B2
RACE, THRUST BEARING (FOR OVERDRIVE CASE)		2M1
RACE, THRUST BEARING (FOR OVERDRIVE PLANETARY GEAR)		2M1
RACE, THRUST BEARING (FOR REAR CLUTCH DRUM)		2B2
RACE, THRUST BEARING (FOR REAR PLANETARY FLANGE)		2H2
RACE, 1 WAY CLUTCH OUTER (FOR OVERDRIVE)		2L1
RADIATOR ASSY		1K2
RADIATOR ASSY, HEATER		3F11

CONTENTS
(PART NUMBER - LOCATION)

A14

791430H-00026
04044 - 16361

04044 - 16361	-----	A14
16363 - 35676	-----	B14
35676 - 45130	-----	C14
45130 - 57402	-----	D14
57405 - 67917	-----	E14
68111 - 81520	-----	F14
81521 - 89668	-----	G14
89669 - 90389	-----	H14
90389 - 91511	-----	I14
91611 - 99915	-----	J14

PART NUMBER	LOCATION	PART NUMBER	LOCATION	PART NUMBER	LOCATION
04044-60150-	2J7	11253-61010-	1H1	13103-61032-	1A2
04111-61070-	1E1	11292-61010-	1A4	13105-61032-	1A2
04112-61060-	1E1	11298-61040-	1A4	13107-61031-	1A2
04351-60011-	2D1 N	-61041-	1A4	-61032-	1A2
04371-10011-	2M6 N	-61042-	1A4	13201-33011-	1A2
-36030-	2K4	-61050-	1A4	13204-61020-	1A2
04412-60030-	2B5 N	-61051-	1A4	13265-39025-	1A2
04434-60012-	2E9 N	-61052-	1A4	13401-61021-	1A2
04443-60330-	2G8	-61060-	1A4	-61023-	1A2
04445-60030-	2J7 S	-61061-	1A4	13470-61030-	1B2
04446-30030-	2D7 N	-61062-	1A4	13471-61010-	1B2
-35010-	2D7	11302-61031-	1J1	13511-60060-	1C2
04455-60020-	2J7	11311-61020-	1J1	13521-61010-	1B2
04474-60010-	2J8 P	11312-61020-	1J1	13523-61010-	1C2
04476-60050-	2J8 B	-61021-	1J1	13571-61010-	1C2
04477-60010-	2B9	11328-61010-	1J1	13711-61010-	1C2
04479-30030-	2H8	11369-60011-	1J1	13715-61040-	1D2
04481-60030-	2H9 P	11400-61120-	1D1	13734-60030-	1D2
04482-60040-	2H9 B	-61121-	1D1	13741-60030-	1D2
	2L9 B	11401-69306-	1H1	-61010-	1D2
04483-60050-	2L9	11452-61010-	1I1	13751-61020-	1D2
04491-60030-	2H8	11495-61010-	1H1	13755-61020-	1D2
04493-60160-	2D8	11701-61010-01	1M1	13781-61020-	1D2
04495-60010-	2J8	-61010-02	1M1	13811-61030-	1D2
-60011-	2J8	-61010-03	1A2	13812-61030-	1D2
09114-60050-	1A1	-61010-04	1A2	13801-61020-	1D2
09115-60030-	1A1	-61010-05	1A2	13952-61012-	1D2
09116-35041-	1A1	11704-61010-	1M1	13994-61020-	1D2
09120-60100-	1A1	11705-61010-	1M1	15012-60014-	1E2
09150-60020-	1A1	11802-61010-	1C2	15100-61011-	1E2
09155-44010-	1A1	11804-61010-	1C2	15121-61011-	1E2
09183-00030-	1B1	11805-61010-	1C2	15122-61011-	1E2
-60010-	1B1	12101-61030-	1I1	15125-60013-	1E2
11011-61010-	1M1	12151-61011-	1I1	15126-60013-	1E2
11012-61010-	1M1	12157-10010-	2F5	15131-24010-	1E2
11013-61010-	1M1		2H1	15132-40010-	1E2
11071-61010-01	1M1		2H6	15133-24010-	1E2
-61010-02	1M1	12180-61010-	1G1	15301-60031-	1I1
-61010-03	1M1	12195-71020-	1G1	15403-60020-	1F2
-61010-04	1M1	12204-35040-	1L1	15600-41010-	1G2
-61010-05	1M1	12221-61010-	1L1	15609-61012-	1G2
11072-61010-01	1M1	12261-61060-	1L1	15691-60010-	1G2
-61010-02	1M1	12262-61020-	1L1	15710-61010-	1H2
-61010-03	1M1	12311-61071-	1K1	15770-61010-	1H2
-61010-04	1M1	12361-61030-	1K1	15777-61030-	1H2
-61010-05	1M1	-61031-	1K1	16100-69195-	1I2
11073-61010-01	1M1 A	12371-61040-	1K1	16110-61180-	1I2
-61010-02	1M1 A	-61041-	1K1	16117-61110-	1I2
-61010-03	1M1 P	12511-61060-	1K1	16124-61110-	1I2
-61010-04	1M1 B	-61061-	1K1	16171-61071-	1I2
-61010-05	1M1	13011-61062-	1A2	16173-61070-	1I2
11101-61080-	1F1	13013-61062-	1A2	16198-41050-	1I2
11115-61020-	1F1	13015-61062-	1A2	16210-61140-	1I2
11122-61011-	1F1	13017-61062-	1A2	16259-52010-	1I2
11123-61011-	1F1	13041-35020-0A	1A2	16261-61020-	1K2
11126-61011-	1G1	-35020-0B	1A2	16264-61010-	1K2
11127-61011-	1G1	-35020-0C	1A2	16268-61010-	1K2
11131-61010-	1G1	13101-61031-	1A2	16271-61010-	1I2
11132-61010-	1G1	-61031-01	1A2	16303-61020-	1K2
11135-60010-	1G1	-61031-02	1A2	16304-61030-	1K2
11136-60030-	1G1	-61031-03	1A2	16341-61020-	1K2
11201-61041-	1G1	-61032-01	1A2	16343-61010-	1K2
11213-61020-	1G1	-61032-02	1A2	16360-61015-	1K2
11251-61020-	1H1	-61032-03	1A2	16361-61020-	1K2

NOTICE

FRAME NUMBER AND VEHICLE IDENTIFICATION NUMBER

1. FRAME NUMBER MX62-123456

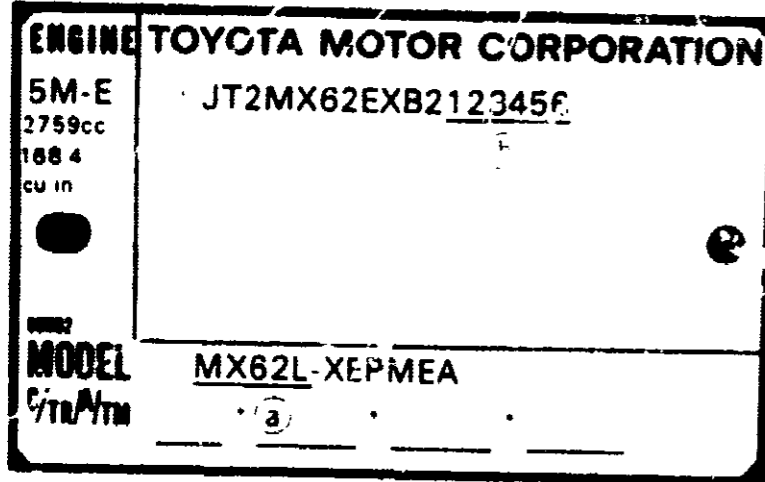
FRAME NUMBER IS GIVEN ON THE DASH COWL IN THE ENGINE ROOM. FUNCTION IN TOYOTA PARTS CATALOG IS LISTED IN THE REVISION REFERENCE CODE LIST TO IDENTIFY

REV. REF. CODE	ENGINE NO. OR FRAME NO.
1	MX62-123456

ENGINEERING CHANGE PERIOD AS BEFORE. SO, IN LOCATING PARTS CATALOG, TAKE A LOOK AT FRAME NUMBER ON CORRESPONDING VEHICLE.

2. NAME PLATE

NAME PLATE IS ATTACHED TO THE DASH COWL IN THE ENGINE ROOM. MODEL COLUMN



INDICATES FULL MODEL CODE. SO, FOR MODEL INFORMATION, REFER TO THE NAME PLATE AS BEFORE.

PROCEDURE TO DETERMINE FRAME NUMBER FROM NAME PLATE IS :

$a + b =$
MX62-123456

3. VEHICLE IDENTIFICATION NUMBER JT2MX62EXB2123456

VEHICLE IDENTIFICATION NUMBER IS GIVEN TO VIN PLATE ON LEFT HAND OF DASH BOARD. CERTIFICATION REGULATION PLATE ON LEFT DOOR PILLAR, AND NAME PLATE.

Starting Frame Number Per Each Assembly Line.
(Production from Aug. '87 up to Jan. '90)

Assembly Line	Toyota Motor Motomachi Plant (A21 ~ A26)
Applicable Model	
FJ62-	074006 ~

LAND CRUISER

REV. REF. CODE	ENGINE NO. OR FRAME NO. OR TRANS. NO.	REV. REF. CODE	ENGINE NO. OR FRAME NO. OR TRANS. NO.	REV. REF. CODE	ENGINE NO. OR FRAME NO. OR TRANS. NO.
2	FJ62-096260				
3	FJ62-096261				



GUIDE TO CONTENTS

1. MODELS COVERED & CHARACTERISTICS	C 15 · D 15	(included in each fiche)
2. MARK & ABBREVIATION	B 16	(included in each fiche)
3. INDEX	I 13 thru M 13	(included in the fiche No. 4 of 4)
ILLUSTRATED INDEX	D 10 thru K 16	(included in each fiche)
FIGURE NUMBER INDEX	L 16 , M 16	(included in each fiche)
4. ILLUSTRATIONS & TEXT	From 1-A1	(included in each fiche)

The contents (illustrations & text) have been divided
into groups by function in the following sequence:

- Engine
- Fuel
- Power Train - Chassis
- Body
- Electrical

5. APPENDICES

PART NAME  LOCATION LIST	A 12 thru H 13	(included in the fiche No. 4 of 4)
PART NUMBER  LOCATION LIST	A 14 thru J 14	(included in each fiche)
REVISION REFERENCE CODE LIST	A 15	(included in each fiche)
PRODUCTION FRAME NUMBER REFERENCE LIST	B 15	(included in each fiche)

Note : SST (Special Service Tools) are not included in this parts catalog.
For related part number information can be noted in SST List, Service Bulletin
and Repair Manual.

PART	NAME	LOCA TION	PART	NAME	LOCA TION
BEARING (FOR ALTERNATOR DRIVE END FRAME)		1E4	BLADE, REAR WIPER		3C10
BEARING (FOR ALTERNATOR ROTOR)		1E4	BLADE, WINDSHIELD WIPER		3A10
BEARING (FOR MAGNET CLUTCH)		3B12	BLOCK ASSY, JUNCTION		3B9
BEARING (FOR REAR AXLE SHAFT)		2I5	BLOCK ASSY, SHORT		1D1
BEARING (FOR STEERING KNUCKLE ARM)		2F9	BLOCK SUB-ASSY, CYLINDER		1H1
BEARING (FOR TRANSFER HIGH SPEED OUTPUT GEAR)		2D4	BLOWER ASSY, HEATER, FRONT		3F11
BEARING (FOR TRANSFER IDLER GEAR)		2D4	BOARD SUB-ASSY, DECK		3G4
BEARING (FOR TRANSFER OUTPUT FRONT SHAFT)		2E4	BOARD SUB-ASSY, FRONT DOOR TRIM, LH		3J4
BEARING (FOR VANE PUMP SHAFT)		2E7	BOARD SUB-ASSY, FRONT DOOR TRIM, RH		3I4
BEARING SET, CAMSHAFT		1C2	BOARD SUB-ASSY, REAR DOOR TRIM, LH		3D5
BEARING SET, CONNECTING ROD		1A2	BOARD SUB-ASSY, REAR DOOR TRIM, RH		3C5
BEARING SET, CRANKSHAFT		1M1	BOARD, QUARTER INSIDE TRIM, LH		3D4
BEARING SUB-ASSY, UNIVERSAL JOINT SPIDER		2L4	BOARD, QUARTER INSIDE TRIM, RH		3D4
BEARING, CONNECTING ROD		1A2	BODY ASSY, FRONT UPPER VALVE		2C3
BEARING, CRANKSHAFT		1M1	BODY ASSY, LOWER VALVE		2B3
BEARING, FRONT AXLE DIFFERENTIAL		2H6	BODY ASSY, REAR UPPER VALVE		2C3
BEARING, NEEDLE ROLLER (FOR POWER STEERING GEAR HOUSING)		2K7	BODY ASSY, THROTTLE		1J4
BEARING, NEEDLE ROLLER (FOR TRANSFER LOW GEAR)		2D4	BODY SUB-ASSY, FR OIL PUMP & GEAR		2E1
BEARING, NEEDLE ROLLER (FOR TRANSFER OUTPUT SHAFT FRONT)		2E4	BODY, BOOSTER CENTER		2G8
BEARING, RADIAL BALL (FOR OUTPUT SHAFT FRONT)		2G2	BODY, BOOSTER VALVE		2G8
BEARING, RADIAL BALL (FOR OUTPUT SHAFT REAR)		2G2	BODY, GOVERNOR		2I2
BEARING, RADIAL BALL (FOR STEERING MAIN SHAFT)		2M6	BOLT (FOR BACKING PLATE TO REAR AXLE HOUSING SETTING)		2J8
BEARING, RADIAL BALL (FOR TRANSFER INPUT GEAR)		2D4	BOLT (FOR BRAKE MASTER CYLINDER)		2D8
BEARING, STARTER ARMATURE		1G4	BOLT (FOR CENTER SUPPORT)		2E2
BEARING, TAPER ROLLER (FOR TRANSFER OUTPUT SHAFT)		2E4	BOLT (FOR CRANKSHAFT BEARING CAP SET)		1H1
BEARING, TAPERED ROLLER (FOR FRONT AXLE DEFFERENTIAL)		2F6	BOLT (FOR CYLINDER HEAD SET)		1F1
BEARING, TAPERED ROLLER (FOR FRONT AXLE INNER BEARING)		2K6	BOLT (FOR DIFFERENTIAL CASE)		2D5
BEARING, TAPERED ROLLER (FOR FRONT AXLE OUTER BEARING)		2L6	BOLT (FOR DRIVE PLATE & TORQUE CONVERTER SETTING)		2E1
BEARING, TAPERED ROLLER (FOR FRONT DRIVE PINION FRONT)		2E6	BOLT (FOR DUST COVER TO STEERING KNUCKLE ARM SETTING)		2I8
BEARING, TAPERED ROLLER (FOR FRONT DRIVE PINION REAR)		2E6	BOLT (FOR FRONT DIFFERENTIAL LOCK SHIFT FORK SHAFT SET)		2G6
BEARING, TAPERED ROLLER (FOR REAR AXLE INNER BEARING)		2J5	BOLT (FOR FRONT OIL PUMP SETTING)		2F1
BEARING, TAPERED ROLLER (FOR REAR AXLE OUTER BEARING)		2J5	BOLT (FOR GOVERNOR BODY)		2I2
BEARING, TAPERED ROLLER (FOR REAR DIFFERENTIAL CASE)		2D5	BOLT (FOR OVERDRIVE CASE & TRANSAXLE CASE SETTING)		2K1
BEARING, TAPERED ROLLER (FOR REAR DRIVE PINION FRONT)		2C5	BOLT (FOR PROPELLER SHAFT & DIFFERENTIAL SETTING)		2K4
BEARING, TAPERED ROLLER (FOR REAR DRIVE PINION REAR)		2C5	BOLT (FOR REAR DIFFERENTIAL CARRIER SET)		2B5
BEARING, THRUST (FOR FRONT CLUTCH HUB)		2A2	BOLT (FOR REAR DIFFERENTIAL LOCK CYLINDER SET)		2E5
BEARING, THRUST (FOR OUTPUT SHAFT)		2H2	BOLT (FOR REAR DIFFERENTIAL LOCK SHIFT FORK SHAFT SET)		2F5
BEARING, THRUST NEEDLE ROLLER (FOR REAR CLUTCH DRUM)		2B2	BOLT (FOR REAR RING GEAR SET)		2C5
BEARING, THRUST NEEDLE ROLLER (FOR STEERING WORM)		2J7	BOLT (FOR ROCKER SUPPORT SET)		1D2
BEARING, THRUST (FOR OVERDRIVE PLANETARY RING GEAR FLANGE)		2L1	BOLT (FOR TRANSFER CASE)		2A4
BEARING, UNIVERSAL JOINT SPIDER (FOR STEERING MAIN SHAFT)		1A7	BOLT (FOR TRANSFER CASE)COVER NO.2		2B4
BEARING, THRUST NEEDLEROLLER (FOR OVERDRIVE PLANETARY GEAR)		2L1	BOLT (FOR TRANSFER OUTPUT SHAFT COMPANION FLANGE)		2A4
BELT ASSY, FRONT SEAT INNER, LH		3H6	BOLT OR PIN (FOR SHIFT LEVER KNOB SETTING)		2A1
BELT ASSY, FRONT SEAT INNER, RH		3H6	BOLT, (FOR FRONT DIFFERENTIAL LOCK CYLINDER SET)		2G6
BELT ASSY, FRONT SEAT OUTER, LH		3H6	BOLT, BACK DOOR STAY		3M5
BELT ASSY, FRONT SEAT OUTER, RH		3H6	BOLT, BATTERY CLAMP		3L6
BELT ASSY, REAR SEAT LAP TYPE, CENTER		3I6	BOLT, BRAKE MASTER CYLINDER RESERVOIR SET		2E8
BELT ASSY, REAR SEAT LAP TYPE, LH		3I4	BOLT, CONNECTING ROD		1A2
BELT ASSY, REAR SEAT LAP TYPE, RH		3I6	BOLT, FRONT DIFFERENTIAL BEARING CAP		2E6
BELT ASSY, REAR SEAT 3 POINT TYPE, INNER, LH		3I6	BOLT, FRONT SPRING, CENTER		2I9
BELT ASSY, REAR SEAT 3 POINT TYPE, INNER, RH		3I6	BOLT, HEXAGON (FOR AIR PUMP BRACKET SETTING)		1H3
BELT ASSY, REAR SEAT 3 POINT TYPE, OUTER, LH		3I6	BOLT, HEXAGON (FOR DRIVE PLATE SETTING)		2E1
BELT ASSY, REAR SEAT 3 POINT TYPE, OUTER, RH		3I6	BOLT, HEXAGON (FOR FRONT DISC BRAKE CALIPER)		2H8
BELT SET, REAR SEAT 3 POINT TYPE, LH		3H6	BOLT, HEXAGON (FOR FRONT RING GEAR SET)		2E6
BELT SET, REAR SEAT 3 POINT TYPE, RH		3H6	BOLT, HUB (FOR FRONT AXLE)		2K6
BELT, V (FOR AIR PUMP)		1A3	BOLT, HUB (FOR REAR AXLE)		2J5
BELT, V (FOR COOLER COMPRESSOR TO CRANKSHAFT PULLEY)		1A3	BOLT, REAR DIFFERENTIAL BEARING CAP		2C5
BELT, V (FOR FAN AND ALTERNATOR)		1A3	BOLT, REAR SPRING, CENTER		2M9
BEZEL, CIGAR LIGHTER HOLE		3C2	BOLT, RETURN SPRING SET		2B7
BEZEL, FRONT DOOR INSIDE HANDLE, LH		3L4	BOLT, ROUND HEXAGON		2E9
BEZEL, FRONT DOOR INSIDE HANDLE, RH		3L4	BOLT, SET (FOR REAR BRAKE DRUM SETTING)		2I5
BEZEL, REAR DOOR INSIDE HANDLE, LH		3F5	BOLT, STEERING LOCK SET		2B7
BEZEL, REAR DOOR INSIDE HANDLE, RH		3F5	BOLT, STUD (FOR FRONT DIFFERENTIAL CARRIER)		2E6
BLADE ASSY, REAR WIPER		3C10	BOLT, STUD (FOR MANIFOLD TO CYLINDER HEAD)		1C3
BLADE ASSY, WINDSHIELD WIPER		3A10	BOLT, STUD (FOR MANIFOLD TO EXHAUST PIPE)		1C3

PART	NAME	LOCATION	PART	NAME	LOCATION
RAIL, ROOF SIDE INNER, LH		3H3	RESERVOIR ASSY, VANE PUMP OIL		2F7
RAIL, ROOF SIDE, INNER RH		3H3	RESERVOIR SUB-ASSY, BRAKE MASTER CYLINDER		2D8
RAIL, ROOF SIDE, OUTER LH		3H3	RESISTOR, HEATER BLOWER		3F11
RAIL, ROOF SIDE, OUTER RH		3H3	RETAINER		1H4
RECEIVER AND DRYER ASSY, COOLER		3M11	RETAINER (FOR FRONT DOOR TRIM BOARD)		3J4
RECEIVER ASSY, RADIO		3K10	RETAINER (FOR LOAD SENSING SPRING SHACKLE)		2D9
RECEIVER, TRANSFER OIL (FOR TRANSFER IDLER GEAR)		2D4	RETAINER (FOR REAR DOOR TRIM BOARD)		3D5
RECEIVER, TRANSFER OIL, NO.1		2B4	RETAINER SUB-ASSY, FRONT ASH RECEPTACLE		3A7
RECEIVER, TRANSFER OIL, NO.2		2B4	RETAINER SUB-ASSY, ROOF SIDE VENT LOUVER		3A4
RECEPTACLE ASSY, REAR ASH		3A7	RETAINER, BACK DOOR LOCK CYLINDER		3B6
RECTIFIER ASSY, W/BRUSH		1F4	RETAINER, BOOSTER PUSH ROD SEAL		2G8
REED, DISCHARGE VALVE		3C12	RETAINER, CABLE		2B8
REED, SUCTION VALVE		3C12	RETAINER, CENTER SUPPORT RING		2E2
REGISTER ASSY, INSTRUMENT PANEL, NO.1		3J2	RETAINER, CONSOLE BOX		3F3
REGISTER ASSY, INSTRUMENT PANEL, NO.2		3D2	RETAINER, CUSHION, NO.1 (FOR FRONT SHOCK ABSORBER)		219
REGISTER ASSY, INSTRUMENT PANEL, NO.3		3D2	RETAINER, CUSHION, NO.1 (FOR FRONT STABILIZER BAR)		2J9
REGULATOR ASSY, FUEL PRESSURE		1K4	RETAINER, CUSHION, NO.2 (FOR FRONT SHOCK ABSORBER)		219
REGULATOR ASSY, GENERATOR		1F4	RETAINER, CUSHION, NO.2 (FOR FRONT STABILIZER BAR)		2J9
REGULATOR SUB-ASSY, FRONT DOOR WINDOW, LH		2A5	RETAINER, DIFFERENTIAL LOCK LEVER SUPPORT		3J2
REGULATOR SUB-ASSY, FRONT DOOR WINDOW, RH		2A5	RETAINER, EXHAUST PIPE, NO.2		1E3
REGULATOR SUB-ASSY, REAR DOOR WINDOW, LH		3A5	RETAINER, FRONT DIFFERENTIAL LOCK SPRING		2G6
REGULATOR SUB-ASSY, REAR DOOR WINDOW, RH		3A5	RETAINER, FRONT DOOR WEATHERSTRIP, LH		3J4
REINFORCE, TILT STEERING SUPPORT, NO.1		2B7	RETAINER, FRONT DOOR WEATHERSTRIP, RH		3J4
REINFORCEMENT SUB-ASSY, BELT ANCHOR		3M2	RETAINER, FUEL FILLER LID CYLINDER		3B6
REINFORCEMENT SUB-ASSY, CENTER FLOOR PANEL, LH		3J2	RETAINER, OUTER REAR VIEW MIRROR		314
REINFORCEMENT SUB-ASSY, CENTER FLOOR PANEL, RH		3J2	RETAINER, OUTPUT SHAFT BEARING, FRONT		2B4
REINFORCEMENT SUB-ASSY, QUARTER LOCK PILLAR, LH		3H3	RETAINER, OUTPUT SHAFT BEARING, REAR NO.1		2B4
REINFORCEMENT SUB-ASSY, QUARTER LOCK PILLAR, RH		3H3	RETAINER, OVERDRIVE CASE RING		2M1
REINFORCEMENT, BACK DOOR OPENING SIDE, LH		3J3	RETAINER, REAR ASH RECEPTACLE		3A7
REINFORCEMENT, BACK DOOR OPENING SIDE, RH		313	RETAINER, REAR ASH RECEPTACLE, INNER RH		3A7
REINFORCEMENT, BACK DOOR OPENING, LOWER LH		3J3	RETAINER, REAR DIFFERENTIAL LOCK SPRING		2F5
REINFORCEMENT, BACK DOOR OPENING, LOWER RH		3J3	RETAINER, REAR DOOR WEATHERSTRIP, LH		3D5
REINFORCEMENT, DUST COVER, LH		218	RETAINER, REAR DOOR WEATHERSTRIP, RH		3D5
REINFORCEMENT, DUST COVER, RH		218	RETAINER, REAR HOOK		3C1
REINFORCEMENT, FRONT CROSSMEMBER, LOWER LH		3A1	RETAINER, REAR SPRING PAD		2M9
REINFORCEMENT, FRONT CROSSMEMBER, LOWER RH		3A1	RETAINER, ROOF CARRIER, NO.1 LH		3M3
REINFORCEMENT, FRONT FLOOR TO BRACE		3J2	RETAINER, ROOF CARRIER, NO.1 RH		3M3
REINFORCEMENT, FRONT FLOOR UNDER		3J2	RETAINER, ROOF CARRIER, NO.2		3M3
REINFORCEMENT, FRONT FLOOR, CENTER		3J2	RETAINER, ROOF HEADLINING SUPPORT		3F4
REINFORCEMENT, FRONT FLOOR, NO.2 LH		3J2	RETAINER, ROPE HOOK		3M2
REINFORCEMENT, FRONT FLOOR, NO.2 RH		3J2	RETAINER, TILT LEVER		2B7
REINFORCEMENT, PARKING BRAKE BASE		3J2	RETAINER, VALVE SPRING		1D2
REINFORCEMENT, REAR BUMPER BAR, CENTER		3H1	RHEOSTAT, LIGHT CONTROL		319
REINFORCEMENT, REAR SEAT CUSHION HINGE, LH		3K2	RING (FOR ACCUMULATOR PISTON NO.2)		2B3
REINFORCEMENT, REAR SEAT CUSHION HINGE, RH		3J2	RING (FOR BRAKE MASTER CYLINDER RESERVOIR, NO.2)		2D8
REINFORCEMENT, REAR SEAT CUSHION LOCK		3J2	RING (FOR GOVERNOR BODY SUPPORT)		2J2
REINFORCEMENT, ROOF PANEL, NO.1		3L3	RING (FOR POWER PISTON NUT)		2K7
REINFORCEMENT, ROOF PANEL, NO.2		3L3	RING (FOR POWER STEERING GEAR HOUSING)		2K7
REINFORCEMENT, ROOF PANEL, NO.3		3L3	RING (FOR STEERING MAIN SHAFT)		2M6
REINFORCEMENT, SIDE RAIL FRONT HOOK		3C1	RING (FOR STEERING WORM)		2J7
REINFORCEMENT, WINDSHIELD HEADER PANEL		3L3	RING (FOR VALVE HOUSING)		2J7
RELAY ASSY (FOR HEATER BLOWER MOTOR)		3J9	RING O (FOR REAR DIFFERENTIAL LOCK CYLINDER)		2E5
RELAY ASSY, CHARGE LAMP		3H9	RING SET, PISTON		1A2
RELAY ASSY, CIRCUIT OPENING (FOR E.F.I.)		3L9	RING, BACK DOOR KEY CYLINDER LEVER		3B6
RELAY ASSY, DOOR CONTROL		3K9	RING, CAM (FOR VANE PUMP)		2E7
RELAY ASSY, HEADLAMP CLEANER CONTROL		3G10	RING, CLUTCH DRUM OIL SEAL		2F1
RELAY ASSY, POWER WINDOW		3K9	RING, CLUTCH DRUM OIL SEAL (FOR OVERDRIVE)		2M1
RELAY ASSY, WINDSHIELD WIPER		3K9	RING, COMPRESSOR SEAL PLATE SNAP		3C12
RELAY, COMPUTER (FOR EFI)		3L9	RING, DISTRIBUTOR HOUSING O		1D4
RELAY, COOLING FAN		3K9	RING, DRIVE SHAFT SNAP		2K6
RELAY, FRONT DRIVE		3J9	RING, E (FOR GOVERNOR VALVE SHAFT)		2J2
RELAY, IGNITION		3H9	RING, E (FOR PRIMARY REGULATOR VALVE)		2B3
RELAY, LIGHT CONTROL		3J9	RING, E (FOR PRIMARY THROTTLE VALVE)		2E3
RELAY, SEAT BELT WARNING		3K9	RING, E (FOR REAR BRAKE)		2K8
REPLACER, WHEEL CAP		1B1	RING, E (FOR SECONDARY THROTTLE VALVE)		2F3

PART NUMBER	LOCATION	PART NUMBER	LOCATION	PART NUMBER	LOCATION	PART NUMBER	LOCATION	PART NUMBER	LOCATION	PART NUMBER	LOCATION
16363-61020-	1K2	B 17791-61070-	1A4	25870-61020-	1M4	33502-60040-	2A1	35222-60010-	2A3	35481-36012-	2J2
16381-61050-	1K2	17792-61120-	1A4	27060-61090-	1E4	33503-60020-	2A1	35223-36010-	2A3	35482-60020-	2J2
16384-61010-	1K2	17801-68020-	1F3	27212-39050-	1E4	33511-60060-	2A1	35226-36010-	2A3	35483-60010-	2J2
16400-61140-	1K2	17810-61010-	1M3	27310-72070-	1E4	33542-30110-01	2A1	-36011-	2A3	35484-60011-	2J2
16401-71010-	1L2	17841-68010-	1F3	27312-45010-	1E4	-30110-36	2A1	35231-36010-	2A3	35485-60010-	2J2
16405-61030-	1L2	17845-61011-	1F3	27330-72070-	1E4	33555-60040-	2A1	35303-60010-	2A3	35486-36010-	2J2
-90A00-	1L2	17881-61090-	1F3	27351-38051-	1E4	33623-30040-56	2A1	35308-36010-	2F1	35487-36010-	2J2
16417-24200-	1L2	17882-61070-	1F3	27359-61190-	1F4	33625-22020-	2B1	35313-36010-	2F1	35488-60010-	2F3
16418-24200-	1L2	17883-61020-	1G3	27362-72070-	1F4	33631-60020-	2B1	35321-36010-	2F1	35489-36010-	2G3
16480-90A00-	1L2	A 18450-61010-	1E3	27371-31011-	1F4	33711-60040-	2B1	-36020-	2F1	35491-36010-	2J3
16571-61110-	1L2	-61040-	1E3	27372-31011-	1F4	33723-22010-	2B1	35322-36010-	2F1	35492-36010-	2G3
16572-61020-	1L2	18495-38020-	1E3	27410-72070-	1F4	33789-36010-	2B6	-36020-	2F1	35495-36010-	2F1
16573-61040-	1L2	P 19000-61350-	1C1	27411-61210-	1F4	34101-60010-	2K1	35339-36010-	2A3	35497-36010-	2G3
16577-61130-	1L2	N -61351-	1C1	27412-45012-	1F4	34421-36010-	2M2	35394-36011-	2I1	35498-36010-	2G3
16582-61010-	1L2	19100-61240-	1D4	27441-45050-	1F4	34601-36010-	2K1	35395-36010-	2I2	35501-36010-	2J3
16583-61010-	1L2	19101-61240-	1D4	27700-63030-	1F4	34602-36010-	2K1	35396-36010-	2A3	35505-36010-	2J3
16584-61010-	1L2	19102-61240-	1D4	27790-13010-	3H9	34613-36010-	2L1	35405-36010-	2A3	-36020-	2J3
16585-61010-	1M2	19114-61040-	1D4	28011-26042-	1G4	34710-36010-	2L1	35408-36010-	2A3	35519-60030-	3M6
16586-61010-	1M2	19115-50010-	1D4	28100-60070-	1G4	34713-36010-	2L1	35409-36010-	2B3	35520-60050-	2J3
16611-61020-	1M2	19127-61240-	1D4	28110-60070-	1G4	34731-36010-	2L1	35415-36010-	2B3	35556-60010-	2J3
16630-61020-	1K1	19195-61240-	1D4	28120-26071-	1G4	34732-36010-	2L1	35416-36010-	2B3	35557-36010-	2J3
16711-61240-	1M2	19242-61240-	1D4	28130-34060-	1G4	34737-36010-	2L1	35417-36010-	2B3	35560-36011-	2G3
-61241-	1M2	19519-38030-	1B4	28140-26070-	1G4	34738-36010-	2L1	35418-36010-	2B3	35561-60010-	2J3
A 16793-61011-	1A4	22202-61011-	1J4	28150-34080-	1G4	35000-60162-	2D1	35419-36010-	2B3	35569-60040-	2B1
17109-61010-	1C3	22210-61010-	1J4	28160-26070-	1G4	-60163-	2D1	35420-60030-	2B3	35572-60020-	2J3
17111-61040-	1C3	22216-74010-	1J4	28165-26040-	1H4	35013-60011-	2G1	35422-22010-	2B3	35589-36010-	2G3
17118-61030-	1C3	22233-61010-	1J4	28228-26040-	1H4	35015-60010-	2G1	-36010-	2B3	35595-36010-	2J3
17123-61010-	1C3	22250-61010-	1G3	28229-26040-	1H4	-60011-	2G1	35423-36010-	2B3	35599-36010-	2H3
17125-61010-	1C3	22270-61010-	1J4	28253-45020-	1G4	35017-60010-	2G1	35424-36010-	2B3	35602-36011-	2A2
17139-61010-	1C3	22271-61010-	1K4	28254-45020-	1H4	35019-60010-	2G1	35425-22010-	2C3	35606-36010-	2A2
17141-61080-	1C3	22275-43010-	1G3	28800-61030-	3K8	35035-36010-	2E1	-36010-	2C3	35608-36010-	2D2
17142-61050-	1C3	22278-43011-	1K4	28897-38010-	3K8	35068-36010-	2F2	35427-36010-	2F1		2K1
17187-61070-	1C3	23091-61010-	1K4	28898-26010-	3K8	35073-60010-	2G2	35428-60020-	2C3	35615-36010-	2A2
17168-61030-	1C3	23206-61010-	1K4	31478-30010-	2H8	35103-60011-	2G1	35429-36010-	2C3		
17169-61040-	1C3	23207-74010-	1K4		2K8	-60012-	2G1	35430-60090-	2C3	35617-36010-	
17172-61060-	1C3	23209-61010-	1K4	P 32000-60030-	2F1	-60011-	2G1	35432-60030-	2C3	-36020-	
17178-61010-	1C3	23217-35040-	1K4	B -60031-	2E1		2G1	-60040-	2B1		
17301-61010-	1I3	-35081-	1K4	-60040-	2E1	35106-60041-	2H1	35433-36010-	2C3	35621-36010-	2D2
17303-61020-	1M3	P 23220-16083-	1K4	P 32101-60010-	2E1	-60043-	2H1	35434-36010-	2C3		
17306-61030-	1J3	-16190-	1K4	B -60011-	2E1	35111-60010-	2H1	35435-36011-	2C3	35623-36010-	2F2
17314-61040-	1H3	23229-16010-	1K4	P 32116-60010-	2E1	35112-36010-	2M2	35436-36011-	2C3	35631-36010-	2A2
17317-61020-	1K2	23232-28010-	1K4	B -60011-	2E1	35113-36010-	2M2	35437-36011-	2C3	35632-36010-	2D2
17318-61060-	1H3	23239-16010-	1K4	P 32117-60010-	2E1	35114-36010-	2M2	35438-60020-	2C3		
17341-61030-	1I3	23249-74150-	1K4	B -60011-	2E1	35115-36010-	2M2	35440-60011-	2C3	-36020-	2M1
17342-61040-	1I3	23260-69025-	1K4	32904-60012-	2K3	35116-60010-	2H1	35444-36010-	2C3	35633-36010-	2F2
17343-61030-	1I3	23280-61010-	1K4	32905-60012-	2K3	35117-60010-	2H1	35445-36010-	2D3		
17344-61020-	1I3	23291-73010-	1L4	32906-60012-	2K3	35118-60010-	2H1	35451-36010-	2D3	-36020-	2B2
17353-61010-	1J3	23293-74010-	1L4	32923-36010-	2K3	35136-60010-	2H1	35452-36010-	2D3		2M1
17401-61210-	1E3	23300-69025-	1L4	32924-60011-	2K3	35138-60010-	2H1	35454-36010-	2D3	-36030-	2F2
17402-61010-	1E3	23801-61030-	1L4	32925-60030-	2K3	35143-36010-	2H1	35455-36010-	2D3	35634-36010-	2B2
17403-61110-	1E3	23802-61040-	1L4	32926-30020-	2L3	35144-36010-	2H1	35456-36010-	2E3		2M1
17405-61240-	1E3	23803-61010-	1L4	32928-60011-	2L3	35146-36010-	2I2	35458-36010-	2E3	-36020-	2B2
17502-61021-	1E3	23807-61010-	1L4	32942-60010-	2L3	P 35167-60011-	2H1	35459-36010-	2E3	-36040-	2B2
17567-61030-	1E3	25611-61050-	1M4	-60030-	2L3	-60012-	2H1	35462-36010-	2E3	-36050-	2B2
17571-61160-	1E3	25620-61110-	1M4	32943-60010-	2L3	35168-36010-	2I1	35463-36010-	2E3	35651-36010-	2B2
17572-61051-	1E3	25627-61010-	1M4	33309-60041-	2A4	35182-36010-	2H1	35464-36011-	2E3	35654-36010-	2B2
17573-61051-	1E3	25631-61040-	1M4	-60070-	2A4	35211-36010-	2M2	35466-60010-	2E3	35671-36010-	2F2
17574-61050-	1E3	25691-61020-	1A5	33325-60010-	2A4	-36011-	2M2	35467-36010-	2F3	35672-36010-	2B2
-61071-	1E3	25695-61010-	1M4	-60021-	2A4	35212-36010-	2A3	35468-36011-	2F3	35675-36010-	2B2
17610-61040-	1H3	25702-61010-	1M3	A 33403-69195-	2J1	35213-36010-	2A3	35472-36011-	2F3		2L1
17692-61020-	1M3	25710-61030-	1J3	33404-30040-	2J1	35215-36010-	2A3	35476-36010-	2F3	-36020-	2B2
17700-61230	1F3	25716-61020-	1J3	33481-60050-	2D4	35216-36010-	2A3	35477-30030-	2F3	-36030-	2B2
17705-61130-	1F3	25920-13020-	1M3	-60051-	2D4	35219-60010-	2A3	35479-36010-	2F3	-36040-	2B2
P 17791-61023-	1A4	25860-61010-	1M3	33485-30020-	2J1	-60011-	2A3	35481-36011-	2I2	35676-36010-	2D2

B15

**LAND CRUISER Station Wagon U. S. A.
PRODUCTION FRAME NUMBER REFERENCE LIST**

Applicable Model	Production Date	8701	8702	8703	8704	8705	8706	8707	8708	8709	8710	8711	8712
	Assembly Line												
FJ62	TMC Honsya Plant								074038	075378	0077221	0079169	0081050

Applicable Model	Production Date	8801	8802	8803	8804	8805	8806	8807	8808	8809	8810	8811	8812
	Assembly Line												
FJ62	TMC Honsya Plant	0083764	0086005	0088379	0090618	0092239	0093499	0094861	0096292	0097372	0098711	0100682	0102775

Applicable Model	Production Date	8901	8902	8903	8904	8905	8906	8907	8908	8909	8910	8911	8912
	Assembly Line												
FJ62	TMC Honsya Plant	0104336	0105666	0107184	0109036	0110721	0111941	0113601	0115125	0116480	0117954	0119300	0120955

MARK & ABBREVIATION LIST

B16

(1) Abbreviations Under Heading MODELS in Text

Heading	Mark	Definition
MODELS	..	Among
	,	And
	+	And (Plus)
	-	Excluded (minus)
	#	All series

(2) Abbreviations Under Heading R/P and QTY in Text

Heading	Mark	Definition
R/P	#	Old parts number (Old)
	X	Modified old parts number which has been substituted by a multiple of parts and/or if substituted parts are specified by applicable models or other determining specifications, refer to SUBSTITUTE SUPPLY PARTS LIST (S.S.P.L.) for detailed information. (Old)
	∩	New main part number of set substitution (New)
	.	Part number to be attached to main part (New)
	X	Number of previously supplied but currently non-supplied parts
QTY	33	Required quantity
	X	Required quantity
	Y	More than 100 units
DESCRIPTION	X 7. X	Number of old type parts, the supply of which will be discontinued after the lapse of a certain period
	(TRIM ●)	Trim code whose third digit is ●

(3) CHANGES TO TEXT & APPENDICES

Certain codes are used to indicate changes to the text and/or appendix. These codes appear in the marginal area of the affected page as follows:

CODE	LOCATION	EXPLANATION
C	Text	Changes of Parts Number, Model and Production Date.
B		Date with a changed part number
A		Date with a changed application model
P		Date with a changed year system (beginning end)
N	Text & Appendix	Newly available Toyota Part Number.
S	Text & Appendix	Part application expanded to include other vehicle model(s).

PART	NAME	LOCATION
BOLT, STUD (FOR OUTER SHAFT FLANGE)		2K6
BOLT, STUD (FOR REAR AXLE HUB)		215
BOLT, STUD (FOR ROCKER SUPPORT)		1D2
BOLT, STUD (FOR STEERING SET)		2E9
BOLT, STUD (FOR VALVE PUSH ROD COVER)		1H1
BOLT, STUD (FOR WATER PUMP COUPLING)		112
BOLT, U (FOR FRONT SPRING)		219
BOLT, U (FOR REAR SPRING)		2L9
BOLT, UNION		1L4
BOLT, UNION (FOR FUEL FILTER)		1L4
BOLT, UNION (FOR OIL COOLER)		1H2
BOLT, UNION (FOR OIL PUMP OUTLET PIPE)		1F2
BOOSTER ASSY, BRAKE		2G8
BOOSTER KIT, BRAKE		2G8
BOOT, FRONT DIFFERENTIAL LOCK CYLINDER		2H6
BOOT, MASTER CYLINDER		2E8
BOOT, MASTER CYLINDER NO.1		2E8
BOOT, REAR BRAKE BELLCRANK, LH		2L8
BOOT, REAR BRAKE BELLCRANK, RH		2L8
BOOT, REAR DIFFERENTIAL LOCK CYLINDER		2F5
BOOT, SHIFT LEVER		2A1
BOOT, TRANSFER SHIFT LEVER		3K2
BOX ASSY, CONSOLE, REAR		3E3
BOX SUB-ASSY, FRONT ASH RECEPTACLE		3A7
BOX, FUEL INLET		313
BOX, SPEAKER		3M10
BRACE, HOOD LOCK SUPPORT		3A2
BRACE, INSTRUMENT PANEL TO COWL, NO.2		3C2
BRACE, INSTRUMENT PANEL TO COWL, NO.3		3C2
BRACE, INSTRUMENT PANEL TO FLOOR		3C2
BRACE, INSTRUMENT PANEL, NO.1		3C2
BRACKET ASSY, STEERING COLUMN, UPPER		2A7
BRACKET SUB-ASSY, BREAK AWAY W/CAPSULE		2M6
BRACKET SUB-ASSY, CAB MOUNTING, NO.1, LH		3B1
BRACKET SUB-ASSY, CAB MOUNTING, NO.1, RH		3B1
BRACKET SUB-ASSY, CAB MOUNTING, NO.2, LH		1B1
BRACKET SUB-ASSY, CAB MOUNTING, NO.2, RH		1B1
BRACKET SUB-ASSY, CAB MOUNTING, NO.3		391
BRACKET SUB-ASSY, CAB MOUNTING, NO.4		311
BRACKET SUB-ASSY, CATALYTIC CONVERTER, FRONT		113
BRACKET SUB-ASSY, ENGINE FRONT MOUNTING, LH		3E1
BRACKET SUB-ASSY, ENGINE FRONT MOUNTING, RH		3B1
BRACKET SUB-ASSY, OIL FILTER		1G1
BRACKET SUB-ASSY, REAR SEAT BACK HOLDER		3E1
BRACKET SUB-ASSY, REAR SEAT CUSHION HOLDER		3D1
BRACKET SUB-ASSY, SPEAKER		3M10
BRACKET SUB-ASSY, SPRING, NO.1		219
BRACKET, ACCELERATOR CONTROL CABLE		3M7
BRACKET, ACCELERATOR PEDAL STOPPER		3J2
BRACKET, AIR PUMP		1H3
BRACKET, AIR SWITCHING VALVE		1J3
BRACKET, ALTERNATOR, NO.1		1K1
BRACKET, BODY REAR END MOUNTING		3B1
BRACKET, BOX SUPPORT		3E3
BRACKET, CABLE SUPPORT		2B8
BRACKET, CATALYTIC CONVERTOR SUPPORT		1E3
BRACKET, CENTER FLOOR HEAT INSULATOR, NO.1		3A3
BRACKET, CHARCOAL CANISTER BASE		3K7
BRACKET, COMPRESSOR MOUNTING, NO.1		3C12
BRACKET, CONSOLE BOX MOUNTING, NO.2		3F3
BRACKET, CONSOLE BOX MOUNTING, NO.3		3F3
BRACKET, COOLER CONDENSER, NO.1		3J3
BRACKET, DECK BOARD, REAR		3G4
BRACKET, DIFFERENTIAL LOCK		2A6
BRACKET, DIFFERENTIAL LOCK CABLE		2B6

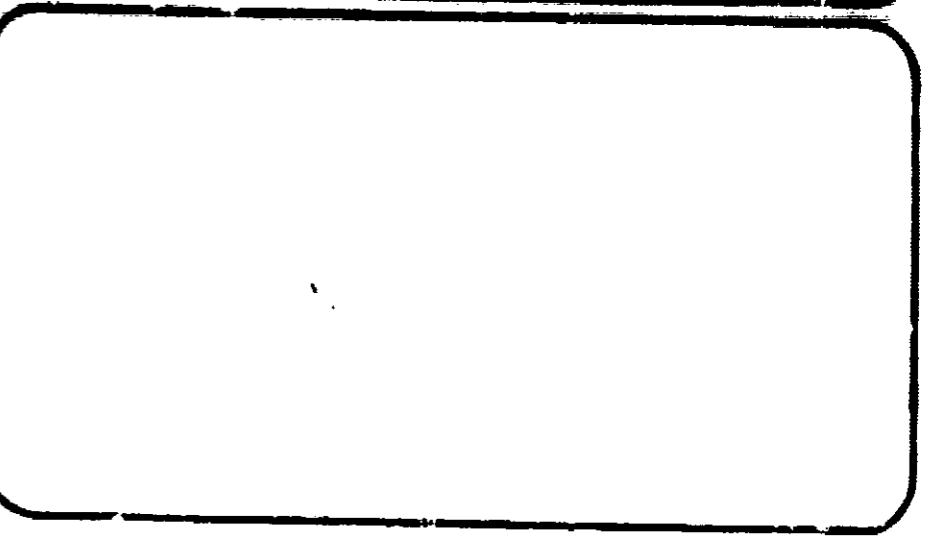
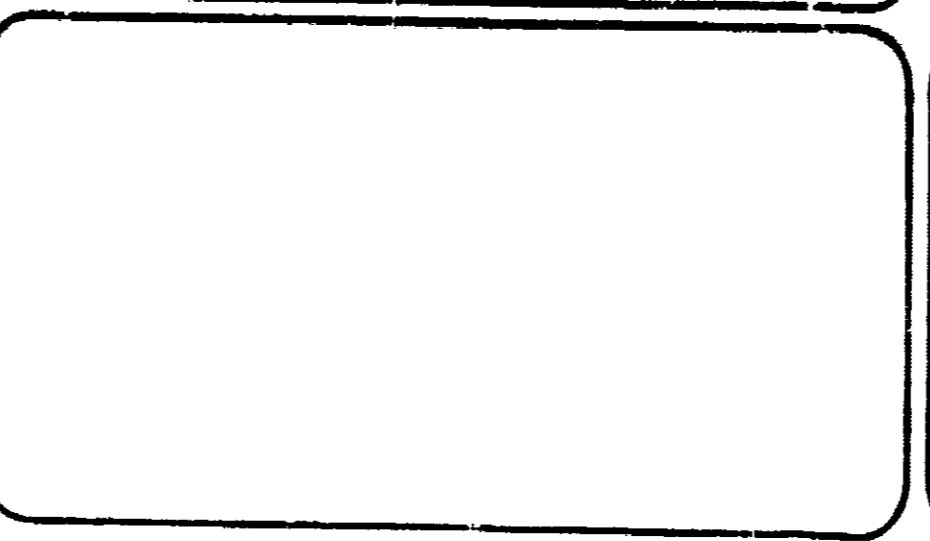
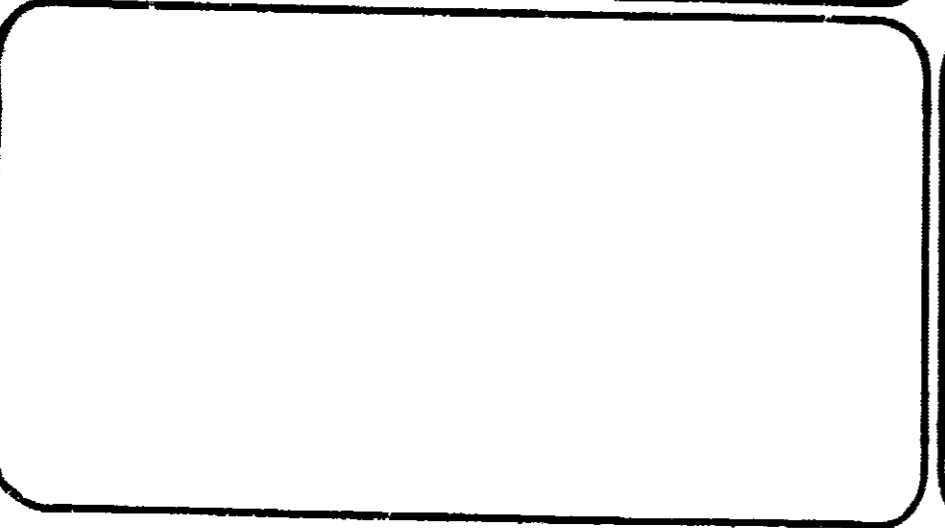
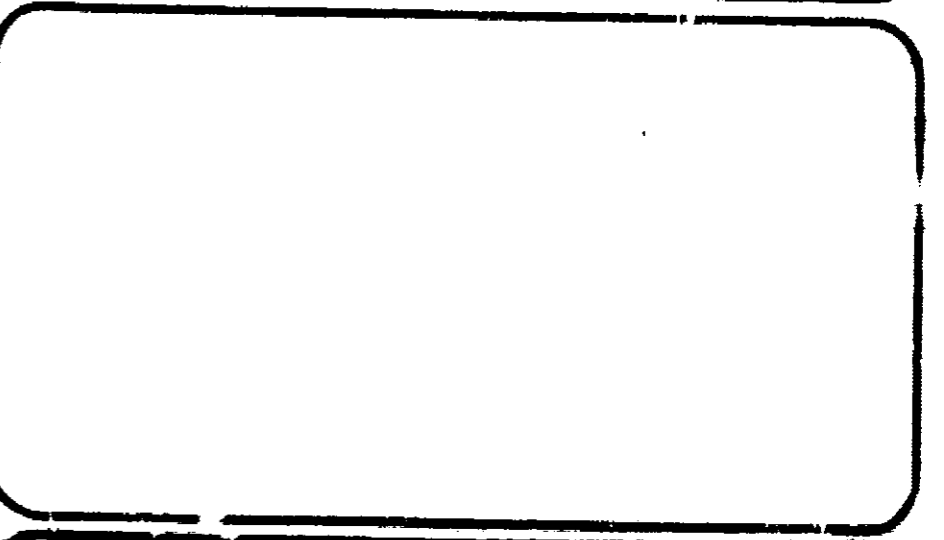
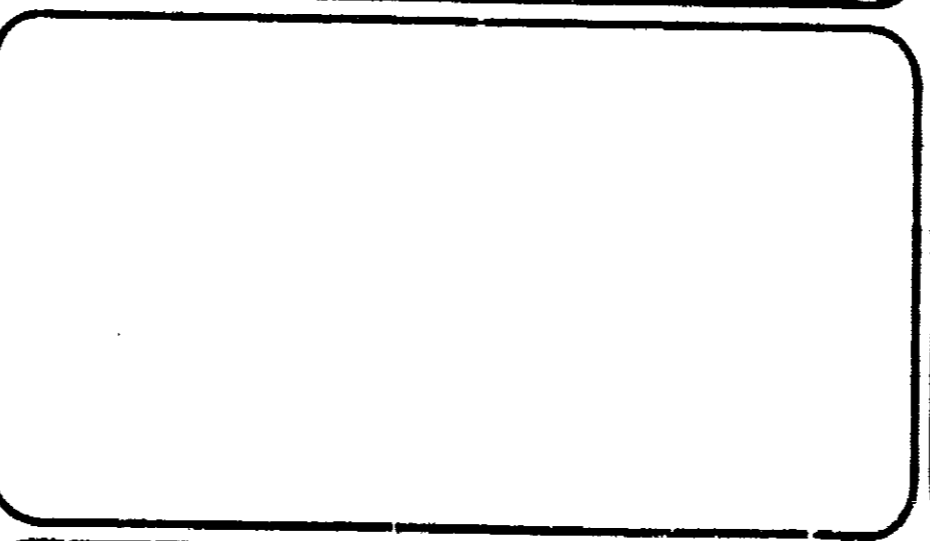
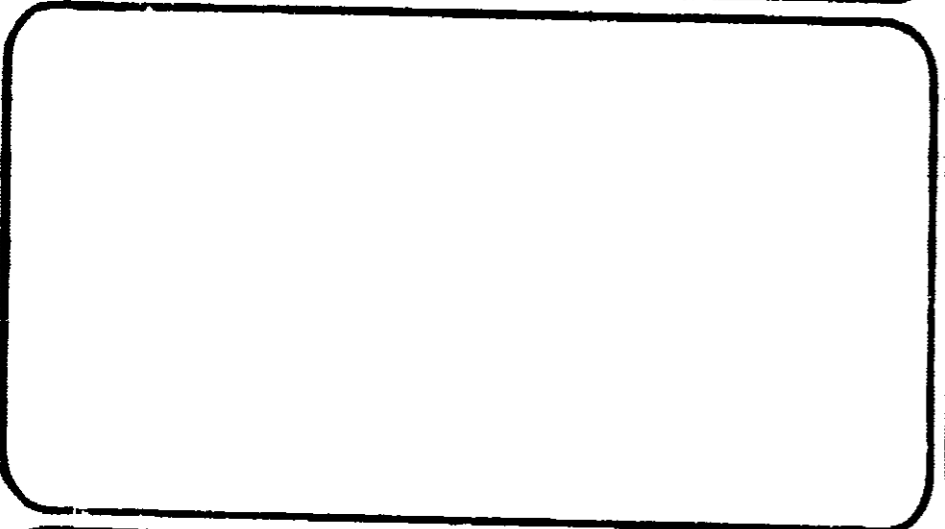
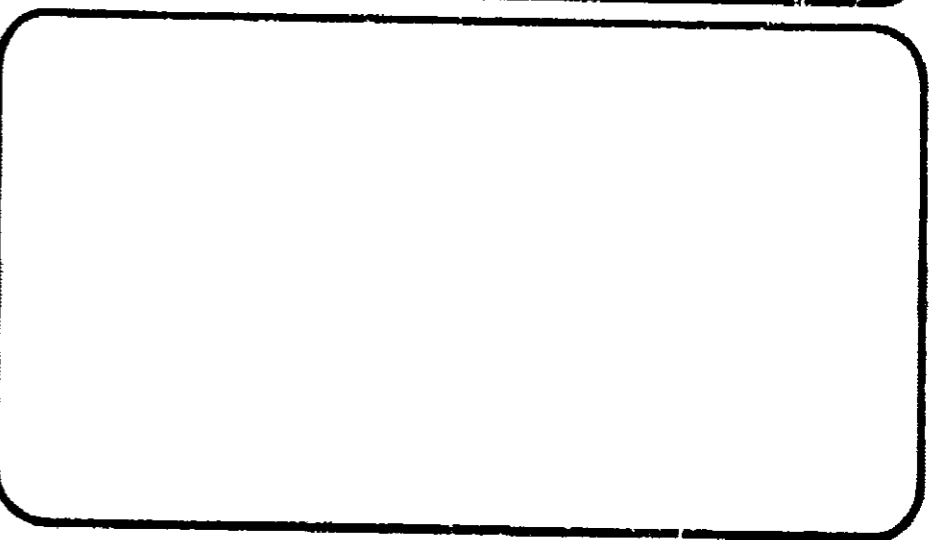
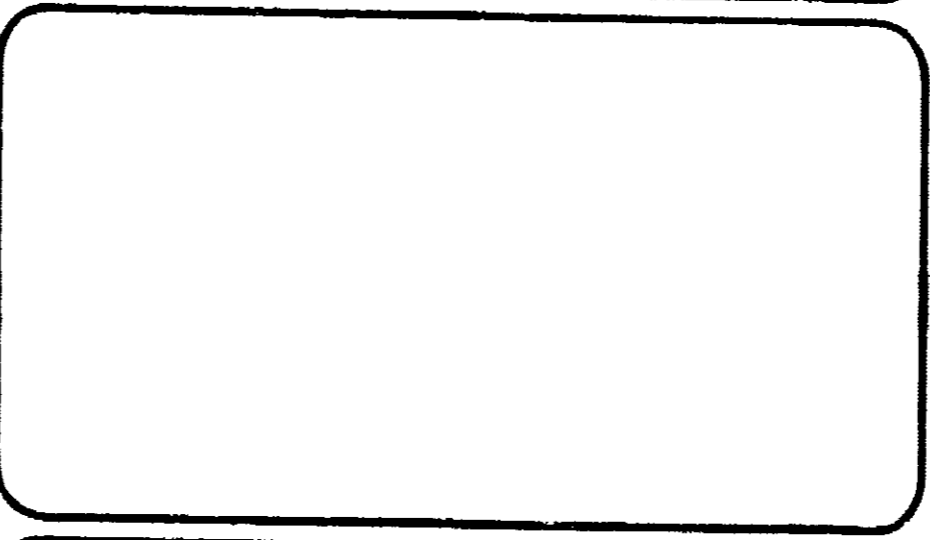
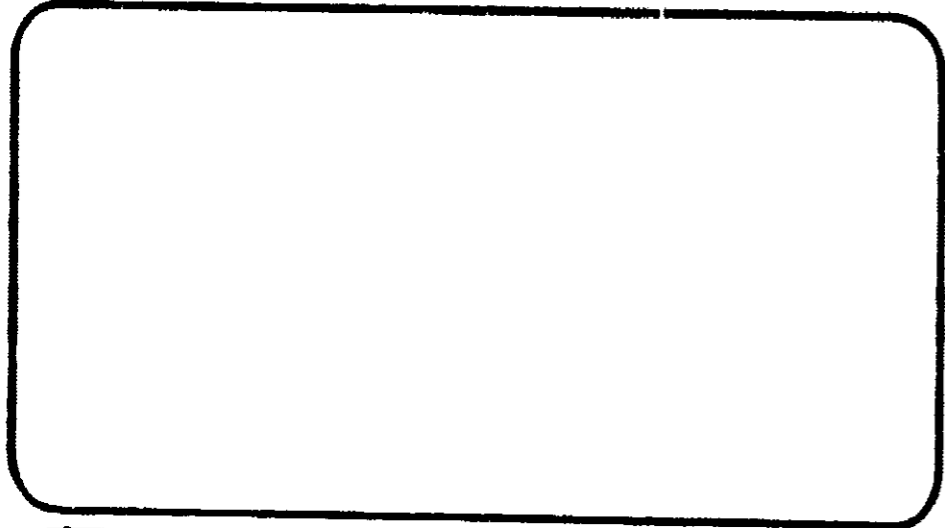
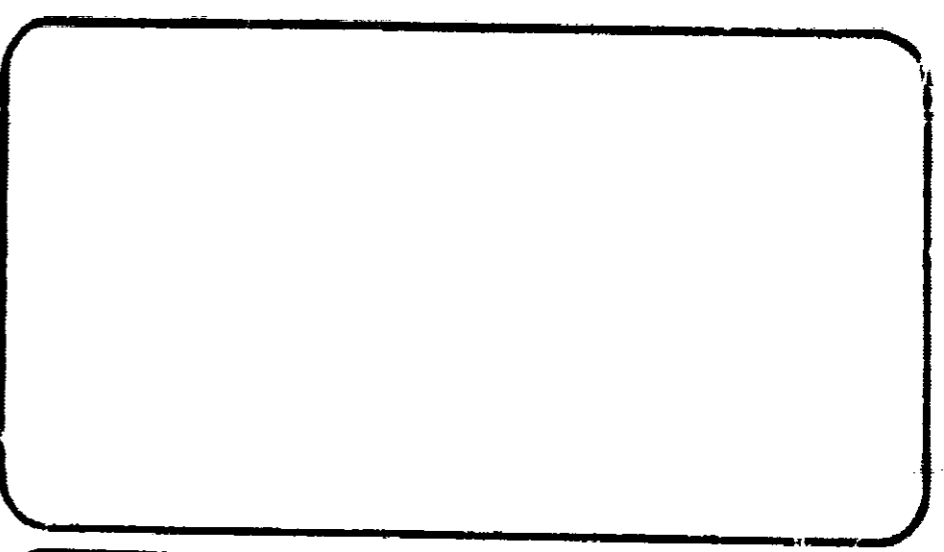
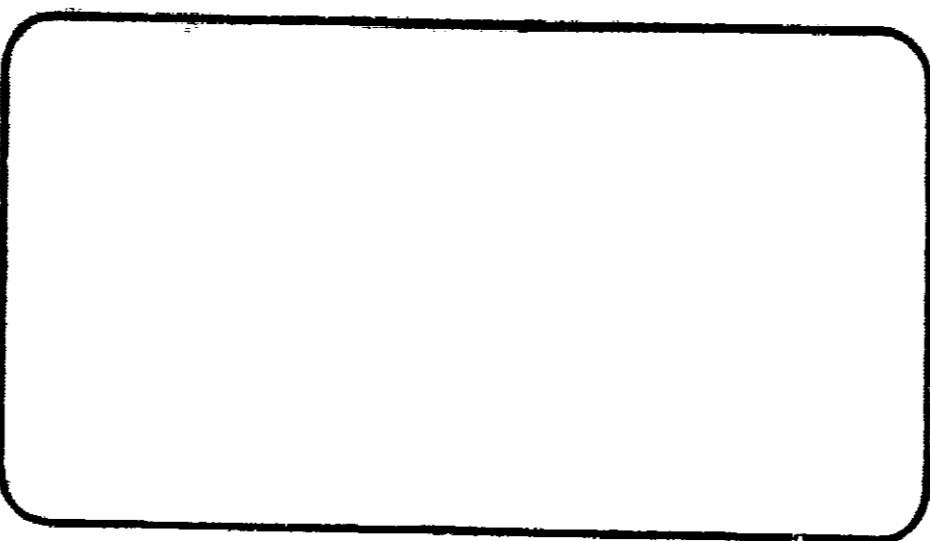
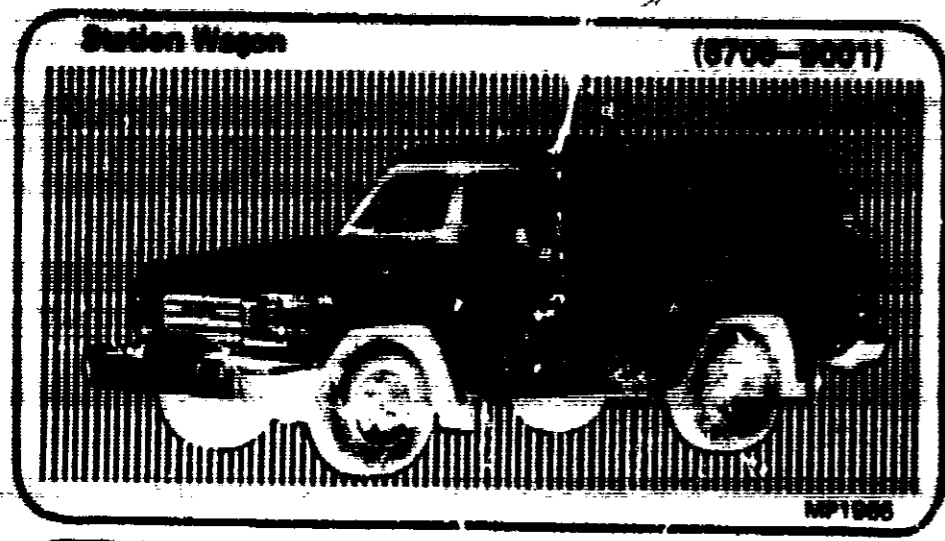
PART	NAME	LOCATION
BRACKET, DIFFERENTIAL LOCK CONTROL, FRONT NO.1		2B6
BRACKET, DIFFERENTIAL LOCK CONTROL, FRONT NO.2		2B6
BRACKET, DIFFERENTIAL LOCK CONTROL, REAR NO.1		2B6
BRACKET, EGR VACUUM MODULATOR		1A5
BRACKET, ENGINE CONTROL COMPUTER		3M9
BRACKET, ENGINE CONTROL COMPUTER, NO.2		3M9
BRACKET, ENGINE CONTROL COMPUTER, NO.3		3M9
BRACKET, ENGINE MOUNTING, FRONT NO.1 RH		1K1
BRACKET, EXHAUST PIPE NO.1 SUPPORT		1E3
BRACKET, EXHAUST PIPE SUPPORT, NO.2		1E3
BRACKET, FAN BELT ADJUSTING BAR		1K2
BRACKET, FLEXIBLE HOSE, NO.5		2C9
BRACKET, FRONT FLEXIBLE HOSE		2C9
BRACKET, FRONT FLOOR HARNESS		3A3
BRACKET, FRONT INNER SEAT TRACK, LOWER FRONT LH		3G6
BRACKET, FRONT INNER SEAT TRACK, LOWER FRONT RH		3F6
BRACKET, FRONT SEAT, REAR		3J2
BRACKET, FRONT SHOCK ABSORBER, UPPER LH		219
BRACKET, FRONT SHOCK ABSORBER, UPPER RH		219
BRACKET, FUEL HOSE PROTECTOR, REAR		3A3
BRACKET, FUEL PUMP		1K4
BRACKET, FUEL TUBE CLAMP		3M2
BRACKET, HAND BRAKE SIGNAL SWITCH		3J9
BRACKET, HEADLAMP CLEANER WASHER		3M10
BRACKET, INSTRUMENT PAD, NO.2		3C2
BRACKET, INSTRUMENT PANEL		3C2
BRACKET, INSTRUMENT PANEL SIDE, NO.2 LH		3G3
BRACKET, INSTRUMENT PANEL SIDE, NO.2 RH		3G3
BRACKET, JACK CARRIER		3G7
BRACKET, LOAD SENSING SHACKLE, NO.1		2D9
BRACKET, LOAD SENSING VALVE		2C9
BRACKET, PARKING LOCK PAWL		2J3
BRACKET, PUMP		2G7
BRACKET, RADIATOR RESERVE TANK		1M2
BRACKET, RADIATOR, NO.1		1L2
BRACKET, RADIATOR, NO.2		1L2
BRACKET, RADIATOR, NO.3		1M2
BRACKET, RADIATOR, NO.4		1M2
BRACKET, RADIO MOUNTING, NO.1		3C2
BRACKET, RADIO MOUNTING, NO.2		3C2
BRACKET, RADIO, NO.1		3K10
BRACKET, RADIO, NO.2		3K10
BRACKET, REAR BRAKE BELLCRANK		2L8
BRACKET, REAR FLOOR HEAT INSULATOR, NO.1		3A3
BRACKET, RECEIVER TANK, NO.1		3M11
BRACKET, RELAY, NO.2		3K9
BRACKET, SPRING, NO.2, LH		219
BRACKET, SPRING, NO.2, RH		219
BRACKET, SPRING, NO.3, LH		2M9
BRACKET, SPRING, NO.3, RH		2M9
BRACKET, SPRING, NO.4		2M9
BRACKET, STABILIZER (FOR REAR)		2A10
BRACKET, STABILIZER, NO.2		2J9
BRACKET, STEERING DAMPER		2B7
BRACKET, TAIL PIPE (FOR FRONT)		1E3
BRACKET, TAIL PIPE (FOR REAR)		1E3
BRACKET, THROTTLE CONTROL CABLE		3M7
BRACKET, VACUUM CHECK VALVE		2G8
BRACKET, VACUUM CONTROL VALVE, NO.2		1M3
BREAKER ASSY, WIRING CIRCUIT, NO.1		3H9
BRUSH, ALTERNATOR		1F4
BULB (FOR FRONT TURN SIGNAL LAMP)		3C8
BULB (FOR GLOVE BOX)		3J3
BULB (FOR LICENSE PLATE LAMP)		3H8
BULB (FOR PARKING AND CLEARANCE LAMP)		3D8

PART	NAME	LOCATION
RING, FREE WHEEL HUB		2L6
RING, HOG, SMALL (FOR FRONT SEAT)		3E6
RING, HOLE SNAP (FOR BRAKE NO.1 FLANGE)		2D2
RING, HOLE SNAP (FOR BRAKE PISTON RETURN SPRING)		2D2
RING, HOLE SNAP (FOR FRONT PLANETARY RING GEAR)		2H2
RING, HOLE SNAP (FOR OUTPUT SHAFT)		2G2
RING, HOLE SNAP (FOR OVERDRIVE BRAKE FLANGE)		2L1
RING, HOLE SNAP (FOR OVERDRIVE BRAKE RETURN SPRING)		2K1
RING, HOLE SNAP (FOR OVERDRIVE CASE)		2K1
RING, HOLE SNAP (FOR OVERDRIVE CLUTCH FLANGE)		2L1
RING, HOLE SNAP (FOR OVERDRIVE PLANETARY RING GEAR)		2L1
RING, HOLE SNAP (FOR PISTON PIN)		1A2
RING, HOLE SNAP (FOR POWER STEERING GEAR HOUSING)		2K7
RING, HOLE SNAP (FOR REAR CLUTCH FLANGE)		2B2
RING, HOLE SNAP (FOR REAR CLUTCH HUB)		2B2
RING, HOLE SNAP (FOR REAR PLANETARY RING GEAR FLANGE)		2H2
RING, HOLE SNAP (FOR SPIDER BEARING)		2L4
RING, HOLE SNAP (FOR STEERING MAIN SHAFT)		2A7
RING, HOLE SNAP (FOR VANE PUMP HOUSING OIL SEAL)		2D7
RING, HOLE SNAP (FOR 1 WAY CLUTCH)		2H2
RING, HOLE SNAP (FOR 1ST & REVERSE BRAKE FLANGE)		2L1
RING, HORN CONTACT		2F2
RING, INPUT SHAFT OIL SEAL		2H7
RING, INTERMEDIATE SHAFT OIL SEAL		2C2
RING, O		2H2
RING, O (FOR ADJUSTER PLUG)		1H2
RING, O (FOR AUTOMATIC TRANSMISSION CASE)		2K7
RING, O (FOR BRAKE PISTON INNER)		2H1
RING, O (FOR BRAKE PISTON OUTER)		2D2
RING, O (FOR BREATHER PLUG)		2D2
RING, O (FOR C-1 ACCUMULATOR PISTON)		2H1
RING, O (FOR C-2 ACCUMULATOR PISTON)		2C3
RING, O (FOR CENTER SUPPORT)		2E2
RING, O (FOR DIAPHRAGM PUSH ROD)		2H4
RING, O (FOR FLOW CONTROL SPRING SEAT)		2F7
RING, O (FOR FRONT CLUTCH PISTON)		2A2
RING, O (FOR FRONT OIL PUMP BODY)		2F1
RING, O (FOR FUEL INJECTOR)		1K4
RING, O (FOR FUEL PRESSURE REGULATOR)		1L4
RING, O (FOR OIL COOLER TUBE UNION)		2K3
RING, O (FOR OVERDRIVE BRAKE ACCUMULATOR PISTON)		2M2
RING, O (FOR OVERDRIVE BRAKE PISTON)		2L1
RING, O (FOR OVERDRIVE CASE)		2K1
RING, O (FOR OVERDRIVE DIRECT CLUTCH PISTON)		2K1
RING, O (FOR POWER PISTON NUT)		2K7
RING, O (FOR POWER STEERING GEAR HOUSING)		2K7
RING, O (FOR POWER STEERING SUCTION PORT)		2E7
RING, O (FOR PRESSURE PORT UNION)		2E7
RING, O (FOR PUMP HOUSING)		2D7
RING, O (FOR REAR CLUTCH PISTON OUTER)		2B2
RING, O (FOR REAR CLUTCH PISTON)		2A2
RING, O (FOR REAR SIDE PLATE)		2F7
RING, O (FOR RESERVOIR TUBE)		2E8
RING, O (FOR SIDE COVER)		2K7
RING, O (FOR STEERING MAIN SHAFT)		2A7
RING, O (FOR TRANSFER IDLER SHAFT)		2D4
RING, O (FOR TRANSFER INPUT GEAR)		2D4
RING, O (FOR TRANSMISSION OIL FILLER TUBE)		2I1
RING, O (FOR VALVE HOUSING)		2J7
RING, O (FOR VANE PUMP HOUSING)		2D7
RING, O (FOR 1ST & REVERSE BRAKE)		2F2
RING, OIL SEAL (FOR CENTER SUPPORT)		2E2
RING, OIL SEAL (FOR OVERDRIVE PLANETARY RING GEAR FLANGE)		2L1
RING, SEALED BEAM MOUNTING, NO.1 LH		3B8

PART	NAME	LOCATION
RING, SEALED BEAM MOUNTING, NO.1 RH		3A8
RING, SEALED BEAM MOUNTING, NO.2 LH		3B8
RING, SEALED BEAM MOUNTING, NO.2 RH		3A8
RING, SEALED BEAM RETAINING, NO.1 LH		3B8
RING, SEALED BEAM RETAINING, NO.1 RH		3A8
RING, SET (FOR FRONT DISC BRAKE PISTON)		2H8
RING, SET (FOR RELAY ROD)		2L7
RING, SET (FOR TIE ROD END DUST SEAL)		2L7
RING, SHAFT SNAP (FOR FRONT CLUTCH PISTON RETURN SPRING)		2A2
RING, SHAFT SNAP (FOR FRONT DOOR WINDOW REGULATOR HANDLE)		3A5
RING, SHAFT SNAP (FOR FRONT DRIVE INNER SHAFT INNER)		2J6
RING, SHAFT SNAP (FOR FRONT DRIVE INNER SHAFT OUTER)		2J6
RING, SHAFT SNAP (FOR FRONT PLANETARY SUN GEAR)		2E2
RING, SHAFT SNAP (FOR OVERDRIVE DIRECT CLUTCH)		2L1
RING, SHAFT SNAP (FOR REAR PLANETARY RING GEAR)		2H2
RING, SHAFT SNAP (FOR STEERING MAIN SHAFT)		2M6
RING, SHAFT SNAP (FOR TRANSFER OUTPUT SHAFT)		2E4
RING, SHAFT SNAP (FOR VANE PUMP SHAFT)		2E7
RING, SHAFT SNAP (FOR 1ST & REVERSE BRAKE RETURN SPRING)		2F2
RING, SHAFT SNAP (FOR REAR DOOR WINDOW REGULATOR HANDLE)		3H5
RING, SNAP		1E4
RING, SNAP (FOR BRAKE MASTER CYLINDER SIDE)		2D8
RING, SNAP (FOR FLOW CONTROL VALVE)		2E7
RING, SNAP (FOR GOVERNOR VALVE SHAFT NO.2)		2J2
RING, SNAP (FOR PARKING LOCK PAWL SHAFT)		2J3
RING, SNAP (FOR STEERING COLUMN TUBE)		2A7
RING, SNAP (FOR TRANSFER OUTPUT FRONT BEARING)		2E4
RING, SNAP CAMSHAFT (FOR TIMING GEAR)		1C2
RING, SPACE		1E4
RING, O (FOR A11 SPEEDOMETER SHAFT SLEEVE)		2J1
RING, O (FOR FRONT DIFFERENTIAL LOCK CYLINDER)		2G6
ROD ASSY, ACCELERATOR PEDAL		3M7
ROD ASSY, STEERING RELAY		2L7
ROD ASSY, TIE		2M7
ROD SUB-ASSY, CONNECTING		1A2
ROD SUB-ASSY, DIFFERENTIAL LOCK CABLE LINK		2A6
ROD SUB-ASSY, HIGH & LOW SHIFT		2F4
ROD SUB-ASSY, JACK HANDLE		1A1
ROD SUB-ASSY, PARKING LOCK		2J3
ROD, DETENT		2B1
ROD, DIFFERENTIAL LOCK, NO.1		2A6
ROD, DIFFERENTIAL LOCK, NO.2		2A6
ROD, HOOD SUPPORT		3L1
ROD, REAR SEAT BACK LOCK		3G6
ROD, SUB-ASSY, BACK DOOR LOCK REMOTE CONTROL		3M5
ROD, TRANSMISSION CONTROL (FOR FLOOR SHIFT)		2B1
ROD, VALVE PUSH		1D2
ROD, WINDSHIELD WIPER LINK, NO.1		3A10
ROD, WIPER LINK, NO.2		3A10
ROLLER, STARTER CLUTCH		1H4
ROTOR ASSY, ALTERNATOR		1E4
ROTOR SUB-ASSY, DISTRIBUTOR		1D4
ROTOR SUB-ASSY, MAGNET CLUTCH		3B12
ROTOR, VANE PUMP		2E7
RUBBER, CUSHION (FOR FUEL PUMP)		1K4
RUN, FRONT DOOR GLASS		3K4
RUN, FRONT DOOR GLASS, NO.2		3K4
RUN, REAR DOOR GLASS		3E5
SCREW, CROSSHAFT ADJUSTING		2L7
SCREW, DASH POT ADJUSTING		1J4
SCREW, HEADLAMP ADJUSTING		3A8
SCREW, REAR AXLE BEARING LOCK NUT		2J5
SCREW, TAIL GATE ASSY		3L5
SCREW, VALVE ADJUSTING		1D2
SEAL ASSY, SHAFT		3C12

PART NUMBER	LOCATION	PART NUMBER	LOCATION	PART NUMBER	LOCATION	PART NUMBER	LOCATION	PART NUMBER	LOCATION	PART NUMBER	LOCATION	
B 35676-36010-	2L1	36143-60020-	2B4	41201-69166-	2C5	41451-60010-	2E5	42538-60010-	2B6	44313-12040-	2E7	
-36020-	2D2	-60030-	2B4		2E6		2G6	42540-60010-	2B6	-12050-	2E7	
-36030-	2D2	36144-60020-	2B4	41204-60030-	2J5	P 41453-60010-	2E5	42541-60010-	2B6	-22040-	2E7	
-36040-	2D2	36152-60030-	2B4		2E6	P	2G6	42550-60010-	2B6	-22050-	2E7	
-36070-	2F2	36164-60040-	2H4	41214-26010-	2C5	S	2E5	42560-60011-	2B6	-22060-	2E7	
-36080-	2F2	36212-60090-	2D4		2E6	S	2G6	42562-60010-	2B6	-22070-	2E7	
-36090-	2F2	36215-60030-	2D4	41226-35010-	2C5		2E5	A 42601-60221-	2K5	-22080-	2E7	
35701-60010-	2B2	36221-60090-	2D4		2E6		2G6	42603-35089-	2K5	44320-60090-	2E7	
35706-60011-	2E2	36222-60020-	2D4	P 41231-60020-	2C5	41460-60010-	2E5	-60012-	2K5	44325-12010-	2E7	
35709-36010-	2E2	36225-60050-	2D4	P	2E6		2G6	-60052-	2K5	-12020-	2E7	
35712-36010-	2C2	36231-60050-	2D4	B	2C5	41464-60010-	2F5	B 42652-60060-	2L5	-12030-	2E7	
	2L1	36234-60031-	2E4	B	2F6		2G6	43110-60144-	2H6	-12040-	2E7	
35713-36011-	2G2	36235-60020-	2E4		2C5	41465-60010-	2F5	-60211-	2H6	-12050-	2E7	
35719-60010-	2E2	36237-60020-	2E4	41252-35010-	2F6		2G6	43204-60020-	2E9	44330-30100-	2E7	
35720-60010-	2G2	36241-60080-	2D4	P 41301-60020-	2D5	41466-60010-	2F5	43209-60011-	2H6	-30110-	2E7	
35735-36010-	2J2	36242-60130-	2E4	P	2H6		2H6	43211-60050-	2E9	-30120-	2E7	
35737-36010-	2G2	36251-60030-	2E4	S	2D5	41467-60020-	2F5	43212-60050-	2E9	-30130-	2E7	
35738-60010-	2H2	36303-60130-	2F4	S	2H6	41951-60030-	2F5	43232-35010-	2E9	-30140-	2E7	
35743-60010-	2H2	36307-60040-	2F4	B	2D5	-60040-	2F5	43233-60011-	2E9	-30150-	2E7	
35748-36010-	2H2	36308-60100-	2F4	B	2H6	42109-60050-	2F5	43234-60011-	2F9	44341-12010-	2F7	
35760-60010-	2H2	36311-60041-	2F4		2D5	42110-60193-	2F5	43235-60010-	2F9	44343-12040-	2F7	
35761-60010-	2H2	36312-60040-	2F4		2F6	-60201-	2F5	43236-60010-	2F9	44345-12010-	2F7	
35762-60010-	2H2	36313-60070-	2G4	41316-30010-	2D5	42137-35010-	2F5	43237-60030-	2F9	-12020-	2F7	
35785-36010-	2E2	36314-60040-	2G4	B	2G6	42181-36010-	2F5	43238-60010-	2F9	-12030-	2F7	
	2M1	36324-60050-	2G4	B 41331-25010-	2D5		2H6	43239-60020-	2F9	-12040-	2F7	
35789-36010-	2M1	36327-60031-	2G4	B	2F6	P	2F5	P 43401-60012-	2F9	-12050-	2F7	
-36020-	2B2	36337-60080-	2H4		2D5	-60030-	2F5	S	43405-60016-	2J6	44391-14010-	2F7
	2M1	36338-60030-	2G4	-35020-	2F6	42193-35010-	2G5		43411-60020-	2J6	44410-60170-	2G7
-36040-	2F1	36343-60010-	2H4	-60020-	2D5	42306-60051-	2I5	P	-60060-	2J6	44416-60061-	2G7
-36050-	2F1	-60040-	2H4		2F6	42311-60060-	2I5	N	-60060-	2J6	44443-60050-	2G7
-36060-	2F1	36360-60220-	2G4	B 41341-25010-	2E5	-60061-	2I5		43412-35010-	2J6	44446-60020-	2G7
-36070-	2M1	36362-60020-	2G4	B	2F6	-60080-	2I5	P	-60050-	2J6	44605-30350-	2G8
-36090-	2A2	36369-60030-	3M6	-55012-	2D5	N	2I5		43422-60020-	2J5	44608-17090-	2G8
	2B2	36409-60040-	2J4		2F6		2I5			2K6	44609-17090-	2G8
	2H2	36410-60030-	2H4	B 41342-55010-	2J5	42323-60010-	2K6		43435-60011-	2F9	44610-60530-	2G8
-36100-	2C2	36416-36010-	2H4	B	2F6	-60020-	2F9		43436-60011-	2F9	44624-20810-	2G8
-36110-	2C2	36422-36010-	2H4		2E5	42325-55010-	2I5		43502-60020-	2K6	44628-20810-	2G8
-36120-	2C2	36482-60100-	2J4	-60010-	2F6	A 42411-30011-	2I5		43509-60015-	2K6	44632-27290-	2G8
-36130-	2C2	36486-60010-	2H4	-60020-	2E5	42419-60011-	2J5		43512-60040-	2L6	44633-20811-	2G8
-36140-	2C2	36726-60020-	2E4		2F6	A 42420-60110-	2J5		43521-60011-	2L6	44637-20810-	2G8
35790-36010-	2H2	37110-60410-	2K4	P 41343-55010-	2E5	42427-60021-	2J5		43530-69017-	2L6	44645-10080-	2G8
35791-36010-	2L1	37140-60200-	2K4	P	2F6	42428-60011-	2J5		43531-60010-	2L6	44651-20810-	2G8
35847-36010-	2H3	37302-36020-	2L4		2E5	42431-60020-	2I5		43532-60010-	2L5	44673-20810-	2G8
35893-36010-	2H3	-60050-	2L4	B	2E5	42441-30010-	2J5		44104-22011-	2J7	44730-24020-	2G8
35906-60050-	2B1	37305-36020-	2L4	B	2G6	42443-55020-	2J5		44105-30060-	2J7	44758-60030-	2G8
35921-60030-	2B1	-60010-	2L4		2E5	42506-60010-	2A6		44107-60060-	2K7	44772-60050-	2G8
35971-60030-	2B1	37315-36020-	2L4		2E5	42511-60010-	2A6		44108-60010-	2K7	44773-60030-	2G8
35972-60020-	2B1	37402-10020-	2A7	41346-35010-	2E5	42512-60010-	2A6		44110-60160-	2K7	44785-35020-	2G8
35974-60030-	2B1	-36080-	2L4	41347-35010-	2E5	42513-60010-	2A6		44111-60040-	2K7	44786-60040-	2B9
35975-60020-	2B1	B 38628-60010-	2C1	41348-35010-	2E5	42514-60010-	2A6		44115-30040-	2K7	45025-60020-	2M6
-60030-	2B1	S 41101-60041-	2B5	B 41351-25010-	2E5	42515-60010-	2A6		44116-30040-	2K7	45044-69055-	2L7
35976-60020-	2B1	S	2E6	B	2G6	42516-60010-	2A6		44120-60130-	2L7	-69056-	2L7
35989-60020-	2C1	P	2E5		2E5	42517-60010-	2A6		44142-22010-	2K7	45045-69045-	2L7
36103-60160-	2A4		2E6		2G6	42518-60010-	2A6		-22020-	2L7	-69046-	2L7
36110-6A790-	2M3	41110-60110-	2B5	41361-60010-	2E5	42521-60010-	2A6		44302-14010-	2D7	45046-69115-	2L7
36119-60010-	2B4		2E6		2G6	42522-60010-	2A6		44304-60021-	2D7	-69116-	2L7
-60020-	2D4	-60111-	2B5	-60020-	2E5	42523-60010-	2A6		44305-30020-	2D7	45047-69065-	2L7
-60030-	2B4		2E6	-60030-	2G6	42531-60030-	2A6		44306-60070-	2F7	-69066-	2L7
36122-60040-	2B4	-60230-	2B5	-60030-	2E5	42532-60030-	2B6		44308-35030-	2D7	45081-22020-	2M6
36124-60020-	2B4		2E6	-60040-	2G6	42533-60010-	2B6		44311-60010-	2D7	45082-60010-	2M6
36128-60021-	2B4	-60231-	2B5		2E5	42534-60030-	2B6		44312-12010-	2E7	45100-60140-03	2H7
36132-60020-	2B4		2E6	41375-60010-	2G6	42535-60010-	2B6		44313-12010-	2E7	-60140-06	2H7
36134-60020-	2B4		2C5		2E5	42537-60010-	2B6		-12020-	2E7	45105-60040-	2H7
36142-60030-	2B4		2E6		2G6	-60020-	2B6		-12030-	2E7	45130-60101-03	2H7

Vehicle Appearance



PART	NAME	LOCA TION	PART	NAME	LOCA TION
BULB (FOR REAR COMBINATION LAMP)		3F8	CAP ASSY, FUEL TANK		3K7
BULB, COMBINATION METER, NO.1		3D9	CAP ASSY, REAR WASHER		3F10
BULB, FRONT MARKER LAMP		3E8	CAP ASSY, WINDSHIELD WASHER		3D10
BULB, HEATER CONTROL INDICATOR LAMP		3E9	CAP SUB-ASSY, AIR CLEANER		1F3
BULB, INDICATOR LAMP		3E9	CAP SUB-ASSY, DISTRIBUTOR		1D4
BULB, REAR SIDE MARKER LAMP		3I8	CAP SUB-ASSY, OIL FILLER		1G1
BULB, ROOM LAMP, NO.1		3J8	CAP SUB-ASSY, RADIATOR		1L2
BUMPER SUB-ASSY, REAR SPRING		2M9	CAP SUB-ASSY, RESERVE TANK		1L2
BUMPER, FRONT SPRING, NO.1		2I9	CAP SUB-ASSY, VANE PUMP OIL RESERVOIR		2D7
BUMPER, HOOD, FRONT		3J1	CAP, BLEEDER PLUG (FOR DRUM BRAKE, REAR)		2K8
BUMPER, HOOD, REAR		3J1	CAP, BLEEDER PLUG (FOR FRONT DISC BRAKE)		2H8
BUSH (FOR ACCELERATOR LINK ROD)		3M7	CAP, BLEEDER PLUG (FOR LSPV)		2B9
BUSH (FOR ALTERNATOR RECTIFIER END FRAME)		1E4	CAP, BLIND		3C12
BUSH (FOR BRAKE PEDAL)		2C8	CAP, CABLE ADJUSTING		2B8
BUSH (FOR CONNECTING ROD SMALL END)		1A2	CAP, COOLER COMPRESSOR SERVICE VALVE		3C12
BUSH (FOR CONTROL SHAFT LEVER)		2B1	CAP, HEADLAMP CLEANER WASHER JAR		3G10
BUSH (FOR CONTROL SHAFT)		2A1	CAP, INSTRUMENT PANEL SAFETY PAD		3C2
BUSH (FOR DIFFERENTIAL LOCK CABLE LINK SHAFT)		2B6	CAP, REAR WIPER PIVOT, NO.1		3C10
BUSH (FOR DIFFERENTIAL LOCK CONTROL SHAFT)		2B6	CAP, SHIELD		3B10
BUSH (FOR FRONT DIFFERENTIAL LOCK CYLINDER)		2J6	CAP, STEERING KNUCKLE BEARING		2E9
BUSH (FOR FRONT SHOCK ABSORBER)		7I9	CARPET ASSY, FLOOR, REAR		3B3
BUSH (FOR FRONT SPRING PIN)		2H9	CARPET ASSY, FRONT FLOOR, FRONT		3B3
BUSH (FOR FRONT SPRING SHACKLE)		2H9	CARPET ASSY, REAR FLOOR		3B3
BUSH (FOR LOAD SENSING SPRING SHACKLE)		2D9	CARRIER ASSY, DIFFERENTIAL, FRONT		2E6
BUSH (FOR PARKING BRAKE EQUALIZER)		2A8	CARRIER ASSY, DIFFERENTIAL, REAR		2B5
BUSH (FOR REAR DIFFERENTIAL LOCK CYLINDER LVER)		2F5	CARRIER ASSY, SPARE WHEEL		3D1
BUSH (FOR REAR SHOCK ABSORBER)		2A10	CARRIER SUB-ASSY, DIFFERENTIAL, FRONT		2E6
BUSH (FOR REAR SPRING PIN)		2L9	CARRIER SUB-ASSY, DIFFERENTIAL, REAR		2B5
BUSH (FOR REAR SPRING SHACKLE LOWER)		2L9	CARRIER, JACK		3G7
BUSH (FOR REAR SPRING SHACKLE UPPER)		2L9	CASE SUB-ASSY, AUTOMATIC TRANSMISSION		2G1
BUSH (FOR STEERING KNUCKLE)		2E9	CASE SUB-ASSY, DIFFERENTIAL		2D5
BUSH & BOOT KIT, LOAD SENSING SPRING		2B9	CASE SUB-ASSY, OVERDRIVE		2K1
BUSH, BACK DOOR LOWER INSIDE HANDLE		3M5	CASE SUB-ASSY, REAR FLOOR PAN RETRACTOR, LH		3M2
BUSH, FRONT STABILIZER BAR, NO.1		2J9	CASE SUB-ASSY, REAR FLOOR PAN RETRACTOR, RH		3M2
BUSH, SPEEDOMETER DRIVE CABLE		3D9	CASE SUB-ASSY, TRANSFER		2A4
BUSH, STABILIZER (FOR REAR)		2A10	CASE, COMBINATION METER		3D9
BUSH, TRANSFER SHIFT LEVER		2G4	CASE, EXHAUST MANIFOLD, NO.2		1C3
BUSH, VALVE GUIDE EXHAUST		1G1	CASE, FRONT AXLE DIFFERENTIAL		2H6
BUSH, VALVE GUIDE INTAKE		1F1	CHANNEL SUB-ASSY, FRONT DOOR GLASS, LH		3B5
BUSH, WINDSHIELD WASHER JAR		3D10	CHANNEL SUB-ASSY, FRONT DOOR GLASS, RH		3B5
BUTTON ASSY, HORN		2H7	CHANNEL SUB-ASSY, REAR DOOR GLASS, LH		3I5
BUTTON, DOOR LOCKING (FOR BACK DOOR)		3M5	CHANNEL SUB-ASSY, REAR DOOR GLASS, RH		3I5
BUTTON, SHIFT LEVER KNOB		2A1	CHANNEL, ROOF DRIP SIDE, FRONT LH		3H3
CABLE ASSY, ACCELERATOR CONTROL		3M7	CHANNEL, ROOF DRIP SIDE, FRONT RH		3H3
CABLE ASSY, DIFFERENTIAL LOCK, FRONT		2B6	CHANNEL, ROOF DRIP SIDE, REAR LH		3H3
CABLE ASSY, DIFFERENTIAL LOCK, REAR		2B6	CHANNEL, ROOF DRIP SIDE, REAR RH		3H3
CABLE ASSY, HOOD LOCK CONTROL		3L1	CHECK ASSY, FRONT DOOR		3K4
CABLE ASSY, PARKING BRAKE, NO.1		2A8	CHECK ASSY, REAR DOOR		3E5
CABLE ASSY, SPEEDOMETER DRIVE, NO.1		3D9	CLAMP (FOR AIR CLEANER HOSE, NO.1)		1F3
CABLE ASSY, THROTTLE		2J3	CLAMP (FOR AIR CLEANER HOSE, NO.2)		1G3
CABLE ASSY, THROTTLE CONTROL		3M7	CLAMP (FOR EGR PIPE)		1M4
CABLE SUB-ASSY, AIR INLET DAMPER CONTROL		3J11	CLAMP (FOR FRONT AXLE BRATHER HOSE)		2H6
CABLE SUB-ASSY, AIRMIX DAMPER CONTROL		3J11	CLAMP (FOR HOOD LOCK CONTROL CABLE)		3L1
CABLE SUB-ASSY, DEFROSTER DAMPER CONTROL		3J11	CLAMP (FOR REAR AXLE BRATHER HOSE)		2G5
CABLE SUB-ASSY, FUEL LID LOCK CONTROL		3J7	CLAMP OR CLIP (FOR RADIATOR RESERVE TANK HOSE)		1L2
CABLE SUB-ASSY, WATER VALVE CONTROL		3J11	CLAMP OR CLIP (FOR WATER BY-PASS HOSE, NO.2)		1K2
CABLE, BATTERY TO GROUND		3K8	CLAMP OR CLIP, HOSE (FOR OIL COOLER HOSE)		1H2
CABLE, BATTERY TO STARTER (FOR BATTERY TO MAIN SWITCH)		3K8	CLAMP OR CLIP, HOSE (FOR RADIATOR INLET)		1L2
CABLE, BOND, NO.1		3M8	CLAMP OR CLIP, HOSE (FOR RADIATOR OUTLET, NO.1)		1L2
CAM ASSY, THROTTLE VALVE		2G3	CLAMP OR CLIP, HOSE (FOR RADIATOR OUTLET, NO.2)		1L2
CAMSHAFT		1C2	CLAMP OR CLIP, HOSE (FOR WATER BY-PASS HOSE)		1K2
CANISTER ASSY, CHARCOAL		3K7	CLAMP OR CLIP, HOSE (FOR WATER BY-PASS HOSE, NO.1)		1J4
CAP		3G11	CLAMP OR CLIP, HOSE (FOR WATER BY-PASS HOSE, NO.2)		1J4
CAP (FOR FLOOR SHIFT POSITION INDICATOR LAMP)		2A1	CLAMP OR CLIP, HOSE (FOR WATER BY-PASS PIPE)		1K2
CAP ASSY, BRAKE MASTER CYLINDER RESERVOIR FILLER		2E8	CLAMP OR CLIP, NO.1 (FOR AIR INJECTION SYSTEM HOSE, NO.1)		1I3

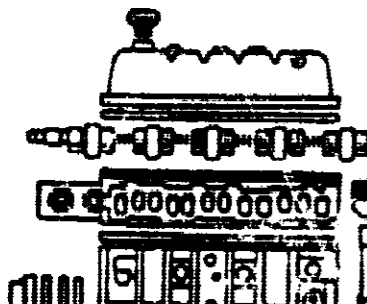
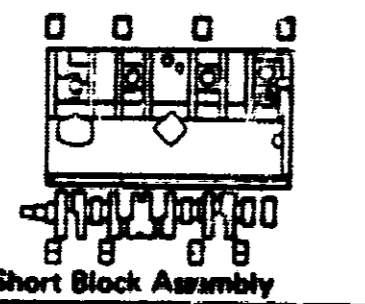
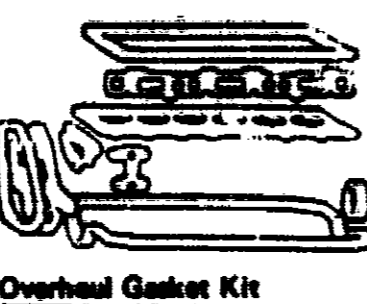
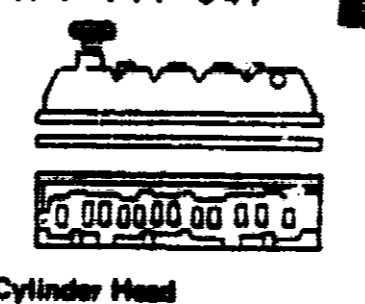
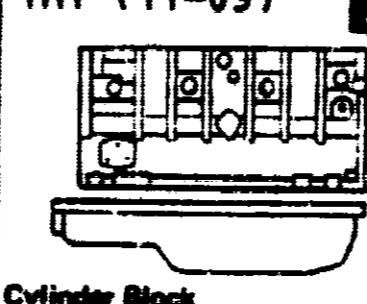
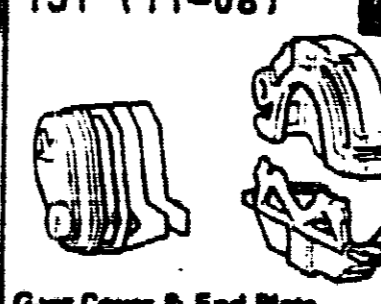
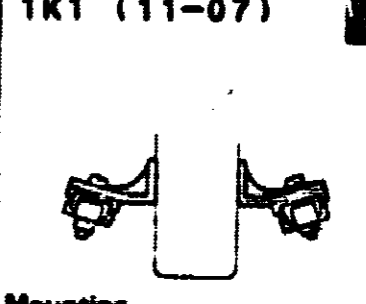
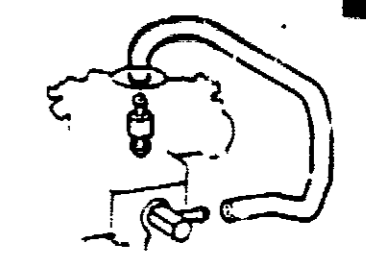
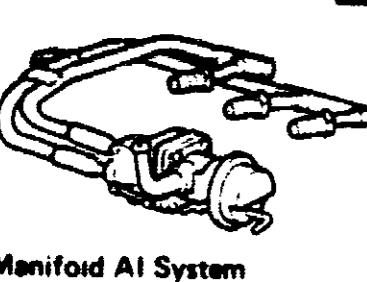
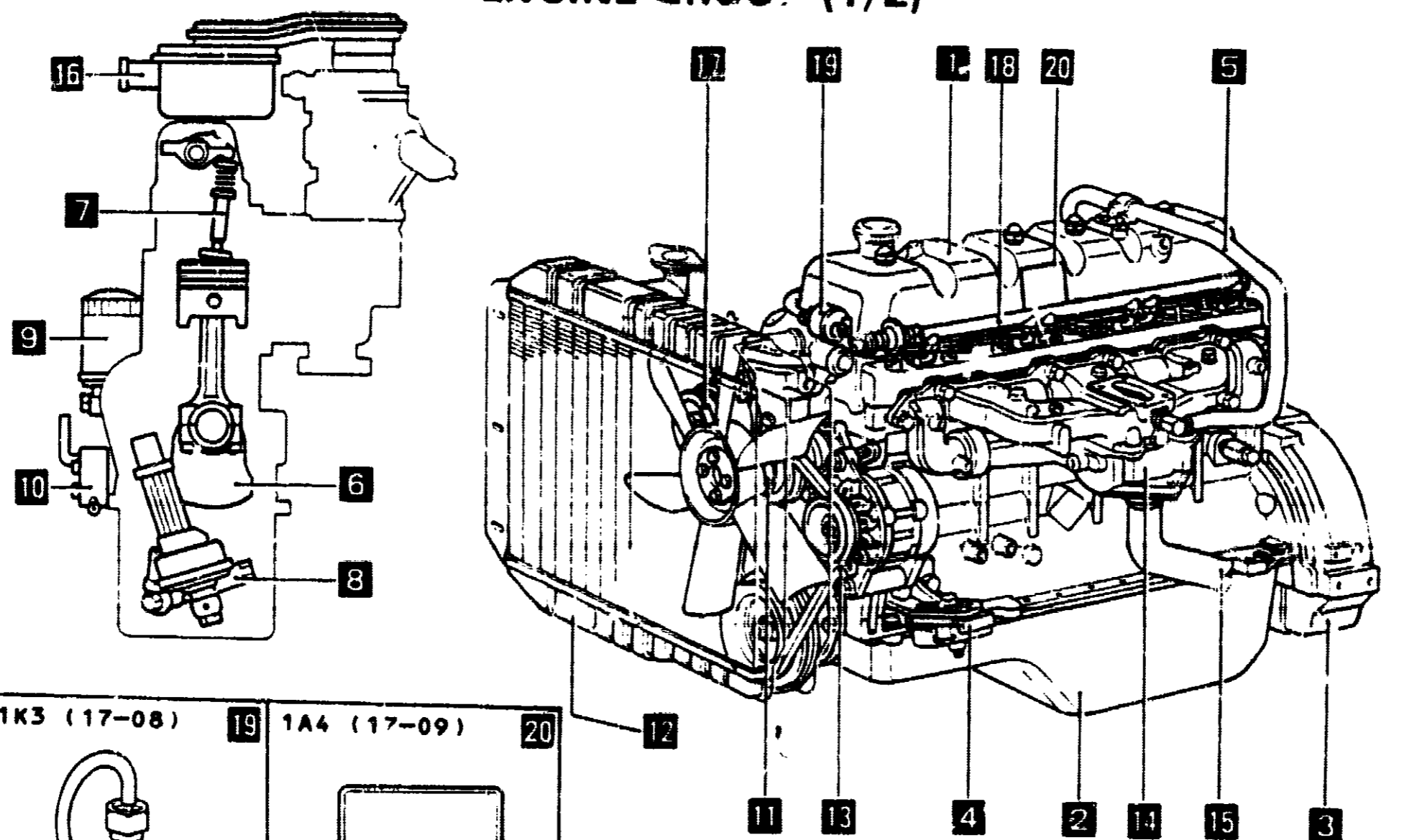
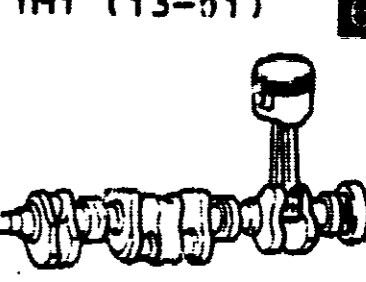
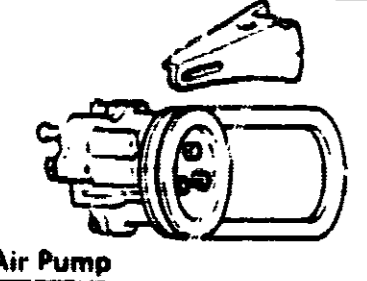
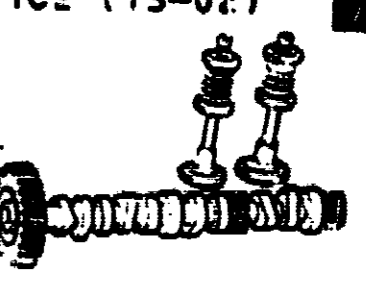
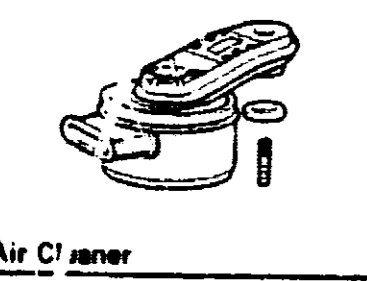
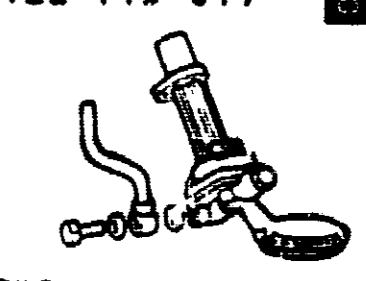
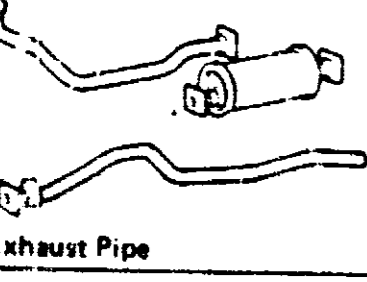
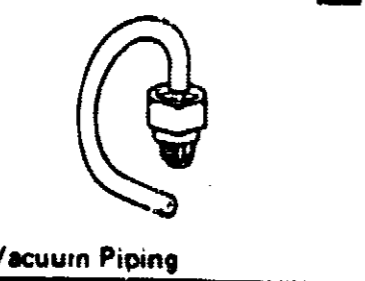
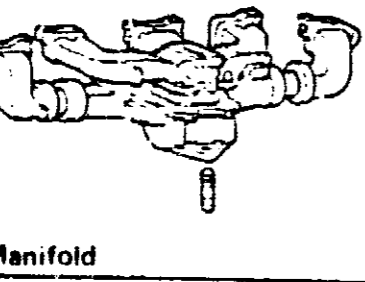
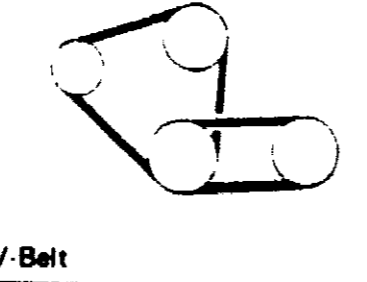
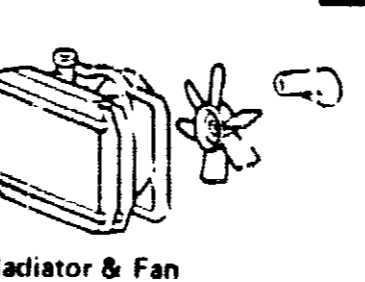
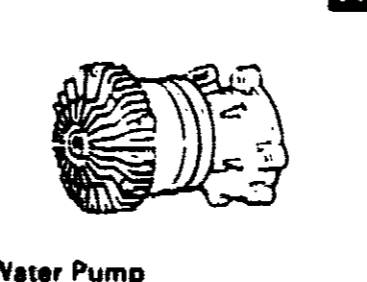
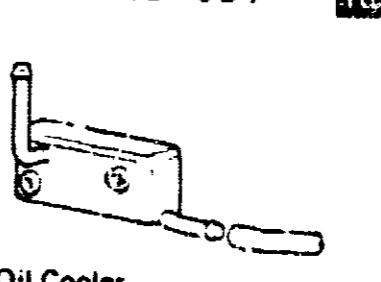
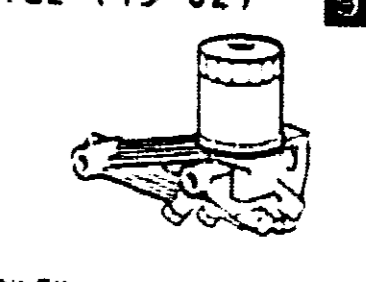
PART	NAME	LOCATION
SEAL OIL (FOR ATM SPEEDOMETER SHAFT SLEEVE)		2J1
SEAL OR RING, O (FOR VALVE STEM OIL)		1C2
SEAL SUB-ASSY, STEERING KNUCKLE OIL		2E9
SEAL, BACK DOOR		3K5
SEAL, BACK DOOR HINGE		3L5
SEAL, DUST (FOR FRONT AXLE HUB)		2F9
SEAL, FRONT DOOR FRONT LOWER FRAME, LH		314
SEAL, FRONT DOOR FRONT LOWER FRAME, RH		314
SEAL, FRONT FENDER APRON TO FRAME, FRONT		3A2
SEAL, FRONT FENDER APRON TO FRAME, REAR		3A2
SEAL, HOOD TO COWL TOP		3F2
SEAL, HOOD TO RADIATOR SUPPORT		3J1
SEAL, MAIN SHAFT LOWER DUST		2A7
SEAL, OIL (FOR ADJUSTER PLUG)		2K7
SEAL, OIL (FOR CRANKSHAFT)		1B2
SEAL, OIL (FOR FRONT AXLE HUB)		2K6
SEAL, OIL (FOR FRONT DIFFERENTIAL CARRIER)		2E6
SEAL, OIL (FOR FRONT OIL PUMP)		2F1
SEAL, OIL (FOR HIGH & LOW SHIFT INNER LEVER)		2F4
SEAL, OIL (FOR MANUAL VALVE LEVER SHAFT)		2J3
SEAL, OIL (FOR OUTPUT SHAFT BEARING FRONT RETAINER)		2B4
SEAL, OIL (FOR OUTPUT SHAFT RETAINER)		2B4
SEAL, OIL (FOR POWER STEERING GEAR HOUSING)		2K7
SEAL, OIL (FOR REAR AXLE HUB)		2J5
SEAL, OIL (FOR REAR AXLE SHAFT OUTER)		215
SEAL, OIL (FOR REAR AXLE SHAFT)		215
SEAL, OIL (FOR REAR DIFFERENTIAL CARRIER)		2C5
SEAL, OIL (FOR TIMING GEAR COVER)		1J1
SEAL, OIL (FOR TRANSFER CASE)		2A4
SEAL, RADIATOR SUPPORT, UPPER		3A2
SEAL, ROOF CARRIER, NO.1 LH		3L3
SEAL, ROOF CARRIER, NO.1 RH		3L3
SEAL, ROOF CARRIER, NO.2		3L3
SEAL, ROOF CARRIER, NO.3 RH		3M3
SEAL, STEERING KNUCKLE OIL, INNER		2F9
SEAL, STEERING KNUCKLE OIL, OUTER		2F9
SEAL, STEERING LINK DUST, LH		2L7
SEAL, STEERING LINK DUST, RH		2L7
SEAL, TRANSFER LEVER BOOT		3K2
SEAL, TRANSMISSION CASE DUST		2H1
SEAL, TYPE T OIL (FOR FRONT DRIVE SHAFT)		2H6
SEAL, TYPE T OIL (FOR VANE PUMP HOUSING)		2D7
SEAL, TYPE T, OIL (FOR DIAPHRAGM PUSH ROD)		2H4
SEAL, MAIN SHAFT UPPER DUST		2A7
SEALED BEAM UNIT, NO.1		3A8
SEALED BEAM UNIT, NO.2		3A8
SEAT SUB-ASSY, SPRING U BOLT, LH		2L9
SEAT SUB-ASSY, SPRING U BOLT, RH		2L9
SEAT SUB-ASSY, SPRING, LH		2H9
SEAT SUB-ASSY, SPRING, RH		2H9
SEAT, BALL STUD		2M7
SEAT, CHECK VALVE SPRING		2F1
SEAT, FLOW CONTROL SPRING		2F7
SEAT, FRONT CLUTCH PISTON RETURN SPRING		2A2
SEAT, HORN BUTTON CONTACT, NO.1		2H7
SEAT, LOCK UP SIGNAL VALVE SPRING		2A3
SEAT, OVERDRIVE DIRECT CLUTCH RETURN SPRING		2L1
SEAT, PRIMARY REGULATOR VALVE SLEEVE		2C3
SEAT, REAR CLUTCH PISTON RETURN SPRING		2B2
SEAT, STEERING LINK JOINT SPRING		2M7
SEAT, VALVE EXHAUST		1G1
SEAT, VALVE INTAKE		1G1
SEAT, VALVE SPRING		1D2
SEAT, WATER PUMP PULLEY		112
SENSOR, E.G.R GAS TEMPERATURE		3K9

PART	NAME	LOCATION
SENSOR, MANIFOLD TEMPERATURE		3K9
SENSOR, OXYGEN		3K9
SENSOR, THROTTLE POSITION (FOR E.F.I.)		3L9
SENSOR, WATER TEMPERATURE (FOR E.F.I.)		3L9
SHACKLE KIT, FRONT SPRING		2H9
SHACKLE KIT, REAR SPRING		2L9
SHACKLE, LOAD SENSING SPRING, NO.1		2D9
SHACKLE, LOAD SENSING SPRING, NO.2		2D9
SHADE, REAR COMBINATION LAMP, NO.1 LH		3B8
SHADE, REAR COMBINATION LAMP, NO.1 RH		3F8
SHAFT ASSY, PROPELLER		2K4
SHAFT ASSY, PROPELLER, FRONT		2K4
SHAFT ASSY, STEERING INTERMEDIATE		2A7
SHAFT ASSY, STEERING INTERMEDIATE, NO.2		2A7
SHAFT ASSY, STEERING MAIN		2A7
SHAFT SUB-ASSY, FRONT AXLE OUTER		2J6
SHAFT SUB-ASSY, INPUT		2B2
SHAFT SUB-ASSY, OUTPUT		2G2
SHAFT SUB-ASSY, VALVE ROCKER, NO.1		1D2
SHAFT, BRAKE PEDAL		2C8
SHAFT, CONTROL (FOR FLOOR SHIFT)		2A1
SHAFT, CROSS		2K7
SHAFT, DIFFERENTIAL LOCK CABLE LINK		2B6
SHAFT, DIFFERENTIAL LOCK CONTROL, FRONT		2A6
SHAFT, DIFFERENTIAL LOCK CONTROL, REAR		2B5
SHAFT, DIFFERENTIAL LOCK LINK		2A6
SHAFT, FRONT AXLE, INNER LH		2J6
SHAFT, FRONT AXLE, INNER RH		2J6
SHAFT, FRONT DIFFERENTIAL PINION, NO.1		2F6
SHAFT, GOVERNOR VALVE, NO.1		2J2
SHAFT, GOVERNOR VALVE, NO.2		2J2
SHAFT, INTERMEDIATE		2G2
SHAFT, MANUAL VALVE LEVER		2J3
SHAFT, OIL PUMP		1E2
SHAFT, OIL PUMP DRIVEN		1E2
SHAFT, PARKING LOCK PAWL		2J3
SHAFT, REAR AXLE		215
SHAFT, REAR DIFFERENTIAL PINION		2E5
SHAFT, TRANSFER FRONT DRIVE SHIFT		2G4
SHAFT, TRANSFER HIGH AND LOW SHIFT FORK		2G4
SHAFT, TRANSFER IDLER GEAR		2D4
SHAFT, TRANSFER OUTPUT, FRONT		2E4
SHAFT, TRANSFER OUTPUT, REAR		2D4
SHAFT, TRANSFER SHIFT LEVER		2G4
SHAFT, VANE PUMP		2E7
SHEET, HEATER CONTROL NAME		3E9
SHIELD, STEERING COLUMN HOLE		2A7
SHIM (FOR THROTTLE VALVE CAM)		2G3
SHIM (FOR TRANSFER OUTPUT SHAFT)		2D4
SHIM, BACK DOOR STOPPER		3M5
SHIM, STEERING KNUCKLE ADJUST, NO.1		2E9
SHIM, TILT STEERING SUPPORT		2B7
SHOE KIT, REAR BRAKE		2J8
SHOE, FR DRIVE SHIFT LINK LEVER (FOR VACUUM MAGNET TYPE)		2H4
SHROUD SUB-ASSY, FAN		1M2
SILENCER		219
SILENCER SUB-ASSY, AIR SUCTION		113
SILENCER, FRONT DOOR LOCK LINK		3M4
SILENCER, REAR DOOR LOCK LINK		3G5
SILENCER, REAR SPRING		2M9
SLEEVE SUB-ASSY, SPEEDOMETER SHAFT (FOR ATM)		2J1
SLEEVE, BALL (FOR OIL PUMP OUTLET PIPE)		1F2
SLEEVE, BALL, EGR PIPE, NO.1		1M4
SLEEVE, FRONT DIFFERENTIAL LOCK		2G6
SLEEVE, FRONT DRIVE CLUTCH		2E4

1. MODELS COVERED & CHARACTERISTICS**D15****TOYOTA LAND CRUISER Station Wagon (Production from Aug. '87 up to Jan. '90)****TOYOTA LAND CRUISER Station Wagon**

Model	Engine	Production Period	Characteristic Expressions in Catalog Model Column		Model Name
FJ82LV-PNEA	3F-E	8708-8808	WGV	USA	Station Wagon
FJ82LG-PNEA	"	8708-9001	WGG	.	"
" -PNEK	"	8708-9001	"	CND	"

- WGV Station Wagon
- WGG Station Wagon G type
- USA For United States of America
- CND For Canada

<p>1C1 (11-01)</p>  <p>Partial Engine Assembly</p>	<p>1D1 (11-02)</p>  <p>Short Block Assembly</p>	<p>1E1 (11-03)</p>  <p>Overhaul Gasket Kit</p>	<p>1F1 (11-04)</p>  <p>Cylinder Head</p>	<p>1H1 (11-05)</p>  <p>Cylinder Block</p>	<p>1J1 (11-06)</p>  <p>Gear Cover & End Plate</p>	<p>1K1 (11-07)</p>  <p>Mounting</p>
<p>ENGINE GROUP (1/2)</p>						<p>1L1 (12-01)</p>  <p>Ventilation Hose</p>
<p>113 (17-06)</p>  <p>Manifold Air System</p>						<p>1M1 (13-01)</p>  <p>Crankshaft & Piston</p>
<p>1H3 (17-05)</p>  <p>Air Pump</p>						<p>1C2 (13-02)</p>  <p>Camshaft & Valve</p>
<p>1F3 (17-03)</p>  <p>Air Cleaner</p>						<p>1E2 (15-01)</p>  <p>Oil Pump</p>
<p>1D3 (17-02)</p>  <p>Exhaust Pipe</p>						<p>1K3 (17-08)</p>  <p>Vacuum Piping</p>
<p>1B3 (17-01)</p>  <p>Manifold</p>	<p>1A3 (16-05)</p>  <p>V-Belt</p>	<p>1J2 (16-03)</p>  <p>Radiator & Fan</p>	<p>1I2 (16-01)</p>  <p>Water Pump</p>	<p>1H2 (15-03)</p>  <p>Oil Cooler</p>	<p>1G2 (15-02)</p>  <p>Oil Filter</p>	

PART	NAME	LOCA TION
CLAMP OR CLIP, NO.2 (FOR AIR INJECTION SYSTEM HOSE, NO.2)		113
CLAMP OR CLIP, NO.3 (FOR AIR INJECTION SYSTEM HOSE, NO.3)		113
CLAMP OR CLIP, NO.4 (FOR AIR INJECTION SYSTEM HOSE, NO.4)		1J3
CLAMP, BALL GUIDE		2K7
CLAMP, BATTERY HOLD DOWN		3L6
CLAMP, BRAKE TUBE, NO.1		2C9
CLAMP, CORD		1D4
CLAMP, DOOR LOCK CYLINDER AND SLEEVE		3B6
CLAMP, FLEXIBLE HOSE, NO.1		2L3
CLAMP, FRONT DOOR LOCK LINK		3M4
CLAMP, HEATER CONTROL		3P11
CLAMP, OIL COOLER TUBE, NO.1		2K3
CLAMP, OIL COOLER TUBE, NO.2		2K3
CLAMP, OIL COOLER TUBE, NO.3		2K3
CLAMP, OIL COOLER TUBE, NO.4		2K3
CLAMP, POWER STEERING OIL COOLER INLET HOSE		2G7
CLAMP, REAR DOOR LOCK LINK		3G5
CLAMP, RESISTIVE CORD, NO.1		1C4
CLAMP, RESISTIVE CORD, NO.2		1C4
CLAMP, RESISTIVE CORD, NO.4		1C4
CLAMP, STEERING RELAY ROD END		2L7
CLAMP, TAIL GATE LOCK LINK		3M5
CLAMP, TIE ROD END		2M7
CLEANER ASSY, AIR		1F3
CLEVIS, MASTER CYLINDER PUSH ROD		2E8
CLEVIS, TRANSFER SHIFT ROD		2G4
CLIP (FOR AIR HOSE)		1J4
CLIP (FOR AIR SUCTION SILENCER HOSE)		113
CLIP (FOR FRONT DISC BRAKE ANTIRATTLE)		218
CLIP (FOR FRONT FLOOR CARPET)		3B3
CLIP (FOR FRONT SEAT CUSHION COVER)		3E6
CLIP (FOR FUEL PUMP FILTER)		1K4
CLIP (FOR FUEL PUMP HOSE)		1K4
CLIP (FOR HOOD INSULATOR)		3J1
CLIP (FOR HOOD TO COWL TOP SEAL)		3F2
CLIP (FOR HOOD TO RADIATOR SUPPORT SEAL)		3J1
CLIP (FOR LOAD SENSING VALVE BOOT)		2C9
CLIP (FOR RESERVOIR TUBE)		2E8
CLIP (FOR VACUUM HOSE)		2Q8
CLIP (FOR VENTILATION HOSE NO.2)		1L1
CLIP (FOR VENTILATION HOSE)		1L1
CLIP (FOR CONSOLE BOX)		3E3
CLIP, HOSE (FOR FRONT AXLE BREATHER HOSE)		2H6
CLIP, HOSE (FOR REAR AXLE BREATHER HOSE)		2G5
CLIP, ROCKER PANEL MOULDING		3F7
CLIP, ROOF HEADLINING		3E4
LOCK ASSY		3D9
LUTCH ASSY, MAGNET		3C12
LUTCH ASSY, 1 WAY		2H2
LUTCH SUB-ASSY, STARTER		1G4
LUTCH, 1 WAY (FOR OVERDRIVE)		2L1
LOCK SUB-ASSY, WATER DRAIN (FOR CYLINDER BLOCK)		1H1
OIL ASSY, IGNITION		1B4
COLLAR (FOR BRAKE PEDAL SHAFT)		2C3
COLLAR (FOR FLOOR SHIFT SETTING)		2A1
COLLAR (FOR LOAD SENSING SPRING SHACKLE)		2D9
COLLAR (FOR LOAD SENSING SPRING)		2C9
COLLAR (FOR STABILIZER BAR)		2J9
COLLAR (FOR TILT LEVER RETAINER)		2B7
COLLAR, MAIN SHAFT BEARING THRUST		2A7
COLLAR, REAR AXLE HOUSING SIDE		2F5
COLLAR, SPACE (FOR ALTERNATOR DRIVE END FRAME)		1F4
COLLAR, TILT STEERING SUPPORT, NO.1		2B7
COLLAR, TILT STEERING SUPPORT, NO.2		2B7
COLLAR (FOR DIFFERENTIAL LOCK BRACKET)		2A6

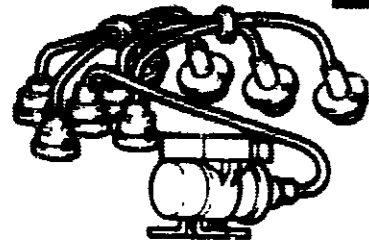
PART	NAME	LOCA TION
COMPARTMENT, GLOVE		3D2
COMPRESSOR ASSY, COOLER		3B12
COMPUTER ASSY, TRANSMISSION CONTROL		3K9
COMPUTER, ENGINE CONTROL		3L9
CONDENSER ASSY, COOLER		3M11
CONDENSER, ALTERNATOR		1E4
CONNECTOR SUB-ASSY, FUEL TUBE		3J7
CONTROL ASSY, BACK DOOR REMOTE		3M5
CONTROL ASSY, HEATER OR BOOST VENTILATOR		3J11
CONVERTER ASSY, TORQUE		2E1
CONVERTER ASSY, W/CATALYST		1E3
COOLER ASSY, OIL		1H2
CORD (FOR TILT STEERING)		2M6
CORD SET, COIL AND SPARK, W/RESISTIVE		1B4
CORD, COIL RESISTIVE		1B4
CORD, SPARK PLUG RESISTIVE, NO.1		1B4
CORD, SPARK PLUG RESISTIVE, NO.2		1B4
CORD, SPARK PLUG RESISTIVE, NO.3		1B4
CORD, SPARK PLUG RESISTIVE, NO.4		1B4
CORD, SPARK PLUG RESISTIVE, NO.5		1C4
CORD, SPARK PLUG RESISTIVE, NO.6		1C4
COUPLING ASSY, FLUID		112
COVER SUB-ASSY, CYLINDER HEAD		1G1
COVER SUB-ASSY, DISC BRAKE DUST, FRONT LH		2H8
COVER SUB-ASSY, DISC BRAKE DUST, FRONT RH		2H8
COVER SUB-ASSY, FREE WHEEL HUB		2K6
COVER SUB-ASSY, FRONT OIL PUMP		2F1
COVER SUB-ASSY, OIL PUMP		1E2
COVER SUB-ASSY, REAR AXLE HOUSING		2F5
COVER SUB-ASSY, SIDE		2K7
COVER SUB-ASSY, SLIDING SHAFT DUST		2L4
COVER SUB-ASSY, STEERING COLUMN HOLE, NO.1		2M6
COVER SUB-ASSY, STEERING WHEEL		2H7
COVER SUB-ASSY, TIMING CHAIN OR BELT		1J1
COVER SUB-ASSY, TRANSMISSION CASE DUST		2Q1
COVER, ADAPTER, NO.2		2H1
COVER, ADAPTOR, NO.1		2H1
COVER, BACK DOOR LOCK		3J5
COVER, BACK DOOR SERVICE HOLE		3K5
COVER, BACK DOOR SERVICE HOLE, NO.1		3J5
COVER, BACK DOOR SERVICE HOLE, NO.2		3J5
COVER, BACK DOOR SERVICE HOLE, NO.3		3J5
COVER, BACK DOOR SERVICE HOLE, NO.5		3J5
COVER, BACK WINDOW MOULDING JOINT, LOWER		3E7
COVER, COMBINATION METER, NO.1		3D9
COVER, CONNECTOR		3B9
COVER, CONSOLE, REAR		3E3
COVER, CONTROL SHAFT DUST, NO.1		2B6
COVER, CONTROL SHAFT DUST, NO.2		2B6
COVER, CONTROL SHAFT DUST, NO.3		2B6
COVER, CONTROL SHAFT DUST, NO.4		2B6
COVER, COOLER SWITCH HOLE		3D2
COVER, COWL PANEL HOLE		3F2
COVER, COWL SIDE INSTRUMENT PANEL BRACKET, LH		3C4
COVER, COWL SIDE INSTRUMENT PANEL BRACKET, RH		3C4
COVER, CYLINDER BLOCK SIDE, NO.2		1H1
COVER, DECK TRIM SIDE WASHER		3D4
COVER, DEFROSTER NOZZLE OPENING, NO.1		3E2
COVER, DIFFERENTIAL LOCK GROMMET		2A6
COVER, DIFFERENTIAL LOCK LEVER		3E3
COVER, DUST		2A7
COVER, ENGINE UNDER, NO.1		3C1
COVER, FLYWHEEL HOUSING FRONT		1J1
COVER, FRONT CLUTCH ACCUMULATOR		2M2
COVER, FRONT DIFFERENTIAL LOCK		2G6

PART	NAME	LOCATION	PART	NAME	LOCATION
SLEEVE, LOCK UP RELAY VALVE, NO.1		2A3	SPRING SUB-ASSY, 1ST & REVERSE BRAKE RETURN		2F2
SLEEVE, LOCK UP RELAY VALVE, NO.2		2A3	SPRING SUB-ASSY, 2ND BRAKE PISTON RETURN		2D2
SLEEVE, PRIMARY REGULATOR VALVE		2B3	SPRING, ALTERNATOR BRUSH		1F4
SLEEVE, REAR DIFFERENTIAL LOCK		2E5	SPRING, ANTI RATTLE NO.1 (FOR FRONT DISC BRAKE)		218
SLEEVE, SHIFT LEVER KNOB		2B1	SPRING, COMPRESSION		2B1
SLEEVE, THROTTLE VALVE, NO.1		2D3	SPRING, COMPRESSION (FOR ACCUMULATOR CONTROL VALVE NO.1)		2G3
SLEEVE, THROTTLE VALVE, NO.2		2E3	SPRING, COMPRESSION (FOR ACCUMULATOR PISTON NO.2)		2B3
SLEEVE, TRANSFER HIGH AND LOW CLUTCH		2E4	SPRING, COMPRESSION (FOR C-1 ACCUMULATOR PISTON)		2B3
SLEEVE, 2-3 SHIFT TIMING VALVE PLUG		2C3	SPRING, COMPRESSION (FOR C-2 ACCUMULATOR PISTON)		2C3
SLINGER, FRONT DIFFERENTIAL DRIVE PINION OIL		2E6	SPRING, COMPRESSION (FOR CHECK BALL)		2F1
SLINGER, REAR DIFFERENTIAL DRIVE PINION OIL		2C5	SPRING, COMPRESSION (FOR CHECK VALVE)		2B3
SNAP, DOOR INSIDE HANDLE ROD (FOR FRONT DOOR)		3L4	SPRING, COMPRESSION (FOR DETENT REGULATOR VALVE)		2D3
SNAP, DOOR INSIDE HANDLE ROD (FOR REAR DOOR)		3F5	SPRING, COMPRESSION (FOR DETENT ROD)		2B1
SOCKET AND WIRE SUB-ASSY, REAR SIDE MARKER LAMP		318	SPRING, COMPRESSION (FOR FLOW CONTROL VALVE)		2E7
SOCKET AND WIRE, CLEARANCE LAMP		3D8	SPRING, COMPRESSION (FOR FRONT CLUTCH PISTON RETURN)		2A2
SOCKET SUB-ASSY, COMBINATION METER BULB		3D9	SPRING, COMPRESSION (FOR GOVERNOR VALVE NO.2)		212
SOLENOID ASSY, DOOR CONTROL BACK		3110	SPRING, COMPRESSION (FOR GOVERNOR WEIGHT)		212
SOLENOID ASSY, DOOR CONTROL, FRONT LH		3110	SPRING, COMPRESSION (FOR HORN BUTTON CONTACT PLATE)		2H7
SOLENOID ASSY, DOOR CONTROL, FRONT RH		3110	SPRING, COMPRESSION (FOR INNER)		1C2
SOLENOID ASSY, DOOR CONTROL, REAR LH		3110	SPRING, COMPRESSION (FOR INTERMEDIATE MODULATOR VALVE)		2C3
SOLENOID ASSY, DOOR CONTROL, REAR RH		3110	SPRING, COMPRESSION (FOR LOCK UP RELAY VALVE)		2A3
SOLENOID ASSY, FOUR WHEEL DRIVE CONTROL		3J9	SPRING, COMPRESSION (FOR LOCK UP SIGNAL VALVE)		2A3
SPACER (FOR AIR CLEANER)		1F3	SPRING, COMPRESSION (FOR LOW MODULATOR VALVE)		2D3
SPACER (FOR FUEL INJECTOR)		1K4	SPRING, COMPRESSION (FOR OVERDRIVE CLUTCH EXHAUST VALVE)		2F3
SPACER (FOR GOVERNOR VALVE NO.2)		212	SPRING, COMPRESSION (FOR OVERDRIVE DIRECT CLUTCH)		2K1
SPACER (FOR HIGH & LOW SHIFT ROD)		2G4	SPRING, COMPRESSION (FOR PARKING BRAKE PAWL ROD)		2A8
SPACER (FOR HORN BUTTON CONTACT PLATE)		2H7	SPRING, COMPRESSION (FOR PRIMARY DOWN SHIFT PLUG)		2A3
SPACER (FOR MANUAL VALVE LEVER)		2J3	SPRING, COMPRESSION (FOR PRIMARY REGULATOR VALVE)		2B3
SPACER (FOR OUTPUT SHAFT)		2G2	SPRING, COMPRESSION (FOR PRIMARY THROTTLE VALVE)		2E3
SPACER (FOR OUTPUT SHAFT REAR BEARING)		2G2	SPRING, COMPRESSION (FOR REAR CLUTCH PISTON RETURN)		2B2
SPACER (FOR TRANSFER OUTPUT SHAFT)		2D4	SPRING, COMPRESSION (FOR REAR DIFFERENTIAL LOCK RETAINER)		2F5
SPACER OR WASHER, FRONT AXLE DRIVE PINION THRUST		2H6			2H6
SPACER, DIFFERENTIAL PINION SHAFT		2E5	SPRING, COMPRESSION (FOR REAR SIDE PLATE)		2F7
SPACER, DRIVE PLATE, FRONT		2E1	SPRING, COMPRESSION (FOR ROCKER ARM)		1D2
SPACER, DRIVE PLATE, REAR		2E1	SPRING, COMPRESSION (FOR SECONDARY DOWN SHIFT PLUG)		2A3
SPACER, FRONT DIFFERENTIAL DRIVE PINION BEARING		2E6	SPRING, COMPRESSION (FOR SECONDARY REGULATOR VALVE)		2F3
SPACER, HORN CONTACT		2H7	SPRING, COMPRESSION (FOR SECONDARY THROTTLE VALVE)		2F3
SPACER, INSTRUMENT PANEL, NO.1		3C2	SPRING, COMPRESSION (FOR SHIFT DETENT BALL)		2F4
SPACER, MANUAL DETENT SPRING		2G3	SPRING, COMPRESSION (FOR STEERING LINK JOINT)		2H7
SPACER, RADIATOR MOUNTING INSULATOR		1L2	SPRING, COMPRESSION (FOR STEERING MAIN SHAFT)		2A7
SPACER, REAR DIFFERENTIAL DRIVE PINION BEARING		2C5	SPRING, COMPRESSION (FOR TRANSFER FR DRIVE SHIFT SHAFT)		2G4
SPACER, TRANSFER IDLER GEAR		2E4	SPRING, COMPRESSION (FOR 1-2 RELAY VALVE)		2E3
SPACER, TRANSFER INPUT SHAFT		2E4	SPRING, COMPRESSION (FOR 1-2 SHIFT VALVE)		2E3
SPANNER		1A1	SPRING, COMPRESSION (FOR 2-3 SHIFT TIMING VALVE)		2G3
SPEAKER, REAR SPRING, NO.1		2M9	SPRING, COMPRESSION (FOR 2-3 SHIFT VALVE)		2E3
SPEAKER ASSY, FRONT NO.1		3M10	SPRING, COMPRESSION (FOR 2ND LOCK VALVE)		2F3
SPEAKER ASSY, REAR		3M10	SPRING, COMPRESSION (FOR 3-4 SHIFT VALVE)		2G3
SPEEDOMETER ASSY		3D9	SPRING, CONICAL (FOR VALVE ROCKER SHAFT)		1D2
SPIDER KIT, UNIVERSAL JOINT (FOR PROPELLER SHAFT)		2K4	SPRING, FUEL FILLER OPENING LID HINGE		3K7
SPIDER KIT, UNIVERSAL JOINT (FOR STEERING MAIN SHAFT)		2H6	SPRING, HEADLAMP TENSION		3A8
SPINDLE SUB-ASSY, STEERING KNUCKLE		2F9	SPRING, INNER REAR VIEW MIRROR		3C11
SPRING (FOR BRAKE PEDAL RETURN)		2C8	SPRING, OIL PUMP RELIEF VALVE		1E2
SPRING (FOR LOWER VALVE BODY)		2B3	SPRING, RETAINER (FOR VALVE ROCKER SHAFT)		1D2
SPRING (FOR OVERDRIVE BRAKE ACCUMULATOR PISTON)		2M2	SPRING, STARTER BRUSH		1G4
SPRING (FOR REAR BRAKE SHOE HOLD DOWN)		2J8	SPRING, STARTER MAGNET SWITCH RETURN		1H4
SPRING (FOR THROTTLE VALVE SLEEVE)		2E3	SPRING, TENSION (FOR ACCELERATOR LINK ROD)		3M7
SPRING (FOR 3-2 KICK DOWN ORIFICE CONTROL VALVE)		2G5	SPRING, TENSION (FOR PARKING BRAKE BELL CRANK RETURN)		2L8
SPRING ASSY, FRONT, LH		219	SPRING, TENSION (FOR REAR BRAKE AUTOMATIC ADJUST LEVER)		2K8
SPRING ASSY, FRONT, RH		2H9	SPRING, TENSION (FOR REAR BRAKE SHOE RETURN)		2J8
SPRING ASSY, LOAD SENSING		2C9			2K8
SPRING ASSY, REAR LH		2M9	SPRING, TENSION (FOR STEERING TILT LEVER)		2B7
SPRING ASSY, REAR RH		2L9	SPRING, TENSION (FOR TILT STEERING)		2M6
SPRING SUB-ASSY, MANUAL DETENT		2B3	SPRING, TORSION (FOR PARKING LOCK PAWL)		2J3
SPRING SUB-ASSY, OVERDRIVE BRAKE RETURN		2K1	STARTER ASSY		1G4
SPRING SUB-ASSY, REAR WHEEL CYLINDER PISTON		2K8	STATOR ASSY, ALTERNATOR		1F4

PART NUMBER	LOCATION	PART NUMBER	LOCATION	PART NUMBER	LOCATION	PART NUMBER	LOCATION	PART NUMBER	LOCATION	PART NUMBER	LOCATION
57405-90A07-	3H2	P 58570-90A28-03	3B3	61341-90A00-	3H3	62505-90A03-08	3D4	62372-90A00-	3F4	67610-90G04-03	314
57407-90A43-	3H2	P -90A28-06	3B3	61342-90A00-	3H3	62506-90A03-08	3D4	P 63392-90A00-18	3F4	-90G04-06	314
-90A46-	3H2	-90A39-03	3B3	61345-90A00-	3H3	62510-90A31-03	3D4	P 63396-90A00-18	3F4	-90G07-03	314
57417-90A03-	3J2	-90A39-06	3B3	61346-90A00-	3H3	-90A31-06	3D4	P 63397-90A00-18	3F4	-90G07-06	314
57425-90A02-	3J2	58573-90A00-	3B3	61401-90A06-	3H3	-90A34-03	3D4	63435-90A00-	3L3	P -90G42-03	314
57426-90A04-	3J2	58705-90A01-	3G7	61402-90A06-	3H3	-90A34-06	3D4	63436-90A00-	3L3	P -90G42-06	314
57427-90A00-	3J2	58714-90A00-	3K2	61503-90A00-	3H3	P 62520-90A44-03	3D4	63437-90A00-	3L3	P -90G49-03	314
57468-90A01-	3J2	58790-90A01-	3G7	61504-90A00-	3H3	-90A44-06	3D4	63438-90A00-	3M3	P -90G49-06	314
-90A02-	3J2	58793-90A01-	3G7	61511-90A01-	313	-90A52-03	3D4	63439-90A00-	3M3	67620-90G07-03	3J4
57483-90A00-	3J2	P 58825-90A01-03	3E3	61512-90A01-	313	-90A52-06	3D4	63442-90A00-	3M3	-90G14-03	3J4
57511-90A03-	3J2	-90A01-06	3E3	61607-90A04-	313	P 62539-90A01-03	3D4	63443-90A00-	3M3	-90G14-06	3J4
57605-90A02-	3M2	P 58841-90A01-03	3E3	-90A05-	313	-90A01-06	3D4	63444-90A00-	3M3	P -90G41-03	3J4
57606-90A09-	3M2	-90A01-06	3E3	61608-90A00-	313	P 62549-90A00-03	3D4	63445-90A00-	3M3	P -90G41-06	3J4
57635-90A03-	3H2	P 58911-90A02-03	3E3	-90A01-	313	-90A00-16	3D4	63447-90A00-	3M3	P -90G48-03	3J4
57805-90A00-	3M2	-90A02-06	3E3	61611-90A03-	313	P 62613-90A07-03	3D4	63448-90A00-	3M3	P -90G48-06	3J4
58041-9CA01-	3A3	-90A03-03	3E3	61612-90A03-	313	-90A07-06	3D4				
58043-90A00-	3A3	P -90A03-06	3E3	61631-90A03-	313	P -90A09-03	3D4	63449-90A00-	3M3	67630-90A25-03	3C5
58107-90A00-	3J2	P -90A05-03	3E3	61632-90A03-	313	-90A09-06	3D4	63457-90A00-	3M3	-90A25-06	3C5
58111-90A46-	3J2	P -90A05-06	3E3	61645-90A00-	313	62614-90A00-03	3D4	63458-90A00-	3M3	-90A28-03	3C5
58151-90A05-	3A3	P -90A06-03	3E3	61646-90A00-	313	-90A00-16	3D4	63459-90A00-	3M3	-90A28-06	3C5
58153-90A01-	3A3	P -90A06-06	3E3	61705-90A30-	313	-90A02-03	3D4	P 64739-90K01-03	3D4	P -90A33-03	3D5
58155-90A01-	3A3	58918-90A00-	3E3	-90A00-	313	-90A02-06	3D4	-90K01-06	3D4	P -90A33-06	3D5
58188-90A03-	3J2	58936-60010-	2B1	61706-90A66-	313	P 62633-90A09-08	3D4	64777-90A00-	3G7	P -90A36-03	3D5
58192-90A00-	3J2	P 58944-90A00-03	3E3	-90A67-	313	-90A11-08	3D4	P 64780-90A01-13	3J5	P -90A36-06	3D5
58203-90A00-	3J2	-90A00-06	3E3	61709-90A02-	313	62634-90A09-08	3D4	-90A01-16	3J5	67640-90A25-03	3D5
58204-90A00-	3J2	P -90A01-03	3E3	61711-90A01-	313	-90A11-08	3D4	64798-90A00-	3J5	-90A25-06	3D5
58211-90A21-	3J2	P -90A01-04	3E3	61712-90A01-	313	P 62640-90A17-03	3D4	65061-90A13-	3J5	-90A28-03	3D5
-90A24-	3J2	P 58947-90A03-03	3E3	61733-90A02-	313	-90A17-06	3D4	65557-90A01-	3M2	-90A28-06	3D5
-90A26-	3J7	-90A03-06	3E3	-90A03-	313	P 62650-90A06-03	3D4	65706-90A00-	3L5	P -90A34-03	3D5
-90A28-	3J2	P 58951-90A01-03	3E3	-90A05-	313	-90A06-06	3D4	65707-90A00-	3L5	P -90A34-06	3D5
58231-90A00-	3A3	P -90A01-06	3E3	61734-90A01-	313	62711-90A12-	3K3	65777-90A00-	3L5	P -90A37-03	3D5
58247-90A00-	3J2	58959-16010-	3F3	-90A03-	313	62712-90A11-	3K3	66110-90A00-	3L5	P -90A37-06	3D5
58248-90A00-	3K2	58964-30030-	3F3	-90A05-	313	62741-90A01-	3K3	66301-90A00-	3M2	P 67651-90A01-03	3J4
58256-90B00-	3J2	-90K00-	3F3	61743-90A02-	313	62795-90A00-	3D7	66318-90A00-	3M2	P -90A01-06	3J4
58261-90A04-	3A3	58965-12010-	3F3	61745-90A01-	3J3	62903-90A00-	3A4	67001-90A40-	314	67687-90A00-	3J5
58263-90A02-	3K2	-20020-	3F3	61746-90A01-	3J3	62904-90A00-	3A4	-90A44-	314	67689-90A00-	3J5
58268-90A05-	3K2	58976-20010-	3F3	61791-90B01-	3J3	62905-69015-	3A4	67002-90A47-	314	67763-90A00-	3J5
58279-90A00-	3J7	58985-90A00-	3F3	61793-90A00-	3J3	62906-69015-	3A4	-90A50-	314	67766-90A00-	3J5
58290-90A04-	3K2	58995-90A04-	3F3	62101-90A00-03	3C4	62909-22010-	3A4	67003-90A15-	3C5	67767-90A00-	3J5
-90A05-	3K2	58997-90A02-	3F3	-90A00-16	3C4	63105-90A00-	3L3	-90A17-	3C5	67769-90A00-	3J5
58303-90A00-	3M2	61027-90A04-	3G3	P 62102-90A00-03	3C4	63111-90A00-	3L3	67004-90A15-	3C5	67771-22010-	3J4
58304-90A00-	3M2	61028-90A04-	3G3	-90A00-16	3C4	-90A01-	3L3	-90A17-	3C5	-30060-	3D5
58305-90A08-	3M2	61031-90A02-	3G3	P 62163-90A00-03	3C4	63132-90A00-	3L3	67005-90A20-	3J5	P 67777-22040-23	3J4
58306-90A12-	3M2	61032-90A00-	3G3	-90A00-16	3C4	63141-90A00-	3L3	-90A27-	3J5	P -22040-36	3J4
58307-90A00-	3M2	61034-90A00-	3J3	P 62164-90A00-03	3C4	63145-90A00-	3L3	67111-90A15-	314	P 67778-22030-23	3J4
58308-90A03-	3M2	61101-90A08-	3G3	-90A00-16	3C4	P 63310-90A11-08	3E4	-90A18-	314	P -22030-46	3J4
58311-90A19-	3M2	61102-90A07-	3G3	62311-90A00-03	3C4	63341-90A01-	3E4	67112-90A15-	314	P 67805-90A01-	3D5
-90A20-	3M2	61154-90C00-	3G4	-90A00-06	3C4	63343-90A01-	3E4	-90A18-	314	67813-90A00-	3J3
58315-90A07-	3M2	61161-9CA03-	3G3	-90A01-03	3C4	63344-90A01-	3E4	67113-90A05-	3C5	67814-90A00-	3J3
58316-90A07-	3M2	61162-90A03-	3G3	-90A01-06	3C4	63353-90A00-	3E4	67114-90A05-	3C5	P 67832-90A04-	3J4
58325-90A00-	3M2	61183-90A01-	3G3	62312-90A00-03	3C4	63354-90A00-	3E4	67118-90A02-	314	P -90A07-	3J4
58339-90A00-	3M2	61184-90A00-	3G3	-90A00-06	3C4	63361-90A00-	3E4	-90A03-	314	57847-90A01-	3K5
58344-90A01-	3A3	61197-90A00-	3H3	-90A01-03	3C4		3F4	67207-90A00-	3L5	67861-90A00-	3J4
58345-90A00-	3A3	61211-90A01-	3H3	-90A01-06	3C4	-90A01-	3E4	67209-90A00-	3L5	67862-90A00-	3J4
58348-90A00-	3M2	61212-90A01-	3H3	62313-90A00-03	3C4	-90A02-	3E4	67285-90A00-	3L5	67868-30040-	3D5
58367-90A00-	3M2	61231-90A03-	3H3	-90A00-16	3C4	62333-90A00-03	3C4	67286-90A00-	3L5		3J4
58410-90A00-	3G4	61232-90A02-	3H3	-90A00-16	3C4	-90A00-16	3C4	67401-90A00-	314	67871-90A00-	3D5
58418-90A00-	3G4	61263-90A01-	3H3	P 62411-90A01-03	3C4	63362-90A00-	3F4	67402-90A00-	314	67872-90A00-	3D5
58457-90A00-	3G4	61264-90A01-	3H3	-90A01-16	3C4	-90A01-	3F4	67403-90A00-	314	67881-90A06-	3K5
P 58510-90A85-03	3B3	61267-90A00-	3H3	P 62412-90A01-03	3C4	-90A02-	3F4	67404-90A00-	314	67891-90A01-	3K5
-90A85-06	3B3	61268-90A00-	3H3	-90A01-16	3C4	63363-90A00-	3F4	67407-90A00-	3C5	P 67913-90A00-03	3B3
P 58540-90A83-03	3B3	61330-90A04-	3H3	P 62471-90A00-18	3C4	-90A01-	3F4	67408-90A00-	3C5	P -90A00-16	3B3
-90A83-06	3B3	61340-90A05-	3H3	-90A01-16	3C4	-90A02-	3F4	67481-90A00-	314	67917-90A00-03	3C3
		-90A07-	3H3	P 62472-90A00-18	3C4	63371-30050-	3F4	67482-90A00-	314	-90A00-16	3C3

1B4 (19-01)

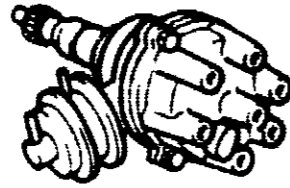
1



Ignition Coil & Cord

1D4 (19-02)

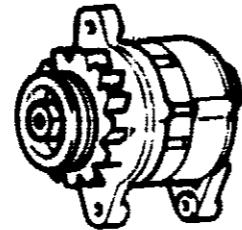
2



Distributor

1E4 (19-03)

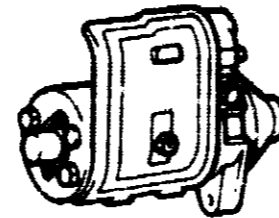
3



Alternator

1G4 (19-04)

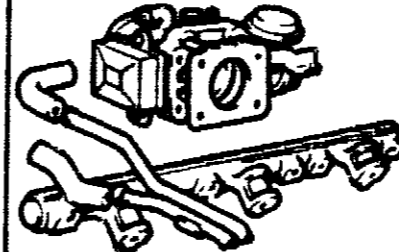
4



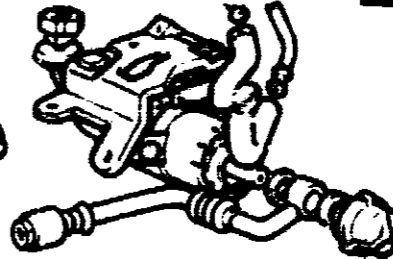
Starter

1I4 (22-11)

5

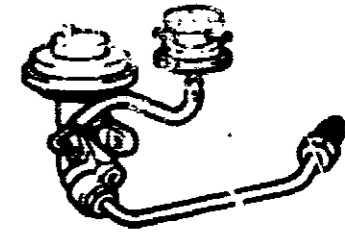


EFI System



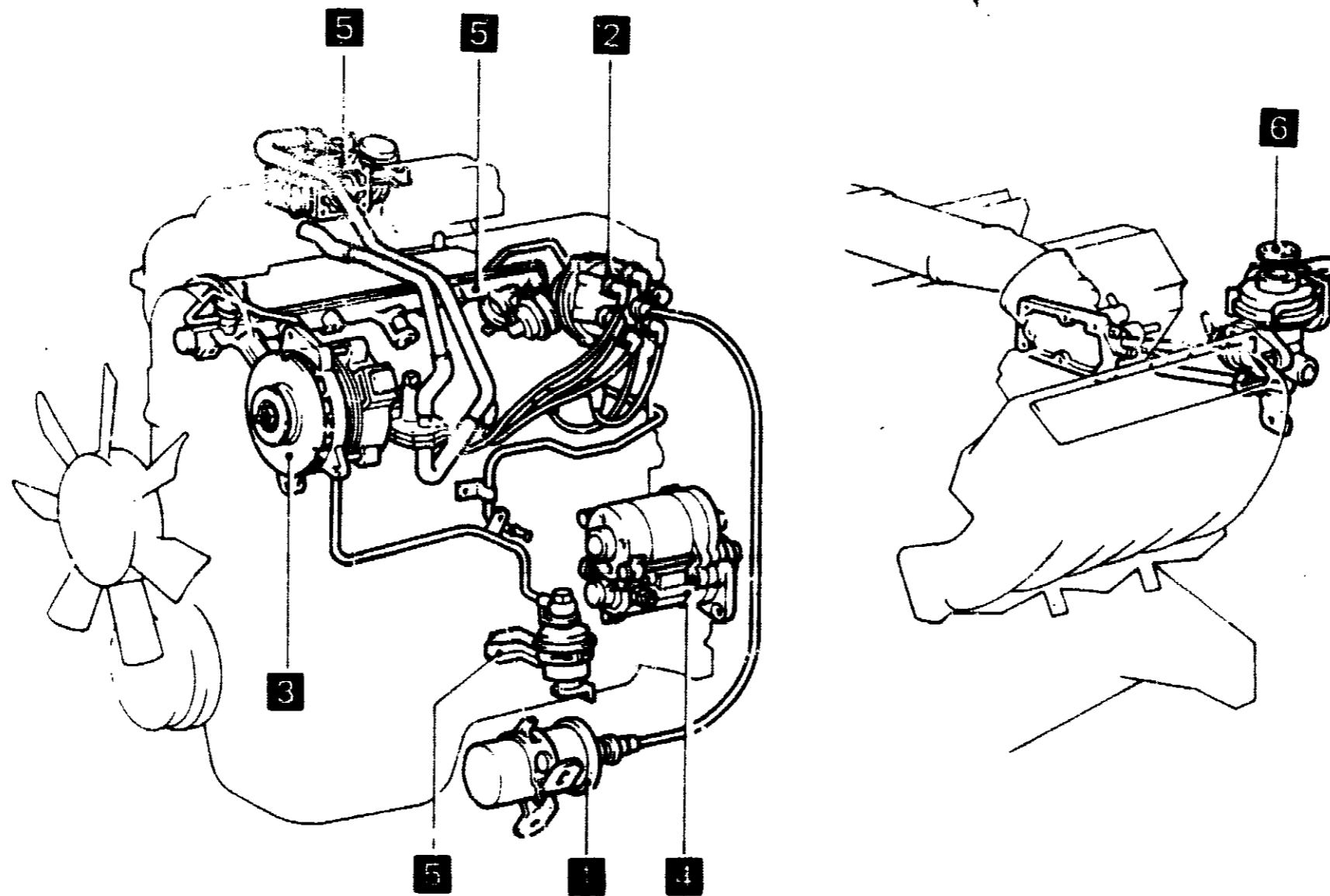
1M4 (25-01)

6



EGR System

ENGINE, FUEL GROUP (2/2)

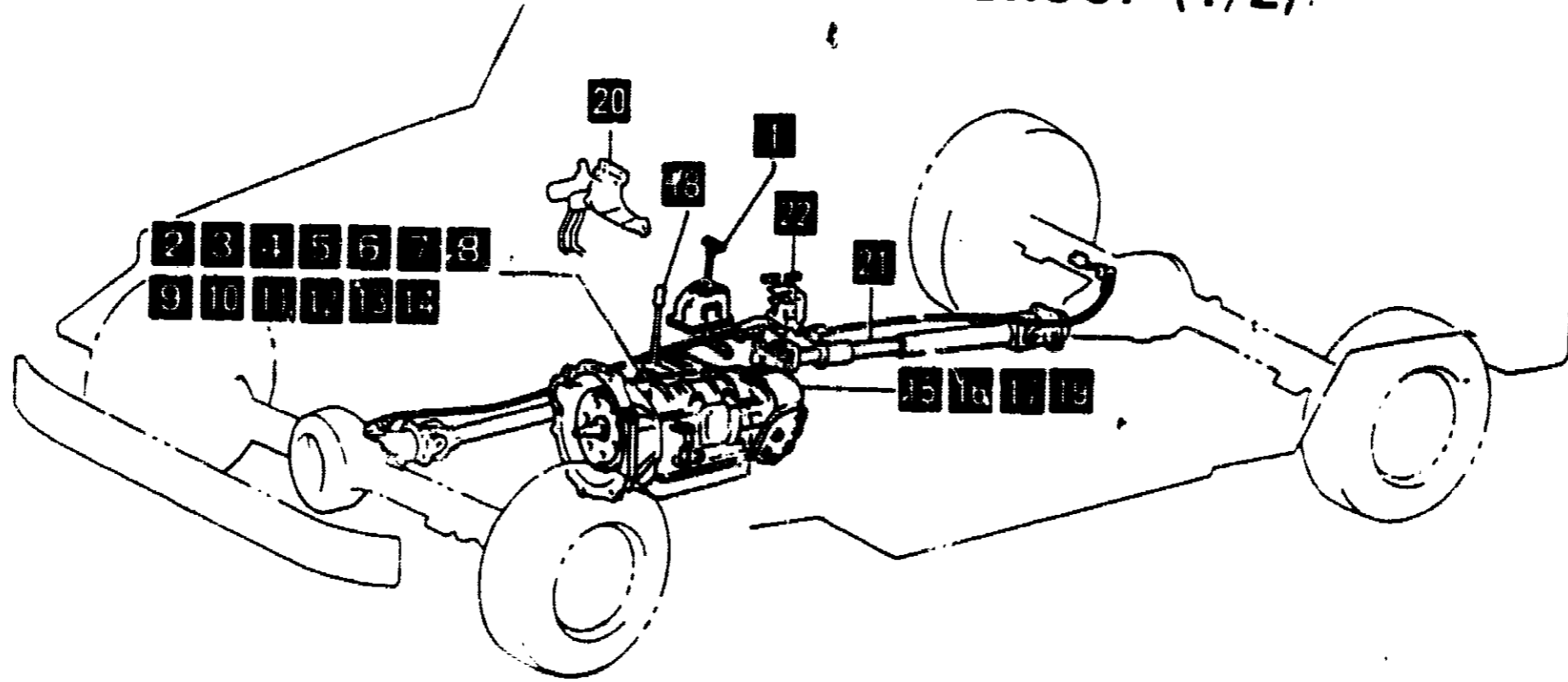


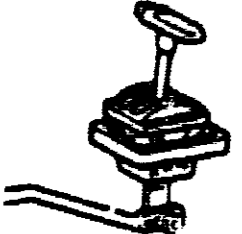
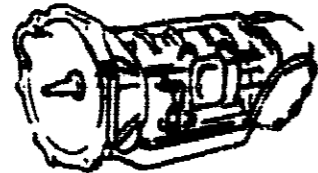


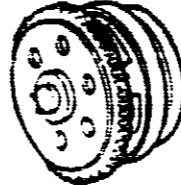
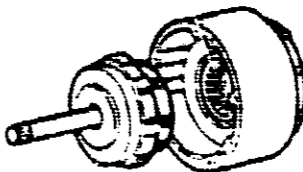

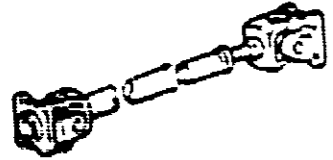
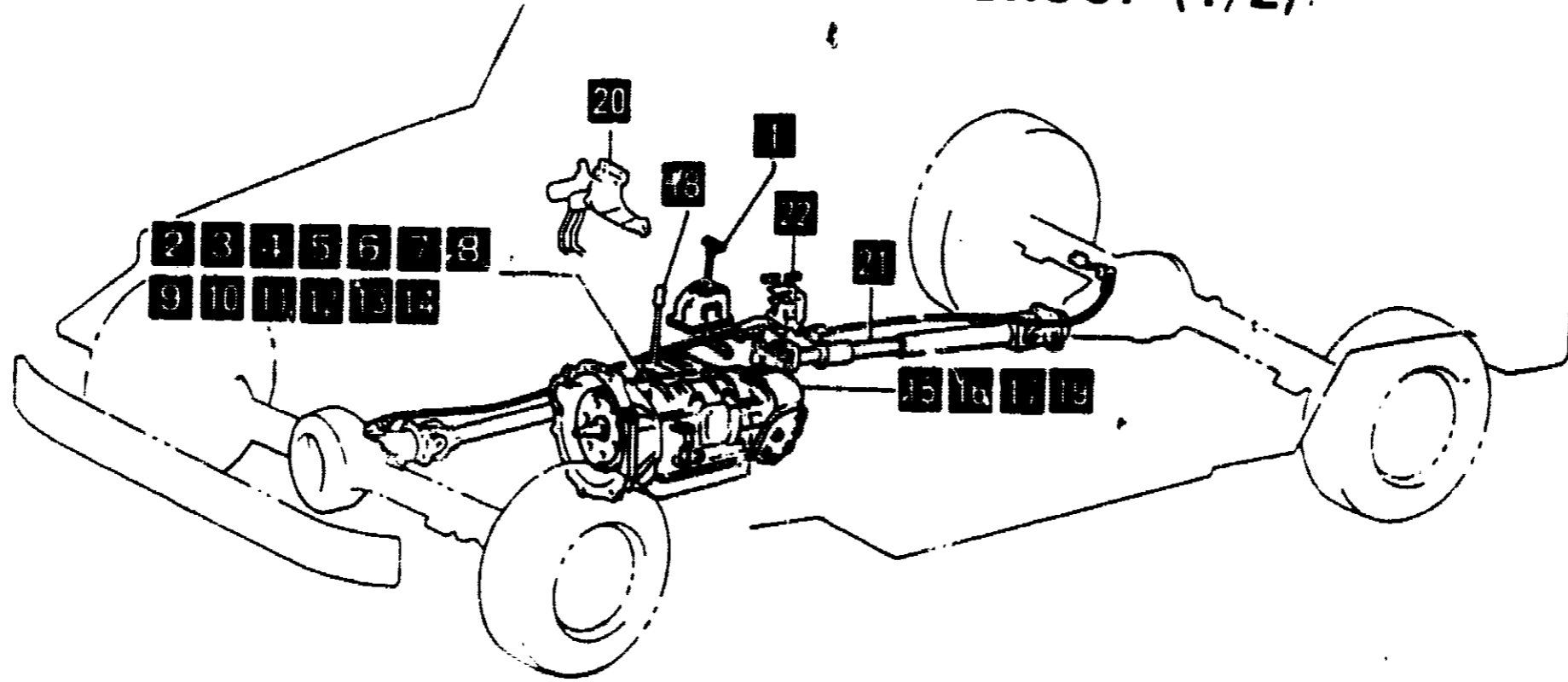
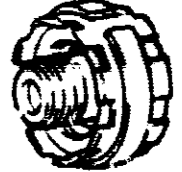
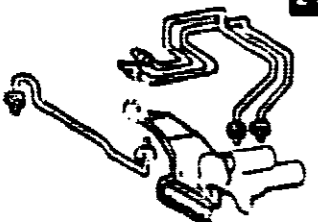
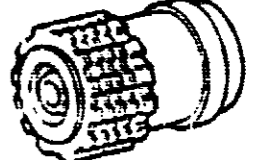



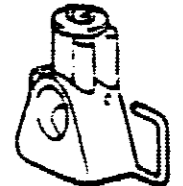



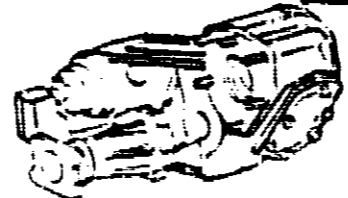



PART	NAME	LOCATION	PART	NAME	LOCATION
COVER, FRONT DOOR SERVICE HOLE, LH		3J4	CRANK, PARKING BRAKE BELL, RH		2L8
COVER, FRONT DOOR SERVICE HOLE, RH		3J4	CRANKSHAFT		1A2
COVER, FRONT PILLAR, LH		3H3	CROSSMEMBER SUB-ASSY, FRAME, FRONT		3A1
COVER, FRONT PILLAR, RH		3H3	CROSSMEMBER SUB-ASSY, FRAME, NO.2		3A1
COVER, FRONT SEAT BACK, LH (FOR SEPARATE TYPE)		3D6	CROSSMEMBER SUB-ASSY, FRAME, NO.3		3A1
COVER, FRONT SEAT BACK, RH (FOR SEPARATE TYPE)		3D6	CROSSMEMBER SUB-ASSY, FRAME, NO.4		3A1
COVER, FRONT SEAT CUSHION, LH (FOR SEPARATE TYPE)		3D6	CROSSMEMBER SUB-ASSY, FRAME, NO.5		3A1
COVER, FRONT SEAT CUSHION, RH (FOR SEPARATE TYPE)		3D6	CROSSMEMBER SUB-ASSY, FRAME, REAR		3A1
COVER, FUSE BOX OPENING		3D2	CUF KIT, REAR WHEEL CYLINDER		2J8
COVER, GLOVE COMPARTMENT DOOR LOCK		3D2	CUP, SHOE HOLD DOWN SPRING (FOR REAR BRAKE)		2K8
COVER, IGNITION COIL		184	CUSHION (FOR FUEL INLET BOX COVER)		3K7
COVER, INNER REAR VIEW MIRROR STAY HOLDER		3C11	CUSHION (FOR GLOVE COMPARTMENT)		3D2
COVER, MANUAL DETENT SPRING		2H3	CUSHION (FOR STOP LAMP SWITCH)		2C8
COVER, PARKING BRAKE LEVER		2A8	CUSHION ASSY, FRONT SEAT, LH (FOR SEPARATE TYPE)		3E6
COVER, POSITION INDICATOR HOUSING		2B1	CUSHION ASSY, FRONT SEAT, RH (FOR SEPARATE TYPE)		3E6
COVER, QUARTER TRIM UPPER BELT HOLE, LH		3D4	CUSHION ASSY, REAR SEAT (FOR BENCH TYPE)		3E6
COVER, QUARTER TRIM UPPER BELT HOLE, RH		3D4	CUSHION SUB-ASSY, CAB FR MOUNTING, LWR		3E1
COVER, QUARTER WHEEL HOUSE, LH		3D4	CUSHION SUB-ASSY, CAB FRONT MOUNTING		3E1
COVER, QUARTER WHEEL HOUSE, RH		3D4	CUSHION SUB-ASSY, CAB MOUNTING, NO.2 UPPER		3E1
COVER, QUARTER WINDOW MOULDING JOINT, LH		3D7	CUSHION SUB-ASSY, CAB MOUNTING, NO.4 LOWER		3E1
COVER, QUARTER WINDOW MOULDING JOINT, RH		3D7	CUSHION SUB-ASSY, CAB MOUNTING, NO.4 UPPER		3E1
COVER, REAR BODY MOUNTING SERVICE HOLE		3M2	CUSHION SUB-ASSY, NO.3 BODY MOUNTING LOWER		3E1
COVER, REAR COMBINATION LAMP, LH		3G8	CUSHION SUB-ASSY, NO.3 BODY MOUNTING, LOWER		3E1
COVER, REAR COMBINATION LAMP, RH		3F8	CUSHION, BODY MOUNT NO.3 UPPER		3F1
COVER, REAR DIFFERENTIAL LOCK		2E9	CUSHION, BODY MOUNT, NO.1 LOWER		3E1
COVER, REAR DOOR SERVICE HOLE		3D5	CUSHION, BODY MOUNT, NO.1 UPPER		3E1
COVER, REAR FLOOR SERVICE HOLE		3M2	CUSHION, BODY MOUNT, NO.2 UPPER		3E1
COVER, REAR PILLAR, LH		3C4	CUSHION, CONSOLE COMPARTMENT DOOR		3F3
COVER, REAR PILLAR, RH		3C4	CUSHION, EXHAUST PIPE SUPPORT		1E3
COVER, REAR SEAT BACK (FOR BENCH TYPE)		3D6	CUSHION, FRONT STABILIZER		2J9
COVER, REAR SEAT CUSHION (FOR BENCH TYPE)		3D6	CUSHION, OIL COOLER TUBE		2L3
COVER, REAR SEAT CUSHION LOCK		3G6	CUSHION, REAR SEAT BACK LOCK		3G6
COVER, REAR WIPER ARM		3C10	CUSHION, SEAT SUPPORT		3E6
COVER, RECLINING HINGE, LH		3Q6	CUSHION, SIDE PANEL STIFFENER, NO.4		3G4
COVER, RECLINING HINGE, RH		3G6	CUSHION, TAIL PIPE (FOR CENTER)		1E3
COVER, REMOTE CONTROL MIRROR HOLE		3D2	CUSHION, TAIL PIPE (FOR FRONT)		1E3
COVER, ROOF DRIP SIDE FINISH MOULDING JOINT, LH		3E7	CUSHION, TAIL PIPE (FOR REAR)		1E3
COVER, ROOF DRIP SIDE FINISH MOULDING JOINT, RH		3E7	CYLINDER & KEY SET, IGNITION SWITCH LOCK		3A6
COVER, ROOF SIDE INNER SERVICE HOLE		3J3	CYLINDER AND KEY SET, BACK DOOR LOCK		3A6
COVER, RR COOLER SWITCH HOLE		3D2	CYLINDER AND KEY SET, DOOR LOCK, LH		3A6
COVER, SENSOR		3K9	CYLINDER AND KEY SET, DOOR LOCK, RH		3A6
COVER, SHIFTING HOLE		3E3	CYLINDER AND KEY SET, FUEL FILLER LID		3A6
COVER, SLIDE (FOR POSITION INDICATOR)		2B1	CYLINDER AND KEY SET, GLOVE COMPARTMENT LOCK		3A6
COVER, SLIDE, NO.2 (FOR POSITION INDICATOR)		2B1	CYLINDER ASSY, DIAPHRAGM		2H4
COVER, SPARE SWITCH HOLE		3D2	CYLINDER ASSY, DISC BRAKE, LH		2I8
COVER, STABILIZER LINK (FOR FRONT)		3E3	CYLINDER ASSY, FRONT DIFFERENTIAL LOCK		2G6
COVER, STABILIZER LINK (FOR REAR)		2J9	CYLINDER ASSY, FRONT DISC BRAKE, RH		2H8
COVER, STEERING COLUMN		2A10	CYLINDER ASSY, REAR DIFFERENTIAL LOCK		2E5
COVER, STEREO OPENING		2A7	CYLINDER ASSY, REAR WHEEL BRAKE (FOR LH, FRONT OR UPPER)		2K8
COVER, SURGE TANK		3D2	CYLINDER ASSY, REAR WHEEL BRAKE (FOR RH, FRONT OR UPPER)		2K8
COVER, TILT STEERING SUPPORT STOPPER		1C3	CYLINDER KIT, BRAKE MASTER		2D8
COVER, TRANSFER CASE, NO.2		2C7	CYLINDER KIT, DISC BRAKE, FRONT		2H8
COVER, TRANSFER POWER TAKE-OFF		2B4	CYLINDER KIT, REAR WHEEL		2J8
COVER, TRANSMISSION		2B4	CYLINDER SET, LOCK		A6
COVER, TRANSMISSION CASE, REAR		3K2	CYLINDER SUB-ASSY, BRAKE MASTER		2D8
COVER, TRANSMISSION UNDER		2H1	DAMPER ASSY, FUEL PRESSURE PULSATION		1K4
COVER, VALVE BODY, NO.2		3C1	DAMPER ASSY, STEERING		2M7
COVER, VALVE PUSH ROD		2F3	DASHPOT SUB-ASSY		1J4
COVER, WATER PROOF (FOR DISTRIBUTOR)		1H1	DEFLECTOR, BRAKE DRUM OIL		2J5
COVER, WINDSHIELD MOULDING JOINT, LOWER		1D4	DEFLECTOR, BREATHER OIL		2B4
COVER, WINDSHIELD MOULDING JOINT, UPPER LH		3D7	DEFLECTOR, DUST		2A4
COVER, WINDSHIELD MOULDING JOINT, UPPER RH		3D7	DEFLECTOR, DUST (FOR FRONT DIFFERENTIAL)		2F6
COVER, WINDSHIELD WIPER ARM		3D7	DEFLECTOR, DUST (FOR REAR DIFFERENTIAL)		2C5
CRANK, PARKING BRAKE BELL, LH		3A10	DIODE		3B9
		2L8	DISC, CLUTCH (FOR BRAKE)		2D2

PART	NAME	LOCA TION	PART	NAME	LOCA TION
STATOR SUB-ASSY, MAGNET CLUTCH		3B12	SWITCH ASSY, COURTESY LAMP (FOR REAR DOOR)		319
STAY ASSY, BACK DOOR, LH		3M5	SWITCH ASSY, HAZARD WARNING SIGNAL		319
STAY ASSY, BACK DOOR, RH		3M5	SWITCH ASSY, HEADLAMP DIMMER		319
STAY SUB-ASSY, TAIL GATE, LH		3L5	SWITCH ASSY, HEATER BLOWER		3J7
STAY SUB-ASSY, TAIL GATE, RH		3L5	SWITCH ASSY, IGNITION OR STARTER		319
STAY, CONTROL SHAFT BRACKET		2B6	SWITCH ASSY, LIGHT CONTROL, NO.1		319
STAY, EGR PIPE, NO.1		1H4	SWITCH ASSY, NEUTRAL START		319
STAY, MANIFOLD		1C3	SWITCH ASSY, OUTER MIRROR		3J9
STAY, MANIFOLD, NO.2		1C3	SWITCH ASSY, POWER WINDOW REGULATOR		3J9
STAY, REAR BUMPER SIDE, LH		3H1	SWITCH ASSY, REAR WINDOW DEFOGGER		3J9
STAY, REAR BUMPER SIDE, RH		3H1	SWITCH ASSY, STOP LAMP		319
STAY, SURGE TANK, NO.1		1C3	SWITCH ASSY, TURN SIGNAL		319
STOPPER SUB-ASSY, BACK DOOR, LH		3L5	SWITCH ASSY, WINDSHIELD WIPER		319
STOPPER SUB-ASSY, BACK DOOR, RH		3L5	SWITCH ASSY, MAGNETIC		1G4
STOPPER, ACCELERATOR PEDAL		3M7	SWITCH, GLOVE BOX LAMP		319
STOPPER, CONSOLE COMPARTMENT DOOR, NO.1		3F3	SWITCH, PRESSURE		3H11
STOPPER, CONSOLE COMPARTMENT DOOR, NO.2		3F3	SWITCH, REAR WIPER		3J9
STOPPER, FUEL FILLER OPENING LID		3K7	SWITCH, START INJECTOR TIME		3L9
STOPPER, GLOVE COMPARTMENT DOOR ARM		3D2	SWITCH, TEMPERATURE DETECT, NO.2		3K9
STOPPER, STEERING SHAFT THRUST		2B7	SWITCH, TRANSFER INDICATOR, NO.1		319
STOPPER, VALVE VIBRATING		2B3	SWITCH, TRANSMISSION CONTROL		3J9
STRAINER SUB-ASSY, OIL		2A3	SWITCH, WATER TEMPERATURE (FOR E.F.)		3L9
STRAINER, BRAKE MASTER CYLINDER RESERVOIR		2E8	SWIVEL, CONNECTING ROD (FOR FLOOR SHIFT)		2B1
STRAINER, GOVERNOR OIL		212	TACHOMETER ASSY, ENGINE		3D9
STRAINER, THROTTLE OIL		2A3	TANK ASSY, FUEL		3J7
STRIKER ASSY, BACK DOOR LOWER LOCK		3M5	TANK ASSY, RADIATOR RESERVE		1L2
STRIKER ASSY, REAR SEAT BACK LOCK, LH		3G6	TANK, INTAKE AIR SURGE		1C3
STRIKER ASSY, REAR SEAT BACK LOCK, RH		3G6	TAPE PLAYER ASSY		3K10
STRIKER ASSY, TAIL GATE, LOWER LH		3M5	TERMINAL, BATTERY POSITIVE		3K8
STRIKER ASSY, TAIL GATE, LOWER RH		3M5	THERMOSTAT		1K2
STRIKER SUB-ASSY, REAR SEAT CUSHION LOCK		3G6	TIRE		2L5
STRIKER, CONSOLE COMPARTMENT DOOR LOCK		3F3	TIRE (FOR SPARE)		2L5
STRIKER, GLOVE COMPARTMENT DOOR LOCK		3D7	TRACK ASSY, FRONT SEAT, OUTER LH		3F6
STRUT, ADJUSTING		2G7	TRACK ASSY, FRONT SEAT, OUTER RH		3F6
SUPPORT ASSY, REAR SEAT CUSHION		3G6	TRACK ASSY, FRONT SEAT, INNER LH		3F6
SUPPORT SUB-ASSY, BRAKE PEDAL		2C8	TRACK ASSY, FRONT SEAT, INNER RH		3F6
SUPPORT SUB-ASSY, CENTER		2E2	TRANSFER ASSY		2M3
SUPPORT SUB-ASSY, RADIATOR, LH		3A2	TRANSMISSION ASSY, AUTOMATIC		2D1
SUPPORT SUB-ASSY, RADIATOR, RH		3A2	TRAY, BATTERY		3L6
SUPPORT SUB-ASSY, RADIATOR, UPPER		3A2	TRIM SUB-ASSY, COWL SIDE, LH		3C4
SUPPORT SUB-ASSY, TILT STEERING		2M6	TRIM SUB-ASSY, COWL SIDE, RH		3C4
SUPPORT SUB-ASSY, VACUUM TUBE UNION		2J4	TRIM, FRONT DOOR OPENING, LH		3C4
SUPPORT, AIR INJECTION MANIFOLD		1J3	TRIM, FRONT DOOR OPENING, RH		3C4
SUPPORT, BATTERY TRAY, RH		3L6	TRIM, REAR DOOR OPENING, LH		3C4
SUPPORT, FRONT SEAT HEADREST		3F6	TRIM, REAR DOOR OPENING, RH		3C4
SUPPORT, GOVERNOR BODY		2J2	TRIM, ROOF HEADLINING, REAR CENTER		3F4
SUPPORT, REAR SEAT HEADREST		3F6	TRIM, ROOF HEADLINING, REAR LH		3F4
SUPPORT, ROOF CARRIER, NO.1 LH		3M3	TRIM, ROOF HEADLINING, REAR RH		3F4
SUPPORT, ROOF CARRIER, NO.1 RH		3M3	TUBE ASSY, PRESSURE FEED		2G7
SUPPORT, ROOF CARRIER, NO.2		3M3	TUBE ASSY, STEERING COLUMN		2B7
SUPPORT, ROOF HEADLINING, NO.1		3E4	TUBE SUB-ASSY, FUEL PUMP		1K4
SUPPORT, ROOF HEADLINING, NO.2		3E4	TUBE SUB-ASSY, OIL COOLER INLET, NO.1		2K3
SUPPORT, ROOF HEADLINING, NO.3		3F4	TUBE SUB-ASSY, OIL COOLER OUTLET, NO.1		2K3
SUPPORT, ROOF HEADLINING, NO.4		3F4	TUBE SUB-ASSY, OIL COOLER, NO.2		2K3
SUPPORT, ROOF HEADLINING, NO.5		3F4	TUBE SUB-ASSY, TRANSMISSION OIL FILLER		2G1
SUPPORT, ROOF HEADLINING, NO.6		3F4	TUBE, FRONT BRAKE, NO.2		2B9
SUPPORT, ROOF HEADLINING, NO.7		3F4	TUBE, FRONT BRAKE, NO.3		2B9
SUPPORT, ROOF HEADLINING, NO.8		3F4	TUBE, FRONT BRAKE, NO.4		2B9
SUPPORT, STEERING COLUMN COVER		2A7	TUBE, FRONT BRAKE, NO.5		2C9
SUPPORT, VALVE ROCKER, NO.1		1D2	TUBE, FRONT BRAKE, NO.6		2C9
SUPPORT, VALVE ROCKER, NO.2		1D2	TUBE, FRONT DRIVE VACUUM, NO.2		2J4
SWITCH ASSY, ANTENNA		3J9	TUBE, FUEL EMISSION, NO.2		3J7
SWITCH ASSY, BRAKE WARNING TEST		319	TUBE, FUEL MAIN		3J7
SWITCH ASSY, COOLER CONTROL		3G11	TUBE, FUEL TANK TO CANISTER		3J7
SWITCH ASSY, COURTESY LAMP (FOR FRONT DOOR)		319	TUBE, FUEL TANK TO CANISTER, NO.3		3K7

PART NUMBER	LOCATION	PART NUMBER	LOCATION	PART NUMBER	LOCATION	PART NUMBER	LOCATION	PART NUMBER	LOCATION	PART NUMBER	LOCATION
68111-90A01-	3J4	69310-90A02-	3L4	69971-90A01-	3B5	72510-90A03-	3G6	74404-90A00-	3L6	76606-69015-	3J3
68112-90A01-	3J4	-90A03-	3L4	69973-90A00-	315	72520-90A02-	3G6	74431-90A00-	3L6	76628-90A01-	3M2
68113-90A01-	3D5	69320-90A02-	3L4	69975-90A00-	315	P 72525-14010-13	3G6	74433-90A00-	3L6	77001-60220-	3J7
68114-90A01-	3D5	-90A03-	3L4	P 71071-90A35-03	3D6	-14010-56	3G6	74451-90A00-	3L6	77030-90A01-	3J7
68123-90A01-	3D5	69330-90A00-	3F5	P -90A35-06	3D6	P 72526-14010-43	3G6	74559-12020-	3M6	77037-90K00-	3J7
68124-90A01-	3E5	-90A01-	3F5	P 71072-90A18-03	3D6	-14010-56	3G6	-20030-	3M6	77169-14010-	1K4
68131-90A20-	3K5	69340-90A00-	3F5	P -90A18-06	3D6	P 72538-12010-	2B7	-20090-	3M6	77193-60031-	3J7
68141-90A03-	3K4	-90A01-	3F5	P 71073-90A44-03	3D6	P 72551-90A00-03	3G6	-60010-	3M6	77201-60150-	3J7
68142-90A01-	3E5	69350-90A03-	3M5	P -90A44-06	3D6	P -90A00-16	3G6	74564-60010-	3M6	77205-60140-	3J7
68143-90A01-	3K4	69380-90A01-	3M5	P 71075-90A18-03	3D6	P 72552-90A00-03	3G6	74571-28020-	3M6	77209-60041-	3J7
68170-90A01-	3K4	69390-90A00-	3M5	-90A18-06	3D6	P -90A00-16	3G6	74610-10020-18	3K6	77213-60030-	3J7
68188-90A00-	3E5	69410-90B00-	3G5	P 71077-90A41-03	3D6	72607-90A00-	3G6	-90K00-08	3K6	77244-60110-	3K7
68189-90A00-	3E5		3M4	P -90A41-06	3D6	72630-90A17-	3G6	74617-14010-18	3K6	77249-60040-	3J7
68190-90A01-	3E5	69430-90A01-	3M5	71301-90A00-	3D6	-90A20-	3G6	-16010-08	3K6	-60050-	3J7
68281-90A00-	3K5	69450-90A00-	3M5	71307-90A00-	3D6	72640-90A17-	3G6	74620-90A00-18	3K6	77250-60080-	3J7
68782-90A00-	3K5	69460-90A00-	3M5	71309-90A00-	3E6	-90A20-	3G6	P 74670-90A01-03	3K6	-60081-	3J7
68291-90A01-	3K5	69513-14010-	3A6	71354-90A00-	3E6	72645-90A00-	3G6	P -90A01-06	3K6	-60090-	3J7
68610-22010-	3K4	-90A00-	3B6	P 71410-90A33-03	3E6	72651-90A00-	3G6	75330-90A00-	3C7	77261-60080-	3J7
68617-90A01-	3E5	69551-13020-	3B6	P -90A33-06	3E6	P 72660-90A00-03	3G6	75340-90A00-	3C7	77262-60030-	3J7
	3K4	-90A00-	3B6	P 71420-90A31-03	3E6	-90A00-16	3G6	75370-90A02-	3C7	77264-60030-	3K7
68630-90A00-	3E5	69552-95A00-	3B6	P -90A31-06	3E6	72670-90A02-	3G6	75415-95660-	3M5	77293-60030-	3K7
68710-14020-	3A5	69563-90A00-	3B6	P 71430-90A39-03	3E6	72680-90A02-	3G6	75430-90K00-	3C7	77305-90A01-	3K7
-30080-	3H5	69581-14010-	3B6	P -90A39-06	3E6	P 72694-90A00-03	3G6	75442-90A01-	3C7	77310-12100-	3K7
68720-14020-	3A5	69681-20040-	3B6	P 71440-90A37-03	3E6	-90A00-16	3G6	75505-90A00-	3D7	77316-12050-	3K7
-30020-	3H5	69690-90A01-	3M5	P -90A37-06	3E6	73003-90A00-03	3M6	75506-90A00-	3E7	77358-12020-	3K7
68730-14020-	3A5	69705-90A00-	3M5	P 71460-90G12-03	3E6	-90A00-06	3M6	75531-90A00-	3D7	77366-12010-	3K7
	3H5	P 69706-90A00-03	3M5	-90G12-06	3E6	73210-90A26-03	3M6	75533-90A00-	3D7	77601-60060-	3K7
68740-14020-	3A5	-90A00-06	3M5	P 71480-90G28-03	3E6	-90A26-06	3M6	75534-90A00-	3D7	77602-60040-	3K7
	3H5	69711-90A00-	3M4	P -90G28-06	3E6	-90A29-03	3M6	75535-90A00-	3D7	77740-60130-	3K7
68810-90A00-	3L5	69712-90A00-	3M4	71739-90A00-	3E6	-90A29-06	3M6	75541-90A00-	3D7	77751-60020-	3K7
68868-90A00-	3L5	69713-90A00-	3G5	P 71825-90A00-03	3E6	73220-90A15-03	3M6	75543-90A00-	3D7	78111-95110-	3M7
68950-69045-	3M5	69714-90A00-	3G5	P -90A00-16	3E6	-90A15-06	3M6	75553-90A00-	3E7	78118-90K00-	3M7
68961-23010-	3M5	69722-90A00-	3M5	P 71826-90A00-03	3E6	-90A17-03	3M6	75554-90A00-	3E7	78120-90A08-	3M7
69005-90A47-	3A6	69736-90K00-	3G5	P -90A00-16	3E6	-90A17-06	3M6	75575-90A00-	3E7	-90A09-	3M7
-90A62-	3A6		3M4	P 71827-90A00-03	3E6	P 73230-90A17-06	3M6	75583-90A00-	3E7	78180-90A24-	3M7
69051-90A06-	3A6	P 69741-90K00-06	3G5	P -90A00-16	3E6	-90A17-13	3M6	75586-90A00-	3E7	78184-90A01-	3M7
69052-90A06-	3A6		3M4	P 71828-90A00-03	3E6	73240-90A20-03	3M6	75596-90A00-	3E7	-90A03-	3M7
69055-90A06-	3A6	69747-20020-01	3M5	P -90A00-16	3E6	-90A20-06	3M6	75631-90A01-	3M5	78410-90A03-	3M7
-90A11-	3A6	69749-12010-	3G5	P 71829-90A00-03	3E6	73330-90A04-13	315	75641-90A00-	3E7	-90A08-	3M7
69056-90A01-	3A6		3L1	P -90A00-16	3E6	-90A04-16	316	75642-90A00-	3E7	78471-90A00-	3M7
69057-90A08-	3A6		3M4	P 71835-90A00-03	3F6	-90A05-13	316	75645-90A00-	3E7	81105-90A27-	3A8
69058-90A02-	3A6	-30020-	3M5	P -90A00-16	3F6	-90A05-16	316	75646-90A00-	3E7	81106-90A27-	3A8
69205-20020-	3F5	69751-20040-	3E5	P 71836-90A00-03	3F6	-90A37-03	316	75710-90A02-	3E7	81110-90A28-	3A8
	3L4		3K4	P -90A00-16	3F6	-90A37-06	316	75720-90A02-	3E7	81111-20360-	3A8
69206-20020-	3F5	69759-30021-	3G5	P 71837-90A01-03	3F6	-90A46-03	316	75730-90A01-	3E7		3B8
	3L4		3M4	P -90A01-06	3F6	-90A46-06	316	75740-90A01-	3E7	81113-90B04-	3A8
69210-90A00-	3L4	69764-90A00-	3M5	P 71887-90A00-	3F6	P 73360-90A40-03	316	75751-90A00-	3E7	81114-22391-	3B8
69212-90A00-	3M5	69767-90A00-	3M5	P 71910-90A01-03	3F6	-90A40-06	316	75752-90A00-	3E7	81121-14320-	3A8
69220-90A00-	3L4	69770-90A02-	3G5	P -90A01-16	3F6	P 73380-90A20-03	316	75755-90A00-	3F7	81131-28050-	3A8
69230-90A00-	3F5	-90A03-	3G5	71930-10060-33	3F6	-90A20-06	316	75756-90A00-	3F7	81150-90A28-	3B8
69240-90A00-	3F5	69780-90A02-	3G5	P -10060-36	3F6	74102-90A01-	3A7	75761-90A00-	3F7	81153-90B04-	3B8
P 69260-12010-03	3A5	-90A03-	3G5	71931-10010-33	3F6	74104-90A01-	3A7	75762-90A00-	3F7	81154-22391-	3A8
	3H5	69801-90A00-	3A5	-10010-36	3F6	P 74105-10010-10	3A7	75763-90A00-	3F7	81240-22070-08	3J8
	3A5	69802-90A00-	3A5	71935-90K00-01	3F6	-10010-13	3A7	75764-90A00-	3F7	-95A16-	3J8
	3H5	69803-90A00-	3H5	71956-30020-13	3F6	74135-10030-	3A7	75765-90A00-	3F7	P 81241-20060-	3J8
69273-30020-	3F5	69804-90A00-	3H5	-30020-56	3F6	74137-10030-	3A7	75766-90A00-	3F7	81260-22030-	3J8
	3L4	69810-90A02-	3A5	71990-30020-13	3F6	P 74250-90A00-03	3K6	75812-90A00-	3E7	P 81270-95A07-	3H8
P 69277-16040-23	3F5	69820-90A02-	3A5	-30020-56	3F6	-90A00-16	3K6	75813-90A00-	3E7	P 81271-13070-	3H8
	3L4	69830-90A01-	3H5	72110-90A04-	3F6	P 74310-90A28-08	3K6	75850-69015-	3F7	P 81272-13070-	3H8
	3F5	69840-90A01-	3H5	72120-90A04-	3F6	-90A52-08	3K6	75860-69015-	3F7	P 81274-95A00-	3H8
	3L4	69901-90A03-	3B5	72130-90A03-	3F6	P 74320-90A25-08	3K6	75867-20020-	3F7	P 81510-90A13-	3C8
69285-22010-08	3A5	69902-90A02-	3B5	72140-90A00-	3F6	-90A42-08	3K6	76603-69015-	3K1	P 81511-90A13-	3C8
	3H5	69905-90A03-	315	72145-90A00-	3F6	P 74348-12010-18	3K6	76604-69015-	3K1	P 81515-90A13-	3C8
69289-90A00-	3M5	69906-90A03-	315	72146-90A00-	3G6	P 74372-90A00-	3C11	76607-69015-	3J3	P 81520-90A13-	3C8

POWER TRAIN-CHASSIS GROUP (1/2)




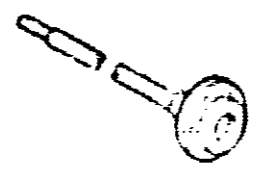


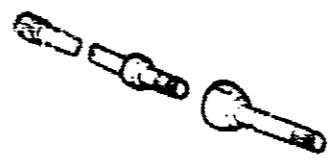
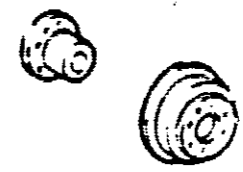
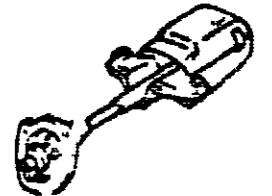
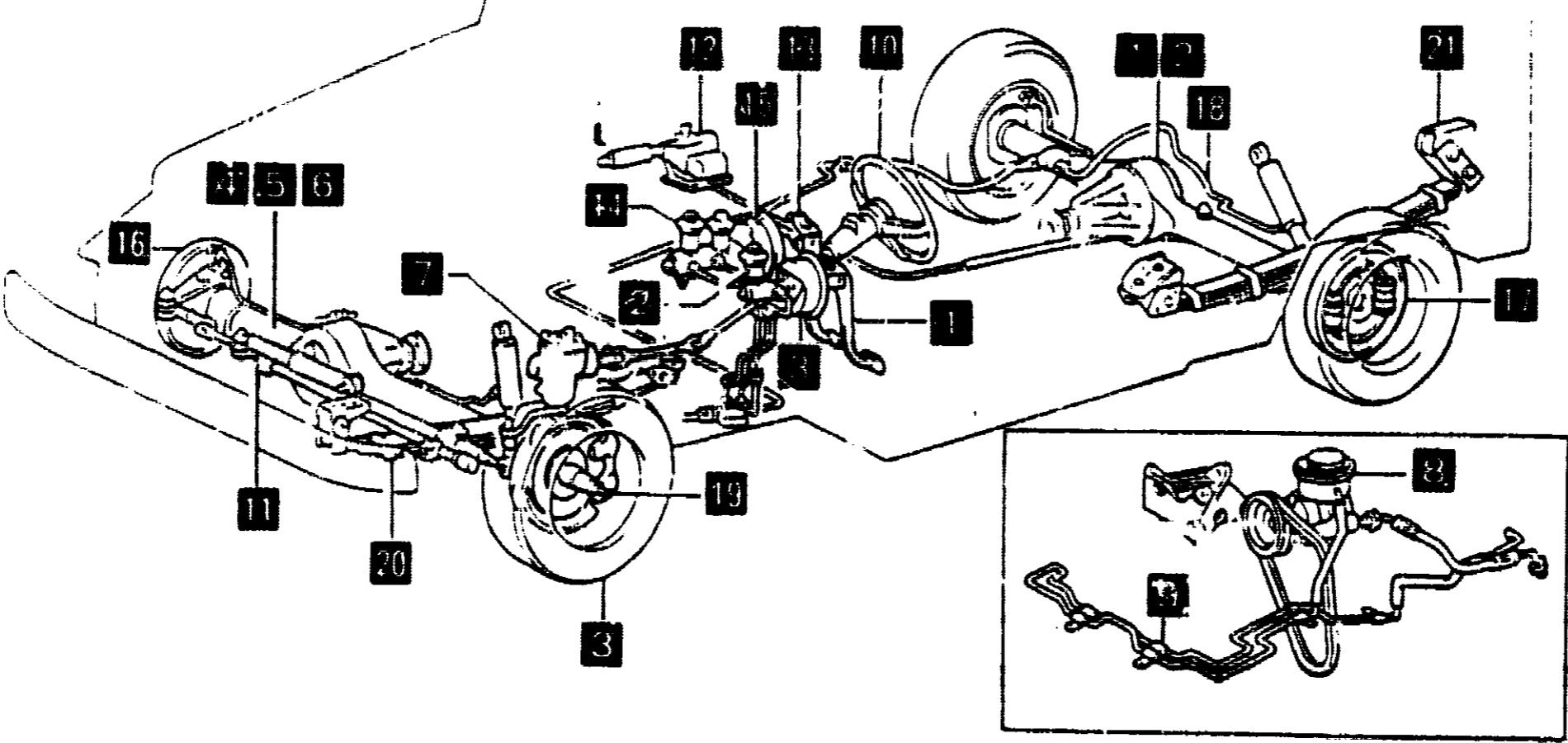
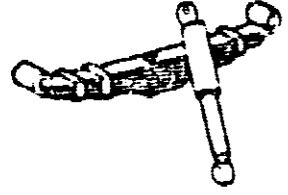
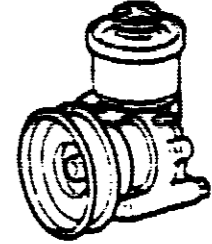
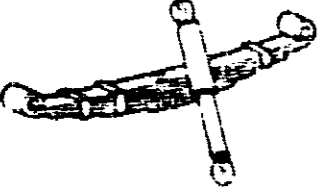
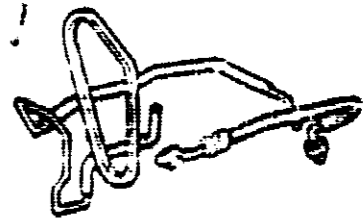


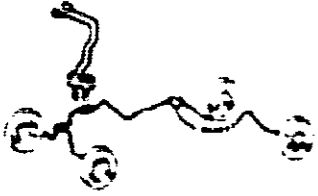



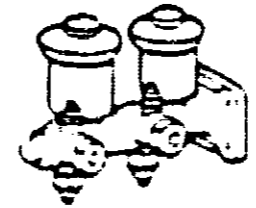
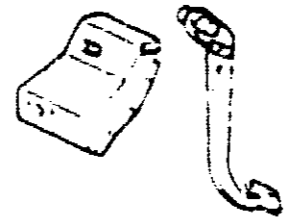
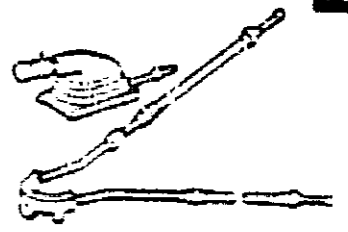
<p>2A1 (33-12) 1</p>  <p>Shift Lever & Retainer</p>	<p>2D1 (35-01) 2</p>  <p>Transmission Assy</p>	<p>2G1 (35-03) 3</p>  <p>Transmission Case</p>	<p>2J1 (35-05) 4</p>  <p>Speedometer w Driven Gear</p>	<p>2E1 (35-02) 5</p>  <p>Torque Converter & Chain</p>	<p>2K1 (35-06) 6</p>  <p>Overdrive Gear</p>	<p>2A2 (35-07) 7</p>  <p>Multiple Disc Clutch</p>
<p>2K4 (37-01) 21</p>  <p>Propeller Shaft</p>	<p>POWER TRAIN-CHASSIS GROUP (1/2)</p> 					<p>2D2 (35-08) 8</p>  <p>Planetary Sun Gear</p>
<p>2J4 (36-16) 20</p>  <p>Vacuum Shift Valve</p>						<p>2F2 (35-09) 9</p>  <p>Brake No. 3</p>
<p>2H4 (36-12) 19</p>  <p>Diaphragm Cylinder</p>						<p>2G2 (35-10) 10</p>  <p>Planetary Gear</p>
<p>2M5 (42-01) 22</p>  <p>Differential Lock Control</p>	<p>2I2 (35-11) 11</p>  <p>Governor</p>					
<p>2F4 (36-11) 18</p>  <p>Transfer Lever</p>	<p>2C4 (36-10) 17</p>  <p>Transfer Gear</p>	<p>2A4 (36-09) 16</p>  <p>Transfer Case</p>	<p>2M3 (36-08) 15</p>  <p>Transfer Assy</p>	<p>2K3 (35-14) 14</p>  <p>Oil Cooler & Tube</p>	<p>2I3 (35-13) 13</p>  <p>Throttle Link</p>	<p>2K2 (35-12) 12</p>  <p>Valve Body</p>

PART	NAME	LOCA TION
DISC, CLUTCH (FOR FRONT CLUTCH)		2B2
DISC, CLUTCH (FOR OVERDRIVE BRAKE)		2M1
DISC, CLUTCH (FOR OVERDRIVE DIRECT CLUTCH)		2M1
DISC, CLUTCH (FOR 1ST & REVERSE BRAKE)		2F2
DISC, FRONT		2L6
DISC, REAR CLUTCH		2B2
DISTRIBUTOR ASSY		1D4
DOOR SUB-ASSY, CONSOLE COMPARTMENT		3E3
DOOR SUB-ASSY, GLOVE COMPARTMENT		3D2
DOOR, HEADLAMP, LH		3I1
DOOR, HEADLAMP, RH		3I1
DOWEL, SPLIT (FOR STEERING KNUCKLE ARM)		2F9
DRIVER, SCREW		1A1
DRUM SUB-ASSY, OVERDRIVE DIRECT CLUTCH		2K1
DRUM SUB-ASSY, REAR BRAKE		2I5
DRUM, REAR CLUTCH		2B2
DUCT ASSY, SIDE DEFROSTER, LH		3E2
DUCT ASSY, SIDE DEFROSTER, RH		3E2
DUCT SUB-ASSY, COOL AIR INTAKE		1G3
DUCT SUB-ASSY, HEATER TO REGISTER, NO.1		3J11
DUCT SUB-ASSY, HEATER TO REGISTER, NO.2		3J11
DUCT SUB-ASSY, HEATER TO REGISTER, NO.3		3J11
DUCT SUB-ASSY, HEATER TO REGISTER, NO.4		3J11
DUCT SUB-ASSY, HEATER TO REGISTER, NO.5		3J11
DUCT SUB-ASSY, HEATER TO REGISTER, NO.6		3J11
DUCT SUB-ASSY, QUARTER VENTILATOR, LH		3A4
DUCT SUB-ASSY, QUARTER VENTILATOR, RH		3A4
DUCT, AIR, NO.1		3J11
DUCT, AIR, NO.3		3J11
DUCT, AIR, NO.4		3J11
DUCT, AIR, REAR NO.1		3F11
DUCT, HEATER TO REGISTER, NO.1		3J11
ELEMENT SUB-ASSY, AIR CLEANER FILTER		1F3
EMBLEM ASSY, BACK DOOR, NO.1		3C7
EMBLEM, QUARTER PANEL		3C7
END SUB-ASSY, STEERING RELAY ROD, RH		2L7
END SUB-ASSY, STEERING RELAY ROD, LH		2L7
END SUB-ASSY, TIE ROD, LH		2L7
END SUB-ASSY, TIE ROD, RH		2L7
ENGINE ASSY, PARTIAL		1C1
EQUALIZER SUB-ASSY, PARKING BRAKE		2A8
EVAPORATOR SUB-ASSY, COOLER, NO.1		3G11
EXTENSION SUB-ASSY, JACK HANDLE		1A1
EXTENSION SUB-ASSY, QUARTER PANEL, REAR LOWER LH		3G3
EXTENSION SUB-ASSY, QUARTER PANEL, REAR LOWER RH		3G3
EXTENSION, FRONT BUMPER, LH		3G1
EXTENSION, FRONT BUMPER, RH		3G1
EXTENSION, REAR BUMPER, LH		3H1
EXTENSION, REAR BUMPER, RH		3H1
EXTENSION, REAR FLOOR PAN, LH		3M2
EXTENSION, REAR FLOOR PAN, RH		3M2
FAN		1K2
FAN SUB-ASSY, HEATER BLOWER		3F11
FAN, ALTERNATOR		1F4
FAN, NO.2		1K2
FENDER SUB-ASSY, FRONT, LH		3J1
FENDER SUB-ASSY, FRONT, RH		3J1
FILLER, FRONT DOOR GLASS CHANNEL		3B5
FILLER, REAR DOOR GLASS CHANNEL		3I5
FILM, LABEL COVER		3M6
FILTER ASSY, AIR		1M3
FILTER SUB-ASSY, OIL		1G2
FILTER, FUEL (FOR EFI)		1L4
FILTER, GAS, NO.1		1M3
FILTER, NOISE		3K10

PART	NAME	LOCA TION
FILTER, WINDSHIELD WASHER JAR		3D10
FILTER, WINDSHIELD WASHER JAR, NO.2		3D10
FILTER, FUEL PUMP		1K4
FINAL GEAR KIT, DIFFERENTIAL, FRONT		2E6
FINAL GEAR KIT, DIFFERENTIAL, REAR		2C5
FLANGE SUB-ASSY, DRIVE PINION COMPANION, FRONT		2E6
FLANGE SUB-ASSY, DRIVE PINION COMPANION, REAR		2C5
FLANGE SUB-ASSY, OUTPUT SHAFT COMPANION		2A4
FLANGE SUB-ASSY, TRANSFER OUTPUT SHAFT COMPANION		2A4
FLANGE, BRAKE (FOR 1ST & REVERSE BRAKE)		2F2
FLANGE, BRAKE, NO.1		2D2
FLANGE, OVERDRIVE BRAKE, NO.1		2L1
FLANGE, OVERDRIVE CLUTCH		2L1
FLANGE, OVERDRIVE PLANETARY RING GEAR		2L1
FLANGE, REAR CLUTCH		2B2
FLANGE, REAR PLANETARY RING GEAR		2H2
FLASHER ASSY, TURN SIGNAL		3H9
FOOTREST, FRONT FLOOR		3J2
FORK, FRONT DIFFERENTIAL LOCK SHIFT		2G6
FORK, REAR DIFFERENTIAL LOCK SHIFT		2E5
FORK, TRANSFER GEAR SHIFT, NO.1		2F4
FORK, TRANSFER GEAR SHIFT, NO.2		2F4
FRAME ASSY, DRIVE END, ALTERNATOR		1E4
FRAME ASSY, STARTER COMMUTATOR END		1G4
FRAME SUB-ASSY		3A1
FRAME SUB-ASSY, BACK DOOR OPENING		3L3
FRAME SUB-ASSY, FRONT DOOR, FRONT LOWER LH		3I4
FRAME SUB-ASSY, FRONT DOOR, FRONT LOWER RH		3I4
FRAME SUB-ASSY, FRONT DOOR, REAR LOWER LH		3I4
FRAME SUB-ASSY, FRONT DOOR, REAR LOWER RH		3I4
FRAME, RECTIFIER END		1F4
FUSE, FUSE BLOCK		3H9
FUSIBLE LINK		3B9
GAGE ASSY, FUEL RECEIVER		3D9
GAGE ASSY, FUEL SENDER		3H9
GAGE ASSY, OIL PRESSURE SENDER		3I9
GAGE ASSY, WATER TEMPERATURE RECEIVER		3D9
GAGE ASSY, WATER TEMPERATURE SENDER		3I9
GAGE SUB-ASSY, OIL LEVEL		1I1
GAGE SUB-ASSY, TRANSMISSION OIL LEVEL		2G1
GARNISH, CENTER PILLAR, LH		3C4
GARNISH, CENTER PILLAR, RH		3C4
GARNISH, QUARTER TRIM, LH		3D4
GARNISH, QUARTER TRIM, RH		3D4
GASKET		1H2
GASKET (FOR FLUID OUTLET PLUG REAR SIDE)		1L4
GASKET (FOR FLUID OUTLET PLUG)		2E8
GASKET (FOR FRONT AXLE HOUSING PLUG)		2D8
GASKET (FOR FRONT DIFFERENTIAL LOCK CYLINDER)		2H6
GASKET (FOR FUEL FILTER)		2G6
GASKET (FOR FUEL TANK)		1L4
GASKET (FOR MASTER CYLINDER)		3J7
GASKET (FOR OIL FILLER CAP)		2D8
GASKET (FOR OIL PAN DRAIN PLUG)		1G1
GASKET (FOR OIL PUMP OUTLET PIPE)		1I1
GASKET (FOR PULSATION DAMPER HOSE)		1F2
GASKET (FOR REAR AXLE HOUSING DRAIN PLUG)		1K4
GASKET (FOR REAR AXLE HOUSING FILLER PLUG)		2F5
GASKET (FOR REAR DIFFERENTIAL LOCK CYLINDER)		2F5
GASKET (FOR SUCTION TUBE)		2F5
GASKET (FOR TRANSFER CASE)		2I4
GASKET KIT, DIFFERENTIAL CARRIER		2A4
GASKET KIT, ENGINE OVERHAUL		2B5
GASKET KIT, ENGINE VALVE GRIND		1E1
GASKET KIT, ENGINE VALVE GRIND		1E1

PART	NAME	LOCATION	PART	NAME	LOCATION
TUBE, FUEL, NO.1 (FOR CHARCOAL CANISTER)		3K7	VALVE, MANUAL DOWN TIMING		2G3
TUBE, LINE PRESSURE		2C3	VALVE, OIL PUMP RELIEF		1E2
TUBE, LOCK UP SIGNAL VALVE APPLY		2A3	VALVE, OVERDRIVE CLUTCH EXHAUST		2F3
TUBE, REAR BRAKE, NO.2		2C9	VALVE, PRIMARY REGULATOR		2B3
TUBE, REAR BRAKE, NO.3		2C9	VALVE, PRIMARY THROTTLE		2E3
TUBE, REAR BRAKE, NO.4		2C9	VALVE, SECONDARY REGULATOR		2F3
TUBE, REAR BRAKE, NO.5		2C9	VALVE, SECONDARY THROTTLE		2F3
TUBE, REAR BRAKE, NO.6		2C9	VALVE, SERVICE		3C12
TUBE, RESERVOIR, NO.1		2E8	VALVE, SUCTION		3C12
TUBE, RETURN (FOR STEERING GEAR OUTLET)		2G7	VALVE, VACUUM CONTROL, NO.1		1M3
TUBE, SUCTION		2H4	VALVE, 1-2 RELAY		2E3
TUBE, TRANSMISSION LUBE APPLY		2H3	VALVE, 1-2 SHIFT		2E3
TUBE, VENTILATION NO.1		1L1	VALVE, 2-3 SHIFT		2E3
TUBE, WHEEL CYLINDER, FRONT LH NO.1		2C9	VALVE, 2-3 SHIFT TIMING		2F3
TUBE, WHEEL CYLINDER, FRONT RH NO.1		2C9	VALVE, 2ND LOCK		2E3
TURN BUCKLE (FOR DIFFERENTIAL LOCK ROD)		2A6	VALVE, 3-2 KICK DOWN ORIFICE CONTROL		2G3
UNION (FOR AIR HOSE)		1C3	VALVE, 3-4 COAST SHIFT		2G3
UNION (FOR EGR PIPE, NO.1)		1M4	VALVE, 3-4 SHIFT		2G3
UNION (FOR FRONT AXLE BREATHER HOSE)		2H6	VALVE, 3RD COAST		2F3
UNION (FOR FRONT DRIVE SHIFT)		2J4	VISOR ASSY, LH		3K6
UNION (FOR OIL COOLER TUBE)		2K3	VISOR ASSY, RH		3K6
UNION (FOR OIL PUMP OUTLET PIPE)		1F2	VOLTMETER ASSY		3D9
UNION (FOR REAR AXLE BREATHER HOUSE)		2G5	WASHER (FOR CENTER SUPPORT)		2E2
UNION SUB-ASSY, PRESSURE PORT		2D7	WASHER (FOR FRONT DIFFERENTIAL TAPERED ROLLER BEARING)		2F6
UNION, AIR INJECTION		1J3	WASHER (FOR LOAD SENSING SPRING)		2C9
UNION, RESERVOIR (FOR BRAKE MASTER CYLINDER SIDE)		2D8	WASHER (FOR MAGNET CLUTCH)		3B12
UNION, VACUUM HOSE (FOR MANIFOLD SIDE)		2G8	WASHER (FOR PRIMARY REGULATOR VALVE)		2B3
UNIT ASSY, COOLER		3G11	WASHER (FOR REAR DIFFERENTIAL TAPERED ROLLER BEARING)		2D5
UNIT SUB-ASSY, HEATER RADIATOR		3F11	WASHER SET, CRANKSHAFT THRUST		1M1
VALVE (FOR TUBELESS TIRE)		2L5	WASHER, C (FOR REAR BRAKE)		2K8
VALVE ASSY, AIR SWITCHING		1J3	WASHER, CLAW (FOR STEERING KNUCKLE WASHER)		2L6
VALVE ASSY, BIMETAL		1M3	WASHER, CONE (FOR FRONT AXLE SHAFT)		2K6
VALVE ASSY, EGR		1M4	WASHER, FRONT DIFFERENTIAL PINION THRUST		2G6
VALVE ASSY, FLOW CONTROL		2E7	WASHER, FRONT DIFFERENTIAL SIDE GEAR THRUST, NO.1		2G6
VALVE ASSY, HEATER WATER		3L11	WASHER, FRONT SHOCK ABSORBER CUSHION, NO.2		2I9
VALVE ASSY, IDLE SPEED CONTROL		1J4	WASHER, FRONT WHEEL ADJUSTING LOCK		2L6
VALVE ASSY, LOAD SENSING PROPORTIONING		2C9	WASHER, OVERDRIVE PLANETARY GEAR THRUST, NO.1		2L1
VALVE ASSY, POWER STEERING CONTROL		2L7	WASHER, OVERDRIVE PLANETARY GEAR THRUST, NO.2		2L1
VALVE ASSY, VACUUM CHECK, NO.1		2G8	WASHER, PLANETARY CARRIER THRUST, NO.1		2G2
VALVE ASSY, VACUUM SWITCHING		1M3	WASHER, PLANETARY CARRIER THRUST, NO.2		2H2
VALVE ASSY, WATER UNIT		3F11	WASHER, PLATE (FOR AUTOMATIC TRANSMISSION CASE)		2H1
VALVE SET, EMISSION CONTROL, NO.2		1M3	WASHER, PLATE (FOR DRIVE PINION)		2C5
VALVE SUB-ASSY, VENTILATION		1L1	WASHER, PLATE (FOR FRONT AXLE DRIVE PINION)		2H6
VALVE, ACCUMULATOR CONTROL, NO.1		2G3	WASHER, PLATE (FOR MANUAL VALVE LEVER)		2J3
VALVE, CHECK (FOR AIR INJECTION SYSTEM)		1J3	WASHER, PLATE (FOR PARKING LOCK PAWL SHAFT)		2J3
VALVE, CHECK (FOR FRONT DRIVE SHIFT)		2J4	WASHER, PLATE (FOR REAR DIFFERENTIAL DRIVE PINION)		2C5
VALVE, CHECK, NO.1		1M3	WASHER, PLATE (FOR SPEEDMETER DRIVE GEAR)		2E4
		2B3	WASHER, PLATE (FOR STEERING WORM)		2J7
VALVE, COOLER EXPANSION		3G11	WASHER, PLATE (FOR TRANSFER OUTPUT SHAFT)		2A4
VALVE, CUT BACK		2E3	WASHER, REAR DIFFERENTIAL PINION THRUST		2E5
VALVE, DETENT REGULATOR		2D3	WASHER, REAR DIFFERENTIAL SIDE GEAR THRUST NO.1		2E5
VALVE, EXHAUST		1D2	WASHER, REAR SHOCK ABSORBER CUSHION, NO.1		2A10
VALVE, FUEL LIQUID VAPOR SEPARATOR		3J7	WASHER, REAR SHOCK ABSORBER CUSHION, NO.2		2A10
VALVE, GOVERNOR, NO.1		2I2	WASHER, REAR WIPER LINK PIVOT, NO.1		3C10
VALVE, GOVERNOR, NO.2		2I2	WASHER, SEAL (FOR CROSSSHAFT ADJUSTING SCREW)		2L7
VALVE, HEADLAMP CLEANER WASHER HOSE		3G10	WASHER, SEAL (FOR CYLINDER HEAD COVER)		1G1
VALVE, INTAKE		1C2	WASHER, TRANSFER IDLER GEAR SIDE THRUST		2D4
VALVE, INTERMEDIATE COAST SHIFT		2F3	WASHER, WAVE (FOR MANUAL VALVE LEVER)		2J3
VALVE, INTERMEDIATE MODULATOR		2C3	WAY, NO.1 (FOR FRONT BR. TUBE)		2B9
VALVE, LOCK UP RELAY		2A3	WAY, NO.2 (FOR FRONT BRAKE TUBE)		2R9
VALVE, LOCK UP RELAY CONTROL		2A3	WAY, NO.2 (FOR REAR BRAKE TUBE)		2C9
VALVE, LOCK UP SIGNAL		2M2	WAY, 3 (FOR FRONT DRIVE SHIFT)		2J4
VALVE, LOW COAST SHIFT		2D3	WEATHERSTRIP ASSY, FRONT DOOR GLASS, INNER		3K4
VALVE, LOW MODULATOR		2D3	WEATHERSTRIP ASSY, REAR DOOR GLASS, INNER		3E5
VALVE, MANUAL		2B3	WEATHERSTRIP, BACK DOOR		3K5

PART NUMBER	LOCATION	PART NUMBER	LOCATION	PART NUMBER	LOCATION	PART NUMBER	LOCATION	PART NUMBER	LOCATION	PART NUMBER	LOCATION
P 81521-90A13-	3C8	82181-90A00-	3A9	84722-60070-	3J9	85450-90A04-	3I10	87130-90A01-	3F11	P 88375-20010-	3C12
P 81550-90A11-	3F8	82182-90A02-	3A9	P 84730-90A00-	3J9	-90A06-	3I10	87138-22030-	3F11	P -30270-	3C12
P 81551-90A00-	3F8	82183-90A01-	3A9	N -90A02-	3J9	85460-90A02-	3I10	-90K02-	3F11	P 88376-22010-	3C12
P 81552-90A00-	3F8	82184-90A03-	3A9	84732-90A00-	3J9	85470-90A02-	3I10	87150-90A14-	3F11	P -22020-	3C12
P 81554-90A12-	3F8	82185-90A05-	3A9	84760-90A01-	3J9	85480-90A02-	3I10	87201-90A02-	3J11	88403-12030-	3C12
P 81557-90A00-	3F8	82187-90A00-	3A9	84790-90A09-	3J9	85500-90A07-	3J9	-90A04-	3J11	B -16011-	3C12
P 81558-90A00-	3G8	82282-90A04-	3B1	P 84810-90A02-03	3J9	85520-14030-	3J9	87208-90A15-	3L11	88410-22080-	3C12
P 81558-90A00-	3F8	-90A05-	3D9	P -90A02-06	3J9	85710-90A00-	3I10	-90K06-	3L11	B -60120-	3C12
P 81560-90A11-	3G8	8291-90A02-	3B9	P -90A03-03	3J9	-90A01-	3I10	87211-90A01-	3J11	88411-14050-	3B12
P 81561-90A00-	3F8	82345-12050-	3B9	P -90A03-06	3J9	85720-90A00-	3I10	87212-90A00-	3F11	B -60020-	3B12
P 81562-90A00-	3F8	-32020-	3B9	P 84820-90A08-03	3J7	-90A01-	3I10	87240-90A00-	3L11	88412-22030-	3B12
P 81562-90A00-	3F8	82616-12010-	3H9	P -90A08-06	3J9	85910-14020-	3L9	-90A02-	3F11	B -28030-	3B12
P 81564-90A12-	3F8	82650-12020-	3H9	84870-14060-	3J9	85915-30020-	3J9	87245-90A00-	3L11	88431-60040-	3C12
P 81610-90A03-	3D8	-20011-	3H9	-22040-	3J9	85915-60010-	3L9	-90A27-	3L11	-60100-	3C12
P 81611-90A00-	3D8	82670-90K00-	3B9	-90A00-	3J9	85927-60040-	3K9	-90A28-	3L11	88440-75010-	3C12
P 81612-90A00-	3D8	82683-90A20-	3H9	84956-60030-	3J9	85930-90A00-	3K9	-90A29-	3L11	88460-90A14-	3M11
P 81615-90A03-	3D8	-90A21-	3H9	85010-90A00-	3C10	85940-90A09-	3K9	-90A30-	3L11	88469-22010-	3M11
P 81620-90A03-	3D8	82821-12150-	3B9	P 85031-30020-	3Q10	-90A10-	3K9	-90A30-	3L11	88470-14010-	3M11
P 81621-90A00-	3D8	83101-14040-	3D9	85035-90A02-	3F10	85991-22020-	3K9	-90A41-	3L11	88472-90A01-	3M11
P 81730-14110-	3E8	-20040-	3D9	P -90A03-	3Q10	85999-12050-	3K9	-90A50-	3L11	88482-90A00-	3G11
A -90A05-	3E8	-36010-	3D9	P 85120-90A35-	3A10	-89101-	3K9	-90K36-	3L11	P 88501-90A07-	3G11
P 81731-14110-	3E8	83110-90A46-	3D9	85160-90A07-	3A10	86120-20680-	3K10	-90K53-	3L11	P 88510-90A04-	3G11
P 81740-14110-	3E8	-90A47-	3D9	A 85164-90A02-	3A10	-32130-	3K10	87248-90A01-	3F11	N -90A25-	3G11
A -90A05-	3E8	83132-90A04-	3D9	A 85165-90A01-	3A10	-32211-	3K10	-90A03-	3F11	88515-87004-	3G11
P 81741-14110-	3E8	83134-90A06-	3D9	85174-12320-	3C10	-32340-	3K10	-90A22-	3L11	F 88539-90A00-	3G11
P 81750-91255-	3I8	83138-90A00-	3D9	85178-12320-	3C10	-32370-	3K10	-90A24-	3L11	88578-90A02-	3M11
P 81751-14030-	3I8	83145-90A01-	3D9	-90A00-	3A10	-32390-	3K10	-90A25-	3L11	P 88605-90A09-	3G11
P 81754-91255-	3I8	-90A02-	3D9	85190-90A02-	3A10	-90A18-	3K10	87286-90A01-	3J11	88610-90A07-	3G11
P 81755-20060-	3I8	82243-90A03-	3D9	-90A06-	3C10	86128-17150-	3K10	P 87810-90A03-	3C11	P 88626-90A01-	3G11
P 81850-90A14-	3E9	83244-90A02-	3D9	85192-14010-	3A10	-17190-	3K10	P 87828-90A00-	3C11	N -90A02-	3H11
-90A15-	3E9	83245-90A03-	3D9	85195-95700-	3C10	-20020-	3K10	P -90A01-	3C11	88630-14010-	3J9
-90A25-	3E9	83246-90A05-	3D9	85210-90A01-	3A10	-20040-	3K10	P 87834-14011-28	3C11		3K9
-90A31-	3E9	83247-90A05-	3D9	85220-16270-	3A10	A -22690-	3K10	P 87910-90A18-	3C11	88645-30250-	3H11
-90A35-	3E9	83270-90A10-	3D9	-16340-	3A10	A -22710-	3K10	P -90A19-	3C11	88648-90A00-	3H11
81930-90A10-	3E9	-90A15-	3D9	-90A02-	3C10	S -28140-	3K10	N -90A20-	3C11	88650-90A03-	3H11
-90A15-	3E9	83320-69015-	3H9	85221-30100-	3A10	S -28160-	3K10	P 87911-90A05-	3C11	88711-90A09-	3M11
81980-16010-	3H9	83361-20030-	3I9	-90A02-	3C10	-32190-	3K10	P 87940-90A09-	3D11	88712-90A09-	3M11
82121-90A03-	3M8	83420-20020-	3I9	85247-90A01-	3B10	B -32210-	3K10	P -90A11-	3C11	88716-90A27-	3H11
-90A04-	3M8	83520-60010-	3I9	P 85271-90A00-	3G10	86151-90K01-	3M10	P -90A15-	3D11	-90A45-	3M11
82122-90A01-	3K8	83710-90A06-	3D9	P -90A01-	3G10	86160-90A05-	3M10	N -90A15-	3D11	88721-90A07-	3M11
82124-90A01-	3M8	-90A13-	3D9	P -90A02-	3G10	-90A06-	3M10	88320-60151-	3B12	-90A08-	3M11
82125-90A01-	3M8	-90A20-	3D9	85276-14010-	3G10	-90K02-	3M10	B -60280-	3B12	88723-12010-	3M11
82131-90G89-	3M8	83910-90A11-	3D9	85310-14080-	3D10	86209-90A00-	3M10	88321-14011-	3B12	89412-12010-	3K9
-90G98-	3M8	84112-69295-	3I9	-22070-	3G10	86211-90A06-	3K10	B -14021-	3B12	89422-20010-	3L9
82132-90A15-	3M8	84118-90A00-	3I9	-72080-	3F10	86212-90A03-	3K10	88322-14011-	3B12	-30020-	3L9
82141-90A20-	3M8	84119-90A01-	3I9	85330-90A04-	3G10	86260-12180-	3K10	B -14020-	3B12	89423-60020-	3K9
-90A21-	3M8	84140-35080-	3I9	-90A07-	3D10	-20170-	3K10	88335-12030-	3C12	89428-14070-	3L9
82151-90A05-	3A9	84222-60021-	3I9	-90A08-	3F10	-30250-	3K10	-12050-	3B12	-36010-	3K9
-90A08-	3M8	-60030-	3I9	85332-20050-	3F10	86269-90K00-	3M10	B -14010-	3C12	89437-60010-	3K9
-90A10-	3A9	-60040-	3I9	-90A00-	3G10	-90K01-	3M10	B -14020-	3C12	B 89452-14050-	3L9
-90A13-	3A9	-60071-	3I9	-90A01-	3D10	86300-90A17-	3A11	88341-14010-	3B12	P -28030-	3L9
82152-90A05-	3A9	84230-22051-	3I9	85333-20020-	3D10	-90A25-	3A11	B -14020-	3B12	89462-20010-	3L9
-90A06-	3A9	84231-28010-	3I9	-60010-	3D10	86510-22120-	3B11	88342-14010-	3B12	-20040-	3L9
82153-90A01-	3A9	84242-90A00-	3I9	85336-10010-	3G10	86520-22120-	3B11	B -14020-	3B12	89465-69015-	3K9
82154-90A03-	3A9	84310-60700-	3I9	85338-22020-	L2	86995-90A07-	3E9	88343-14011-	3C12	A 89466-20020-	3K9
82155-90A02-	3A9	84312-20011-	3I9	85341-90A05-	3D10	87104-90A00-	3F11	B -14020-	3C12	A -30010-	3K9
82161-90A40-	3A9	84372-69055-	3I9	-90A08-	3D10	-90K03-	3F11	88344-14011-	3C12	89530-60020-	3K9
82162-90A38-	3A9	84340-22072-	3I9	85348-89101-	3D10	87105-14020-	3F11	B -14020-	3C12	89620-14410-	3K9
82163-90A21-	3A9	84380-20010-	3I9	85349-89122-	3F10	-87002-	3F11	B 88356-12010-	3C12	89661-60010-	3L9
82164-90A03-	3A9	84750-60150-	3I9	P 85352-12010-	3G10	87107-90A04-	3F11	B 88360-14030-	3C12	-60011-	3L9
82166-90A00-	3A9	84460-22010-	2E8	85355-14481-	3F10	-90A06-	3F11	-40010-	3C12	-60020-	3L9
82171-90A10-	3A9	84540-60020-	3I9	-20200-	3F10	87110-90A02-	3F11	88371-60101-	3C12	-60021-	3L9
82173-90A00-	3A9	84652-69345-	3I9	85361-10070-	3H10	87126-16010-	3F11	N -60170-	3C12	89667-60010-	3M9
		84653-37020-	3J9	85440-60120-	3J9	-90A01-	3F11	P 88374-12020-	3C12	89668-60010-	3M9

<p>2M4 (41-01) 1</p>  <p>Rear Axle Housing</p>	<p>2H5 (41-02) 2</p>  <p>Rear Axle Shaft & Hub</p>	<p>2K5 (41-03) 3</p>  <p>Disc Wheel & Cap</p>	<p>2C6 (43-01) 4</p>  <p>Front Axle Housing</p>	<p>2J6 (43-02) 5</p>  <p>Drive Shaft</p>	<p>2K6 (43-03) 6</p>  <p>Front Axle Hub</p>	<p>2M6 (45-01) 7</p>  <p>Steering Column & Shaft</p>
<p>POWER TRAIN-CHASSIS GROUP (2/2)</p>						
						
<p>2K9 (48-04) 21</p>  <p>Rear Spring</p>						<p>2D7 (45-02) 8</p>  <p>Vane Pump & Reservoir</p>
<p>2P0 (48-03) 20</p>  <p>Front Spring</p>						<p>2Q7 (45-03) 9</p>  <p>Oil Cooler & Tube</p>
<p>2E9 (48-02) 19</p>  <p>Front Axle Arm</p>						<p>2H7 (45-04) 10</p>  <p>Steering Wheel</p>
<p>2M8 (47-08) 16</p>  <p>Rear Disc Brake Caliper</p>	<p>2J8 (47-06) 17</p>  <p>Rear Backing Plate</p>	<p>2H8 (47-05) 18</p>  <p>Front Disc Brake Caliper</p>	<p>2F8 (47-03) 15</p>  <p>Brake Booster</p>	<p>2D8 (47-02) 14</p>  <p>Brake Master Cylinder</p>	<p>2C8 (47-01) 13</p>  <p>Brake Pedal & Bracket</p>	<p>2A8 (46-01) 12</p>  <p>Parking Brake & Cable</p>



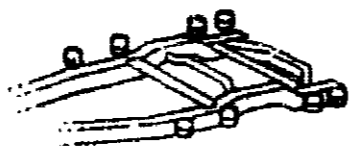
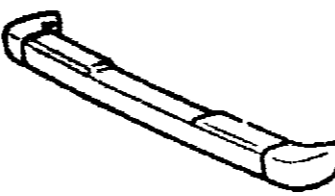
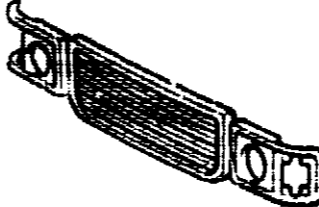
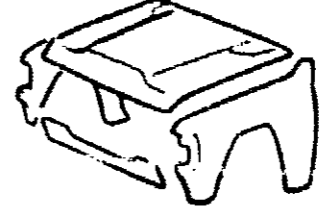
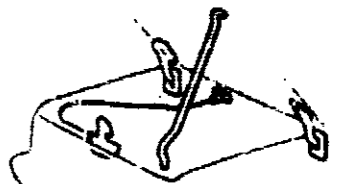
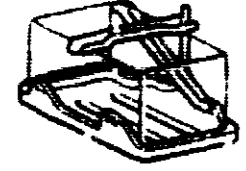
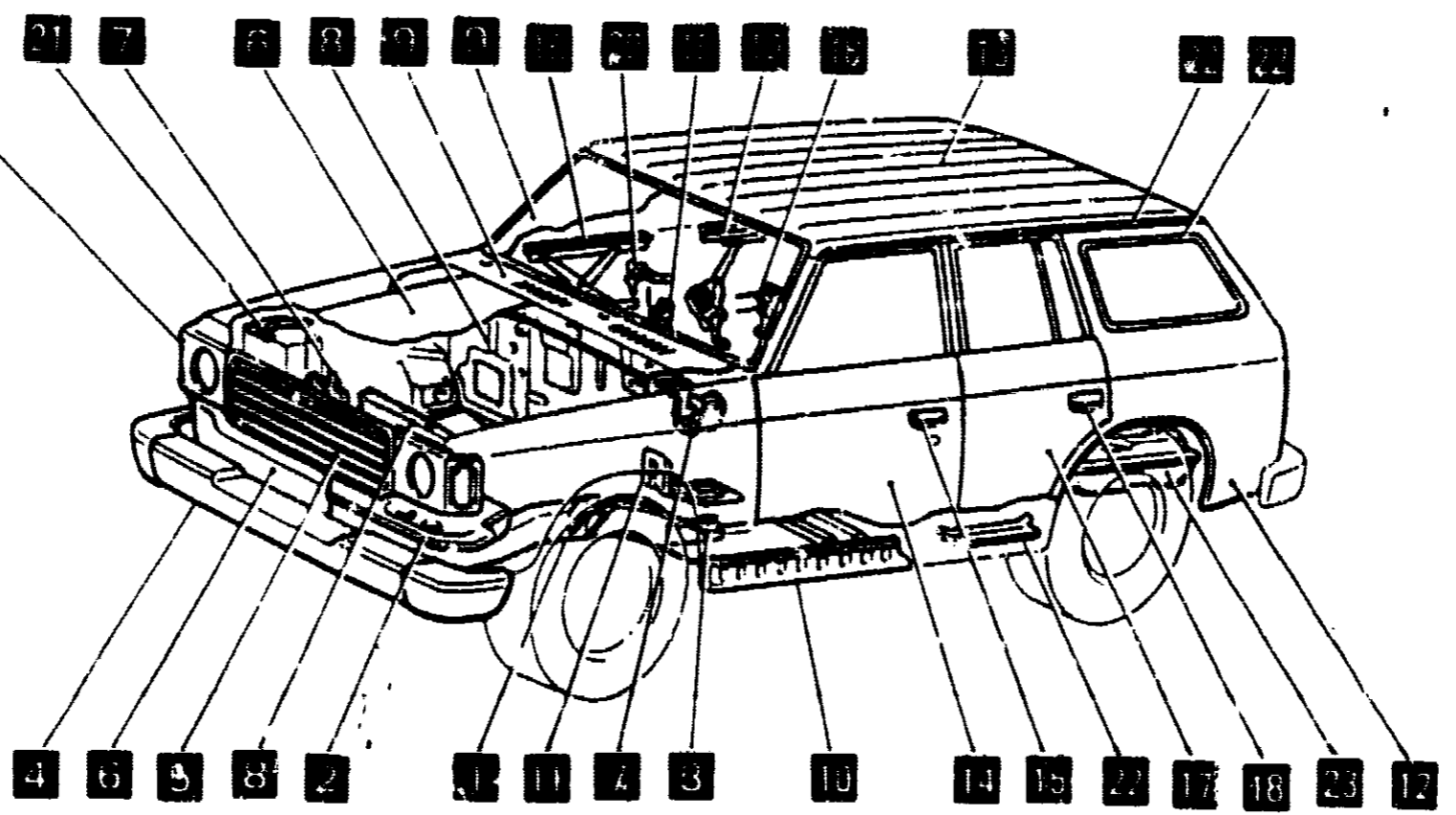
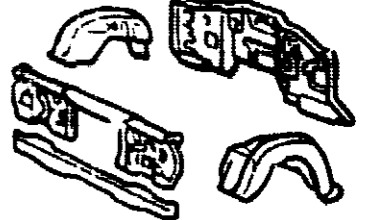
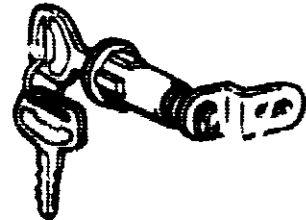

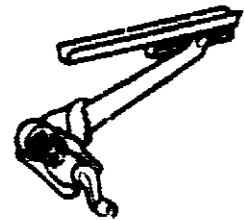
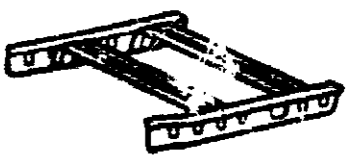

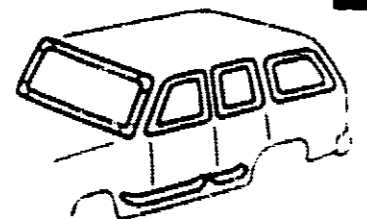
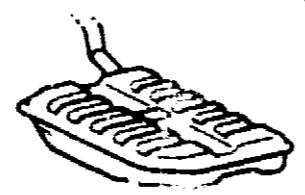
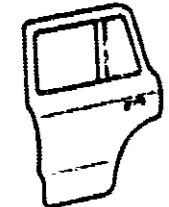
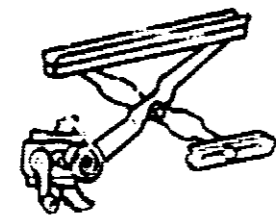
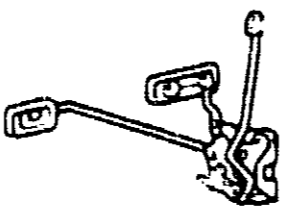


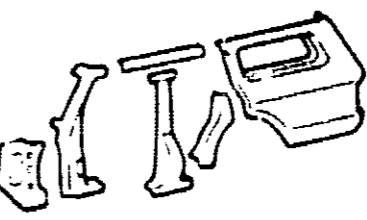

PART	NAME	LOCATION
GASKET KIT, FRONT AXLE OVERHAUL		2E9
GASKET KIT, OVERHAUL		3C12
GASKET KIT, POWER STEERING CROSS SHAFT OVERHAUL		2J7
GASKET KIT, POWER STEERING GEAR (FOR RECIRCULATING BALL)		2J7
GASKET KIT, POWER STEERING PUMP		2D7
GASKET KIT, TRANSAXLE OVERHAUL (ATM)		2D1
GASKET, AIR CLEANER CAP		1F3
GASKET, AIR FLOW METER		1G3
GASKET, AIR SURGE TANK TO INTAKE MANIFOLD		1C3
GASKET, AUTOMATIC TRANSMISSION OIL PAN		2I1
GASKET, BRAKE BOOSTER		2G8
GASKET, BRAKE DRUM OIL DEFLECTOR		2J5
GASKET, BRAKE MASTER CYLINDER		2E8
GASKET, CENTER SUPPORT APPLY		2H3
GASKET, COLD START INJECTOR		1L4
GASKET, CYLINDER BLOCK SIDE COVER, NO.2		1H1
GASKET, CYLINDER HEAD		1F1
GASKET, CYLINDER HEAD COVER		1G1
GASKET, DIAPHRAGM CYLINDER		2H4
GASKET, DRAIN		2H6
GASKET, DRAIN PLUG (ATM)		2H1
GASKET, EGR VALVE		1M4
GASKET, EXHAUST PIPE		1E3
GASKET, FAN		1I2
GASKET, FILTER ELEMENT		1F3
GASKET, FREE WHEEL HUB		2L6
GASKET, FRONT AXLE DIFFERENTIAL CARRIER		2H6
GASKET, FRONT AXLE OUTER SHAFT FLANGE		2K6
GASKET, FRONT CLUTCH ACCUMLATOR, NO.1		2M2
GASKET, FRONT CLUTCH ACCUMLATOR, NO.2		2M2
GASKET, FRONT END PLATE		1J1
GASKET, FRONT OIL PUMP COVER		2F1
GASKET, FUEL PUMP BRACKET		1K4
GASKET, FUEL SENDER GAGE		3I9
GASKET, FUEL TANK CAP		3K7
GASKET, GOVERNOR BODY		2I2
GASKET, IDLE SPEED CONTROL VALVE		1K4
GASKET, KNUCKLE SPINDLE		2F9
GASKET, KNUCKLE SPINDLE OIL RETAINER		2F9
GASKET, LICENSE PLATE LAMP BODY		3H8
GASKET, LICENSE PLATE LAMP LENS		3H8
GASKET, LOCK UP RELAY VALVE BODY		2A3
GASKET, MANIFOLD TO CYLINDER HEAD		1C3
GASKET, OIL FILTER		1G2
GASKET, OIL PAN		1I1
GASKET, OIL STRAINER		2A3
GASKET, OUTER REAR VIEW MIRROR, LH		3D11
GASKET, OUTER REAR VIEW MIRROR, RH		3C11
GASKET, OUTPUT SHAFT BEARING RETAINER		2B4
GASKET, OXYGEN SENSOR		3K9
GASKET, PARKING AND CLEARANCE LAMP LENS, LH		3D8
GASKET, PARKING AND CLEARANCE LAMP LENS, RH		3D8
GASKET, REAR AXLE HOUSING COVER		2F5
GASKET, REAR AXLE OUTER SHAFT FLANGE		2J5
GASKET, REAR COMBINATION LAMP BODY, LH		3F8
GASKET, REAR COMBINATION LAMP BODY, RH		3F8
GASKET, REAR DIFFERENTIAL CARRIER		2F5
GASKET, REAR SIDE MARKER LAMP BODY, LH		3I8
GASKET, REAR SIDE MARKER LAMP BODY, RH		3I8
GASKET, THERMOSTAT		1K2
GASKET, THROTTLE BODY		1K4
GASKET, TIMING GEAR (OR CHAIN) COVER		1J1
GASKET, TRANSFER CASE		2B4
GASKET, TRANSFER CASE, FRONT		2B4
GASKET, TRANSFER COVER		2B4

PART	NAME	LOCATION
GASKET, TRANSFER POWER TAKE-OFF COVER		2B4
GASKET, TRANSFER SHIFT SHAFT GUIDE		2H4
GASKET, TRANSMISSION CASE ADPTOR		2H1
GASKET, TRANSMISSION CASE REAR COVER		2H1
GASKET, VALVE BODY PLATE, NO.3		2C3
GASKET, VALVE BODY PLATE, NO.4		2C3
GASKET, VALVE BODY, NO.1		2C3
GASKET, VALVE BODY, NO.2		2C3
GASKET, VALVE PUSH ROD COVER		1H1
GASKET, WATER OUTLET		1K2
GASKET, WATER OUTLET HOUSING		1K2
GASKET, WATER PUMP		1I2
GASKET, WATER PUMP COVER		1I2
GAUGE, OIL PRESSURE RECEIVER		3D9
GEAR ASSY, FRONT PLANETARY		2G2
GEAR ASSY, OVERDRIVE PLANETARY		2L1
GEAR ASSY, POWER STEERING		2K7
GEAR ASSY, REAR PLANETARY		2H2
GEAR OR SPROCKET, CAMSHAFT TIMING		1C2
GEAR OR SPROCKET, CRANKSHAFT TIMING		1B2
GEAR SUB-ASSY, DRIVE PLATE & RING		2E1
GEAR SUB-ASSY, FRONT PLANETARY SUN		2E2
GEAR SUB-ASSY, SPEEDOMETER DRIVEN (ATM)		2J1
GEAR SUB-ASSY, TRANSFER HIGH SPEED OUTPUT		2D4
GEAR, FRONT DIFFERENTIAL SIDE		2F6
GEAR, FRONT OIL PUMP DRIVE		2F1
GEAR, FRONT OIL PUMP DRIVEN		2F1
GEAR, FRONT PLANETARY RING		2H2
GEAR, OIL PUMP DRIVE		1E2
GEAR, OIL PUMP DRIVEN		1E2
GEAR, OVERDRIVE PLANETARY RING		2L1
GEAR, POWER TAKE-OFF DRIVE		2D4
GEAR, REAR DIFFERENTIAL SIDE		2D5
GEAR, REAR PLANETARY RING		2H2
GEAR, REAR PLANETARY SUN		2E2
GEAR, SPEEDOMETER DRIVE (FOR TRANSFER)		2D4
GEAR, SPIRAL, DISTRIBUTOR		1D4
GEAR, STARTER IDLE		1H4
GEAR, TRANSFER IDLER		2D4
GEAR, TRANSFER INPUT		2D4
GEAR, TRANSFER LOW		2E4
GLASS SUB-ASSY, FRONT DOOR, LH		3J4
GLASS SUB-ASSY, FRONT DOOR, RH		3J4
GLASS SUB-ASSY, REAR DOOR, LH		3D5
GLASS SUB-ASSY, REAR DOOR, RH		3D5
GLASS, BACK DOOR		3K5
GLASS, QUARTER WINDOW, LH		3K3
GLASS, QUARTER WINDOW, RH		3K3
GLASS, REAR DOOR WINDOW, LH		3E5
GLASS, REAR DOOR WINDOW, RH		3D5
GLASS, SPEEDOMETER		3D9
GLASS, WINDSHIELD		3F2
GRILLE, RADIATOR		3I1
GRILLE, SPEAKER		3M10
GRILLE, SPEAKER DOOR		3J4
GRIP ASSY, DOOR ASSIST, LH		3K6
GRIP ASSY, DOOR ASSIST, RH		3K6
GRIP ASSY, INSTRUMENT ASSIST		3K6
GRIP SUB-ASSY, ASSIST		3K6
GROMMET (FOR SHIFT LEVER PLATE)		2C1
GROMMET (FOR CONTROL SHAFT LEVER)		2B1
GROMMET (FOR DIFFERENTIAL LOCK BRACKET)		2A6
GROMMET (FOR DIFFERENTIAL LOCK LEVER)		2A6
GROMMET (FOR DIFFERENTIAL LOCK ROD)		2A6
GROMMET (FOR FUEL INJECTOR)		1K4

PART	NAME	LOCATION
WEATHERSTRIP, BACK DOOR GLASS		3K5
WEATHERSTRIP, FRONT DOOR OPENING TRIM, LH		3C4
WEATHERSTRIP, FRONT DOOR OPENING TRIM, RH		3C4
WEATHERSTRIP, FRONT DOOR, LH		3J4
WEATHERSTRIP, FRONT DOOR, RH		3J4
WEATHERSTRIP, LIFT GATE		3K5
WEATHERSTRIP, LIFT GATE, UPPER		3K5
WEATHERSTRIP, QUARTER WINDOW, LH		3K3
WEATHERSTRIP, QUARTER WINDOW, RH		3K3
WEATHERSTRIP, REAR DOOR QUARTER WINDOW, LH		3E5
WEATHERSTRIP, REAR DOOR QUARTER WINDOW, RH		3E5
WEATHERSTRIP, REAR DOOR, LH		3D5
WEATHERSTRIP, REAR DOOR, RH		3D5
WEATHERSTRIP, WINDSHIELD		3Q2
WEIGHT, BALANCE (FOR DISC WHEEL)		2K5
WEIGHT, GOVERNOR		212
WHEEL ASSY, STEERING		2H7
WHEEL, DISC (FOR FRONT)		2K5
WHEEL, DISC (FOR REAR)		2K5
WHEEL, DISC (FOR SPARE)		2K5
WIRE SUB-ASSY, FRONT TURN SIGNAL LAMP BODY		3C8
WIRE SUB-ASSY, INDICATOR LAMP		2B1
WIRE, BACK DOOR, NO.1		3A9
WIRE, BACK DOOR, NO.2		3A9
WIRE, CENTER FILLER, NO.1		3A9
WIRE, CONSOLE BOX		3A9
WIRE, COWL		3A9
WIRE, COWL, NO.2		3M8
WIRE, ENGINE		3M8
WIRE, ENGINE, NO.4		3M8
WIRE, FLOOR		3A9
WIRE, FLOOR, NO.2		3A9
WIRE, FLOOR, NO.3		3A9
WIRE, FRAME		3A9
WIRE, FRONT DOOR, LH		3A9
WIRE, FRONT DOOR, RH		3A9
WIRE, INDICATOR (FOR DIFF LOCK)		3M8
WIRE, INSTRUMENT PANEL		3B9
WIRE, LUGGAGE ROOM, NO.1		3M8
WIRE, LUGGAGE ROOM, NO.2		3A9
WIRE, LUGGAGE ROOM, NO.3		3A9
WIRE, PARKING BRAKE, LH		3A9
WIRE, PARKING BRAKE, RH		2L8
WIRE, REAR DOOR, NO.1		2K8
WIRE, REAR DOOR, NO.2		3A9
WIRE, REAR WINDOW, NO.2		3A9
WIRE, ROOF, NO.1		3A9
WIRE, ROOF, NO.3		3A9
WIRE, TRANSMISSION		3A9
WIRING, COOLER, NO.1		3M8
WIRING, TO SOLENOID		3H11
WORM KIT, POWER STEERING		3B9
WRENCH, HUB NUT BOX		2J7
WRENCH, MONKEY		1A1
WRENCH, SPARK PLUG		1A1
WRENCH, WHEEL CAP		1A1
YOKE ASSY, STARTER		1B1
YOKE SUB-ASSY, UNIVERSAL JOINT SLEEVE		1G4
YOKE, STEERING WORM		2L4
YOKE, UNIVERSAL JOINT FLANGE		2A7
		2L4

PART	NAME	LOCATION
------	------	----------

PART NUMBER	LOCATION	PART NUMBER	LOCATION	PART NUMBER	LOCATION	PART NUMBER	LOCATION	PART NUMBER	LOCATION	PART NUMBER	LOCATION
89669-60010-	3M9	90176-08014-	1G1	90201-79012-	2F6	90254-04012-	2J3	90711-24001-	2D7	90363-17004-	2E7
P 90096-90J22-	3C12	90179-96158-	3C10	-79013-	2D5	-05016-	2F4	-35085-	2H6	-18001-	2M6
90099-01458-	3C10	-08026-	3A10	-79014-	2F6	90256-04001-	2B1	-32035-	2C5	-28001-	2M6
-05141-	3C10	-10070-	1E3	-79015-	2D5	90280-03009-	1E2	-38134-	2E6	-30007-	2M6
-07048-	1E4	-12086-	2H7	-79016-	2F6	-05008-	2E7	-42010-	2C5	-35013-	2D4
-10110-	1E4	-22005-	2A4	-79017-	2D5	-05010-	1B2	-45008-	2E6	-40001-	2E4
-1011J-	1G4	-22010-	1B2	-79018-	2F6	90281-07004-	1C2	-47001-	2F1	-35022-	2G2
-10116-	1E4	-22011-	2C5	-79019-	2D5	90282-03005-	1B2	-48009-	1J1	-45008-	2G2
-10133-	3B12		2H6	-79020-	2F6	-03006-	2F7	-48010-	215	90364-17010-	2E4
-14020-	1D4	-26004-	2G2	-79021-	2D5		2D3	-62001-	2B4	-32003-	2K7
-17112-	1G4	90201-08566-	2B3	-79022-	2F6		2E3		2B4	-38012-	2D6
-32103-	3D10	-12042-	2J3	-79023-	2D5		2F3		2J5	-40001-	2D4
-33332-	3D10	-16012-	2J3	-79024-	2F6		2G3		2K6	90365-47013-	215
	3E10	-16013-	2H1	-79025-	2D5		2D3		2G3	90366-17001-	2F9
-52065-	1E4	-22005-	2A4	-79026-	2F6		2G3		2K7	-30011-	2C5
90101-10439-	218	-22007-	2C5	-79027-	2D5	90301-06005-	2H1	90312-32002-	2F4		2E6
				-79028-	2F6			90313-13001-			
-12021-	2J8		2H6	-79029-	2D5	P -06196-	2H1	-93001-	215	-30038-	2C5
-12060-	2H8	-30003-	2J7	-79030-	2F6	-07001-	1K4	-93011-	2F9		2E6
90105-06052-	2F5	-35002-	2E4	-79031-	2F6		1L4	90316-48003-	2A4	-35011-	2E4
	2G6	-40551-	2C5	-79032-	2D5		2E2	90331-48010-	1C2	-35054-	2E4
-06069-	212	-40552-	2H6	-79033-	2F6		2K1	90334-07009-	1F1	-40004-	2C5
-08114-	2E5	-40553-	2C5	-79034-	2D5		211	90339-04009-	2D3		2E6
-10096-	2G6	-40554-	2H6	90202-10103-	2C9		2K3	-04010-	2F3	-40059-	2C5
	2E2	-40555-	2C5	P 90206-12001-	2J3		2E8	-04011-	2E3		2E6
	2K1	-40556-	2H6	90209-52001-	2E2		2J1	-04012-	2F3	-60002-	2D5
P -10115-	2E1	-40557-	2C5	-52002-	2E2		1K4	-04014-	2A1		2F6
-10221-	1H3		216	-52003-	2E2		1H2	-04015-	2D3	90368-45066-	2D5
-11013-	2K4		216	-52004-	2E2		2E7	-04016-	2G3		2H6
-11030-	2E1		2C5	90210-10001-	2L7		2C3	-04017-	2D3		2J5
-12018-	3J7		216	-13001-	1G1		2M2		2E3		2L6
-12053-	2C5		2C5	90213-06013-	2K8		2C3		2F3		2J5
	2E6								2G3		2K6
				-07010-	2K8						
-13005-	1F1	-40558-	216	90214-42030-	2L6	-29003-	2B3	-04019-	2E3	-50024-	2D5
-14033-	1H1	-40559-	2C5	90215-42025-	2L6	-32002-	2M2	-04021-	2F3		2H6
90106-12022-	2E9	-40560-	216	90240-06158-	218	-33002-	2J7	-05008-	2D3	90369-22004-	2K7
90109-06008-	2D8	-40561-	2C5	-08042-	2B8	-33006-	2K7	-05009-	2G3	90374-25004-	2L1
-10091-	2D5		216	-08128-	2G4	-34004-	2C5	-06004-	2D3	-28007-	2L1
90113-03034-	2A1		216	-09001-	2B6	-34005-	2D4	-06008-	2G3	-30003-	2J7
-10003-	215		2C5	-10148-	2A6	-37004-	2D4	-06009-	2D3	-34001-	2A2
90114-11124-	2A4		216	-10157-	2G4	-51001-	2B3	90340-14001-	1F1		2B2
90116-06022-	1H1		2D5	90241-10017-	1A2	-53002-	2K7	-25001-	2M7		2H2
-08325-	215	-79001-	2F6	90249-08068-	2K8	-59003-	2F7	90341-08001-	2G1		2L1
	2K6	-79002-	2D5	-10017-	2C8	-60001-	2K1	-12012-	111	P 90381-33001-	2E9
	2B5	-79003-	2F6	90250-02016-	2D3	-60122-	2D7	-15001-	2F4	-33002-	2E9
	2E6	-79004-	2D5		2F3	-62004-	2A7	-16010-	2H1	90385-10064-	2D9
				-03036-	2D3	-64002-	2A2	-18006-	2B4	-12029-	2A8
				-03050-	2E3	-64005-	2K7		2F5	-16008-	2A1
									2H6	-19003-	219
				-03051-	2A3						
					2C3	-65145-	2K7	-18057-	2B4	-19057-	2A10
					2E3	-94J02-	2F2		2F5	90386-08155-	3M7
					2M2	-99027-	2A2		2H1	-09009-	2F5
					2A3		2K1		2H6		2G6
					2E7		2A2		2F5	-13014-	2B6
					215		2F1		2G6	-13192-	2C8
					2K4		2D2		111	90387-06065-	2A1
					1F1		2F2		1C3	-08002-	2B7
					2B4		2L1		2E9	-08099-	2C9
					111		2D2		2B3		2D9
					2G1		2L1		2C3	-09006-	2J9
					2D5		2J1		2K7	-09011-	2A6
					2F6		215		2B3	-10004-	2C8
					2D5		2J3		2E5	90389-02001-	3D9
					2F6	90253-16014-	2H4		2F4	-08005-	2B1
					2D5	-17003-	2K7		2G6	-18002-	2H9
					2D5	-18003-					

<p>3A1 (51-51) 1</p>  <p>Frame</p>	<p>3C1 (51-52) 2</p>  <p>Crossmember & Under Cover</p>	<p>3E1 (52-51) 3</p>  <p>Cab & Body Mounting</p>	<p>3G1 (52-52) 4</p>  <p>Front Bumper & Stay</p>	<p>3I1 (53-51) 5</p>  <p>Radiator Grille</p>	<p>3J1 (53-53) 6</p>  <p>Hood & Front Fender</p>	<p>3L1 (53-54) 7</p>  <p>Hood Lock & Hinge</p>	
<p>3L6 (74-54) 21</p>  <p>Battery Carrier</p>	<p>BODY GROUP (1/2)</p> 					<p>3M1 (53-55) 8</p>  <p>Front Fender Aaron</p>	
<p>3A6 (67-65) 20</p>  <p>Lock Cylinder Set</p>						<p>3F2 (55-53) 9</p>  <p>Cowl Panel & Glass</p>	
<p>3H5 (67-57) 19</p>  <p>Rear Door Regulator & Hinge</p>						<p>3H2 (57-51) 11</p>  <p>Floor Member</p>	
<p>3F5 (67-56) 18</p>  <p>Rear Door Lock & Handle</p>	<p>3D7 (75-52) 22</p>  <p>Moulding</p>	<p>3H7 (77-51) 23</p>  <p>Fuel Tank & Tube</p>					
<p>3C5 (67-55) 17</p>  <p>Rear Door Panel & Glass</p>	<p>3A5 (67-54) 16</p>  <p>Front Door Regulator & Hinge</p>	<p>3L4 (67-53) 15</p>  <p>Front Door Lock & Handle</p>	<p>3H4 (67-51) 14</p>  <p>Front Door Panel & Glass</p>	<p>3L3 (61-53) 13</p>  <p>Roof Panel & Back Panel</p>	<p>3G3 (61-51) 12</p>  <p>Side Member</p>	<p>3A3 (58-53) 11</p>  <p>Floor Insulator</p>	

MARK & ABBREVIATION LIST

113

MARK.ABBREVIATION	DEFINITION
A	AMPERES
ABV	AIR BY-PASS VALVE
ACCUMULATOR	ACCUMULATOR
ACV	AIR CONTROL VALVE
ADJUSTABLE SEAT	ADJUSTABLE SEAT
ADJUSTER	ADJUSTER
AERODYNAMIC PACKAGE	AERODYNAMIC PACKAGE
AI	AIR INJECTION
AIR CLEANER	AIR CLEANER
AIR CONDITIONER	AIR CONDITIONER
AIR MIX	AIR MIX
AIR PUMP	AIR PUMP
AIR-CON =AIC	AIR CONDITIONER
AISAN	MANUFACTURER
AISIN	MANUFACTURER
ALTERNATOR	ALTERNATOR
ALTITUDE	ALTITUDE
ALUMI	ALUMINUM
AM/FM	AM/FM
AM/SW	AM/SW
AMBER-RED-CLEAR	AMBER-RED-CLEAR
ANGLE	ANGLE
ANTI BOTTOMING	ANTI BOTTOMING
ARAI	MANUFACTURER
ARAKAWA	MANUFACTURER
ARCH	ARCH
AREA	AREA
ARMREST	ARMREST
ASV	AIR SWITCHING VALVE
ATM	AUTOMATIC TRANSMISSION
AUSTRIA	AUSTRIA
AUXILIARY	AUXILIARY
AXC	AXLE CODE (STATED IN TRANS/AXLE OF NAME PLATE)
AXLE	AXLE
BACK	BACK
BATTERY	BATTERY
BEIGE	BEIGE
BELGIUM	BELGIUM
BELT	BELT
BENCH SEAT	BENCH SEAT
BIG	BIG
BLACK	BLACK
BLADE	BLADE

MARK.ABBREVIATION	DEFINITION
BLUE	BLUE
BLUE NICA	BLUE NICA
BLUISH GRAY	BLUISH GRAY
BODY	BODY
BOOSTER	BOOSTER
BRIDGESTONE	MANUFACTURER
BRK	BRAKE
BROWN	BROWN
BSTR	BOOSTER
BUMPER	BUMPER
BV	BOOST VENTILATOR
BVSV	BIMETAL VACUUM SWITCHING VALVE
CARPET	CARPET
CARRIER	CARRIER
CARTRIDGE	CARTRIDGE
CAST IRON BODY	CAST IRON BODY
CHARGE	CHARGE
CHASSIS	CHASSIS
CHINA	CHINA
CHROME PLATED	CHROME PLATED
CITIZEN	MANUFACTURER
CKD	COMPLETE KNOCK DOWN
CLEANER	CLEANER
CLOCK	CLOCK
CM	CENTIMETERS
COLD	COLD
COLLAPSIBLE STEERING	COLLAPSIBLE STEERING
CONNECTOR	CONNECTOR
CONSOLE	CONSOLE
COOLER	COOLER
CR-PLATED	CHROME PLATED
CTR	CENTER
CW	COIL WINDING
D GRAY	DARK GRAY
D. BLUE	DARK BLUE
D=	DIAMETER (MM)
DEF	DEFOGGER
DEFROSTER	DEFROSTER
DENMARK	DENMARK
DENSO	MANUFACTURER
DIFF	DIFFERENTIAL
DIFFERENTIAL	DIFFERENTIAL
DIRECT	DIRECT
DISC BRAKE	DISC BRAKE

PART NUMBER	LOCATION	PART NUMBER	LOCATION	PART NUMBER	LOCATION	PART NUMBER	LOCATION	PART NUMBER	LOCATION	PART NUMBER	LOCATION
90389-18002-	2L9	90467-08011-	3F2	90501-17008-	2F5	90521-99021-	2L1	90916-03071-	1K2	S 90937-01418-	215
90401-08004-	1L4		3J1	-18677-	2F1	-99040-	2H2	90917-06004-	1E3	S -01419-	215
-12097-	1L4	-09014-	3J1	-19002-	2B3	-99041-	2H2	-06012-	1E3	90942-01047-	2K5
-14093-	1F2	-11085-	1L2	-20012-	2J8	-99042-	2G2	-06023-	1E3	-02052-	2J5
-18083-	1H2	-12035-03	3B3	-20083-	2F5	-99043-	2K1	-06024-	1E3	-02053-	2K6
90402-16042-	1F2	-12035-06	3B3		2H6	90522-32011-	2L7	-10049-	1M3	-03079-	2K5
-26702-	1M4	-13001-	1J4	-23014-	2F7	-40043-	2H8	-10065-	2J4	-03080-	2K5
90404-10018-	2G5		1K2	-27008-	2B3	-48044-	2H8	-10076-	1J3	-03081-	2K5
-10019-	2H6		1K4	-29003-	2G4	90523-05002-	2J2	-11023-	1M3	-03082-	2K5
-14012-	1J3	-15120-	1L1	-30014-	2C3	-06004-	2B3	90919-01064-	1B4	-03083-	2K5
-16008-	1F2	-16001-	2E8	-33004-	2M2	-06005-	2E3	-02113-	1B4	-03084-	2K5
-16022-	2K3	-16002-	2G8	-40008-	2B3	90524-15008-	2F3	-03086-	1C4	-03085-	2K5
-26003-	1M4	-18002-	1L1	-45011-	2A7	90541-03015-	1D2	-12745-	1B4	-03086-	2K5
-51093-	2J4	-22003-	1J4	-45114-	2M7	-06008-	3D2	-12746-	1B4	-03107-	2K5
-51319-	2G8	-23001-	1J3	-45342-	1C2	-08003-	2C8	-12747-	1B4	-05009-	2L5
-54035-	1C3	-28703-	113	90502-16004-	1D2		3K7	-12748-	1B4	90945-02034-	2M6
90407-10004-	2D8	-31110-	2C9	90503-04003-	2B3	90560-06009-	1F3	-12749-	1C4	-02038-	2M6
-14005-	2K3	-32002-	2L7	90506-12031-	2K8	-10406-	2G4	-12750-	1C4	90948-01031-	219
-16006-	2K3	-42001-	1L2	-12451-	2C8	-20008-	2J3	-12949-	1B4	-02015-	2J9
-16013-	2K3	90468-12003-	218	-18031-	2K8	-35008-	2D4	-12950-	1C4	-02017-	219
90410-11005-	1F2	-18071-	3E6	-20033-	2L8	-35009-	2G2	-12951-	1B4	-02032-	2J9
-18002-	1M4	90480-01336-	2A6	-23009-	2M6	-38003-	2E4	-12952-	1B4	-02033-	2D2
90413-04005-	2J4	-13005-	1K4	-26011-	2J8	-72001-	2G2	-12953-	1C4	-02114-	219
-10042-	2B9	-13012-	2A6	-26014-	2K8	-72002-	2G2	-12954-	1C4	-03011-	2A10
-10106-	2C9	-15002-	3L1	90507-14001-	2B7	-72003-	2G2	-13271-	1B4		219
-10214-	2B9	-17019-	2A6	90508-29017-	3M7	90561-04010-	2H7	-13328-	1B4	P 90950-01073-03	3E3
90430-06104-	2D8	-17158-	2A8	-30004-	2J3	-06006-	212	-21410-	1B4	P -01073-06	3E3
-08009-	1L4	-17177-	2B1	90520-01002-	3A5	-09005-	1L2	90923-01349-	1L4	S 90980-05022-	3K10
-08011-	1L4	-17401-	2G4	-15001-	3H5	-10004-	1K4	-01350-	1L4	S -05067-	3K10
-09253-	2D8	-18001-	1L1	-17042-	2E7	90562-18151-	2D8	-05011-	1M1	S -05106-	3K10
-10022-	2E8	-20016-	2A6	-22013-	2M6	-30002-	2J7	90925-03057-	1M3	S -05110-	3K10
	214	90501-06043-	2E3		2H2	-31002-	2K7	90929-01189-	1M4	N -05127-	3K10
-12005-	1L4	-07005-	2B1	-27091-	2J6	-32002-	2K7	-01192-	1C4	-07003-	2M8
-12011-	111	-07009-	2B1	-28036-	2J6	-48001-	2J7	90930-03075-	2B4	-07048-	3M8
-12019-	111	-07040-	2E3	-29024-	2L4	-67002-	2K7	-03094-	2G1	-07251-	3M8
-12245-	3J7	-07042-	2F3	-29025-	2L4	90564-06002-	2G3	90937-01117-	215	90981-05034-	3A8
-15261-	1F2	-07049-	2E3	-29026-	2L4	-70001-	2D4	-01118-	215	-05035-	3A8
-18008-	2A4		2F3	-29027-	2L4	-70002-	2D4	-01119-	215	-11004-	3J8
-18012-	1H2	-07065-	212	-29051-	1C2	-70003-	2D4	-01121-	215	-11010-	3E9
-26302-	2F5	-08062-	2F3	-31001-	2K6	-70004-	2D4	-01122-	215	-11018-	3D9
	2G6	-08075-	2G3	-33009-	2E2	-70005-	2D4	-01132-	2K4		3J8
-43002-	1K2	-08095-	2D3	-33107-	2E4	-70006-	2D4	-01147-	2K4	P -11020-	3E8
90445-11072-	2H1	-09056-	2D3	-33110-	2E4	-70007-	2D4	-01148-	2K4	P -11018-	318
-12065-	1L2	-10087-	2K1	-50001-	2A2	-70008-	2D4	-01149-	2K4	P -12010-	3D8
-12078-	1L2	-10092-	2A2		2B2	-70009-	2D4	-01150-	2K4	90982-01414-	3K8
-14072-	3G10	-10094-	2A3	-87001-	2L1	-70010-	2D4	-01151-	2K4	-02207-	3K8
-16038-	1L1	-10098-	2B3	90521-01002-	2F2	-70011-	2E4	-01152-	2K4	-05030-	3K8
-18089-	2G7	-10099-	2G3		2A7	-70012-	2E4	-01184-	2K4	-08251-	3B9
-18090-	2G7	-10107-	2C3	-22011-	2A7	-70013-	2E4	-01191-	2K4	-09002-	3H9
-22015-	3J7	-10108-	2B2	-22012-	2A7	90587-08001-	2A6	-01192-	2K4	-09003-	3H9
-22504-	3J7	-10126-	2G3	-22013-	2A7	90910-01006-	1D2	-01193-	2K4	-09004-	3H9
-31018-	113	-10138-	2A8	-25002-	1A2	-01012-	1D2	-01194-	2K4	-09005-	3H9
90446-06013-	3F10	-10745-	2A8	-44002-	2D7	-02050-	1F1	-01268-	2K4	90987-01003-	3J9
-06292-	3F10	-11024-	2A3		2K7	-02057-	1H1	-01269-	2K4	-02004-	3H9
90447-12058-	3K7	-11030-	2A3	-75023-	2E4	-04012-	3F2	-01408-	215		3K9
90460-01001-	2G7	-11041-	2E3	-90002-	2L1	-12079-	1M3	-01409-	215	-02006-	3J9
90461-10387-	2H6	-12083-	2G3	-99017-	2B2	90913-02048-	1C2	-01410-	215	-03001-	3J9
-10558-	2G5	-12086-	212		2L1	-03005-	1U2	-01411-	215	-04002-	3J9
90462-12038-	2K3	-12090-	2A3	-99018-	2H2	-03012-	1D2	-01412-	215	90999-00066-	3A6
90464-00105-	1C4	-12099-	2H7	-99019-	2L1	-05020-	1D2	-01413-	215	-00104-	3A6
-00208-	1C4	-12103-	2E7	-99021-	2D2	90915-01014-	111	-01414-	215	-73072-	1A2
90467-06161-18	3E4	-14087-	1D2		2F2	90916-02141-	1A3	-01415-	215	-92003-	2J4
-07041-03	3E3	-15006-	2E3		2H2	-02193-	1A3	-01416-	215	91121-51070-	2C8
-07041-06	3E3	-16115-	2F4		2K1	-03052-	1K2	-01417-	215	91511-60850-	2F1

3D1 (51-53)



Spare Wheel Carrier

3H1 (52-53)



Rear Bumper & Stay

3B2 (55-51)



Instrument Panel

3I2 (58-51)



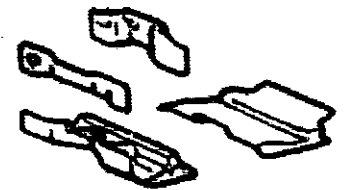
Front Floor Panel & Member

3L2 (58-52)



Rear Floor Panel & Member

3B3 (58-54)



Floor Mat & Pad

3Q7 (75-54)



Tool Box & License Bracket

3B7 (75-51)



Emblem & Name Plate

3A7 (74-56)



Ash Receptacle

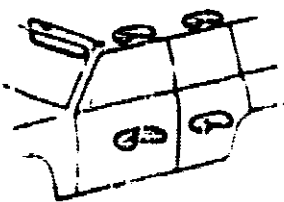
3M6 (74-55)



DIESEL

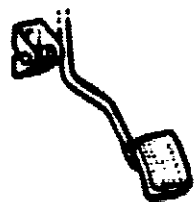
Caution Plate

3J6 (74-51)



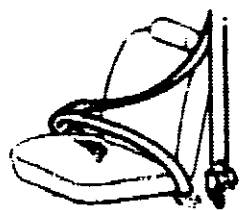
Armrest & Visor

3L7 (78-51)



Accelerator Link

3H6 (71-52)



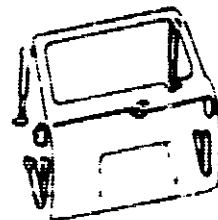
Seat Belt

3C6 (71-51)



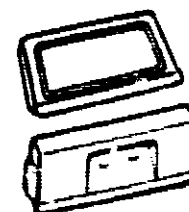
Seat & Seat Track

3L5 (67-62)



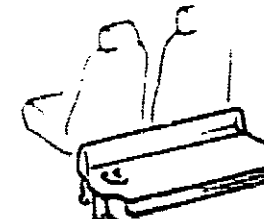
Back Door Lock & Hinge

3J5 (67-61)



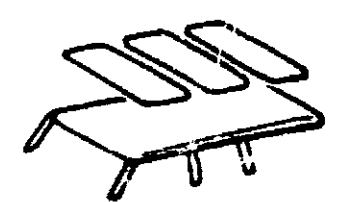
Back Door Panel & Glass

3G4 (64-55)



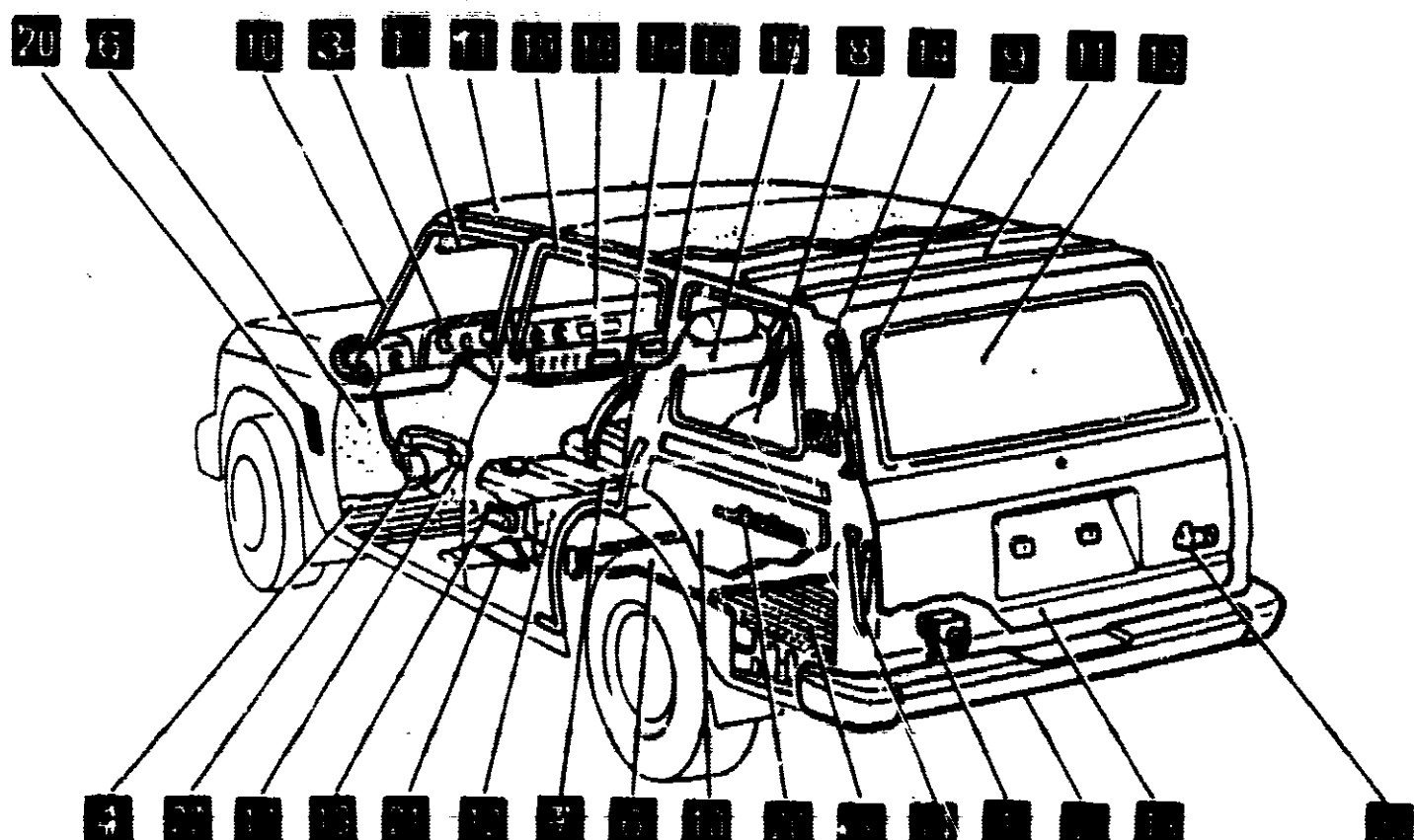
Deck Board & Deck Trim Cover

3E4 (64-52)

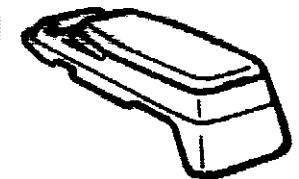


Roof Headling & Pad

BODY GROUP (2/2)



3D3 (58-55)



Console Box

3K3 (61-52)



Side Window

3A4 (61-55)



Rear & Roof Ventilator

3B4 (64-51)



Inside Trim Board

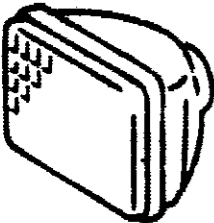
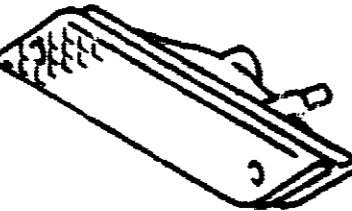


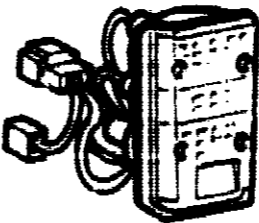

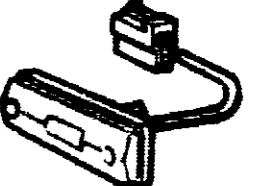
PART	NAME	LOCA TION	PART	NAME	LOCA TION
HOSE, VACUUM, NO.3 (FOR FRONT DRIVE SHIFT)		2J4	KEY, OIL PUMP DRIVE SHAFT		1E2
HOSE, VENTILATION, NO.2		1L1	KEY, STRAIGHT (FOR ACCUMULATOR CONTROL VALVE NO.1)		2G3
HOSE, VENTILATION, NO.3		1L1	KEY, STRAIGHT (FOR CUT BACK VALVE)		2E3
HOSE, VENTILATION, NO.4		1L1	KEY, STRAIGHT (FOR DETENT REGULATOR VALVE)		2D3
HOSE, WATER BY-PASS		1K2	KEY, STRAIGHT (FOR INTERMEDIATE MODULATOR VALVE)		2D3
HOSE, WATER BY-PASS, NO.1		1J4	KEY, STRAIGHT (FOR LOW COAST SHIFT VALVE)		2D3
HOSE, WATER BY-PASS, NO.2		1J4	KEY, STRAIGHT (FOR LOW MODULATOR VALVE)		2D3
HOSE, WINDSHIELD WASHER (FROM JOINT TO JOINT OR NOZZLE)		1K2	KEY, STRAIGHT (FOR MANUAL DOWN TIMING VALVE)		2G3
HOSE, WINDSHIELD WASHER (FROM JOINT TO NOZZLE)		3D10	KEY, STRAIGHT (FOR SECONDARY REGULATOR VALVE)		2F3
HOSE, WINDSHIELD WASHER (FROM MOTOR TO JOINT OR NOZZLE)		3E10	KEY, STRAIGHT (FOR 2ND LOCK VALVE)		2F3
HOUSING ASSY, FRONT AXLE		3D10	KEY, STRAIGHT (FOR 3-2 KICK DOWN ORIFICE CONTROL VALVE)		2G3
HOUSING ASSY, REAR AXLE		2H6	KEY, STRAIGHT (FOR 3RD COAST SHIFT)		2F3
HOUSING ASSY, STARTER DRIVE		2F5	KEY, VANE PUMP PULLEY		2E7
HOUSING SUB-ASSY, HEADLAMP, LH		1G4	KEY, WOODRUFF (FOR TIMING GEAR)		1C2
HOUSING SUB-ASSY, HEADLAMP, RH		3A8	KNOB AND ELEMENT ASSY, CIGARETTE LIGHTER		3J9
HOUSING SUB-ASSY, POWER STEERING GEAR		3A8	KNOB RADIO RECEIVER		3K10
HOUSING SUB-ASSY, VALVE		2K7	KNOB SUB-ASSY, SHIFT LEVER		2F4
HOUSING SUB-ASSY, VANE PUMP, FRONT		2J7	KNOB SUB-ASSY, SHIFT LEVER (FOR FLOOR SHIFT)		2A1
HOUSING SUB-ASSY, VANE PUMP, REAR		2D7	KNOB, DIFFERENTIAL LOCK, FRONT		2A6
HOUSING, AUTOMATIC TRANSMISSION		2D7	KNOB, DIFFERENTIAL LOCK, REAR		2A6
HOUSING, POSITION INDICATOR, LOWER		2H1	KNOB, FRONT DOOR LOCK CONTROL		3M4
HOUSING, POSITION INDICATOR, UPPER		2B1	KNOB, HEATER		3F11
HOUSING, WATER OUTLET		2B1	KNOB, HEATER CONTROL LEVER		3J11
HUB (OR SHAFT) & BRAKE DRUM REAR AXLE, RH		1K2	KNOB, LIGHT CONTROL RHEOSTAT		3I9
HUB ASSY, FREE WHEEL		2J5	KNOB, PARKING BRAKE RELEASE ROD		2A8
HUB SUB-ASSY, FRONT AXLE		2L6	KNOB, REAR DOOR LOCK CONTROL		3G5
HUB SUB-ASSY, MAGNET CLUTCH		2K6	KNUCKLE, STEERING, LH		2E9
HUB, BOOSTER REACTION DISK		3C12	KNUCKLE, STEERING, RH		2E9
HUB, FRONT CLUTCH		2G8	LABEL, COMPRESSOR CAUTION		3C12
HUB, REAR AXLE		2A2	LABEL, FUEL INFORMATION		3M6
HUB, REAR CLUTCH		2I5	LABEL, TRANSFER INFORMATION		3M6
HUB, TRANSFER CLUTCH		2B2	LAMP ASSY, FRONT MARKER, LH		3E8
IGNITER ASSY		2E4	LAMP ASSY, FRONT MARKER, RH		3E8
INJECTOR ASSY, COLD START FUEL		3K9	LAMP ASSY, FRONT TURN SIGNAL, LH		3C8
INJECTOR ASSY, FUEL		1K4	LAMP ASSY, FRONT TURN SIGNAL, RH		3C8
INSULATOR ASSY, COWL TOP		1K4	LAMP ASSY, GLOVE BOX		3J8
INSULATOR ASSY, DASH PANEL		3F2	LAMP ASSY, HEATER CONTROL INDICATOR, NO.1		2E9
INSULATOR SUB-ASSY, MAIN MUFF HEAT, FRONT		3A2	LAMP ASSY, INDICATOR		3E9
INSULATOR SUB-ASSY, MAIN MUFF HEAT, REAR		3A3	LAMP ASSY, LICENSE PLATE		3H8
INSULATOR, COOLER CONDENSER MOUNTING		3A3	LAMP ASSY, PARKING AND CLEARANCE, LH		3D8
INSULATOR, DASH PANEL HEAT, NO.1		3M11	LAMP ASSY, PARKING AND CLEARANCE, RH		3D8
INSULATOR, ENGINE MOUNTING, FRONT		3A2	LAMP ASSY, REAR COMBINATION, LH		3F8
INSULATOR, ENGINE MOUNTING, REAR NO.1		1K1	LAMP ASSY, REAR COMBINATION, RH		3F8
INSULATOR, EXHAUST MANIFOLD HEAT, NO.1		1K1	LAMP ASSY, REAR SIDE MARKER, LH		3I8
INSULATOR, EXHAUST MANIFOLD HEAT, NO.2		1C3	LAMP ASSY, REAR SIDE MARKER, RH		3I8
INSULATOR, EXHAUST MANIFOLD HEAT, NO.3		1C3	LAMP ASSY, ROOM, NO.1		3J8
INSULATOR, FRONT FLOOR HEAT, NO.1		1C3	LEAF, FRONT SPRING, NO.1		2H9
INSULATOR, FRONT FLOOR HEAT, NO.2		3A3	LEAF, FRONT SPRING, NO.2		2H9
INSULATOR, FRONT FLOOR HEAT, NO.3		3A3	LEAF, FRONT SPRING, NO.3		2H9
INSULATOR, HOOD		3J1	LEAF, FRONT SPRING, NO.4		2I9
INSULATOR, INJECTOR VIBRATION		1L4	LEAF, FRONT SPRING, NO.5		2I9
INSULATOR, LOAD SENSING VALVE HEAT		2B9	LEAF, REAR HELPER SPRING, NO.1		2M9
INSULATOR, RADIATOR MOUNTING		1L2	LEAF, REAR SPRING, NO.1		2L9
JAR ASSY, HEADLAMP CLEANER WASHER		3G10	LEAF, REAR SPRING, NO.2		2L9
JAR ASSY, REAR WASHER		3F10	LEAF, REAR SPRING, NO.3		2L9
JAR ASSY, WINDSHIELD WASHER		3D10	LEAF, REAR SPRING, NO.4		2L9
JOINT, HEADLAMP CLEANER HOSE		3D10	LEAF, REAR SPRING, NO.5		2L9
JOINT, REAR WASHER ELBOW		3G10	LEAF, REAR SPRING, NO.6		2M9
JOINT, REAR WASHER HOSE, NO.1		3F10	LEAF, REAR SPRING, NO.7		2M9
JOINT, WINDSHIELD WASHER HOSE		3F10	LENS, CONSOLE END PANEL LAMP		2B1
KEY (FOR CRANKSHAFT TIMING GEAR)		3D10	LENS, FRONT MARKER LAMP, LH		3E8
KEY, BLANK		1B2	LENS, FRONT MARKER LAMP, RH		3E8
KEY, BOOSTER VALVE PLUNGER		3A6	LENS, FRONT TURN SIGNAL LAMP, LH		3C8
KEY, CRANKSHAFT (FOR CRANKSHAFT PULLEY SET)		2G8	LENS, FRONT TURN SIGNAL LAMP, RH		3C8
		1B2	LENS, LICENSE PLATE LAMP		3H8

MARK & ABBREVIATION LIST

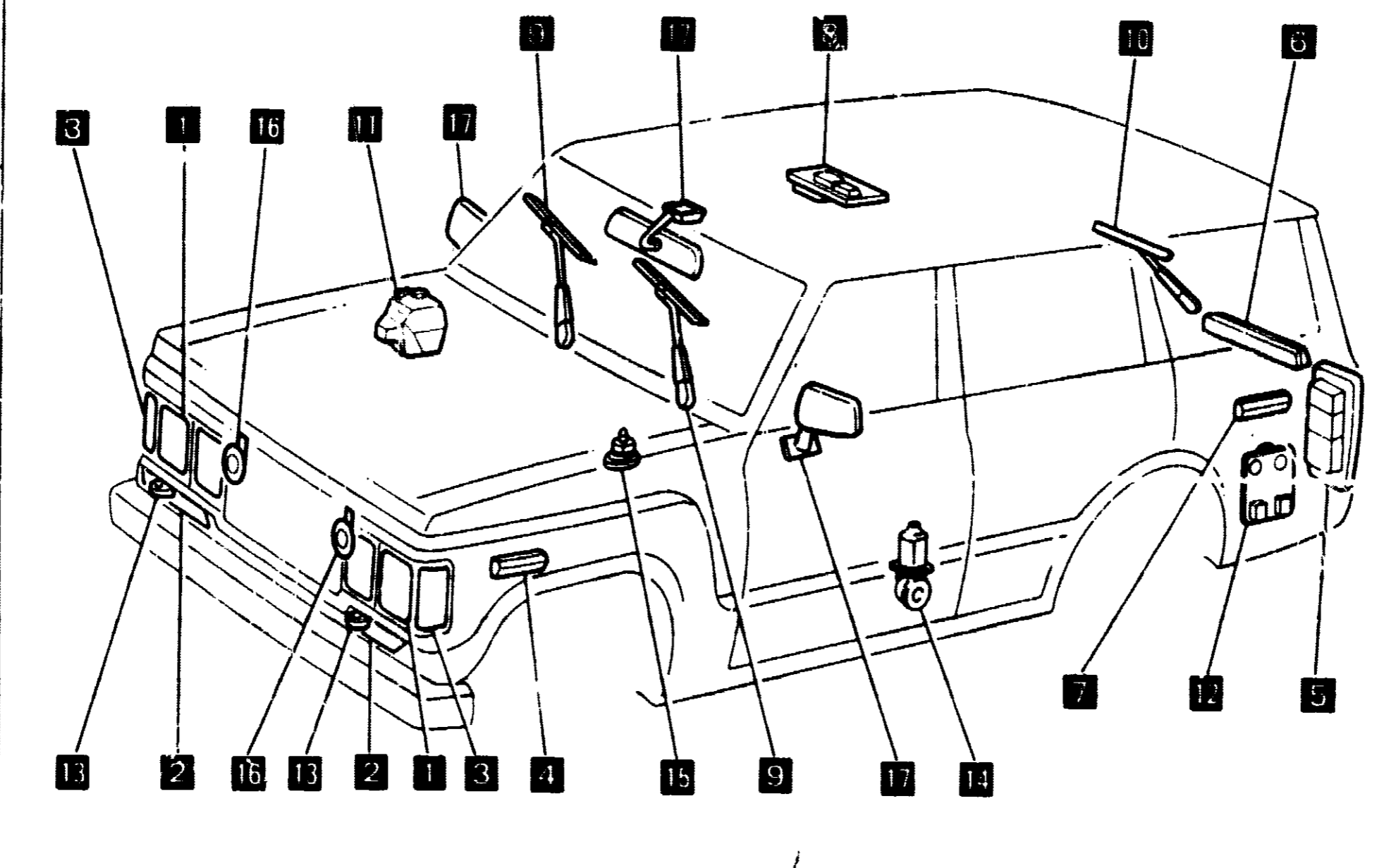
J13


MARK.ABBREVIATION	DEFINITION
DISCHARGE	DISCHARGE
DOOR LOCK	DOOR LOCK
DOUBLE	DOUBLE
DRAIN	DRAIN
DRUM BRAKE	DRUM BRAKE
DSC	DESCRIPTION
DSPV	DECELERATION SENSING PROPORTIONING VALVE
DUCT	DUCT
DUNLOP	MANUFACTURER
ECE	ECONOMIC COMMISSION FOR EUROPE
EFI	ELECTRONIC FUEL INJECTION SYSTEM
EGR	EXHAUST GAS RECIRCULATION SYSTEM
EGR-VM	EGR VACUUM MODULATOR
EHT	ELECTRICAL HEATED TEMPERED
EHTT	ELECTRICAL HEATED, TINTED, TEMPERED
EL	ELECTROMAGNETIC LOCK
ELECTRIC	ELECTRIC
ELECTRICAL	ELECTRICAL
ELR	EMERGENCY LOCKING RETRACTOR
ENGINE	ENGINE
ENGLAND	ENGLAND
ETR	ELECTRONIC TUNING RADIO
EXCL/	EXCLUDE...
EXHAUST	EXHAUST
FB	FABRIC
FEED PUMP	FEED PUMP
FILTER	FILTER
FIN PICH	FIN PICH
FINLAND	FINLAND
FIXED	FIXED
FLO	FUEL LID
FOGLAMP	FOGLAMP
FOLDING SEAT	FOLDING SEAT
FR	FRONT
FRANCE	FRANCE
FREE WHEELHUB	FREE WHEELHUB
FRG	FINAL GEAR RATIO
FROM	FROM
FRS	FOLDING REAR SEAT
FUEL	FUEL
FUEL FLOATING	FUEL FLOATING
FUEL TANK	FUEL TANK
FUJI-THOMSON	MANUFACTURER

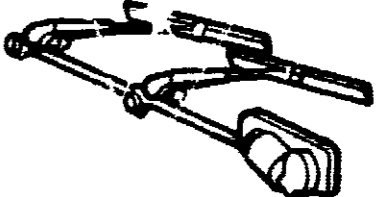
MARK.ABBREVIATION	DEFINITION
FULL CAP	FULL CAP
FULL CONCEALED WIPER	FULL CONCEALED WIPER
FURUKAWA	MANUFACTURER
G	GRAMS
GLASS	GLASS
GOLD	GOLD
GRAY	GRAY
GREEN	GREEN
GREI	GREI
GREIGE	GREIGE
GS	MANUFACTURER
H.L.	CUT HOSE TO LENGTH AS SPECIFIED IN REMARKS
H=	HEIGHT
HAC	HIGH ALTITUDE COMPENSATOR
HALF CAP	HALF CAP
HALOGEN	HALOGEN
HAZARD	HAZARD
HEATER	HEATER
HEAVY	HEAVY
HEXAGON	HEXAGON
HIGH	HIGH
HIGH-OCTANE	HIGH-OCTANE
HONG KONG	HONG KONG
ID=	INSIDE DIAMETER (MM)
IGNITION COIL	IGNITION COIL
IKI	MANUFACTURER
ILLUMINATED	ILLUMINATED
IM-FB	IMITATION FABRIC
IN	INCHES
INDONESIA	INDONESIA
INJECTION PUMP	INJECTION PUMP
INLET	INLET
INNER	INNER
INSIDE	INSIDE
INSULATOR	INSULATOR
INTAKE	INTAKE
ISO	INTERNATIONAL ORGANIZATION FOR STANDARDIZATION
IVORY	IVORY
JECO	MANUFACTURER
JKC	MANUFACTURER
K-FB	KNIT FABRIC
K-TY	KNIT TAPE YARN

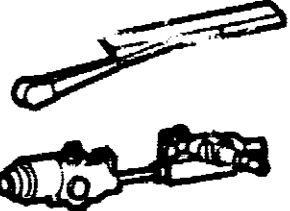
<p>3A8 (81-01) 1</p>  <p>Headlamp</p>	<p>3C8 (81-03) 2</p>  <p>Front Turn Signal Lamp</p>	<p>3D8 (81-04) 3</p>  <p>Front Clearance Lamp</p>	<p>3E8 (81-05) 4</p>  <p>Front Marker Lamp</p>	<p>3F8 (81-11) 5</p>  <p>Rear Combination Lamp</p>	<p>3H8 (81-13) 6</p>  <p>License Plate Lamp</p>	<p>3I8 (81-14) 7</p>  <p>Rear Side Marker Lamp</p>
---	---	--	--	--	---	--

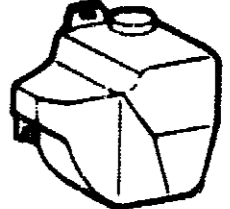
ELECTRICAL GROUP (1/2)

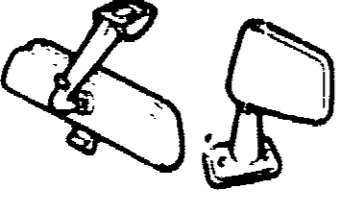

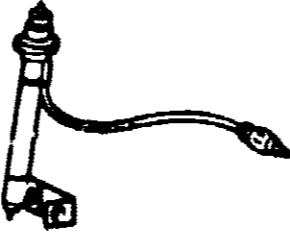

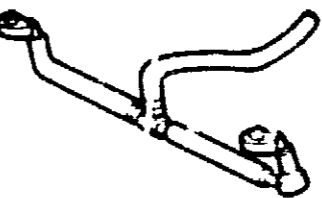



<p>3J6 (81-21) 8</p>  <p>Interior Lamp</p>
--

<p>3A10 (85-01) 9</p>  <p>Windshield Wiper</p>

<p>3C10 (85-02) 10</p>  <p>Rear Wiper</p>

<p>3D10 (85-03) 11</p>  <p>Windshield Washer</p>
--

<p>3C11 (97-01) 12</p>  <p>Mirror</p>	<p>3B11 (86-11) 13</p>  <p>Horn</p>	<p>3A11 (86-04) 14</p>  <p>Antenna</p>	<p>3I10 (85-11) 15</p>  <p>Door Motor & Door Solenoid</p>	<p>3G10 (85-15) 16</p>  <p>Headlamp Cleaner</p>	<p>3F10 (85-04) 17</p>  <p>Rear Washer</p>
---	--	--	---	---	--

PART	NAME	LOCATION
LENS, METER, NO.1		3D9
LENS, PARKING AND CLEARANCE LAMP, LH		3D8
LENS, PARKING AND CLEARANCE LAMP, RH		3D8
LENS, PARKING BRAKE WARNING LAMP		2B1
LENS, REAR COMBINATION LAMP, LH		3F8
LENS, REAR COMBINATION LAMP, RH		3F8
LENS, REAR SIDE MARKER LAMP, LH		3I8
LENS, REAR SIDE MARKER LAMP, RH		3I8
LENS, ROOM LAMP, NO.1		3J8
LEVER ASSY, PARKING BRAKE		2A8
LEVER ASSY, TRANSFER HIGH & LOW SHIFT		2G4
LEVER SUB-ASSY, HIGH & LOW SHIFT INNER		2F4
LEVER SUB-ASSY, MANUAL VALVE		2J3
LEVER SUB-ASSY, PARKING BRAKE SHOE, LH (FOR REAR BRAKE)		2K8
LEVER SUB-ASSY, PARKING BRAKE SHOE, RH (FOR REAR BRAKE)		2K8
LEVER SUB-ASSY, SHIFT (FOR FLOOR SHIFT)		2A1
LEVER SUB-ASSY, STEERING TILT		2B7
LEVER, BACK DOOR KEY CYLINDER		3B6
LEVER, CABLE GUIDE SUPPORT		2B8
LEVER, CONTROL SHAFT (FOR FLOOR SHIFT)		2B1
LEVER, DIFFERENTIAL LOCK, FRONT		2A6
LEVER, DIFFERENTIAL LOCK, REAR		2A6
LEVER, FRONT DIFFERENTIAL LOCK CYLINDER		2G6
LEVER, FRONT DRIVE SHIFT LINK		2H4
LEVER, JACK HANDLE		1A1
LEVER, REAR BRAKE AUTOMATIC ADJUST, LH		2L8
LEVER, REAR BRAKE AUTOMATIC ADJUST, RH		2L8
LEVER, REAR DIFFERENTIAL LOCK CYLINDER		2F5
LEVER, TRANSFER HIGH AND LOW SHIFT OUTER		2G4
LEVER, TRANSMISSION CONTROL SHAFT		2J3
LID SUB-ASSY, FUEL FILLER OPENING		3K7
LIFTER, VALVE		1D2
LIGHTER ASSY, CIGARETTE		3J9
LINING, REAR BRAKE SHOE (FOR FRONT OR UPPER)		2L8
LINING, REAR BRAKE SHOE (FOR REAR OR LOWER)		2L8
LINK ASSY, DIFFERENTIAL LOCK CABLE		2B6
LINK ASSY, WINDSHIELD WIPER		3A10
LINK SUB-ASSY, BACK DOOR LOCK CONTROL		3M5
LINK SUB-ASSY, REAR DOOR LOCKING CONTROL, LH		3G5
LINK SUB-ASSY, REAR DOOR LOCKING CONTROL, RH		3G5
LINK SUB-ASSY, STABILIZER		2A10
LINK, BACK DOOR LOCK CONTROL, LH NO.3		3M5
LINK, BACK DOOR LOCK CONTROL, RH		3M5
LINK, DIFFERENTIAL LOCK, FRONT		2A6
LINK, DIFFERENTIAL LOCK, REAR		2A6
LINK, FRONT DOOR LOCK REMOTE CONTROL, LH		3M4
LINK, FRONT DOOR LOCK REMOTE CONTROL, RH		3M4
LINK, REAR DOOR LOCK REMOTE CONTROL, LH		3G5
LINK, REAR DOOR LOCK REMOTE CONTROL, RH		3G5
LOCK ASSY, BACK DOOR		3M5
LOCK ASSY, BACK DOOR, LOWER		3M5
LOCK ASSY, FRONT DOOR, LH		3L4
LOCK ASSY, FRONT DOOR, RH		3L4
LOCK ASSY, HOOD		3L1
LOCK ASSY, REAR DOOR, LH		3F5
LOCK ASSY, REAR DOOR, RH		3F5
LOCK ASSY, TAIL GATE, LOWER LH		3M5
LOCK SUB-ASSY, FUEL FILLER OPENING LID		3J7
LOCK SUB-ASSY, REAR SEAT BACK, LH		3G6
LOCK SUB-ASSY, REAR SEAT BACK, RH		3G6
LOCK, FRONT DIFFERENTIAL BEARING ADJUSTING NUT		2G6
LOCK, REAR AXLE SHAFT		2I5
LOCK, REAR DIFFERENTIAL BEARING ADJUSTING NUT		2D5
LOCK, VALVE SPRING RETAINER		1D2
LOUVER, QUATER VENTILATION, LH		3A4

PART	NAME	LOCATION
LOUVER, QUATER VENTILATION, RH		3A4
MAGNET, OIL CLEANER (FOR TRANSMISSION)		2I1
MANIFOLD, AIR INJECTION		1J3
MANIFOLD, EXHAUST		1C3
MANIFOLD, INTAKE		1C3
MASTER SWITCH, ASSY, POWER WINDOW REGULATOR		3J9
MAT, REAR SEAT CUSHION		3F6
MEMBER SUB-ASSY, CENTER FLOOR CROSS		3M2
MEMBER SUB-ASSY, CENTER FLOOR CROSS, NO.2		3M2
MEMBER SUB-ASSY, FRONT CROSS		3A2
MEMBER SUB-ASSY, REAR FLOOR CROSS, NO.1		3M2
MEMBER SUB-ASSY, REAR FLOOR CROSS, NO.2		3M2
MEMBER SUB-ASSY, REAR FLOOR SIDE, LH		3H2
MEMBER SUB-ASSY, REAR FLOOR SIDE, RH		3H2
MEMBER, FLOOR SIDE, INNER LH		3J2
MEMBER, FLOOR SIDE, INNER RH		3J2
METER ASSY, INTAKE AIR FLOW		1G3
MIRROR ASSY, INNER REAR VIEW		3C11
MIRROR ASSY, OUTER REAR VIEW, LH		3C11
MIRROR ASSY, OUTER REAR VIEW, RH		3C11
MODULATOR ASSY, EGR VACUUM		1M4
MOTOR AND BRACKET ASSY, WINDSHIELD WIPER		3A10
MOTOR AND LINK ASSY, REAR WIPER		3C10
MOTOR AND PUMP ASSY, HEADLAMP CLEANER WASHER		3G10
MOTOR AND PUMP ASSY, WINDSHIELD WASHER		3D10
MOTOR ASSY, POWER WINDOW REGULATOR, FRONT LH		3I10
MOTOR ASSY, POWER WINDOW REGULATOR, FRONT RH		3I10
MOTOR ASSY, POWER WINDOW REGULATOR, REAR LH		3I10
MOTOR ASSY, POWER WINDOW REGULATOR, REAR RH		3I10
MOTOR ASSY, REAR WASHER		3F10
MOTOR SUB-ASSY, HEATER BLOWER		3F11
MOTOR, COOLING FAN		1K2
MOULDING ASSY, FRONT DOOR BELT, LH		3E7
MOULDING ASSY, FRONT DOOR BELT, RH		3E7
MOULDING ASSY, REAR DOOR BELT, LH		3E7
MOULDING ASSY, REAR DOOR BELT, RH		3E7
MOULDING, BACK WINDOW, OUTSIDE LH		3E7
MOULDING, BACK WINDOW, OUTSIDE LOWER		3E7
MOULDING, BACK WINDOW, OUTSIDE RH		3E7
MOULDING, FRONT DOOR WINDOW FRAME, FRONT LH		3E7
MOULDING, FRONT DOOR WINDOW FRAME, FRONT RH		3E7
MOULDING, FRONT DOOR WINDOW FRAME, REAR LH		3F7
MOULDING, FRONT DOOR WINDOW FRAME, REAR RH		3F7
MOULDING, QUARTER WINDOW, OUTSIDE FRONT LH		3E7
MOULDING, QUARTER WINDOW, OUTSIDE FRONT RH		3E7
MOULDING, QUARTER WINDOW, OUTSIDE REAR LH		3E7
MOULDING, QUARTER WINDOW, OUTSIDE REAR RH		3E7
MOULDING, REAR DOOR WINDOW FRAME, FRONT LH		3F7
MOULDING, REAR DOOR WINDOW FRAME, FRONT RH		3F7
MOULDING, REAR DOOR WINDOW FRAME, REAR LH		3F7
MOULDING, REAR DOOR WINDOW FRAME, REAR RH		3F7
MOULDING, REAR DOOR WINDOW FRAME, UPPER LH		3F7
MOULDING, REAR DOOR WINDOW FRAME, UPPER RH		3F7
MOULDING, REAR SEAT BACK, LH		3F6
MOULDING, REAR SEAT BACK, RH		3F6
MOULDING, REAR SEAT BACK, UPPER		3F6
MOULDING, REAR SEAT CUSHION, FRONT		3E6
MOULDING, REAR SEAT CUSHION, LH		3E6
MOULDING, REAR SEAT CUSHION, REAR LH		3E6
MOULDING, REAR SEAT CUSHION, REAR RH		3E6
MOULDING, REAR SEAT CUSHION, RH		3E6
MOULDING, ROCKER PANEL, LH		3F7
MOULDING, ROCKER PANEL, RH		3F7
MOULDING, ROOF CARRIER		3M3
MOULDING, ROOF DRIP SIDE FINISH, FRONT LH		3E7

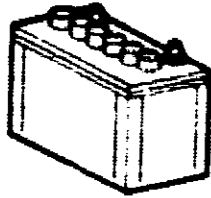
MARK & ABBREVIATION LIST

K13

MARK.ABBREVIATION	DEFINITION
KAYABA	MANUFACTURER
KCAL	KILO CALORIE
KG	KILOGRAMS
KG/CM2	KILOGRAMS PER CENTIMETER SQUARE
KM	KILOMETERS
KOBE	MANUFACTURER
KOITO	MANUFACTURER
KOKI	MANUFACTURER
KOYO	MANUFACTURER
KUZEH	MANUFACTURER
KW	KILOWATS
L GRAY	LIGHT GRAY
L-	LIGHT
L*	LENGTH (MM)
LAM	LAMINATED
LEF	LEAF TYPE REAR SUSPENSION
LH	LEFT-HAND
LHD	LEFT-HAND DRIVE
LIGHT	LIGHT
LITTLE	LITTLE
LOCATION	LOCATION
LOCK	LOCK
LOW-OCTANE	LOW-OCTANE
LSD	LIMITED SLIP DIFFERENTIAL
LWR	LOWER
M	METERS
M.	METALLIC
M/C	MASTER CYLINDER
MAGNET	MAGNET
MAIN	MAIN
MALAYSIA	MALAYSIA
MANUAL	MANUAL
MARK	MARK
MARON	MARON
MARUKO	MANUFACTURER
MARUYASU	MANUFACTURER
MASTER KEY	MASTER KEY
MATSUSHITA	MANUFACTURER
MECHANICAL	MECHANICAL
MEDIUM	MEDIUM
MEMORY ADJUST	MEMORY ADJUST
METER	METER
MIDDLE EAST COUNTRY	MIDDLE EAST COUNTRY
MILE	MILE

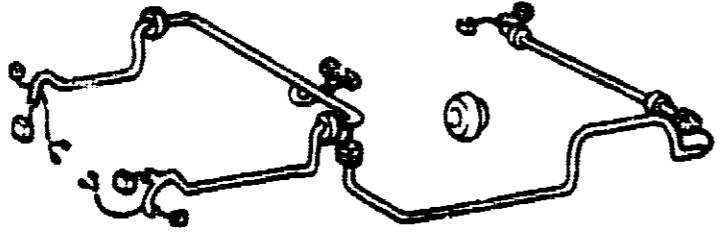
MARK.ABBREVIATION	DEFINITION
MIRROR	MIRROR
MIST WIPER	MIST WIPER
MITSUBISHI	MANUFACTURER
MM	MILLIMETERS
MODELS	MODELS
MOULDING	MOULDING
MTM	MANUAL TRANSMISSION
MURAKAMI	MANUFACTURER
N=	NUMBER OF TEETH
NACHI	MANUFACTURER
NETHERLANDS	NETHERLANDS
NEW ZEALAND	NEW ZEALAND
NICHIASU	MANUFACTURER
NICHIGASU	MANUFACTURER
NITTAN	MANUFACTURER
NO.	NUMBER
NOK	MANUFACTURER
NORWAY	NORWAY
NORWAY	NORWAY
NSK	MANUFACTURER
O/S	OVERSIZE
OD=	OUTSIDE DIAMETER (MM)
OIL BATH	OIL BATH
OIL PRESSURE S/W	OIL PRESSURE SWITCH
OK MONITOR	OK MONITOR
OMAN	OMAN
ONE	ONE
OPENER	OPENER
OR	OR
ORANGE	ORANGE
ORNAMENT	ORNAMENT
OUTER	OUTER
OUTLET	OUTLET
OUTSIDE	OUTSIDE
OVERDRIVE	OVERDRIVE
OVERSIZE	OVERSIZE
P & B	PROPORTIONING & BY-PASS VALVE
P=	PITCH
PACIFIC	PACIFIC
PAPER ELEMENT	PAPER ELEMENT
PART NUMBER	PART NUMBER
PASSENGER	PASSENGER
PCV	POSITIVE CRANKCASE VENTILATION SYSTEM

3K8 (82-01)



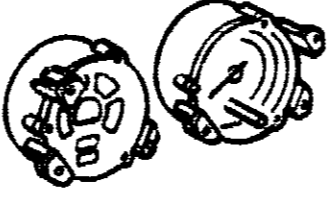
Battery & Cable

3L8 (82-02)



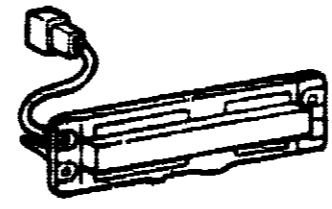
Wiring & Clamp

3C9 (83-01)



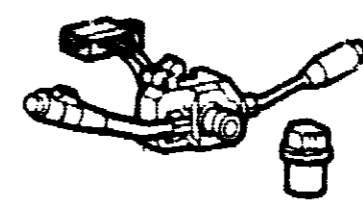
Meter

3E9 (83-02)



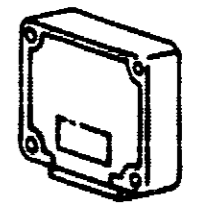
Indicator

3F9 (84-01)



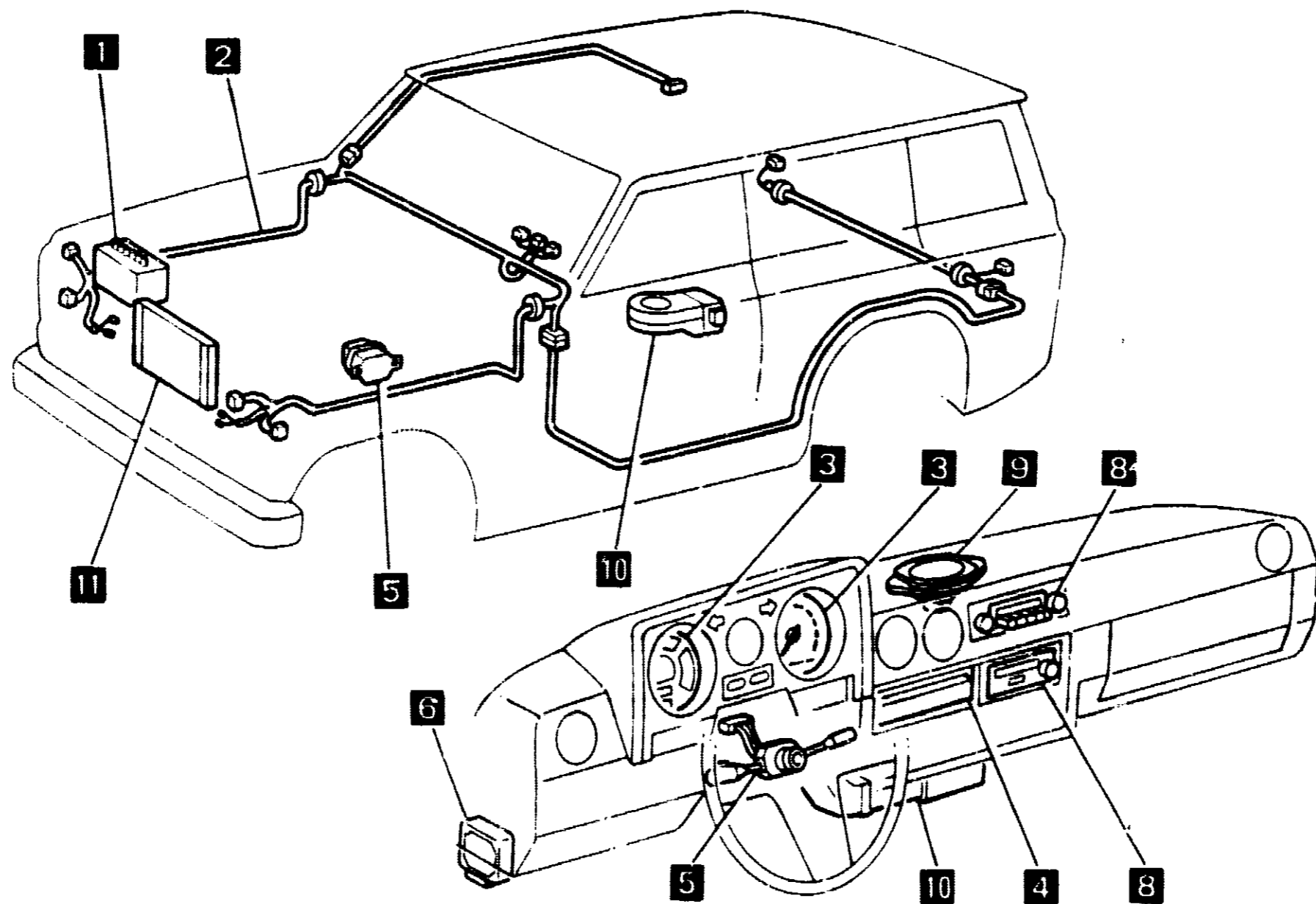
Switch & Relay

3L9 (84-04)

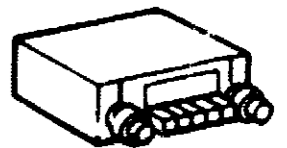


EFI

ELECTRICAL GROUP (2/2)

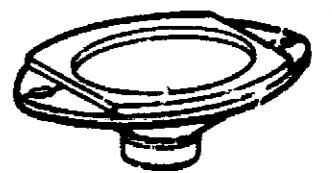


3J10 (86-01)



Radio & Tape Player

3L10 (86-02)



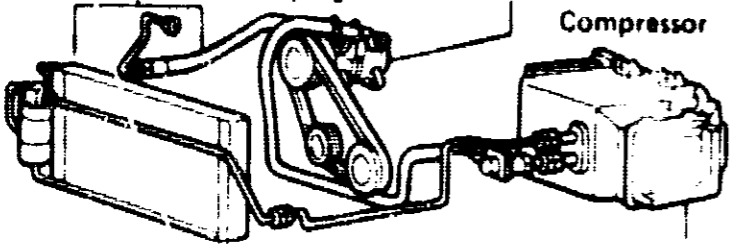
Speaker

3M11 (87-18)

Piping

3A12 (87-19)

Compressor

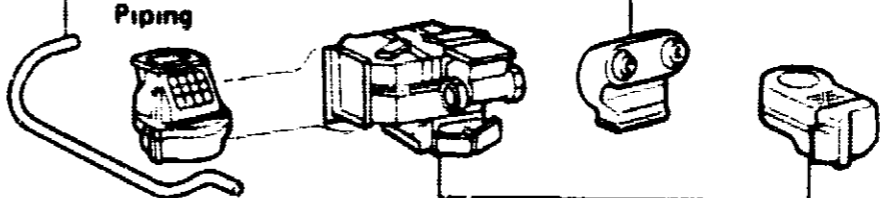


3G11 (87-14) Unit

3K11 (87-16)

Piping

3I11 (87-15) Duct



3E11 (87-12) Unit

PART	NAME	LOCATION
MOULDING, ROOF DRIP SIDE FINISH, FRONT RH		3D7
MOULDING, ROOF DRIP SIDE FINISH, REAR LH		3E7
MOULDING, ROOF DRIP SIDE FINISH, REAR RH		3E7
MOULDING, ROOF DRIP, REAR		3E7
MOULDING, WINDSHIELD, OUTER UPPER		3D7
MOULDING, WINDSHIELD, OUTSIDE LH		3D7
MOULDING, WINDSHIELD, OUTSIDE LOWER		3D7
MOULDING, WINDSHIELD, OUTSIDE RH		3D7
MUDGUARD SUB-ASSY, FRONT FENDER, LH		3K1
MUDGUARD SUB-ASSY, FRONT FENDER, RH		3K1
MUDGUARD SUB-ASSY, QUARTER PANEL, REAR LH		3J3
MUDGUARD SUB-ASSY, QUARTER PANEL, REAR RH		3J3
NOZZLE ASSY, DEFROSTER		3M2
NOZZLE SUB-ASSY, COWL PANEL WATER EXTRACT		3D2
NOZZLE SUB-ASSY, WASHER		3F2
NOZZLE SUB-ASSY, WASHER		3D10
NOZZLE, HEADLAMP CLEANER WASHER		3F10
NOZZLE, OIL		3G10
NOZZLE, SIDE DEFROSTER, NO.1		111
NOZZLE, SIDE DEFROSTER, NO.2		3E2
NUT (FOR BACKING PLATE TO REAR AXLE HOUSING SETTING)		3E2
NUT (FOR CRANKSHAFT PULLEY)		2J8
NUT (FOR DRIVE PINION)		1B2
NUT (FOR FRONT STABILIZER BAR)		2C5
NUT (FOR OUTPUT SHAFT)		2J9
NUT (FOR REAR WIPER ARM SETTING)		2Q2
NUT (FOR STEERING DAMPER)		3C10
NUT (FOR TRANSFER OUTPUT SHAFT)		2M7
NUT (FOR WIPER ARM SETTING)		2A4
NUT, BOOSTER		3A10
NUT, CAP (FOR CYLINDER HEAD COVER)		2G8
NUT, CASTLE (FOR FRONT AXLE DRIVE PINION)		1G1
NUT, CASTLE (FOR PITMAN ARM)		2H6
NUT, CASTLE (FOR TIE ROD END)		2L7
NUT, EXHAUST PIPE SET STUD BOLT		2L7
NUT, FRONT DIFFERENTIAL BEARING ADJUSTING		1E3
NUT, FRONT WHEEL ADJUSTING		2F6
NUT, HEXAGON (FOR CONNECTING ROD BOLT)		2L6
NUT, HEXAGON (FOR VALVE ADJUSTING)		1A2
NUT, HUB (FOR AXLE)		1D2
NUT, LOCK		2K5
NUT, LOCK, NO.1		2K7
NUT, REAR AXLE BEARING LOCK		2L7
NUT, REAR DIFFERENTIAL BEARING ADJUSTING		2J5
NUT, REAR WIPER LINK PIVOT, NO.1		2D5
NUT, STEERING WHEEL SET		3C10
NUT, UNION (FOR OIL PUMP OUTLET PIPE)		2H7
NUT, UNION, EGR PIPE, NO.1		1F2
NUT, WING (FOR AIR CLEANER)		1M4
NUT, CASTLE (FOR RELAY ROD)		1F3
ORNAMENT ASSY, FRONT FENDER, LH		2L7
ORNAMENT ASSY, FRONT FENDER, RH		3C7
ORNAMENT SUB-ASSY, WHEEL HUB		3C7
OUTLET, WATER		2K5
PACKING		1K2
PACKING (FOR RADIATOR DRAIN COCK)		3G10
PACKING, BACK DOOR SERVICE HOLE, NO.3		3M11
PACKING, BACK DOOR SERVICE HOLE, NO.5		1L2
PACKING, DUST PROOF		3J5
PACKING, FUEL TANK OUTER FILLER PIPE		3J5
PACKING, REAR FLOOR SERVICE HOLE		1D4
PACKING, REAR WIPER PIVOT, NO.1		3K7
PACKING, TRANSMISSION COVER		3M2
		3C10
		3K2

PART	NAME	LOCATION
PAD KIT, DISC BRAKE, FRONT		2H8
PAD SUB-ASSY, INSTRUMENT PANEL SAFETY		3C2
PAD, BACK DOOR LOCK CONTROL		3M5
PAD, BACK DOOR LOCK CYLINDER		3B6
PAD, BRAKE PEDAL		2C8
PAD, FUEL FILLER LID LOCK CYLINDER		3A6
PAD, LOCK CYLINDER		3B6
PAD, QUARTER PANEL SILENCER		3J3
PAD, REAR SPRING		2M9
PAD, ROOF HEADLINING FRONT SIDE		3E4
PAD, ROOF HEADLINING, CTR		3E4
PAD, ROOF SILENCER, NO.1		3E4
PAD, ROOF SILENCER, NO.3		3E4
PAD, ROOF SILENCER, NO.4		3E4
PAN SUB-ASSY, AUTOMATIC TRANSMISSION OIL		2H1
PAN SUB-ASSY, OIL		111
PAN, CENTER FLOOR		3J2
PAN, FRONT FLOOR		3J2
PAN, REAR FLOOR		3M2
PANEL ASSY, BACK DOOR TRIM		3J5
PANEL ASSY, INSTRUMENT CLUSTER FINISH		3C2
PANEL ASSY, QUARTER TRIM, CENTER		3D4
PANEL ASSY, QUARTER TRIM, REAR LH		3D4
PANEL SUB-ASSY, BACK DOOR		3J5
PANEL SUB-ASSY, BODY LOWER BACK		3M2
PANEL SUB-ASSY, BODY LOWER BACK, INNER		3M2
PANEL SUB-ASSY, COWL		3F2
PANEL SUB-ASSY, COWL SIDE, LH		3G3
PANEL SUB-ASSY, COWL SIDE, RH		3G3
PANEL SUB-ASSY, DASH		3A2
PANEL SUB-ASSY, FRONT DOOR, LH		314
PANEL SUB-ASSY, FRONT DOOR, RH		314
PANEL SUB-ASSY, INSTRUMENT		3C2
PANEL SUB-ASSY, REAR DOOR, LH		3C5
PANEL SUB-ASSY, REAR DOOR, RH		3C5
PANEL SUB-ASSY, ROOF SIDE, INNER LH		313
PANEL SUB-ASSY, ROOF SIDE, INNER RH		313
PANEL SUB-ASSY, TAIL GATE		3J5
PANEL, COWL TOP, OUTER		3F2
PANEL, FRONT DOOR, OUTER LH		314
PANEL, FRONT DOOR, OUTER RH		314
PANEL, FRONT END		3J1
PANEL, INSTRUMENT CLUSTER FINISH, CENTER NO.1		3C2
PANEL, QUARTER WHEEL HOUSE, INNER LH		313
PANEL, QUARTER WHEEL HOUSE, INNER RH		313
PANEL, QUARTER WHEEL HOUSE, OUTER LH		313
PANEL, QUARTER WHEEL HOUSE, OUTER RH		313
PANEL, QUARTER, LH		313
PANEL, QUARTER, RH		313
PANEL, REAR DOOR, OUTER LH		3C5
PANEL, REAR DOOR, OUTER RH		3C5
PANEL, REAR FLOOR SIDE, LH		3M2
PANEL, REAR FLOOR SIDE, RH		3M2
PANEL, ROCKER, OUTER LH		3H3
PANEL, ROCKER, OUTER RH		3H3
PANEL, ROOF		3L3
PANEL, ROOF SIDE, INNER FRONT LH		313
PANEL, ROOF SIDE, INNER FRONT RH		313
PANEL, ROOF SIDE, OUTER LH		313
PANEL, ROOF SIDE, OUTER RH		313
PANEL, WINDSHIELD HEADER, INNER		3L3
PAWL ASSY, TILT STEERING		2B7
PAWL, PARKING LOCK		2J3
PEDAL SUB-ASSY, BRAKE		2C8
PEDAL, ACCELERATOR		3M7

MARK & ABBREVIATION LIST

L13

MARK.ABBREVIATION	DEFINITION
PF	PERFORATED FOAM COATED VINYL
PIONEER	LEATHERETTE
PITCH	MANUFACTURER
PNC	PITCH
POINT	PART NAME CODE
	POINT
POWER STEERING	POWER STEERING
POWER TRAIN	POWER TRAIN
POWER WINDOW	POWER WINDOW
PROD. DATE	PRODUCTION DATE
PS	POWER STEERING
PTO	POWER TAKE OFF
PV	PROPORTIONING VALVE
QTY	QUANTITY
R	RATIO
R/P	REPLACEMENT PART
RADIATOR	RADIATOR
RADIO	RADIO
REAR WINDOW	REAR WINDOW
RECLINING SEAT	RECLINING SEAT
RED	RED
RED MICA	RED MICA
REGULATOR	REGULATOR
RELAY	RELAY
REMOTE CONTROL	REMOTE CONTROL
REP	REPAIR
REV.REF.CODF	REVISION REFERENCE CODE
REVERSE	REVERSE
RH	RIGHT-HAND
RHD	RIGHT-HAND DRIVE
RR	REAR
RW	REAR WIPER
RWD	REAR WINDOW DEFOGGER
S=	SCREW LENGTH (MM)
SAUDI ARABIA	SAUDI ARABIA
SEALED BEAM	SEALED BEAM
SEAT BELT	SEAT BELT
SEAT HEATER	SEAT HEATER
SEAT TRACK	SEAT TRACK
SEMI CONCEALED WIPER	SEMI CONCEALED WIPER
SEPARATE SEAT	SEPARATE SEAT
SERT	SOLAR-ENERGY REFLECTING TEMPERED GLASS
SHADOW GRAY	SHADOW GRAY
SHINKOBE	MANUFACTURER

MARK.ABBREVIATION	DEFINITION
SILVER	SILVER
SINGLE	SINGLE
SINGLE	SINGLE
SLEEVE YOKE	SLEEVE YOKE
SLIDE TYPE	SLIDE TYPE
SLIDING SEAT	SLIDING SEAT
SMALL	SMALL
SMG	SPEEDOMETER GEAR
SOCKET	SOCKET
SOUTH AFRICA	SOUTH AFRICA
SP	SEPARATE SEAT
SP-BN	SPLIT BENCH SEAT
SPARE	SPARE
SPEAKER	SPEAKER
SPEC	SPECIFICATION
SPOKE	SPOKE
STAINLESS	STAINLESS
STANLEY	MANUFACTURER
STD	STANDARD TYPE
STEEL	STEEL
STEP	STEP
STEREO	STEREO
STRG	STEERING
SUMITOMO	MANUFACTURER
SUNROOF	SUNROOF
SUPER RED	SUPER RED
SUSPENSION	SUSPENSION
SW	SWITCH
SWEDEN	SWEDEN
SWITZERLAND	SWITZERLAND
T/L	TUBELESS
T=	THICKNESS (MM)
TAC	TACHOMETER
TAIL	TAIL
TAKATA	MANUFACTURER
TANAKA	MANUFACTURER
TANDEM	TANDEM
TAPE PLAYER	TAPE PLAYER
TEM	TEMPERED
TEN	MANUFACTURER
TERMINAL	TERMINAL
THROTTLE	THROTTLE
TILT	TILT
TINTED LAMINATED	TINTED LAMINATED

FIGURE NUMBER INDEX

LOCATION	FIG. No.	SUMMARY	LOCATION	FIG. No.	SUMMARY	LOCATION	FIG. No.	SUMMARY
TOOL GROUP			POWER TRAIN - CHASSIS GROUP					
1A1	09-01	STANDARD TOOL				2G7	45-03	OIL COOLER & TUBE
ENGINE GROUP						2H7	45-04	STEERING WHEEL
1C1	11-01	PARTIAL ENGINE ASSEMBLY	2A1	33-12	SHIFT LEVER & RETAINER	2I7	45-05	STEERING GEAR & LINK
1D1	11-02	SHORT BLOCK ASSEMBLY	2D1	35-01	TRANSAXLE OR TRANSMISSION ASSY & GASKET KIT (ATM)	2A8	46-01	PARKING BRAKE & CABLE
1E1	11-03	ENGINE OVERHAUL GASKET KIT	2E1	35-02	TORQUE CONVERTER, FRONT OIL PUMP & CHAIN (ATM)	2C8	47-01	BRAKE PEDAL & BRACKET
1F1	11-04	CYLINDER HEAD	2G1	35-03	TRANSMISSION CASE & OIL PAN (ATM)	2D8	47-02	BRAKE MASTER CYLINDER
1H1	11-05	CYLINDER BLOCK	2J1	35-05	SPEEDOMETER DRIVEN GEAR (ATM)	2F8	47-03	BRAKE BOOSTER
1J1	11-06	TIMING GEAR COVER & REAR END PLATE	2K1	35-06	OVERDRIVE GEAR (ATM)	2H8	47-05	FRONT DISC BRAKE CALIPER & DUST COVER
1K1	11-07	MOUNTING	2A2	35-07	BRAKE BAND & MULTIPLE DISC CLUTCH (ATM)	2J8	47-06	REAR BACKING PLATE & WHEEL CYLINDER
1L1	12-01	VENTILATION HOSE	2D2	35-08	CENTER SUPPORT & PLANETARY SUN GEAR (ATM)	2M8	47-08	BRAKE TUBE & CLAMP
1M1	13-01	CRANKSHAFT & PISTON	2F2	35-09	BRAKE NO. 3, 1ST & REVERSE BRAKE (ATM)	2E9	48-02	FRONT AXLE ARM & STEERING KNUCKLE
1C2	13-02	CAMSHAFT & VALVE	2G2	35-10	PLANETARY GEAR, REVERSE PISTON & COUNTER GEAR (ATM)	2G9	48-03	FRONT SPRING & SHOCK ABSORBER
1E2	15-01	OIL PUMP				2K9	48-04	REAR SPRING & SHOCK ABSORBER
1G2	15-02	OIL FILTER	2I2	35-11	REAR OIL PUMP & GOVERNOR (ATM)			
1H2	15-03	OIL COOLER	2K2	35-12	VALVE BODY & OIL STRAINER (ATM)			
1I2	16-01	WATER PUMP	2I3	35-13	THROTTLE LINK & VALVE LEVER (ATM)			
1J2	16-03	RADIATOR & WATER OUTLET	2K3	35-14	OIL COOLER & TUBE (ATM)			
1A3	16-05	V BELT	2M3	36-08	TRANSFER ASSEMBLY & GASKET KIT			
1B3	17-01	MANIFOLD	2A4	36-09	TRANSFER CASE & EXTENSION HOUSING			
1D3	17-02	EXHAUST PIPE	2C4	36-10	TRANSFER GEAR			
1F3	17-03	AIR CLEANER	2F4	36-11	TRANSFER LEVER & SHIFT ROD			
1H3	17-05	AIR PUMP	2H4	36-12	DIAPHRAGM CYLINDER			
1I3	17-06	MANIFOLD AIR INJECTION SYSTEM	2J4	36-16	TRANSFER VACUUM PIPING			
1K3	17-08	VACUUM PIPING	2K4	37-01	PROPELLER SHAFT & UNIVERSAL JOINT			
1A4	17-09	CAUTION PLATE & NAME PLATE	2M4	41-01	REAR AXLE HOUSING & DIFFERENTIAL			
1B4	19-01	IGNITION COIL & SPARK PLUG	2H5	41-02	REAR AXLE SHAFT & HUB			
1D4	19-02	DISTRIBUTOR	2K5	41-03	DISK WHEEL & WHEEL CAP			
1E4	19-03	ALTERNATOR	2M5	42-01	DIFFERENTIAL LOCK CONTROL			
1G4	19-04	STARTER	2C6	43-01	FRONT AXLE HOUSING & DIFFERENTIAL			
FUEL GROUP			2J6	43-02	DRIVE SHAFT			
1I4	22-01	FUEL INJECTION SYSTEM	2K6	43-03	FRONT AXLE HUB			
1M4	25-01	EXHAUST GAS RECIRCULATION SYSTEM	2M6	45-01	STEERING COLUMN & SHAFT			
			2D7	45-02	VANE PUMP & RESERVOIR			



PART	NAME	LOCA TION	PART	NAME	LOCA TION
PIECE, BALANCE (FOR PROPELLER SHAFT)		2K4	PIPE SUB-ASSY, FUEL, NO.3		1L4
PIECE, BALANCE (FOR REAR BRAKE DRUM)		2I5	PIPE SUB-ASSY, HEATER WATER		3L11
PIECE, DISTRIBUTOR CAP CENTER		1D4	PIPE SUB-ASSY, HEATER WATER, A		3L11
PILLAR SUB-ASSY, CENTER BODY, LH		3H3	PIPE SUB-ASSY, WATER		3L11
PILLAR SUB-ASSY, CENTER BODY, RH		3H3	PIPE, COOLER REFRIGERANT LIQUID, F (FOR COOLER UNIT)		3H11
PILLAR SUB-ASSY, FRONT BODY, OUTER LH		3G3	PIPE, COOLER REFRIGERANT LIQUID, Q		3M11
PILLAR SUB-ASSY, FRONT BODY, OUTER RH		3G3	PIPE, HEATER WATER INLET		3F11
PILLAR, CENTER BODY, INNER LOWER LH		3H3	PIPE, HEATER WATER OUTLET, A		3L11
PILLAR, CENTER BODY, INNER LOWER RH		3H3	PIPE, OIL COOLER		1H2
PILLAR, CENTER BODY, INNER UPPER LH		3H3	PIPE, OIL PUMP OUTLET		1F2
PILLAR, CENTER BODY, INNER UPPER RH		3H3	PIPE, RADIATOR		1L2
PILLAR, FRONT BODY, INNER LH		3G3	PIPE, WATER		3F11
PILLAR, FRONT BODY, INNER RH		3G3	PIPE, WATER BY-PASS, NO.1		1K2
PILLAR, QUARTER LOCK, LH		3I3	PISTON SUB-ASSY, FRONT CLUTCH		2A2
PILLAR, QUARTER LOCK, RH		3I3	PISTON SUB-ASSY, OVERDRIVE DIRECT CLUTCH		2K1
PIN (FOR HIGH & LOW SHIFT ROD)		2G4	PISTON SUB-ASSY, REAR CLUTCH		2A2
PIN (FOR PUSH ROD)		2C8	PISTON SUB-ASSY, W/PIN		1A2
PIN (FOR STEERING TILT LEVER)		2B7	PISTON, ACCUMULATOR, NO.2		2B3
PIN KIT, FRONT SPRING		2H9	PISTON, BRAKE, NO.1		2D2
PIN KIT, REAR SPRING		2L9	PISTON, C-1 ACCUMULATOR		2B3
PIN, DIFFERENTIAL PINION SHAFT		2E5	PISTON, C-2 ACCUMULATOR		2C3
PIN, FRONT DIFFERENTIAL PINION SHAFT		2F6	PISTON, FRONT DISC BRAKE		2H8
PIN, FRONT DOOR CHECK		3K4	PISTON, OVERDRIVE BRAKE		2L1
PIN, GROOVED (FOR DETENT ROD)		2B1	PISTON, OVERDRIVE BRAKE ACCUMULATOR		2M2
PIN, LOCATING (FOR 3RD COAST SHIFT)		2F3	PISTON, 1ST & REVERSE BRAKE		2F2
PIN, REAR DOOR CHECK		3E5	PLATE & RETAINER SUB-ASSY, BOOSTER		2G8
PIN, RING (FOR CRANKSHAFT BEARING CAP SET)		1H1	PLATE & SEAL SUB-ASSY, BOOSTER		2G8
PIN, SHOE HOLD DOWN SPRING (FOR REAR BRAKE)		2K8	PLATE ASSY, FRONT DOOR LOCK STRIKER		3M4
PIN, SLOTTED SPRING (FOR MANUAL VALVE LEVER)		2J3	PLATE ASSY, REAR DOOR LOCK STRIKER		3G5
PIN, SLOTTED SPRING (FOR TRANSFER SHIFT FORK)		2F4	PLATE SUB-ASSY, BRAKE BACKING, REAR LH		2J8
PIN, STRAIGHT (FOR CLUTCH HOUSING SET)		1I1	PLATE SUB-ASSY, BRAKE BACKING, REAR RH		2J8
PIN, STRAIGHT (FOR CRANKSHAFT)		1A2	PLATE SUB-ASSY, COMBINATION METER CIRCUIT, NO.1		3D9
PIN, STRAIGHT (FOR CYLINDER HEAD SET)		1I1	PLATE SUB-ASSY, HORN BUTTON CONTACT, NO.1		2H7
PIN, STRAIGHT (FOR FRONT DRIVE SHIFT LINK LEVER)		2H4	PLATE SUB-ASSY, SHIFT LEVER		2A1
PIN, STRAIGHT (FOR LOCK UP RELAY VALVE SLEEVE)		2A3	PLATE SUB-ASSY, VALVE		3B12
PIN, STRAIGHT (FOR LOCK UP SIGNAL VALVE)		2M2	PLATE, AIR CLEANER CAUTION (FOR ENGINE MODEL)		1A4
PIN, STRAIGHT (FOR OUTER SHAFT FLANGE)		2K6	PLATE, AUTOMATIC TRANSMISSION CAUTION		3M6
PIN, STRAIGHT (FOR REAR AXLE HUB)		2I5	PLATE, BACK DOOR NAME, NO.2		3C7
PIN, STRAIGHT (FOR THROTTLE VALVE SLEEVE)		2D3	PLATE, BATTERY		3K8
PIN, STRAIGHT (FOR TRANSFER CASE)		2B4	PLATE, BATTERY CAUTION		3K8
PIN, STRAIGHT (FOR TRANSMISSION HOUSING ADA PTOR, FRONT)		2G1	PLATE, BOOSTER CENTER		2G8
PIN, STRAIGHT (FOR VANE PUMP CAM RING)		2E7	PLATE, BOOSTER DIAPHRAGM		2G8
PIN, STRAIGHT (FOR 1-2 SHIFT VALVE LOW PLUG)		2E3	PLATE, BRAKE		2D2
PIN, STRAIGHT (FOR 1-2 SHIFT VALVE)		2E3	PLATE, BRAKE (FOR OVERDRIVE)		2M1
PIN, STRAIGHT (FOR 2-3 SHIFT TIMING VALVE PLUG SLEEVE)		2C3	PLATE, BRAKE (FOR 1ST & REVERSE BRAKE)		2F2
PIN, STRAIGHT (FOR 2-3 SHIFT VALVE PLUG)		2D3	PLATE, BRAKE CUSHION		2F2
PIN, STRAIGHT (FOR 2-3 SHIFT VALVE)		2E3	PLATE, CAMSHAFT THRUST		1C2
PIN, STRAIGHT (FOR 3-4 SHIFT VALVE)		2G3	PLATE, CAUTION		2F5
PIN, STRAIGHT, NO.1		1F1	PLATE, CAUTION (FOR FUSE)		3H9
PIN, W/HOLE (FOR DIFFERENTIAL LOCK CABLE LINK)		2B6	PLATE, CAUTION, NO.2		3M11
PIN, W/HOLE (FOR DIFFERENTIAL LOCK LEVER)		2A6	PLATE, CLUTCH (FOR OVERDRIVE DIRECT CLUTCH)		2M1
PIN, W/HOLE (FOR FRONT DISC BRAKE ANTIRATTLE)		2I8	PLATE, CLUTCH CUSHION		2B2
PIN, W/HOLE (FOR PARKING BRAKE CABLE)		2B8	PLATE, CONTROL POSITION INDICATOR		2B1
PIN, W/HOLE (FOR REAR BRAKE)		2K8	PLATE, DECK BOARD		3G4
PINION, FRONT DIFFERENTIAL		2F6	PLATE, DISTANCE (FOR FRONT)		2I9
PINION, REAR DIFFERENTIAL		2D5	PLATE, EMISSION CONTROL INFORMATION		1A4
PIPE ASSY, EXHAUST, CENTER		1E3	PLATE, ENGINE NAME, NO.2		1A4
PIPE ASSY, EXHAUST, FRONT		1E3	PLATE, ENGINE SERVICE COVER CATCH		3K2
PIPE ASSY, TAIL		1E3	PLATE, ENGINE VACUUM HOSE INFORMATION		1A7
PIPE SUB-ASSY, AIR, NO.1		1M3	PLATE, FRONT CLUTCH		2B2
PIPE SUB-ASSY, EGR, NO.1		1M4	PLATE, FRONT CLUTCH ACCUMULATOR		2M2
PIPE SUB-ASSY, FUEL DELIVERY		1L4	PLATE, FRONT DOOR REGULATOR INSIDE HANDLE		3A5
PIPE SUB-ASSY, FUEL TANK INLET		3J7	PLATE, FRONT DOOR SCUFF, LH		3B3
PIPE SUB-ASSY, FUEL, NO.1		1L4	PLATE, FRONT DOOR SCUFF, RH		3B3
PIPE SUB-ASSY, FUEL, NO.2		1L4	PLATE, FRONT END		1J1

MARK & ABBREVIATION LIST

M13

MARK.ABBREVIATION	DEFINITION
TINTED TEMPERED	TINTED TEMPERED
TL	TINTED LAMINATED
TMC	TOYOTA MOTOR CORPORATION
TOKAI RIKA	MANUFACTURER
TOKIKO	MANUFACTURER
TOOL	TOOL
TOSHIBA	MANUFACTURER
TOUGO	MANUFACTURER
TOYO	MANUFACTURER
TOYODA GOSEI	MANUFACTURER
TOYODA KOUKI	MANUFACTURER
TRIM	TRIM
TT	TINTED TEMPERED
TURBO	TURBO
TVSV	THERMOSTATIC VACUUM SWITCHING VALVE
TVTV	THERMOSTATIC VACUUM TRANSMITTING VALVE
TWIN	TWIN
TYPE	TYPE
TZT	TINTED ZONE TEMPERED
U/S	UNDERSIZE
UNITED KINGDOM	UNITED KINGDOM
UP TO	UP TO
UPR	UPPER
URETHANE	URETHANE
V=	VOLTS
VACUUM	VACUUM
VCV	VACUUM CONTROL VALVE
VENEZUELA	VENEZUELA
VENTILATION	VENTILATION
VERTICAL	VERTICAL
VICTORIA	VICTORIA
VL	VINYL LEATHERETTE
VSV	VACUUM SWITCHING VALVE
VTV	VACUUM TRANSMITTING VALVE
W(.....)	WITH
W/...	WITH ...
W/C	WHEEL CYLINDER
W/O ...	WITHOUT ...
W/O(.....)	WITHOUT
W/T	WITH TUBE
W=	WATTS
WALK-IN	WALK-IN
WARNING	WARNING
WATER OUTLET	WATER OUTLET

MARK.ABBREVIATION	DEFINITION
WAX	WAX TYPE (OPENING TEMPERATURE - FULLY OPEN TEMPERATURE)
WD	WIRE DIAMETER
WEST GERMANY	WEST GERMANY
WHITE	WHITE
WINDOW	WINDOW
WINE	WINE
WIPER	WIPER
WSW	WHITE SIDE WALL TIRE
YAZAKI	MANUFACTURER
YELLOW	YELLOW
YOKOHAMA	MANUFACTURER
YUASA	MANUFACTURER
ZT	ZONE TEMPERED
1ST	FIRST
2ND	SECOND
2WD	2-WHEEL DRIVE
3RD	THIRD
4TH	FOURTH
4WD	4-WHEEL DRIVE
5TH	FIFTH

FIGURE NUMBER INDEX

M16

LOCATION	FIG. No.	SUMMARY	LOCATION	FIG. No.	SUMMARY	LOCATION	FIG. No.	SUMMARY
BODY GROUP			ELECTRICAL GROUP					
3A1	51-51	FRAME	3C6	71-51	SEAT & SEAT TRACK	3G10	85-05	HEADLAMP CLEANER
3C1	51-52	SUSPENSION CROSSMEMBER & UNDER COVER	3H6	71-52	SEAT BELT	3I10	85-11	DOOR MOTOR & DOOR SOLENOID
3D1	51-53	SPARE WHEEL CARRIER	3J6	74-51	ARMREST & VISOR	3J10	86-01	RADIO & TAPE PLAYER
3E1	52-51	CAB MOUNTING & BODY MOUNTING	3L6	74-54	BATTERY CARRIER	3L10	86-02	SPEAKER
3G1	52-52	FRONT BUMPER & BUMPER STAY	3M6	74-55	CAUTION PLATE	3A11	86-04	ANTENNA
3H1	52-53	REAR BUMPER & BUMPER STAY	3A7	74-56	ASH RECEPTACLE	3B11	86-11	HORN
3I1	53-51	RADIATOR GRILLE	3B7	75-51	EMBLEM & NAME PLATE	3C11	87-01	MIRROR
3J1	53-53	HOOD & FRONT FENDER	3D7	75-52	MOULDING	3E11	87-12	HEATING & AIR CONDITIONING - HEATER UNIT & BLOWER
3L1	53-54	HOOD LOCK & HINGE	3G7	75-54	TOOL BOX & LICENSE PLATE BRACKET	3G11	87-14	HEATING & AIR CONDITIONING - COOLER UNIT
3M1	53-55	FRONT FENDER APRON & DASH PANEL	3H7	77-51	FUEL TANK & TUBE	3I11	87-15	HEATING & AIR CONDITIONING - CONTROL & AIR DUCT
3B2	55-51	INSTRUMENT PANEL & GLOVE COMPARTMENT	3L7	78-51	ACCELERATOR LINK	3K11	87-16	HEATING & AIR CONDITIONING - WATER PIPING
3F2	55-53	COWL PANEL & WINDSHIELD GLASS	ELECTRICAL GROUP			3M11	87-18	HEATING & AIR CONDITIONING - COOLER PIPING
3H2	57-51	FLOOR MEMBER	3A8	81-01	HEADLAMP	3A12	87-19	HEATING & AIR CONDITIONING - COMPRESSOR
3I2	58-51	FRONT FLOOR PANEL & FRONT FLOOR MEMBER	3C8	81-03	FRONT TURN SIGNAL LAMP			
3L2	58-52	REAR FLOOR PANEL & REAR FLOOR MEMBER	3D8	81-04	FRONT CLEARANCE LAMP			
3A3	58-53	FLOOR INSULATOR	3E8	81-05	FRONT MARKER LAMP			
3B3	58-54	FLOOR MAT & SILENCER PAD	3F8	81-11	REAR COMBINATION LAMP			
3D3	58-55	CONSOLE BOX & BRACKET	3H8	81-13	REAR LICENSE PLATE LAMP			
3G3	61-51	SIDE MEMBER	3I8	81-14	REAR SIDE MARKER LAMP			
3K3	61-52	SIDE WINDOW	3J8	81-21	INTERIOR LAMP			
3L3	61-53	ROOF PANEL & BACK PANEL	3K8	82-01	BATTERY & BATTERY CABLE			
3A4	61-55	REAR VENTILATOR & ROOF VENTILATOR	3L8	82-02	WIRING & CLAMP			
3B4	64-51	INSIDE TRIM BOARD	3C9	83-01	METER			
3E4	64-52	ROOF HEADLINING & SILENCER PAD	3E9	83-02	INDICATOR			
3G4	64-55	DECK BOARD & DECK TRIM COVER	3F9	84-01	SWITCH & RELAY			
3H4	67-51	FRONT DOOR PANEL & GLASS	3L9	84-01	ELECTRONIC FUEL INJECTION SYSTEM			
3L4	67-53	FRONT DOOR LOCK & HANDLE	3A10	85-01	WINDSHIELD WIPER			
3A5	67-54	FRONT DOOR WINDOW REGULATOR & HINGE	3C10	85-02	REAR WIPER			
3C5	67-55	REAR DOOR PANEL & GLASS	3D10	85-03	WINDSHIELD WASHER			
3F5	67-56	REAR DOOR LOCK & HANDLE	3F10	85-04	REAR WASHER			
3H5	67-57	REAR DOOR WINDOW REGULATOR & HINGE						
3J5	67-61	BACK DOOR PANEL & GLASS						
3L5	67-62	BACK DOOR LOCK & HINGE						
3A6	67-65	LOCK CYLINDER SET						